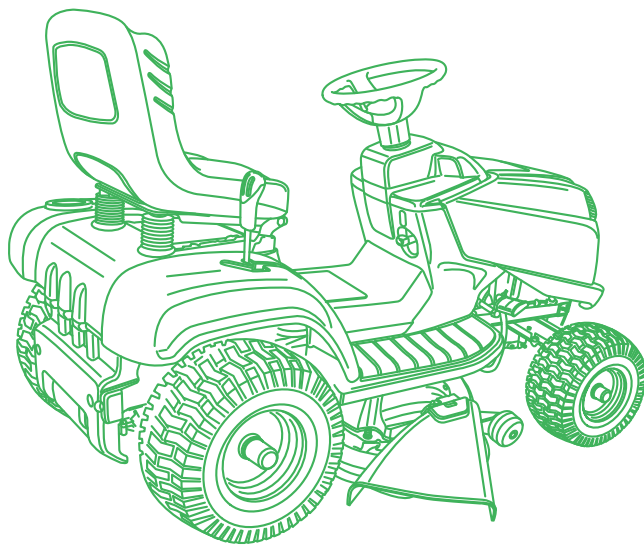


ILLUSTRATED PARTS LIST

SD 108 Hydro



- Use GLOBAL GARDEN PRODUCT Genuine Spare Parts specified in the parts list for repair and/or replacement.
- The contents described in the parts list may change due to improvement.
- The drawings of the spare parts are only indicative and might not represent the part in question exactly.
- The indications "right" - "left" - "front" - "rear" refer to the position of the operator when using the machine.
- When placing orders of parts for repair and/or replacement, make sure that the illustrated parts list is the one applying to the machine's year of manufacture, as shown on the identification plate attached to the machine.

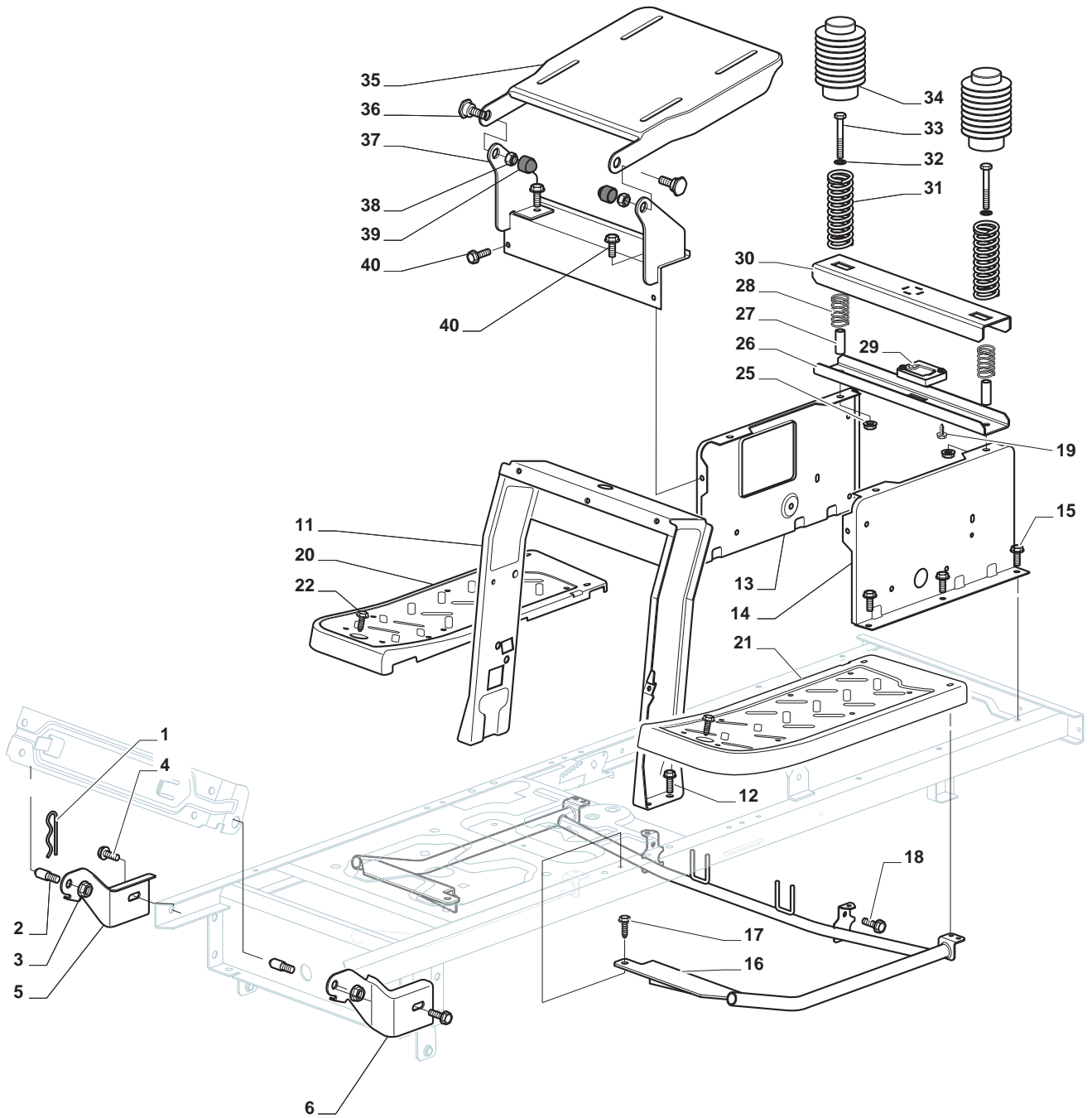
© Copyright 2014 Global Garden Products

All content is subject to copyright by Global Garden Products and may not be reproduced in whole or in part by any means, electronic or otherwise, without prior written approval.

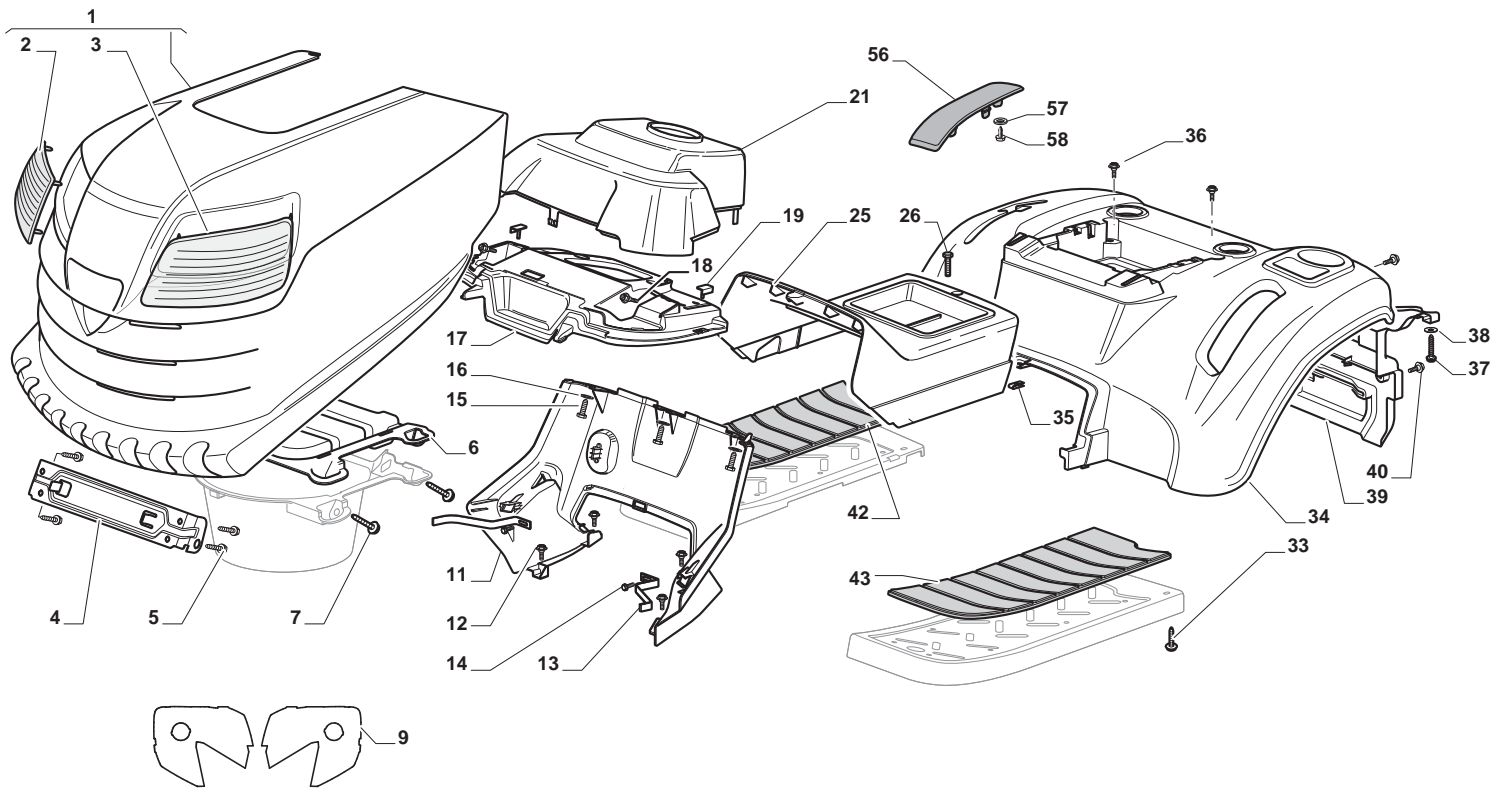
THIS INFORMATION IS NOT INTENDED FOR SALE OR RESALE, AND THIS NOTICE MUST REMAIN ON ALL COPIES.



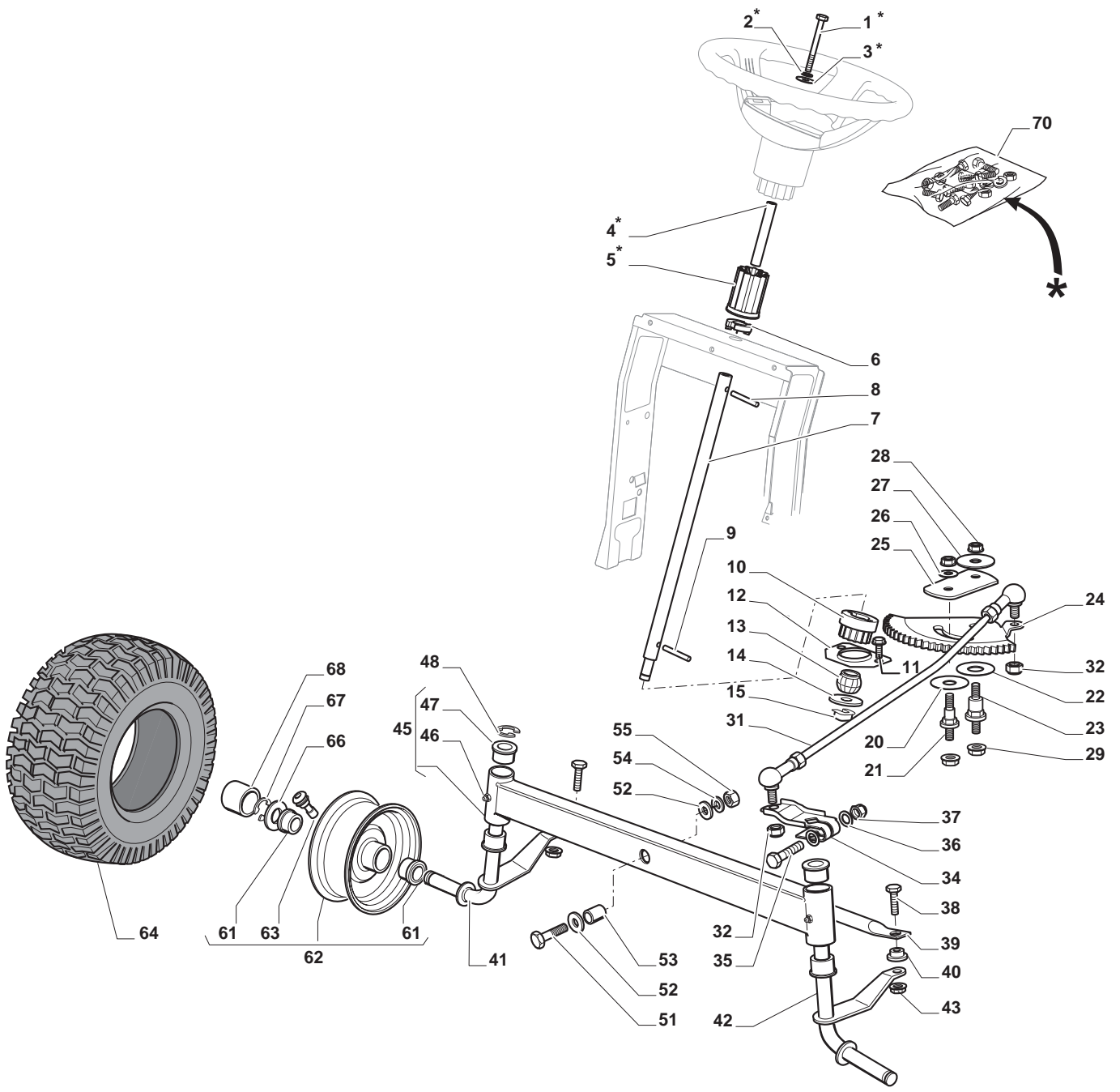
GLOBAL GARDEN PRODUCTS



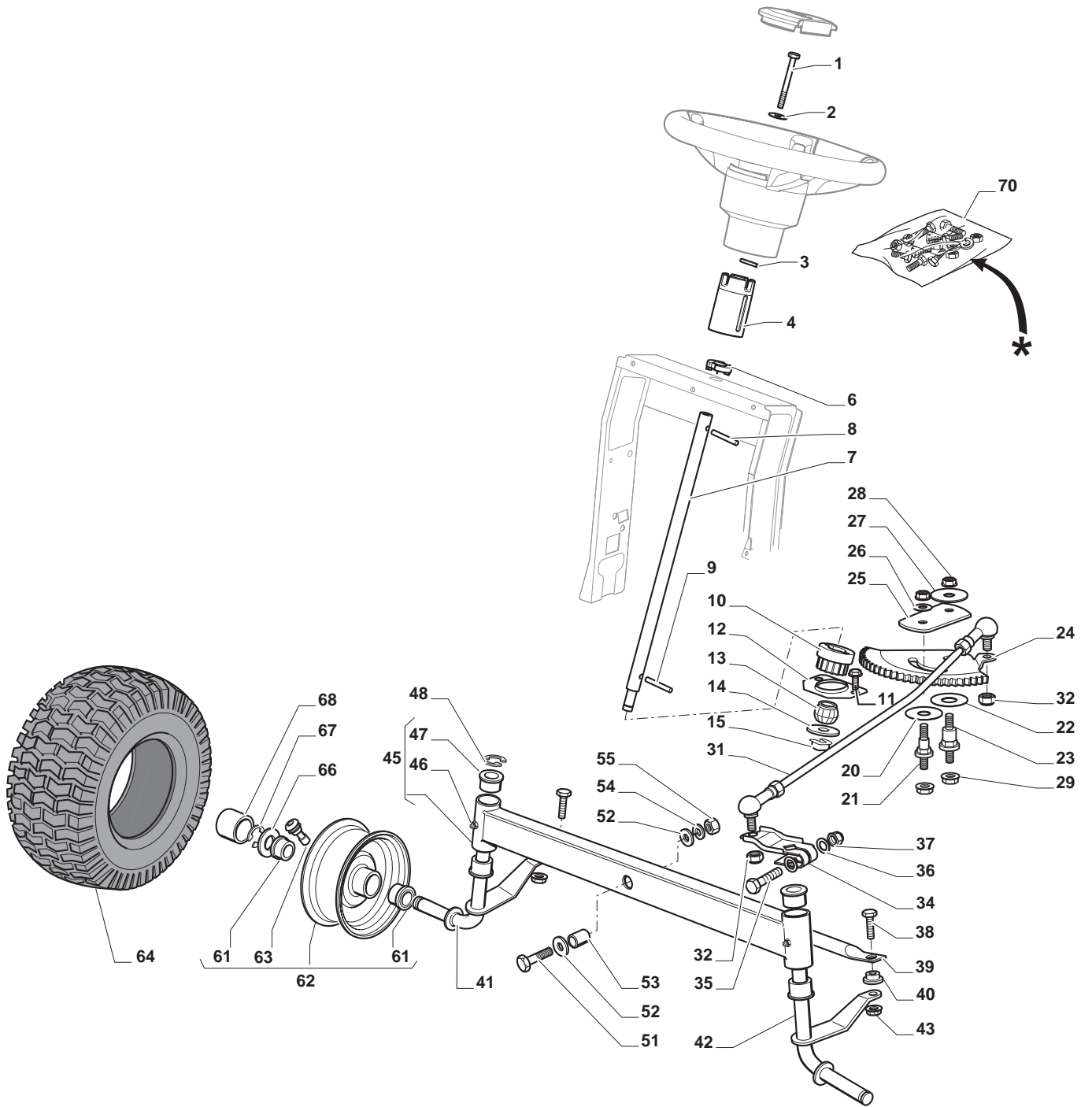
| Chassis | | | | | | | |
|---------|-------------|------|-------------------------|--------------------------|---------------------------|---------------------|-------|
| POS | CODE | Q.TY | DESCRIPTION | DESCRIZIONE | DESCRIPTION | BESCHREIBUNG | NOTES |
| 1 | 124487998/0 | 1 | Cotter Pin | Copiglia | Goupille | Split | |
| 2 | 125510079/1 | 2 | Pin | Perno | Pivot | Bolzen | |
| 3 | 112155000/0 | 2 | Nut | Dado | Ecrou | Nuss | |
| 4 | 112735599/0 | 2 | Screw | Vite | Vis | Schraube | |
| 5 | 325547225/0 | 1 | Right Plate | Piastrina Destra | Plaquette Droit | Rechte Plättchen | |
| 6 | 325547227/0 | 1 | Left Plate | Piastrina Sinistra | Plaquette Gauche | Linke Platte | |
| 11 | 382785169/1 | 1 | Steering Column Support | Supporto Piantone | Support Tube De Direction | Lenkungsaeulehalter | |
| 12 | 125943009/0 | 4 | Screw | Vite | Vis | Schraube | |
| 13 | 325785331/1 | 1 | Right Seat Support | Supporto Sedile Destro | Support Siege Droit | Rechte Sitzhalter | |
| 14 | 325785333/1 | 1 | Left Seat Support | Supporto Sedile Sinistro | Support Siege Gauche | Linke Sitzhalter | |
| 15 | 125943009/0 | 6 | Screw | Vite | Vis | Schraube | |
| 16 | 382785179/0 | 1 | Footboard Support | Supporto Pedana | Marchepied Support | Fussbretthalter | |
| 17 | 125943009/0 | 2 | Screw | Vite | Vis | Schraube | |
| 18 | 125943009/0 | 2 | Screw | Vite | Vis | Schraube | |
| 19 | 112728686/0 | 2 | Screw | Vite | Vis | Schraube | |
| 20 | 325500041/1 | 1 | Right Footboard | Pedana Destra | Marchepied Droit | Rechte Fussbrett | |
| 21 | 325500043/1 | 1 | Left Footboard | Pedana Sinistra | Marchepied Gauche | Linke Fussbrett | |
| 22 | 112735599/0 | 2 | Screw | Vite | Vis | Schraube | |
| 25 | 112293201/0 | 2 | Nut | Dado | Ecrou | Nuss | |
| 26 | 325820109/1 | 1 | Seat Support | Supporto Sedile | Support Siege | Sitzhalter | |
| 27 | 125160048/0 | 2 | Spacer | Distanziale | Entretoise | Distanzring | |
| 28 | 125430263/0 | 2 | Spring | Molla | Ressort | Feder | |
| 29 | 325785379/1 | 1 | Support | Supporto | Support | Halter | |
| 30 | 325820111/1 | 1 | Support | Supporto | Support | Halter | |
| 31 | 125430264/0 | 2 | Spring | Molla | Ressort | Feder | |
| 32 | 112521350/0 | 2 | Washer | Rondella | Rondelle | Scheibe | |
| 33 | 112691400/0 | 2 | Screw | Vite | Vis | Schraube | |
| 34 | 325122002/0 | 2 | Hood | Cuffia | Protecteur | Schutzkasten | |
| 35 | 382547061/0 | 1 | Plate | Plate | Plate | Plate | |
| 36 | 122524970/2 | 2 | Fulcrum Pin | Perno Fulcro | Pivot | Gelenkpunkt | |
| 37 | 382820151/0 | 1 | Seat Support | Supporto Sedile | Support Siege | Sitzhalter | |
| 38 | 112155010/0 | 2 | Nut | Dado | Ecrou | Nuss | |
| 39 | 118203854/0 | 2 | Screw | Vite | Vis | Schraube | |
| 40 | 125943009/0 | 4 | Screw | Vite | Vis | Schraube | |



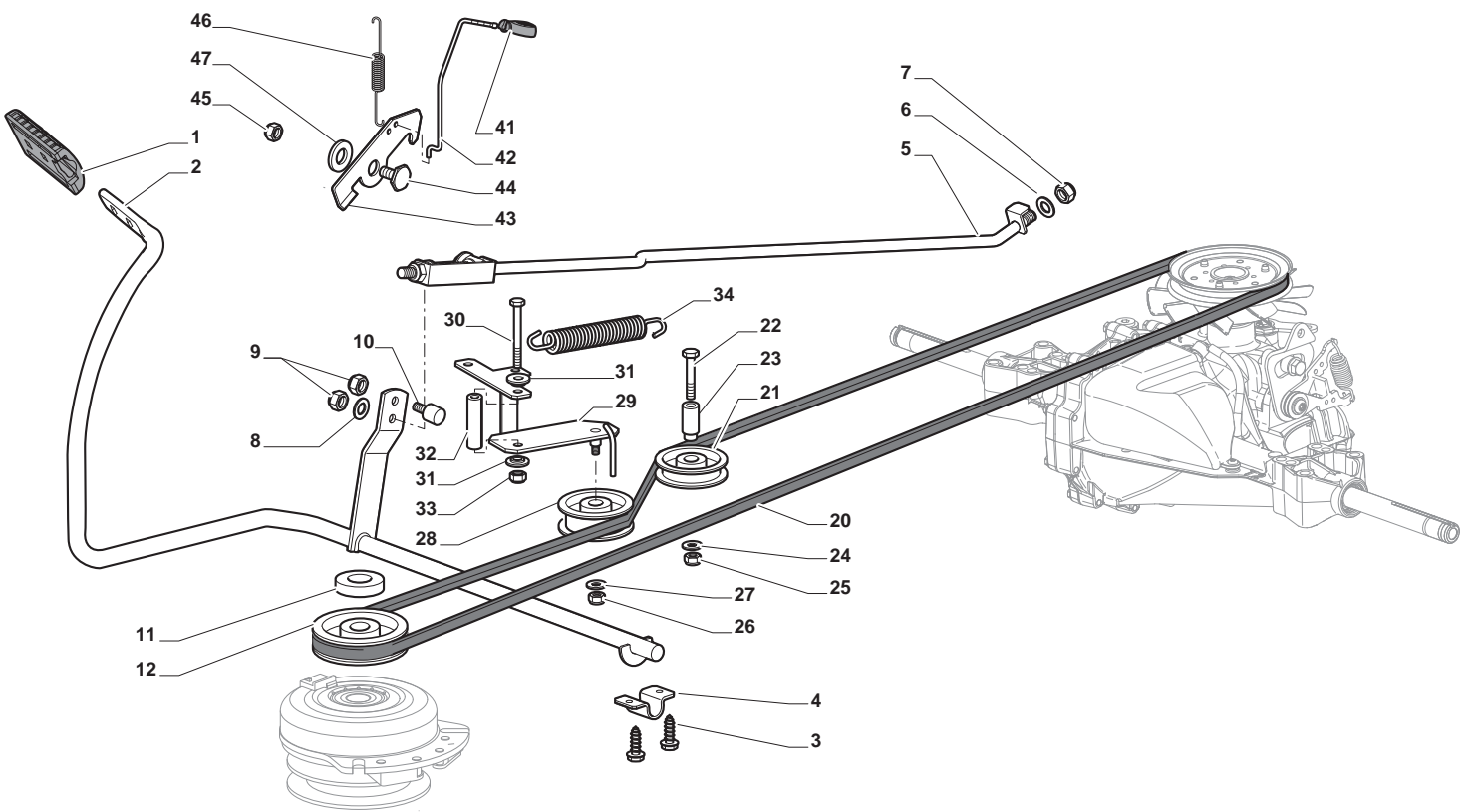
| Body | | | | | | | |
|------|-------------|------|-----------------------|------------------------|--------------------------|------------------------|-------|
| POS | CODE | Q.TY | DESCRIPTION | DESCRIZIONE | DESCRIPTION | BESCHREIBUNG | NOTES |
| 1 | 325076899/0 | 1 | Engine Hood Black | Cofano Nero | Capot Noir | Haubesatz Schwarz | |
| 1 | 325076916/0 | 1 | Engine Hood White | Cofano Bianco | Capot Blanc | Haubesatz Weiß | |
| 1 | 382076954/0 | 1 | Engine Hood Red | Cofano Rosso | Capot Rouge | Haubesatz Rot | |
| 1 | 382076955/0 | 1 | Engine Hood Yellow | Cofano Giallo | Capot Jaune | Haubesatz Gelb | |
| 1 | 382076958/0 | 1 | Engine Hood Grey | Cofano Grigio | Capot Gris | Haubesatz Grau | |
| 2 | 325410887/0 | 1 | Right Grill | Mascherina Destra | Protection, Droit | Rechte Schutz | |
| 3 | 325410888/0 | 1 | Left Grill | Mascherina Sinistra | Protection, Gauche | Linke Schutz | |
| 4 | 325785317/0 | 1 | Engine Hood Support | Supporto Cofano | Support Capot | Haubehalter | |
| 5 | 112735403/0 | 4 | Screw | Vite | Vis | Schraube | |
| 6 | 325263302/1 | 1 | Air Intake Grill | Griglia Aspirazione | Grille D'Aspiration | Ansauggitter | |
| 7 | 112728692/0 | 4 | Screw | Vite | Vis | Schraube | |
| 9 | 114363452/0 | 1 | Label | Etichetta | Etiquette | Etikett | |
| 11 | 325785298/0 | 1 | Dashboard Support | Supporto Cruscotto | Support Tableau Comm. | Konsolehalter | |
| 12 | 125943010/0 | 4 | Screw | Vite | Vis | Schraube | |
| 13 | 325270325/0 | 2 | Guide | Guida | Guide | Führung | |
| 14 | 112735124/0 | 2 | Screw | Vite | Vis | Schraube | |
| 15 | 112735406/0 | 3 | Screw | Vite | Vis | Schraube | |
| 16 | 112523040/0 | 3 | Washer | Rondella | Rondelle | Scheibe | |
| 17 | 325120209/0 | 1 | Dashboard | Cruscotto | Console | Konsole | |
| 18 | 125943010/0 | 2 | Screw | Vite | Vis | Schraube | |
| 19 | 325260003/0 | 2 | Grommet | Gommino | Caoutchouc | Gummi | |
| 21 | 325120203/0 | 1 | Cover | Coperchio | Couvercle | Deckel | |
| 25 | 325110383/1 | 1 | Cover, Red | Capottina Rossa | Capot Rouge | Haube Rot | |
| 25 | 325110396/1 | 1 | Cover, Yellow | Capottina, Giallo | Capot, Jaune | Haube, Gelb | |
| 25 | 325110397/1 | 1 | Cover, Black | Coperchio Nero | Couvercle Noir | Deckel, schwarz | |
| 25 | 325110398/1 | 1 | Cover, Grey | Coperchio Grigio | Deckel Grau | Couvercle Gris | |
| 25 | 325110423/0 | 1 | Cover, White | Copertura, Bianco | Couvre, Blanc | Kappe, Weiß | |
| 26 | 125943010/0 | 1 | Screw | Vite | Vis | Schraube | |
| 33 | 112735406/0 | 4 | Screw | Vite | Vis | Schraube | |
| 34 | 325110382/0 | 1 | Red Wheels Cover | Copertura Ruote Rosso | Couvre Roues Rouge | Radenkappe Rot | |
| 34 | 325110399/0 | 1 | Yellow Wheels Cover | Copertura Ruote Giallo | Couvre Roues Jaune | Radenkappe Gelb | |
| 34 | 325110400/0 | 1 | Black Wheels Cover | Copertura Ruote Nero | Couvre-Roues Noir | Radenkappe Schwarz | |
| 34 | 325110401/0 | 1 | Grey Wheels Cover | Copertura Ruote Grigio | Couvre-Bac, Gris | Radenkappe Grau | |
| 34 | 325110422/0 | 1 | White Wheels Cover | Copertura Ruote Bianco | Couvre-Roues Blanc | Radenkappe Weiß | |
| 35 | 112437506/0 | 1 | Plate | Piastrina | Plaquette | Plättchen | |
| 36 | 125943010/0 | 2 | Screw | Vite | Vis | Schraube | |
| 37 | 112735406/0 | 2 | Screw | Vite | Vis | Schraube | |
| 38 | 112523040/0 | 2 | Washer | Rondella | Rondelle | Scheibe | |
| 39 | 325547208/2 | 1 | Plate | Piastrina | Plaquette | Plättchen | |
| 40 | 125943010/0 | 2 | Screw | Vite | Vis | Schraube | |
| 42 | 325110384/0 | 1 | Right Footboard Cover | Copripedana Destra | Couvre Marchepied Droit | Rechte Fussbrettdeckel | |
| 43 | 325110385/0 | 1 | Left Footboard Cover | Copripedana Sinistra | Couvre Marchepied Gauche | Linke Fussbrettdeckel | |
| 56 | 325207190/0 | 1 | Cover | Coperchio | Couvercle | Deckel | |
| 57 | 112523050/0 | 4 | Washer | Rondella | Rondelle | Scheibe | |
| 58 | 112735403/0 | 2 | Screw | Vite | Vis | Schraube | |



| Steering | | | | | | | |
|----------|-------------|------|------------------------------------|--|--------------------------------------|-------------------------------------|-------|
| POS | CODE | Q.TY | DESCRIPTION | DESCRIZIONE | DESCRIPTION | BESCHREIBUNG | NOTES |
| 1 | 112692050/0 | 1 | Screw | Vite | Vis | Schraube | |
| 2 | 112540260/0 | 1 | Grower | Grower | Grower | Federring | |
| 3 | 112523070/0 | 1 | Washer | Rosetta | Rondelle | Scheibe | |
| 4 | 125160047/0 | 1 | Spacer | Distanziale | Entretoise | Distanzring | |
| 5 | 325785318/0 | 1 | Support | Supporto | Support | Halter | |
| 6 | 325038008/0 | 1 | Bushing | Bushing | Bushing | Bushing | |
| 7 | 125520007/0 | 1 | Steering Column | Piantone Sterzo | Tube De Direction | Lenkungsaeule | |
| 8 | 112620300/0 | 1 | Pin | Perno | Pivot | Bolzen | |
| 9 | 112622650/0 | 1 | Pin | Perno | Pivot | Bolzen | |
| 10 | 125570003/0 | 1 | Pinion | Pignone | Pignon | Ritzel | |
| 11 | 127943051/0 | 2 | Screw | Vite | Vis | Schraube | |
| 12 | 325785213/1 | 1 | Support | Supporto | Support | Halter | |
| 13 | 325743000/0 | 1 | Joint Tc/Junior | Snodo | Joint | Gelenk | |
| 14 | 112521370/0 | 1 | Washer | Rosetta | Rondelle | Scheibe | |
| 15 | 112436030/0 | 1 | Plate | Piastra | Plaque | Platte | |
| 20 | 322672151/0 | 1 | Antifriction Washer | Rondella Antifrizione | Rondelle Antifriccion | Anti Friktionswäscher | |
| 21 | 125510104/0 | 1 | Pin | Perno | Pivot | Bolzen | |
| 22 | 125670023/0 | 1 | Washer | Rosetta | Rondelle | Scheibe | |
| 23 | 125510109/0 | 1 | Pin | Perno | Pivot | Bolzen | |
| 24 | 325735519/0 | 1 | Steering Shaft | Settore Sterzo | Secteur Direction | Lenkkranz | |
| 25 | 325547233/0 | 1 | Plate | Piastra | Plaque | Platte | |
| 26 | 112369500/0 | 1 | Elastic Washer | Disco Elastico | Disque Elastique | Federscheibe | |
| 27 | 122160400/0 | 1 | Elastic Washer | Disco Elastico | Disque Elastique | Federscheibe | |
| 28 | 112155010/0 | 2 | Nut | Dado | Ecrou | Mutter | |
| 29 | 112155010/0 | 2 | Nut | Dado | Ecrou | Mutter | |
| 31 | 382000566/2 | 1 | Steering Rod | Asta Comando Sterzo | Levier Barre De Direction | Lenkungsstab | |
| 32 | 112156602/0 | 2 | Nut | Dado | Ecrou | Mutter | |
| 34 | 325318243/0 | 1 | Lever | Leva | Levier | Hebel | |
| 35 | 112692390/0 | 1 | Screw | Vite | Vis | Schraube | |
| 36 | 112521360/0 | 2 | Washer | Rosetta | Rondelle | Scheibe | |
| 37 | 112156602/0 | 1 | Nut | Dado | Ecrou | Mutter | |
| 38 | 125510103/0 | 2 | Pin | Perno | Pivot | Bolzen | |
| 39 | 325840029/0 | 1 | Tie Rod | Tirante | Tirant | Spannstange | |
| 40 | 325038007/0 | 2 | Bushing | Bussola | Douille | Büchse | |
| 41 | 382230369/0 | 1 | Right Stub Axle | Fusello Destro | Fuseau Droit | Rechter Achsschenkel | 13" |
| 41 | 382230373/0 | 1 | Right Stub Axle | Fusello Destro | Fuseau Droit | Rechter Achsschenkel | 15" |
| 42 | 382230371/0 | 1 | Left Stub Axle | Fusello Sinistro | Fuseau Gauche | Linker Achsschenkel | 13" |
| 42 | 382230375/0 | 1 | Left Stub Axle | Fusello Sinistro | Fuseau Gauche | Linker Achsschenkel | 15" |
| 43 | 112155000/0 | 2 | Nut | Dado | Ecrou | Mutter | |
| 45 | 382034030/0 | 1 | Equalizer With Bush And Lubricator | Bilanciere Con Boccola Ed Ingrassatore | Balancier Avec Douillie Et Graisseur | Kipphebel Mit Büchse Und Fettbüchse | |
| 46 | 112379511/0 | 2 | Grease Dispenser | Ingrassatore | Graisseur | Fettbüchse | |
| 47 | 125034002/1 | 4 | Bush | Bussola | Douille | Büchse | |
| 48 | 112001010/0 | 1 | Benzing Ring | Anello Benzing | Anneau Benzing | Ring Benzing | |
| 51 | 112692695/0 | 1 | Screw | Vite | Vis | Schraube | |
| 52 | 112523100/0 | 2 | Washer | Rosetta | Rondelle | Scheibe | |
| 53 | 125160016/0 | 1 | Equalizer Spacer | Distanziale | Entretoise | Distanzring | |
| 54 | 112587100/0 | 1 | Grower | Grower | Grower | Federring | |
| 55 | 112295300/0 | 1 | Hexagonal Nut | Dado | Ecrou | Mutter | |
| 61 | 125122200/2 | 4 | Bearing | Cuscinetto | Roul. À Billes | Kugellager | |
| 62 | 182000598/0 | 2 | Rimm | Cerchio Ruota | Bandage Roue | Vorderrad Felger | |
| 63 | 125950000/0 | 2 | Valve | Valvola | Vanne | Ventil | |
| 64 | 125590014/0 | 2 | Tyre | Pneumatico | Pneu | Reifen | 13" |
| 64 | 127590066/0 | 2 | Tyre | Pneumatico | Pneu | Reifen | 15" |
| 66 | 125670005/1 | 2 | Washer | Rosetta | Rondelle | Scheibe | |
| 67 | 112001010/0 | 2 | Benzing Ring | Anello Benzing | Anneau Benzing | Ring Benzing | |
| 68 | 322110233/0 | 2 | Hub Cap Grey | Coprimotozzo Grigio | Couvre-Moyeu Gris | Radkappe Grau | |
| 70 | 382180124/0 | 1 | Screw | Vite | Vis | Schraube | |

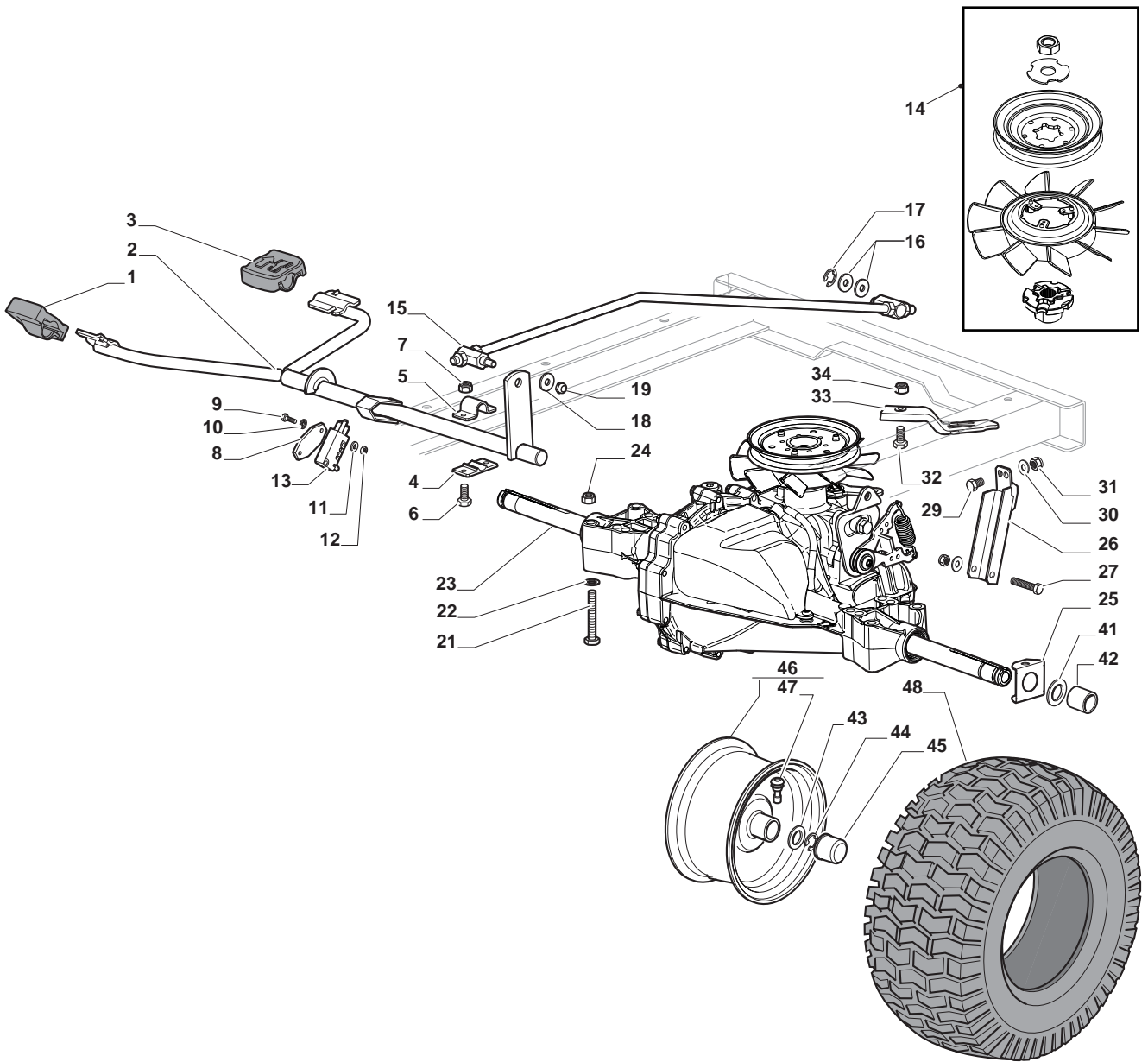


| Steering | | | | | | | for STIGA models |
|----------|-------------|------|----------------------------------|--|-------------------------------------|-------------------------------------|------------------|
| POS | CODE | Q.TY | DESCRIPTION | DESCRIZIONE | DESCRIPTION | BESCHREIBUNG | NOTES |
| 1 | 112692050/0 | 1 | Screw | Vite | Vis | Schraube | |
| 2 | 112540260/0 | 1 | Washer | Rondella | Rondelle | Scheibe | |
| 3 | 112523070/0 | 1 | Pin | Spina | Ressort | Stift | |
| 4 | 382785266/0 | 1 | Support | Supporto | Support | Halter | |
| 6 | 325038008/0 | 1 | Bushing | Boccola | Douille | Büchse | |
| 7 | 125520007/0 | 1 | Steering Column | Piantone Sterzo | Tube De Direction | Lenkungsaeule | |
| 8 | 112620300/0 | 1 | Pin | Spina | Ressort | Stift | |
| 9 | 112622650/0 | 1 | Pin | Spina | Goupille | Stift | |
| 10 | 125570003/0 | 1 | Pinion | Pignone | Pignon | Ritzel | |
| 11 | 127943051/0 | 2 | Screw | Vite | Vis | Schraube | |
| 12 | 325785213/1 | 1 | Support | Supporto | Support | Halter | |
| 13 | 325743000/0 | 1 | Joint Tc/Junior | Snodo | Joint | Gelenk | |
| 14 | 112521370/0 | 1 | Washer | Rondella | Rondelle | Scheibe | |
| 15 | 112436030/0 | 1 | Plate | Piastrina | Plaquette | Plattechen | |
| 20 | 322672151/0 | 1 | Antifriction Washer | Rondella Antifrizione | Rondelle Antifriction | Anti Friktionswäscher | |
| 21 | 125510104/0 | 1 | Pin | Perno | Pivot | Bolzen | |
| 22 | 125670023/0 | 1 | Washer | Rondella | Rondelle | Scheibe | |
| 23 | 125510109/0 | 1 | Pin | Perno | Pivot | Bolzen | |
| 24 | 325735519/0 | 1 | Steering Shaft | Settore Sterzo | Secteur Direction | Lenkkranz | |
| 25 | 325547233/0 | 1 | Plate | Piastrina | Plaquette | Plättchen | |
| 26 | 112369500/0 | 1 | Elastic Washer | Disco Elastico | Disque Elastique | Federscheibe | |
| 27 | 122160400/0 | 1 | Elastic Washer | Disco Elastico | Disque Elastique | Federscheibe | |
| 28 | 112155010/0 | 2 | Nut | Dado | Écrou | Mutter | |
| 29 | 112155010/0 | 2 | Nut | Dado | Écrou | Mutter | |
| 31 | 382000566/2 | 1 | Rod | Asta | Tige | Stange | |
| 32 | 112156602/0 | 2 | Nut | Dado | Écrou | Mutter | |
| 34 | 325318243/0 | 1 | Lever | Leva | Levier | Hebel | |
| 35 | 112692390/0 | 1 | Screw | Vite | Vis | Schraube | |
| 36 | 112521360/0 | 2 | Washer | Rondella | Rondelle | Scheibe | |
| 37 | 112156602/0 | 1 | Nut | Dado | Écrou | Mutter | |
| 38 | 125510103/0 | 2 | Pin | Perno | Pivot | Bolzen | |
| 39 | 325840029/0 | 1 | Tie Rod | Tirante | Tirant | Spannstange | |
| 40 | 325038007/0 | 2 | Bushing | Boccola | Douille | Büchse | |
| 41 | 382230369/0 | 1 | Right Stub Axle | Fusello Destro | Fuseau Droit | Rechter Achsschenkel | 13" |
| 41 | 382230373/0 | 1 | Right Stub Axle | Fusello Destro | Fuseau Droit | Rechter Achsschenkel | 15" |
| 42 | 382230371/0 | 1 | Left Stub Axle | Fusello Sinistro | Fuseau Gauche | Linker Achsschenkel | 13" |
| 42 | 382230375/0 | 1 | Left Stub Axle | Fusello Sinistro | Fuseau Gauche | Linker Achsschenkel | 15" |
| 43 | 112155000/0 | 2 | Nut | Dado | Écrou | Mutter | |
| 45 | 382034030/0 | 1 | Equalizer W/ Bush And Lubricator | Bilanciere Con Boccola Ed Ingrassatore | Balancier Avec Douille Et Graisseur | Kipphebel Mit Büchse Und Fettbüchse | |
| 46 | 112379511/0 | 2 | Grease Dispenser | Ingrassatore | Graisseur | Fettbüchse | |
| 47 | 125034002/1 | 4 | Bush | Boccola | Douille | Büchse | |
| 48 | 112001010/0 | 1 | Benzing Ring | Anello Benzing | Anneau Benzing | Ring Benzing | |
| 51 | 112692695/0 | 1 | Screw | Vite | Vis | Schraube | |
| 52 | 112523100/0 | 2 | Washer | Rondella | Rondelle | Scheibe | |
| 53 | 125160016/0 | 1 | Equalizer Spacer | Distanziale | Entretoise | Entfernungsstück | |
| 54 | 112587100/0 | 1 | Grower | Grower | Grower | Grower | |
| 55 | 112295300/0 | 1 | Nut | Dado | Ecrou | Mutter | |
| 61 | 125122200/2 | 4 | Bearing | Cuscinetto | Roulement | Lager | |
| 62 | 182000598/0 | 2 | Rimm | Cerchio Ruota | Bandage Roue | Vorderrad Felger | |
| 63 | 125950000/0 | 2 | Valve | Valvola | Soupape | Ventil | |
| 64 | 125590014/0 | 2 | Tyre | Pneumatico | Pneu | Reifen | 13" |
| 64 | 127590066/0 | 2 | Tyre | Pneumatico | Pneu | Reifen | 15" |
| 66 | 125670005/1 | 2 | Washer | Rosetta | Rondelle | Scheibe | |
| 67 | 112001010/0 | 2 | Benzing Ring | Anello Benzing | Anneau Benzing | Ring Benzing | |
| 68 | 322110239/0 | 2 | Hub Cover | Coprizzo | Couvre-Moyeu Noir | Nabedeckel | Stiga Style |
| 70 | 382180124/0 | 1 | Screw | Vite | Vis | Schraube | |

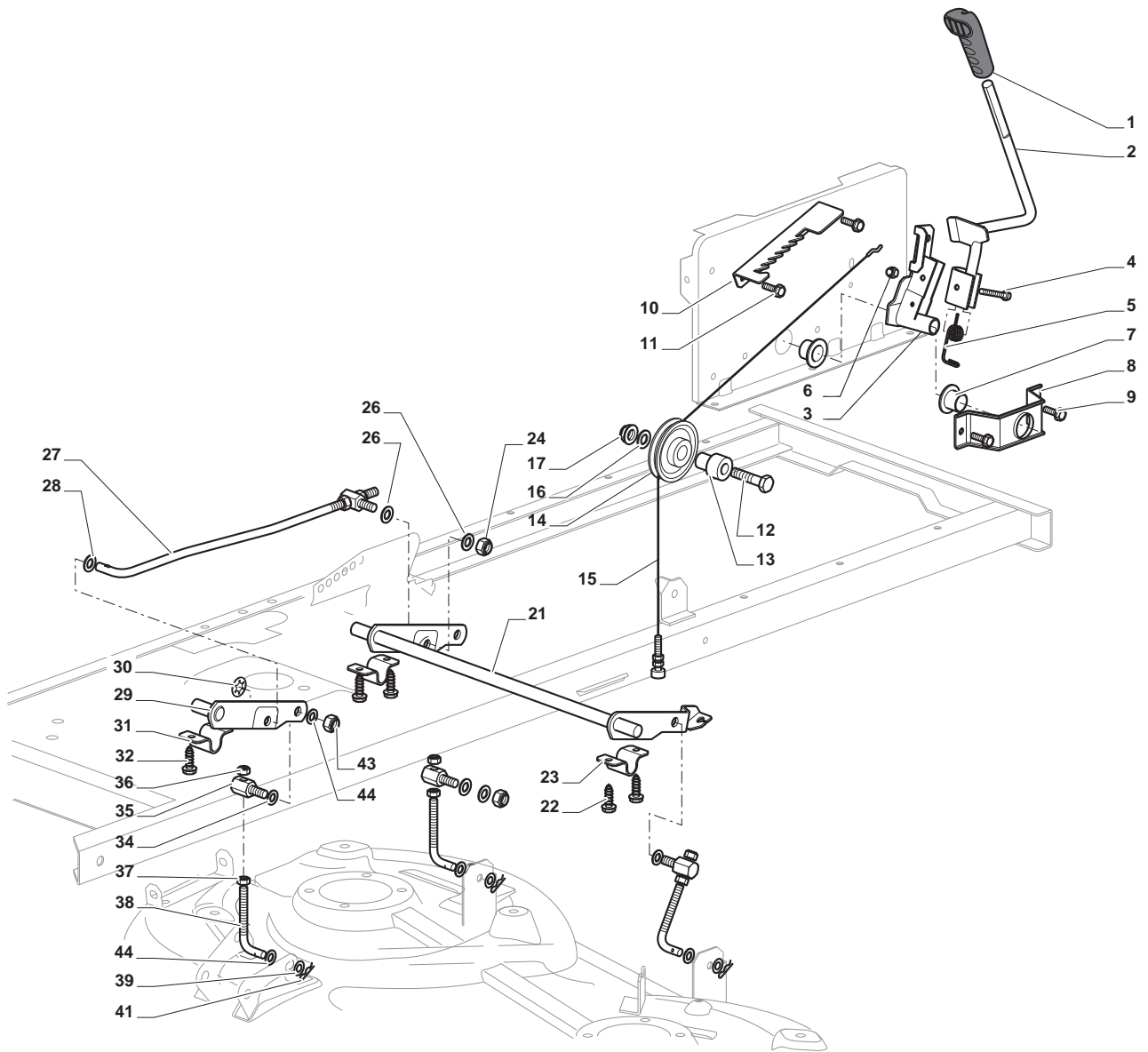


Brake And Gearbox Controls HYDRO-GEAR

| POS | CODE | Q.TY | DESCRIPTION | DESCRIZIONE | DESCRIPTION | BESCHREIBUNG | NOTES |
|-----|-------------|------|---------------------|-----------------------|-----------------------|-----------------------|-------|
| 1 | 325110409/0 | 1 | Clamp Cover | Copristaffa | Couvre Etrier | Bridedeckel | |
| 2 | 382000575/0 | 1 | Pedal | Pedale | Pedal | Pedal | |
| 3 | 112735599/0 | 4 | Screw | Vite | Vis | Schraube | |
| 4 | 325547231/0 | 2 | Plate | Piastra | Plaque | Platte | |
| 5 | 382000576/0 | 1 | Rod | Asta | Tige | Stange | |
| 6 | 112521360/0 | 1 | Washer | Rosetta | Rondelle | Scheibe | |
| 7 | 112156602/0 | 1 | Nut | Dado | Ecrou | Mutter | |
| 8 | 325670011/0 | 1 | Antifriction Washer | Rondella Antifrizione | Rondelle Antifriction | Anti Friktionswäscher | |
| 9 | 112155000/0 | 2 | Nut | Dado | Ecrou | Mutter | |
| 10 | 125510116/0 | 1 | Pin | Perno | Pivot | Bolzen | |
| 11 | 125160021/0 | 1 | Spacer | Distanziale | Entretoise | Distanzring | |
| 12 | 125601577/0 | 1 | Pulley | Puleggia | Poulie | Riemenscheibe | |
| 20 | 135062003/1 | 1 | Belt | Cinghia | Courroie | Riemen | |
| 21 | 325601599/0 | 1 | Pulley | Puleggia | Poulie | Riemenscheibe | |
| 22 | 112691400/0 | 1 | Screw | Vite | Vis | Schraube | |
| 23 | 125160083/0 | 1 | Spacer | Distanziale | Entretoise | Distanzring | |
| 24 | 112523060/0 | 1 | Washer | Rosetta | Rondelle | Scheibe | |
| 25 | 112155000/0 | 1 | Nut | Dado | Ecrou | Mutter | |
| 26 | 112155000/0 | 1 | Nut | Dado | Ecrou | Mutter | |
| 27 | 112523060/0 | 1 | Washer | Rosetta | Rondelle | Scheibe | |
| 28 | 125601554/0 | 1 | Pulley | Puleggia | Poulie | Riemenscheibe | |
| 29 | 382318245/1 | 1 | Lever | Leva | Levier | Hebel | |
| 30 | 112691600/0 | 1 | Screw | Vite | Vis | Schraube | |
| 31 | 125038002/1 | 2 | Bush | Bussola | Douille | Büchse | |
| 32 | 125160027/0 | 1 | Spacer | Distanziale | Entretoise | Distanzring | |
| 33 | 112155000/0 | 1 | Nut | Dado | Ecrou | Mutter | |
| 34 | 125430262/0 | 1 | Spring | Molla | Ressort | Feder | |
| 41 | 125394509/1 | 1 | Knob | Manopola | Poignee | Knopf | |
| 42 | 125033113/0 | 1 | Rod | Asta | Tige | Stange | |
| 43 | 325253011/1 | 1 | Hook | Gancio | Accrochage | Haken | |
| 44 | 122524970/2 | 1 | Fulcrum Pin | Perno Fulcro | Pivot | Gelenkpunkt | |
| 45 | 112155000/0 | 1 | Nut | Dado | Ecrou | Mutter | |
| 46 | 125430213/0 | 1 | Spring | Molla | Ressort | Feder | |
| 47 | 112523060/0 | 1 | Washer | Rosetta | Rondelle | Scheibe | |

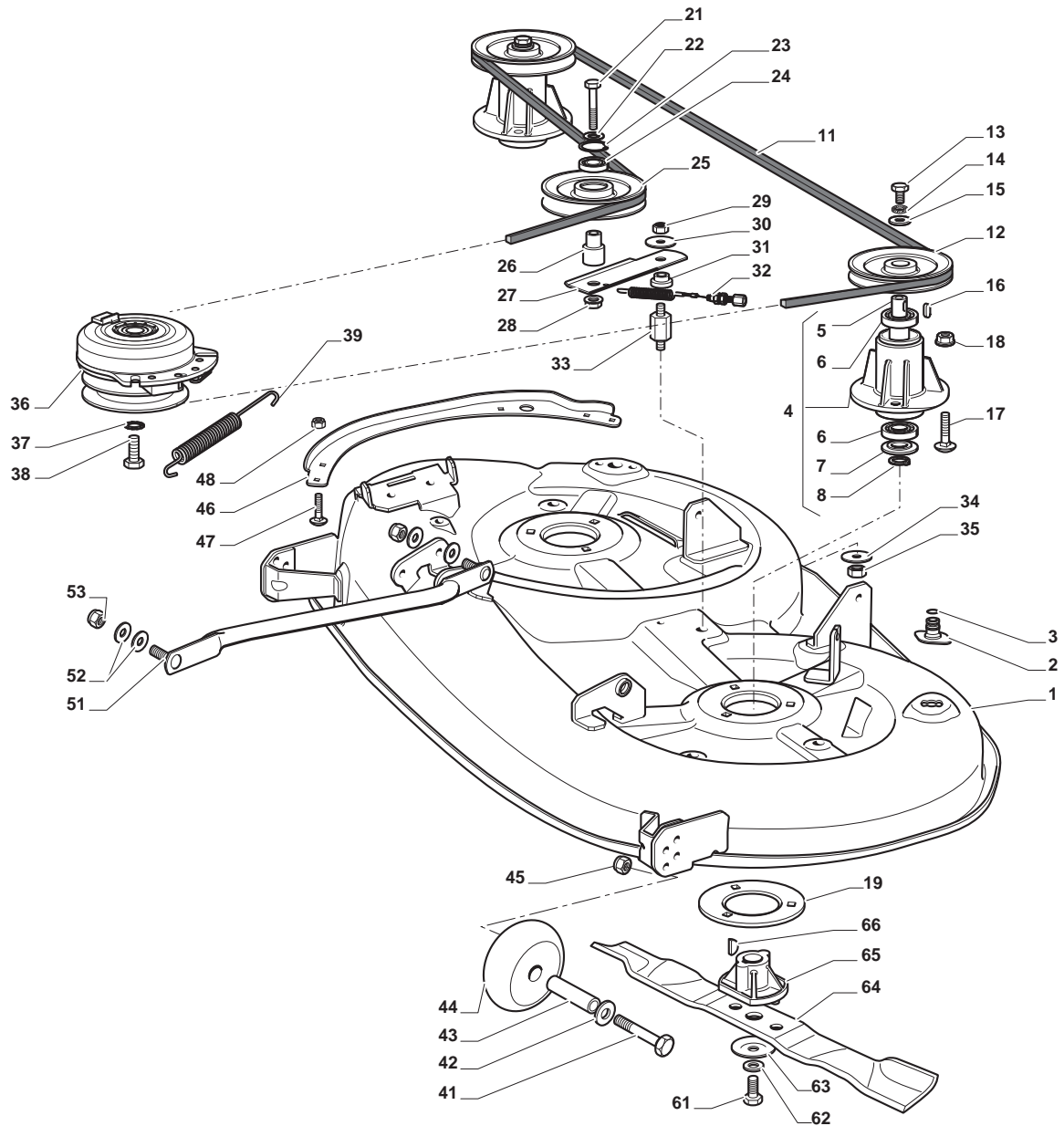


| Transmission HYDRO-GEAR | | | | | | | |
|-------------------------|-------------|------|---------------------|------------------------|------------------------|-----------------------|----------------|
| POS | CODE | Q.TY | DESCRIPTION | DESCRIZIONE | DESCRIPTION | BESCHREIBUNG | NOTES |
| 1 | 325110274/0 | 1 | Clamp Cover Front | Copristaffa Anteriore | Couvre Etrier Avant | Bridedeckel Vorde | |
| 2 | 382000574/1 | 1 | Drive Pedal | Pedale Avanzamento | Pedale Transmission | Getriebepedal | |
| 3 | 325110331/0 | 1 | Clamp Cover Rear | Copristaffa Posteriore | Couvre Etrier Arriere | Bridedeckel Hinter | |
| 4 | 325785350/0 | 2 | Support | Supporto | Support | Halter | |
| 5 | 325547231/0 | 2 | Plate | Piastra | Plaque | Platte | |
| 6 | 112735599/0 | 4 | Screw | Vite | Vis | Schraube | |
| 7 | 112154510/0 | 4 | Nut | Dado | Ecrou | Mutter | |
| 8 | 327546019/0 | 1 | Switch Fixing Plate | Piastrina | Plaquette | Plättchen | |
| 9 | 112735602/0 | 2 | Screw | Vite | Vis | Schraube | |
| 10 | 112540020/0 | 2 | Washer | Rosetta | Rondelle | Scheibe | |
| 11 | 112581100/0 | 2 | Grower | Grower | Grower | Federring | |
| 12 | 112290791/0 | 2 | Hexagonal Nut | Dado | Ecrou | Mutter | |
| 13 | 119410609/0 | 1 | Micro Switch | Micro Interruttore | Microinterrupteur | Mikroschalter | |
| 14 | 118802723/0 | 1 | Fan Kit | Kit Ventola | Fan Kit | Fan Kit | |
| 15 | 382000573/1 | 1 | Rod | Asta | Tige | Stange | |
| 16 | 325670011/0 | 2 | Antifriction Washer | Rondella Antifrizione | Rondelle Antifricition | Anti Friktionswäscher | |
| 17 | 112000940/0 | 1 | Benzing Ring | Anello Benzing | Anneau Benzing | Ring Benzing | |
| 18 | 112523040/0 | 1 | Washer | Rosetta | Rondelle | Scheibe | |
| 19 | 112154510/0 | 1 | Nut | Dado | Ecrou | Mutter | |
| 21 | 112691600/0 | 4 | Screw | Vite | Vis | Schraube | |
| 22 | 112521350/0 | 4 | Washer | Rosetta | Rondelle | Scheibe | |
| 23 | 118400919/2 | 1 | Rear Axle | Asse Posteriore | Axe Arriere | Hinterachse | |
| 24 | 112155000/0 | 4 | Nut | Dado | Ecrou | Mutter | |
| 25 | 325670026/0 | 2 | Washer | Rosetta | Rondelle | Scheibe | |
| 26 | 325785349/1 | 1 | Support | Supporto | Support | Halter | |
| 27 | 112691700/0 | 1 | Screw | Vite | Vis | Schraube | |
| 29 | 112792611/0 | 1 | Screw | Vite | Vis | Schraube | |
| 30 | 112523060/0 | 2 | Washer | Rosetta | Rondelle | Scheibe | |
| 31 | 112155000/0 | 2 | Nut | Dado | Ecrou | Mutter | |
| 32 | 112791213/1 | 1 | Screw | Vite | Vis | Schraube | |
| 33 | 325318251/0 | 1 | Lever | Leva | Levier | Hebel | |
| 34 | 112154510/0 | 1 | Nut | Dado | Ecrou | Mutter | |
| 41 | 125670005/1 | 2 | Washer | Rosetta | Rondelle | Scheibe | |
| 42 | 125160058/0 | 2 | Spacer | Distanziale | Entretoise | Distanzring | |
| 43 | 125670005/1 | 6 | Washer | Rosetta | Rondelle | Scheibe | |
| 44 | 112001010/0 | 2 | Benzing Ring | Anello Benzing | Anneau Benzing | Ring Benzing | |
| 45 | 322110233/0 | 2 | Hub Cover | Coprimozzo | Couvre-Moyeu | Nabedeckel | Standard Cover |
| 45 | 322110239/0 | 2 | Hub Cover | Coprimozzo | Couvre-Moyeu Noir | Nabedeckel | Stiga Style |
| 46 | 382000597/0 | 2 | Rimm | Cerchio Ruota | Bandage Roue | Vorderrad Felger | |
| 47 | 125950000/0 | 2 | Valve | Valvola | Vanne | Ventil | |
| 48 | 125590015/0 | 2 | Tyre | Pneumatico | Pneu | Reifen | |

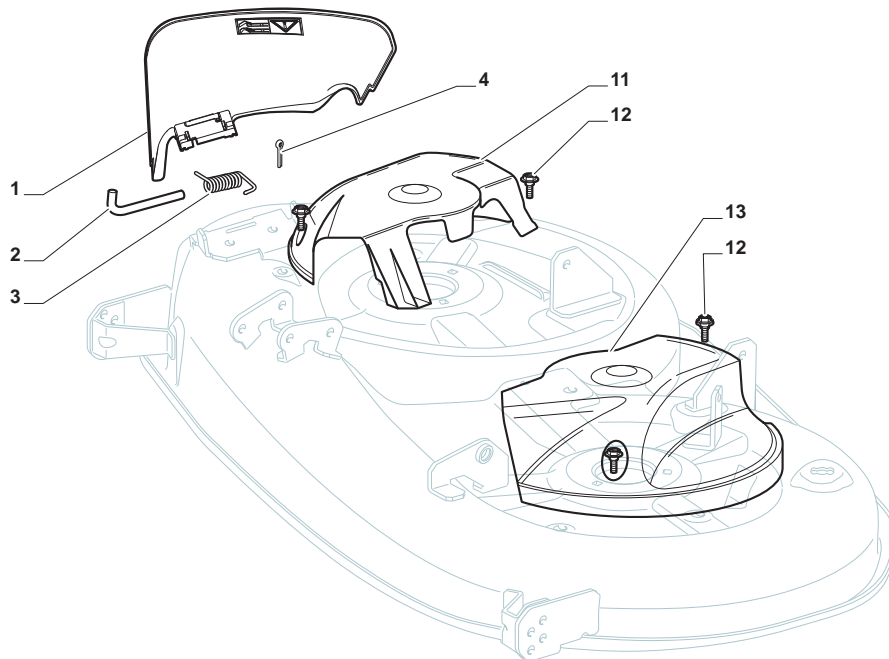


Cutting Plate Lifting

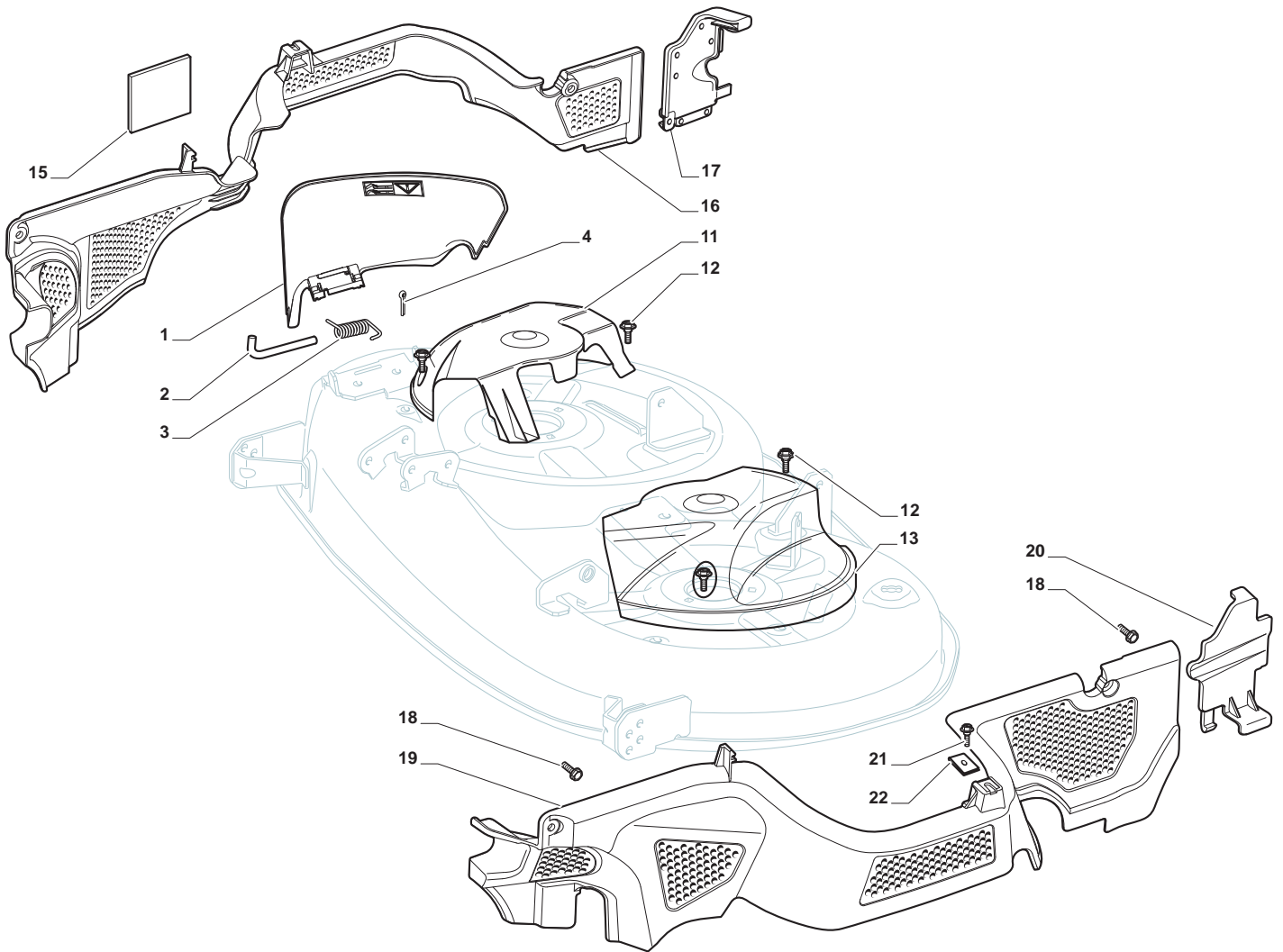
| POS | CODE | Q.TY | DESCRIPTION | DESCRIZIONE | DESCRIPTION | BESCHREIBUNG | NOTES |
|-----|-------------|------|---------------------|-----------------------|-----------------------|-----------------------|-------|
| 1 | 325394533/0 | 1 | Knob | Manopola | Poignee | Knopf | |
| 2 | 382318229/0 | 1 | Lever | Leva | Levier | Hebel | |
| 3 | 382318231/0 | 1 | Axle | Asse Avanzamento | Axe | Achse | |
| 4 | 112674700/0 | 1 | Screw | Vite | Vis | Schraube | |
| 5 | 125430261/0 | 1 | Spring | Molla | Ressort | Feder | |
| 6 | 112154510/0 | 1 | Nut | Dado | Ecrou | Mutter | |
| 7 | 325038006/0 | 2 | Bushing | Bussola | Douille | Buchse | |
| 8 | 325785297/0 | 1 | Support | Supporto | Support | Halter | |
| 9 | 125943009/0 | 2 | Screw | Vite | Vis | Schraube | |
| 10 | 325735515/0 | 1 | Steering Shaft | Settore Sterzo | Secteur Direction | Lenkkranz | |
| 11 | 125943009/0 | 2 | Screw | Vite | Vis | Schraube | |
| 12 | 112793701/0 | 1 | Screw | Vite | Vis | Schraube | |
| 13 | 125040636/1 | 1 | Bushing | Bussola | Douille | Buchse | |
| 14 | 125601579/0 | 1 | Pulley | Puleggia | Poulie | Riemenscheibe | |
| 15 | 382004620/0 | 1 | Wire | Filo | Fil | Kabel | |
| 16 | 112523060/0 | 1 | Washer | Rosetta | Rondelle | Scheibe | |
| 17 | 112293201/0 | 1 | Nut | Dado | Ecrou | Mutter | |
| 21 | 382318239/0 | 1 | Axle | Asse Avanzamento | Axe | Achse | |
| 22 | 112735599/0 | 4 | Screw | Vite | Vis | Schraube | |
| 23 | 325547231/0 | 2 | Plate | Piastra | Plaque | Platte | |
| 24 | 112155000/0 | 1 | Nut | Dado | Ecrou | Mutter | |
| 26 | 325670011/0 | 2 | Antifriction Washer | Rondella Antifrizione | Rondelle Antifriction | Anti Friktionswäscher | |
| 27 | 382000569/1 | 1 | Connecting Rod | Asta Collegamento | Tige De Connexion | Verbindungsstab | |
| 28 | 112521350/0 | 1 | Washer | Rosetta | Rondelle | Scheibe | |
| 29 | 382318237/0 | 1 | Axle | Asse Avanzamento | Axe | Achse | |
| 30 | 112604899/0 | 1 | Crown Fastener | Fissatore A Corona | Fixateur A Couronne | Kronescheibe | |
| 31 | 325547231/0 | 1 | Plate | Piastra | Plaque | Platte | |
| 32 | 112735599/0 | 2 | Screw | Vite | Vis | Schraube | |
| 34 | 325670008/1 | 3 | Washer | Rosetta | Rondelle | Scheibe | |
| 35 | 125510107/1 | 3 | Pin | Perno | Pivot | Bolzen | |
| 36 | 112156602/0 | 3 | Nut | Dado | Ecrou | Mutter | |
| 37 | 112295200/0 | 3 | Hexagonal Nut | Dado | Ecrou | Mutter | |
| 38 | 125840012/0 | 3 | Tie Rod | Tirante | Tirant | Spannstange | |
| 39 | 325670008/1 | 3 | Washer | Rosetta | Rondelle | Scheibe | |
| 41 | 124487998/0 | 3 | Cotter Pin | Coppiglia | Goupille | Split | |
| 43 | 112156602/0 | 3 | Nut | Dado | Ecrou | Mutter | |
| 44 | 112521360/0 | 6 | Washer | Rosetta | Rondelle | Scheibe | |



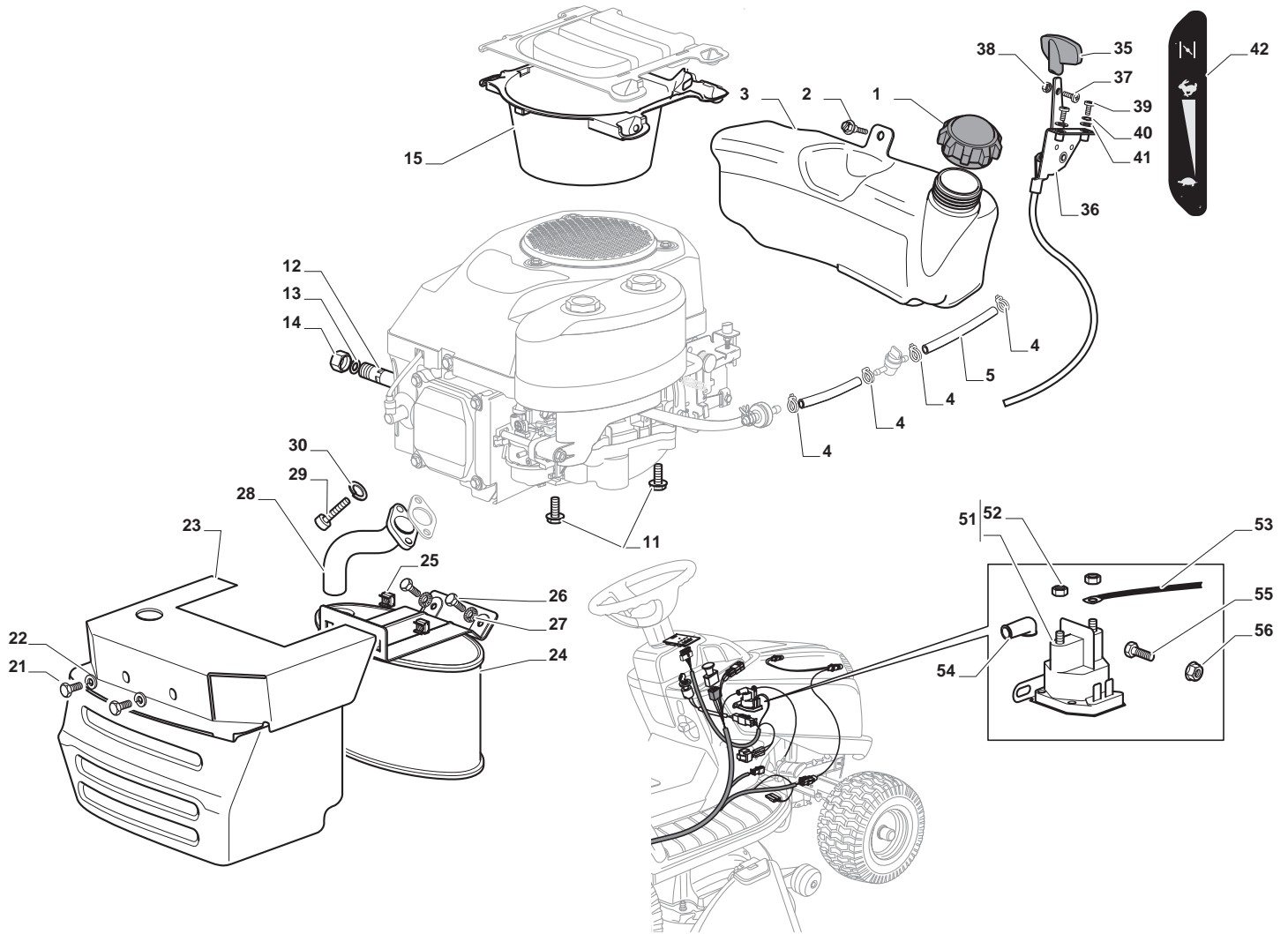
| Cutting Plate | | | | | | | |
|---------------|-------------|------|-----------------------|-----------------------|-----------------------|-------------------------|-------|
| POS | CODE | Q.TY | DESCRIPTION | DESCRIZIONE | DESCRIPTION | BESCHREIBUNG | NOTES |
| 1 | 382565069/1 | 1 | Cutting Plate Black | Piatto Di Taglio Nero | Plateau De Coupe Noir | Schneidwerkzeug Schwarz | |
| 2 | 325033086/0 | 2 | Water Hose Connection | Attacco Tubo Acqua | Raccord Tuyau D'Eau | Wasseranschluss | |
| 3 | 119035000/0 | 2 | O Ring | O Ring | O Ring | O Ring | |
| 4 | 382207204/0 | 2 | Flange Assy | Ass. Flangia | Ensamble Bride | Flansch, Komplet | |
| 5 | 125020804/0 | 2 | Shaft | Albero | Arbre | Welle | |
| 6 | 119216047/0 | 4 | Bearing | Cuscinetto | Roulement | Kugellager | |
| 7 | 325160501/0 | 2 | Dust Cover Disc | Disco Parapolvere | Protege-Poussiere | Staubschuttscheibe | |
| 8 | 112609260/0 | 2 | Seeger | Seeger | Seeger | Seeger | |
| 11 | 135061506/0 | 1 | Belt | Cinghia | Courroie | Riemen | |
| 12 | 125601571/0 | 2 | Pulley | Puleggia | Poulie | Riemenscheibe | |
| 13 | 112793102/0 | 2 | Screw | Vite | Vis | Schraube | |
| 14 | 112540260/0 | 2 | Grower | Grower | Grower | Federring | |
| 15 | 125670007/0 | 2 | Washer | Rondella | Rondelle | Scheibe | |
| 16 | 112139480/0 | 2 | Feather | Linguetta | Clavette | Keil | |
| 17 | 112818700/0 | 6 | Screw | Vite | Vis | Schraube | |
| 18 | 112154210/0 | 6 | Nut | Dado | Ecrou | Nuss | |
| 19 | 325160505/0 | 2 | Reinformer Disc | Disco | Rondelle | Scheibe | |
| 21 | 112691900/0 | 1 | Screw | Vite | Vis | Schraube | |
| 22 | 112524010/0 | 1 | Washer | Rondella | Rondelle | Scheibe | |
| 23 | 112610800/0 | 1 | Snap Ring | Anello Elastico | Anneau Élastique | Elastischer Ring | |
| 24 | 119216048/0 | 1 | Bearing | Cuscinetto | Roulement | Kugellager | |
| 25 | 125601586/0 | 1 | Pulley | Puleggia | Poulie | Riemenscheibe | |
| 26 | 125160056/0 | 1 | Spacer | Distanziale | Entretoise | Distanzring | |
| 27 | 325318255/0 | 1 | Lever | Leva | Levier | Hebel | |
| 28 | 112293201/0 | 1 | Nut | Dado | Ecrou | Nuss | |
| 29 | 112155020/0 | 1 | Nut | Dado | Ecrou | Nuss | |
| 30 | 125670022/0 | 1 | Washer | Rondella | Rondelle | Scheibe | |
| 31 | 125040635/0 | 1 | Bushing | Bussola | Douille | Büchse | |
| 32 | 382004619/0 | 1 | Wire | Filo | Fil | Kabel | |
| 33 | 125160057/0 | 1 | Spacer | Distanziale | Entretoise | Distanzring | |
| 34 | 112523080/0 | 1 | Washer | Rondella | Rondelle | Scheibe | |
| 35 | 112156602/0 | 1 | Nut | Dado | Ecrou | Nuss | |
| 36 | 118399062/0 | 1 | Clutch Assy | Ass. Frizione | Friction | Set Kupplung | |
| 37 | 112543000/0 | 1 | Washer | Rondella | Rondelle | Scheibe | |
| 38 | 112737320/0 | 1 | Screw | Vite | Vis | Schraube | |
| 39 | 125430277/0 | 1 | Spring | Molla | Ressort | Feder | |
| 41 | 112692050/0 | 2 | Screw | Vite | Vis | Schraube | |
| 42 | 112523060/0 | 2 | Washer | Rondella | Rondelle | Scheibe | |
| 43 | 125510072/0 | 2 | Pin | Perno | Pivot | Bolzen | |
| 44 | 182700001/0 | 2 | Anti Scalp Wheel | Ruotino Antiscalpo | Roulettes Antiscalp | Skalpierschutzrädchen | Ø 100 |
| 45 | 112293201/0 | 2 | Nut | Dado | Ecrou | Nuss | |
| 46 | 325547259/0 | 1 | Stiffening | Rinforzo | Renforcement | Verstaerkung | |
| 47 | 112815200/0 | 5 | Screw | Vite | Vis | Schraube | |
| 48 | 112154510/0 | 5 | Nut | Dado | Ecrou | Nuss | |
| 51 | 382000565/0 | 2 | Equalizer Rod | Asta Bilanciere | Tige Balancier | Kipphebel | |
| 52 | 325670008/1 | 8 | Washer | Rondella | Rondelle | Scheibe | |
| 53 | 112156602/0 | 4 | Nut | Dado | Ecrou | Nuss | |
| 61 | 112735694/0 | 2 | Screw | Vite | Vis | Schraube | |
| 62 | 112523080/0 | 2 | Washer | Rondella | Rondelle | Scheibe | |
| 63 | 122160400/0 | 2 | Elastic Washer | Disco Elastico | Disque Elastique | Federscheibe | |
| 64 | 182004357/0 | 2 | Right Blade Mulching | Coltello Mulching | Lame Droit Mulching | Rechter Messer Mulching | |
| 65 | 125463200/0 | 2 | Blade Hub | Mozzo Coltello | Moyeu Lame | Messerhalter | |
| 66 | 112139100/0 | 2 | Key | Chiave | Clef | Schlüssel | |



| Guards | | | | | | | |
|--------|-------------|------|-----------------|-------------------|----------------------|---------------|-------|
| POS | CODE | Q.TY | DESCRIPTION | DESCRIZIONE | DESCRIPTION | BESCHREIBUNG | NOTES |
| 1 | 325600087/1 | 1 | Exit Protection | Protezione Uscita | Protection En Sortie | Auswurfschutz | |
| 2 | 125510073/0 | 1 | Fulcrum Pin | Perno Fulcro | Pivot | Gelenkpunkt | |
| 3 | 125430242/1 | 1 | Spring | Molla | Ressort | Feder | |
| 4 | 112141418/0 | 1 | Cotter Pin | Copiglia | Goupille | Split | |
| 11 | 325600088/0 | 1 | Case | Carter | Carter | Blech | |
| 12 | 125943010/0 | 4 | Screw | Vite | Vis | Schraube | |
| 13 | 325600089/0 | 1 | Case | Carter | Carter | Blech | |

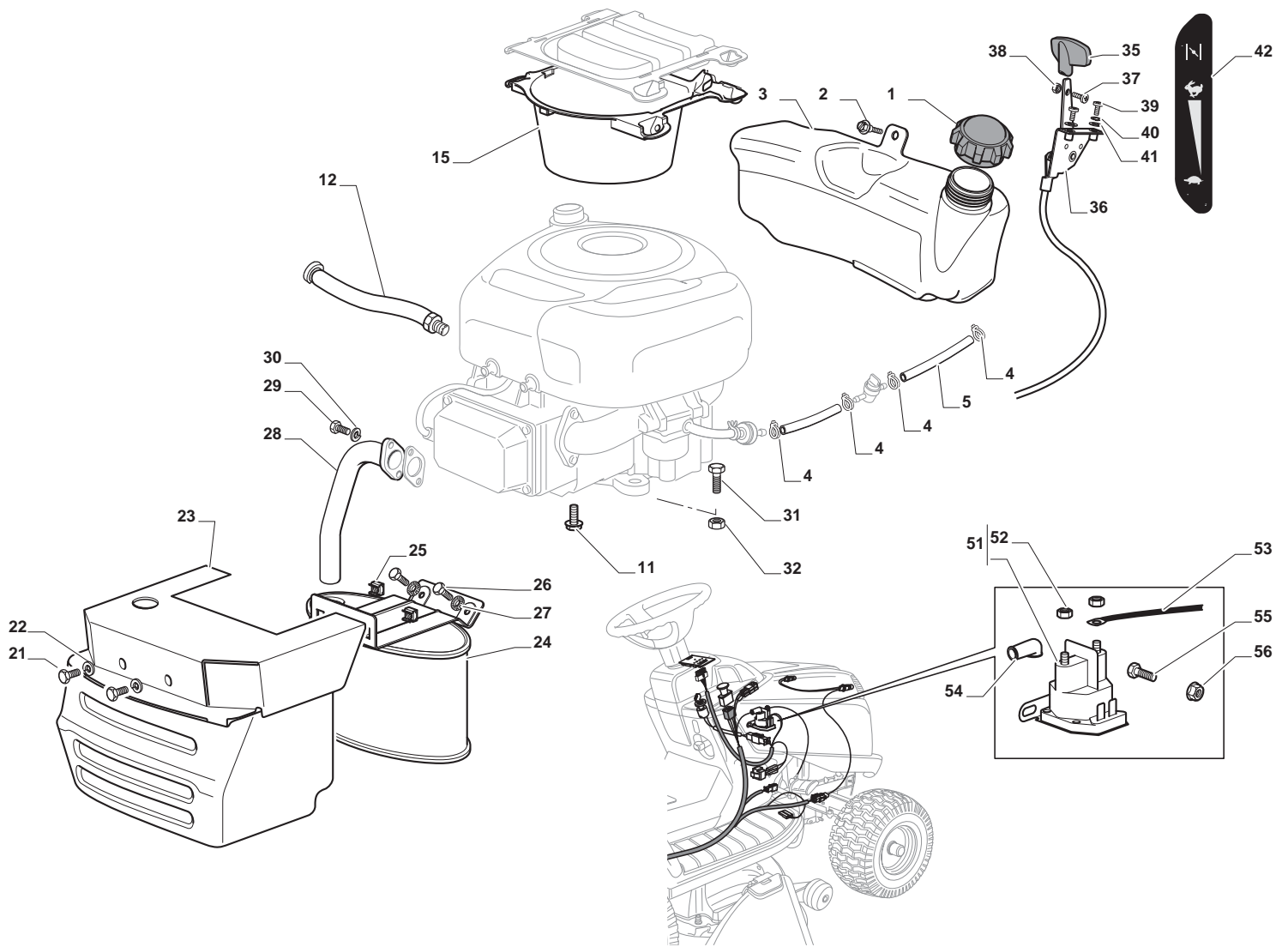


| Guards (Cemagref) | | | | | | | |
|-------------------|-------------|------|-----------------|-------------------|----------------------|---------------|-------|
| POS | CODE | Q.TY | DESCRIPTION | DESCRIZIONE | DESCRIPTION | BESCHREIBUNG | NOTES |
| 1 | 325600087/1 | 1 | Exit Protection | Protezione Uscita | Protection En Sortie | Auswurfschutz | |
| 2 | 125510073/0 | 1 | Fulcrum Pin | Perno Fulcro | Pivot | Gelenkpunkt | |
| 3 | 125430242/1 | 1 | Spring | Molla | Ressort | Feder | |
| 4 | 112141418/0 | 1 | Cotter Pin | Copiglia | Goupille | Split | |
| 11 | 325600088/0 | 1 | Case | Carter | Carter | Blech | |
| 12 | 125943010/0 | 4 | Screw | Vite | Vis | Schraube | |
| 13 | 325600089/0 | 1 | Case | Carter | Carter | Blech | |
| 15 | 325600084/0 | 1 | Guard | Protezione | Protection | Schutz | |
| 16 | 325060154/0 | 1 | Case | Carter | Carter | Blech | |
| 17 | 325600082/0 | 1 | Guard | Protezione | Protection | Schutz | |
| 18 | 125943011/0 | 4 | Screw | Vite | Vis | Schraube | |
| 19 | 325060155/0 | 1 | Guard | Protezione | Protection | Schutz | |
| 20 | 325600083/0 | 1 | Guard | Protezione | Protection | Schutz | |
| 21 | 127943051/0 | 2 | Screw | Vite | Vis | Schraube | |
| 22 | 112437506/0 | 2 | Plate | Plate | Plate | Plate | |

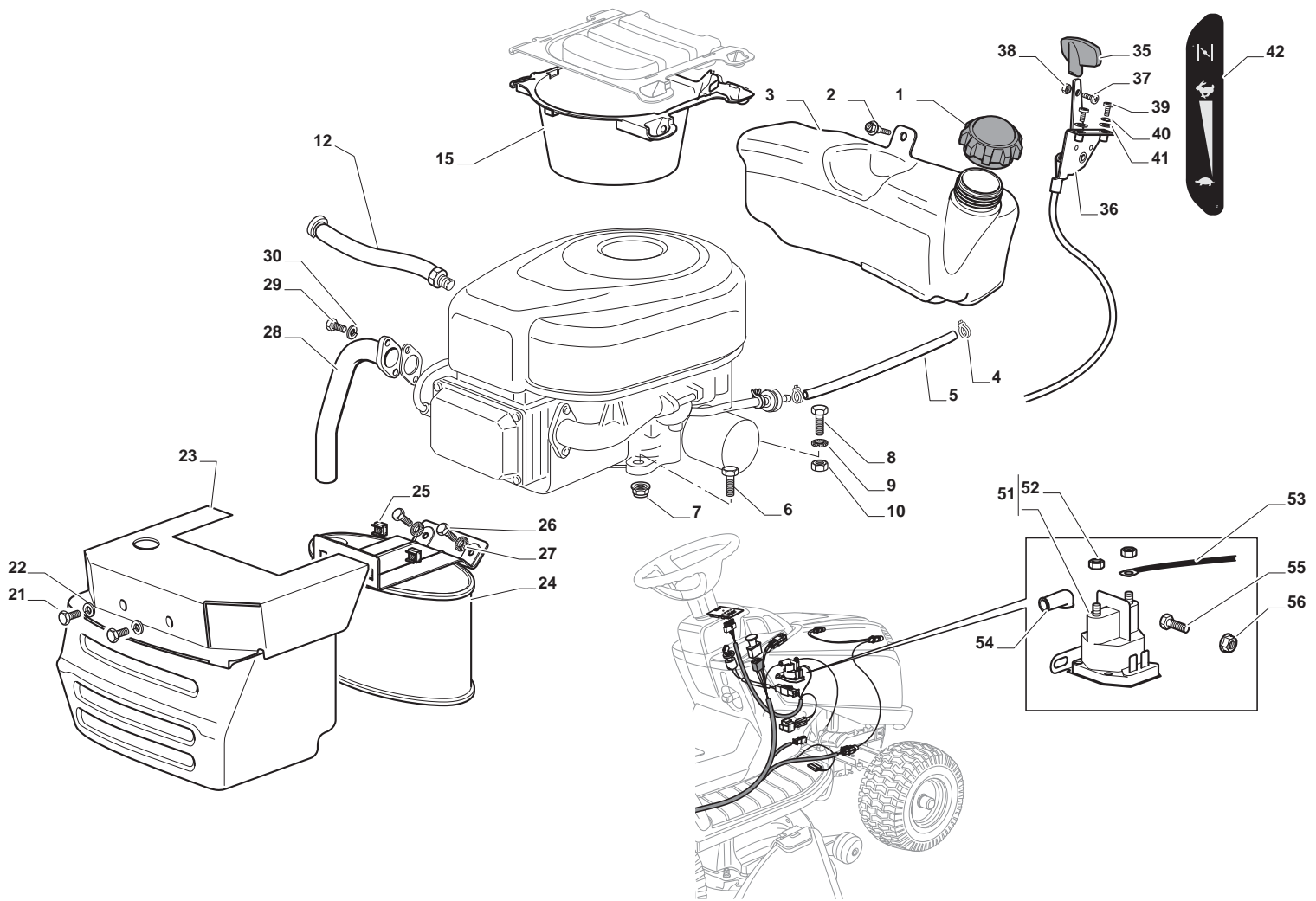


Engine GGP

| POS | CODE | Q.TY | DESCRIPTION | DESCRIZIONE | DESCRIPTION | BESCHREIBUNG | NOTES |
|-----|-------------|------|-------------------------|-------------------------|-------------------------|-------------------|-------|
| 1 | 125795001/1 | 1 | Cap | Tappo Serbatoio | Bouchon | Tankverschluss | |
| 2 | 125943010/0 | 4 | Screw | Vite | Vis | Schraube | |
| 3 | 325735126/0 | 1 | Tank | Serbatoio | Reservoir | Tank | |
| 4 | 118375051/1 | 4 | Fair Led | Fascetta | Fixation De Cable | Kabelbefestigung | |
| 5 | 325869057/0 | 1 | Connecting Tube | Tubo Collegamento | Tube De Connexion | Verbindungsrohr | |
| 11 | 112735108/1 | 4 | Screw | Vite | Vis | Schraube | |
| 12 | 127598060/0 | 1 | Oil Discharge Extension | Prolunga Scarico Olio | Rallonge Dechargement H | Öl Abfluss | |
| 13 | 118401001/1 | 1 | Oil Seal | Guarnizione | Garniture | Dichtung | |
| 14 | 118737849/0 | 1 | Plug | Tappo | Bouchon | Verschlussstopfen | |
| 15 | 325108044/1 | 1 | Conveyor | Convogliatore | Convoyeur | Konveyor | |
| 21 | 112792611/0 | 2 | Screw | Vite | Vis | Schraube | |
| 22 | 112540260/0 | 2 | Grower | Grower | Grower | Federring | |
| 23 | 382598045/0 | 1 | Muffler Protection | Protezione Silenziatore | Protection Silencieux | Auspuffschutz | |
| 24 | 182750010/0 | 1 | Muffler | Silenziatore | Silencieux | Schalldämpfer | |
| 25 | 112360425/0 | 2 | Nut | Dado | Ecrou | Mutter | |
| 26 | 112792611/0 | 2 | Screw | Vite | Vis | Schraube | |
| 27 | 112540260/0 | 2 | Grower | Grower | Grower | Federring | |
| 28 | 118738231/1 | 1 | Exhaust Tube | Tubo Scarico | Tube Echappement | Abgasungrohr | |
| 29 | 112737450/0 | 2 | Screw | Vite | Vis | Schraube | |
| 30 | 112540260/0 | 2 | Grower | Grower | Grower | Federring | |
| 35 | 325394531/0 | 1 | Knob | Manopolina | Poignée | Griff | |
| 36 | 182000215/0 | 1 | Accelerator | Acceleratore | Accelérateur | Gas Zug | |
| 37 | 112726389/0 | 1 | Screw | Vite | Vis | Schraube | |
| 38 | 112290800/0 | 1 | Nut | Dado | Ecrou | Mutter | |
| 39 | 112726389/0 | 2 | Screw | Vite | Vis | Schraube | |
| 40 | 112540020/0 | 2 | Washer | Rosetta | Rondelle | Scheibe | |
| 41 | 112521310/0 | 2 | Washer | Rosetta | Rondelle | Scheibe | |
| 42 | 114363697/0 | 1 | Label | Etichetta | Etiquette | Etikett | |
| 51 | 118736111/0 | 1 | Starter Relay | Relè Avviamento | Relais D'Allumage | Anlassrelais | |
| 52 | 112360352/0 | 2 | Nut | Dado | Ecrou | Mutter | |
| 53 | 125065002/0 | 1 | Cable | Cavo Relé Avv. | Cable | Kabel | |
| 54 | 118564864/1 | 1 | Protection | Cappuccio | Capuchon | Stecker | |
| 55 | 112790781/0 | 1 | Screw | Vite | Vis | Schraube | |
| 56 | 112154510/0 | 2 | Nut | Dado | Écrou | Mutter | |

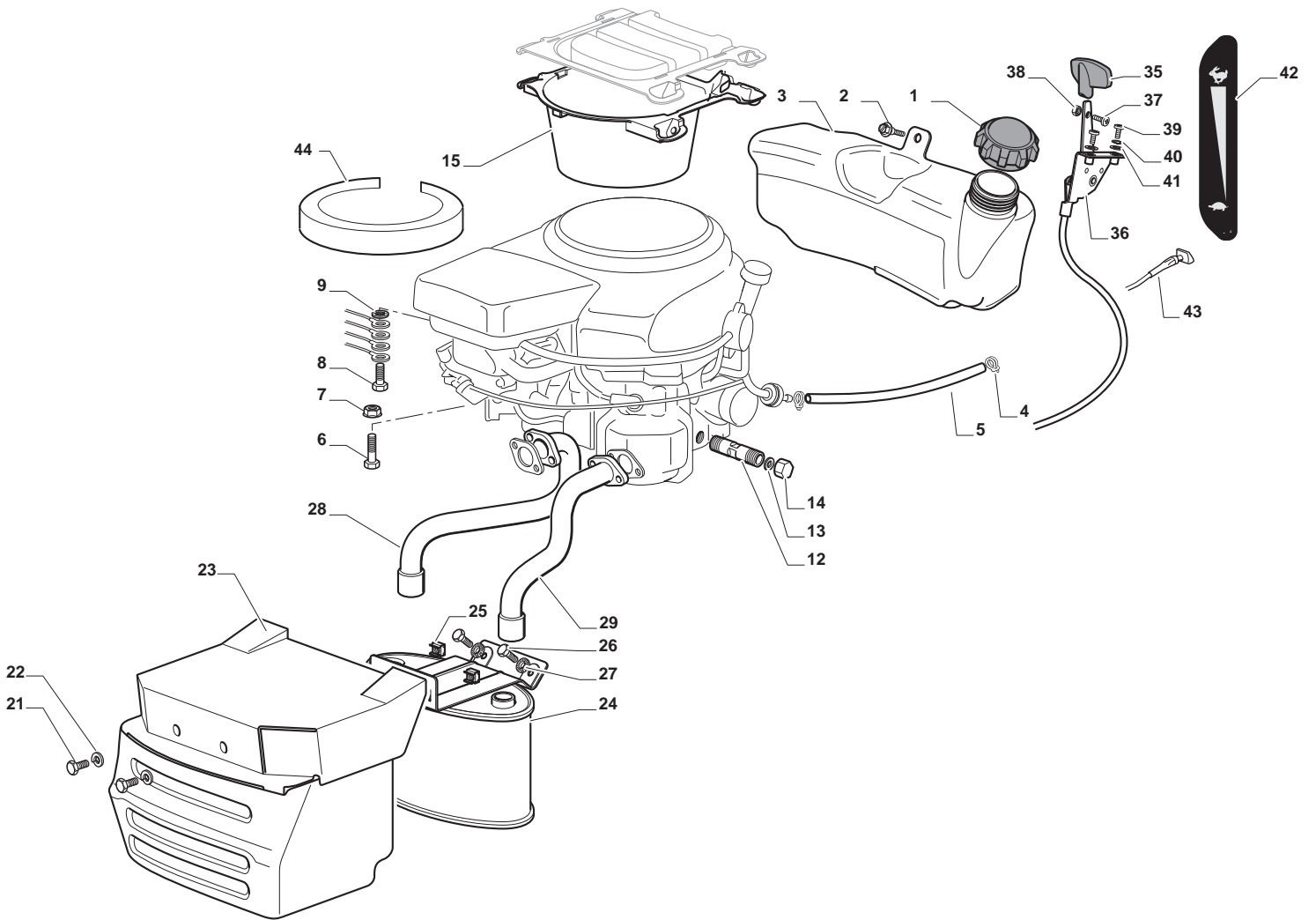


| Engine B&S 13,5 hp | | | | | | | |
|--------------------|--------------|------|-------------------------|-------------------------|-------------------------|-------------------|-------|
| POS | CODE | Q.TY | DESCRIPTION | DESCRIZIONE | DESCRIPTION | BESCHREIBUNG | NOTES |
| 1 | 125795001/1 | 1 | Fuel Cap | Tappo Serbatoio | Bouchon | Tankverschluss | |
| 2 | 125943010/0 | 4 | Screw | Vite | Schraube | Vis | |
| 3 | 325735126/0 | 1 | Tank | Serbatoio | Reservoir | Tank | |
| 4 | 118375051/1 | 4 | Fair Led | Fascetta | Kabelbefestigung | Fixation De Cable | |
| 5 | 325869057/0 | 1 | Connecting Tube | Tube Collegamento | Verbindungsrohr | Tube De Connexion | |
| 11 | 112735108/1 | 3 | Screw | Vite | Schraube | Vis | |
| 12 | 1134-5827-01 | 1 | Oil Discharge Extension | Prolunga Scarico Olio | Rallonge Dechargement H | Öl Abfluss | |
| 15 | 325108044/1 | 1 | Conveyor | Convogliatore | Konveyor | Convoyeur | |
| 21 | 112792611/0 | 2 | Screw | Vite | Schraube | Vis | |
| 22 | 112540260/0 | 2 | Grower | Grower | Federring | Grower | |
| 23 | 382598047/0 | 1 | Muffler Protection | Protezione Silenziatore | Protection Silencieux | Auspuffschutz | |
| 24 | 182750010/0 | 1 | Muffler | Silenziatore | Silencieux | Schalldämpfer | |
| 25 | 112360425/0 | 2 | Nut | Dado | Nuss | Ecrou | |
| 26 | 112792611/0 | 2 | Screw | Vite | Schraube | Vis | |
| 27 | 112540260/0 | 2 | Grower | Grower | Federring | Grower | |
| 28 | 118738224/0 | 1 | Exhaust Tube | Tube Raccordo Scarico | Tube Connex. Echapp. | Krummer | |
| 29 | 112737450/0 | 2 | Screw | Vite | Schraube | Vis | |
| 30 | 112540260/0 | 2 | Grower | Grower | Federring | Grower | |
| 31 | 112691115/0 | 1 | Screw | Vite | Schraube | Vis | |
| 32 | 112154210/0 | 3 | Nut | Dado | Nuss | Ecrou | |
| 35 | 325394531/0 | 1 | Knob | Manopolina | Poignée | Griff | |
| 36 | 182000216/0 | 1 | Accelerator | Acceleratore | Commande d'accélération | Gashebelgestange | |
| 37 | 112726389/0 | 1 | Screw | Vite | Schraube | Vis | |
| 38 | 112290800/0 | 1 | Nut | Dado | Nuss | Ecrou | |
| 39 | 112726389/0 | 2 | Screw | Vite | Schraube | Vis | |
| 40 | 112540020/0 | 2 | Washer | Rondella | Scheibe | Rondelle | |
| 41 | 112521310/0 | 2 | Washer | Rondella | Scheibe | Rondelle | |
| 42 | 114363697/0 | 1 | Label | Etichetta | Etiquette | Etikett | |
| 51 | 118736111/0 | 1 | Starter Relay | Relé Avviamento | Anlassrelais | Relais D'Allumage | |
| 52 | 112360352/0 | 2 | Nut | Dado | Nuss | Ecrou | |
| 53 | 125065002/0 | 1 | Cable | Cavo | Kabel | Cable | |
| 54 | 118564864/1 | 1 | Protection | Protezione | Schutz | Protection | |
| 55 | 112790781/0 | 1 | Screw | Vite | Schraube | Vis | |
| 56 | 112154510/0 | 2 | Nut | Dado | Nuss | Ecrou | |



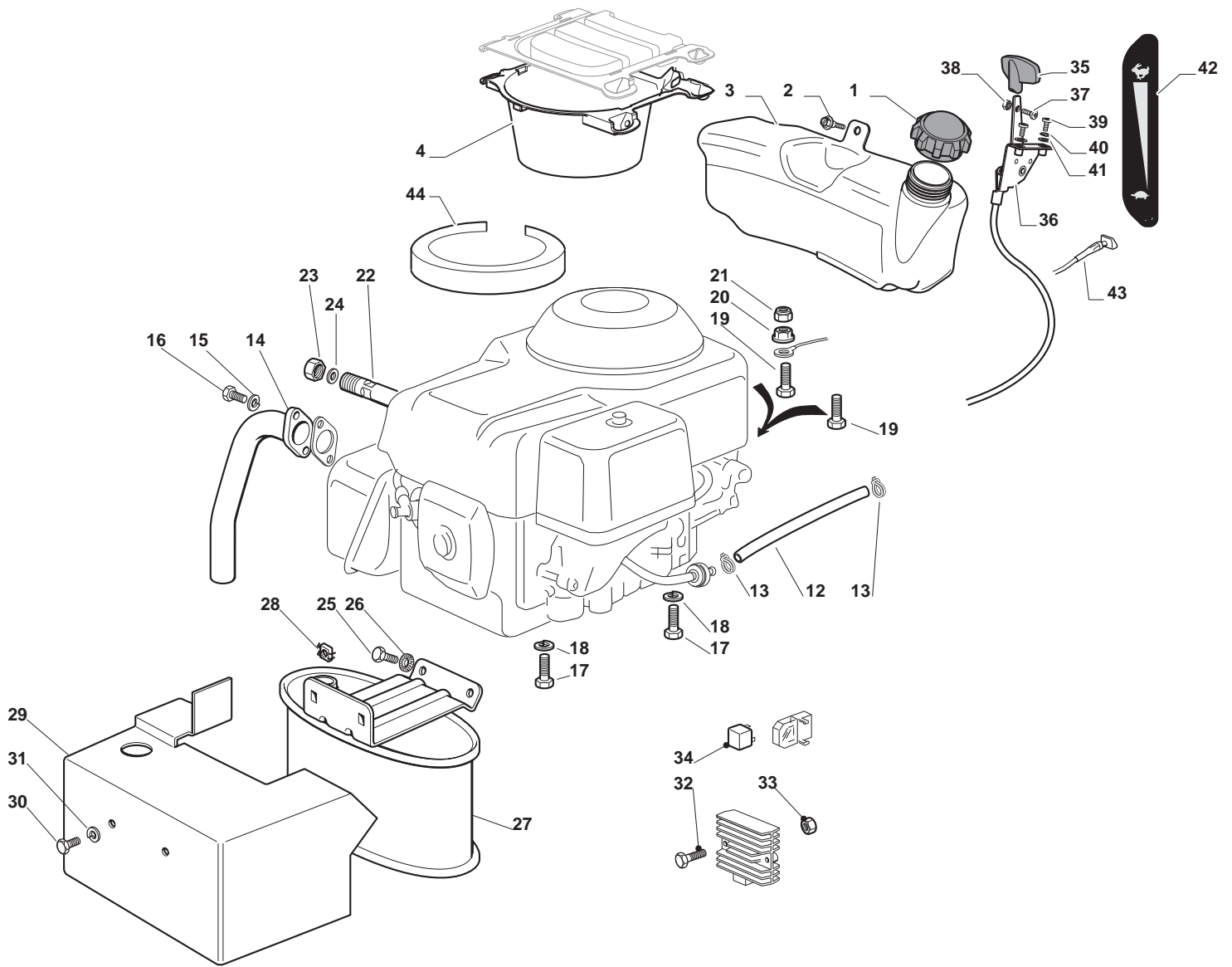
Engine B&S 16.5 - 18.5 hp

| POS | CODE | Q.TY | DESCRIPTION | DESCRIZIONE | DESCRIPTION | BESCHREIBUNG | NOTES |
|-----|--------------|------|-------------------------|-------------------------|-------------------------|-------------------|-------|
| 1 | 125795001/1 | 1 | Fuel Cap | Tappo Serbatoio | Bouchon | Tankverschluss | |
| 2 | 125943010/0 | 4 | Screw | Vite | Schraube | Vis | |
| 3 | 325735126/0 | 1 | Tank | Serbatoio | Reservoir | Tank | |
| 4 | 118375051/1 | 2 | Fair Led | Fascetta | Kabelbefestigung | Fixation De Cable | |
| 5 | 325869057/0 | 1 | Connecting Tube | Tube Collegamento | Verbindungsrohr | Tube De Connexion | |
| 6 | 112691100/0 | 3 | Screw | Vite | Schraube | Vis | |
| 7 | 112154210/0 | 3 | Nut | Dado | Nuss | Ecrou | |
| 8 | 112691115/0 | 1 | Screw | Vite | Schraube | Vis | |
| 9 | 112540260/0 | 1 | Grower | Grower | Federring | Grower | |
| 10 | 112154210/0 | 1 | Nut | Dado | Nuss | Ecrou | |
| 12 | 1134-5827-01 | 1 | Oil Discharge Extension | Prolunga Scarico Olio | Rallonge Dechargement H | Öl Abfluss | |
| 15 | 325108044/1 | 1 | Conveyor | Convogliatore | Konveyor | Convoyeur | |
| 21 | 112792611/0 | 2 | Screw | Vite | Schraube | Vis | |
| 22 | 112540260/0 | 2 | Grower | Grower | Federring | Grower | |
| 23 | 382598047/0 | 1 | Muffler Protection | Protezione Silenziatore | Protection Silencieux | Auspuffschutz | |
| 24 | 182750010/0 | 1 | Muffler | Silenziatore | Silencieux | Schalldämpfer | |
| 25 | 112360425/0 | 2 | Nut | Dado | Nuss | Ecrou | |
| 26 | 112792611/0 | 2 | Screw | Vite | Schraube | Vis | |
| 27 | 112540260/0 | 2 | Grower | Grower | Federring | Grower | |
| 28 | 118738206/0 | 1 | Exhaust Tube | Tube Raccordo Scarico | Tube Connex. Echapp. | Krummer | |
| 29 | 112737450/0 | 2 | Screw | Vite | Schraube | Vis | |
| 30 | 112540260/0 | 2 | Grower | Grower | Federring | Grower | |
| 35 | 325394531/0 | 1 | Knob | Manopolina | Poignée | Griff | |
| 36 | 182000216/0 | 1 | Accelerator | Acceleratore | Commande d'accélération | Gashebelgestange | |
| 37 | 112726389/0 | 1 | Screw | Vite | Schraube | Vis | |
| 38 | 112290800/0 | 1 | Nut | Dado | Nuss | Ecrou | |
| 39 | 112726389/0 | 2 | Screw | Vite | Schraube | Vis | |
| 40 | 112540020/0 | 2 | Washer | Rondella | Scheibe | Rondelle | |
| 41 | 112521310/0 | 2 | Washer | Rondella | Scheibe | Rondelle | |
| 42 | 114363697/0 | 1 | Label | Etichetta | Etiquette | Etikett | |
| 51 | 118736111/0 | 1 | Starter Relay | Relé Avviamento | Anlassrelais | Relais D'Allumage | |
| 52 | 112360352/0 | 2 | Nut | Dado | Nuss | Ecrou | |
| 53 | 125065002/0 | 1 | Cable | Cavo | Kabel | Cable | |
| 54 | 118564864/1 | 1 | Protection | Protezione | Schutz | Protection | |
| 55 | 112790781/0 | 1 | Screw | Vite | Schraube | Vis | |
| 56 | 112154510/0 | 2 | Nut | Dado | Nuss | Ecrou | |



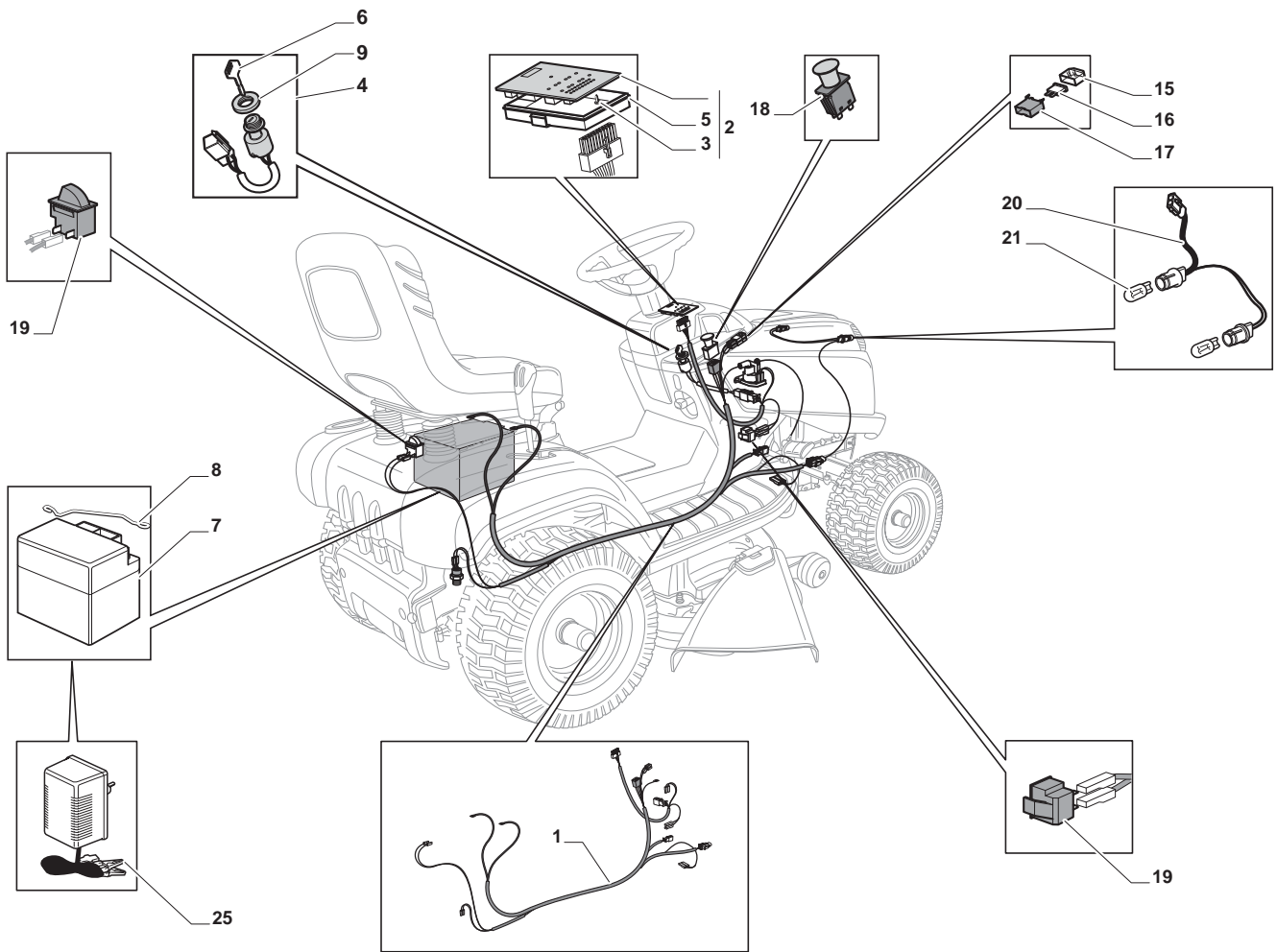
Engine Honda GCV 530

| POS | CODE | Q.TY | DESCRIPTION | DESCRIZIONE | DESCRIPTION | BESCHREIBUNG | NOTES |
|-----|-------------|------|--------------------------|-------------------------|-----------------------------|------------------------------|-------|
| 1 | 125795001/1 | 1 | Fuel Cap | Tappo Serbatoio | Bouchon | Tankverschluss | |
| 2 | 125943010/0 | 4 | Screw | Vite | Schraube | Vis | |
| 3 | 325735126/0 | 1 | Tank | Serbatoio | Reservoir | Tank | |
| 4 | 118375051/1 | 2 | Fair Led | Fascetta | Kabelbefestigung | Fixation De Cable | |
| 5 | 325869057/0 | 1 | Connecting Tube | Tubo Collegamento | Verbindungsrohr | Tube De Connexion | |
| 6 | 112691115/0 | 4 | Screw | Vite | Schraube | Vis | |
| 7 | 112154210/0 | 4 | Nut | Dado | Nuss | Ecrou | |
| 8 | 112735124/0 | 1 | Screw | Vite | Schraube | Vis | |
| 9 | 112540260/0 | 1 | Grower | Grower | Federring | Grower | |
| 12 | 125598052/0 | 1 | Oil Discharge Extension | Prolunga Scarico Olio | Rallonge Dechargement Huile | Öl Abfluss | |
| 13 | 118401001/1 | 1 | Oil Seal | Guarnizione | Garniture | Dichtung | |
| 14 | 118737849/0 | 1 | Plug | Plug | Plug | Plug | |
| 15 | 325108045/1 | 1 | Conveyor | Convogliatore | Konveyor | Convoyeur | |
| 21 | 112792611/0 | 2 | Screw | Vite | Schraube | Vis | |
| 22 | 112540260/0 | 2 | Grower | Grower | Federring | Grower | |
| 23 | 382598049/0 | 1 | Muffler Protection | Protezione Silenziatore | Protection Silencieux | Auspuffschutz | |
| 24 | 182750003/0 | 1 | Muffler | Silenziatore | Silencieux | Schalldämpfer | |
| 25 | 112360425/0 | 2 | Nut | Dado | Nuss | Ecrou | |
| 26 | 112792611/0 | 2 | Screw | Vite | Schraube | Vis | |
| 27 | 112540260/0 | 2 | Grower | Grower | Federring | Grower | |
| 28 | 118738221/0 | 1 | Exhaust Tube Right | Tubo Scarico Destro | Abgasungrohr, Rechte | Tube Echappement Droit | |
| 29 | 118738222/0 | 1 | Right Exhaust Connection | Raccordo Scarico Destro | Auspuffanschluss, Rechte | Connexion Echappement Droite | |
| 35 | 325394531/0 | 1 | Knob | Manopolina | Poignée | Griff | |
| 36 | 182000217/0 | 1 | Accelerator | Acceleratore | Commande d'accélération | Gashebelgestange | |
| 37 | 112726389/0 | 1 | Screw | Vite | Schraube | Vis | |
| 38 | 112290800/0 | 1 | Nut | Dado | Nuss | Ecrou | |
| 39 | 112726389/0 | 2 | Screw | Vite | Schraube | Vis | |
| 40 | 112540020/0 | 2 | Washer | Rondella | Scheibe | Rondelle | |
| 41 | 112521310/0 | 2 | Washer | Rondella | Scheibe | Rondelle | |
| 42 | 114364617/0 | 1 | Label | Etichetta | Etiquette | Etikett | |
| 43 | 125090006/0 | 1 | Choke Control | Comando Starter | Commande Starter | Starter Betaetigung | |
| 44 | 125730023/0 | 1 | Intake Separator | Separatore Aspirazione | Separateur Aspirations | Augenabscheider | |

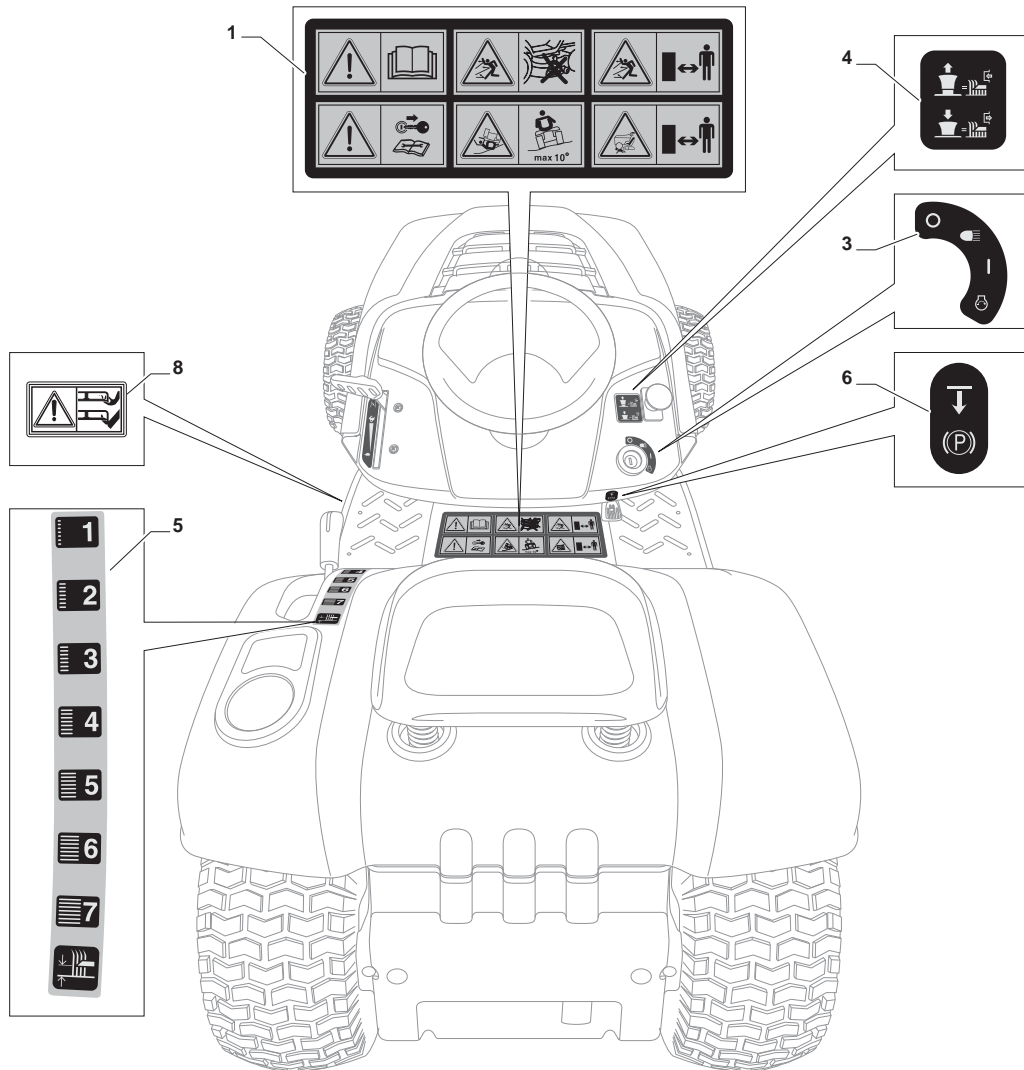


Engine Honda GCV 390

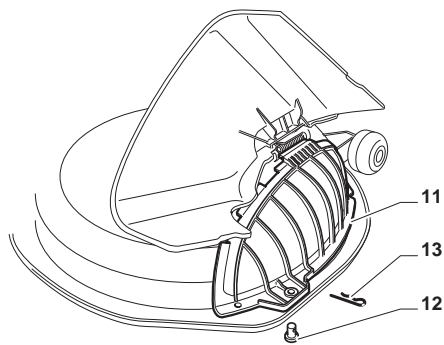
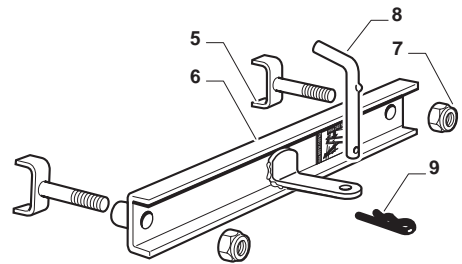
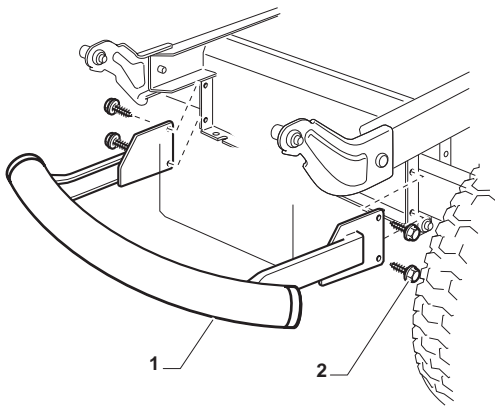
| POS | CODE | Q.TY | DESCRIPTION | DESCRIZIONE | DESCRIPTION | BESCHREIBUNG | NOTES |
|-----|-------------|------|-------------------------|-------------------------|-------------------------|---------------------|-------|
| 1 | 125795001/1 | 1 | Fuel Cap | Tappo Serbatoio | Bouchon | Tankverschluss | |
| 2 | 125943010/0 | 4 | Screw | Vite | Schraube | Vis | |
| 3 | 325735126/0 | 1 | Tank | Serbatoio | Reservoir | Tank | |
| 4 | 325108045/1 | 1 | Conveyor | Convogliatore | Konveyor | Convoyeur | |
| 12 | 325869057/0 | 1 | Connecting Tube | Tube Collegamento | Verbindungsrohr | Tube De Connexion | |
| 13 | 118375051/1 | 2 | Fair Led | Fascetta | Kabelbefestigung | Fixation De Cable | |
| 14 | 118738204/0 | 1 | Connecting Tube | Tube Collegamento | Verbindungsrohr | Tube De Connexion | |
| 15 | 112583500/0 | 2 | Grower | Grower | Federring | Grower | |
| 16 | 112793102/0 | 2 | Screw | Vite | Schraube | Vis | |
| 17 | 112735802/0 | 2 | Screw | Vite | Schraube | Vis | |
| 18 | 112583500/0 | 2 | Grower | Grower | Federring | Grower | |
| 19 | 112691100/0 | 2 | Screw | Vite | Schraube | Vis | |
| 20 | 112154210/0 | 2 | Nut | Dado | Nuss | Ecrou | |
| 21 | 112155000/0 | 1 | Nut | Dado | Nuss | Ecrou | |
| 22 | 127598060/0 | 1 | Oil Discharge Extension | Prolunga Scarico Olio | Rallonge Dechargement H | Öl Abfluss | |
| 23 | 118737849/0 | 1 | Plug | Plug | Plug | Plug | |
| 24 | 118401001/1 | 1 | Oil Seal | Guarnizione | Garniture | Dichtung | |
| 25 | 112792611/0 | 2 | Screw | Vite | Schraube | Vis | |
| 26 | 112540260/0 | 2 | Grower | Grower | Federring | Grower | |
| 27 | 182750010/0 | 1 | Muffler | Silenziatore | Silencieux | Schalldämpfer | |
| 28 | 112360425/0 | 2 | Nut | Dado | Nuss | Ecrou | |
| 29 | 382598053/0 | 1 | Muffler Protection | Protezione Silenziatore | Protection Silencieux | Auspuffschutz | |
| 30 | 125943012/0 | 2 | Screw | Vite | Schraube | Vis | |
| 31 | 112583500/0 | 2 | Grower | Grower | Federring | Grower | |
| 32 | 112791213/1 | 2 | Screw | Vite | Schraube | Vis | |
| 33 | 112154510/0 | 2 | Nut | Dado | Nuss | Ecrou | |
| 34 | 133567000/0 | 1 | Relay | Relay | Relay | Relay | |
| 35 | 325394531/0 | 1 | Knob | Manopolina | Poignée | Griff | |
| 36 | 184000251/1 | 1 | Accelerator | Acceleratore | Commande d'accélération | Gashebelgestange | |
| 37 | 112726389/0 | 1 | Screw | Vite | Schraube | Vis | |
| 38 | 112290800/0 | 1 | Nut | Dado | Nuss | Ecrou | |
| 39 | 112726389/0 | 2 | Screw | Vite | Schraube | Vis | |
| 40 | 112540020/0 | 2 | Washer | Rondella | Scheibe | Rondelle | |
| 41 | 112521310/0 | 2 | Washer | Rondella | Scheibe | Rondelle | |
| 42 | 114363697/0 | 1 | Label | Etichetta | Etiquette | Etikett | |
| 43 | 125090006/0 | 1 | Choke Control | Comando Starter | Commande Starter | Starter Betaetigung | |
| 44 | 125730023/0 | 1 | Intake Separator | Separatore Aspirazione | Separateur Aspirations | Augenabscheider | |



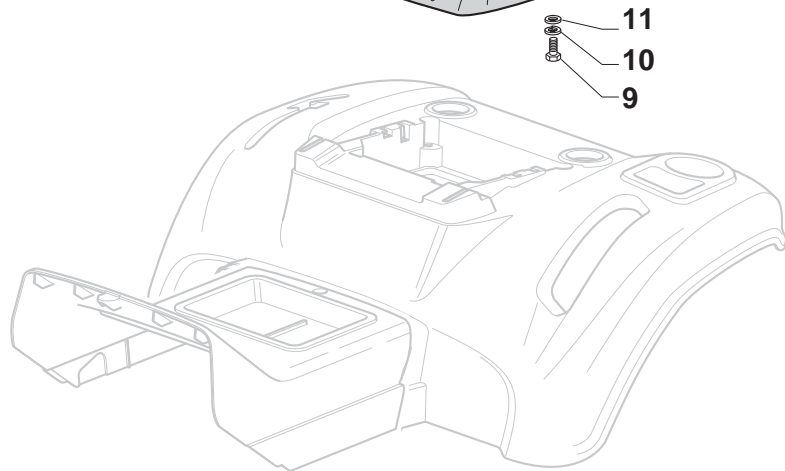
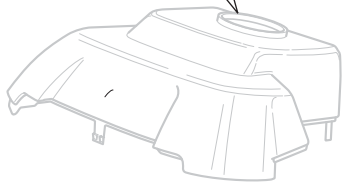
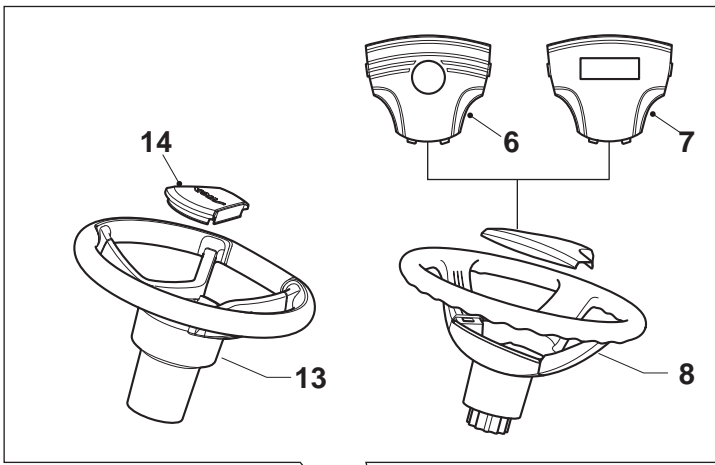
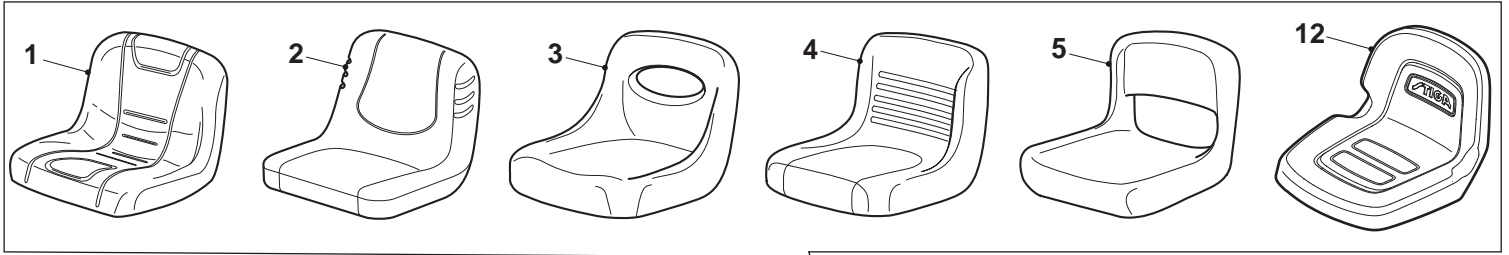
| Electrical Parts | | | | | | | |
|------------------|-------------|------|-----------------|-------------------------|------------------------|---------------------|------------------------------------|
| POS | CODE | Q.TY | DESCRIPTION | DESCRIZIONE | DESCRIPTION | BESCHREIBUNG | NOTES |
| 1 | 182040157/0 | 1 | Cables Ass.Y | Cablaggio | Ens. Cablages | Kabelsatz | models with lamp and Honda Engines |
| 1 | 182040158/0 | 1 | Cables Ass.Y | Cablaggio | Ens. Cablages | Kabelsatz | for hydro Version |
| 2 | 125722433/0 | 1 | Electronic Card | Scheda Elettronica | Carte Electronique | Elektronische Karte | for GGP Engine |
| 2 | 382722429/0 | 1 | Electronic Card | Scheda Elettronica | Carte Electronique | Elektronische Karte | for B&S-Honda Engine |
| 3 | 112735101/0 | 1 | Screw | Vite | Vis | Schraube | |
| 4 | 118450075/0 | 1 | Starting Switch | Interruttore Avviamento | Interrupteur Demarrage | Schalter | |
| 5 | 325600080/0 | 1 | Card Protection | Protezione Scheda | Protection De Carte | Karteschutz | |
| 6 | 118210023/0 | 1 | Starting Key | Chiave Avviamento | Clef A Demarrage | Schlüssel Für Start | |
| 7 | 118120002/1 | 1 | Battery | Batteria | Batterie | Batterie | |
| 8 | 125430265/1 | 1 | Spring | Molla | Ressort | Feder | |
| 9 | 118400863/0 | 1 | Screwed Ring | Ghiera | Manchon Expansible | Nutmutter | |
| 15 | 133215000/0 | 2 | Cover | Coperchio Membrana | Couvercle Membrane | Deckel Membran | |
| 16 | 133340036/0 | 1 | Fuse 25 A | Fusibile 25 A | Fusible 25 A | Sicherung 25 A | |
| 16 | 133340040/0 | 1 | Fuse 10A | Fusibile 10A | Fusible 10A | Sicherung 10A | |
| 17 | 133500007/0 | 2 | Fuse Carrier | Portafusibile | Tableau De Fusible | Sicherunghalter | |
| 18 | 118450074/0 | 1 | Clutch Switch | Interruttore Frizione | Interrupteur Embrajage | Kupplung Schalter | |
| 19 | 119410613/0 | 2 | Micro Switch | Micro Interruttore | Microinterrupteur | Mikroschalter | |
| 20 | 182040186/0 | 1 | Lamp Holder | Portalampane | Douille De Lampe | Scheinwerferlampe | for Lamp Version |
| 20 | 182040191/0 | 1 | Lamp Holder | Portalampane | Douille De Lampe | Scheinwerferlampe | for LED Version |
| 21 | 118459100/0 | 2 | Lamp For Lights | Lamp For Lights | Lamp For Lights | Lamp For Lights | |
| 25 | 182180090/0 | 1 | Battery Charger | Carica Batteria | Chargeur De Batterie | Ladgerät | EU Plug |
| 25 | 182180091/0 | 1 | Battery Charger | Carica Batteria | Chargeur De Batterie | Ladgerät | UK Plug |



| Labels | | | | | | | | |
|--------|-------------|------|-------------|-------------|-------------|--------------|-------|--|
| POS | CODE | Q.TY | DESCRIPTION | DESCRIZIONE | DESCRIPTION | BESCHREIBUNG | NOTES | |
| 1 | 114362365/1 | 1 | Label | Etichetta | Etiquette | Etikett | | |
| 3 | 114363699/0 | 1 | Label | Etichetta | Etiquette | Etikett | | |
| 4 | 114361438/0 | 1 | Label | Etichetta | Etiquette | Etikett | | |
| 5 | 114363701/0 | 1 | Label | Etichetta | Etiquette | Etikett | | |
| 6 | 114363700/0 | 1 | Label | Etichetta | Etiquette | Etikett | | |
| 8 | 114356699/1 | 1 | Label | Etichetta | Etiquette | Etikett | | |



| Optionals On Request | | | | | | | |
|----------------------|-------------|------|--------------------|-------------------------|-----------------------|---------------|-------|
| POS | CODE | Q.TY | DESCRIPTION | DESCRIZIONE | DESCRIPTION | BESCHREIBUNG | NOTES |
| 1 | 382869038/0 | 1 | Muffler Protection | Protezione Silenziatore | Protection Silencieux | Auspuffschutz | |
| 2 | 125943008/0 | 4 | Screw | Vite | Vis | Schraube | |
| 5 | 382650211/0 | 2 | Stiffening | Rinforzo | Renforcement | Verstaerkung | |
| 6 | 382033111/0 | 1 | Rod | Asta | Tige | Stange | |
| 7 | 112155000/0 | 2 | Nut | Dado | Ecrou | Mutter | |
| 8 | 125510021/1 | 1 | Hitch Pin | Perno | Pivot | Bolzen | |
| 9 | 124487999/0 | 1 | Spring Pin | Coppiglia | Goupille | Split | |
| 11 | 325140101/0 | 1 | Deflector | Deflettore | Deflecteur | Abweiser | |
| 12 | 125510111/0 | 1 | Pin | Perno | Pivot | Bolzen | |
| 13 | 124487998/0 | 1 | Cotter Pin | Coppiglia | Goupille | Split | |



| Seat & Steering Wheel | | | | | | | |
|-----------------------|-------------|------|----------------|----------------|---------------|---------------|--------------|
| POS | CODE | Q.TY | DESCRIPTION | DESCRIZIONE | DESCRIPTION | BESCHREIBUNG | NOTES |
| 1 | 125722472/0 | 1 | Seat | Sedile | Siege | Sitz | |
| 2 | 125722463/0 | 1 | Seat | Sedile | Siege | Sitz | |
| 3 | 125722453/1 | 1 | Seat | Sedile | Siege | Sitz | |
| 3 | 125722453/1 | 1 | Seat | Sedile | Siege | Sitz | |
| 4 | 125722471/0 | 1 | Seat | Sedile | Siege | Sitz | |
| 5 | 125722456/0 | 1 | Seat | Sedile | Siege | Sitz | |
| 6 | 325580503/0 | 1 | Steering Plate | Placca Volante | Plaque Volant | Lenkradplatte | Round Plate |
| 7 | 325580504/0 | 1 | Steering Plate | Placca Volante | Plaque Volant | Lenkradplatte | Square Plate |
| 8 | 325961219/0 | 1 | Steering Wheel | Volante | Volant | Lenkrad | |
| 9 | 112792611/0 | 4 | Screw | Vite | Vis | Schraube | |
| 10 | 112540260/0 | 4 | Grower | Grower | Grower | Federring | |
| 11 | 112523060/0 | 4 | Washer | Rondella | Rondelle | Scheibe | |
| 12 | 125722477/0 | 1 | Seat | Sedile | Siege | Sitz | |
| 13 | 325961221/1 | 1 | Steering Wheel | Volante | Volant | Lenkrad | |
| 14 | 325580508/0 | 1 | Steering Plate | Placca Volante | Plaque Volant | Lenkradplatte | STIGA Plate |