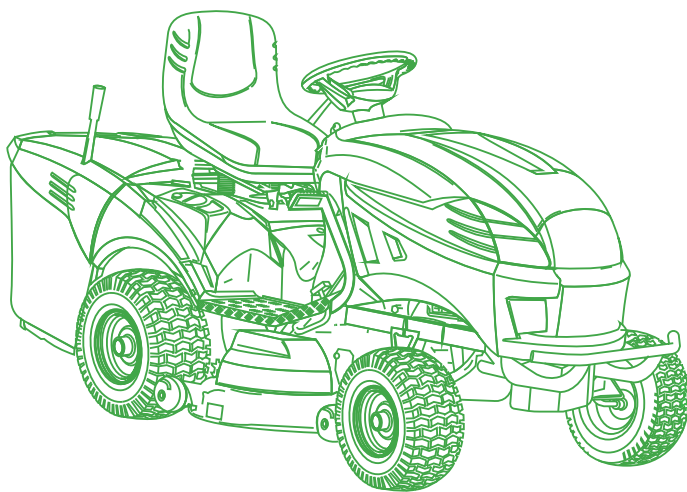


ILLUSTRATED PARTS LIST

TH4S 102 Hydro

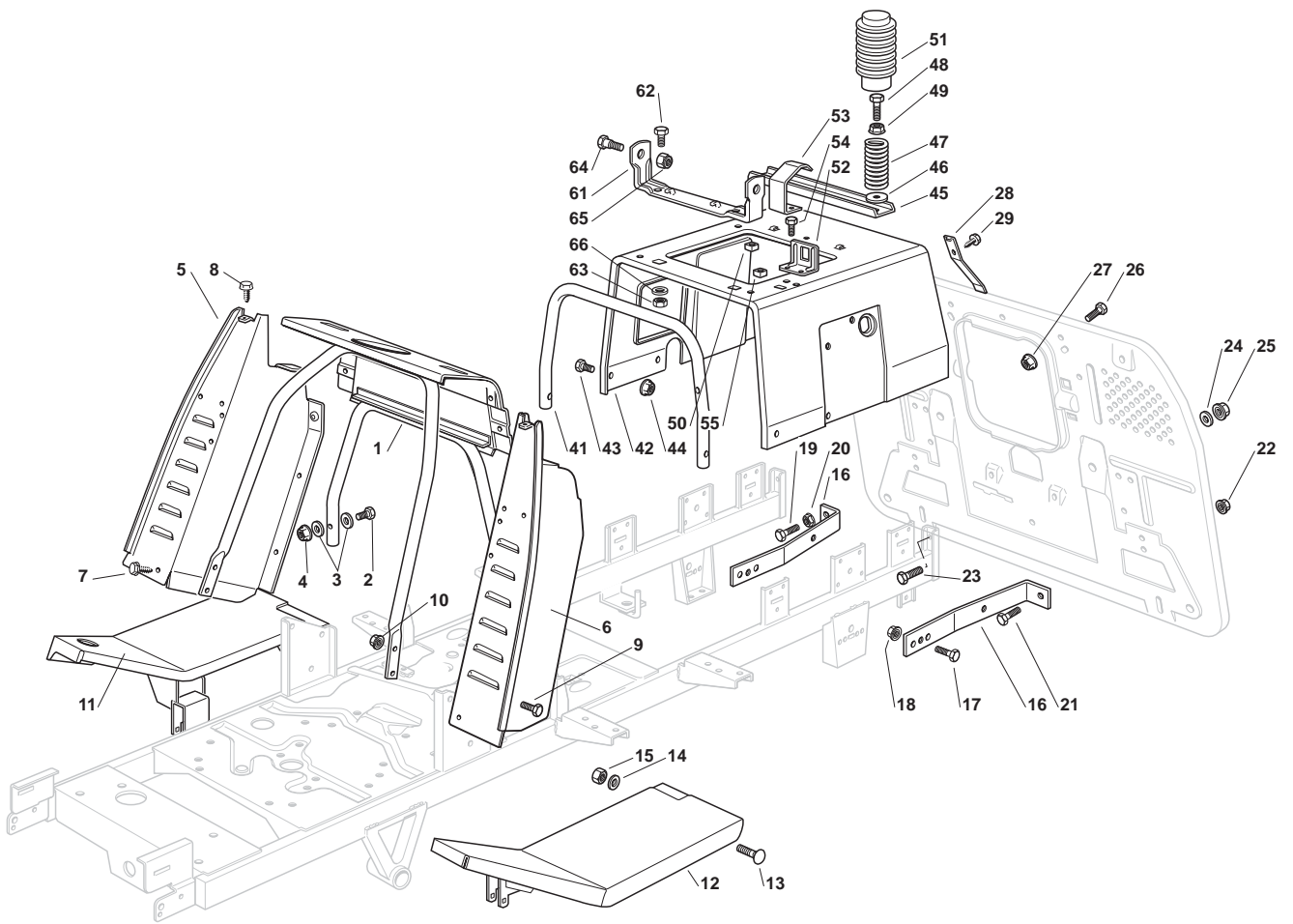


- Use GLOBAL GARDEN PRODUCT Genuine Spare Parts specified in the parts list for repair and/or replacement.
- The contents described in the parts list may change due to improvement.
- The drawings of the spare parts are only indicative and might not represent the part in question exactly.
- The indications "right" - "left" - "front" - "rear" refer to the position of the operator when using the machine.
- When placing orders of parts for repair and/or replacement, make sure that the illustrated parts list is the one applying to the machine's year of manufacture, as shown on the identification plate attached to the machine.

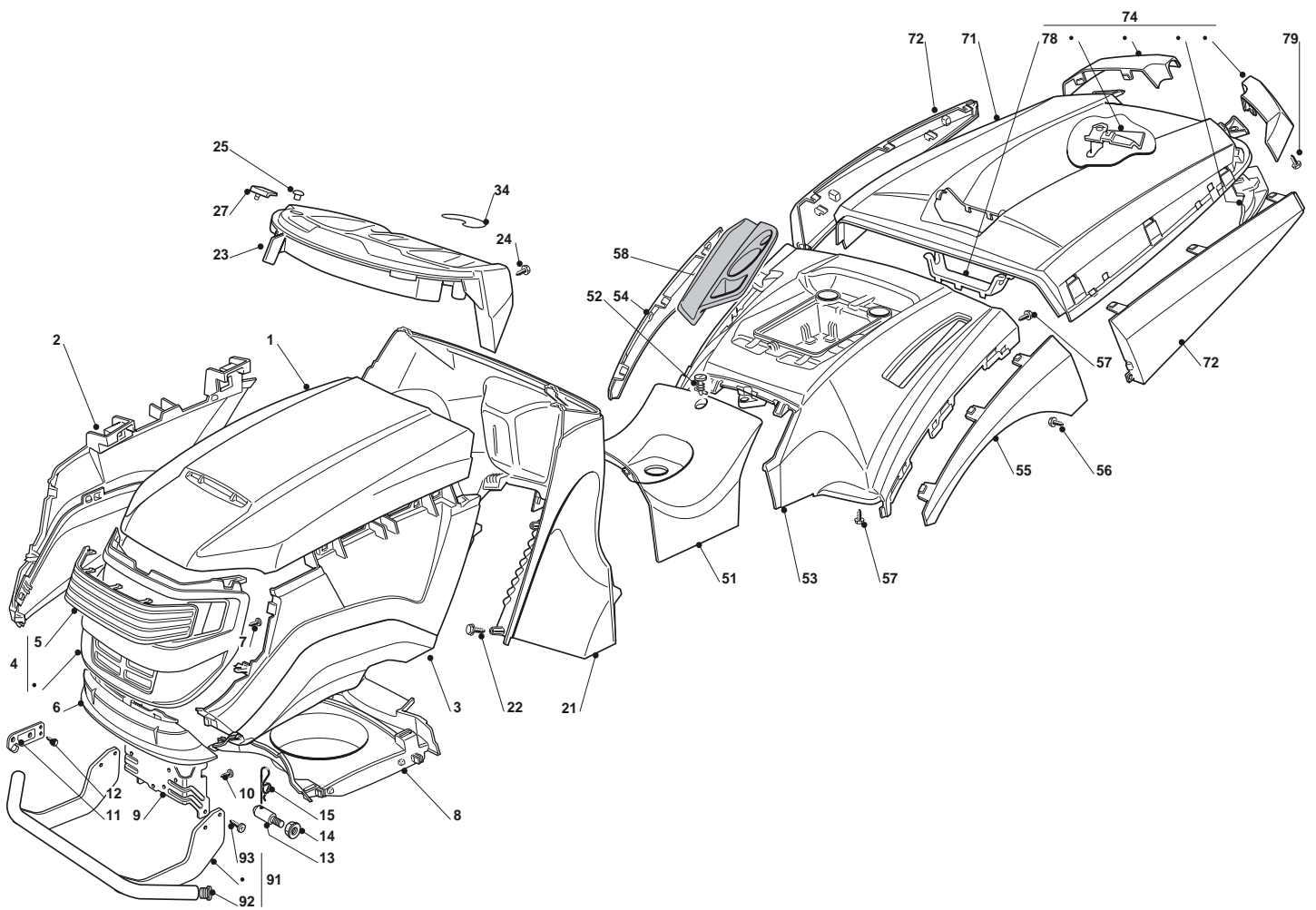
© Copyright 2013 Global Garden Products

All content is subject to copyright by Global Garden Products and may not be reproduced in whole or in part by any means, electronic or otherwise, without prior written approval.

THIS INFORMATION IS NOT INTENDED FOR SALE OR RESALE, AND THIS NOTICE MUST REMAIN ON ALL COPIES.



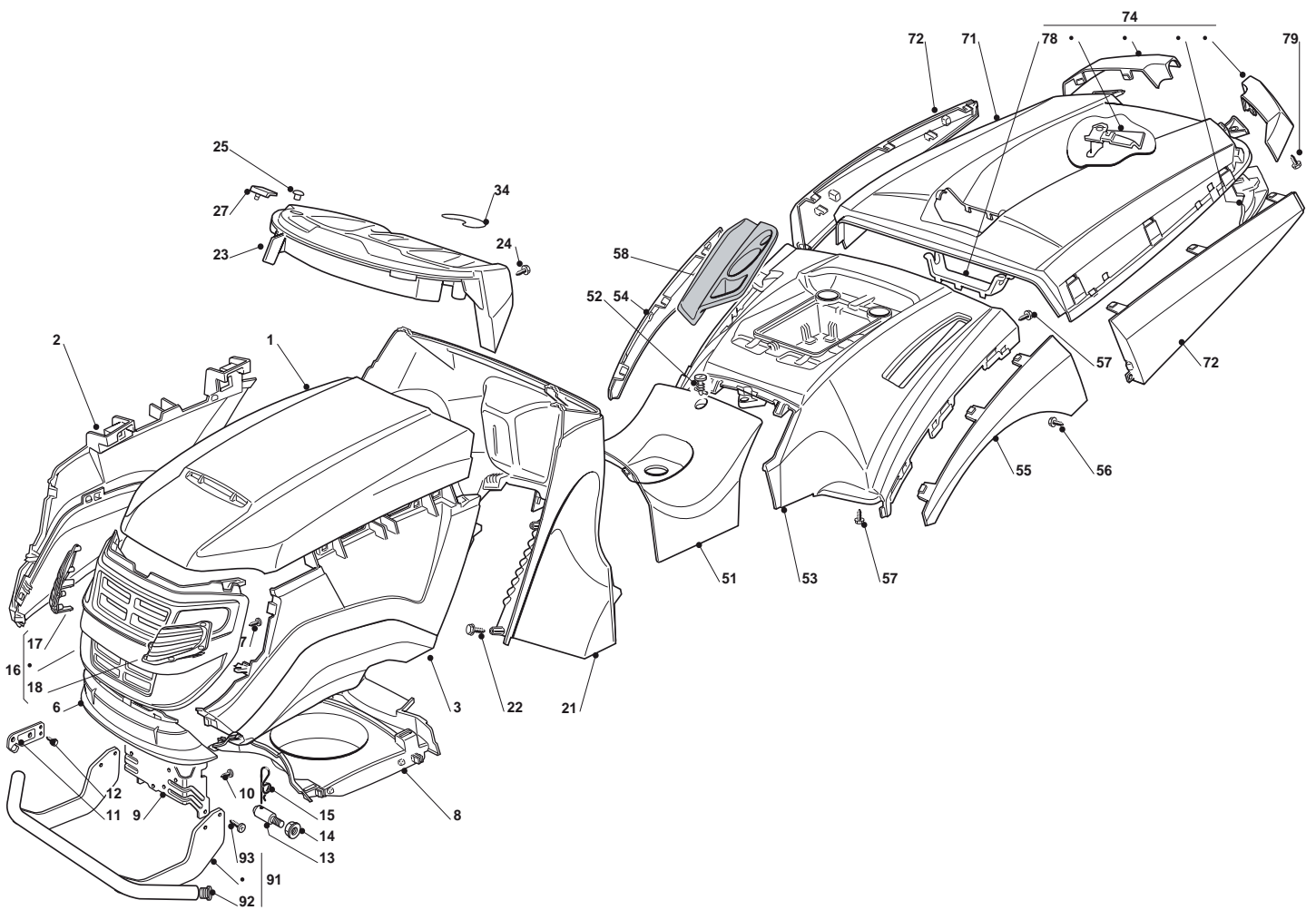
| Chassis | | | | | | | |
|---------|-------------|------|-------------------------|---------------------------|------------------------|-----------------------|-------|
| POS | CODE | Q.TY | DESCRIPTION | DESCRIZIONE | DESCRIPTION | BESCHREIBUNG | NOTES |
| 1 | 382785247/1 | 1 | Stiffening | Rinforzo | Renforcement | Verstaerkung | |
| 2 | 112674550/0 | 2 | Screw | Vite | Vis | Schraube | |
| 3 | 112523040/0 | 4 | Washer | Rondella | Rondelle | Scheibe | |
| 4 | 112292102/0 | 2 | Nut | Dado | Ecrou | Nuss | |
| 5 | 382785022/9 | 1 | Right Dashboard Support | Supp. Cruschetto Destro | Support Tableau Droit | Rechter Konsolehalter | |
| 6 | 382785021/8 | 1 | Left Dashboard Support | Supp. Cruschetto Sinistro | Support Tableau Gauche | Linker Konsolehalter | |
| 7 | 112735110/0 | 2 | Screw | Vite | Vis | Schraube | |
| 8 | 112735110/0 | 2 | Screw | Vite | Vis | Schraube | |
| 9 | 112791400/0 | 6 | Screw | Vite | Vis | Schraube | |
| 10 | 112292102/0 | 6 | Nut | Dado | Ecrou | Nuss | |
| 11 | 325500046/0 | 1 | Right Footboard | Pedana Destra | Marchepied Droit | Rechte Fussbrett | |
| 12 | 325500047/0 | 1 | Left Footboard | Pedana Sinistra | Marchepied Gauche | Linke Fussbrett | |
| 13 | 112728689/0 | 4 | Screw | Vite | Vis | Schraube | |
| 14 | 112523040/0 | 4 | Washer | Rondella | Rondelle | Scheibe | |
| 15 | 112523030/0 | 4 | Washer | Rondella | Rondelle | Scheibe | |
| 16 | 325774273/1 | 2 | Stiffening | Rinforzo | Renforcement | Verstaerkung | |
| 17 | 112793102/0 | 2 | Screw | Vite | Vis | Schraube | |
| 18 | 112293201/0 | 2 | Nut | Dado | Ecrou | Nuss | |
| 19 | 112691100/0 | 1 | Screw | Vite | Vis | Schraube | |
| 20 | 112293200/0 | 1 | Nut | Dado | Ecrou | Nuss | |
| 21 | 112792611/0 | 1 | Screw | Vite | Vis | Schraube | |
| 22 | 112293201/0 | 2 | Nut | Dado | Ecrou | Nuss | |
| 23 | 112794300/0 | 2 | Screw | Vite | Vis | Schraube | |
| 24 | 112521360/0 | 2 | Washer | Rondella | Rondelle | Scheibe | |
| 25 | 112156602/0 | 2 | Nut | Dado | Ecrou | Nuss | |
| 26 | 112791011/0 | 5 | Screw | Vite | Vis | Schraube | |
| 27 | 112292102/0 | 5 | Nut | Dado | Ecrou | Nuss | |
| 28 | 125430238/0 | 1 | Spring | Molla | Ressort | Feder | |
| 29 | 112731580/0 | 1 | Screw | Vite | Vis | Schraube | |
| 41 | 325869085/0 | 1 | Stiffening | Rinforzo | Renforcement | Verstaerkung | |
| 42 | 325785133/5 | 1 | Seat Support | Supporto Sedile | Support Siege | Sitzhalter | |
| 43 | 112791011/0 | 8 | Screw | Vite | Vis | Schraube | |
| 44 | 112292102/0 | 8 | Nut | Dado | Ecrou | Nuss | |
| 45 | 325650067/0 | 1 | Stiffening | Rinforzo | Renforcement | Verstaerkung | |
| 46 | 112523070/0 | 2 | Washer | Rondella | Rondelle | Scheibe | |
| 47 | 125430205/1 | 2 | Spring | Molla | Ressort | Feder | |
| 48 | 125943001/1 | 2 | Screw | Vite | Vis | Schraube | |
| 49 | 112293201/0 | 2 | Nut | Dado | Ecrou | Nuss | |
| 50 | 112360420/0 | 2 | Nut | Dado | Ecrou | Nuss | |
| 51 | 325737002/0 | 2 | Hood | Cuffia | Protecteur | Schutzkasten | |
| 52 | 325755025/2 | 1 | Bracket | Squadretta | Equerre-Support | Winkel | |
| 53 | 325430255/0 | 1 | Spring | Molla | Ressort | Feder | |
| 54 | 112735110/0 | 2 | Screw | Vite | Vis | Schraube | |
| 55 | 112437502/0 | 2 | Plate | Plate | Plate | Plate | |
| 61 | 382774207/0 | 1 | Seat Clamp Support | Staffa Supporto Sedile | Etrier Support Siege | Bride F. Sitzhalter | |
| 62 | 112691115/0 | 2 | Screw | Vite | Vis | Schraube | |
| 63 | 112155000/0 | 2 | Nut | Dado | Ecrou | Nuss | |
| 64 | 122524970/2 | 2 | Fulcrum Pin | Perno Fulcro | Pivot | Gelenkpunkt | |
| 65 | 112155010/0 | 2 | Nut | Dado | Ecrou | Nuss | |
| 66 | 112523070/0 | 2 | Washer | Rondella | Rondelle | Scheibe | |



Body

In parts list notes identify as model with Mono Lights TS

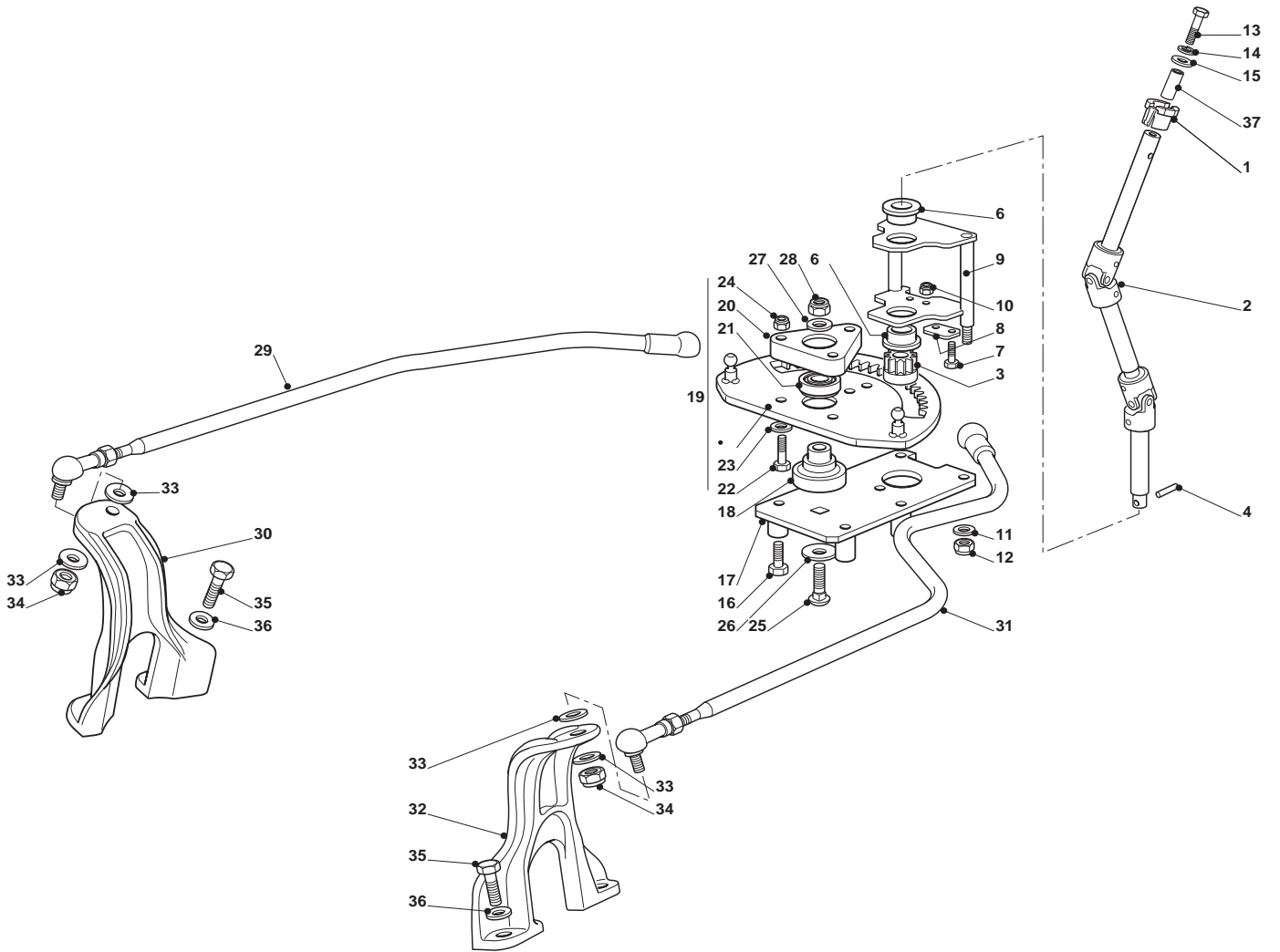
| POS | CODE | Q.TY | DESCRIPTION | DESCRIZIONE | DESCRIPTION | BESCHREIBUNG | NOTES |
|-----|-------------|------|-----------------------------------|-----------------------------------|---------------------------------|-----------------------------------|-------|
| 1 | 325076871/0 | 1 | Upper Engine Hood, Red | Cofano Superiore Rosso | Capot Rouge | Haubesatz Rot | |
| 2 | 382394620/0 | 1 | Hood, Right | Cofano Dx | Capot Droit | Rechte Haube | |
| 3 | 382394621/0 | 1 | Hood, Left | Cofano Sx | Capot Gauche | Linke Haube | |
| 4 | 382394618/0 | 1 | Hood, Front | Cofano Frontale | Capot Avant | Vorde Haube | |
| 5 | 325410878/0 | 1 | Grill | Mascherina | Panneau | Schutz | |
| 6 | 325076877/0 | 1 | Lower Red Hood, Front | Cofano Frontale Inferiore - Rosso | Capot Avant | Vorde Haube | |
| 7 | 112735403/0 | 6 | Screw | Vite | Vis | Schraube | |
| 8 | 325108031/0 | 1 | Conveyor | Convogliatore | Convoyeur | Konveyor | |
| 9 | 325774301/2 | 1 | Engine Hood Support | Supporto Cofano | Support Capot | Haubehalter | |
| 10 | 112735403/0 | 5 | Screw | Vite | Vis | Schraube | |
| 11 | 325547159/1 | 2 | Plate | Piastrina | Plaquette | Plättchen | |
| 12 | 112731580/0 | 4 | Screw | Vite | Vis | Schraube | |
| 13 | 125510079/1 | 2 | Pin | Perno | Pivot | Bolzen | |
| 14 | 112293201/0 | 2 | Nut | Dado | Ecrou | Nuss | |
| 15 | 124487998/0 | 1 | Cotter Pin | Copiglia | Goupille | Split | |
| 21 | 325785228/1 | 1 | Dashboard Support | Supporto Cruscotto | Support Tableau Comm. | Konsolehalter | |
| 22 | 112735403/0 | 7 | Screw | Vite | Vis | Schraube | |
| 23 | 325120211/0 | 1 | Dashboard, Red (Cruise Control) | Cruscotto, Rosso (Cruise Control) | Console, Rouge (Cruise Control) | Konsole, Rot (Cruise Control) | |
| 23 | 325120213/0 | 1 | Dashboard, Black (Cruise Control) | Cruscotto, Nero (Cruise Control) | Console, Noir (Cruise Control) | Konsole, Schwarz (Cruise Control) | |
| 24 | 112728440/0 | 4 | Screw | Vite | Vis | Schraube | |
| 25 | 125120200/0 | 2 | Cap | Tappo | Bouchon | Stopfen | |
| 27 | 125260000/0 | 2 | Grommet | Gommino | Caoutchouc | Gummi | |
| 34 | 325207185/0 | 1 | Cover | Coperchio | Couvercle | Deckel | |
| 51 | 325110386/0 | 1 | Cover | Coperchio | Couvercle | Deckel | |
| 52 | 125580020/2 | 1 | Pin | Perno | Pivot | Bolzen | |
| 53 | 325109744/0 | 1 | Red Wheels Cover | Copertura Ruote Rosso | Couvre Roues Rouge | Radenkappe Rot | |
| 54 | 325109753/0 | 1 | Right Wheel Cover | Copriruota Destro | Couvre-Roue Droit | Rechte Radkappe | |
| 55 | 325109752/0 | 1 | Left Wheel Cover | Copriruota Sinistro | Couvre-Roue Gauche | Linke Radkappe | |
| 56 | 112728686/0 | 2 | Screw | Vite | Vis | Schraube | |
| 57 | 112735402/0 | 4 | Screw | Vite | Vis | Schraube | |
| 58 | 325207184/0 | 1 | Cover | Coperchio | Couvercle | Deckel | |
| 71 | 325110302/0 | 1 | Red Grass-Catcher Cover | Copertura Sacco Rosso | Couvre-Bac, Rouge | Sackkappe, Rot | |
| 72 | 382110255/0 | 1 | Cover Assy | Ass. Cappottina | Ens. Capot | Satz Haube | |
| 74 | 382110259/0 | 1 | Angles Assy | Assieme Angolari | Corniere Ens. | Winkelprofil | |
| 78 | 325394009/0 | 1 | Handle Cover | Copertura Maniglia | Couvre-Poignee | Griffkappe | |
| 79 | 112735403/0 | 4 | Screw | Vite | Vis | Schraube | |
| 91 | 382869039/0 | 1 | Muffler Protection | Protezione Silenziatore | Protection Silencieux | Auspuffschutz | |
| 92 | 118737860/0 | 2 | Cap | Tappo | Bouchon | Stopfen | |
| 93 | 112734995/0 | 4 | Screw | Vite | Vis | Schraube | |



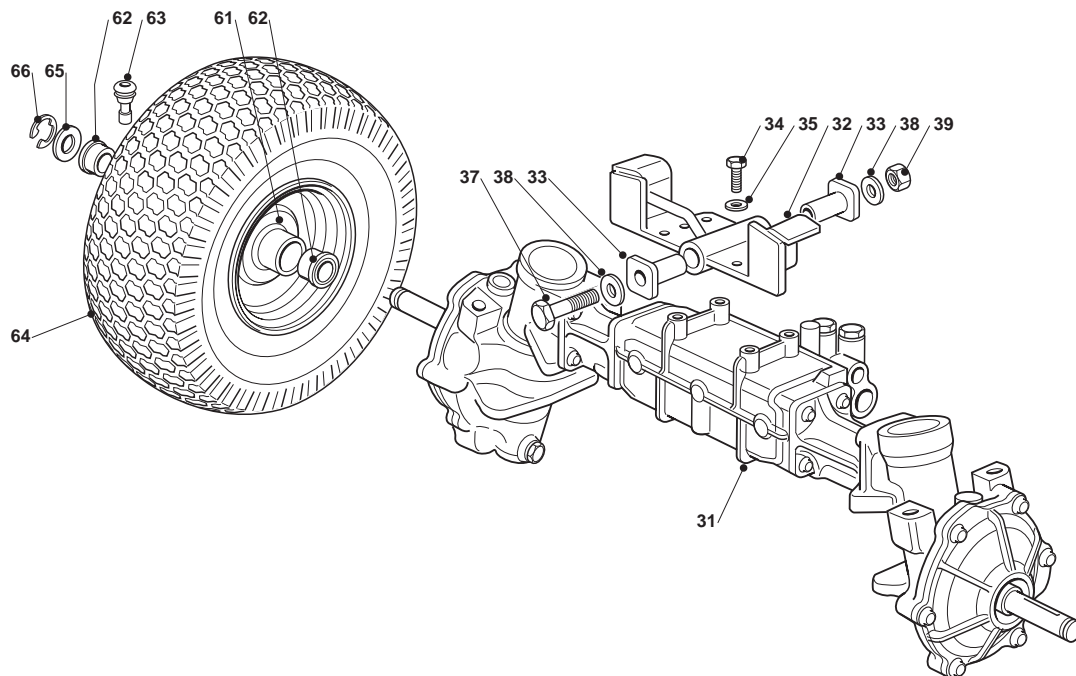
Body

 In parts list notes identify as model with Two Lights **TS**

| POS | CODE | Q.TY | DESCRIPTION | DESCRIZIONE | DESCRIPTION | BESCHREIBUNG | NOTES |
|-----|-------------|------|-----------------------------------|-----------------------------------|---------------------------------|-----------------------------------|-------|
| 1 | 325076871/0 | 1 | Upper Engine Hood, Red | Cofano Superiore Rosso | Capot Rouge | Haubesatz Rot | |
| 2 | 382394620/0 | 1 | Hood, Right | Cofano Dx | Capot Droit | Rechte Haube | |
| 3 | 382394621/0 | 1 | Hood, Left | Cofano Sx | Capot Gauche | Linke Haube | |
| 6 | 325076877/0 | 1 | Lower Red Hood, Front | Cofano Frontale Inferiore - | Capot Avant | Vorde Haube | |
| 7 | 112735403/0 | 6 | Screw | Vite | Vis | Schraube | |
| 8 | 325108031/0 | 1 | Conveyor | Convogliatore | Convoyeur | Konveyor | |
| 9 | 325774301/2 | 1 | Engine Hood Support | Supporto Cofano | Support Capot | Haubehalter | |
| 10 | 112735403/0 | 5 | Screw | Vite | Vis | Schraube | |
| 11 | 325547159/1 | 2 | Plate | Piastrina | Plaquette | Plättchen | |
| 12 | 112731580/0 | 4 | Screw | Vite | Vis | Schraube | |
| 13 | 125510079/1 | 2 | Pin | Perno | Pivot | Bolzen | |
| 14 | 112293201/0 | 2 | Nut | Dado | Ecrou | Nuss | |
| 15 | 124487998/0 | 1 | Cotter Pin | Copiglia | Goupille | Split | |
| 16 | 382394628/0 | 1 | Hood, Front | Cofano Frontale | Capot Avant | Vorde Haube | |
| 17 | 325410881/0 | 1 | Right Grill | Mascherina Destra | Protection, Droit | Rechte Schutz | |
| 18 | 325410882/0 | 1 | Left Grill | Mascherina Sinistra | Protection, Gauche | Linke Schutz | |
| 21 | 325785228/1 | 1 | Dashboard Support | Supporto Cruscotto | Support Tableau Comm. | Konsolehalter | |
| 22 | 112735403/0 | 7 | Screw | Vite | Vis | Schraube | |
| 23 | 325120211/0 | 1 | Dashboard, Red (Cruise Control) | Cruscotto, Rosso (Cruise Control) | Console, Rouge (Cruise Control) | Konsole, Rot (Cruise Control) | |
| 23 | 325120213/0 | 1 | Dashboard, Black (Cruise Control) | Cruscotto, Nero (Cruise Control) | Console, Noir (Cruise Control) | Konsole, Schwarz (Cruise Control) | |
| 24 | 112728440/0 | 4 | Screw | Vite | Vis | Schraube | |
| 25 | 125120200/0 | 2 | Cap | Tappo | Bouchon | Stopfen | |
| 27 | 125260000/0 | 2 | Grommet | Gommino | Caoutchouc | Gummi | |
| 34 | 325207185/0 | 1 | Cover | Coperchio | Couvercle | Deckel | |
| 51 | 325110386/0 | 1 | Cover | Coperchio | Couvercle | Deckel | |
| 52 | 125580020/2 | 1 | Pin | Perno | Pivot | Bolzen | |
| 53 | 325109744/0 | 1 | Red Wheels Cover | Copertura Ruote Rosso | Couvre Roues Rouge | Radenkappe Rot | |
| 54 | 325109753/0 | 1 | Right Wheel Cover | Copriruota Destro | Couvre-Roue Droit | Rechte Radkappe | |
| 55 | 325109752/0 | 1 | Left Wheel Cover | Copriruota Sinistro | Couvre-Roue Gauche | Linke Radkappe | |
| 56 | 112728686/0 | 2 | Screw | Vite | Vis | Schraube | |
| 57 | 112735402/0 | 4 | Screw | Vite | Vis | Schraube | |
| 58 | 325207184/0 | 1 | Cover | Coperchio | Couvercle | Deckel | |
| 71 | 325110302/0 | 1 | Red Grass-Catcher Cover | Copertura Sacco Rosso | Couvre-Bac, Rouge | Sackkappe, Rot | |
| 72 | 382110255/0 | 1 | Cover Assy | Ass. Cappottina | Ens. Capot | Satz Haube | |
| 74 | 382110259/0 | 1 | Angles Assy | Assieme Angolari | Corniere Ens. | Winkelprofil | |
| 78 | 325394009/0 | 1 | Handle Cover | Copertura Maniglia | Couvre-Poignee | Griffkappe | |
| 79 | 112735403/0 | 4 | Screw | Vite | Vis | Schraube | |
| 91 | 382869039/0 | 1 | Muffler Protection | Protezione Silenziatore | Protection Silencieux | Auspuffschutz | |
| 92 | 118737860/0 | 2 | Cap | Tappo | Bouchon | Stopfen | |
| 93 | 112734995/0 | 4 | Screw | Vite | Vis | Schraube | |
| 78 | 325394009/0 | 1 | Handle Cover | Copertura Maniglia | Couvre-Poignee | Griffkappe | |
| 79 | 112735403/0 | 4 | Screw | Vite | Vis | Schraube | |
| 91 | 382869039/0 | 1 | Muffler Protection | Protezione Silenziatore | Protection Silencieux | Auspuffschutz | |
| 92 | 118737860/0 | 2 | Cap | Tappo | Bouchon | Stopfen | |
| 93 | 112734995/0 | 4 | Screw | Vite | Vis | Schraube | |

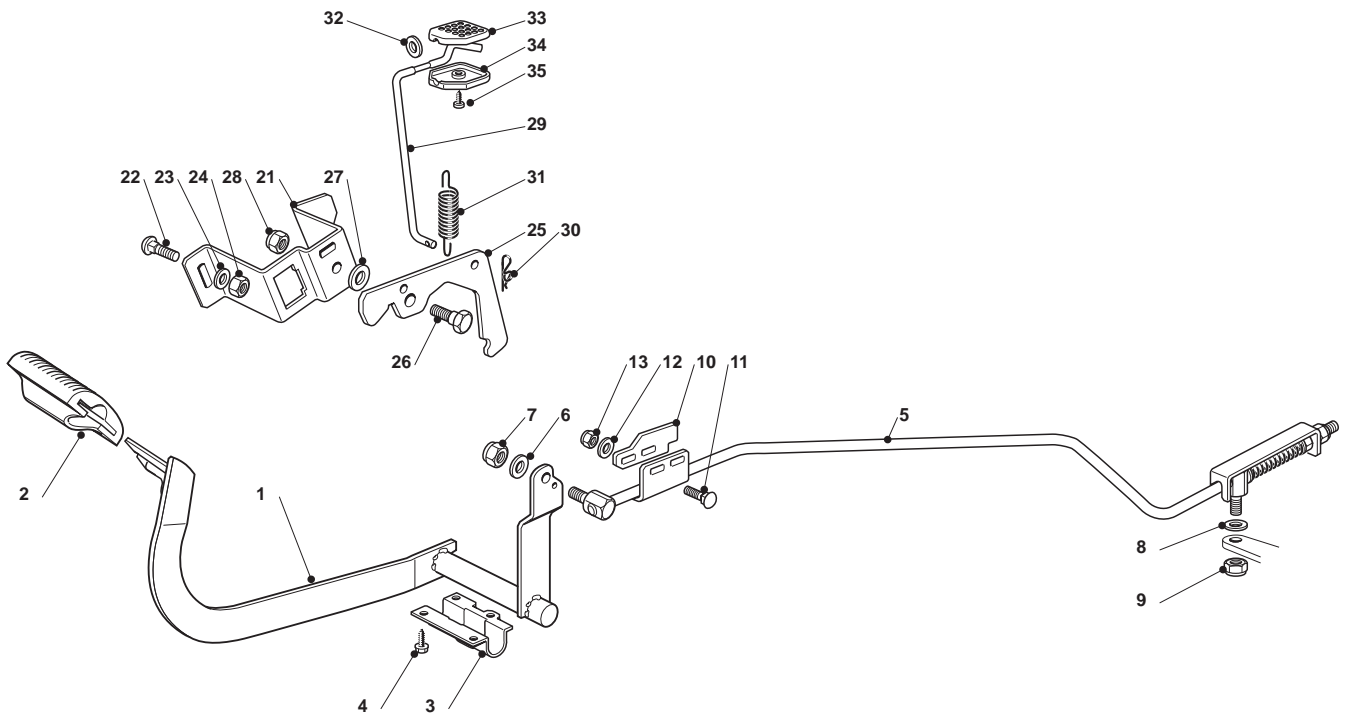


| Steering | | | | | | | |
|----------|-------------|------|----------------------|---------------------|---------------------|------------------------|-------|
| POS | CODE | Q.TY | DESCRIPTION | DESCRIZIONE | DESCRIPTION | BESCHREIBUNG | NOTES |
| 1 | 125034004/0 | 2 | Brass | Bronzina | Coussinet | Büchse | |
| 2 | 382543053/0 | 1 | Steering Column | Piantone Sterzo | Tube De Direction | Lenkungsaeule | |
| 3 | 125570006/1 | 1 | Pinion | Pignone | Pignon | Ritzel | |
| 4 | 112645710/0 | 1 | Elastic Pin | Spina Elastica | Goupille Élastique | Elastischer Stift | |
| 6 | 125034004/0 | 2 | Brass | Bronzina | Coussinet | Büchse | |
| 7 | 112788910/0 | 2 | Screw | Vite | Vis | Schraube | |
| 8 | 325487000/0 | 1 | Plate | Piastra | Plaque | Platte | |
| 9 | 382785209/0 | 1 | Support | Supporto | Support | Halter | |
| 10 | 112154330/0 | 2 | Low Self-Locking Nut | Dado Autobloccante | Écrou auto-bloquant | Selbstsichernde Mutter | |
| 11 | 112521360/0 | 2 | Washer | Rosetta | Rondelle | Scheibe | |
| 12 | 112156602/0 | 2 | Nut | Dado | Ecrou | Mutter | |
| 13 | 112691800/0 | 1 | Screw | Vite | Vis | Schraube | |
| 14 | 112583500/0 | 1 | Grower | Grower | Grower | Federring | |
| 15 | 112523060/0 | 1 | Washer | Rosetta | Rondelle | Scheibe | |
| 16 | 112735108/1 | 4 | Screw | Vite | Vis | Schraube | |
| 17 | 382785207/0 | 1 | Support | Supporto | Support | Halter | |
| 18 | 125040641/0 | 1 | Support | Supporto | Support | Halter | |
| 19 | 382735523/0 | 1 | Steering Shaft | Settore Sterzo | Secteur Direction | Lenkkranz | |
| 20 | 325774453/0 | 1 | Clamp | Staffa | Etrier | Bride | |
| 21 | 119216047/0 | 1 | Bearing | Cuscinetto | Roul. À Billes | Kugellager | |
| 22 | 112691100/0 | 3 | Screw | Vite | Vis | Schraube | |
| 23 | 112523060/0 | 3 | Washer | Rosetta | Rondelle | Scheibe | |
| 24 | 112155000/0 | 3 | Nut | Dado | Ecrou | Mutter | |
| 25 | 112819600/0 | 1 | Screw | Vite | Vis | Schraube | |
| 26 | 112521395/0 | 1 | Washer | Rosetta | Rondelle | Scheibe | |
| 27 | 112521370/0 | 1 | Washer | Rosetta | Rondelle | Scheibe | |
| 28 | 112156603/0 | 1 | Nut | Dado | Ecrou | Mutter | |
| 29 | 382000622/0 | 1 | Steering Rod | Asta Comando Sterzo | Barre De Direction | Lenkungsstab | |
| 30 | 325774491/1 | 1 | Clamp | Staffa | Etrier | Bride | |
| 31 | 382000624/0 | 1 | Steering Rod | Asta Comando Sterzo | Barre De Direction | Lenkungsstab | |
| 32 | 325774393/0 | 1 | Clamp | Staffa | Etrier | Bride | |
| 33 | 112522050/0 | 4 | Washer | Rosetta | Rondelle | Scheibe | |
| 34 | 112155700/0 | 2 | Nut | Dado | Ecrou | Mutter | |
| 35 | 112760585/0 | 4 | Screw | Vite | Vis | Schraube | |
| 36 | 112521370/0 | 4 | Washer | Rosetta | Rondelle | Scheibe | |
| 37 | 125160063/0 | 1 | Spacer | Distanziale | Entretoise | Distanzring | |

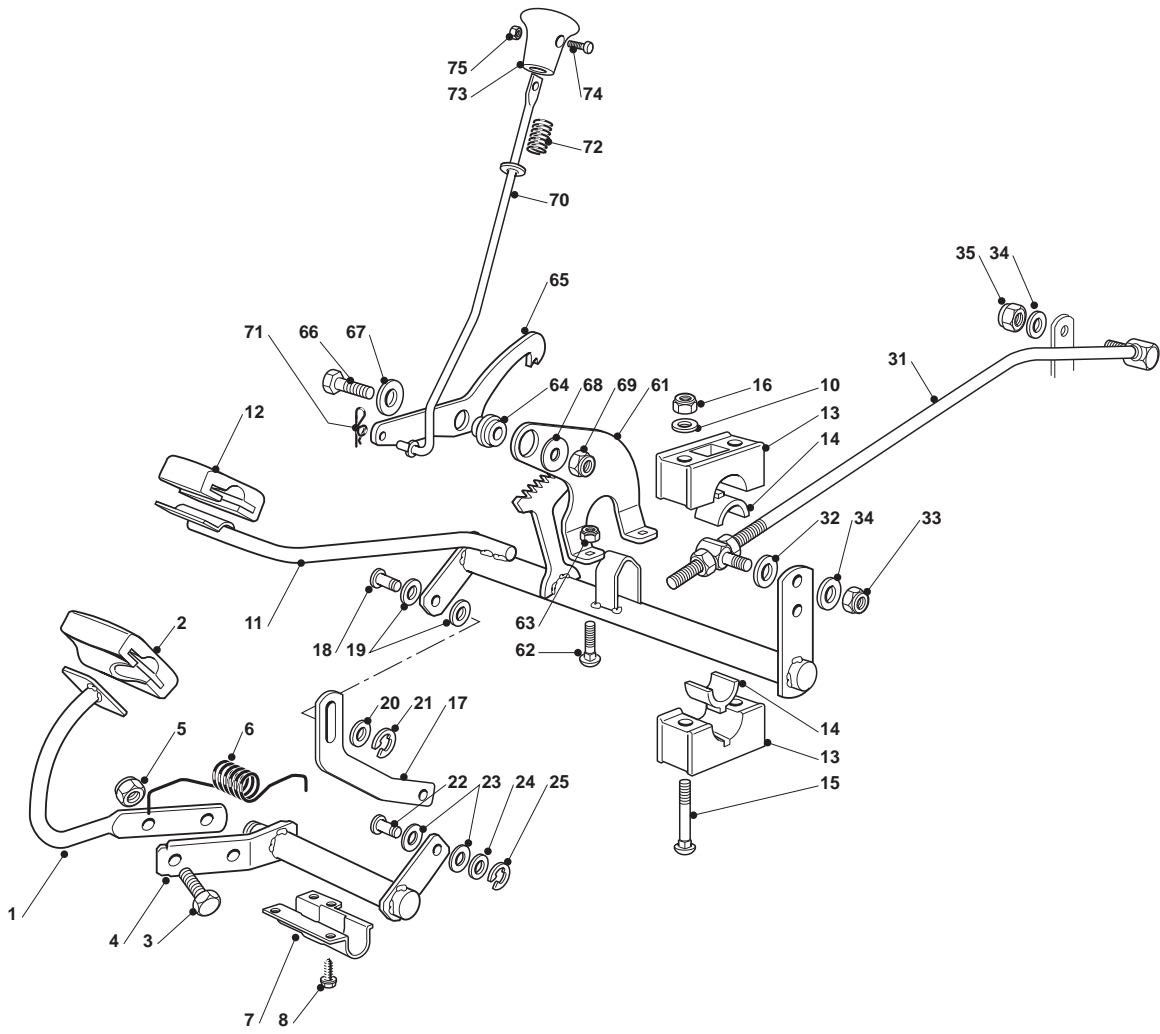


Steering 4WD

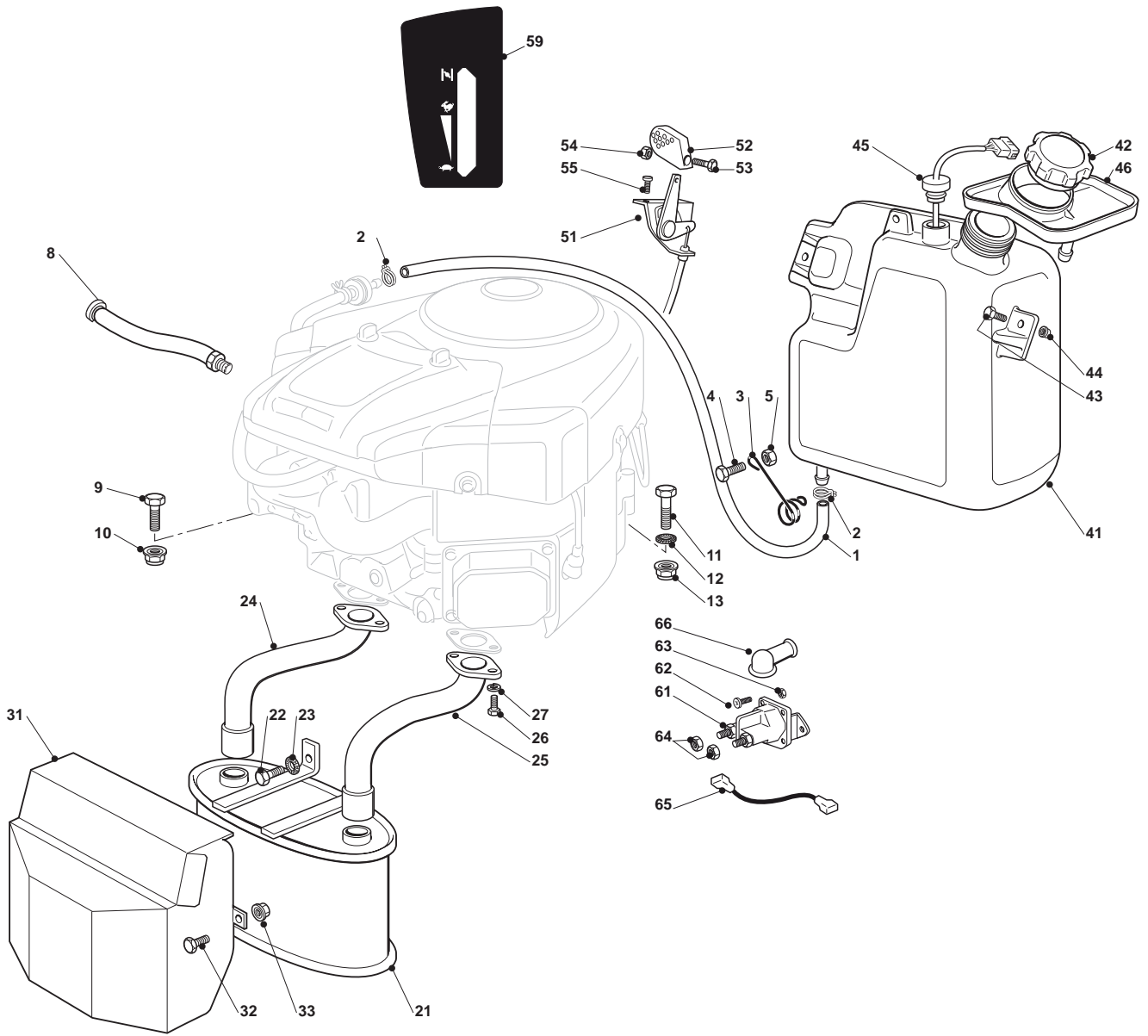
| POS | CODE | Q.TY | DESCRIPTION | DESCRIZIONE | DESCRIPTION | BESCHREIBUNG | NOTES |
|-----|-------------|------|-------------------|---------------------|---------------------|------------------|-------|
| 31 | 118400974/0 | 1 | Transmission Unit | Gruppo Trasmissione | Groupe Transmission | Antriebsgruppe | |
| 32 | 382547057/1 | 1 | Support | Supporto | Support | Halter | |
| 33 | 125040633/0 | 2 | Bushing | Bussola | Bûchse | Douille | |
| 34 | 112760560/0 | 6 | Screw | Vite | Vis | Schraube | |
| 35 | 112585100/0 | 6 | Washer | Rosetta | Rondelle | Scheibe | |
| 37 | 112695900/0 | 1 | Screw | Vite | Vis | Schraube | |
| 38 | 112521395/0 | 2 | Washer | Rosetta | Rondelle | Scheibe | |
| 39 | 112295801/0 | 1 | Nut | Dado | Ecrou | Mutter | |
| 61 | 182000601/1 | 2 | Rimm | Cerchio Ruota | Bandage Roue | Vorderrad Felger | |
| 62 | 125122200/2 | 4 | Bearing | Cuscinetto | Roul. À Billes | Kugellager | |
| 63 | 125950000/0 | 2 | Valve | Valvola | Vanne | Ventil | |
| 64 | 125590012/0 | 2 | Tyre | Pneumatico | Pneu | Reifen | |
| 65 | 125670005/1 | 2 | Washer | Rosetta | Rondelle | Scheibe | |
| 66 | 112001010/0 | 2 | Benzing Ring | Anello Benzing | Anneau Benzing | Ring Benzing | |



| Brake Controls | | | | | | | |
|----------------|-------------|------|---------------------|-----------------------|-----------------------|-----------------------|-------|
| POS | CODE | Q.TY | DESCRIPTION | DESCRIZIONE | DESCRIPTION | BESCHREIBUNG | NOTES |
| 1 | 382500041/0 | 1 | Pedal | Pedal | Pedal | Pedal | |
| 2 | 125110267/0 | 1 | Clamp Cover | Copristaffa | Couvre Etrier | Bridedeckel | |
| 3 | 325547081/2 | 1 | Plate | Piastra | Plaque | Platte | |
| 4 | 112731601/0 | 4 | Screw | Vite | Vis | Schraube | |
| 5 | 382000554/2 | 1 | Rod | Asta | Tige | Stange | |
| 6 | 112521350/0 | 1 | Washer | Rosetta | Rondelle | Scheibe | |
| 7 | 112155000/0 | 1 | Nut | Dado | Ecrou | Mutter | |
| 8 | 112521350/0 | 1 | Washer | Rosetta | Rondelle | Scheibe | |
| 9 | 112155000/0 | 1 | Nut | Dado | Ecrou | Mutter | |
| 10 | 325547281/1 | 1 | Plate | Piastra | Plaque | Platte | |
| 11 | 112815210/0 | 2 | Screw | Vite | Vis | Schraube | |
| 12 | 112523040/0 | 2 | Washer | Rosetta | Rondelle | Scheibe | |
| 13 | 112154510/0 | 2 | Nut | Dado | Ecrou | Mutter | |
| 21 | 325785143/1 | 1 | Support | Supporto | Support | Halter | |
| 22 | 112815210/0 | 2 | Screw | Vite | Vis | Schraube | |
| 23 | 112523040/0 | 1 | Washer | Rosetta | Rondelle | Scheibe | |
| 24 | 112154510/0 | 2 | Nut | Dado | Ecrou | Mutter | |
| 25 | 325253009/0 | 1 | Hook | Gancio | Accrochage | Haken | |
| 26 | 122524970/2 | 1 | Fulcrum Pin | Perno Fulcro | Pivot | Gelenkpunkt | |
| 27 | 325670011/0 | 1 | Antifriction Washer | Rondella Antifrizione | Rondelle Antifriction | Anti Friktionswäscher | |
| 28 | 112155000/0 | 1 | Nut | Dado | Ecrou | Mutter | |
| 29 | 125033047/0 | 1 | Rod | Asta | Tige | Stange | |
| 30 | 124487997/0 | 1 | Cotter Pin | Coppiglia | Goupille | Split | |
| 31 | 125430213/0 | 1 | Spring | Molla | Ressort | Feder | |
| 32 | 112523040/0 | 1 | Washer | Rosetta | Rondelle | Scheibe | |
| 33 | 325592001/0 | 1 | Knob | Manopola | Poignee | Knopf | |
| 34 | 325592002/0 | 1 | Knob | Manopola | Poignee | Knopf | |
| 35 | 112727815/0 | 1 | Screw | Vite | Vis | Schraube | |

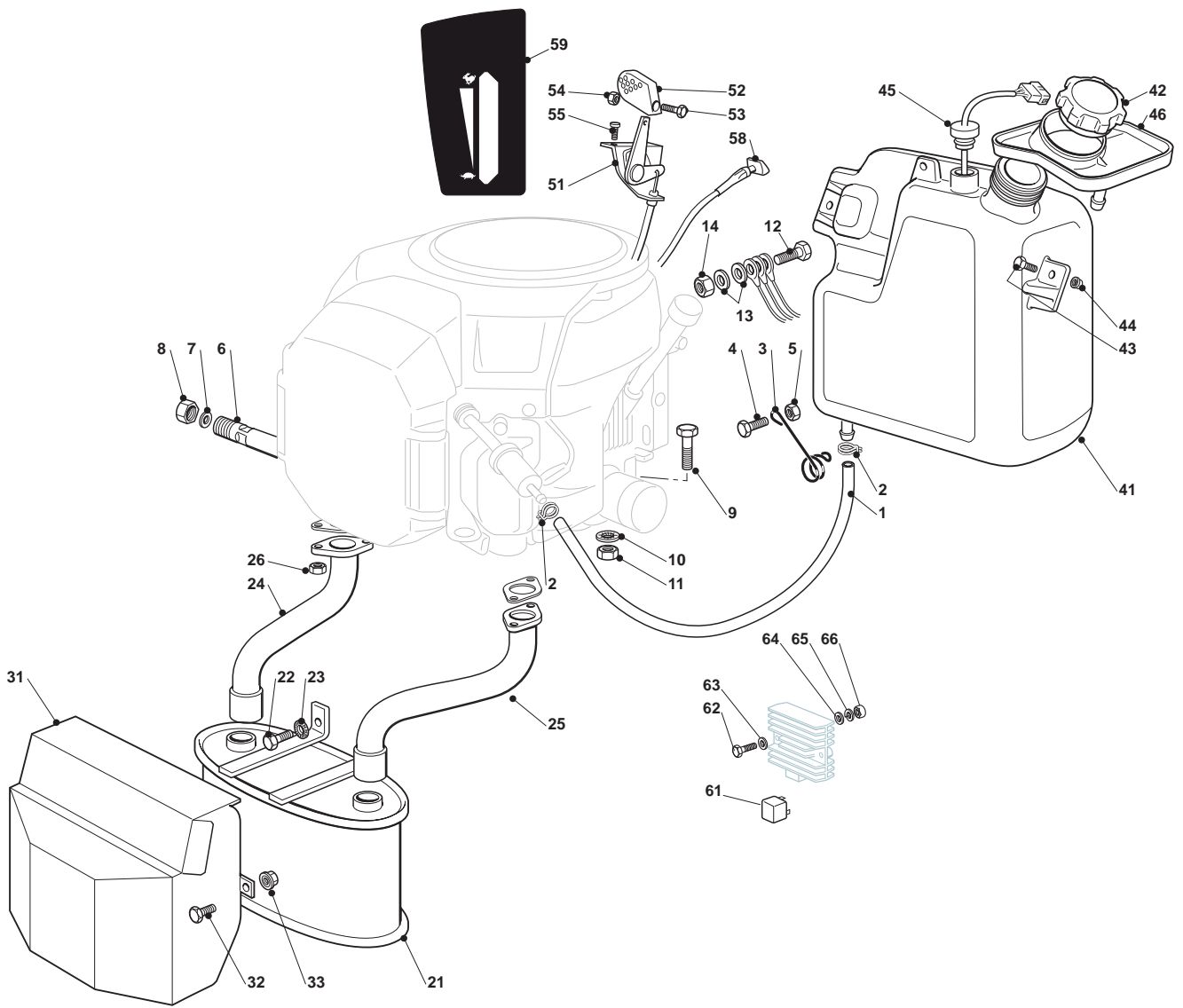


| Drive Controls | | | | | | | |
|----------------|-------------|------|---------------------|-----------------------|-----------------------|-----------------------|-------|
| POS | CODE | Q.TY | DESCRIPTION | DESCRIZIONE | DESCRIPTION | BESCHREIBUNG | NOTES |
| 1 | 382500045/0 | 1 | Pedal | Pedal | Pedal | Pedal | |
| 2 | 325110275/0 | 1 | Clamp Cover | Copristaffa | Couvre Etrier | Bridedeckel | |
| 3 | 112793301/0 | 2 | Screw | Vite | Vis | Schraube | |
| 4 | 382000559/1 | 1 | Axle | Asse Avanzamento | Axe | Achse | |
| 5 | 112155000/0 | 2 | Nut | Dado | Ecrou | Mutter | |
| 6 | 125430246/1 | 1 | Spring | Molla | Ressort | Feder | |
| 7 | 325547133/1 | 1 | Plate | Piastra | Plaque | Platte | |
| 8 | 112731601/0 | 4 | Screw | Vite | Vis | Schraube | |
| 10 | 112523040/0 | 4 | Washer | Rosetta | Rondelle | Scheibe | |
| 11 | 382000617/1 | 1 | Axle | Asse Avanzamento | Axe | Achse | |
| 12 | 325110274/0 | 1 | Clamp Cover Front | Copristaffa Anteriore | Couvre Etrier Avant | Bridedeckel Vorde | |
| 13 | 325785354/0 | 4 | Support | Supporto | Support | Halter | |
| 14 | 325034003/0 | 4 | Brass | Brass | Brass | Brass | |
| 15 | 112815271/0 | 4 | Screw | Vite | Vis | Schraube | |
| 16 | 112154510/0 | 4 | Nut | Dado | Ecrou | Mutter | |
| 17 | 325547207/0 | 1 | Plate | Piastra | Plaque | Platte | |
| 18 | 125510085/1 | 1 | Pin | Perno | Pivot | Bolzen | |
| 19 | 325670011/0 | 2 | Antifriction Washer | Rondella Antifrizione | Rondelle Antifriction | Anti Friktionswäscher | |
| 20 | 112521350/0 | 1 | Washer | Rosetta | Rondelle | Scheibe | |
| 21 | 112000930/0 | 1 | Benzing Ring | Anello Benzing | Anneau Benzing | Ring Benzing | |
| 22 | 125510085/1 | 1 | Pin | Perno | Pivot | Bolzen | |
| 23 | 325670011/0 | 2 | Antifriction Washer | Rondella Antifrizione | Rondelle Antifriction | Anti Friktionswäscher | |
| 24 | 112521350/0 | 1 | Washer | Rosetta | Rondelle | Scheibe | |
| 25 | 112000930/0 | 1 | Benzing Ring | Anello Benzing | Anneau Benzing | Ring Benzing | |
| 31 | 382000612/0 | 1 | Rod | Asta | Tige | Stange | |
| 32 | 112523060/0 | 1 | Washer | Rosetta | Rondelle | Scheibe | |
| 33 | 112154510/0 | 1 | Nut | Dado | Ecrou | Mutter | |
| 34 | 112523040/0 | 2 | Washer | Rosetta | Rondelle | Scheibe | |
| 35 | 112154510/0 | 1 | Nut | Dado | Ecrou | Mutter | |
| 61 | 325774477/0 | 1 | Clamp | Staffa | Etrier | Bride | |
| 62 | 112815210/0 | 2 | Screw | Vite | Vis | Schraube | |
| 63 | 112292102/0 | 2 | Nut | Dado | Ecrou | Mutter | |
| 64 | 125040638/0 | 1 | Bushing | Bushing | Bushing | Bushing | |
| 65 | 325022000/1 | 1 | Hook | Gancio | Accrochage | Haken | |
| 66 | 112691100/0 | 1 | Screw | Vite | Vis | Schraube | |
| 67 | 112523060/0 | 1 | Washer | Rosetta | Rondelle | Scheibe | |
| 68 | 322672152/0 | 1 | Antifriction Washer | Rondella Antifrizione | Rondelle Antifriction | Anti Friktionswäscher | |
| 69 | 112155000/0 | 1 | Nut | Dado | Ecrou | Mutter | |
| 70 | 125033092/0 | 1 | Rod | Asta | Tige | Stange | |
| 71 | 124487995/0 | 1 | Cotter Pin | Coppiglia | Goupille | Split | |
| 72 | 125430232/0 | 1 | Spring | Molla | Ressort | Feder | |
| 73 | 325605002/0 | 1 | Button | Pulsante | Bouton | Druckknopf | |
| 74 | 112726389/0 | 1 | Screw | Vite | Vis | Schraube | |
| 75 | 112290800/0 | 1 | Hexagonal Nut | Dado | Ecrou | Mutter | |



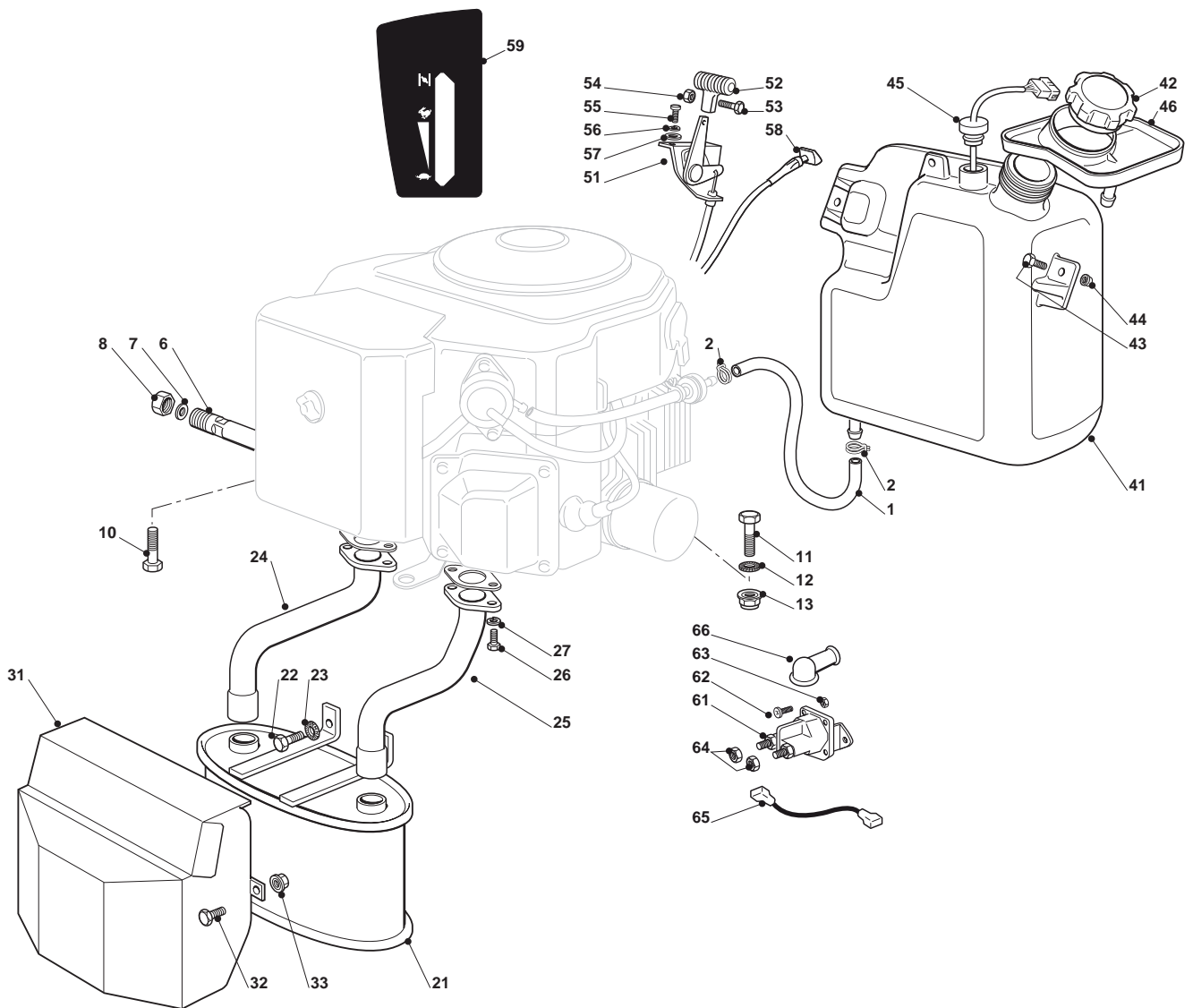
Engine - B&S 22 - 24 HP

| POS | CODE | Q.TY | DESCRIPTION | DESCRIZIONE | DESCRIPTION | BESCHREIBUNG | NOTES |
|-----|--------------|------|----------------------|--------------------|--------------------------|-------------------------|-------|
| 1 | 325869016/1 | 1 | Connecting Tube | Tubo Collegamento | Tube De Connexion | Verbindungsrohr | |
| 2 | 118375051/1 | 2 | Fair Led | Fascetta | Collier | Rohrschelle | |
| 3 | 125430239/1 | 1 | Spring | Molla | Ressort | Feder | |
| 4 | 112790781/0 | 1 | Screw | Vite | Vis | Schraube | |
| 5 | 112292102/0 | 1 | Nut | Dado | Ecrou | Mutter | |
| 8 | 1134-5827-01 | 1 | Oil Drain Assy | Oil Drain Assy | Oil Drain Assy | Oil Drain Assy | |
| 9 | 112691100/0 | 3 | Screw | Vite | Vis | Schraube | |
| 10 | 112154210/0 | 3 | Self-Locking Nut | Dado Autobloccante | Écrou auto-bloquant | Selbstsichernde Mutter | |
| 11 | 112691115/0 | 1 | Screw | Vite | Vis | Schraube | |
| 12 | 112540260/0 | 1 | Grower | Grower | Grower | Federring | |
| 13 | 112154210/0 | 1 | Self-Locking Nut | Dado Autobloccante | Écrou auto-bloquant | Selbstsichernde Mutter | |
| 21 | 182750009/0 | 1 | Muffler | Silenziatore | Silencieux | Set Schalldämpfer | |
| 22 | 112793301/0 | 2 | Screw | Vite | Vis | Schraube | |
| 23 | 112540260/0 | 2 | Grower | Grower | Grower | Federring | |
| 24 | 118738236/0 | 1 | Exhaust Right Tube | Tubo Scarico Dx | Tube Droit Pour Echapp. | Rechtes Verbindungsrohr | |
| 25 | 118738237/0 | 1 | Exhaust Left Tube | Tubo Scarico Sx | Tube Gauche Pour Echapp. | Linkes Verbindungsrohr | |
| 26 | 112735530/0 | 4 | Screw | Vite | Vis | Schraube | |
| 27 | 112583500/0 | 4 | Grower | Grower | Grower | Federring | |
| 31 | 382598043/1 | 1 | Guard | Protezione | Protection | Schutz | |
| 32 | 112791011/0 | 2 | Screw | Vite | Vis | Schraube | |
| 33 | 112292102/0 | 2 | Nut | Dado | Ecrou | Mutter | |
| 41 | 325735125/2 | 1 | Tank | Serbatoio | Réservoir à carburant | Treibstofftank | |
| 42 | 325795003/0 | 1 | Fuel Cap | Tappo Miscela | Bouhcon Mélange | Deckel Treibstoff | |
| 43 | 112788910/0 | 2 | Screw | Vite | Vis | Schraube | |
| 44 | 112500092/0 | 2 | Rivet | Rivetto | Rivet | Niet | |
| 45 | 125290002/0 | 1 | Fuel Level Indicator | Indicatore Livello | Indicateur Niveau | Kraftstoffmesser | |
| 46 | 325600086/0 | 1 | Guard | Protezione | Protection | Schutz | |
| 51 | 182000218/0 | 1 | Accelerator | Acceleratore | Accelérateur | Gas Zug | |
| 52 | 325592000/0 | 1 | Knob | Manopola | Poignée | Knopf | |
| 53 | 112726388/0 | 1 | Screw | Vite | Vis | Schraube | |
| 54 | 112290800/0 | 1 | Hexagonal Nut | Dado | Ecrou | Mutter | |
| 55 | 112788512/0 | 2 | Screw | Vite | Vis | Schraube | |
| 59 | 114360717/0 | 1 | Label | Etichetta | Etiquette | Etikett | |
| 61 | 118736111/0 | 1 | Starter Relay | Relé Avviamento | Relais D'Allumage | Anlassrelais | |
| 62 | 112791011/0 | 2 | Screw | Vite | Vis | Schraube | |
| 63 | 112292102/0 | 2 | Nut | Dado | Ecrou | Mutter | |
| 64 | 112360352/0 | 2 | Nut | Dado | Ecrou | Mutter | |
| 65 | 125065002/0 | 1 | Cable | Cable | Cable | Cable | |
| 66 | 118564861/1 | 1 | Protection | Protezione | Protection | Schutz | |

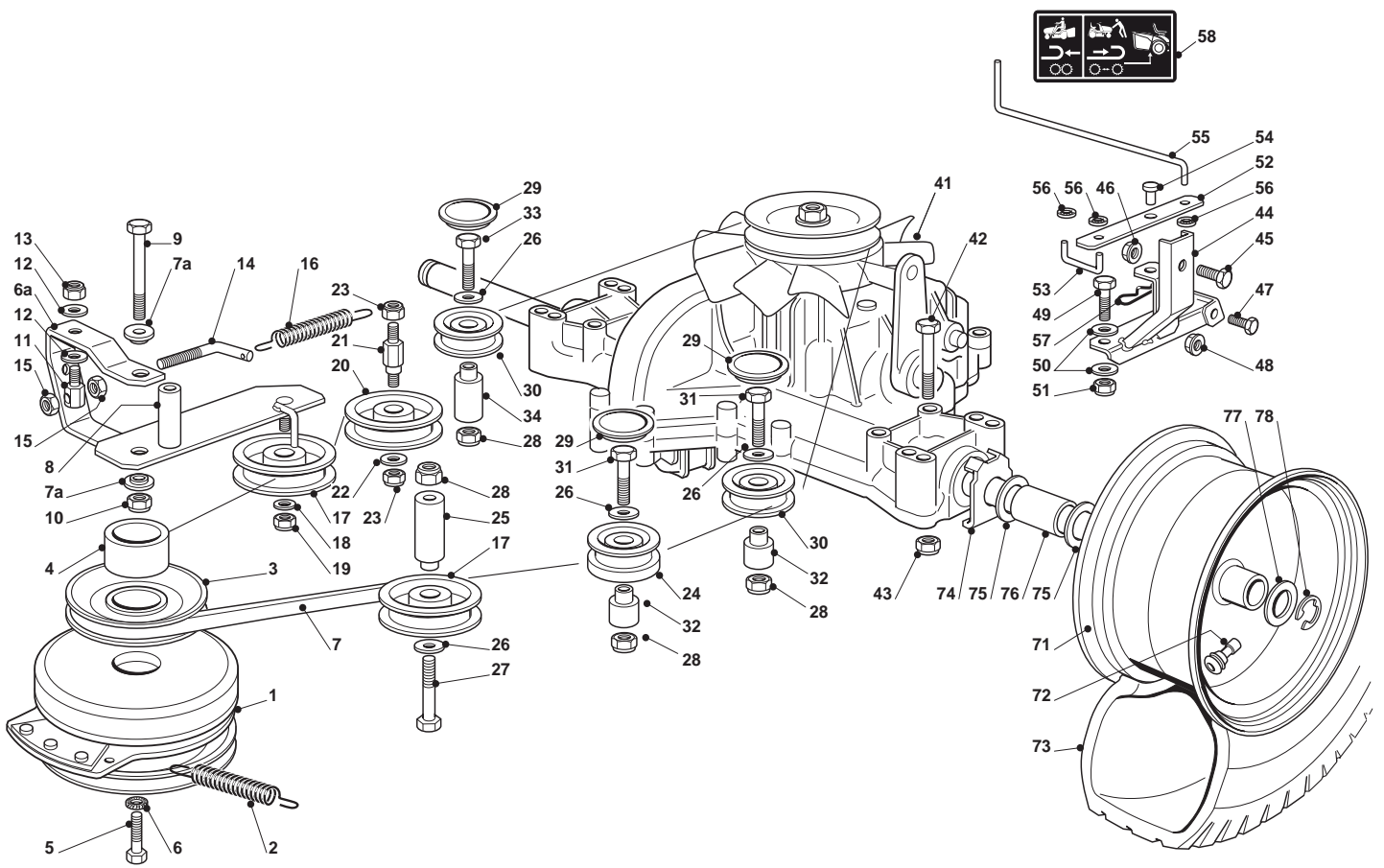


Engine - Honda GXV 660

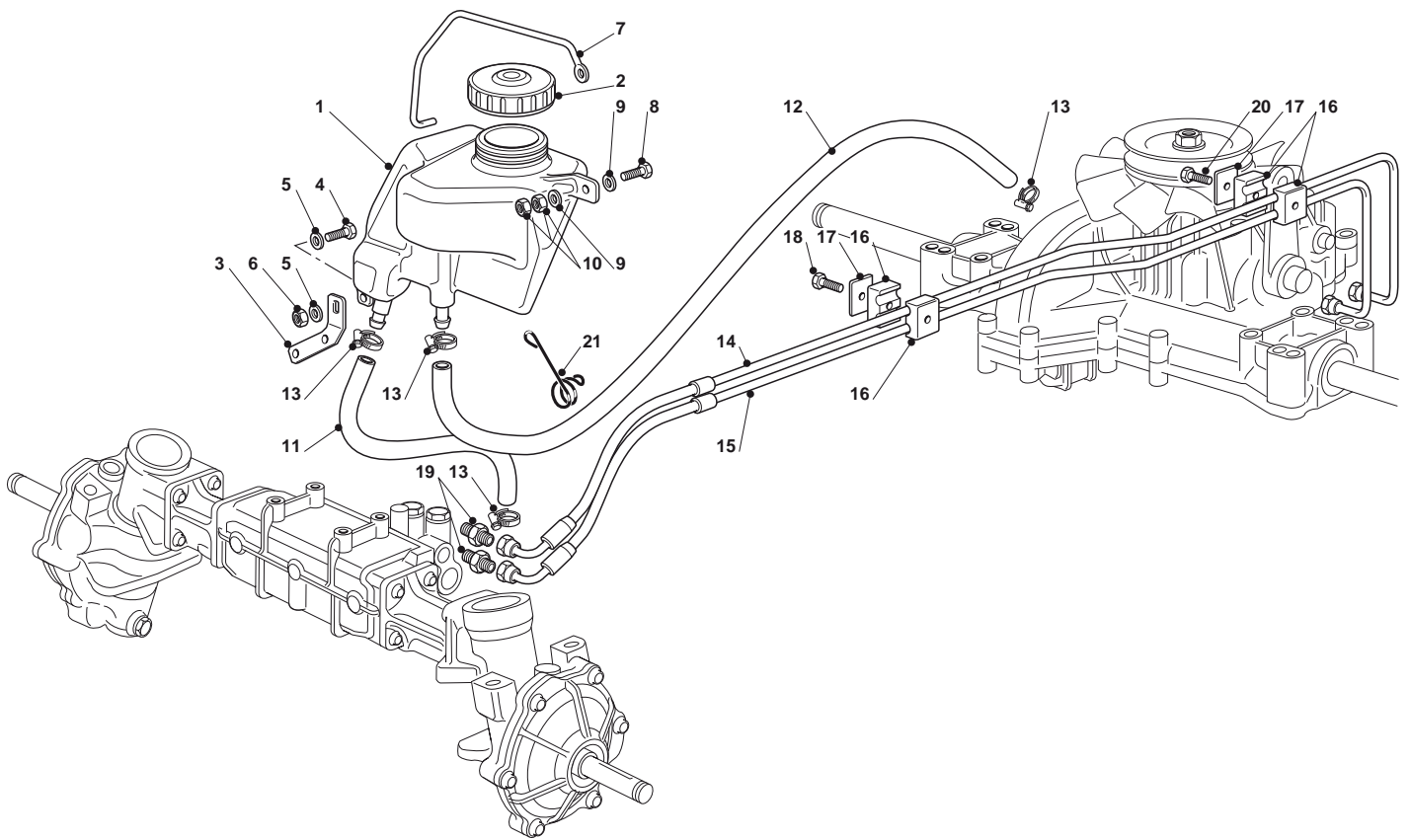
| POS | CODE | Q.TY | DESCRIPTION | DESCRIZIONE | DESCRIPTION | BESCHREIBUNG | NOTES |
|-----|--------------|------|-------------------------------|-------------------------------|-------------------------------|-------------------------------|-------|
| 1 | 325869057/0 | 1 | Connecting Tube | Tubo Collegamento | Tube De Connexion | Verbindungsrohr | |
| 2 | 118375051/1 | 2 | Fair Led | Fascetta | Collier | Rohrschelle | |
| 3 | 125430239/1 | 1 | Spring | Molla | Ressort | Feder | |
| 4 | 112790781/0 | 1 | Screw | Vite | Vis | Schraube | |
| 5 | 112292102/0 | 1 | Nut | Dado | Ecrou | Mutter | |
| 6 | 1134-5827-01 | 1 | Oil Drain Assy | Oil Drain Assy | Oil Drain Assy | Oil Drain Assy | |
| 9 | 125510028/1 | 4 | Pin | Perno | Pivot | Bolzen | |
| 10 | 112540260/0 | 1 | Grower | Grower | Grower | Federring | |
| 11 | 112154210/0 | 4 | Self-Locking Nut | Dado Autobloccante | Écrou auto-bloquant | Selbstsichernde Mutter | |
| 12 | 112691200/0 | 1 | Screw | Vite | Vis | Schraube | |
| 13 | 112523060/0 | 2 | Washer | Rosetta | Rondelle | Scheibe | |
| 14 | 112293200/0 | 1 | Hexagonal Nut | Dado | Ecrou | Mutter | |
| 21 | 182750009/0 | 1 | Muffler | Silenziatore | Silencieux | Set Schalldämpfer | |
| 22 | 112793301/0 | 2 | Screw | Vite | Vis | Schraube | |
| 23 | 112540260/0 | 2 | Grower | Grower | Grower | Federring | |
| 24 | 118738241/0 | 1 | Right Discharged Connect.Tube | Right Discharged Connect.Tube | Right Discharged Connect.Tube | Right Discharged Connect.Tube | |
| 25 | 118738242/0 | 1 | Exhaust Connection | Raccordo Scarico | Connexion Echappement | Auspuffanschluss | |
| 26 | 112293201/0 | 4 | Nut | Dado | Ecrou | Mutter | |
| 31 | 382598043/1 | 1 | Guard | Protezione | Protection | Schutz | |
| 32 | 112791011/0 | 2 | Screw | Vite | Vis | Schraube | |
| 33 | 112292102/0 | 2 | Nut | Dado | Ecrou | Mutter | |
| 41 | 325735125/2 | 1 | Tank | Serbatoio | Réservoir à carburant | Treibstofftank | |
| 42 | 325795003/0 | 1 | Fuel Cap | Tappo Miscela | Bouhcon Mélange | Deckel Treibstoff | |
| 43 | 112788910/0 | 2 | Screw | Vite | Vis | Schraube | |
| 44 | 112500092/0 | 2 | Rivet | Rivetto | Rivet | Niet | |
| 45 | 125290002/0 | 1 | Fuel Level Indicator | Indicatore Livello | Indicateur Niveau | Kraftstoffmesser | |
| 46 | 325600086/0 | 1 | Guard | Protezione | Protection | Schutz | |
| 51 | 182000220/0 | 1 | Accelerator | Acceleratore | Accelérateur | Gas Zug | |
| 52 | 325592000/0 | 1 | Knob | Manopola | Poignee | Knopf | |
| 53 | 112726388/0 | 1 | Screw | Vite | Vis | Schraube | |
| 54 | 112290800/0 | 1 | Hexagonal Nut | Dado | Ecrou | Mutter | |
| 55 | 125943012/0 | 2 | Screw | Vite | Vis | Schraube | |
| 58 | 125090007/0 | 1 | Choke Control | Comando Starter | Commande Starter | Starter Betaetigung | |
| 59 | 114360716/0 | 1 | Label | Etichetta | Etiquette | Etikett | |
| 61 | 133567000/0 | 1 | Relay | Relay | Relay | Relay | |
| 62 | 112791500/0 | 2 | Screw | Vite | Vis | Schraube | |
| 63 | 112521330/0 | 2 | Washer | Rosetta | Rondelle | Scheibe | |
| 64 | 112521330/0 | 2 | Washer | Rosetta | Rondelle | Scheibe | |
| 65 | 112582100/0 | 2 | Grower | Grower | Grower | Federring | |
| 66 | 112292100/0 | 2 | Hexagonal Nut | Dado | Ecrou | Mutter | |



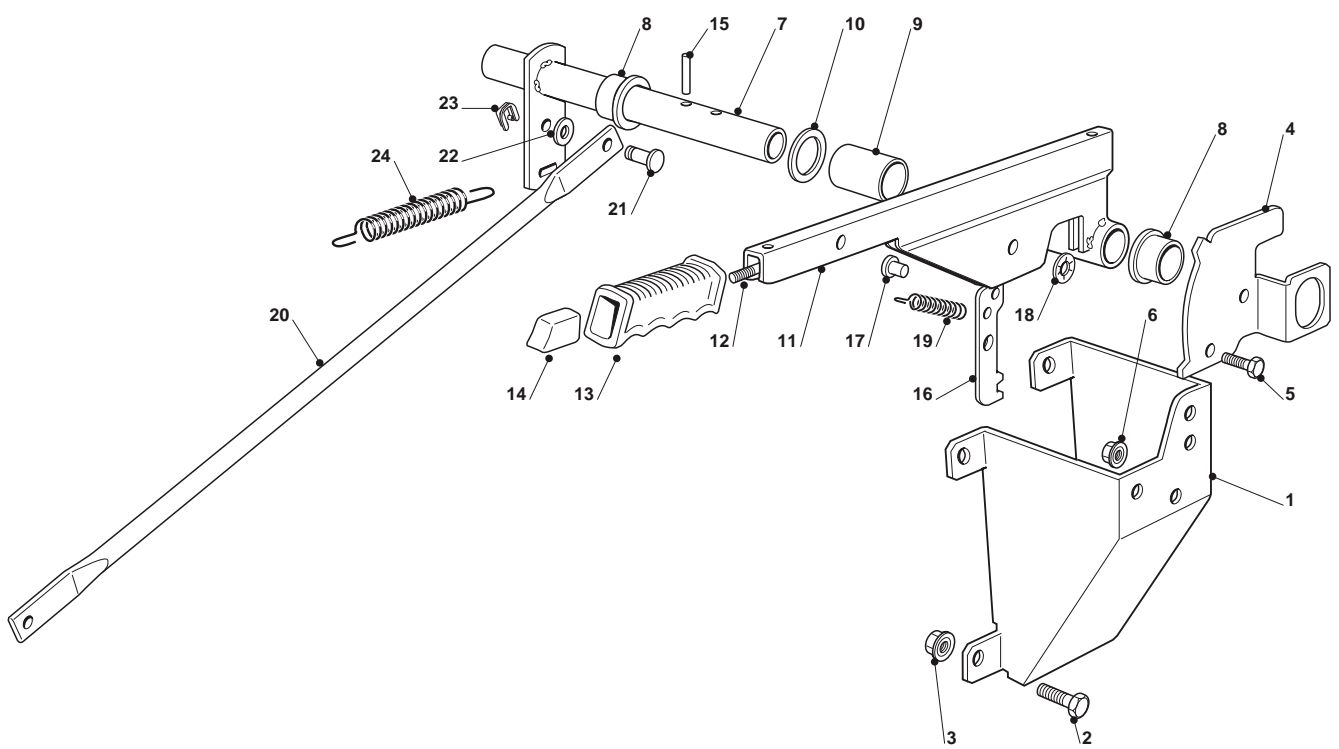
| Engine - Kohler | | | | | | | |
|-----------------|--------------|------|----------------------|--------------------|--------------------------|-------------------------|-------|
| POS | CODE | Q.TY | DESCRIPTION | DESCRIZIONE | DESCRIPTION | BESCHREIBUNG | NOTES |
| 1 | 325869057/0 | 1 | Connecting Tube | Tubo Collegamento | Tube De Connexion | Verbindungsrohr | |
| 8 | 1134-5827-01 | 1 | Oil Drain Assy | Oil Drain Assy | Oil Drain Assy | Oil Drain Assy | |
| 10 | 112735108/1 | 4 | Screw | Vite | Vis | Schraube | |
| 11 | 112691115/0 | 1 | Screw | Vite | Vis | Schraube | |
| 12 | 112540260/0 | 1 | Grower | Grower | Grower | Federring | |
| 13 | 112154210/0 | 1 | Nut | Dado | Ecrou | Nuss | |
| 21 | 182750009/0 | 1 | Muffler | Silenziatore | Silencieux | Schalldämpfer | |
| 22 | 112793301/0 | 2 | Screw | Vite | Vis | Schraube | |
| 23 | 112540260/0 | 2 | Grower | Grower | Grower | Federring | |
| 24 | 118738234/0 | 1 | Exhaust Right Tube | Tubo Scarico Dx | Tube Droit Pour Echapp. | Rechtes Verbindungsrohr | |
| 25 | 118738235/0 | 1 | Exhaust Left Tube | Tubo Scarico Sx | Tube Gauche Pour Echapp. | Linkes Verbindungsrohr | |
| 26 | 112735530/0 | 4 | Screw | Vite | Vis | Schraube | |
| 27 | 112583500/0 | 4 | Grower | Grower | Grower | Federring | |
| 31 | 382598043/1 | 1 | Guard | Protezione | Protection | Schutz | |
| 32 | 112791011/0 | 2 | Screw | Vite | Vis | Schraube | |
| 33 | 112292102/0 | 2 | Nut | Dado | Ecrou | Nuss | |
| 41 | 325735125/2 | 1 | Tank | Serbatoio | Reservoir | Tank | |
| 42 | 325795003/0 | 1 | Fuel Cap | Tappo Serbatoio | Bouchon Reservoir | Tank Einfüllstopfen | |
| 43 | 112788910/0 | 2 | Screw | Vite | Vis | Schraube | |
| 44 | 112500092/0 | 2 | Rivet | Rivetto | Rivet | Niet | |
| 45 | 125290002/0 | 1 | Fuel Level Indicator | Indicatore Livello | Indicateur Niveau | Kraftstoffmesser | |
| 46 | 325600086/0 | 1 | Guard | Protezione Benzina | Protection | Schutz | |
| 51 | 182000213/0 | 1 | Accelerator | Acceleratore | Gashebelgestange | Commande d'accélération | |
| 52 | 325592000/0 | 1 | Knob | Manopolina | Poignee | Knopf | |
| 53 | 112726388/0 | 1 | Screw | Vite | Vis | Schraube | |
| 54 | 112290800/0 | 1 | Nut | Dado | Ecrou | Nuss | |
| 55 | 112788512/0 | 2 | Screw | Vite | Vis | Schraube | |
| 56 | 112581200/0 | 2 | Grower | Grower | Grower | Federring | |
| 57 | 112521310/0 | 2 | Washer | Rondella | Rondelle | Scheibe | |
| 58 | 125090005/0 | 1 | Choke Control | Comando Starter | Commande Starter | Starter Betaetigung | |
| 59 | 114360717/0 | 1 | Label | Etichetta | Etiquette | Etikett | |
| 61 | 118736111/0 | 1 | Starter Relay | Relé Avviamento | Relais D'Allumage | Anlassrelais | |
| 62 | 112791011/0 | 2 | Screw | Vite | Vis | Schraube | |
| 63 | 112292102/0 | 2 | Nut | Dado | Ecrou | Nuss | |
| 64 | 112360352/0 | 2 | Nut | Dado | Ecrou | Nuss | |
| 65 | 125065002/0 | 1 | Cable | Cavo | Cable | Kabel | |
| 66 | 118564861/1 | 1 | Protection | Protezione | Protection | Schutz | |
| 62 | 112791500/0 | 2 | Screw | Vite | Vis | Schraube | |
| 63 | 112521330/0 | 2 | Washer | Rosetta | Rondelle | Scheibe | |
| 64 | 112521330/0 | 2 | Washer | Rosetta | Rondelle | Scheibe | |
| 65 | 112582100/0 | 2 | Grower | Grower | Grower | Federring | |
| 66 | 112292100/0 | 2 | Hexagonal Nut | Dado | Ecrou | Mutter | |



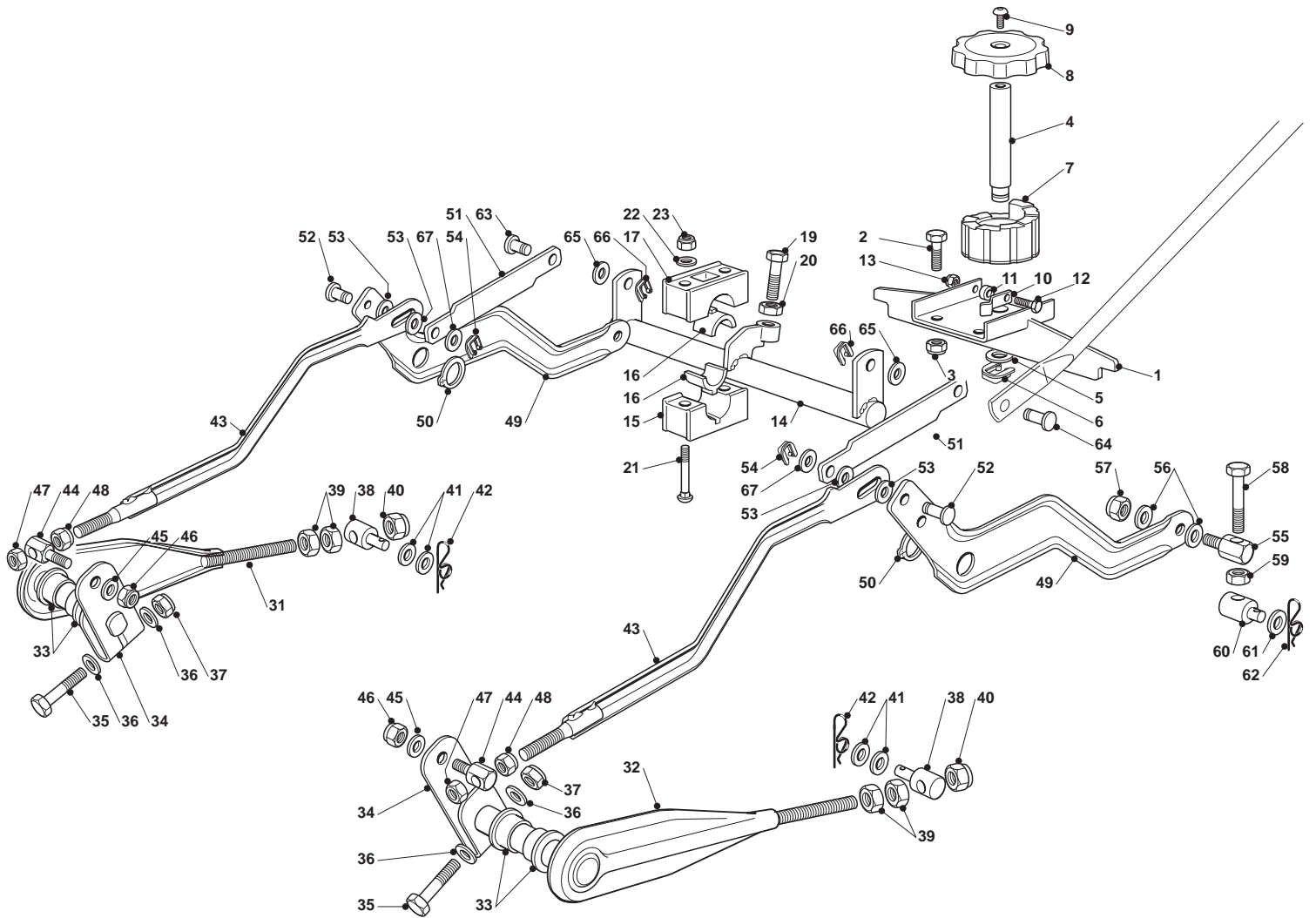
| POS | CODE | Q.TY | DESCRIPTION | DESCRIZIONE | DESCRIPTION | BESCHREIBUNG | NOTES |
|-----|-------------|------|---------------------|-----------------------|-----------------------|--------------------------|-------|
| 1 | 118399062/0 | 1 | Clutch Assy | Ass. Frizione | Friction | Set Kupplung | |
| 2 | 125430210/1 | 1 | Spring | Molla | Ressort | Feder | |
| 3 | 125601580/0 | 1 | Pulley | Puleggia | Poulie | Riemenscheibe | |
| 4 | 125160021/0 | 1 | Spacer | Distanziale | Entretoise | Distanzring | |
| 5 | 112737320/0 | 1 | Screw | Vite | Vis | Schraube | |
| 6 | 112543000/0 | 1 | Washer | Rondella | Rondelle | Scheibe | |
| 6a | 382318251/0 | 1 | Lever | Leva | Levier | Hebel | |
| 7 | 135062002/1 | 1 | Belt | Cinghia | Courroie | Riemen | |
| 7a | 125038002/1 | 2 | Bush | Bussola | Douille | Buchse | |
| 8 | 125160054/0 | 1 | Spacer | Distanziale | Entretoise | Distanzring | |
| 9 | 112793905/0 | 1 | Screw | Vite | Vis | Schraube | |
| 10 | 112155000/0 | 1 | Nut | Dado | Ecrou | Nuss | |
| 11 | 125510040/1 | 1 | Pin | Perno | Pivot | Bolzen | |
| 12 | 325670011/0 | 2 | Antifriction Washer | Rondella Antifrizione | Rondelle Antifriction | Antifriction Scheibe | |
| 13 | 112155000/0 | 1 | Nut | Dado | Ecrou | Nuss | |
| 14 | 125840030/0 | 1 | Tie Rod | Tirante | Tirant | Spannstange | |
| 15 | 112293200/0 | 2 | Nut | Dado | Ecrou | Nuss | |
| 16 | 125430219/0 | 1 | Spring | Molla | Ressort | Feder | |
| 17 | 125601554/0 | 2 | Pulley | Puleggia | Poulie | Riemenscheibe | |
| 18 | 112523060/0 | 1 | Washer | Rondella | Rondelle | Scheibe | |
| 19 | 112155000/0 | 1 | Nut | Dado | Ecrou | Nuss | |
| 20 | 125601555/0 | 1 | Pulley | Puleggia | Poulie | Riemenscheibe | |
| 21 | 125510036/1 | 1 | Pin | Perno | Pivot | Bolzen | |
| 22 | 112523060/0 | 1 | Washer | Rondella | Rondelle | Scheibe | |
| 23 | 112155000/0 | 2 | Nut | Dado | Ecrou | Nuss | |
| 24 | 325601584/1 | 1 | Pulley | Puleggia | Poulie | Riemenscheibe | |
| 25 | 125160060/0 | 1 | Spacer | Distanziale | Entretoise | Distanzring | |
| 26 | 112523060/0 | 4 | Washer | Rondella | Rondelle | Scheibe | |
| 27 | 112691115/0 | 2 | Screw | Vite | Vis | Schraube | |
| 28 | 112155000/0 | 4 | Nut | Dado | Ecrou | Nuss | |
| 29 | 125109521/1 | 3 | Cover | Copertura | Couvre Roues | Radenkappe | |
| 30 | 325601570/1 | 2 | Pulley | Puleggia | Poulie | Riemenscheibe | |
| 31 | 112691115/0 | 2 | Screw | Vite | Vis | Schraube | |
| 32 | 125160030/2 | 2 | Left Spacer | Distanziale Sinistro | Entretoise Gauche | Linker Entfernungsstück | |
| 33 | 112691400/0 | 1 | Screw | Vite | Vis | Schraube | |
| 34 | 125160024/2 | 1 | Right Spacer | Distanziale Destro | Entretoise Droit | Rechter Entfernungsstück | |
| 41 | 118400975/0 | 1 | Rear Axle | Asse Posteriore | Axe Arriere | Hinterachse | |
| 42 | 112691800/0 | 4 | Screw | Vite | Vis | Schraube | |
| 43 | 112154210/0 | 4 | Nut | Dado | Ecrou | Nuss | |
| 44 | 382785175/0 | 1 | Support | Supporto | Support | Halter | |
| 45 | 112793102/0 | 1 | Screw | Vite | Vis | Schraube | |
| 46 | 112293201/0 | 1 | Nut | Dado | Ecrou | Nuss | |
| 47 | 112792611/0 | 1 | Screw | Vite | Vis | Schraube | |
| 48 | 112293201/0 | 1 | Nut | Dado | Ecrou | Nuss | |
| 49 | 112691115/0 | 1 | Screw | Vite | Vis | Schraube | |
| 50 | 112521350/0 | 2 | Washer | Rondella | Rondelle | Scheibe | |
| 51 | 112155000/0 | 1 | Nut | Dado | Ecrou | Nuss | |
| 52 | 325547229/0 | 1 | Lever | Leva | Levier | Hebel | |
| 53 | 125580031/0 | 1 | Rod | Asta | Tige | Stange | |
| 54 | 127510111/0 | 1 | Pin | Perno | Pivot | Bolzen | |
| 55 | 125033079/0 | 1 | Rod | Asta | Tige | Stange | |
| 56 | 112604896/0 | 3 | Crown Fastener | Fissatore A Corona | Fixateur A Couronne | Kronescheibe | |
| 57 | 124487997/0 | 1 | Cotter Pin | Copiglia | Goupille | Split | |
| 58 | 114363696/0 | 1 | Label | Etichetta | Etiquette | Etikett | |
| 71 | 182000602/0 | 2 | Rimm | Cerchio Ruota | Bandage Roue | Vorderrad Felger | |
| 72 | 125950000/0 | 2 | Valve | Valvola | Soupape | Ventil | |
| 73 | 125590013/0 | 2 | Tyre | Pneumatico | Pneu | Reifen | |
| 74 | 325670025/0 | 2 | Washer | Rondella | Rondelle | Scheibe | |
| 75 | 112521410/0 | 4 | Washer | Rondella | Rondelle | Scheibe | |
| 76 | 125160023/0 | 2 | Spacer | Distanziale | Entretoise | Distanzring | |
| 77 | 125670005/1 | 2 | Washer | Rondella | Rondelle | Scheibe | |
| 78 | 112001010/0 | 2 | Benzing Ring | Anello Benzing | Anneau Benzing | Ring Benzing | |



| Transmission Ass.Y | | | | | | | |
|--------------------|-------------|------|----------------------|--------------------|-----------------------|------------------------|-------|
| POS | CODE | Q.TY | DESCRIPTION | DESCRIZIONE | DESCRIPTION | BESCHREIBUNG | NOTES |
| 1 | 325735127/0 | 1 | Tank | Serbatoio | Réservoir à carburant | Treibstofftank | |
| 2 | 125795002/0 | 1 | Fuel Cap | Tappo Miscela | Bouhcon Mélange | Deckel Treibstoff | |
| 3 | 325755059/0 | 1 | Bracket | Staffa | Etrier | Bride | |
| 4 | 112789100/0 | 1 | Screw | Vite | Vis | Schraube | |
| 5 | 112521320/0 | 2 | Washer | Rosetta | Rondelle | Scheibe | |
| 6 | 112154330/0 | 1 | Low Self-Locking Nut | Dado Autobloccante | Écrou auto-bloquant | Selbstsichernde Mutter | |
| 7 | 125600085/0 | 1 | Guard | Protezione | Protection | Schutz | |
| 8 | 112789100/0 | 1 | Screw | Vite | Vis | Schraube | |
| 9 | 112521320/0 | 2 | Washer | Rosetta | Rondelle | Scheibe | |
| 10 | 112154330/0 | 2 | Low Self-Locking Nut | Dado Autobloccante | Écrou auto-bloquant | Selbstsichernde Mutter | |
| 11 | 325869076/0 | 1 | Connecting Tube | Tubo Collegamento | Tube De Connexion | Verbindungsrohr | |
| 12 | 325869077/0 | 1 | Connecting Tube | Tubo Collegamento | Tube De Connexion | Verbindungsrohr | |
| 13 | 118375059/0 | 4 | Fair Led | Fascetta | Collier | Rohrschelle | |
| 14 | 382869200/1 | 1 | Connecting Tube | Tubo Collegamento | Tube De Connexion | Verbindungsrohr | |
| 15 | 382869201/0 | 1 | Connecting Tube | Tubo Collegamento | Tube De Connexion | Verbindungsrohr | |
| 16 | 325721000/0 | 4 | Support | Supporto | Support | Halter | |
| 17 | 325547249/0 | 2 | Plate | Piastra | Plaque | Platte | |
| 18 | 112689515/0 | 1 | Screw | Vite | Vis | Schraube | |
| 19 | 125651001/0 | 2 | Tube Connection | Raccordo Tubi | Connexion Tube | Anschluss | |
| 20 | 112674700/0 | 1 | Screw | Vite | Vis | Schraube | |
| 21 | 125430239/1 | 1 | Spring | Molla | Ressort | Feder | |

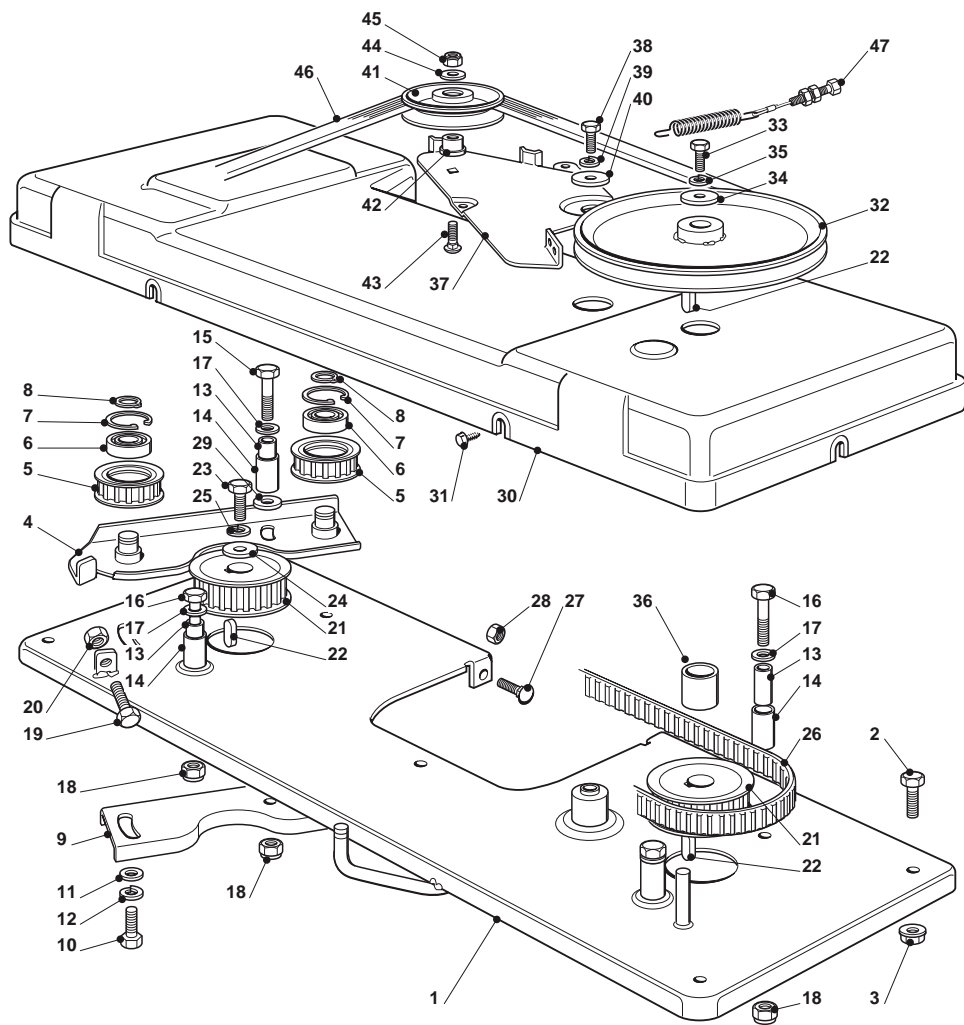


| Cutting Plate Lifting | | | | | | | |
|-----------------------|-------------|------|---------------------|-----------------------|-----------------------|-----------------------|-------|
| POS | CODE | Q.TY | DESCRIPTION | DESCRIZIONE | DESCRIPTION | BESCHREIBUNG | NOTES |
| 1 | 325785137/1 | 1 | Support | Supporto | Support | Halter | |
| 2 | 112791011/0 | 4 | Screw | Vite | Vis | Schraube | |
| 3 | 112292102/0 | 4 | Nut | Dado | Ecrou | Nuss | |
| 4 | 325735521/0 | 1 | Sector | Settore | Secteur | Sektor | |
| 5 | 112793102/0 | 2 | Screw | Vite | Vis | Schraube | |
| 6 | 112293201/0 | 2 | Nut | Dado | Ecrou | Nuss | |
| 7 | 382000551/0 | 1 | Axle | Asse Avanzamento | Axe | Achse | |
| 8 | 122034523/0 | 2 | Bush | Bussola | Douille | Buchse | |
| 9 | 125160025/0 | 1 | Spacer | Distanziale | Entretoise | Distanzring | |
| 10 | 322672153/0 | 1 | Antifriction Washer | Rondella Antifrizione | Rondelle Antifriction | Anti Friktionswäscher | |
| 11 | 382318241/0 | 1 | Lever | Leva | Levier | Hebel | |
| 12 | 125033002/1 | 1 | Rod | Asta | Tige | Stange | |
| 13 | 125394504/1 | 1 | Knob | Manopolina | Poignée | Griff | |
| 14 | 125605000/1 | 1 | Button | Pulsante | Poussoir | Druckknopf | |
| 15 | 112620206/0 | 2 | Pin | Perno | Pivot | Bolzen | |
| 16 | 325470901/1 | 1 | Dog | Nasello | Declic | Nase | |
| 17 | 125510011/0 | 1 | Pin | Perno | Pivot | Bolzen | |
| 18 | 112604899/0 | 1 | Crown Fastener | Fissatore A Corona | Fixateur A Couronne | Kronescheibe | |
| 19 | 125430208/0 | 1 | Spring | Molla | Ressort | Feder | |
| 20 | 325033077/0 | 1 | Connecting Rod | Asta Collegamento | Tige De Connexion | Verbindungsstab | |
| 21 | 125510053/2 | 1 | Pin | Perno | Pivot | Bolzen | |
| 22 | 325670011/0 | 1 | Antifriction Washer | Rondella Antifrizione | Rondelle Antifriction | Anti Friktionswäscher | |
| 23 | 112436050/0 | 7 | Cup Spring | Piastrina | Plaquette | Plättchen | |
| 24 | 125430218/1 | 1 | Spring | Molla | Ressort | Feder | |

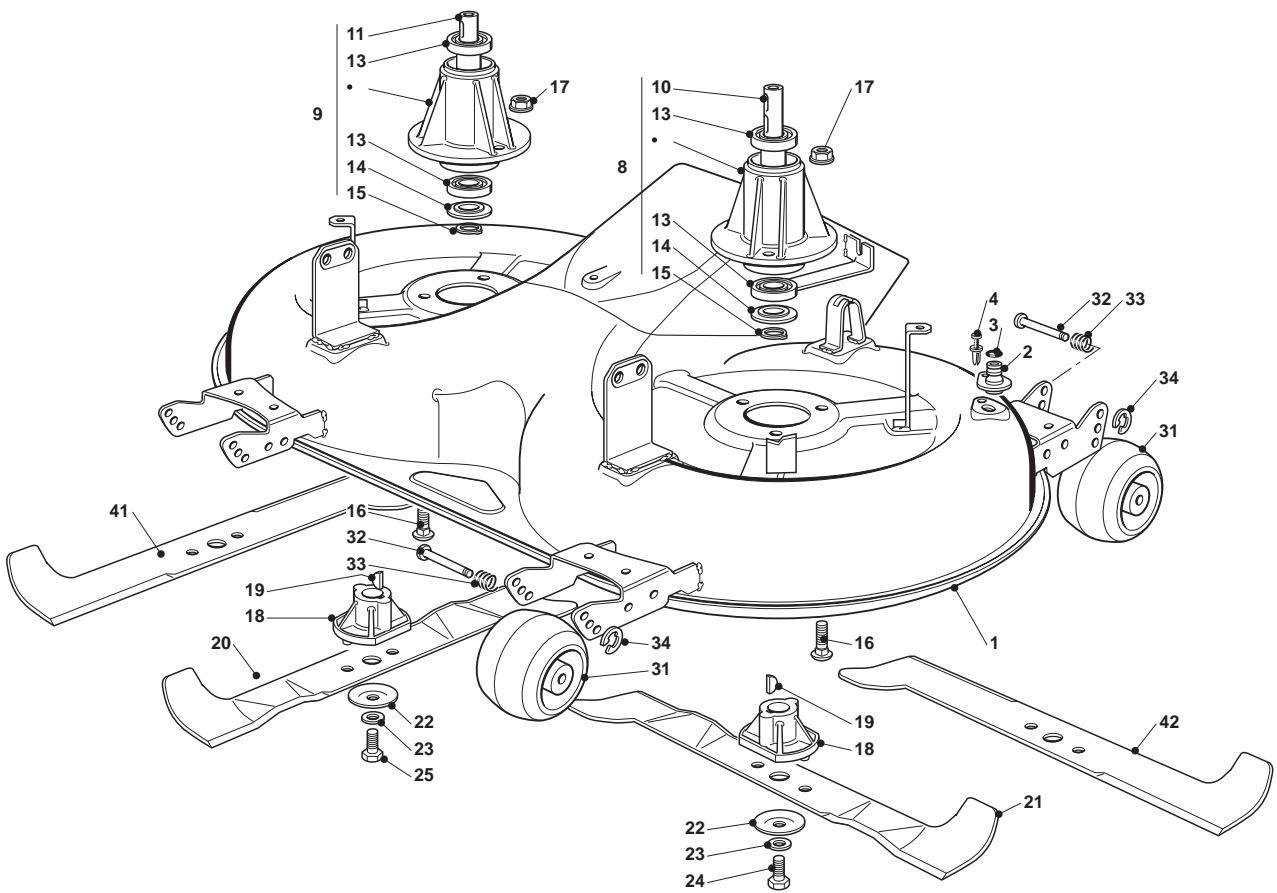


Cutting Plate Lifting

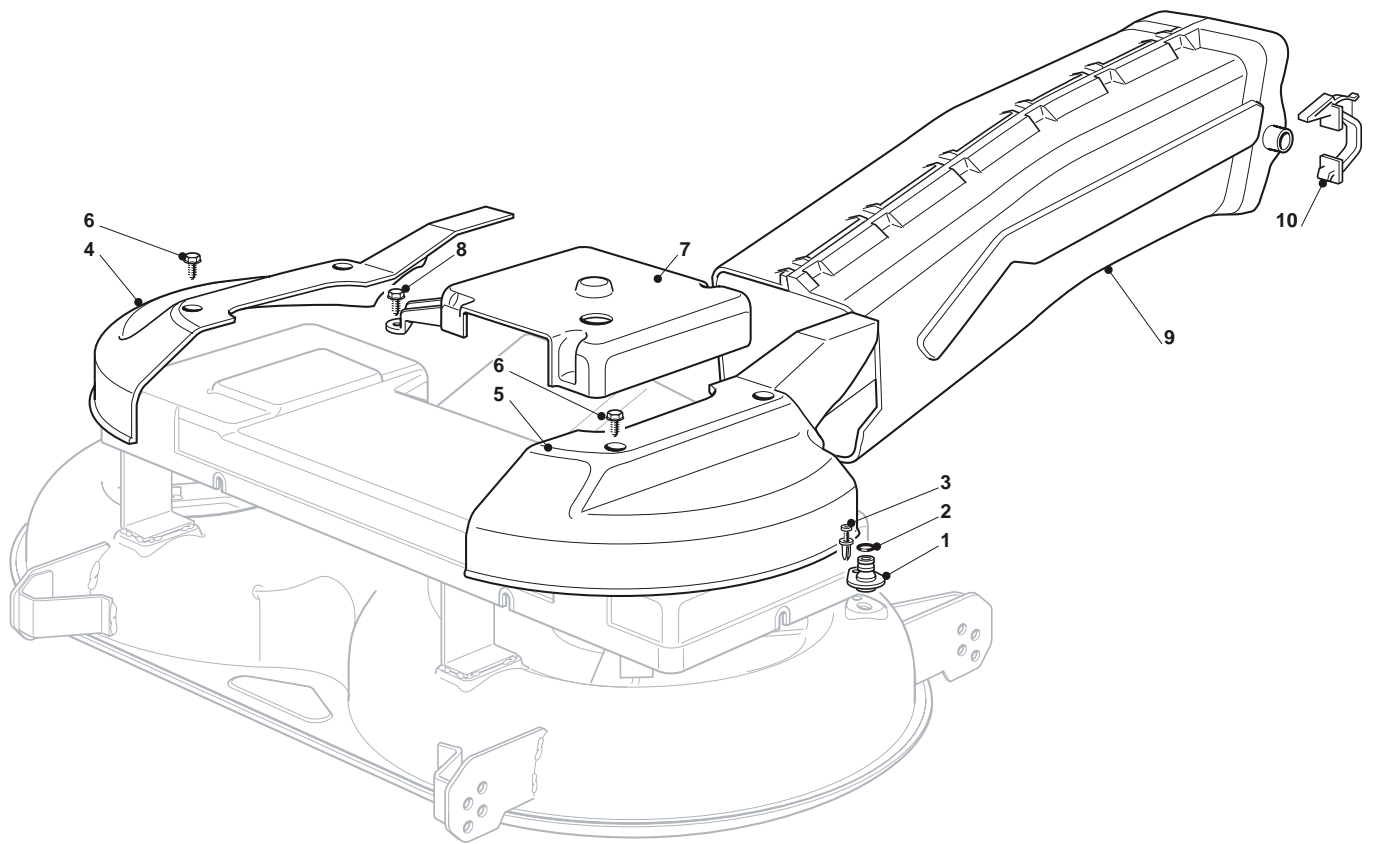
| POS | CODE | Q.TY | DESCRIPTION | DESCRIZIONE | DESCRIPTION | BESCHREIBUNG | NOTES |
|-----|-------------|------|---------------------------|---------------------------|---------------------------|---------------------------|-------|
| 1 | 382785181/1 | 1 | Bracket | Staffa | Etrier | Bride | |
| 2 | 112818690/0 | 2 | Screw | Vite | Vis | Schraube | |
| 3 | 112293201/0 | 2 | Nut | Dado | Ecrou | Nuss | |
| 4 | 125520009/0 | 1 | Axle | Asse Avanzamento | Axe | Achse | |
| 5 | 322672151/0 | 1 | Antifriction Washer | Rondella Antifrizione | Rondelle Antifricition | Anti Friktionswäscher | |
| 6 | 112436030/0 | 1 | Plate | Piastra | Plaque | Platte | |
| 7 | 325060037/0 | 1 | Cam | Camma | Came | Nocken | |
| 8 | 325394530/0 | 1 | Knob | Manopolina | Poignée | Griff | |
| 9 | 112760600/0 | 1 | Screw | Vite | Vis | Schraube | |
| 10 | 325430267/0 | 1 | Spring | Molla | Ressort | Feder | |
| 11 | 122170600/0 | 1 | Spacer | Distanziale | Entretoise | Distanzring | |
| 12 | 112789195/0 | 1 | Screw | Vite | Vis | Schraube | |
| 13 | 112154320/0 | 1 | Nut | Dado | Ecrou | Nuss | |
| 14 | 382000615/0 | 1 | Axle | Asse Avanzamento | Axe | Achse | |
| 15 | 325785355/0 | 2 | Support | Supporto | Support | Halter | |
| 16 | 325034003/0 | 4 | Brass | Bronzina | Coussinet | Büchse | |
| 17 | 325785354/0 | 2 | Support | Supporto | Support | Halter | |
| 19 | 125943005/0 | 1 | Screw | Vite | Vis | Schraube | |
| 20 | 112295200/0 | 1 | Nut | Dado | Ecrou | Nuss | |
| 21 | 112815271/0 | 4 | Screw | Vite | Vis | Schraube | |
| 22 | 112523040/0 | 4 | Washer | Rondella | Rondelle | Scheibe | |
| 23 | 112154510/0 | 4 | Nut | Dado | Ecrou | Nuss | |
| 31 | 382318155/0 | 1 | Front Right Fulcrum Lever | Front Right Fulcrum Lever | Front Right Fulcrum Lever | Front Right Fulcrum Lever | |
| 32 | 382318157/0 | 1 | Left Fulcrum | Fulcro | Pivot | Gelenkpunkt | |
| 33 | 125040605/0 | 4 | Bush | Bussola | Douille | Buchse | |
| 35 | 325318161/1 | 2 | Lever | Leva | Levier | Hebel | |
| 35 | 112691700/0 | 2 | Screw | Vite | Vis | Schraube | |
| 36 | 112521350/0 | 4 | Washer | Rondella | Rondelle | Scheibe | |
| 37 | 112155000/0 | 2 | Nut | Dado | Ecrou | Nuss | |
| 38 | 125510069/1 | 2 | Pin | Perno | Pivot | Bolzen | |
| 39 | 112295200/0 | 4 | Nut | Dado | Ecrou | Nuss | |
| 40 | 112156602/0 | 2 | Nut | Dado | Ecrou | Nuss | |
| 41 | 325670008/1 | 4 | Washer | Rondella | Rondelle | Scheibe | |
| 42 | 125110800/0 | 2 | Cotter Pin | Copiglia | Goupille | Split | |
| 43 | 382000477/3 | 2 | Connecting Rod Ass.Y | Asta Collegamento | Tige De Connexion | Verbindungsstab | |
| 44 | 125510055/1 | 2 | Pin | Perno | Pivot | Bolzen | |
| 45 | 112521350/0 | 2 | Washer | Rondella | Rondelle | Scheibe | |
| 46 | 112155000/0 | 2 | Nut | Dado | Ecrou | Nuss | |
| 47 | 112155000/0 | 2 | Nut | Dado | Ecrou | Nuss | |
| 48 | 112293200/0 | 2 | Nut | Dado | Ecrou | Nuss | |
| 49 | 325318153/2 | 2 | Rear Lever | Leva Posteriore | Levier Arriere | Hinterhebel | |
| 50 | 112609255/0 | 2 | Seeger | Seeger | Seeger | Seeger | |
| 51 | 325318223/0 | 2 | Gearshift | Leva | Levier | Hebel | |
| 52 | 125510085/1 | 4 | Pin | Perno | Pivot | Bolzen | |
| 53 | 325670011/0 | 4 | Antifriction Washer | Rondella Antifrizione | Rondelle Antifricition | Anti Friktionswäscher | |
| 54 | 112436050/0 | 4 | Plate | Piastra | Plaque | Platte | |
| 55 | 125510056/1 | 2 | Pin | Perno | Pivot | Bolzen | |
| 56 | 325670008/1 | 4 | Washer | Rondella | Rondelle | Scheibe | |
| 57 | 112156602/0 | 2 | Nut | Dado | Ecrou | Nuss | |
| 58 | 112794985/0 | 2 | Screw | Vite | Vis | Schraube | |
| 59 | 112295200/0 | 2 | Nut | Dado | Ecrou | Nuss | |
| 60 | 125510070/1 | 2 | Pin | Perno | Pivot | Bolzen | |
| 61 | 112523090/0 | 2 | Washer | Rondella | Rondelle | Scheibe | |
| 62 | 125110800/0 | 2 | Cotter Pin | Copiglia | Goupille | Split | |
| 63 | 125510053/2 | 1 | Pin | Perno | Pivot | Bolzen | |
| 64 | 125510048/1 | 1 | Pin | Perno | Pivot | Bolzen | |
| 65 | 325670011/0 | 2 | Antifriction Washer | Rondella Antifrizione | Rondelle Antifricition | Anti Friktionswäscher | |
| 66 | 112436050/0 | 2 | Cup Spring | Piastrina | Plaquette | Plättchen | |
| 67 | 112521350/0 | 2 | Washer | Rondella | Rondelle | Scheibe | |



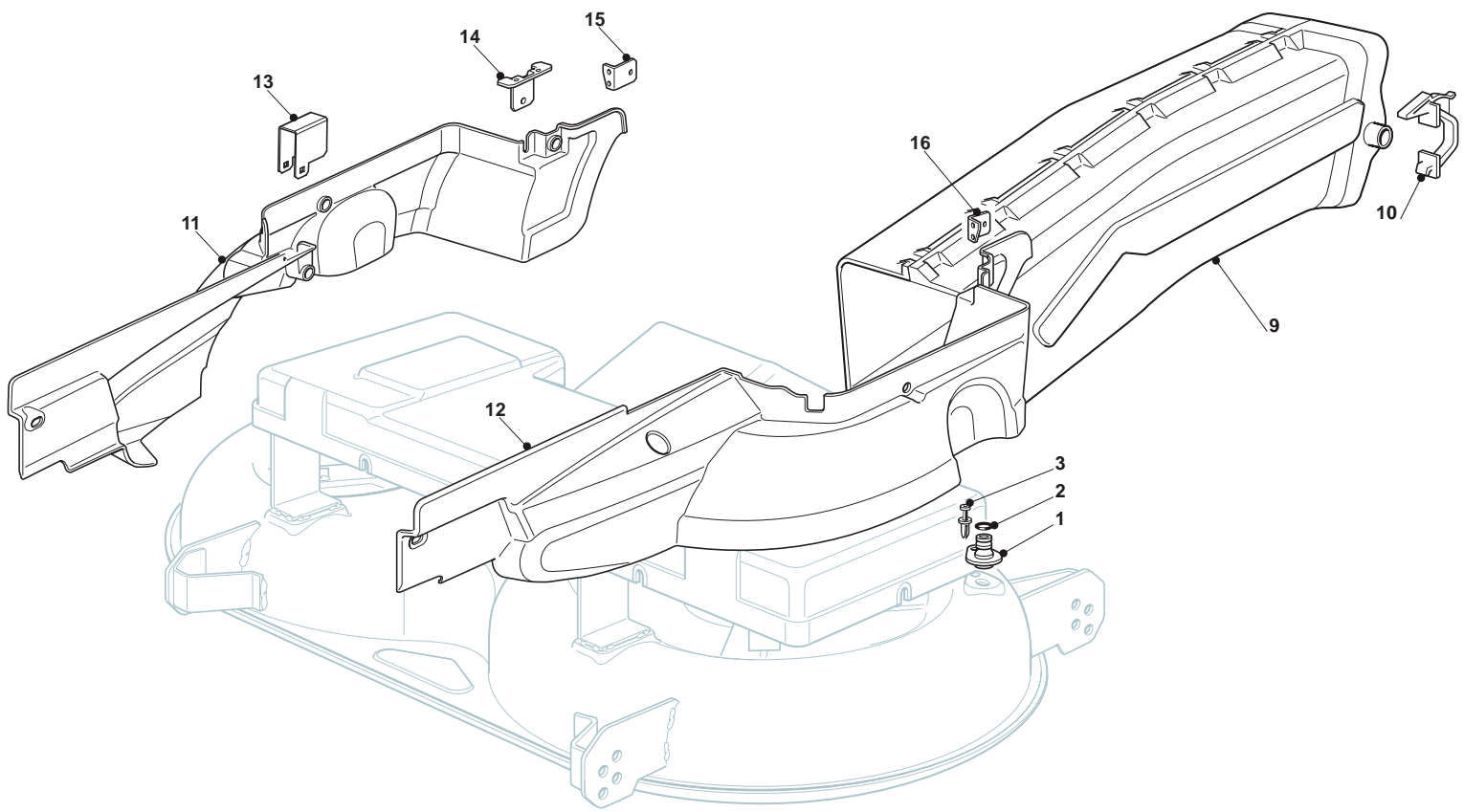
| Baldes Engagement | | | | | | | |
|-------------------|-------------|------|----------------------|----------------------|----------------------|----------------------------|-------|
| POS | CODE | Q.TY | DESCRIPTION | DESCRIZIONE | DESCRIPTION | BESCHREIBUNG | NOTES |
| 1 | 382547003/2 | 1 | Transmission Plate | Piastra Trasmissione | Plaque Transmission | Montageplatte | |
| 2 | 112792611/0 | 4 | Screw | Vite | Vis | Schraube | |
| 3 | 112293201/0 | 4 | Nut | Dado | Ecrou | Nuss | |
| 4 | 382785084/1 | 1 | Support | Supporto | Support | Halter | |
| 5 | 125601559/1 | 2 | Toothed Pulley | Puleggia Dentata | Poulie | Riemenscheibe | |
| 6 | 119216048/0 | 2 | Bearing | Cuscinetto | Roulement | Kugellager | |
| 7 | 112610800/0 | 2 | Snap Ring | Anello Elastico | Anneau Élastique | Elastischer Ring | |
| 8 | 112609200/0 | 2 | Seeger | Seeger | Seeger | Seeger | |
| 9 | 325650037/0 | 1 | Pulley Stiffening | Rinforzo Puleggia | Reinforcement Poulie | Verstaerkung Riemenscheibe | |
| 10 | 112793102/0 | 2 | Screw | Vite | Vis | Schraube | |
| 11 | 112521350/0 | 2 | Washer | Rondella | Rondelle | Scheibe | |
| 12 | 112583500/0 | 2 | Grower | Grower | Grower | Federring | |
| 13 | 125160003/0 | 4 | Spacer | Distanziale | Entretoise | Distanzring | |
| 14 | 125038000/0 | 4 | Bush | Bussola | Douille | Buchse | |
| 15 | 112691700/0 | 1 | Screw | Vite | Vis | Schraube | |
| 16 | 112691200/0 | 3 | Screw | Vite | Vis | Schraube | |
| 17 | 112521350/0 | 4 | Washer | Rondella | Rondelle | Scheibe | |
| 18 | 112155000/0 | 4 | Nut | Dado | Ecrou | Nuss | |
| 19 | 112793900/0 | 1 | Screw | Vite | Vis | Schraube | |
| 20 | 112293200/0 | 1 | Nut | Dado | Ecrou | Nuss | |
| 21 | 125601560/0 | 2 | Pulley | Puleggia | Poulie | Riemenscheibe | |
| 22 | 112139480/0 | 3 | Feather | Linguetta | Clavette | Keil | |
| 23 | 112793102/0 | 1 | Screw | Vite | Vis | Schraube | |
| 24 | 125670007/0 | 1 | Washer | Rondella | Rondelle | Scheibe | |
| 25 | 112583500/0 | 1 | Grower | Grower | Grower | Federring | |
| 26 | 135065600/0 | 1 | Belt | Cinghia | Courroie | Riemen | |
| 27 | 112815200/0 | 3 | Screw | Vite | Vis | Schraube | |
| 28 | 112292102/0 | 3 | Nut | Dado | Ecrou | Nuss | |
| 29 | 112523060/0 | 1 | Washer | Rondella | Rondelle | Scheibe | |
| 30 | 325060128/0 | 1 | Case | Carter | Carter | Blech | |
| 31 | 112735110/0 | 6 | Screw | Vite | Vis | Schraube | |
| 32 | 125601550/0 | 1 | Pulley | Puleggia | Poulie | Riemenscheibe | |
| 33 | 112793102/0 | 1 | Screw | Vite | Vis | Schraube | |
| 34 | 125670007/0 | 1 | Washer | Rondella | Rondelle | Scheibe | |
| 35 | 112583500/0 | 1 | Grower | Grower | Grower | Federring | |
| 36 | 125160002/0 | 1 | Spacer | Distanziale | Entretoise | Distanzring | |
| 37 | 325318115/1 | 1 | Lever | Leva | Levier | Hebel | |
| 38 | 112793102/0 | 1 | Screw | Vite | Vis | Schraube | |
| 39 | 112583500/0 | 1 | Grower | Grower | Grower | Federring | |
| 40 | 112523070/0 | 1 | Washer | Rondella | Rondelle | Scheibe | |
| 41 | 125601555/0 | 1 | Pulley | Puleggia | Poulie | Riemenscheibe | |
| 42 | 125160007/0 | 1 | Spacer | Distanziale | Entretoise | Distanzring | |
| 43 | 112818900/0 | 1 | Screw | Vite | Vis | Schraube | |
| 44 | 112523060/0 | 1 | Washer | Rondella | Rondelle | Scheibe | |
| 45 | 112155000/0 | 1 | Nut | Dado | Ecrou | Nuss | |
| 46 | 135062811/0 | 1 | Belt | Cinghia | Courroie | Riemen | |
| 47 | 182004608/0 | 1 | Blade Engagment Wire | Filo Innesto Lame | Fil Embrayage Lame | Kabel | |



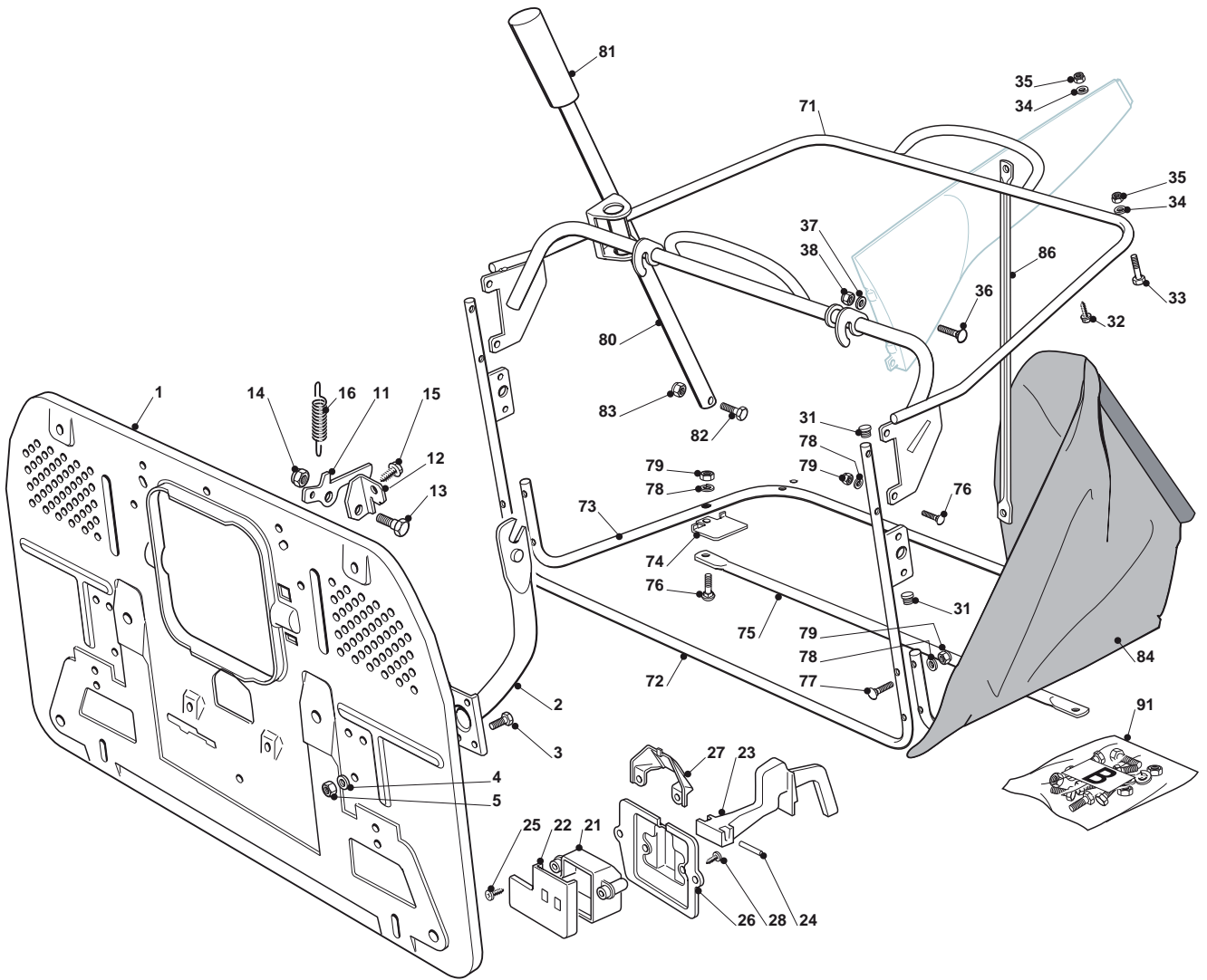
| Cutting Plate | | | | | | | |
|---------------|-------------|------|---------------------------------|--------------------------------------|---------------------------------|--------------------------------|-------|
| POS | CODE | Q.TY | DESCRIPTION | DESCRIZIONE | DESCRIPTION | BESCHREIBUNG | NOTES |
| 1 | 382564131/0 | 1 | Cutting Plate Black | Piatto Di Taglio Nero | Plateau De Coupe Noir | Schneidwerkzeug Schwarz | |
| 1 | 382564132/0 | 1 | Cutting Plate Red | Piatto Di Taglio Rosso | Plateau De Coupe Rouge | Schneidwerkzeug Rot | |
| 1 | 382564133/0 | 1 | Cutting Plate Yellow | Piatto Di Taglio Giallo | Plateau De Coupe Jaune | Schneidwerkzeug Gelb | |
| 2 | 125033060/0 | 2 | Washing Cutting Deck Connection | Attacco Lavaggio Piatto | Attaque Lavage Plateau De Coupe | Wasseranschluß Mähwerk | |
| 3 | 119035000/0 | 2 | O Ring | O Ring | O Ring | O Ring | |
| 4 | 112500030/0 | 2 | Rivet | Rivetto | Rivet | Niet | |
| 8 | 382207200/1 | 1 | Flange Assy | Ass. Flangia | Ensamble Bride | Flansch, Komplett | |
| 9 | 382207201/2 | 1 | Support Shaft Tc | Flangia Albero Secondario | Flange Arbre Lame Secondaire | Messerwellw Kpl | |
| 10 | 125020800/1 | 1 | Main Blade Shaft | Albero Lama Principale | Arbre Lame Principal | Haupt Messerwelle | |
| 11 | 125020801/2 | 1 | Secondary Blade Shaft | Albero Lama Secondario | Arbre Lame Secondaire | Zweite Messerwelle | |
| 13 | 119216032/0 | 4 | Bearing | Bearing | Bearing | Bearing | |
| 14 | 325160501/0 | 2 | Dust Cover Disc | Disco Parapolvere | Protege-Poussiere | Staubschuttscheibe | |
| 15 | 112609260/0 | 2 | Seeger | Seeger | Seeger | Seeger | |
| 16 | 112818700/0 | 6 | Screw | Vite | Vis | Schraube | |
| 17 | 112154210/0 | 6 | Nut | Dado | Ecrou | Nuss | |
| 18 | 125463200/0 | 2 | Blade Hub | Mozzo Coltello | Moyeu Lame | Messerhalter | |
| 19 | 112139100/0 | 2 | Key | Chiave | Clef | Schlüssel | |
| 20 | 182004348/0 | 1 | Right Mulching Blade | Coltello Destro Mulching | Lame Droit Mulching | Rechter Messer Mulching | |
| 21 | 182004347/0 | 1 | Left Blade Mulching, Winged | Coltello Sinistro Mulching, Alettato | Lame Gauche Mulching, Aillettee | Linker Messer Mulching, Flügel | |
| 22 | 122160400/0 | 2 | Elastic Washer | Disco Elastico | Disque Elastique | Federscheibe | |
| 23 | 112523080/0 | 2 | Washer | Rondella | Rondelle | Scheibe | |
| 24 | 112735694/0 | 1 | Screw | Vite | Vis | Schraube | |
| 25 | 112735695/1 | 1 | Screw | Vite | Vis | Schraube | |
| 26 | 182700003/0 | 2 | Anti Scalp Wheel Ø 80 | Ruotino Antiscalpo Ø 80 | Roulettes Antiscalp Ø 80 | Skalpierschutzrädchen Ø 80 | |
| 27 | 125510072/0 | 2 | Pin | Perno | Pivot | Bolzen | |
| 28 | 112692050/0 | 2 | Screw | Vite | Vis | Schraube | |
| 29 | 112523060/0 | 2 | Washer | Rondella | Rondelle | Scheibe | |
| 30 | 112293201/0 | 2 | Nut | Dado | Ecrou | Nuss | |
| 31 | 182700004/0 | 2 | Anti Scalp Wheel Ø 100 | Ruotino Antiscalpo Ø 100 | Roulettes Antiscalp Ø 100 | Skalpierschutzrädchen Ø 100 | |
| 32 | 125510121/0 | 2 | Pin | Perno | Pivot | Bolzen | |
| 33 | 122450115/0 | 2 | Spring | Molla | Ressort | Feder | |
| 34 | 112000930/0 | 2 | Benzing Ring | Anello Benzing | Anneau Benzing | Ring Benzing | |
| 41 | 182004341/1 | 1 | Right Blade, Winged | Coltello Destro, Alettato | Lame Droit, Aillettee | Rechter Messer, Flügel | |
| 42 | 182004340/1 | 1 | Left Blade, Winged | Coltello Sinistro, Alettato | Lame Gauche, Aillettee | Linker Messer, Flügel | |
| 51 | 325140100/0 | 1 | Deflector | Deflettore | Deflecteur | Abweiser | |
| 52 | 112815210/0 | 2 | Screw | Vite | Vis | Schraube | |
| 53 | 125038002/1 | 2 | Bush | Bussola | Douille | Buchse | |
| 54 | 112154510/0 | 2 | Nut | Dado | Ecrou | Nuss | |



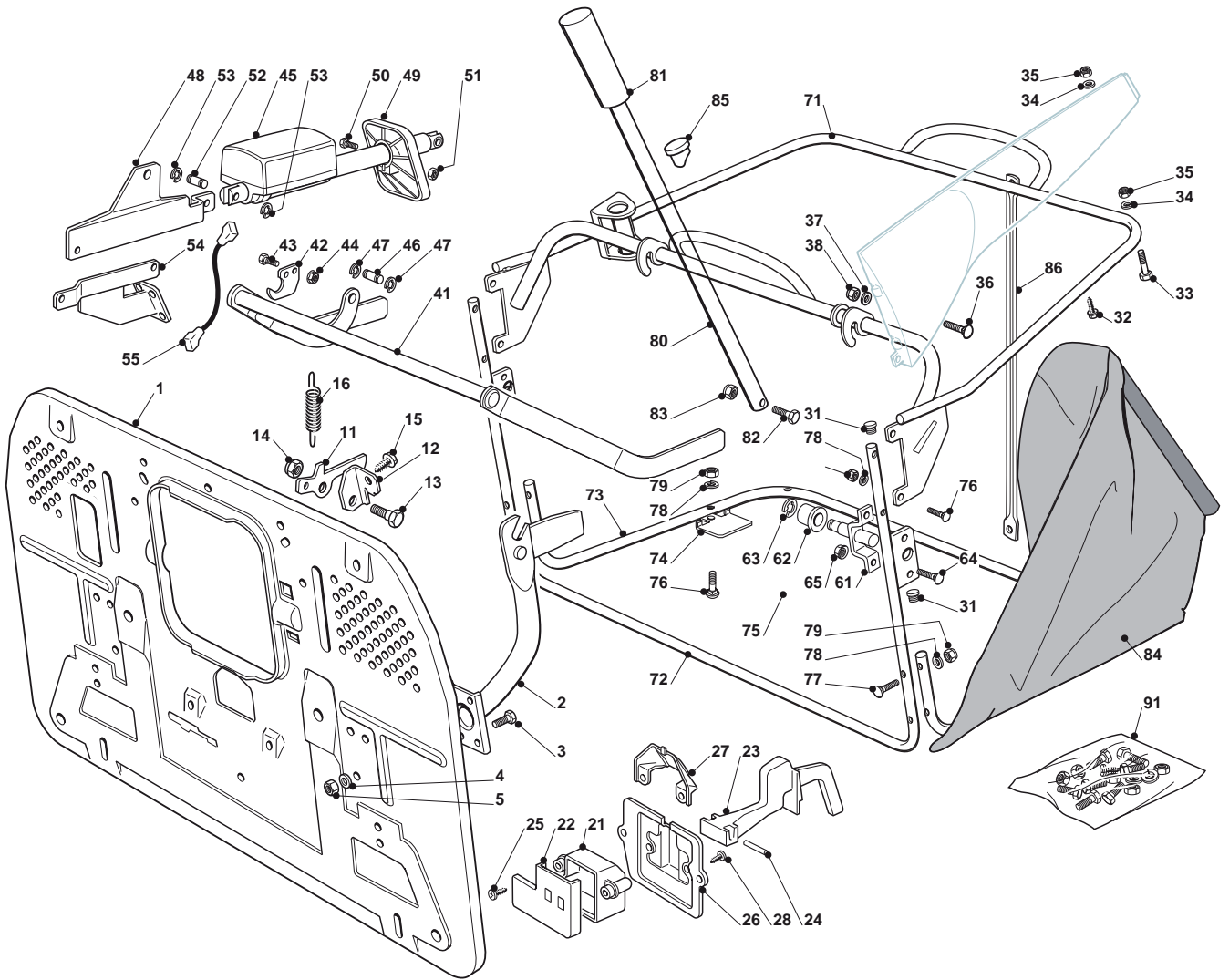
| Guards And Conveyor | | | | | | | |
|---------------------|-------------|------|---------------------------------|------------------------------|-----------------------------------|------------------------|-------|
| POS | CODE | Q.TY | DESCRIPTION | DESCRIZIONE | DESCRIPTION | BESCHREIBUNG | NOTES |
| 1 | 125033060/0 | 2 | Washing Cutting Deck Connection | Attacco Lavaggio Piatto | Attaque Lavage Plateau De Coupe | Wasseranschluß Mähwerk | |
| 2 | 119035000/0 | 2 | O Ring | O Ring | O Ring | O Ring | |
| 3 | 112500030/0 | 2 | Rivet | Rivetto | Rivet | Niet | |
| 4 | 125060104/0 | 1 | Right Belt Protection Carter | Carter Protezione Cinghia Dx | Carter Protection Courroie Droit | Schutz Rechte, Riemen | Grey |
| 4 | 325060113/0 | 1 | Right Belt Protection Carter | Carter Protezione Cinghia Dx | Carter Protection Courroie Droit | Schutz Rechte, Riemen | Black |
| 5 | 125060105/0 | 1 | Left Belt Protection Carter | Carter Protezione Cinghia Sx | Carter Protection Courroie Gauche | Schutz Linke, Riemen | Grey |
| 5 | 325060114/0 | 1 | Left Belt Protection Carter | Carter Protezione Cinghia Sx | Carter Protection Courroie Gauche | Schutz Linke, Riemen | Black |
| 6 | 112735403/0 | 4 | Screw | Vite | Vis | Schraube | |
| 7 | 125600049/0 | 1 | Belt Protection | Carter Cinghia | Protection Courroie | Schutz, Riemen | |
| 8 | 112735403/0 | 3 | Screw | Vite | Vis | Schraube | |
| 9 | 382108017/0 | 1 | Conveyor | Convogliatore | Convoyeur | Konveyor | |
| 10 | 325774373/0 | 2 | Clamp | Staffa | Etrier | Bride | |



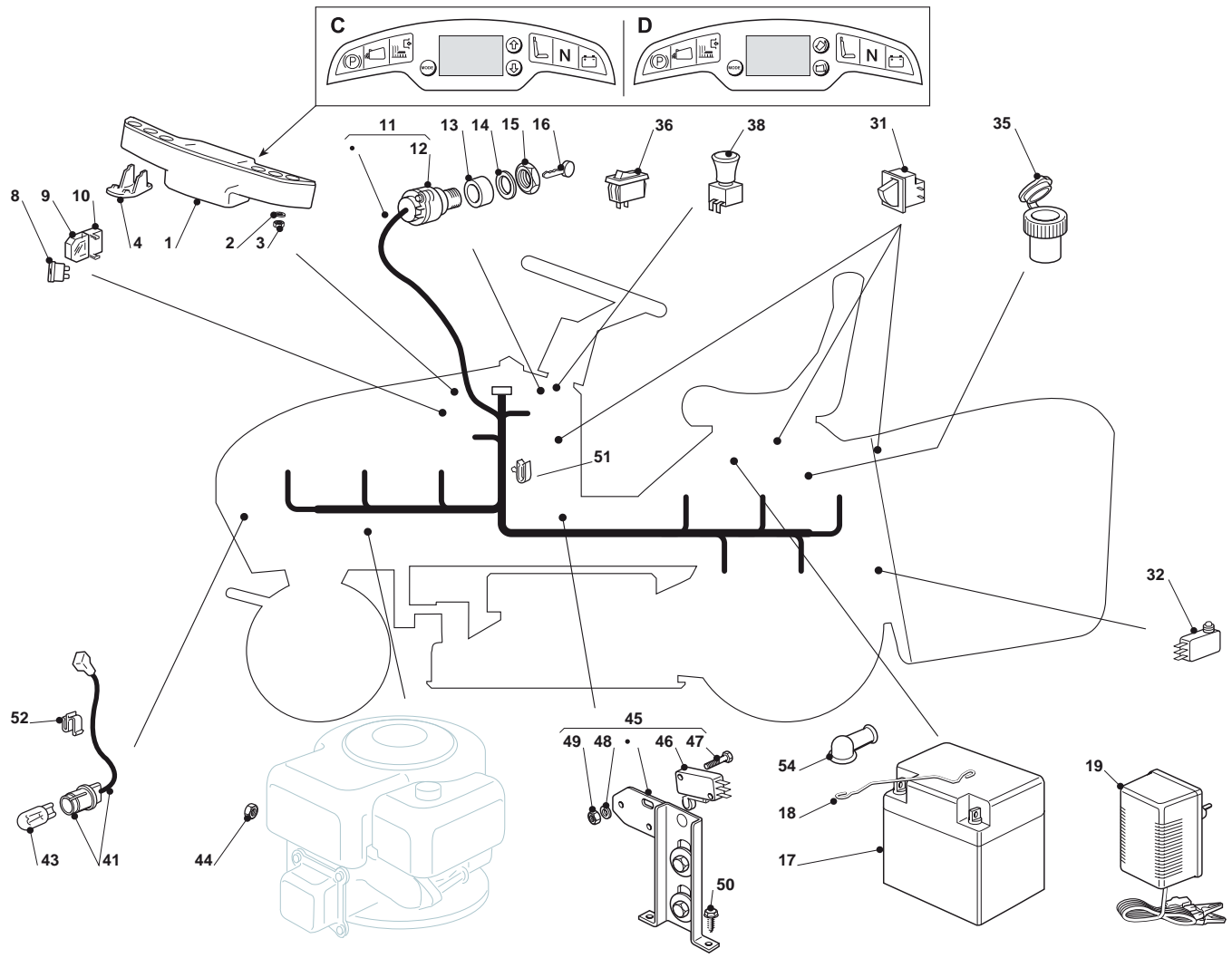
| Guards And Conveyor (Cemagref) | | | | | | | |
|--------------------------------|-------------|------|---------------------------------|-------------------------|---------------------------------|------------------------|-------|
| POS | CODE | Q.TY | DESCRIPTION | DESCRIZIONE | DESCRIPTION | BESCHREIBUNG | NOTES |
| 1 | 125033060/0 | 2 | Washing Cutting Deck Connection | Attacco Lavaggio Piatto | Attaque Lavage Plateau De Coupe | Wasseranschluß Mähwerk | |
| 2 | 119035000/0 | 2 | O Ring | O Ring | O Ring | O Ring | |
| 3 | 112500030/0 | 2 | Rivet | Rivetto | Rivet | Niet | |
| 9 | 382108017/0 | 1 | Conveyor | Convogliatore | Convoyeur | Konveyor | |
| 10 | 325774373/0 | 2 | Clamp | Staffa | Etrier | Bride | |
| 11 | 325060150/0 | 1 | Protection | Protezione | Protection | Schutz | |
| 12 | 325060151/0 | 1 | Protection | Protezione | Protection | Schutz | |
| 13 | 325774267/0 | 2 | Clamp | Staffa | Etrier | Bride | |
| 14 | 325774423/0 | 2 | Clamp | Staffa | Etrier | Bride | |
| 15 | 325774425/0 | 1 | Clamp | Staffa | Etrier | Bride | |
| 16 | 325774421/0 | 1 | Clamp | Staffa | Etrier | Bride | |



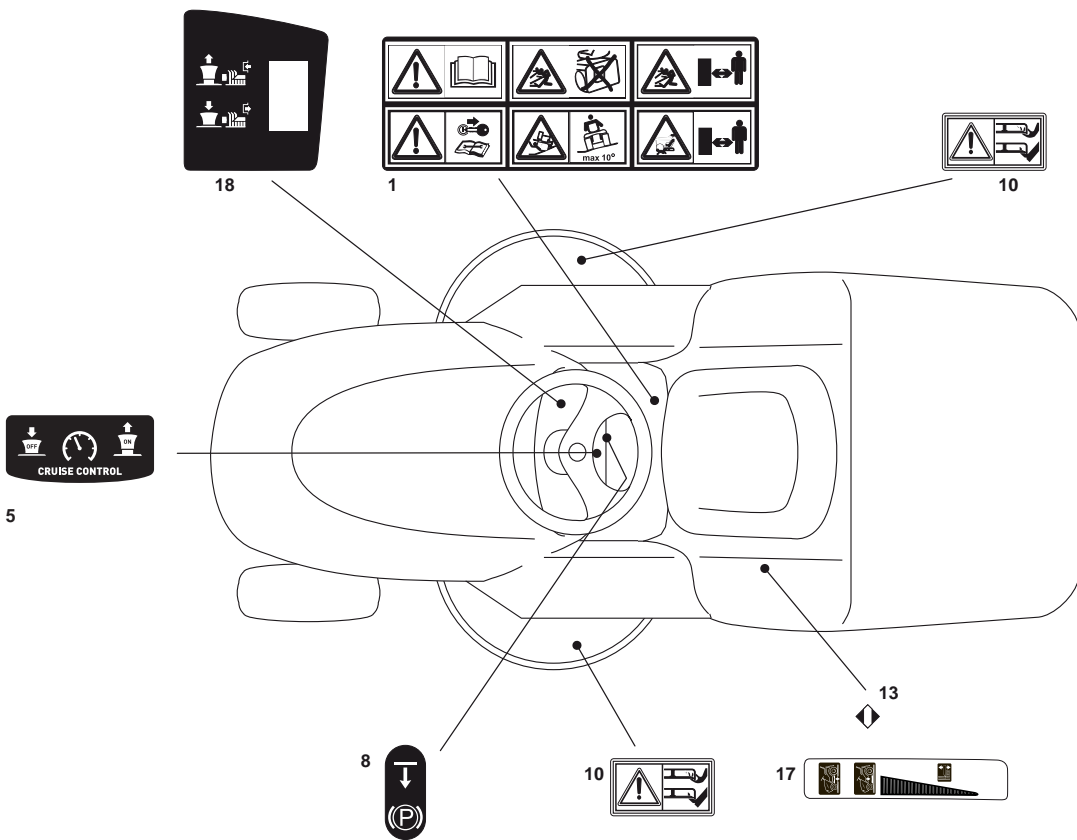
| POS | CODE | Q.TY | DESCRIPTION | DESCRIZIONE | DESCRIPTION | BESCHREIBUNG | NOTES |
|-----|-------------|------|------------------------------------|------------------------------------|------------------------------------|------------------------------------|-------|
| 1 | 382547051/0 | 1 | Plate | Piastrina | Plaquette | Plättchen | |
| 2 | 182774225/1 | 2 | Support | Supporto | Support | Halter | |
| 3 | 112793102/0 | 6 | Screw | Vite | Vis | Schraube | |
| 4 | 112523060/0 | 6 | Washer | Rondella | Rondelle | Scheibe | |
| 5 | 112293201/0 | 6 | Nut | Dado | Ecrou | Nuss | |
| 11 | 325774417/0 | 1 | Clamp | Staffa | Etrier | Bride | |
| 12 | 325755031/1 | 1 | Bracket | Squadretta | Equerre-Support | Winkel | |
| 13 | 125510080/1 | 1 | Pin | Perno | Pivot | Bolzen | |
| 14 | 112292102/0 | 1 | Nut | Dado | Ecrou | Nuss | |
| 15 | 112735122/0 | 1 | Screw | Vite | Vis | Schraube | |
| 16 | 127430579/1 | 1 | Clutch Spring | Molla Frizione | Ressort | Kupplungsfeder | |
| 21 | 125600041/0 | 1 | Grassc.Full Micro Protection Tcj-F | Grassc.Full Micro Protection Tcj-F | Grassc.Full Micro Protection Tcj-F | Grassc.Full Micro Protection Tcj-F | |
| 22 | 125600042/0 | 1 | Grasscatcher Micro Prot Cover | Grasscatcher Micro Prot Cover | | | |
| 23 | 125318124/0 | 1 | Full Grassc. Microswtich Cover | Leva Comando Micro | Levier Microint. | Kontaktgeber Vollkorb | |
| 24 | 112400030/0 | 1 | Pin | Perno | Pivot | Bolzen | |
| 25 | 112728510/0 | 1 | Screw | Vite | Vis | Schraube | |
| 26 | 325785272/0 | 1 | Micro Protection | Micro Protection | Micro Protection | Micro Protection | |
| 27 | 125600048/0 | 1 | Protection Cover | Coperchio Protezione | Couvercle Protection | Schutzdeckel | |
| 28 | 112728450/0 | 2 | Screw | Vite | Vis | Schraube | |
| 31 | 118566110/0 | 4 | Cap | Tappo | Bouchon | Stopfen | |
| 32 | 112735410/0 | 4 | Screw | Vite | Vis | Schraube | |
| 33 | 112689500/0 | 2 | Screw | Vite | Vis | Schraube | |
| 34 | 112521330/0 | 4 | Washer | Rondella | Rondelle | Scheibe | |
| 35 | 112154510/0 | 4 | Nut | Dado | Ecrou | Nuss | |
| 36 | 112815220/0 | 2 | Screw | Vite | Vis | Schraube | |
| 37 | 112521330/0 | 2 | Washer | Rondella | Rondelle | Scheibe | |
| 38 | 112154510/0 | 2 | Nut | Dado | Ecrou | Nuss | |
| 71 | 382800123/1 | 1 | Upper Frame | Telaio Superiore | Chassis Superieur | Obererrahmen | |
| 72 | 382800091/1 | 1 | Front Frame | Telaio Bocca Sacco | Chassis Avant | Vorderrahmen | |
| 73 | 325800031/0 | 1 | Lower Frame | Telaio Inferiore | Chassis Inferieur | Unterrahmen | |
| 74 | 325547131/0 | 1 | Plate | Plate | Plate | Plate | |
| 75 | 382650043/0 | 1 | Lower Stiffening | Rinforzo Inferiore | Renforcement Inferieure | Obere Verstaerkung | |
| 76 | 112815220/0 | 6 | Screw | Vite | Vis | Schraube | |
| 77 | 112815245/0 | 4 | Screw | Vite | Vis | Schraube | |
| 78 | 112521330/0 | 10 | Washer | Rondella | Rondelle | Scheibe | |
| 79 | 112154510/0 | 10 | Nut | Dado | Ecrou | Nuss | |
| 80 | 125869029/1 | 1 | Lifting Tube | Lifting Tube | Lifting Tube | Lifting Tube | |
| 81 | 125394508/0 | 1 | Knob | Manopola | Poingee | Knopf | |
| 82 | 112674550/0 | 1 | Screw | Vite | Vis | Schraube | |
| 83 | 112154510/0 | 1 | Nut | Dado | Ecrou | Nuss | |
| 84 | 182105945/0 | 1 | Grasscatcher | Confezione Sacco | Bac | Sack | |
| 86 | 325650159/0 | 1 | Rear Stiffening | Rinforzo Posteriore | Rénforcement Arriere | Hinterverstaerkung | |
| 91 | 382180116/0 | 1 | Screw | Vite | Vis | Schraube | |



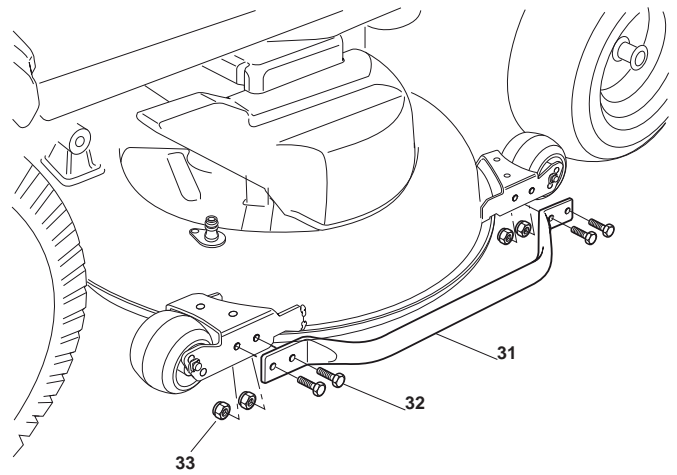
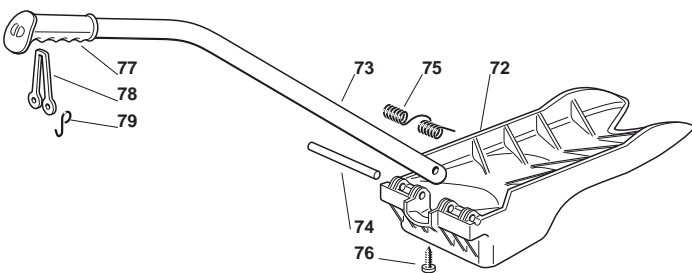
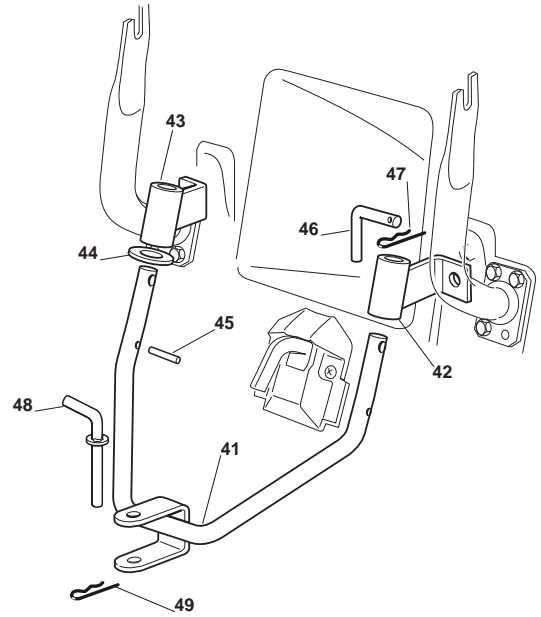
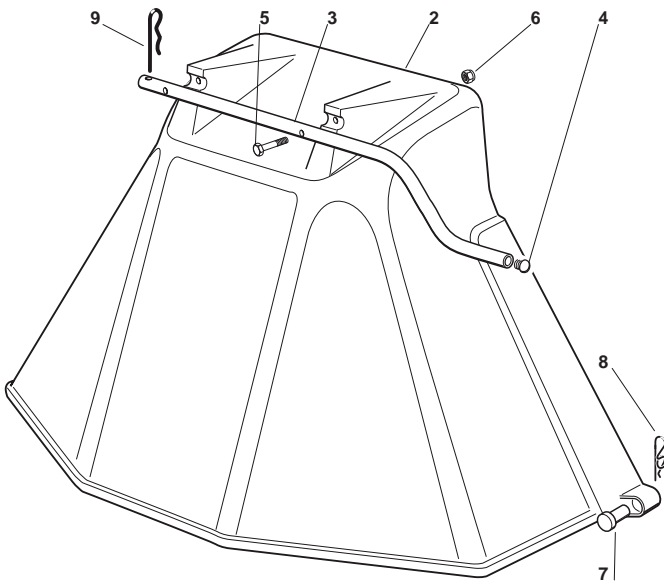
| POS | CODE | Q.TY | DESCRIPTION | DESCRIZIONE | DESCRIPTION | BESCHREIBUNG | NOTES |
|-----|-------------|------|--------------------------------|--------------------------|---------------------------|---------------------------|-------|
| 1 | 382547053/0 | 1 | Plate | Piastra | Plaque | Platte | |
| 2 | 382774245/0 | 2 | Support | Supporto | Support | Halter | |
| 3 | 112793102/0 | 6 | Screw | Vite | Vis | Schraube | |
| 4 | 112523060/0 | 6 | Washer | Rosetta | Rondelle | Scheibe | |
| 5 | 112293201/0 | 6 | Nut | Dado | Ecrou | Mutter | |
| 11 | 325774417/0 | 1 | Clamp | Staffa | Etrier | Bride | |
| 12 | 325755031/1 | 1 | Bracket | Staffa | Etrier | Bride | |
| 13 | 125510080/1 | 1 | Pin | Perno | Pivot | Bolzen | |
| 14 | 112292102/0 | 1 | Nut | Dado | Ecrou | Mutter | |
| 15 | 112735122/0 | 1 | Screw | Vite | Vis | Schraube | |
| 16 | 127430571/0 | 1 | Spring | Molla | Ressort | Feder | |
| 21 | 125600041/0 | 1 | Micro Protection | Protezione Micro | Protection Micro | Schutz | |
| 22 | 125600042/0 | 1 | Micro Protection | Protezione Micro | Protection Micro | Schutz | |
| 23 | 125318124/0 | 1 | Full Grassc. Microswitch Cover | Leva Comando Micro | Levier Microint. | Kontaktgeber Vollkorb | |
| 24 | 112400030/0 | 1 | Pin | Perno | Pivot | Bolzen | |
| 25 | 112728510/0 | 1 | Elastic Washer | Disco Elastico | Disque Elastique | Federscheibe | |
| 26 | 325785272/0 | 1 | Micro Switch Bracket | Supporto Micro | Support Micro | Lenkkonsole | |
| 27 | 125600048/0 | 1 | Micro Protection | Protezione Micro | Protection Micro | Schutz | |
| 28 | 112728450/0 | 2 | Screw | Vite | Vis | Schraube | |
| 31 | 118566110/0 | 4 | Cap | Puntale | Bouchon | Pfropfen | |
| 32 | 112735410/0 | 4 | Screw | Vite | Vis | Schraube | |
| 33 | 112689500/0 | 2 | Screw | Vite | Vis | Schraube | |
| 34 | 112521330/0 | 4 | Washer | Rosetta | Rondelle | Scheibe | |
| 35 | 112154510/0 | 4 | Nut | Dado | Ecrou | Mutter | |
| 36 | 112815220/0 | 2 | Screw | Vite | Vis | Schraube | |
| 37 | 112521330/0 | 2 | Washer | Rosetta | Rondelle | Scheibe | |
| 38 | 112154510/0 | 2 | Nut | Dado | Ecrou | Mutter | |
| 41 | 382000507/0 | 1 | Axle | Asse Avanzamento | Axe | Achse | |
| 42 | 325774317/0 | 2 | Bracket | Staffa | Support | Schelle | |
| 43 | 112815210/0 | 4 | Screw | Vite | Vis | Schraube | |
| 44 | 112154510/0 | 4 | Nut | Dado | Ecrou | Mutter | |
| 45 | 118001000/0 | 1 | Actuator | Attuator | Actuator | Actuator | |
| 46 | 125510083/0 | 1 | Pin | Perno | Pivot | Bolzen | |
| 47 | 112000955/0 | 2 | Benzing Ring | Anello Benzing | Anneau Benzing | Ring Benzing | |
| 48 | 325785197/0 | 1 | Actuator Support Tc | Supporto Adattatore | Actuator Support Tc | Aktuator Halter | |
| 49 | 325600060/0 | 1 | Protection | Protezione | Protection | Schutz | |
| 50 | 112727795/0 | 1 | Screw | Vite | Vis | Schraube | |
| 51 | 112154330/0 | 1 | Low Self-Locking Nut | Dado Autobloccante | Écrou auto-bloquant | Selbstsichernde Mutter | |
| 52 | 125510083/0 | 1 | Pin | Perno | Pivot | Bolzen | |
| 53 | 112000955/0 | 2 | Benzing Ring | Anello Benzing | Anneau Benzing | Ring Benzing | |
| 54 | 382650209/0 | 1 | Stiffening | Rinforzo | Renforcement | Verstaerkung | |
| 55 | 125065030/0 | 1 | Connecting Cable | Cavo Collegamento | Cable De Connexion | Verbindungskabel | |
| 61 | 382785147/0 | 2 | Support | Supporto | Support | Halter | |
| 62 | 125690001/0 | 2 | Roll | Rullino | Rouleau | Walze | |
| 63 | 112000956/0 | 2 | Ring (Benzing) | Anello (Benzing) | Anneau (Benzing) | Ring (Benzing) | |
| 64 | 112818690/0 | 4 | Screw | Vite | Vis | Schraube | |
| 65 | 112293201/0 | 4 | Nut | Dado | Ecrou | Mutter | |
| 71 | 382800123/1 | 1 | Upper Frame | Telaio Superiore | Chassis Superieur | Obererrahmen | |
| 72 | 382800089/1 | 1 | Front Frame | Front Frame | Front Frame | Front Frame | |
| 73 | 325800031/0 | 1 | Lower Frame | Telaio Inferiore | Chassis Inferieur | Unterrahmen | |
| 74 | 325547131/0 | 1 | Plate | Piastra | Plaque | Platte | |
| 75 | 382650039/0 | 1 | Lower Stiffening | Rinforzo Inferiore | Renforcement Inferieure | Obere Verstaerkung | |
| 75 | 382650043/0 | 1 | Lower Stiffening | Rinforzo Inferiore | Renforcement Inferieure | Obere Verstaerkung | |
| 76 | 112815220/0 | 6 | Screw | Vite | Vis | Schraube | |
| 77 | 112815245/0 | 4 | Screw | Vite | Vis | Schraube | |
| 78 | 112521330/0 | 10 | Washer | Rosetta | Rondelle | Scheibe | |
| 79 | 112154510/0 | 10 | Nut | Dado | Ecrou | Mutter | |
| 80 | 125869029/1 | 1 | Grasscatcher Lifting Tube | Tube Sollevamento Piatto | Grasscatcher Lifting Tube | Grasscatcher Lifting Tube | |
| 81 | 125394508/0 | 1 | Knob | Manopola | Poignee | Knopf | |
| 82 | 112674550/0 | 1 | Screw | Vite | Vis | Schraube | |
| 83 | 112154510/0 | 1 | Nut | Dado | Ecrou | Mutter | |
| 84 | 182105945/0 | 1 | Grasscatcher | Confezione Sacco | Bac | Sack | |
| 85 | 325120232/0 | 1 | Cap | Tappo | Bouchon | Stopfen | |
| 86 | 325650159/0 | 1 | Rear Stiffening | Rinforzo Posteriore | Rénforcement Arriere | Hinterverstaerkung | |
| 91 | 382180117/0 | 1 | Screw | Vite | Vis | Schraube | |



| Electrical Parts | | | | | | | |
|------------------|-------------|------|--------------------------|-------------------------|--------------------------|--------------------------|--|
| POS | CODE | Q.TY | DESCRIPTION | DESCRIZIONE | DESCRIPTION | BESCHREIBUNG | NOTES |
| 1 | 382722422/3 | 1 | Cards + Guards (D) | Schede + Protezioni (D) | Cartes + Protections (D) | Karte + Schutze (D) | |
| 1 | 382722423/2 | 1 | Cards + Guards (C) | Schede + Protezioni (C) | Cartes + Protections (C) | Karte + Schutze (C) | |
| 2 | 112521320/0 | 2 | Washer | Rosetta | Rondelle | Scheibe | |
| 3 | 112154330/0 | 2 | Low Self-Locking Nut | Dado Autobloccante | Écrou auto-bloquant | Selbstsichernde Mutter | |
| 4 | 325031501/0 | 1 | Deflector | Deflettore | Deflecteur | Abweiser | |
| 8 | 133340035/0 | 1 | Lamellar Fusible 15A | Lamellar Fusible 15A | Lamellar Fusible 15A | Lamellar Fusible 15A | only for models with ele. grasscatcher lifting |
| 8 | 133340036/0 | 1 | Fuse 25 A | Fusibile 25 A | Fusible 25 A | Sicherung 25 A | |
| 8 | 133340040/0 | 1 | Fuse 10A | Fusibile 10A | Fusible 10A | Sicherung 10A | |
| 9 | 133215000/0 | 2 | Cover | Coperchio Membrana | Couvercle Membrane | Deckel Membran | only for models with man. grasscatcher lifting |
| 9 | 133215000/0 | 3 | Cover | Coperchio Membrana | Couvercle Membrane | Deckel Membran | only for models with ele. grasscatcher lifting |
| 10 | 133500007/0 | 2 | Fuse Carrier | Portafusibile | Tableau De Fusible | Sicherungshalter | only for models with man. grasscatcher lifting |
| 10 | 133500007/0 | 3 | Fuse Carrier | Portafusibile | Tableau De Fusible | Sicherungshalter | only for models with ele. grasscatcher lifting |
| 11 | 182040179/0 | 1 | Cables Ass.Y | Cablaggio | Ens. Cablages | Kabelsatz | only for models with B&S and Kohler engine |
| 11 | 182040180/0 | 1 | Cables Ass.Y | Cablaggio | Ens. Cablages | Kabelsatz | only for models with Honda engine |
| 12 | 118450072/0 | 1 | Starting Switch | Interruttore Avviamento | Interrupteur Demarrage | Schalter | |
| 13 | 118550136/0 | 1 | Elastic Washer | Disco Elastico | Disque Elastique | Federscheibe | |
| 14 | 118550135/0 | 1 | Washer | Rosetta | Rondelle | Scheibe | |
| 15 | 118400862/0 | 1 | Ring Nut | Ring Nut | Ring Nut | Ring Nut | |
| 16 | 118210022/0 | 1 | Starting Key | Chiave Avviamento | Clef A Demarrage | Schlüssel Für Start | |
| 17 | 118120057/0 | 1 | Battery | Battery | Battery | Battery | |
| 18 | 125430230/0 | 1 | Spring | Molla | Ressort | Feder | |
| 19 | 182180090/0 | 1 | Battery Charger | Carica Batteria | Chargeur De Batterie | Batterieladegerät | UE Plag |
| 19 | 182180091/0 | 1 | Battery Charger | Carica Batteria | Chargeur De Batterie | Batterieladegerät | UK Plag |
| 31 | 119410615/0 | 3 | Micro Switch | Micro Interruttore | Microinterrupteur | Mikroschalter | |
| 32 | 119410605/1 | 1 | Micro Switch | Micro Interruttore | Microinterrupteur | Mikroschalter | |
| 35 | 118450200/0 | 1 | Cigarette Lighter Socket | Accendisigari | Cigarette Lighter Socket | Cigarette Lighter Socket | |
| 36 | 118450060/1 | 1 | Switch | Interruttore | Interrupteur | Schalter | |
| 38 | 118450068/0 | 1 | Switch | Interruttore | Interrupteur | Schalter | |
| 41 | 182040073/0 | 1 | Lamp Holder | Portalampane | Douille De Lampe | Scheinwerferlampe | |
| 43 | 118459100/0 | 2 | Lamp For Lights | Lamp For Lights | Lamp For Lights | Lamp For Lights | |
| 44 | 112361005/0 | 1 | Hexagonal Nut | Dado | Écrou | Mutter | |
| 45 | 382394853/0 | 1 | Switch Ass.Y | Ass. Micro | Micro. Ens. | Mikrosatz | |
| 46 | 119410609/0 | 1 | Micro Switch | Micro Interruttore | Microinterrupteur | Mikroschalter | |
| 47 | 112735602/0 | 2 | Screw | Vite | Vis | Schraube | |
| 48 | 112581100/0 | 2 | Grower | Grower | Grower | Federring | |
| 49 | 112290791/0 | 2 | Hexagonal Nut | Dado | Écrou | Mutter | |
| 50 | 112735110/0 | 2 | Screw | Vite | Vis | Schraube | |
| 51 | 133320506/0 | 5 | Fairlead | Fermacavo | Fixation Cable | Kabelbefestigung | |
| 52 | 133320504/0 | 1 | Fairlead | Fermacavo | Fixation Cable | Kabelbefestigung | |
| 54 | 118564864/1 | 1 | Protection | Protezione | Protection | Schutz | |



| Labels | | | | | | | |
|--------|-------------|------|-------------|-------------|-------------|--------------|-------|
| POS | CODE | Q.TY | DESCRIPTION | DESCRIZIONE | DESCRIPTION | BESCHREIBUNG | NOTES |
| 1 | 114361553/0 | 1 | Label | Etichetta | Etiquette | Etikett | |
| 5 | 114365612/0 | 1 | Label | Etichetta | Etiquette | Etikett | |
| 8 | 114363700/0 | 1 | Label | Etichetta | Etiquette | Etikett | |
| 10 | 114356699/1 | 2 | Label | Etichetta | Etiquette | Etikett | |
| 13 | 114357913/0 | 1 | Label | Etichetta | Etiquette | Etikett | |
| 17 | 114363414/0 | 1 | Label | Etichetta | Etiquette | Etikett | |
| 18 | 114360715/2 | 1 | Label | Etichetta | Etiquette | Etikett | |

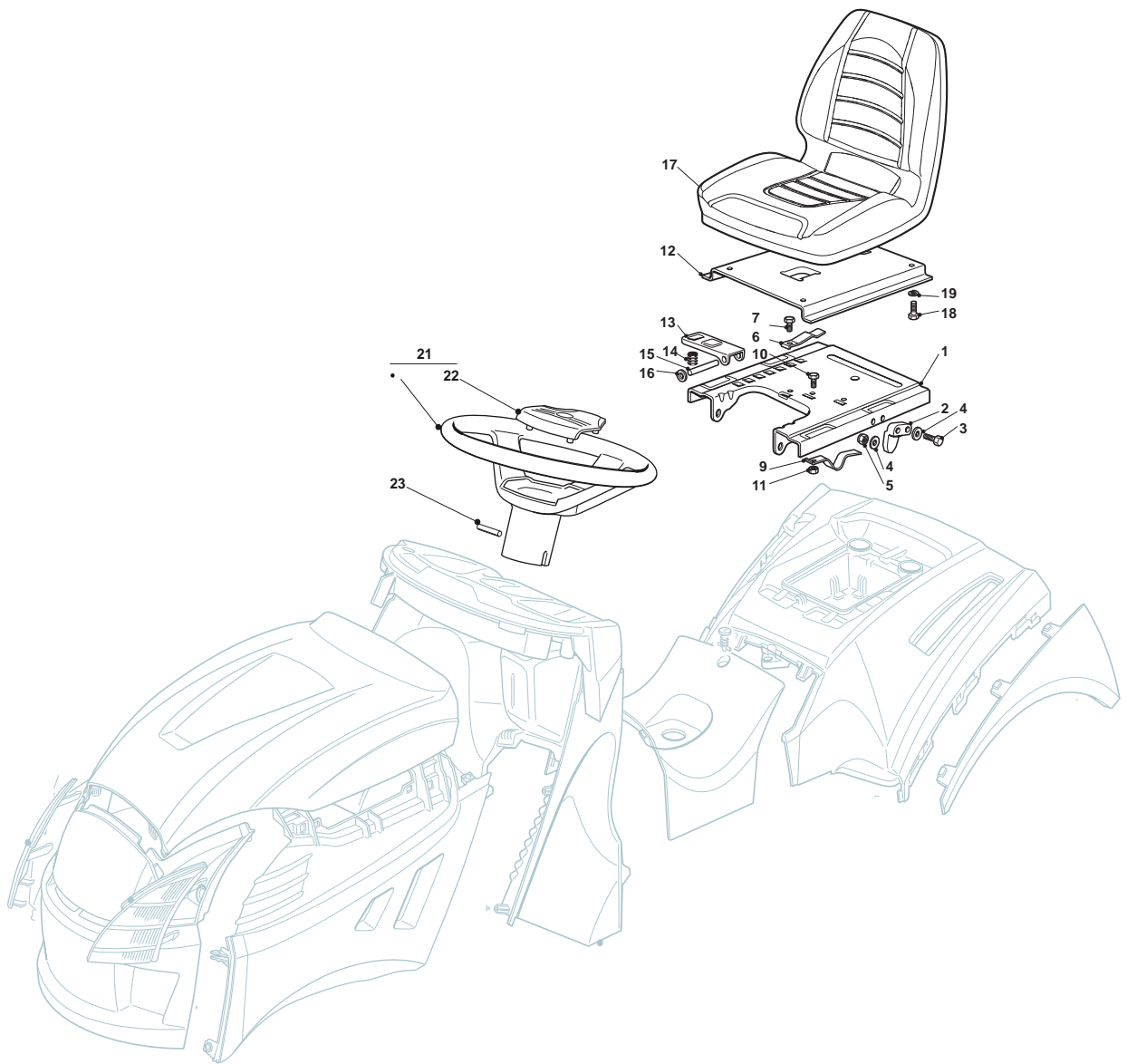


Optionals On Request

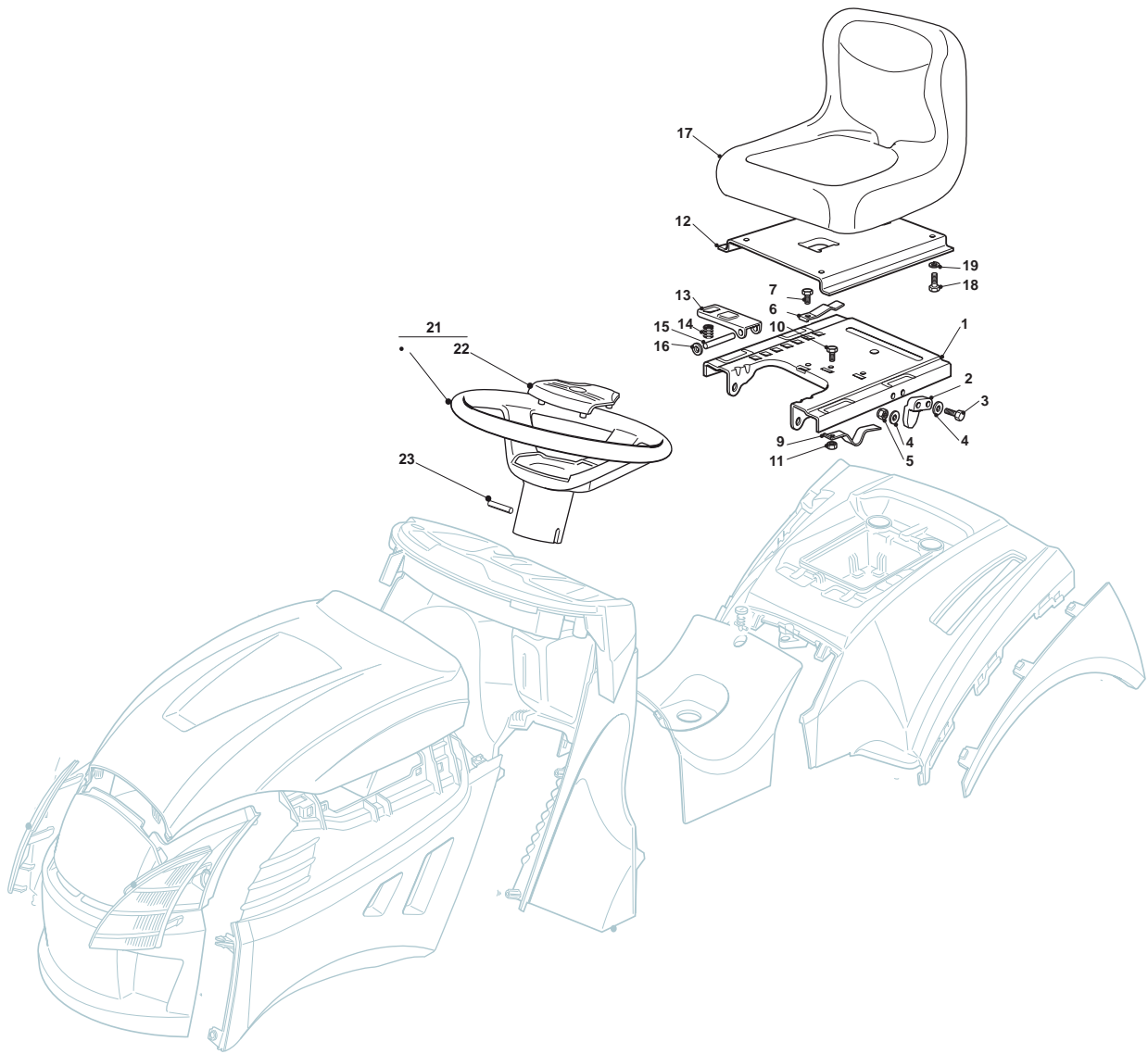
| POS | CODE | Q.TY | DESCRIPTION | DESCRIZIONE | DESCRIPTION | BESCHREIBUNG | NOTES |
|-----|-------------|------|-----------------------------|-------------------------------|--------------------------------|-------------------------------|-------|
| 2 | 382400003/1 | 1 | Ejection Guard | Protezione Uscita | Protection Sortie | Auswurfschutz | |
| 3 | 325869043/0 | 1 | Rear Support | Supporto Posteriore | Support Arriere | Rear Support | |
| 4 | 118566112/0 | 2 | Cap | Puntale | Bouchon | Pfropfen | |
| 5 | 112689515/0 | 2 | Screw | Vite | Vis | Schraube | |
| 6 | 112154510/0 | 2 | Nut | Dado | Ecrou | Mutter | |
| 7 | 125510022/0 | 2 | Pin | Perno | Pivot | Bolzen | |
| 8 | 124487998/0 | 2 | Cotter Pin | Coppiglia | Goupille | Split | |
| 9 | 124487999/0 | 1 | Spring Pin | Coppiglia | Goupille | Split | |
| 31 | 325869079/0 | 2 | Guard | Protezione | Protection | Schutz | |
| 32 | 112793102/0 | 8 | Screw | Vite | Vis | Schraube | |
| 33 | 112155000/0 | 8 | Nut | Dado | Ecrou | Mutter | |
| 41 | 382033113/0 | 1 | Rod | Asta | Tige | Stange | |
| 42 | 382774265/0 | 1 | Bracket Right Hitch Support | Staffa Supporto Traino Dx | Etrier Support Trainage Droit | Buegel Halter Für Rechten Zug | |
| 43 | 382774267/0 | 1 | Bracket Left Hitch Support | Staffa Supporto Traino Sx | Etrier Support Trainage Gauche | Buegelhalter Für Linken Zug | |
| 44 | 112521395/0 | 2 | Washer | Rosetta | Rondelle | Scheibe | |
| 45 | 112620305/0 | 2 | Elastic Pin | Spina Elastica | Goupille Élastique | Elastischer Stift | |
| 46 | 125510118/0 | 2 | Pin | Perno | Pivot | Bolzen | |
| 47 | 124487997/0 | 2 | Cotter Pin | Coppiglia | Goupille | Split | |
| 48 | 125510021/1 | 1 | Hitch Pin | Perno | Pivot | Bolzen | |
| 49 | 124487999/0 | 1 | Spring Pin | Coppiglia | Goupille | Split | |
| 72 | 325140097/0 | 1 | Mulching Deflector | Deflettore Mulching | Mulching Deflecteur | Abweiser | |
| 73 | 325394019/0 | 1 | Handle | Corrimano | Main-Courante | Handlauf | |
| 74 | 125510077/0 | 1 | Pin | Perno | Pivot | Bolzen | |
| 75 | 125430245/0 | 1 | Spring | Molla | Ressort | Feder | |
| 76 | 112735405/0 | 1 | Screw | Vite | Vis | Schraube | |
| 77 | 325280000/1 | 1 | Handgrip | Impugnatura | Poignée | Handgriff | |
| 78 | 125840011/1 | 1 | Elastic Tie-Rod | Tirante In Gomma | Tirant Elastique | Elastische Zugstäbe | |
| 79 | 125253004/0 | 2 | Mulch.Kit Fixing Hook | Gancio Fissaggio Kit Mulching | Crochet Fixage Kit Mulching | MulchingHaken | |



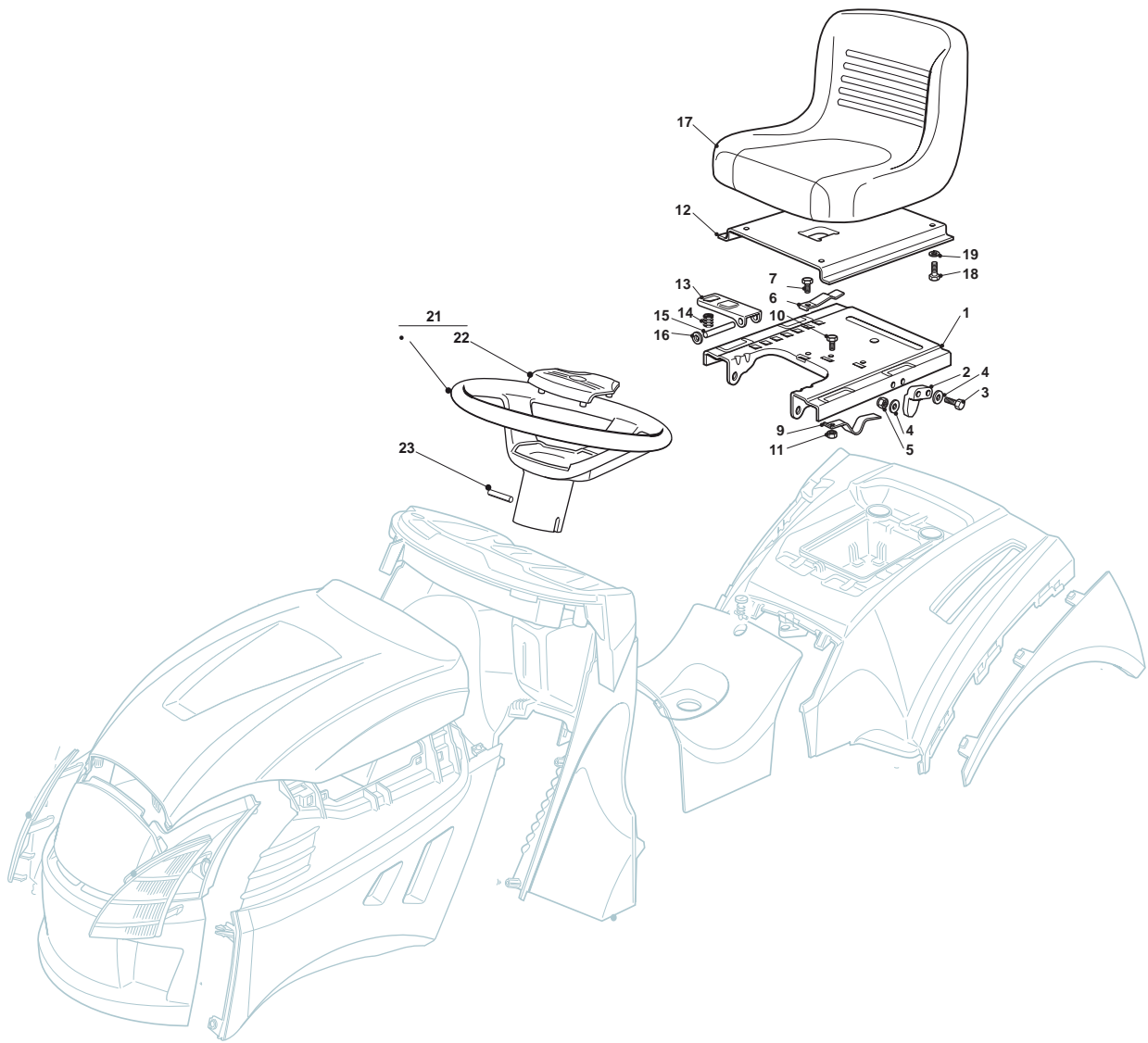
| Seat & Steering Wheel | | | | | | | |
|-----------------------|-------------|------|----------------------|-----------------------|---------------------|------------------------|-------|
| POS | CODE | Q.TY | DESCRIPTION | DESCRIZIONE | DESCRIPTION | BESCHREIBUNG | NOTES |
| 1 | 325785149/2 | 1 | Fixed Seat Support | Supporto Sedile Fisso | Support Siege Fixe | Fest Sitzhalter | |
| 2 | 325060049/0 | 1 | Seat Switch Cam | Camma Azionamento | Came | Nocken | |
| 3 | 112815050/0 | 2 | Screw | Vite | Vis | Schraube | |
| 4 | 112521320/0 | 4 | Washer | Rondella | Rondelle | Scheibe | |
| 5 | 112154330/0 | 2 | Nut | Dado | Ecrou | Nuss | |
| 6 | 125430203/1 | 1 | Spring | Molla | Ressort | Feder | |
| 7 | 112731580/0 | 1 | Screw | Vite | Vis | Schraube | |
| 9 | 125430223/2 | 1 | Spring | Molla | Ressort | Feder | |
| 10 | 112789000/0 | 1 | Screw | Vite | Vis | Schraube | |
| 11 | 112154330/0 | 1 | Low Self-Locking Nut | Dado Autobloccante | Écrou auto-bloquant | Selbstsichernde Mutter | |
| 12 | 325785147/1 | 1 | Seat Support | Supporto Sedile | Support Siege | Seat Support | |
| 13 | 325318109/1 | 1 | Stop Lever | Leva Arresto | Levier D'Arret | Abstellhebel | |
| 14 | 125430202/1 | 1 | Spring | Molla | Ressort | Feder | |
| 15 | 125510000/0 | 1 | Pin | Perno | Pivot | Bolzen | |
| 16 | 112604897/0 | 2 | Elastic Washer | Disco Elastico | Disque Elastique | Federscheibe | |
| 17 | 125722459/0 | 1 | Seat | Sedile | Siege | Sitz | |
| 18 | 112793102/0 | 4 | Screw | Vite | Vis | Schraube | |
| 19 | 112583500/0 | 4 | Grower | Grower | Grower | Federring | |
| 21 | 125961214/1 | 1 | Steering Wheel | Volante | Volant | Lenkrad | |
| 22 | 325580500/0 | 1 | Cap | Tappo | Bouchon | Stopfen | |
| 23 | 112620299/0 | 1 | Elastic Pin | Spina Elastica | Goupille | Stift | |



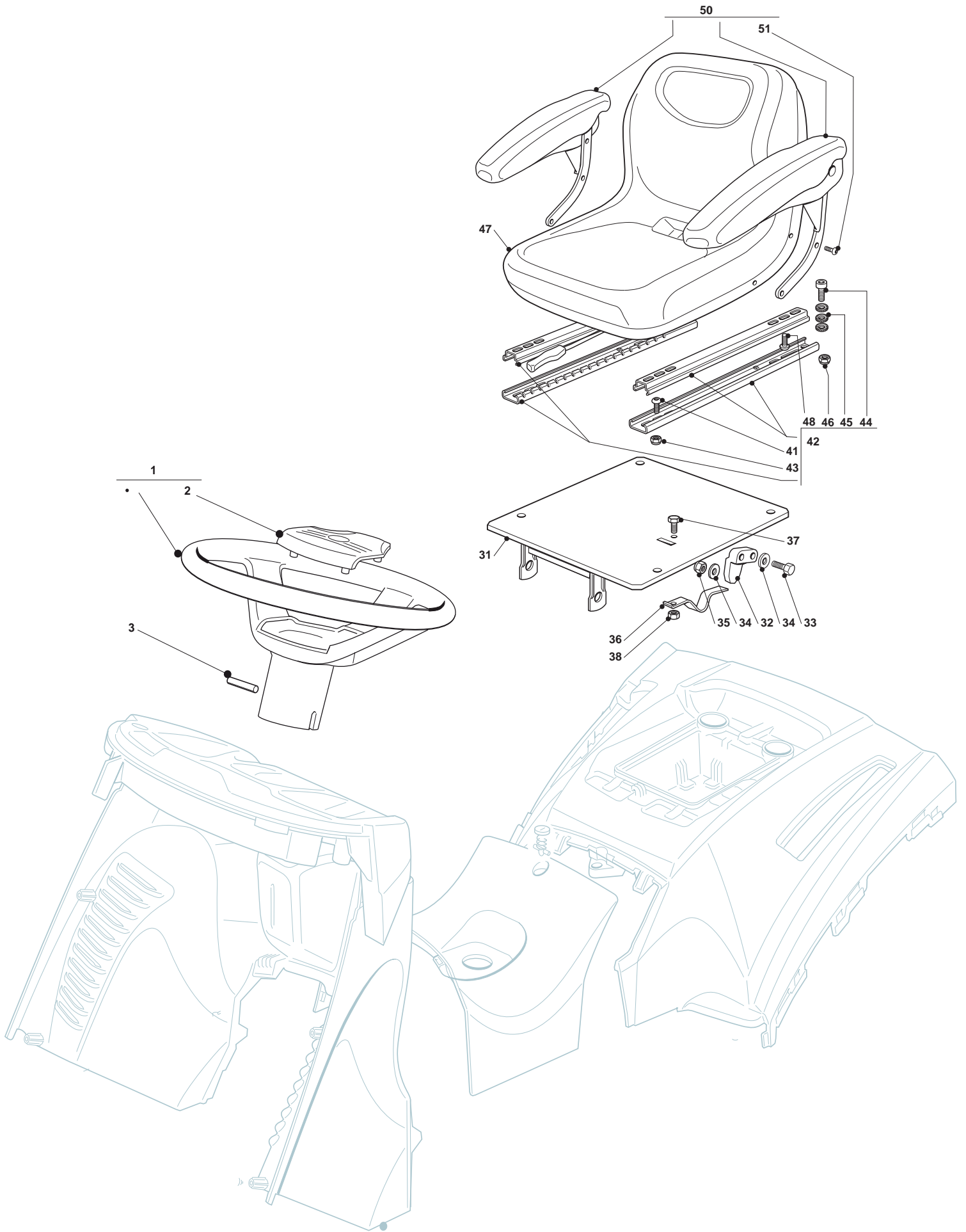
| Seat & Steering Wheel | | | | | | | |
|-----------------------|-------------|------|----------------------|-----------------------|---------------------|------------------------|-------|
| POS | CODE | Q.TY | DESCRIPTION | DESCRIZIONE | DESCRIPTION | BESCHREIBUNG | NOTES |
| 1 | 325785149/2 | 1 | Fixed Seat Support | Supporto Sedile Fisso | Support Siege Fixe | Fest Sitzhalter | |
| 2 | 325060049/0 | 1 | Seat Switch Cam | Camma Azionamento | Came | Nocken | |
| 3 | 112815050/0 | 2 | Screw | Vite | Vis | Schraube | |
| 4 | 112521320/0 | 4 | Washer | Rondella | Rondelle | Scheibe | |
| 5 | 112154330/0 | 2 | Low Self-Locking Nut | Dado Autobloccante | Écrou auto-bloquant | Selbstsichernde Mutter | |
| 6 | 125430203/1 | 1 | Spring | Molla | Ressort | Feder | |
| 7 | 112731580/0 | 1 | Screw | Vite | Vis | Schraube | |
| 9 | 125430223/2 | 1 | Spring | Molla | Ressort | Feder | |
| 10 | 112789000/0 | 1 | Screw | Vite | Vis | Schraube | |
| 11 | 112154330/0 | 1 | Low Self-Locking Nut | Dado Autobloccante | Écrou auto-bloquant | Selbstsichernde Mutter | |
| 12 | 325785147/1 | 1 | Seat Support | Supporto Sedile | Support Siege | Seat Support | |
| 13 | 325318109/1 | 1 | Stop Lever | Leva Arresto | Levier D'Arret | Abstellhebel | |
| 14 | 125430202/1 | 1 | Spring | Molla | Ressort | Feder | |
| 15 | 125510000/0 | 1 | Pin | Perno | Pivot | Bolzen | |
| 16 | 112604897/0 | 2 | Elastic Washer | Disco Elastico | Disque Elastique | Federscheibe | |
| 17 | 125722476/0 | 1 | Seat | Sedile | Siege | Sitz | |
| 18 | 112793102/0 | 4 | Screw | Vite | Vis | Schraube | |
| 19 | 112583500/0 | 4 | Grower | Grower | Grower | Federring | |
| 21 | 125961214/1 | 1 | Steering Wheel | Volante | Volant | Lenkrad | |
| 22 | 325580500/0 | 1 | Cap | Tappo | Bouchon | Stopfen | |
| 23 | 112620299/0 | 1 | Elastic Pin | Spina Elastica | Goupille | Stift | |



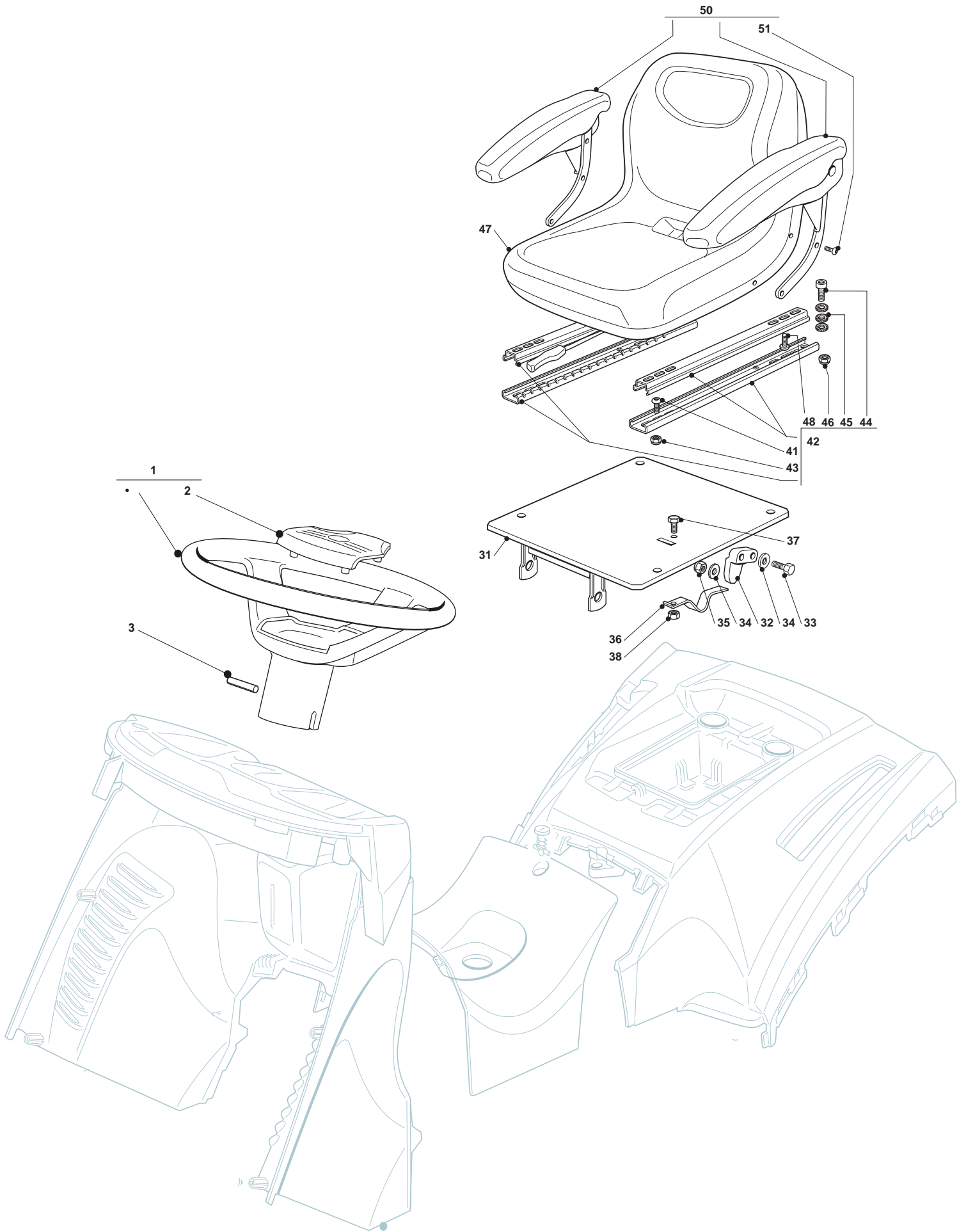
| Seat & Steering Wheel | | | | | | | |
|-----------------------|-------------|------|----------------------|-----------------------|---------------------|------------------------|-------|
| POS | CODE | Q.TY | DESCRIPTION | DESCRIZIONE | DESCRIPTION | BESCHREIBUNG | NOTES |
| 1 | 325785149/2 | 1 | Fixed Seat Support | Supporto Sedile Fisso | Support Siege Fixe | Fest Sitzhalter | |
| 2 | 325060049/0 | 1 | Seat Switch Cam | Camma Azionamento | Came | Nocken | |
| 3 | 112815050/0 | 2 | Screw | Vite | Vis | Schraube | |
| 4 | 112521320/0 | 4 | Washer | Rondella | Rondelle | Scheibe | |
| 5 | 112372550/0 | 2 | Nut | Dado | Ecrou | Nuss | |
| 6 | 125430203/1 | 1 | Spring | Molla | Ressort | Feder | |
| 7 | 112731580/0 | 1 | Screw | Vite | Vis | Schraube | |
| 9 | 125430223/2 | 1 | Spring | Molla | Ressort | Feder | |
| 10 | 112789000/0 | 1 | Screw | Vite | Vis | Schraube | |
| 11 | 112154330/0 | 1 | Low Self-Locking Nut | Dado Autobloccante | Écrou auto-bloquant | Selbstsichernde Mutter | |
| 12 | 325785147/1 | 1 | Seat Support | Supporto Sedile | Support Siege | Sitzhalter | |
| 13 | 325318109/1 | 1 | Stop Lever | Leva Arresto | Levier D'Arret | Abstellhebel | |
| 14 | 125430202/1 | 1 | Spring | Molla | Ressort | Feder | |
| 15 | 125510000/0 | 1 | Pin | Perno | Pivot | Bolzen | |
| 16 | 112604897/0 | 2 | Elastic Washer | Disco Elastico | Disque Elastique | Federscheibe | |
| 17 | 125722457/0 | 1 | Seat | Sedile | Siege | Sitz | |
| 18 | 112793102/0 | 4 | Screw | Vite | Vis | Schraube | |
| 19 | 112583500/0 | 4 | Grower | Grower | Grower | Federring | |
| 21 | 125961210/1 | 1 | Steering Wheel | Volante | Volant | Lenkrad | |
| 22 | 325580501/0 | 1 | Cap | Tappo | Bouchon | Stopfen | |
| 23 | 112620299/0 | 1 | Elastic Pin | Spina Elastica | Goupille | Stift | |



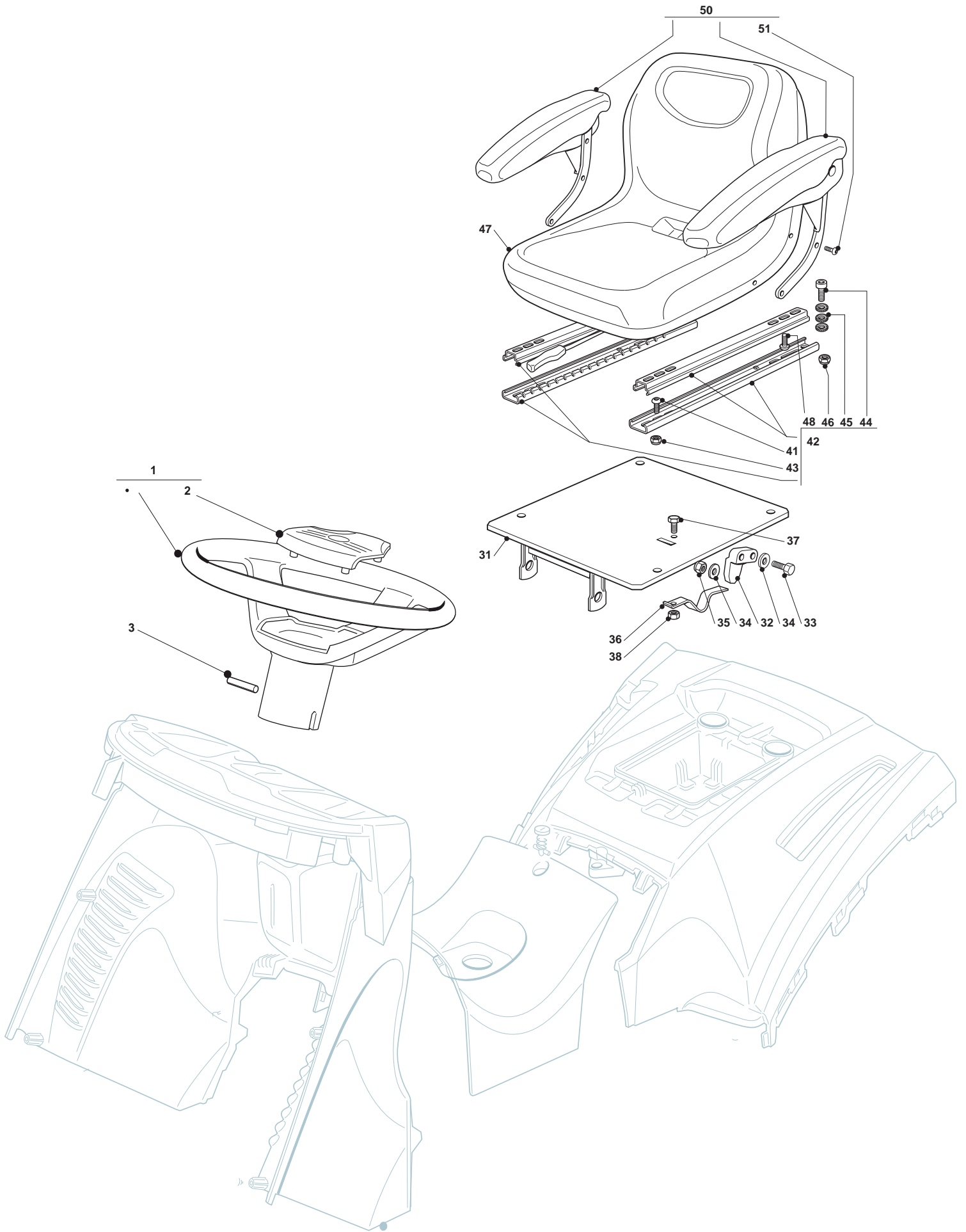
| Seat & Steering Wheel | | | | | | | |
|-----------------------|-------------|------|-----------------------|-----------------------|---------------------|------------------------|-------|
| POS | CODE | Q.TY | DESCRIPTION | DESCRIZIONE | DESCRIPTION | BESCHREIBUNG | NOTES |
| 1 | 325785149/2 | 1 | Fixed Seat Support | Supporto Sedile Fisso | Support Siege Fixe | Fest Sitzhalter | |
| 2 | 325060049/0 | 1 | Seat Switch Cam | Camma Azionamento | Came | Nocken | |
| 3 | 112815050/0 | 2 | Screw | Vite | Vis | Schraube | |
| 4 | 112521320/0 | 4 | Washer | Rondella | Rondelle | Scheibe | |
| 5 | 112372550/0 | 2 | Nut | Dado | Ecrou | Nuss | |
| 6 | 125430203/1 | 1 | Spring | Molla | Ressort | Feder | |
| 7 | 112731580/0 | 1 | Screw | Vite | Vis | Schraube | |
| 9 | 125430223/2 | 1 | Spring | Molla | Ressort | Feder | |
| 10 | 112789000/0 | 1 | Screw | Vite | Vis | Schraube | |
| 11 | 112154330/0 | 1 | Low Self-Locking Nut | Dado Autobloccante | Écrou auto-bloquant | Selbstsichernde Mutter | |
| 12 | 325785147/1 | 1 | Seat Support | Supporto Sedile | Support Siege | Sitzhalter | |
| 13 | 325318109/1 | 1 | Stop Lever | Leva Arresto | Levier D'Arret | Abstellhebel | |
| 14 | 125430202/1 | 1 | Spring | Molla | Ressort | Feder | |
| 15 | 125510000/0 | 1 | Pin | Perno | Pivot | Bolzen | |
| 16 | 112604897/0 | 2 | Elastic Washer | Disco Elastico | Disque Elastique | Federscheibe | |
| 17 | 125722471/0 | 1 | Seat | Sedile | Siege | Sitz | |
| 18 | 112793102/0 | 4 | Screw | Vite | Vis | Schraube | |
| 19 | 112583500/0 | 4 | Grower | Grower | Grower | Federring | |
| 21 | 125961217/1 | 1 | Coated Steering Wheel | Volante | Volant | Lenkrad | |
| 22 | 325580505/0 | 1 | Cap | Tappo | Bouchon | Stopfen | |
| 23 | 112620299/0 | 1 | Elastic Pin | Spina Elastica | Goupille | Stift | |



| Seat & Steering Wheel | | | | | | | |
|-----------------------|-------------|------|----------------------|-----------------------|---------------------|------------------------|-------|
| POS | CODE | Q.TY | DESCRIPTION | DESCRIZIONE | DESCRIPTION | BESCHREIBUNG | NOTES |
| 1 | 325785149/2 | 1 | Fixed Seat Support | Supporto Sedile Fisso | Support Siege Fixe | Fest Sitzhalter | |
| 2 | 325060049/0 | 1 | Cam | Camma | Came | Nocken | |
| 3 | 112815050/0 | 2 | Screw | Vite | Vis | Schraube | |
| 4 | 112521320/0 | 4 | Washer | Rosetta | Rondelle | Scheibe | |
| 5 | 112372550/0 | 2 | Nut | Dado | Ecrou | Mutter | |
| 6 | 125430203/1 | 1 | Spring | Molla | Ressort | Feder | |
| 7 | 112731580/0 | 1 | Screw | Vite | Vis | Schraube | |
| 9 | 125430223/2 | 1 | Spring | Molla | Ressort | Feder | |
| 10 | 112789000/0 | 1 | Screw | Vite | Vis | Schraube | |
| 11 | 112154330/0 | 1 | Low Self-Locking Nut | Dado Autobloccante | Écrou auto-bloquant | Selbstsichernde Mutter | |
| 12 | 325785147/1 | 1 | Seat Support | Supporto Sedile | Support Siege | Sitzhalter | |
| 13 | 325318109/1 | 1 | Stop Lever | Leva Arresto | Levier D'Arret | Abstellhebel | |
| 14 | 125430202/1 | 1 | Spring | Molla | Ressort | Feder | |
| 15 | 125510000/0 | 1 | Pin | Perno | Pivot | Bolzen | |
| 16 | 112604897/0 | 2 | Elastic Washer | Disco Elastico | Disque Elastique | Federscheibe | |
| 17 | 125722471/0 | 1 | Seat | Sedile | Siege | Sitz | |
| 18 | 112793102/0 | 4 | Screw | Vite | Vis | Schraube | |
| 19 | 112583500/0 | 4 | Grower | Grower | Grower | Federring | |
| 21 | 125961217/1 | 1 | Steering Wheel | Volante | Volant | Lenkrad | |
| 22 | 325580505/0 | 1 | Cap | Tappo | Bouchon | Stopfen | |
| 23 | 112620299/0 | 1 | Elastic Pin | Spina Elastica | Goupille Élastique | Elastischer Stift | |



| Seat & Steering Wheel | | | | | | | |
|-----------------------|-------------|------|-----------------------|--------------------------|---------------------|------------------------|-------|
| POS | CODE | Q.TY | DESCRIPTION | DESCRIZIONE | DESCRIPTION | BESCHREIBUNG | NOTES |
| 1 | 125961217/1 | 1 | Coated Steering Wheel | Volante | Steering Wheel Assy | Lenkrad | |
| 2 | 325580505/0 | 1 | Cap | Tappo | Bouchon | Stopfen | |
| 3 | 112620299/0 | 1 | Elastic Pin | Spina Elastica | Goupille | Stift | |
| 31 | 382735809/0 | 1 | Fixed Seat Support | Supporto Sedile Fisso | Support Siege Fixe | Fest Sitzhalter | |
| 32 | 325060049/0 | 1 | Seat Switch Cam | Camma Azionamento | Came | Nocken | |
| 33 | 112815050/0 | 2 | Screw | Vite | Vis | Schraube | |
| 34 | 112521320/0 | 4 | Washer | Rondella | Rondelle | Scheibe | |
| 35 | 112372550/0 | 2 | Nut | Dado | Ecrou | Nuss | |
| 36 | 125430275/0 | 1 | Spring | Molla | Ressort | Feder | |
| 37 | 112789195/0 | 1 | Screw | Vite | Vis | Schraube | |
| 38 | 112154330/0 | 1 | Low Self-Locking Nut | Dado Autobloccante | Écrou auto-bloquant | Selbstsichernde Mutter | |
| 41 | 112760605/0 | 4 | Screw | Vite | Vis | Schraube | |
| 42 | 382180115/0 | 1 | Guide Assy | Assieme Guide Scorrevoli | Guide | Führung | |
| 43 | 112155000/0 | 4 | Nut | Dado | Ecrou | Nuss | |
| 44 | 112760515/0 | 1 | Screw | Vite | Vis | Schraube | |
| 45 | 112540060/0 | 3 | Washer | Rondella | Rondelle | Scheibe | |
| 46 | 112155000/0 | 1 | Nut | Dado | Ecrou | Nuss | |
| 47 | 125722473/0 | 1 | Seat | Sedile | Siege | Sitz | |
| 48 | 112760605/0 | 4 | Screw | Vite | Vis | Schraube | |
| 50 | 382180112/0 | 1 | Arm-Rest Assy | Assieme Braccioli | Accoudoir Ens. | Armlehnsysteme | |
| 51 | 112760605/0 | 6 | Screw | Vite | Vis | Schraube | |



| Seat & Steering Wheel | | | | | | | |
|-----------------------|-------------|------|----------------------|--------------------------|---------------------|------------------------|-------|
| POS | CODE | Q.TY | DESCRIPTION | DESCRIZIONE | DESCRIPTION | BESCHREIBUNG | NOTES |
| 1 | 125961210/1 | 1 | Steering Wheel | Volante | Steering Wheel Assy | Lenkrad | |
| 2 | 325580501/0 | 1 | Cap | Tappo | Bouchon | Stopfen | |
| 3 | 112620299/0 | 1 | Elastic Pin | Spina Elastica | Goupille | Stift | |
| 31 | 382735809/0 | 1 | Fixed Seat Support | Supporto Sedile Fisso | Support Siege Fixe | Fest Sitzhalter | |
| 32 | 325060049/0 | 1 | Seat Switch Cam | Camma Azionamento | Came | Nocken | |
| 33 | 112815050/0 | 2 | Screw | Vite | Vis | Schraube | |
| 34 | 112521320/0 | 4 | Washer | Rondella | Rondelle | Scheibe | |
| 35 | 112372550/0 | 2 | Nut | Dado | Ecrou | Nuss | |
| 36 | 125430275/0 | 1 | Spring | Molla | Ressort | Feder | |
| 37 | 112789195/0 | 1 | Screw | Vite | Vis | Schraube | |
| 38 | 112154330/0 | 1 | Low Self-Locking Nut | Dado Autobloccante | Écrou auto-bloquant | Selbstsichernde Mutter | |
| 41 | 112760605/0 | 4 | Screw | Vite | Vis | Schraube | |
| 42 | 382180115/0 | 1 | Guide Assy | Assieme Guide Scorrevoli | Guide | Führung | |
| 43 | 112155000/0 | 4 | Nut | Dado | Ecrou | Nuss | |
| 44 | 112760515/0 | 1 | Screw | Vite | Vis | Schraube | |
| 45 | 112540060/0 | 3 | Washer | Rondella | Rondelle | Scheibe | |
| 46 | 112155000/0 | 1 | Nut | Dado | Ecrou | Nuss | |
| 47 | 125722473/0 | 1 | Seat | Sedile | Siege | Sitz | |
| 48 | 112760605/0 | 4 | Screw | Vite | Vis | Schraube | |
| 50 | 382180112/0 | 1 | Arm-Rest Assy | Assieme Braccioli | Accoudoir Ens. | Armlehnsysteme | |
| 51 | 112760605/0 | 6 | Screw | Vite | Vis | Schraube | |