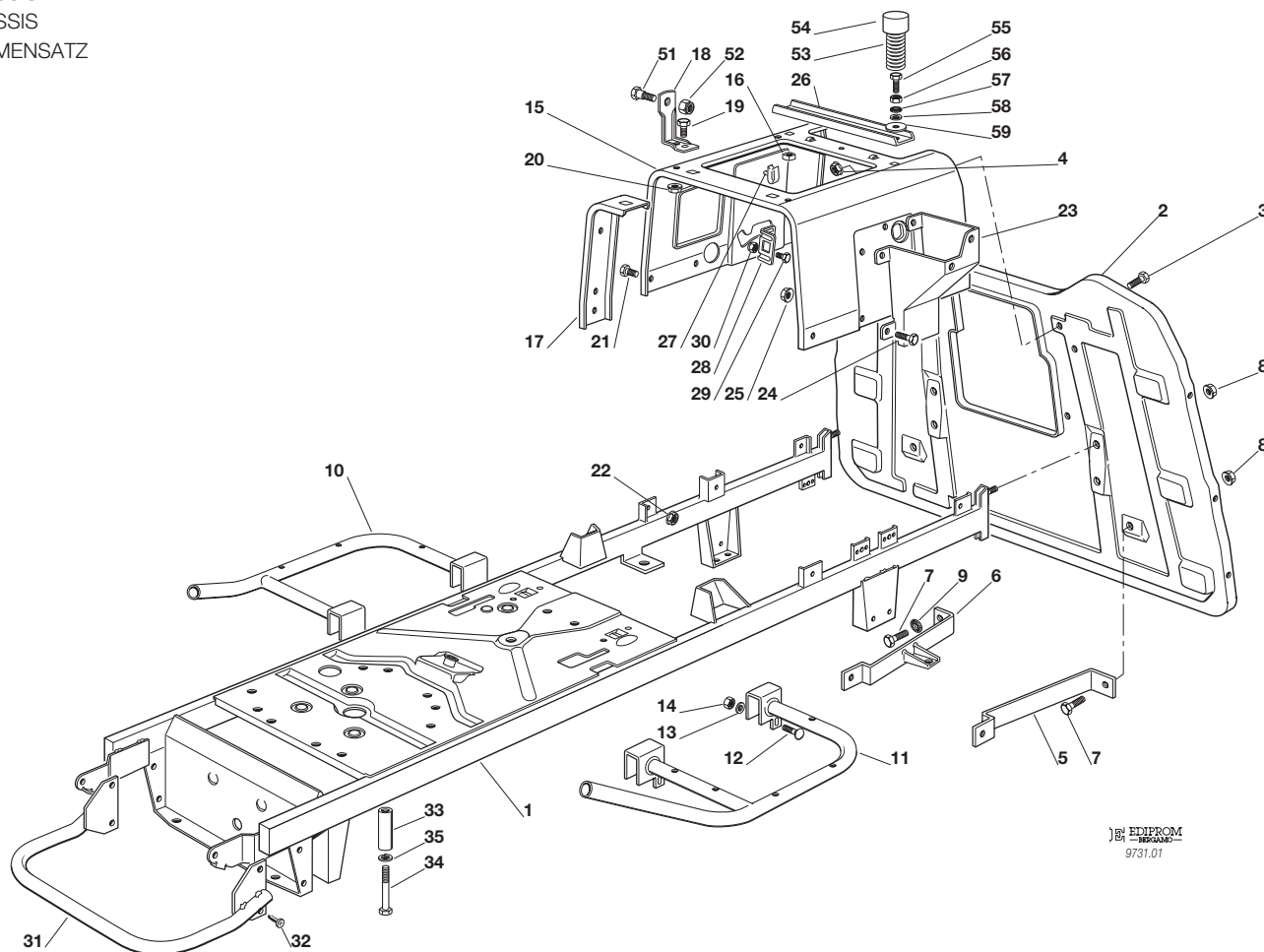


| <b>INDICE</b>   | <b>TABLE OF CONTENT</b> | <b>INDEX</b> | <b>INHALT</b> | Mod. 1998   | <b>000</b>       |
|---|-------------------------|--------------|---------------|-------------|------------------|
|   |                         |              |               | <b>J92</b>  | <b>J92 hydro</b> |
| TELAIO<br>CHASSIS<br>CHASSIS<br>RAHMENSATZ .....  |                         |              |               | <b>001</b>  | <b>001</b>       |
| CORROZZERIA<br>BODY<br>CARROSSERIE<br>KARROSSERIE .....   |                         |              |               | <b>002</b>  | <b>002</b>       |
| GRUPPO STERZO<br>STEERING GROUP<br>GROUPE BARRE DE DIRECTION<br>LENKGETRIEBE .....  |                         |              |               | <b>003</b>  | <b>003</b>       |
| COMANDO FRENO E COMANDO CAMBIO<br>BRAKE AND GEARBOX CONTROLS<br>COMMANDE FREIN ET BOITE DE VITESSE<br>BREMSE UND WECHSEL ANTRIEB .....                            |                         |              |               | <b>004</b>  | -                |
| GRUPPO COMANDO TRASMISSIONE E FRENO<br>DRIVE AND BRAKE CONTROL UNIT<br>GROUPE COMMANDE TRANSMISSION ET FREIN<br>STEUERUNGSGRUPPE FÜR GETRIEBE UND BREMSE .....    |                         |              |               | -           | <b>004.1</b>     |
| GRUPPO MOTORE<br>ENGINE ASS.Y<br>GROUPE MOTEUR<br>MOTORSATZ<br>10,5 - 12,5 HP B&S .....   |                         |              |               | <b>005</b>  | <b>005</b>       |
| 11 - 13 HP TECUMSEH .....   |                         |              |               | <b>005a</b> | <b>005a</b>      |
| 15,5 HP B&S .....   |                         |              |               | -           | <b>005b</b>      |
| GRUPPO TRASMISSIONE<br>TRANSMISSION GROUP<br>GROUPE TRANSMISSION<br>GETRIEBE .....  |                         |              |               | <b>006</b>  | <b>006.1</b>     |
| SOLLEVAMENTO PIATTO<br>CUTTING PLATE LIFTING<br>SOULEVEMENT PLATEAU DE COUPE<br>SCHNEIDWERKZEUG AUFHEBESATZ .....   |                         |              |               | <b>007</b>  | <b>007</b>       |
| PIATTO DI TAGLIO<br>CUTTING PLATE<br>PLATEAU DE COUPE<br>SCHNEIDWERKZEUG<br>1 .....   |                         |              |               | <b>008</b>  | <b>008</b>       |
| 2 .....   |                         |              |               | <b>009</b>  | <b>009</b>       |
| GRUPPO SACCO (1. - PARTE FISSA)<br>GRASSCATCHER GROUP (1. - FIXED PART)<br>GROUPE SAC (1. - PARTIE FIXE)<br>GRASFANGEINRICHTUNG (1. - FESTER TEIL) .....          |                         |              |               | <b>010</b>  | <b>010</b>       |
| GRUPPO SACCO (2. - PARTE MOBILE)<br>GRASSCATCHER GROUP (2. - MOBILE PART)<br>GROUPE SAC (2. - PARTIE MOBILE)<br>GRASFANGEINRICHTUNG (2. - BEWEGLICHER TEIL) ..... |                         |              |               | <b>011</b>  | <b>011</b>       |
| GRUPPO PARTI ELETTRICHE<br>ELECTRICAL PARTS GROUP<br>GROUPE PARTIES ELECTRIQUES<br>ELETRISCHETEILE .....  |                         |              |               | <b>012</b>  | <b>012.1</b>     |
| ACCESSORI A RICHIESTA<br>OPTIONALS ON REQUEST<br>ACCESSOIRES SUR DEMANDE<br>ZUBEHOERE NACH ANFRAGE .....  |                         |              |               | <b>013</b>  | <b>013</b>       |
| SCHEMA ELETTRICO<br>WIRE DIAGRAM<br>SCHEMA ELECTRONIQUE<br>ELEKTRISCHES SCHEMA<br>10,5 - 12,5 HP B&S - 13 HP TECUMSEH .....                                       |                         |              |               | <b>014</b>  | <b>014.1</b>     |
| 15,5 HP B&S .....   |                         |              |               | <b>014a</b> | <b>014a.1</b>    |

TELAIO  
 CHASSIS  
 CHASSIS  
 RAHMENSATZ

Mod. 1998

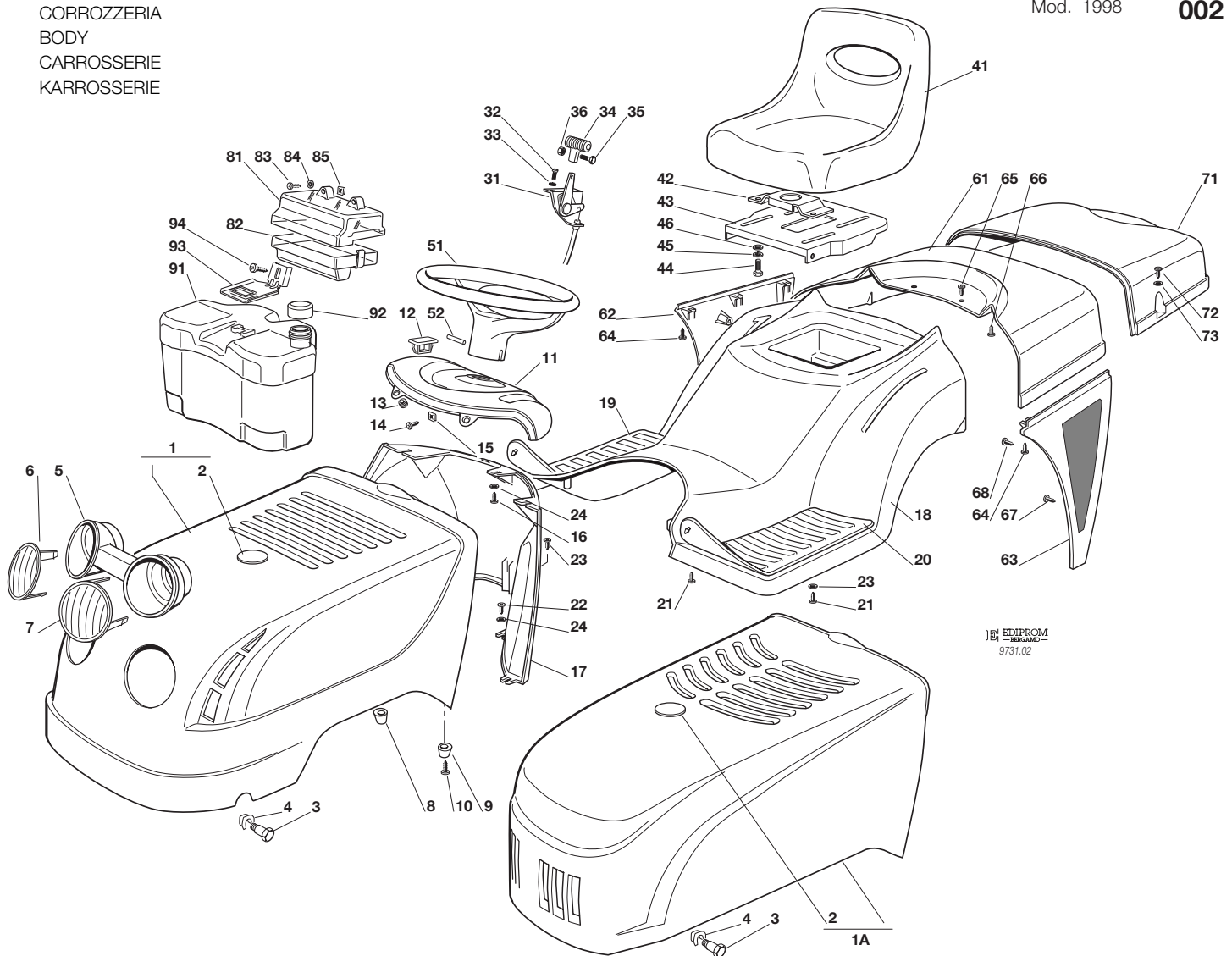
001



| Pos. Nr. | Codice Kodex Code | Descrizione              | Description             | Description                 | Beschreibung               | Q.tà<br>Q.ty<br>Q.té<br>Menge |
|----------|-------------------|--------------------------|-------------------------|-----------------------------|----------------------------|-------------------------------|
| 1        | 82800034/0        | TELAIO                   | CHASSIS                 | CHASSIS                     | RAHMENSATZ                 | 1                             |
| 2        | 82547009/1        | PIASTRA                  | PLATE                   | PLAQUE                      | PLATTE                     | 1                             |
| 3        | 12790780/0        | VITE                     | SCREW                   | VIS                         | SCHRAUBE                   | 4                             |
| 4        | 12292102/0        | DADO                     | NUT                     | ECROU                       | MUTTER                     | 4                             |
| 5        | 25650046/0        | RINFORZO                 | PLATE STIFFENING        | REINFORCEMENT PLAQUE        | PLATTEVERSTAERKUNG         | 1                             |
| 6        | 82650201/0        | RINFORZO DESTRO          | PLATE STIFFENING, RIGHT | REINFORCEMENT PLAQUE, DROIT | RECHTE PLATTE-VERSTAERKUNG | 1                             |
| 7        | 12792610/0        | VITE                     | SCREW                   | VIS                         | SCHRAUBE                   | 4                             |
| 8        | 12293201/0        | DADO                     | NUT                     | ECROU                       | MUTTER                     | 6                             |
| 9        | 12540260/0        | ROSETTA                  | WASHER                  | RONDELLE                    | SCHEIBE                    | 1                             |
| 10       | 82800019/0        | SUPPORTO PEDANA DESTRA   | RIGHT FOOTBOARD SUPPORT | MARCHEPIED DROITE SUPPORT   | RECHTE FUSSBRETTHALTER     | 1                             |
| 11       | 82800021/0        | SUPPORTO PEDANA SINISTRA | LEFT FOOTBOARD SUPPORT  | SUPPORT MARCHEPIED GAUCHE   | LINKE FUSSBRETTHALTER      | 1                             |
| 12       | 12815240/0        | VITE                     | SCREW                   | VIS                         | SCHRAUBE                   | 4                             |
| 13       | 12523040/0        | ROSETTA                  | WASHER                  | RONDELLE                    | SCHEIBE                    | 4                             |
| 14       | 12154510/0        | DADO                     | NUT                     | ECROU                       | MUTTER                     | 4                             |
| 15       | 25785119/0        | SUPPORTO SEDILE          | SEAT SUPPORT            | SUPPORT SIEGE               | SITZHALTER                 | 1                             |
| 16       | 12360420/0        | DADO                     | NUT                     | ECROU                       | MUTTER                     | 2                             |
| 17       | 25650055/0        | RINFORZO                 | PLATE STIFFENING        | REINFORCEMENT PLAQUE        | PLATTEVERSTAERKUNG         | 2                             |
| 18       | 25755008/0        | SQUADRETTA               | BRACKET                 | EQUERRE-SUPPORT             | WINKEL                     | 2                             |
| 19       | 12792610/0        | VITE                     | SCREW                   | VIS                         | SCHRAUBE                   | 2                             |
| 20       | 12293201/0        | DADO                     | NUT                     | ECROU                       | MUTTER                     | 2                             |
| 21       | 12790780/0        | VITE                     | SCREW                   | VIS                         | SCHRAUBE                   | 4                             |
| 22       | 12292102/0        | DADO                     | NUT                     | ECROU                       | MUTTER                     | 4                             |
| 23       | 25785057/0        | SUPPORTO                 | SUPPORT                 | SUPPORT                     | HALTER                     | 1                             |

| Pos. Nr. | Codice Kodex Code | Descrizione             | Description        | Description           | Beschreibung       | Q.tà<br>Q.ty<br>Q.té<br>Menge |
|----------|-------------------|-------------------------|--------------------|-----------------------|--------------------|-------------------------------|
| 24       | 12790780/0        | VITE                    | SCREW              | VIS                   | SCHRAUBE           | 4                             |
| 25       | 12292102/0        | DADO                    | NUT                | ECROU                 | MUTTER             | 4                             |
| 26       | 25650056/0        | RINFORZO                | PLATE STIFFENING   | RENFORCEMENT PLAQUE   | PLATTEVERSTAERKUNG | 1                             |
| 27       | 33320506/0        | FERMACAVO               | FAIR LED           | FIXATION DE CABLE     | KABELBEFESTIGUNG   | 4                             |
| 28       | 25755016/0        | SQUADRETTA              | BRACKET            | EQUERRE-SUPPORT       | WINKEL             | 1                             |
| 29       | 12789000/0        | VITE                    | SCREW              | VIS                   | SCHRAUBE           | 2                             |
| 30       | 12154330/0        | DADO                    | NUT                | ECROU                 | MUTTER             | 2                             |
| 31       | 82869011/0        | PROTEZIONE SILENZIATORE | MUFFLER PROTECTION | PROTECTION SILENCIEUX | AUSPUFFSCHUTZ      | 1                             |
| 32       | 12734995/0        | VITE                    | SCREW              | VIS                   | SCHRAUBE           | 4                             |
| 33       | 25580011/0        | PIOLO GUIDACINGHIA      | BELT GUIDE         | GUIDE DE COURROIRE    | RIEMENFÜHRUNG      | 2                             |
| 34       | 12691700/0        | VITE                    | SCREW              | VIS                   | SCHRAUBE           | 2                             |
| 35       | 12583500/0        | GROWER                  | GROWER             | GROWER                | GROWER             | 2                             |
| 51       | 22524970/1        | PERNO                   | PIN                | PIVOT                 | BOLZEN             | 2                             |
| 52       | 12155010/0        | DADO                    | NUT                | ECROU                 | MUTTER             | 2                             |
| 53       | 25430205/0        | MOLLA                   | SPRING             | RESSORT               | FEDER              | 2                             |
| 54       | 25122000/0        | CUFFIA                  | HOOD               | PROTECTEUR            | SCHUTZKASTEN       | 2                             |
| 55       | 25943001/0        | VITE                    | SCREW              | VIS                   | SCHRAUBE           | 2                             |
| 56       | 12293200/0        | DADO                    | NUT                | ECROU                 | MUTTER             | 2                             |
| 57       | 12583500/0        | GROWER                  | GROWER             | GROWER                | GROWER             | 2                             |
| 58       | 12521350/0        | RONDELLA                | WASHER             | RONDELLE              | SCHEIBE            | 2                             |
| 59       | 12523060/0        | RONDELLA                | WASHER             | RONDELLE              | SCHEIBE            | 2                             |

CORROZZERIA  
 BODY  
 CARROSSERIE  
 KARROSSERIE

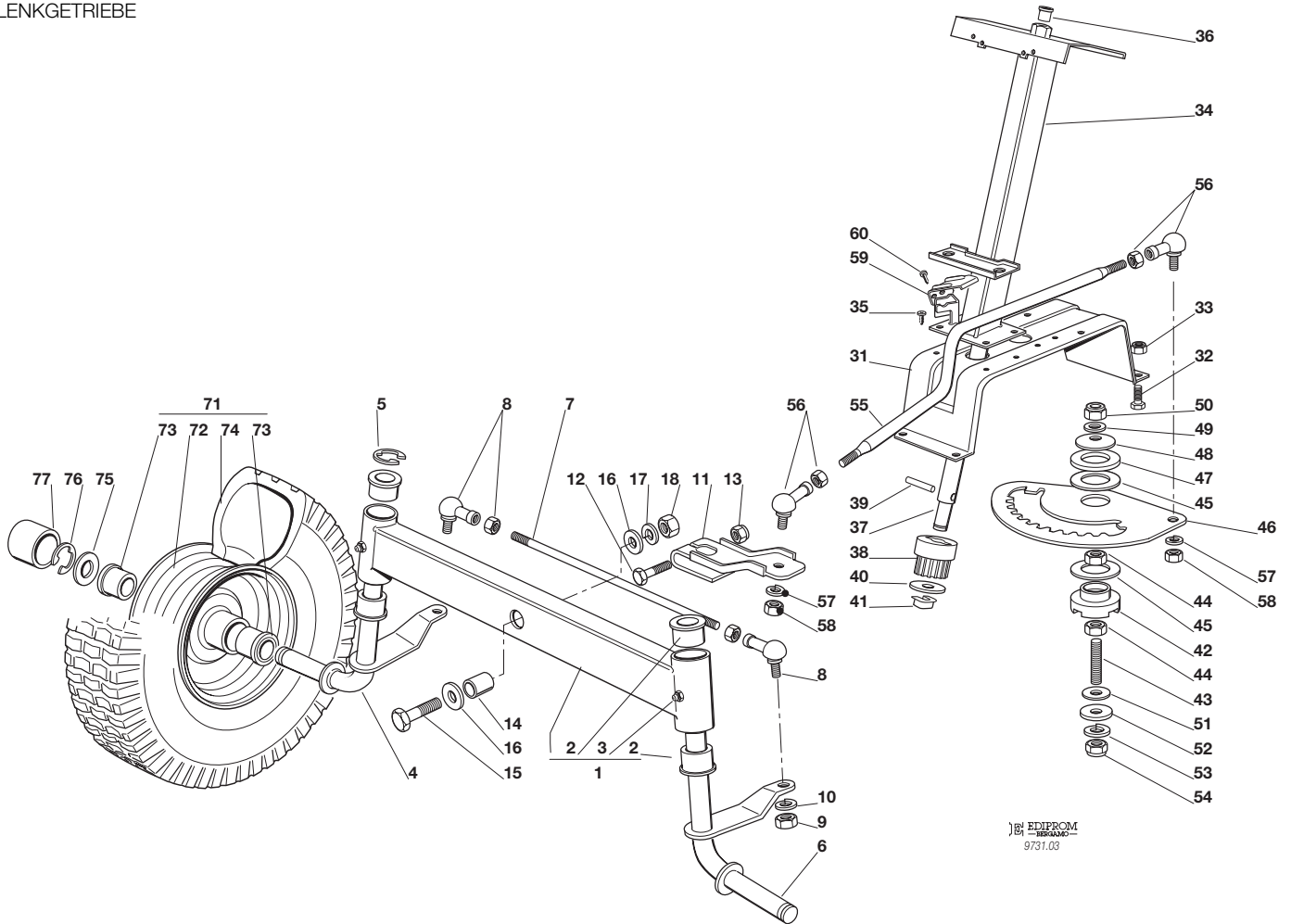


EDIPROM  
 BERGAMO  
 9731.02

| Pos. Nr. | Codice Kodex Code                                    | Descrizione                                  | Description                                   | Description   | Beschreibung                             | Q.tà<br>Q.ty<br>Q.té<br>Menge |
|----------|--|--|---|---|--|-------------------------------|
| 1        | 82076886/0<br>82076887/0<br>82076888/0<br>82076889/0 | COFANO<br>ROSSO<br>VERDE<br>GIALLO<br>BLU    | ENGINE HOOD<br>RED<br>GREEN<br>YELLOW<br>BLUE | CAPOT<br>ROUGE<br>VERT<br>JAUNE<br>BLEU             | HAUBESATZ<br>ROT<br>GRÜN<br>GELB<br>BLAU | 1                             |
| 1A       | 82076884/1<br>82076885/1<br>82076891/0               | COFANO<br>ROSSO<br>VERDE<br>GIALLO           | ENGINE HOOD<br>RED<br>GREEN<br>YELLOW         | CAPOT<br>ROUGE<br>VERT<br>JAUNE                     | HAUBESATZ<br>ROT<br>GRÜN<br>GELB         | 1                             |
| 2        | 25547025/0<br>25547026/0<br>25547027/0<br>25547028/0 | PIASTRINA<br>ROSSA<br>VERDE<br>GIALLA<br>BLU | PLATE<br>RED<br>GREEN<br>YELLOW<br>BLUE       | PLAQUE<br>ROUGE<br>VERT<br>JAUNE<br>BLEU            | PLATTE<br>ROT<br>GRÜN<br>GELB<br>BLAU    | 1                             |
| 3        | 25510045/0   | PERNO  | PIN   | PIVOT   | BOLZEN                                   | 2                             |
| 4        | 12436050/0   | PIASTRINA                                    | PLATE   | PLAQUE  | PLATTE                                   | 2                             |
| 5        | 25485002/0   | PARABOLA FARI                                | LIGHTS PARABOLA                               | PARABOLE  | SCHWEINWERFERPARABEL                     | 1                             |
| 6        | 25410866/0   | MASCHERINA DESTRA                            | RIGHT GRILL                                   | PANNEAU DROITE                                      | RECHTE SCHUTZ                            | 1                             |
| 7        | 25410867/0   | MASCHERINA SINISTRA                          | LEFT GRILL                                    | PANNEAU GAUCHE                                      | LINKE SCHUTZ                             | 1                             |
| 8        | 25580012/0   | PIOLO DESTRO                                 | RIGHT PIN                                     | BONDON DROITE                                       | RECHTE DÜBEL                             | 1                             |
| 9        | 25580013/0   | PIOLO SINISTRO                               | LEFT PIN                                      | BONDON GAUCHE                                       | LINKE DÜBEL                              | 1                             |
| 10       | 12727356/0   | VITE   | SCREW   | VIS   | SCHRAUBE                                 | 2                             |
| 11       | 25120159/0<br>25120160/0<br>25120161/0<br>25120162/0 | CRUSCOTTO<br>ROSSO<br>VERDE<br>GIALLO<br>BLU | DASHBOARD<br>RED<br>GREEN<br>YELLOW<br>BLUE   | TABLEAU COMMANDES<br>ROUGE<br>VERT<br>JAUNE<br>BLEU | KONSOLE<br>ROT<br>GRÜN<br>GELB<br>BLAU   | 1                             |

| Pos. Nr. | Codice Kodex Code | Descrizione                      | Description                 | Description                    | Beschreibung              | Q.tà<br>Q.ty<br>Q.té<br>Menge |
|----------|-------------------|----------------------------------|-----------------------------|--------------------------------|---------------------------|-------------------------------|
| 12       | 25547054/0        | PIASTRINA<br>ROSSO               | PLATE<br>RED                | PLAQUE<br>ROUGE                | PLATTE<br>ROT             | 1                             |
|          | 25547055/0        | VERDE                            | GREEN                       | VERT                           | GRÜN                      |                               |
|          | 25547056/0        | GIALLO                           | YELLOW                      | JAUNE                          | GELB                      |                               |
|          | 25547057/0        | BLU                              | BLUE                        | BLEU                           | BLAU                      |                               |
| 13       | 18564512/0        | PASSACAVO                        | GROMMET                     | PROTECTION                     | SCHUTZ                    | 2                             |
| 14       | 12735110/0        | VITE                             | SCREW                       | VIS                            | SCHRAUBE                  | 2                             |
| 15       | 12437502/0        | PIASTRINA                        | PLATE                       | PLAQUE                         | PLATTE                    | 2                             |
| 16       | 12735402/0        | VITE                             | SCREW                       | VIS                            | SCHRAUBE                  | 3                             |
| 17       | 25785025/0        | SUPPORTO CRUSCOTTO<br>ROSSO      | DASHBOARD SUPPORT<br>RED    | SUPPORT TABLEAU COMM.<br>ROUGE | KONSOLEHALTER<br>ROT      | 1                             |
|          | 25785032/0        | VERDE                            | GREEN                       | VERT                           | GRÜN                      |                               |
|          | 25785033/0        | GIALLO                           | YELLOW                      | JAUNE                          | GELB                      |                               |
|          | 25785034/0        | BLU                              | BLUE                        | BLEU                           | BLAU                      |                               |
| 18       | 25110177/1        | COPERTURA RUOTE<br>ROSSO         | WHEELS COVER<br>RED         | COUVRE-ROUES<br>ROUGE          | RADENKAPPE<br>ROT         | 1                             |
|          | 25110193/1        | VERDE                            | GREEN                       | VERT                           | GRÜN                      |                               |
|          | 25110194/1        | GIALLO                           | YELLOW                      | JAUNE                          | GELB                      |                               |
|          | 25110195/1        | BLU                              | BLUE                        | BLEU                           | BLAU                      |                               |
| 18       | 25110184/0        | COPERTURA RUOTE (hydro)<br>ROSSO | WHEELS COVER (hydro)<br>RED | COUVRE-ROUES (hydro)<br>ROUGE  | RADENKAPPE (hydro)<br>ROT | 1                             |
|          | 25110206/0        | VERDE                            | GREEN                       | VERT                           | GRÜN                      |                               |
|          | 25110205/0        | GIALLO                           | YELLOW                      | JAUNE                          | GELB                      |                               |
|          | 25110207/0        | BLU                              | BLUE                        | BLEU                           | BLAU                      |                               |
| 19       | 25110264/1        | COPRIPEDANA DESTRA               | RIGHT FOOTBOARDCOVER        | COUVRE MARCHEPIED DRO.         | RECHTE FUSSBRETTDECKEL    | 1                             |
| 20       | 25110263/1        | COPRIPEDANA SINISTRA             | LEFT FOOTBOARD COVER        | COUVRE MARCHEPIED GAU.         | LINKE FUSSBRETTDECKEL     | 1                             |
| 21       | 12735410/0        | VITE                             | SCREW                       | VIS                            | SCHRAUBE                  | 6                             |
| 22       | 12735402/0        | VITE                             | SCREW                       | VIS                            | SCHRAUBE                  | 4                             |
| 23       | 12728680/0        | VITE                             | SCREW                       | VIS                            | SCHRAUBE                  | 1                             |
| 24       | 12523040/0        | ROSETTA                          | WASHER                      | RONDELLE                       | SCHEIBE                   | 9                             |
| 31       | 82000207/0        | ACCELERATORE                     | ACCELERATOR                 | ACCELERATEUR                   | GAS ZUG                   | 1                             |
| 32       | 12788512/0        | VITE                             | SCREW                       | VIS                            | SCHRAUBE                  | 2                             |
| 33       | 12581200/0        | GROWER                           | GROWER                      | GROWER                         | GROWER                    | 2                             |
| 34       | 25394501/0        | MANOPOLINA                       | HANDLE                      | POIGNE                         | GRIFF                     | 1                             |
| 35       | 12726388/0        | VITE                             | SCREW                       | VIS                            | SCHRAUBE                  | 1                             |
| 36       | 12290800/0        | DADO                             | NUT                         | ECROU                          | MUTTER                    | 1                             |
| 41       | 25722453/1        | SEDILE                           | SEAT                        | SIEGE                          | SITZ                      | 1                             |
| 42       | 25785114/0        | SUPPORTO                         | SUPPORT                     | SUPPORT                        | HALTER                    | 1                             |
| 43       | 25547033/0        | PIASTRA                          | PLATE                       | PLAQUE                         | PLATTE                    | 1                             |
| 44       | 12793101/0        | VITE                             | SCREW                       | VIS                            | SCHRAUBE                  | 4                             |
| 45       | 12583500/0        | GROWER                           | GROWER                      | GROWER                         | GROWER                    | 4                             |
| 46       | 12523060/0        | RONDELLA                         | WASHER                      | RONDELLE                       | SCHEIBE                   | 4                             |
| 51       | 25961201/0        | VOLANTE                          | STEERING WHEEL              | VOLANT                         | LENKRAD                   | 1                             |
| 52       | 12620299/0        | SPINA                            | PIN                         | GOUPILLE                       | STIFT                     | 1                             |
| 61       | 25110179/0        | COPERTURA<br>ROSSO               | COVER<br>RED                | COUVRE<br>ROUGE                | KAPPE<br>ROT              | 1                             |
|          | 25110199/0        | VERDE                            | GREEN                       | VERT                           | GRÜN                      |                               |
|          | 25110200/0        | GIALLO                           | YELLOW                      | JAUNE                          | GELB                      |                               |
|          | 25110201/0        | BLU                              | BLUE                        | BLEU                           | BLAU                      |                               |
| 62       | 25600015/0        | PROTEZIONE DESTRA<br>ROSSO       | RIGHT GUARD<br>RED          | PROTECTION DROITE<br>ROUGE     | RECHTE SCHUTZE<br>ROT     | 1                             |
|          | 25600024/0        | VERDE                            | GREEN                       | VERT                           | GRÜN                      |                               |
|          | 25600026/0        | GIALLO                           | YELLOW                      | JAUNE                          | GELB                      |                               |
|          | 25600028/0        | BLU                              | BLUE                        | BLEU                           | BLAU                      |                               |
| 63       | 25600016/0        | PROTEZIONE SINISTRA<br>ROSSO     | LEFT GUARD<br>RED           | PROTECTION GAUCHE<br>ROUGE     | LINKE SCHUTZE<br>ROT      | 1                             |
|          | 25600025/0        | VERDE                            | GREEN                       | VERT                           | GRÜN                      |                               |
|          | 25600027/0        | GIALLO                           | YELLOW                      | JAUNE                          | GELB                      |                               |
|          | 25600029/0        | BLU                              | BLUE                        | BLEU                           | BLAU                      |                               |
| 64       | 12735402/0        | VITE                             | SCREW                       | VIS                            | SCHRAUBE                  | 6                             |
| 65       | 12734995/0        | VITE                             | SCREW                       | VIS                            | SCHRAUBE                  | 2                             |
| 66       | 12735402/0        | VITE                             | SCREW                       | VIS                            | SCHRAUBE                  | 2                             |
| 67       | 12735402/0        | VITE                             | SCREW                       | VIS                            | SCHRAUBE                  | 3                             |
| 68       | 12735402/0        | VITE                             | SCREW                       | VIS                            | SCHRAUBE                  | 4                             |
| 71       | 25110178/1        | COPERTURA SACCO<br>ROSSO         | GRASS-CATCHER COVER<br>RED  | COUVRE-BAC<br>ROUGE            | SACKKAPPE<br>ROT          | 1                             |
|          | 25110196/1        | VERDE                            | GREEN                       | VERT                           | GRÜN                      |                               |
|          | 25110197/1        | GIALLO                           | YELLOW                      | JAUNE                          | GELB                      |                               |
|          | 25110198/1        | BLU                              | BLUE                        | BLEU                           | BLAU                      |                               |
| 72       | 12729601/0        | VITE                             | SCREW                       | VIS                            | SCHRAUBE                  | 4                             |
| 73       | 12521331/0        | RONDELLA                         | WASHER                      | RONDELLE                       | SCHEIBE                   | 4                             |
| 81       | 25600020/0        | PROTEZIONE SUPERIORE             | UPPER GUARD                 | PROTECTION SUPERIEUR           | OBERSCHUTZ                | 1                             |
| 82       | 25600021/0        | PROTEZIONE INFERIORE             | LOWER GUARD                 | PROTECTION INFERIEUR           | UNTERSCHUTZ               | 1                             |
| 83       | 12728460/0        | VITE                             | SCREW                       | VIS                            | SCHRAUBE                  | 2                             |
| 84       | 12521320/0        | ROSETTA                          | WASHER                      | RONDELLE                       | SCHEIBE                   | 2                             |
| 85       | 12437502/0        | PIASTRINA                        | PLATE                       | PLAQUE                         | PLATTE                    | 2                             |
| 91       | 25735116/0        | SERBATOIO                        | TANK                        | RESERVOIR                      | TANK                      | 1                             |
| 92       | 25795000/0        | TAPPO                            | CAP                         | BOUCHON                        | TANKVERSCHLUSS            | 1                             |
| 93       | 25774258/0        | SUPPORTO                         | SUPPORT                     | SUPPORT                        | HALTER                    | 1                             |
| 94       | 12735110/0        | VITE                             | SCREW                       | VIS                            | SCHRAUBE                  | 1                             |

GRUPPO STERZO  
 STEERING GROUP  
 GROUPE BARRE DE DIRECTION  
 LENKGETRIEBE

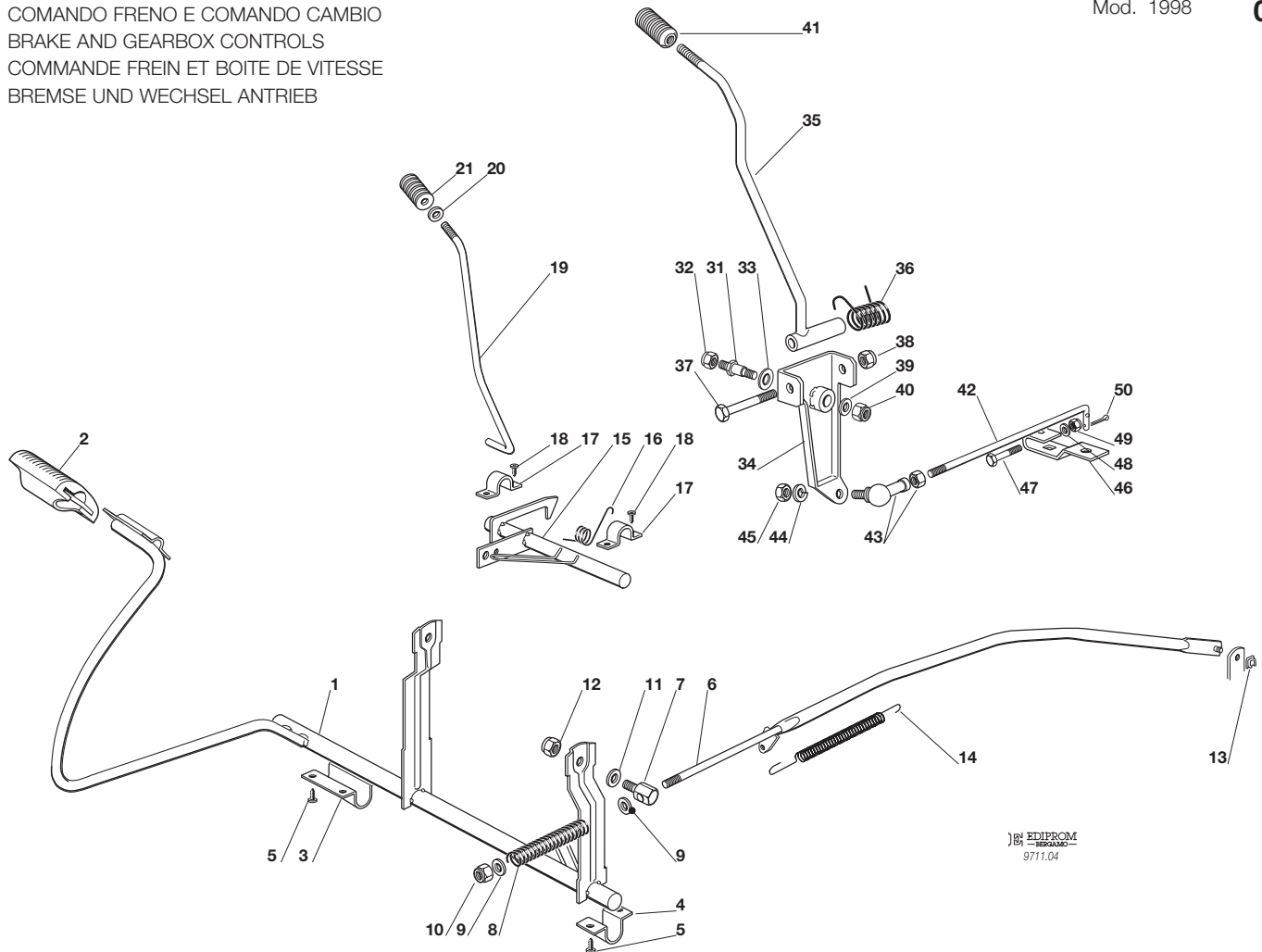


| Pos. Nr. | Codice Kodex Code | Descrizione                                    | Description                        | Description                        | Beschreibung                        | Q.tà<br>Q.ty<br>Q.té<br>Menge |
|----------|-------------------|--|------------------------------------|------------------------------------|-------------------------------------|-------------------------------|
| 1        | 82034008/0        | BILANCIERE COMPLETO DI BOCCOLA ED INGRASSATORE | EQUALIZER WITH BUSH AND LUBRICATOR | BALANCIER AVEC DOULIE ET GRAISSEUR | KIPPHEBEL MIT BÜCHSE UND FETTBÜCHSE | 1                             |
| 2        | 25034002/0        | BOCCOLA  | BUSH                               | DOUILLE                            | BÜCHSE                              | 4                             |
| 3        | 12379511/0        | INGRASSATORE                                   | GREASE DISPENSER                   | GRAISSEUR                          | FETTBÜCHSE                          | 2                             |
| 4        | 82230355/0        | FUSELLO DESTRO                                 | RIGHT STUB AXLE                    | FUSEAU DROITE                      | RECHTER ACHSSCHENKEL                | 1                             |
| 5        | 12001000/0        | ANELLO ELASTICO                                | SNAP RING                          | ANNEAU RESSORT                     | SPRENGRING                          | 1                             |
| 6        | 82230357/0        | FUSELLO SINISTRO                               | LEFT STUB AXLE                     | FUSEAU GAUCHE                      | LINKER ACHSSCHENKEL                 | 1                             |
| 7        | 25840006/0        | TIRANTE COLLEG. FUSELLI                        | TIE ROD                            | TIRANT                             | SPANNSTANGE                         | 1                             |
| 8        | 22746600/0        | SNODO  | JOINT                              | JOINT                              | GELENK                              | 2                             |
| 9        | 12295200/0        | DADO   | NUT                                | ECROU                              | MUTTER                              | 2                             |
| 10       | 12585100/0        | GROWER   | GROWER                             | GROWER                             | GROWER                              | 2                             |
| 11       | 25318142/0        | LEVA   | LEVER                              | LEVIER                             | HEBEL                               | 1                             |
| 12       | 12692390/0        | VITE   | SCREW                              | VIS                                | SCHRAUBE                            | 1                             |
| 13       | 12156602/0        | DADO   | NUT                                | ECROU                              | MUTTER                              | 1                             |
| 14       | 25160016/0        | DISTANZIALE                                    | SPACER                             | ENTRETOISE                         | ENTFERNUNGSSTÜCK                    | 1                             |
| 15       | 12692695/0        | VITE   | SCREW                              | VIS                                | SCHRAUBE                            | 1                             |
| 16       | 12523100/0        | RONDELLA                                       | WASHER                             | RONDELLE                           | SCHIEBE                             | 2                             |
| 17       | 12587100/0        | GROWER   | GROWER                             | GROWER                             | GROWER                              | 1                             |
| 18       | 12295300/0        | DADO   | NUT                                | ECROU                              | MUTTER                              | 1                             |

| Pos.<br>Nr. | Codice<br>Kodex<br>Code | Descrizione      | Description      | Description                  | Beschreibung     | Q.tà<br>Q.ty<br>Q.té<br>Menge |
|-------------|-------------------------|------------------|------------------|------------------------------|------------------|-------------------------------|
| 31          | 25785101/0              | SUPPORTO         | SUPPORT          | SUPPORT                      | HALTER           | 1                             |
| 32          | 12792611/0              | VITE             | SCREW            | VIS                          | SCHRAUBE         | 4                             |
| 33          | 12155000/0              | DADO             | NUT              | ECROU                        | MUTTER           | 4                             |
| 34          | 82785101/0              | SUPPORTO         | SUPPORT          | SUPPORT                      | HALTER           | 1                             |
| 35          | 12735120/0              | VITE             | SCREW            | VIS                          | SCHRAUBE         | 4                             |
| 36          | 25038003/0              | BOCCOLA          | BUSH             | DOUILLE                      | BÜCHSE           | 1                             |
| 37          | 25520003/0              | PIANTONE         | STEERING COLUMN  | TUBE DE DIRECTION            | LENKUNGSÄULE     | 1                             |
| 38          | 25570000/0              | PIGNONE          | PINION           | PIGNON                       | RITZEL           | 1                             |
| 39          | 12622650/0              | SPINA            | PIN              | GOUPILLE                     | STIFT            | 1                             |
| 40          | 12521370/0              | RONDELLA         | WASHER           | RONDELLE                     | SCHEIBE          | 1                             |
| 41          | 12436030/0              | PIASTRINA        | PLATE            | PLAQUETTE                    | PLATTECHEN       | 1                             |
| 42          | 25040617/0              | BUSSOLA          | BUSH             | DOUILLE                      | BÜCHSE           | 1                             |
| 43          | 25510043/0              | PRIGIONIERO      | STUB SCREW       | PRISSONIER                   | STIFTSCHLEIBE    | 1                             |
| 44          | 12295200/0              | DADO             | NUT              | ECROU                        | MUTTER           | 2                             |
| 45          | 25670012/0              | RONDELLA         | WASHER           | RONDELLE                     | SCHEIBE          | 2                             |
| 46          | 25735507/0              | SETTORE          | STEERING SHAFT   | ARBRE DIRECTION              | LENKUNGSWELLE    | 1                             |
| 47          | 25670014/0              | RONDELLA         | WASHER           | RONDELLE                     | SCHEIBE          | 1                             |
| 48          | 22160400/0              | DISCO ELASTICO   | ELASTIC WASHER   | DISQUE ELASTIQUE             | FEDERSCHLEIBE    | 1                             |
| 49          | 12521360/0              | ROSETTA          | WASHER           | RONDELLE                     | SCHEIBE          | 1                             |
| 50          | 12156602/0              | DADO             | NUT              | ECROU                        | MUTTER           | 1                             |
| 51          | 22672150/0              | RONDELLA         | WASHER           | RONDELLE                     | SCHEIBE          | 2                             |
| 52          | 12523090/0              | RONDELLA         | WASHER           | RONDELLE                     | SCHEIBE          | 1                             |
| 53          | 12585100/0              | GROWER           | GROWER           | GROWER                       | GROWER           | 1                             |
| 54          | 12295200/0              | DADO             | NUT              | ECROU                        | MUTTER           | 1                             |
| 55          | 25033025/0              | ASTA COM. STERZO | STEERING ROD     | LEVIER BARRE DE<br>DIRECTION | LENKUNGSSTAB     | 1                             |
| 56          | 22746600/0              | SNODO            | JOINT            | JOINT                        | GELENK           | 2                             |
| 57          | 12585100/0              | GROWER           | GROWER           | GROWER                       | GROWER           | 2                             |
| 58          | 12295200/0              | DADO             | NUT              | ECROU                        | MUTTER           | 2                             |
| 59          | 25600036/0              | PROTEZIONE MICRO | MICRO PROTECTION | PROTECTION MICRO             | SCHUTZ           | 1                             |
| 60          | 12727810/0              | VITE             | SCREW            | VIS                          | SCHRAUBE         | 2                             |
| 71          | 82680002/1              | RUOTA ANTERIORE  | FRONT WHEEL      | ROUE AVANT                   | VORDERRAD        | 2                             |
| 72          | 82000590/0              | CERCHIO RUOTA    | RIMM             | BANDAGE ROUE                 | VORDERRAD FELGER | 2                             |
| 73          | 25122200/1              | CUSCINETTO       | BEARING          | ROULEMENT                    | LAGER            | 4                             |
| 74          | 25590000/0              | PNEUMATICO       | SHOE             | PNEU                         | REIFEN           | 2                             |
| 75          | 25670005/1              | RONDELLA         | WASHER           | RONDELLE                     | SCHEIBE          | 2                             |
| 76          | 12001000/0              | ANELLO ELASTICO  | SNAP RING        | ANNEAU RESSORT               | SPRENGRING       | 2                             |
| 77          | 22110230/0              | COPRIMOZZO       | HUB COVER        | COUVRE MOYEU                 | NABEDECKEL       | 2                             |



COMANDO FRENO E COMANDO CAMBIO  
 BRAKE AND GEARBOX CONTROLS  
 COMMANDE FREIN ET BOITE DE VITESSE  
 BREMSE UND WECHSEL ANTRIEB

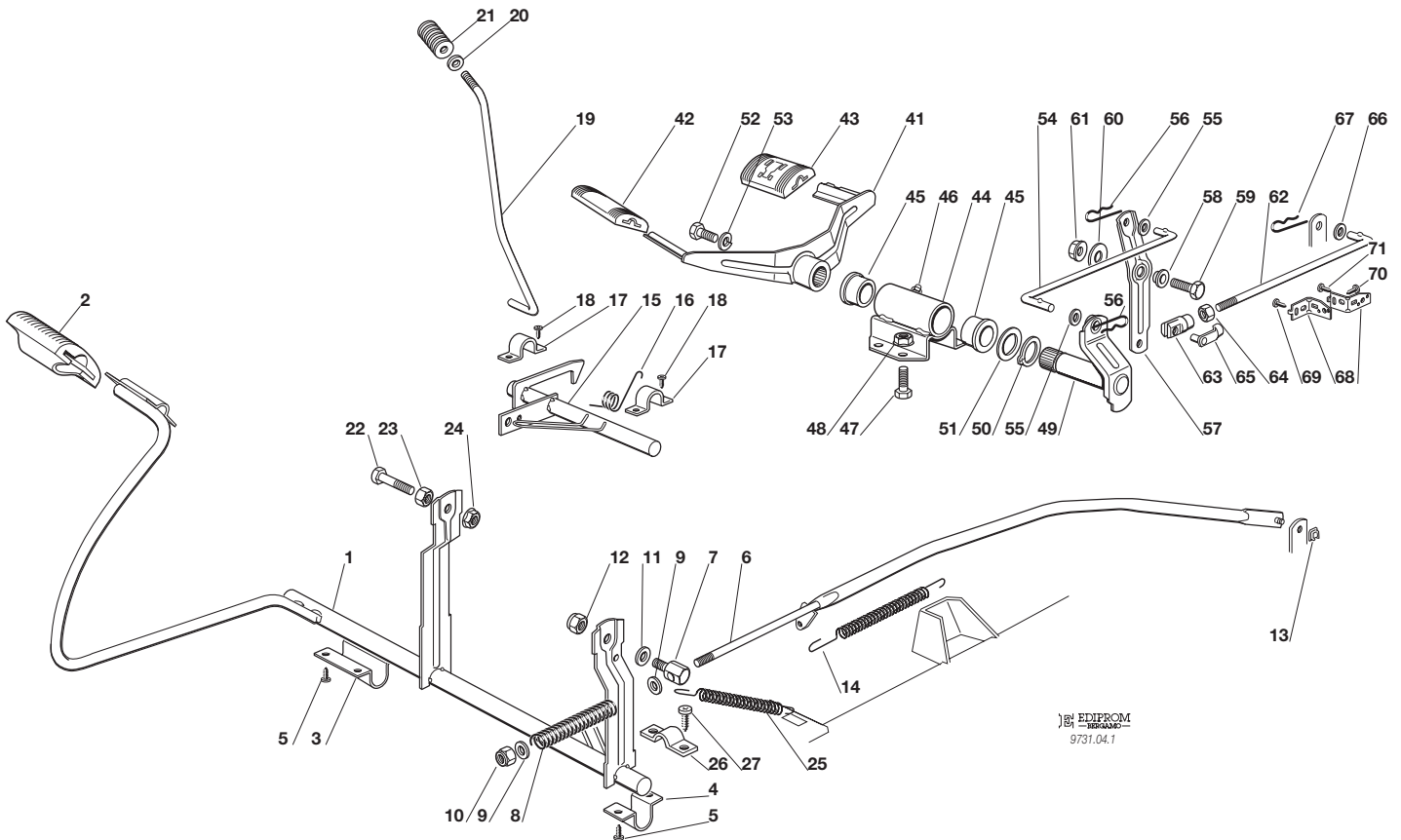


| Pos. Nr. | Codice Kodex Code | Descrizione         | Description | Description   | Beschreibung  | Q.tà<br>Q.ty<br>Q.té<br>Menge |
|----------|-------------------|---------------------|-------------|---------------|---------------|-------------------------------|
| 1        | 82500002/1        | PEDALE              | PEDAL       | PEDAL         | PEDAL         | 1                             |
| 2        | 25110269/0        | COPRISTAFFA         | CLAMP COVER | COUVRE ETRIER | BRIDEDECKEL   | 1                             |
| 3        | 25547039/0        | PIASTRINA DESTRA    | RIGHT PLATE | PLAQUE DROITE | RECHTE PLATTE | 1                             |
| 4        | 25547041/0        | PIASTRINA SINISTRA  | LEFT PLATE  | PLATE GAUCHE  | LINKE PLATTE  | 1                             |
| 5        | 12731601/0        | VITE                | SCREW       | VIS           | SCHRAUBE      | 6                             |
| 6        | 82000459/0        | ASTA                | ROD         | BARRE         | STANGE        | 1                             |
| 7        | 25510033/0        | PERNO               | PIN         | PIVOT         | BOLZEN        | 1                             |
| 8        | 25430212/1        | MOLLA               | SPRING      | RESSORT       | FEDER         | 1                             |
| 9        | 12521330/0        | ROSETTA             | WASHER      | RONDELLE      | SCHEIBE       | 2                             |
| 10       | 12154510/0        | DADO                | NUT         | ECROU         | MUTTER        | 1                             |
| 11       | 25670011/0        | RONDELLA            | WASHER      | RONDELLE      | SCHEIBE       | 2                             |
| 12       | 12155000/0        | DADO                | NUT         | ECROU         | MUTTER        | 1                             |
| 13       | 12436050/0        | PIASTRINA           | PLATE       | PLAQUE        | PLATTE        | 1                             |
| 14       | 22450500/0        | MOLLA               | SPRING      | RESSORT       | FEDER         | 1                             |
| 15       | 82000361/0        | ASSE AZIONAM. MICRO | AXLE        | AXE           | ACHSE         | 1                             |
| 16       | 25430234/0        | MOLLA               | SPRING      | RESSORT       | FEDER         | 1                             |
| 17       | 25547049/0        | PIASTRINA           | PLATE       | PLAQUE        | PLATTE        | 2                             |
| 18       | 12731601/0        | VITE                | SCREW       | VIS           | SCHRAUBE      | 4                             |
| 19       | 25033021/0        | ASTA                | ROD         | BARRE         | STANGE        | 1                             |
| 20       | 12604898/0        | ROSETTA             | WASHER      | RONDELLE      | SCHEIBE       | 1                             |
| 21       | 82394500/0        | MANOPOLA            | KNOB        | POIGNEE       | KNOPF         | 1                             |
| 31       | 25510035/0        | PERNO               | PIN         | PIVOT         | BOLZEN        | 1                             |
| 32       | 12293201/0        | DADO                | NUT         | ECROU         | MUTTER        | 1                             |
| 33       | 22672151/0        | RONDELLA            | WASHER      | RONDELLE      | SCHEIBE       | 1                             |



| Pos. Nr. | Codice Kodex Code | Descrizione | Description | Description | Beschreibung | Q.tà<br>Q.ty<br>Q.té<br>Menge |
|----------|-------------------|-------------|-------------|-------------|--------------|-------------------------------|
| 34       | 82774206/0        | STAFFA      | CLAMP       | ETRIER      | BRIDE        | 1                             |
| 35       | 82318134/0        | LEVA        | GEARSHIFT   | LEVIER      | HEBEL        | 1                             |
| 36       | 25430226/0        | MOLLA       | SPRING      | RESSORT     | FEDER        | 1                             |
| 37       | 12692050/0        | VITE        | SCREW       | VIS         | SCHRAUBE     | 1                             |
| 38       | 12155000/0        | DADO        | NUT         | ECROU       | MUTTER       | 1                             |
| 39       | 12523060/0        | RONDELLA    | WASHER      | RONDELLE    | SCHEIBE      | 1                             |
| 40       | 12155010/0        | DADO        | NUT         | ECROU       | MUTTER       | 1                             |
| 41       | 82394503/0        | MANOPOLA    | KNOB        | POIGNEE     | WECHSEL      | 1                             |
| 42       | 25033012/0        | ASTA        | ROD         | BARRE       | STANGE       | 1                             |
| 43       | 22746601/0        | SNODO       | JOINT       | JOINT       | GELENK       | 1                             |
| 44       | 12583500/0        | GROWER      | GROWER      | GROWER      | GROWER       | 1                             |
| 45       | 12293200/0        | DADO        | NUT         | ECROU       | MUTTER       | 1                             |
| 46       | 25318128/0        | LEVA        | GEARSHIFT   | LEVIER      | HEBEL        | 1                             |
| 47       | 12689500/0        | VITE        | SCREW       | VIS         | SCHRAUBE     | 1                             |
| 48       | 12521330/0        | RONDELLA    | WASHER      | RONDELLE    | SCHEIBE      | 2                             |
| 49       | 12154510/0        | DADO        | NUT         | ECROU       | MUTTER       | 1                             |
| 50       | 12141418/0        | COPPIGLIA   | COTTER PIN  | GOUPILLE    | SPLIT        | 1                             |

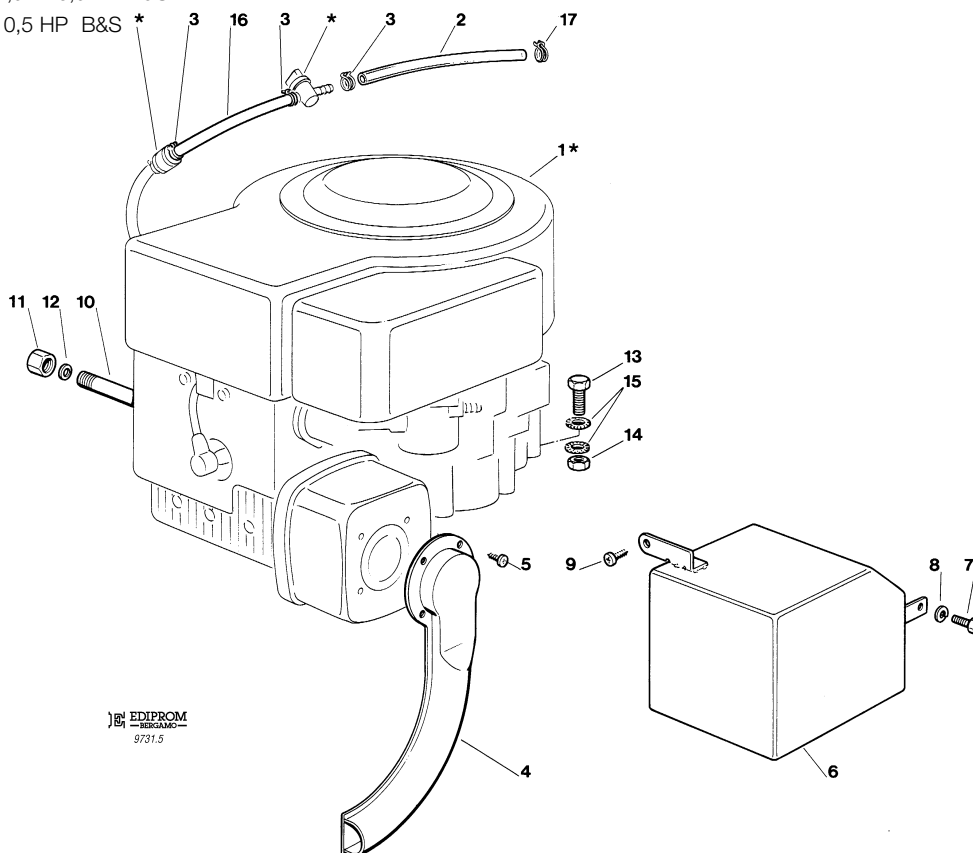
GRUPPO COMANDO TRASMISSIONE E FRENO  
 DRIVE AND BRAKE CONTROL UNIT  
 GROUPE COMMANDE TRANSMISSION ET FREIN  
 STEUERUNGSGRUPPE FÜR GETRIEBE UND BREMSE



| Pos. Nr. | Codice Kodex Code | Descrizione         | Description | Description   | Beschreibung  | Q.tà<br>Q.ty<br>Q.té<br>Menge |
|----------|-------------------|---------------------|-------------|---------------|---------------|-------------------------------|
| 1        | 82500002/1        | PEDALE              | PEDAL       | PEDAL         | PEDAL         | 1                             |
| 2        | 25110267/0        | COPRISTAFFA         | CLAMP COVER | COUVRE ETRIER | BRIDEDECKEL   | 1                             |
| 3        | 25547039/0        | PIASTRINA DESTRA    | RIGHT PLATE | PLAQUE DROITE | RECHTE PLATTE | 1                             |
| 4        | 25547041/0        | PIASTRINA SINISTRA  | LEFT PLATE  | PLATE GAUCHE  | LINKE PLATTE  | 1                             |
| 5        | 12731601/0        | VITE                | SCREW       | VIS           | SCHRAUBE      | 6                             |
| 6        | 82000459/0        | ASTA                | ROD         | BARRE         | STANGE        | 1                             |
| 7        | 25510033/0        | PERNO               | PIN         | PIVOT         | BOLZEN        | 1                             |
| 8        | 25430212/1        | MOLLA               | SPRING      | RESSORT       | FEDER         | 1                             |
| 9        | 12521330/0        | ROSETTA             | WASHER      | RONDELLE      | SCHEIBE       | 2                             |
| 10       | 12154510/0        | DADO                | NUT         | ECROU         | MUTTER        | 1                             |
| 11       | 25670011/0        | RONDELLA            | WASHER      | RONDELLE      | SCHEIBE       | 2                             |
| 12       | 12155000/0        | DADO                | NUT         | ECROU         | MUTTER        | 1                             |
| 13       | 12436050/0        | PIASTRINA           | PLATE       | PLAQUE        | PLATTE        | 1                             |
| 14       | 22450500/0        | MOLLA               | SPRING      | RESSORT       | FEDER         | 1                             |
| 15       | 82000361/0        | ASSE AZIONAM. MICRO | AXLE        | AXE           | ACHSE         | 1                             |
| 16       | 25430234/0        | MOLLA               | SPRING      | RESSORT       | FEDER         | 1                             |
| 17       | 25547049/0        | PIASTRINA           | PLATE       | PLAQUE        | PLATTE        | 2                             |
| 18       | 12731601/0        | VITE                | SCREW       | VIS           | SCHRAUBE      | 4                             |
| 19       | 25033021/0        | ASTA                | ROD         | BARRE         | STANGE        | 1                             |
| 20       | 12604898/0        | ROSETTA             | WASHER      | RONDELLE      | SCHEIBE       | 1                             |
| 21       | 82394500/0        | MANOPOLA            | KNOB        | POIGNEE       | KNOPF         | 1                             |
| 22       | 12691100/0        | VITE                | SCREW       | VIS           | SCHRAUBE      | 1                             |
| 23       | 12293200/0        | DADO                | NUT         | ECROU         | MUTTER        | 1                             |
| 24       | 12293201/0        | DADO                | NUT         | ECROU         | MUTTER        | 1                             |
| 25       | 25430210/0        | MOLLA               | SPRING      | RESSORT       | FEDER         | 1                             |

| Pos. Nr. | Codice Kodex Code | Descrizione            | Description       | Description           | Beschreibung       | Q.tà<br>Q.ty<br>Q.té<br>Menge |
|----------|-------------------|------------------------|-------------------|-----------------------|--------------------|-------------------------------|
| 26       | 22545152/0        | PIASTRINA              | PLATE             | PLAQUE                | PLATTE             | 1                             |
| 27       | 12735104/0        | VITE                   | SCREW             | VIS                   | SCHRAUBE           | 2                             |
| 41       | 82500008/0        | PEDALE AVANZAMENTO     | DRIVE PEDAL       | PEDALE TRANSMISSION   | GETRIEBEPEDAL      | 1                             |
| 42       | 25110265/0        | COPRISTAFFA ANTERIORE  | CLAMP COVER FRONT | COUVRE ETRIER AVANT   | BRIDEDECKEL VORDE  | 1                             |
| 43       | 25110266/0        | COPRISTAFFA POSTERIORE | CLAMP COVER REAR  | COUVRE ETRIER ARRIERE | BRIDEDECKEL HINTER | 1                             |
| 44       | 82785079/0        | SUPPORTO               | SUPPORT           | SUPPORT               | HALTER             | 1                             |
| 45       | 25034002/1        | BRONZINA               | BUSH              | DOUILLE               | BÜCHSE             | 2                             |
| 46       | 12379511/0        | INGRASSATORE           | GREASE DISPENSER  | GRAISSEUR             | FETTBÜCHSE         | 1                             |
| 47       | 12791011/0        | VITE                   | SCREW             | VIS                   | SCHRAUBE           | 2                             |
| 48       | 12292102/0        | DADO                   | NUT               | ECROU                 | MUTTER             | 2                             |
| 49       | 82318153/0        | LEVA                   | GEARSHIFT         | LEVIER                | HEBEL              | 1                             |
| 50       | 12609260/0        | SEEGER                 | SEEGER            | SEEGER                | SEEGER             | 1                             |
| 51       | 22672153/0        | RONDELLA               | WASHER            | RONDELLE              | SCHEIBE            | 1                             |
| 52       | 12792612/0        | VITE                   | SCREW             | VIS                   | SCHRAUBE           | 1                             |
| 53       | 12583501/0        | GROWER                 | GROWER            | GROWER                | GROWER             | 1                             |
| 54       | 25840008/0        | TIRANTE                | ROD               | BARRE                 | STANGE             | 1                             |
| 55       | 12521350/0        | RONDELLA               | WASHER            | RONDELLE              | SCHEIBE            | 2                             |
| 56       | 24487997/0        | COPPIGLIA              | COTTER PIN        | GOUPILLE              | SPLIT              | 2                             |
| 57       | 25318146/0        | LEVA                   | GEARSHIFT         | LEVIER                | HEBEL              | 1                             |
| 58       | 25038002/0        | BOCCOLA                | BUSH              | DOUILLE               | BÜCHSE             | 1                             |
| 59       | 12793101/0        | VITE                   | SCREW             | VIS                   | SCHRAUBE           | 1                             |
| 60       | 22672152/0        | RONDELLA               | WASHER            | RONDELLE              | SCHEIBE            | 1                             |
| 61       | 12293201/0        | DADO                   | NUT               | ECROU                 | MUTTER             | 1                             |
| 62       | 25840009/0        | ASTA                   | ROD               | BARRE                 | STANGE             | 1                             |
| 63       | 18399001/0        | FORCELLA               | FORK              | FOURCHE               | GABEL              | 1                             |
| 64       | 12293200/0        | DADO                   | NUT               | ECROU                 | MUTTER             | 1                             |
| 65       | 18210201/0        | CLIP                   | CLIP              | CLIP                  | SPERRBOLZEN        | 1                             |
| 66       | 12521350/0        | RONDELLA               | WASHER            | RONDELLE              | SCHEIBE            | 1                             |
| 67       | 24487997/0        | COPPIGLIA              | COTTER PIN        | GOUPILLE              | SPLIT              | 1                             |
| 68       | 25774255/0        | STAFFA                 | BRACKET           | ETRIER                | BRIDE              | 2                             |
| 69       | 12735110/0        | VITE                   | SCREW             | VIS                   | SCHRAUBE           | 2                             |
| 70       | 12735110/0        | VITE                   | SCREW             | VIS                   | SCHRAUBE           | 1                             |
| 71       | 12735140/0        | VITE                   | SCREW             | VIS                   | SCHRAUBE           | 2                             |

GRUPPO MOTORE 12,5 - 10,5 HP B&S  
 ENGINE ASS.Y 12,5 - 10,5 HP B&S  
 GROUPE MOTEUR 12,5 - 10,5 HP B&S  
 MOTORSATZ 12,5 - 10,5 HP B&S

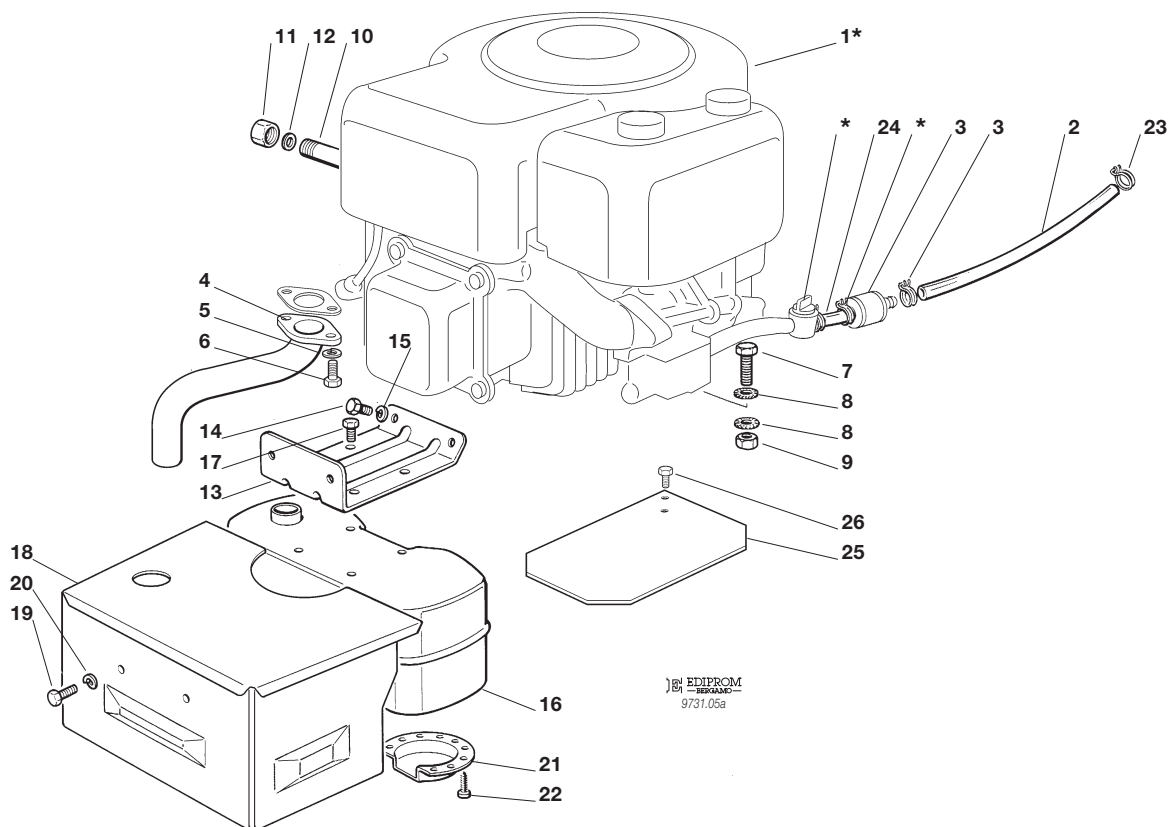


| Pos. Nr. | Codice Kodex Code | Descrizione             | Description             | Description                       | Beschreibung                    | Q.tà<br>Q.ty<br>Q.té<br>Menge |
|----------|-------------------|-------------------------|-------------------------|-----------------------------------|---------------------------------|-------------------------------|
| 1*       | —                 | MOTORE                  | ENGINE                  | MOTEUR                            | MOTOR                           | 1                             |
| 2        | 25869016/0        | TUBO COLLEGAMENTO       | CONNECTING TUBE         | TUBE DE CONNEXION                 | VERBINDUNGSROHR                 | 1                             |
| 3        | 18375051/1        | FASCETTA                | FAIR LED                | FIXATION DE CABLE                 | KABELBEFESTIGUNG                | 3                             |
| 4*       | 82640001/1        | RACCORDO SCARICO        | EXHAUST CONNECTION      | CONNEXION ECHAPPEMENT             | AUSPUFFANSCHLUSS                | 1                             |
| 5        | 12735106/0        | VITE                    | SCREW                   | VIS                               | SCHRAUBE                        | 4                             |
| 6        | 82598001/0        | PROTEZIONE SILENZIATORE | MUFFLER PROTECTION      | PROTECTION SILENCIEUX             | AUSPUFFSCHUTZ                   | 1                             |
| 7        | 12735510/0        | VITE                    | SCREW                   | VIS                               | SCHRAUBE                        | 1                             |
| 8        | 12582100/0        | GROWER                  | GROWER                  | GROWER                            | GROWER                          | 1                             |
| 9        | 12735104/0        | VITE                    | SCREW                   | VIS                               | SCHRAUBE                        | 1                             |
| 10       | 25598050/0        | PROLUNGA SCARICO OLIO   | OIL DISCHARGE EXTENSION | RALLONGE DE DECHAR-<br>MENT HUILE | ÖL ENTLERUNGSVERLAEN-<br>GERUNG | 1                             |
| 11       | 18737849/0        | TAPPO PER PROLUNGA      | OIL CAP                 | BOUCHON HUILE                     | OELVERSCHLUSS                   | 1                             |
| 12       | 18401001/0        | GUARNIZIONE             | OIL SEAL                | GARNITURE                         | DICHTUNG                        | 1                             |
| 13       | 12691100/0        | VITE                    | SCREW                   | VIS                               | SCHRAUBE                        | 4                             |
| 14       | 12293200/0        | DADO                    | NUT                     | ECROU                             | MUTTER                          | 1                             |
|          | 12293201/0        | DADO                    | NUT                     | ECROU                             | MUTTER                          | 3                             |
| 15       | 12540260/0        | RONDELLA                | WASHER                  | RONDELLE                          | SCHEIBE                         | 2                             |
| 16       | 25869006/0        | TUBO COLLEGAMENTO       | CONNECTING TUBE         | TUBE DE CONNEXION                 | VERBINDUNGSROHR                 | 1                             |
| 17       | 18375052/0        | FASCETTA                | FAIR LED                | FIXATION DE CABLE                 | KABELBEFESTIGUNG                | 1                             |

PER LA SOSTITUZIONE DELLE PARTI CONTRASSEGNAE CON «\*» RIVOLGERSI AL SERVIZIO ASSISTENZA DEL COSTRUTTORE DEL MOTORE.  
 TO REPLACE THE PARTS MARKED «\*» SEEK ASSISTANCE FROM THE ENGINE MANUFACTURER'S AFTER SALES SERVICE.  
 POUR LE REMPLACEMENT DES PIÈCES MARQUÉES AVEC «\*» S'ADRESSER AU SERVICE APRÈS VENTES DU CONSTRUCTEUR DU MOTEUR.  
 ZUM AUSTAUSCH DER MIT «\*» GEKENNZEICHNETEN TEILE, WENDEN SIE SICH AN DEN KUNDENDIENST DES HERSTELLERS DES MOTOR.

GRUPPO MOTORE 11 - 13 HP TECUMSEH  
 ENGINE ASS.Y 11 - 13 HP TECUMSEH  
 GROUPE MOTEUR 11 - 13 HP TECUMSEH  
 MOTORSATZ 11 - 13 HP TECUMSEH

Mod. 1998 **005a**

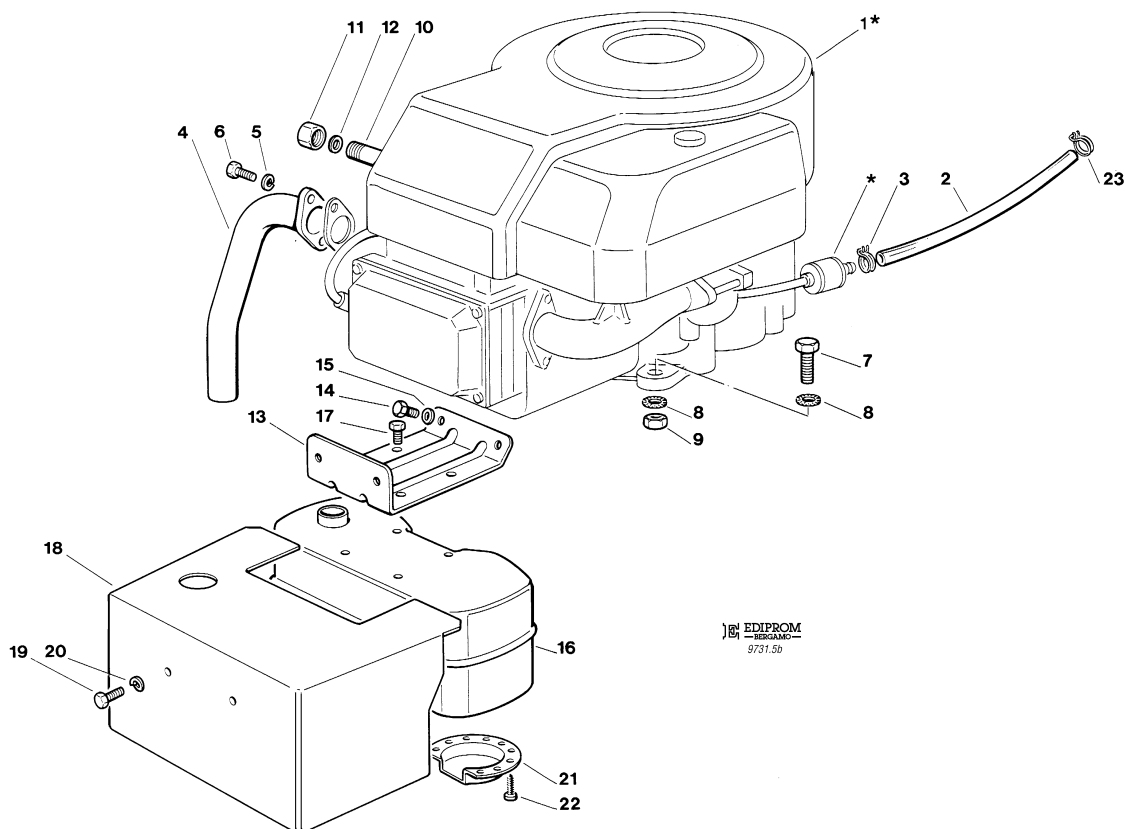


| Pos. Nr. | Codice Kodex Code | Descrizione                            | Description                | Description                              | Beschreibung                    | Q.tà<br>Q.ty<br>Q.té<br>Menge |
|----------|-------------------|--|----------------------------|--|---------------------------------|-------------------------------|
| 1*       | —                 | MOTORE                                 | ENGINE                     | MOTEUR                                   | MOTOR                           | 1                             |
| 2        | 25869027/0        | TUBO COLLEGAMENTO                      | CONNECTING TUBE            | TUBE DE CONNEXION                        | VERBINDUNGSROHR                 | 1                             |
| 3        | 18375051/1        | FASCETTA                               | FAIR LED                   | FIXATION DE CABLE                        | KABELBEFESTIGUNG                | 4                             |
| 4*       | 18738211/0        | TUBO RACCORDO<br>SCARICO               | EXHAUST CONNECTING<br>TUBE | TUBE DE CONNEXION<br>POUR ECHAPPEMENT    | VERBINDUNGSROHR<br>FÜR ABGASUNG | 1                             |
| 5        | 12583500/0        | GROWER                                 | GROWER                     | GROWER                                   | GROWER                          | 2                             |
| 6        | 12735530/0        | VITE                                   | SCREW                      | VIS                                      | SCHRAUBE                        | 2                             |
| 7        | 12691100/0        | VITE                                   | SCREW                      | VIS                                      | SCHRAUBE                        | 4                             |
| 8        | 12540260/0        | RONDELLA                               | WASHER                     | RONDELLE                                 | SCHEIBE                         | 4                             |
| 9        | 12293200/0        | DADO                                   | NUT                        | ECROU                                    | MUTTER                          | 1                             |
| 10       | 25598050/0        | PROLUNGA SCARICO OLIO                  | OIL DISCHARGE              | EXTENSION RALLONGE DE<br>DESCHERG. HUILE | ENTLERUNGSVERLAEN-<br>GERUNG    | 1                             |
| 11       | 18737849/0        | TAPPO PROLUNGA                         | OIL CAP                    | BOUCHON HUILE                            | OELVERSCHLUSS                   | 1                             |
| 12       | 18401001/0        | GUARNIZIONE                            | OIL SEAL                   | GARNITURE                                | DICHTUNG                        | 1                             |
| 13       | 82785093/0        | SUPPORTO SILENZIATORE                  | MUFFLER SUPPORT            | SUPPORT SILENCIEUX                       | AUSPUFFHALTERSATZ               | 1                             |
| 14       | 12793102/0        | VITE                                   | SCREW                      | VIS                                      | SCHRAUBE                        | 2                             |
| 15       | 12540260/0        | RONDELLA                               | WASHER                     | RONDELLE                                 | SCHEIBE                         | 2                             |
| 16       | 18716132/0        | SILENZIATORE COMPLETO<br>DI DEFLETTORE | MUFFLER WITH<br>DEFLECTOR  | SILENCEUX AVEC<br>DEFLECTEUR             | AUSPUFF MIT<br>DEFLEKTOR        | 1                             |
| 17       | 12735107/0        | VITE                                   | SCREW                      | VIS                                      | SCHRAUBE                        | 4                             |
| 18       | 82598017/0        | PROTEZIONE                             | GUARD                      | PROTECTION                               | SCHUTZE                         | 1                             |
| 19       | 12792611/0        | VITE                                   | SCREW                      | VIS                                      | SCHRAUBE                        | 2                             |
| 20       | 12583500/0        | GROWER                                 | GROWER                     | GROWER                                   | GROWER                          | 2                             |

| Pos. Nr. | Codice Kodex Code | Descrizione             | Description        | Description           | Beschreibung     | Q.tà<br>Q.ty<br>Q.té<br>Menge |
|----------|-------------------|-------------------------|--------------------|-----------------------|------------------|-------------------------------|
| 21       | 18310005/0        | DEFLETTORE              | DEFLECTOR          | DEFLECTEUR            | DEFLEKTOR        | 1                             |
| 22       | 12735106/0        | VITE                    | SCREW              | VIS                   | SCHRAUBE         | 4                             |
| 23       | 18375052/0        | FASCETTA                | FAIR LED           | FIXATION DE CABLE     | KABELBEFESTIGUNG | 1                             |
| 24       | 25869006/0        | TUBO COLLEGAMENTO       | CONNECTING TUBE    | TUBE DE CONNEXION     | VERBINDUNGSROHR  | 1                             |
| 25       | 25600031/0        | PROTEZIONE SILENZIATORE | MUFFLER PROTECTION | PROTECTION SILENCIEUX | AUSPUFFSCHUTZ    | 1                             |
| 26       | 12735106/0        | VITE                    | SCREW              | VIS                   | SCHRAUBE         | 2                             |

PER LA SOSTITUZIONE DELLE PARTI CONTRASSEGNALE CON «\*» RIVOLGERSI AL SERVIZIO ASSISTENZA DEL COSTRUTTORE DEL MOTORE.  
 TO REPLACE THE PARTS MARKED «\*» SEEK ASSISTANCE FROM THE ENGINE MANUFACTURER'S AFTER SALES SERVICE.  
 POUR LE REMPLACEMENT DES PIÈCES MARQUÉES AVEC «\*» S'ADRESSER AU SERVICE APRÈS VENTES DU CONSTRUCTEUR DU MOTEUR.  
 ZUM AUSTAUSCH DER MIT «\*» GEKENNZEICHNETEN TEILE, WENDEN SIE SICH AN DEN KUNDENDIENST DES HERSTELLERS DES MOTOR.

GRUPPO MOTORE 15,5 HP B&S  
 ENGINE ASS.Y 15,5 HP B&S  
 GROUPE MOTEUR 15,5 HP B&S  
 MOTORSATZ 15,5 HP B&S



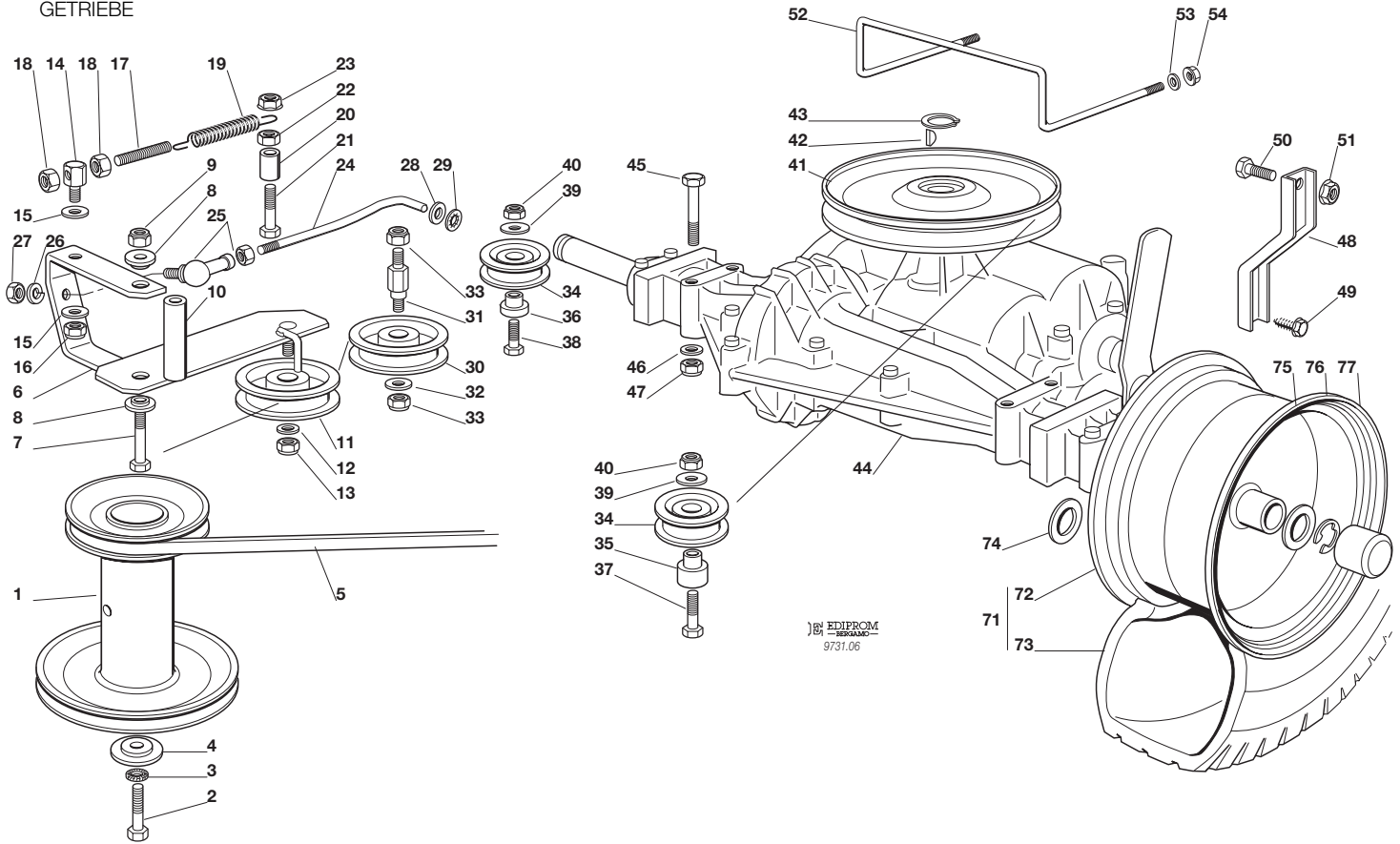
| Pos. Nr. | Codice Kodex Code | Descrizione                         | Description             | Description                           | Beschreibung                 | Q.tà Q.ty Q.té Menge |
|----------|-------------------|-------------------------------------|-------------------------|---------------------------------------|------------------------------|----------------------|
| 1*       | —                 | MOTORE                              | ENGINE                  | MOTEUR                                | MOTOR                        | 1                    |
| 2        | 25869016/0        | TUBO COLLEGAMENTO                   | CONNECTING TUBE         | TUBE DE CONNEXION                     | VERBINDUNGSROHR              | 1                    |
| 3        | 18375051/1        | FASCETTA                            | FAIR LED                | FIXATION DE CABLE                     | KABELBEFESTIGUNG             | 1                    |
| 4*       | 18738206/0        | TUBO RACCORDO SCARICO               | EXHAUST CONNECTING TUBE | TUBE DE CONNEXION POUR ECHAPPEMENT    | VERBINDUNGSROHR FÜR ABGASUNG | 1                    |
| 5        | 12583500/0        | GROWER                              | GROWER                  | GROWER                                | GROWER                       | 2                    |
| 6        | 12735530/0        | VITE                                | SCREW                   | VIS                                   | SCHRAUBE                     | 2                    |
| 7        | 12691100/0        | VITE                                | SCREW                   | VIS                                   | SCHRAUBE                     | 4                    |
| 8        | 12540260/0        | RONDELLA                            | WASHER                  | RONDELLE                              | SCHEIBE                      | 2                    |
| 9        | 12293200/0        | DADO                                | NUT                     | ECROU                                 | MUTTER                       | 1                    |
|          | 12293201/0        | DADO                                | NUT                     | ECROU                                 | MUTTER                       | 3                    |
| 10       | 25598050/0        | PROLUNGA SCARICO OLIO               | OIL DISCHARGE           | EXTENSION RALLONGE DE DESCHERG. HUILE | ENTLERUNGSVERLAENGERUNG      | 1                    |
| 11       | 18737849/0        | TAPPO PROLUNGA                      | OIL CAP                 | BOUCHON HUILE                         | OELVERSCHLUSS                | 1                    |
| 12       | 18401001/0        | GUARNIZIONE                         | OIL SEAL                | GARNITURE                             | DICHTUNG                     | 1                    |
| 13       | 82785093/0        | SUPPORTO SILENZIATORE               | MUFFLER SUPPORT         | SUPPORT SILENCIEUX                    | AUSPUFFHALTERSATZ            | 1                    |
| 14       | 12793102/0        | VITE                                | SCREW                   | VIS                                   | SCHRAUBE                     | 2                    |
| 15       | 12540260/0        | RONDELLA                            | WASHER                  | RONDELLE                              | SCHEIBE                      | 2                    |
| 16       | 18716132/0        | SILENZIATORE COMPLETO DI DEFLETTORE | MUFFLER WITH DEFLECTOR  | SILENCEUX AVEC DEFLECTEUR             | AUSPUFF MIT DEFLEKTOR        | 1                    |
| 17       | 12735107/0        | VITE                                | SCREW                   | VIS                                   | SCHRAUBE                     | 4                    |
| 18       | 82598009/1        | PROTEZIONE                          | GUARD                   | PROTECTION                            | SCHUTZE                      | 1                    |
| 19       | 12792611/0        | VITE                                | SCREW                   | VIS                                   | SCHRAUBE                     | 2                    |



| Pos. Nr. | Codice Kodex Code | Descrizione | Description | Description       | Beschreibung     | Q.tà<br>Q.ty<br>Q.té<br>Menge |
|----------|-------------------|-------------|-------------|-------------------|------------------|-------------------------------|
| 20       | 12583500/0        | GROWER      | GROWER      | GROWER            | GROWER           | 2                             |
| 21       | 18310005/0        | DEFLETTORE  | DEFLECTOR   | DEFLECTEUR        | DEFLEKTOR        | 1                             |
| 22       | 12735106/0        | VITE        | SCREW       | VIS               | SCHRAUBE         | 4                             |
| 23       | 18375052/0        | FASCETTA    | FAIR LED    | FIXATION DE CABLE | KABELBEFESTIGUNG | 1                             |

PER LA SOSTITUZIONE DELLE PARTI CONTRASSEGNAE CON «\*» RIVOLGERSI AL SERVIZIO ASSISTENZA DEL COSTRUTTORE DEL MOTORE.  
 TO REPLACE THE PARTS MARKED «\*» SEEK ASSISTANCE FROM THE ENGINE MANUFACTURER'S AFTER SALES SERVICE.  
 POUR LE REMPLACEMENT DES PIÈCES MARQUÉES AVEC «\*» S'ADRESSER AU SERVICE APRÈS VENTES DU CONSTRUCTEUR DU MOTEUR.  
 ZUM AUSTAUSCH DER MIT «\*» GEKENNZEICHNETEN TEILE, WENDEN SIE SICH AN DEN KUNDENDIENST DES HERSTELLERS DES MOTOR.

GRUPPO TRASMISSIONE  
 TRANSMISSION GROUP  
 GROUPE TRANSMISSION  
 GETRIEBE

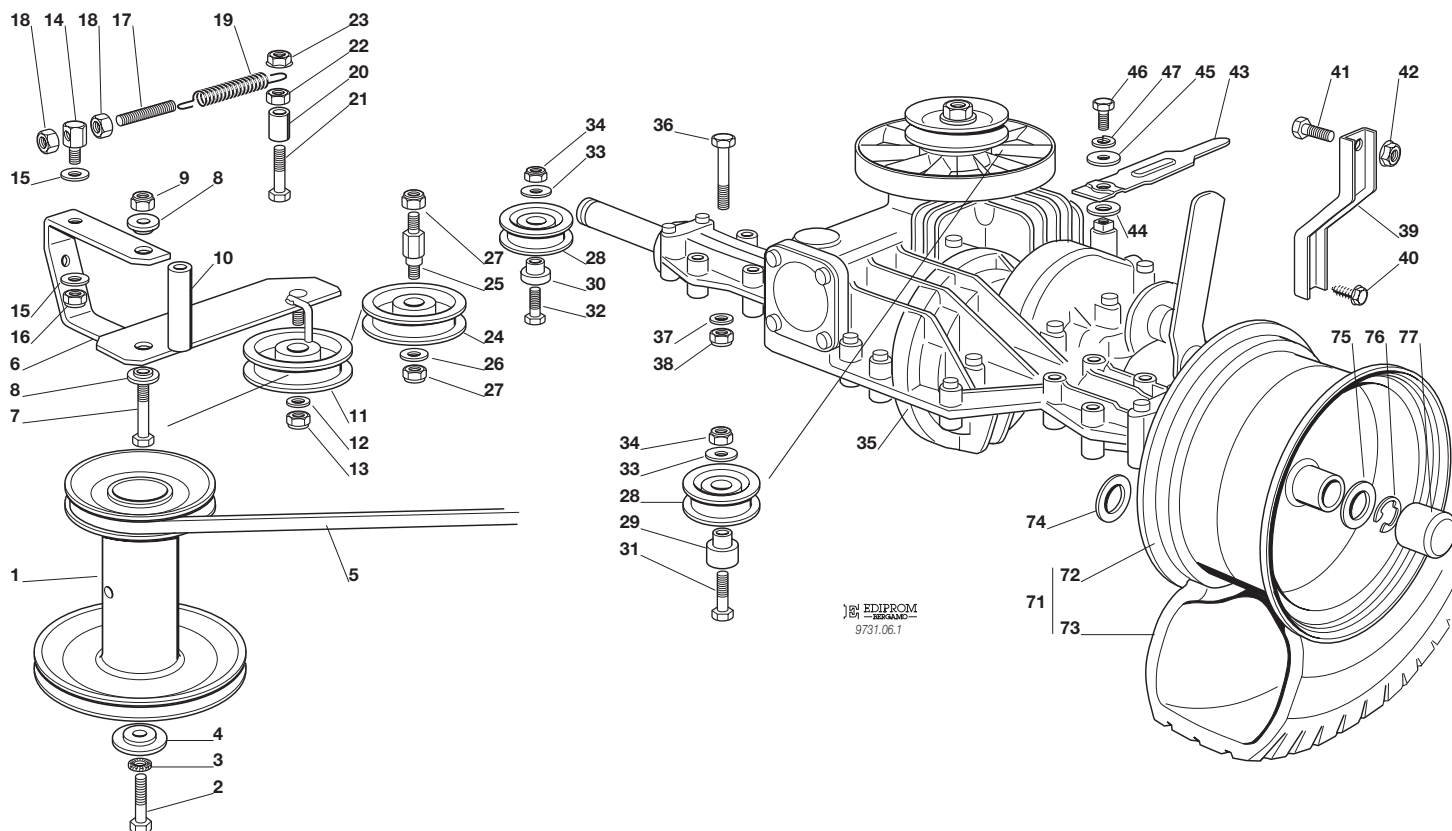


| Pos. Nr. | Codice Kodex Code | Descrizione | Description | Description | Beschreibung     | Q.tà<br>Q.ty<br>Q.té<br>Menge |
|----------|-------------------|-------------|-------------|-------------|------------------|-------------------------------|
| 1        | 25601547/0        | PULEGGIA    | PULLEY      | POULIE      | RIEMENSCHLEIBE   | 1                             |
| 2        | 12737310/0        | VITE        | SCREW       | VIS         | SCHRAUBE         | 1                             |
| 3        | 12543000/0        | ROSETTA     | WASHER      | RONDELLE    | SCHEIBE          | 1                             |
| 4        | 22671433/0        | RONDELLA    | WASHER      | RONDELLE    | SCHEIBE          | 1                             |
| 5        | 35062000/1        | CINGHIA     | BELT        | COURROIE    | RIEMEN           | 1                             |
| 6        | 82318133/0        | LEVA        | LEVER       | LEVIER      | HEBEL            | 1                             |
| 7        | 12692080/0        | VITE        | SCREW       | VIS         | SCHRAUBE         | 1                             |
| 8        | 25038002/0        | BOCCOLA     | BUSH        | DOUILLE     | BÜCHSE           | 2                             |
| 9        | 12155000/0        | DADO        | NUT         | ECROU       | MUTTER           | 1                             |
| 10       | 25160017/0        | DISTANZIALE | SPACER      | ENTRETOISE  | ENTFERNUNGSSTÜCK | 1                             |
| 11       | 25601554/0        | PULEGGIA    | PULLEY      | POULIE      | RIEMENSCHLEIBE   | 1                             |
| 12       | 12523060/0        | RONDELLA    | WASHER      | RONDELLE    | SCHEIBE          | 1                             |
| 13       | 12155000/0        | DADO        | NUT         | ECROU       | MUTTER           | 1                             |
| 14       | 25510040/0        | PERNO       | PIN         | PIVOT       | BOLZEN           | 1                             |
| 15       | 25670011/0        | RONDELLA    | WASHER      | RONDELLE    | SCHEIBE          | 2                             |
| 16       | 12155000/0        | DADO        | NUT         | ECROU       | MUTTER           | 1                             |
| 17       | 25840005/0        | TIRANTE     | TIE ROD     | TIRANT      | SPANNSTANGE      | 1                             |
| 18       | 12293200/0        | DADO        | NUT         | ECROU       | MUTTER           | 2                             |
| 19       | 25430219/0        | MOLLA       | SPRING      | RESSORT     | FEDER            | 1                             |
| 20       | 25160017/0        | DISTANZIALE | SPACER      | ENTRETOISE  | ENTFERNUNGSSTÜCK | 1                             |
| 21       | 25943001/0        | VITE        | SCREW       | VIS         | SCHRAUBE         | 1                             |
| 22       | 12293201/0        | DADO        | NUT         | ECROU       | MUTTER           | 1                             |
| 23       | 12155000/0        | DADO        | NUT         | ECROU       | MUTTER           | 1                             |
| 24       | 25840002/0        | TIRANTE     | TIE ROD     | TIRANT      | SPANNSTANGE      | 1                             |
| 25       | 22746601/0        | SNODO       | JOINT       | JOINT       | GELENK           | 1                             |
| 26       | 12583500/0        | GROWER      | GROWER      | GROWER      | GROWER           | 1                             |

| Pos. Nr. | Codice Kodex Code | Descrizione          | Description  | Description        | Beschreibung                  | Q.tà<br>Q.ty<br>Q.té<br>Menge |
|----------|-------------------|----------------------|--------------|--------------------|-------------------------------|-------------------------------|
| 27       | 12293200/0        | DADO                 | NUT          | ECROU              | MUTTER                        | 1                             |
| 28       | 12521350/0        | RONDELLA             | WASHER       | RONDELLE           | SCHEIBE                       | 1                             |
| 29       | 12604899/0        | ANELLO ELASTICO      | SNAP RING    | ANNEAU RESSORT     | SPRENGRING                    | 1                             |
| 30       | 25601555/0        | PULEGGIA             | PULLEY       | POULIE             | RIEMENSCHLEIBE                | 1                             |
| 31       | 25510036/0        | PERNO                | PIN          | PIVOT              | BOLZEN                        | 1                             |
| 32       | 12523060/0        | RONDELLA             | WASHER       | RONDELLE           | SCHEIBE                       | 1                             |
| 33       | 12155000/0        | DADO                 | NUT          | ECROU              | MUTTER                        | 2                             |
| 34       | 25601558/0        | PULEGGIA             | PULLEY       | POULIE             | RIEMENSCHLEIBE                | 2                             |
| 35       | 25160018/0        | DISTANZIALE SINISTRO | LEFT SPACER  | ENTRETOISE GAUCHE  | LINKER ENTFERNUNGSSTÜCK       | 1                             |
| 36       | 25160014/0        | DISTANZIALE DESTRO   | RIGHT SPACER | ENTRETOISE DROITE  | RECHTER ENTFERNUNGS-<br>STÜCK | 1                             |
| 37       | 12691100/0        | VITE SINISTRA        | LEFT SCREW   | VIS GAUCHE         | LINKE SCHRAUBE                | 1                             |
| 38       | 12691200/0        | VITE DESTRA          | RIGHT SCREW  | VIS DROITE         | RECHTE SCHRAUBE               | 1                             |
| 39       | 12523060/0        | RONDELLA             | WASHER       | RONDELLE           | SCHEIBE                       | 2                             |
| 40       | 12155000/0        | DADO                 | NUT          | ECROU              | MUTTER                        | 2                             |
| 41       | 82601503/0        | PULEGGIA             | PULLEY       | POULIE             | RIEMENSCHLEIBE                | 1                             |
| 42       | 12139430/0        | LINGUETTA            | KEY          | CLAVETTE           | KEIL                          | 1                             |
| 43       | 12608950/0        | ANELLO ELASTICO      | SNAP RING    | ANNEAU RESSORT     | SPRENGRING                    | 1                             |
| 44*      | 18400910/0        | ASSE POSTERIORE      | REAR AXLE    | AXE ARRIERE        | HINTERACHSE                   | 1                             |
| 45       | 12691800/0        | VITE                 | SCREW        | VIS                | SCHRAUBE                      | 4                             |
| 46       | 12521350/0        | RONDELLA             | WASHER       | RONDELLE           | SCHEIBE                       | 4                             |
| 47       | 12155000/0        | DADO                 | NUT          | ECROU              | MUTTER                        | 4                             |
| 48       | 25774247/0        | STAFFA               | CLAMP        | ETRIER             | BRIDE                         | 2                             |
| 49       | 12735150/0        | VITE                 | SCREW        | VIS                | SCHRAUBE                      | 2                             |
| 50       | 12792610/0        | VITE                 | SCREW        | VIS                | SCHRAUBE                      | 2                             |
| 51       | 12293201/0        | DADO                 | NUT          | ECROU              | MUTTER                        | 2                             |
| 52       | 25270303/0        | GUIDACINGHIA         | BELT GUIDE   | GUIDE DE COURROIRE | RIEMENFÜHRUNG                 | 1                             |
| 53       | 12521330/0        | RONDELLA             | WASHER       | RONDELLE           | SCHEIBE                       | 2                             |
| 54       | 12292102/0        | DADO                 | NUT          | ECROU              | MUTTER                        | 2                             |
| 71       | 82680003/0        | RUOTA POSTERIORE     | REAR WHEEL   | ROUE ARRIERE       | HINTERRAD                     | 2                             |
| 72       | 82000592/0        | CERCHIO RUOTA        | RIMM         | BANDAGE ROUE       | HINTRERRAD FELGER             | 2                             |
| 73       | 25590001/0        | PNEUMATICO           | SHOE         | PNEU               | REIFEN                        | 2                             |
| 74       | 12521410/0        | RONDELLA             | WASHER       | RONDELLE           | SCHEIBE                       | 4                             |
| 75       | 25670005/1        | RONDELLA             | WASHER       | RONDELLE           | SCHEIBE                       | 2                             |
| 76       | 12001010/0        | ANELLO ELASTICO      | SNAP RING    | ANNEAU RESSORT     | SPRENGRING                    | 2                             |
| 77       | 22110230/0        | COPRIMOZZO           | HUB COVER    | COUVRE MOYEU       | NABEDECKEL                    | 2                             |

PER LA SOSTITUZIONE DELLE PARTI CONTRASSEGNALE CON «\*» RIVOLGERSI AL SERVIZIO ASSISTENZA DEL COSTRUTTORE (TECUMSEH).  
TO REPLACE THE PARTS MARKED «\*» SEEK ASSISTANCE FROM MANUFACTURER'S AFTER SALES SERVICE (TECUMSEH).  
POUR LE REMPLACEMENT DES PIÈCES MARQUÉES AVEC «\*» S'ADRESSER AU SERVICE APRÈS VENTES DU CONSTRUCTEUR (TECUMSEH).  
ZUM AUSTAUSCH DER MIT «\*» GEKENNZEICHNETEN TEILE, WENDEN SIE SICH AN DEN KUNDENDIENST DES HERSTELLERS (TECUMSEH).

GRUPPO TRASMISSIONE  
 TRANSMISSION GROUP  
 GROUPE TRANSMISSION  
 GETRIEBE

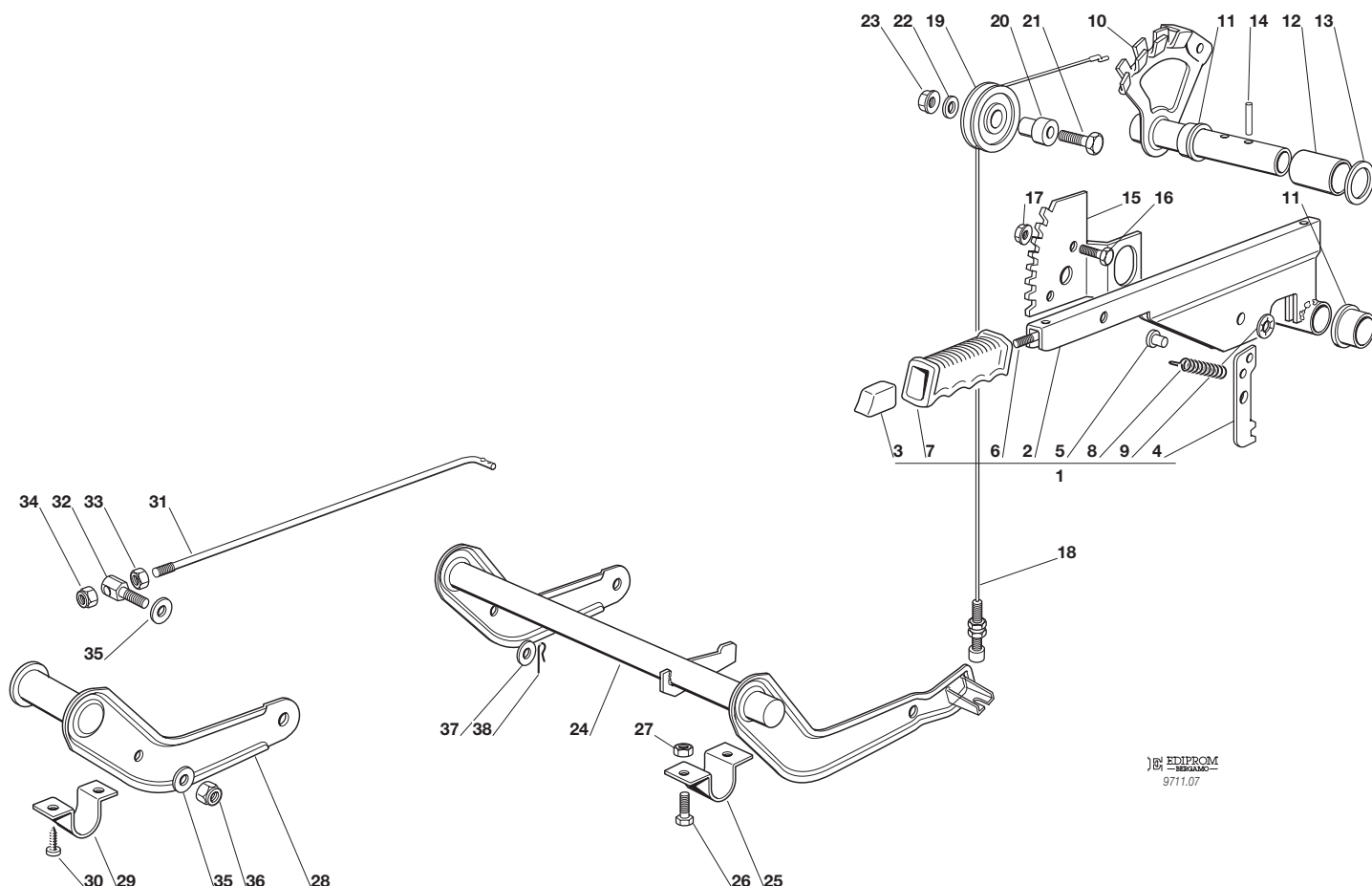


| Pos. Nr. | Codice Kodex Code | Descrizione | Description | Description | Beschreibung     | Q.tà<br>Q.ty<br>Q.té<br>Menge |
|----------|-------------------|-------------|-------------|-------------|------------------|-------------------------------|
| 1        | 25601548/0        | PULEGGIA    | PULLEY      | POULIE      | RIEMENSCHLEIBE   | 1                             |
| 2        | 12737310/0        | VITE        | SCREW       | VIS         | SCHRAUBE         | 1                             |
| 3        | 12543000/0        | ROSETTA     | WASHER      | RONDELLE    | SCHEIBE          | 1                             |
| 4        | 22671433/0        | RONDELLA    | WASHER      | RONDELLE    | SCHEIBE          | 1                             |
| 5        | 35062010/0        | CINGHIA     | BELT        | COURROIE    | RIEMEN           | 1                             |
| 6        | 82318133/0        | LEVA        | LEVER       | LEVIER      | HEBEL            | 1                             |
| 7        | 12692080/0        | VITE        | SCREW       | VIS         | SCHRAUBE         | 1                             |
| 8        | 25038002/0        | BOCCOLA     | BUSH        | DOUILLE     | BÜCHSE           | 2                             |
| 9        | 12155000/0        | DADO        | NUT         | ECROU       | MUTTER           | 1                             |
| 10       | 25160017/0        | DISTANZIALE | SPACER      | ENTRETROISE | ENTFERNUNGSSTÜCK | 1                             |
| 11       | 25601554/0        | PULEGGIA    | PULLEY      | POULIE      | RIEMENSCHLEIBE   | 1                             |
| 12       | 12523060/0        | RONDELLA    | WASHER      | RONDELLE    | SCHEIBE          | 1                             |
| 13       | 12155000/0        | DADO        | NUT         | ECROU       | MUTTER           | 1                             |
| 14       | 25510040/0        | PERNO       | PIN         | PIVOT       | BOLZEN           | 1                             |
| 15       | 25670011/0        | RONDELLA    | WASHER      | RONDELLE    | SCHEIBE          | 2                             |
| 16       | 12155000/0        | DADO        | NUT         | ECROU       | MUTTER           | 1                             |
| 17       | 25840005/0        | TIRANTE     | TIE ROD     | TIRANT      | SPANNSTANGE      | 1                             |
| 18       | 12293200/0        | DADO        | NUT         | ECROU       | MUTTER           | 2                             |
| 19       | 25430219/0        | MOLLA       | SPRING      | RESSORT     | FEDER            | 1                             |
| 20       | 25160017/0        | DISTANZIALE | SPACER      | ENTRETROISE | ENTFERNUNGSSTÜCK | 1                             |
| 21       | 25943001/0        | VITE        | SCREW       | VIS         | SCHRAUBE         | 1                             |
| 22       | 12293201/0        | DADO        | NUT         | ECROU       | MUTTER           | 1                             |
| 23       | 12155000/0        | DADO        | NUT         | ECROU       | MUTTER           | 1                             |
| 24       | 25601555/0        | PULEGGIA    | PULLEY      | POULIE      | RIEMENSCHLEIBE   | 1                             |
| 25       | 25510036/0        | PERNO       | PIN         | PIVOT       | BOLZEN           | 1                             |
| 26       | 12523060/0        | RONDELLA    | WASHER      | RONDELLE    | SCHEIBE          | 1                             |

| Pos. Nr. | Codice Kodex Code | Descrizione          | Description  | Description       | Beschreibung             | Q.tà<br>Q.ty<br>Q.té<br>Menge |
|----------|-------------------|----------------------|--------------|-------------------|--------------------------|-------------------------------|
| 27       | 12155000/0        | DADO                 | NUT          | ECROU             | MUTTER                   | 2                             |
| 28       | 25601558/0        | PULEGGIA             | PULLEY       | POULIE            | RIEMENSCHLEIBE           | 2                             |
| 29       | 25160018/0        | DISTANZIALE SINISTRO | LEFT SPACER  | ENTRETOISE GAUCHE | LINKER ENTFERNUNGSSTÜCK  | 1                             |
| 30       | 25160014/0        | DISTANZIALE DESTRO   | RIGHT SPACER | ENTRETOISE DROITE | RECHTER ENTFERNUNGSSTÜCK | 1                             |
| 31       | 12691100/0        | VITE SINISTRA        | LEFT SCREW   | VIS GAUCHE        | LINKE SCHRAUBE           | 1                             |
| 32       | 12691200/0        | VITE DESTRA          | RIGHT SCREW  | VIS DROITE        | RECHTE SCHRAUBE          | 1                             |
| 33       | 12523060/0        | RONDELLA             | WASHER       | RONDELLE          | SCHEIBE                  | 2                             |
| 34       | 12155000/0        | DADO                 | NUT          | ECROU             | MUTTER                   | 2                             |
| 35*      | 18400920/0        | ASSE POSTERIORE      | REAR AXLE    | AXE ARRIERE       | HINTERACHSE              | 1                             |
| 36       | 12691800/0        | VITE                 | SCREW        | VIS               | SCHRAUBE                 | 4                             |
| 37       | 12521350/0        | RONDELLA             | WASHER       | RONDELLE          | SCHEIBE                  | 4                             |
| 38       | 12155000/0        | DADO                 | NUT          | ECROU             | MUTTER                   | 4                             |
| 39       | 25774247/0        | STAFFA               | CLAMP        | ETRIER            | BRIDE                    | 2                             |
| 40       | 12735150/0        | VITE                 | SCREW        | VIS               | SCHRAUBE                 | 2                             |
| 41       | 12792610/0        | VITE                 | SCREW        | VIS               | SCHRAUBE                 | 2                             |
| 42       | 12293201/0        | DADO                 | NUT          | ECROU             | MUTTER                   | 2                             |
| 43       | 25318149/0        | LEVA                 | LEVER        | LEVIER            | HEBEL                    | 1                             |
| 44       | 12521370/0        | RONDELLA             | WASHER       | RONDELLE          | SCHEIBE                  | 1                             |
| 45       | 12523050/0        | RONDELLA             | WASHER       | RONDELLE          | SCHEIBE                  | 1                             |
| 46       | 12735520/0        | VITE                 | SCREW        | VIS               | SCHRAUBE                 | 1                             |
| 47       | 12582100/0        | GROWER               | GROWER       | GROWER            | GROWER                   | 1                             |
| 71       | 82680003/0        | RUOTA POSTERIORE     | REAR WHEEL   | ROUE ARRIERE      | HINTERRAD                | 2                             |
| 72       | 82000592/0        | CERCHIO RUOTA        | RIMM         | BANDAGE ROUE      | HINTRERRAD FELGER        | 2                             |
| 73       | 25590001/0        | PNEUMATICO           | SHOE         | PNEU              | REIFEN                   | 2                             |
| 74       | 12521410/0        | RONDELLA             | WASHER       | RONDELLE          | SCHEIBE                  | 4                             |
| 75       | 25670005/1        | RONDELLA             | WASHER       | RONDELLE          | SCHEIBE                  | 2                             |
| 76       | 12001010/0        | ANELLO ELASTICO      | SNAP RING    | ANNEAU RESSORT    | SPRENGRING               | 2                             |
| 77       | 22110230/0        | COPRIMOZZO           | HUB COVER    | COUVRE MOYEU      | NABEDECHEL               | 2                             |

PER LA SOSTITUZIONE DELLE PARTI CONTRASSEGNALE CON «\*» RIVOLGERSI AL SERVIZIO ASSISTENZA DEL COSTRUTTORE (TECUMSEH).  
 TO REPLACE THE PARTS MARKED «\*» SEEK ASSISTANCE FROM MANUFACTURER'S AFTER SALES SERVICE (TECUMSEH).  
 POUR LE REMPLACEMENT DES PIÈCES MARQUÉES AVEC «\*» S'ADRESSER AU SERVICE APRÈS VENTES DU CONSTRUCTEUR (TECUMSEH).  
 ZUM AUSTAUSCH DER MIT «\*» GEKENNZEICHNETEN TEILE, WENDEN SIE SICH AN DEN KUNDENDIENST DES HERSTELLERS (TECUMSEH).

SOLLEVAMENTO PIATTO  
 CUTTING PLATE LIFTING  
 SOULEVEMENT PLATEAU DE COUPE  
 SCHNEIDWERKZEUG AUFHEBESATZ



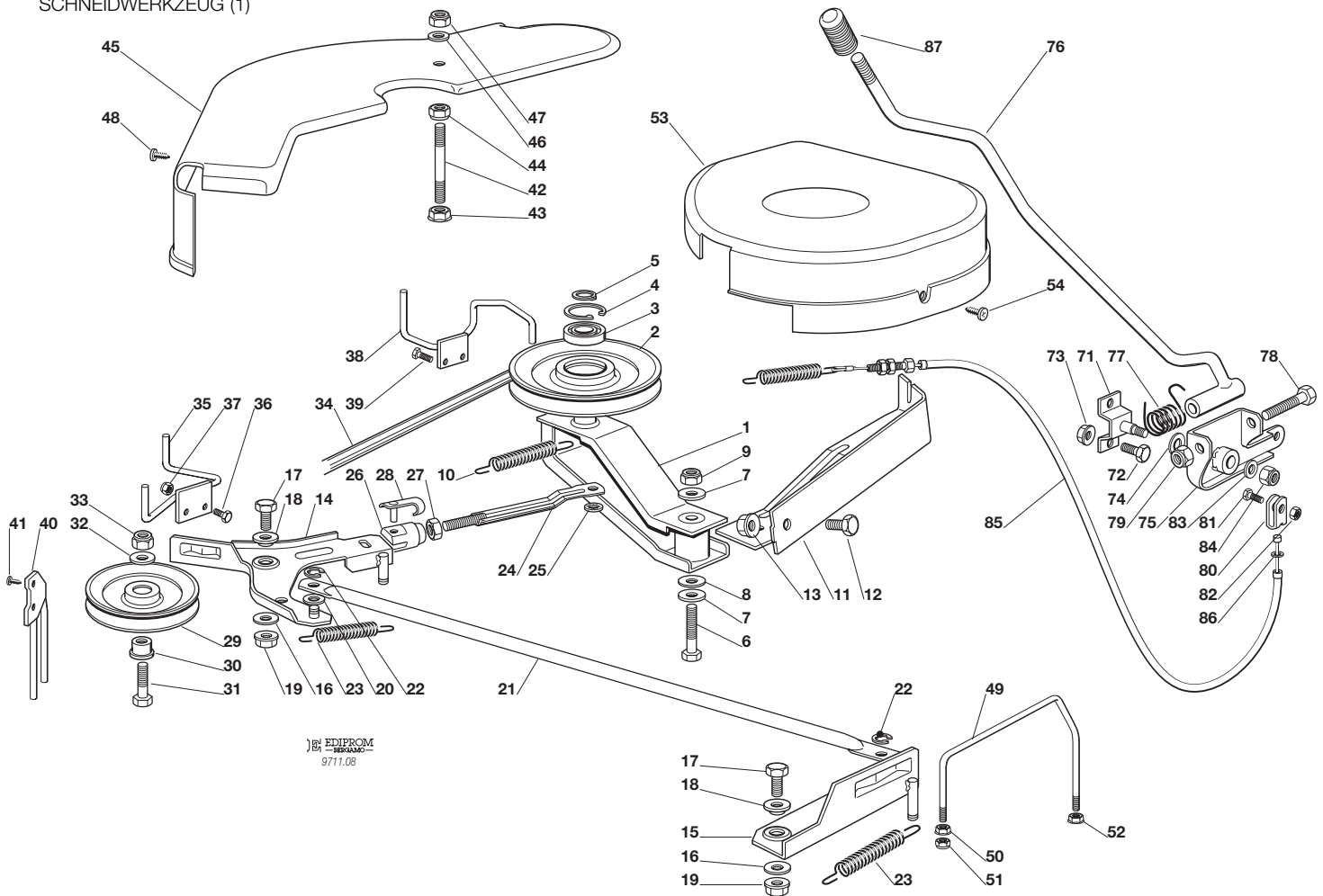
EDIPROM  
 9711.07

| Pos. Nr. | Codice Kodex Code | Descrizione        | Description       | Description       | Beschreibung                           | Q.tà<br>Q.ty<br>Q.té<br>Menge |
|----------|-------------------|--------------------|-------------------|-------------------|--|-------------------------------|
| 1        | 82300002/0        | ASSIEME LEVA (2÷9) | LEVER ASS.Y (2÷9) | ENS. LEVIER (2÷9) | SCHNEIDWERKZEUG<br>AUFHEBENHEBEL (2÷9) | 1                             |
| 2        | 82318139/0        | LEVA               | LEVER             | LEVIER            | HEBEL                                  | 1                             |
| 3        | 82605000/0        | PULSANTE           | BUTTON            | POUSSOIR          | DRUCKKNOPF                             | 1                             |
| 4        | 25470901/0        | NASELLO            | DOG               | DECLIC            | NASE                                   | 1                             |
| 5        | 25510011/0        | PERNO              | PIN               | PIVOT             | BOLZEN                                 | 1                             |
| 6        | 25033002/0        | ASTA               | ROD               | TIGE              | STAB                                   | 1                             |
| 7        | 25394504/0        | MANOPOLA           | KNOB              | POIGNEE           | GRIFF                                  | 1                             |
| 8        | 25430208/0        | MOLLA              | SPRING            | RESSORT           | FEDER                                  | 1                             |
| 9        | 12604899/0        | RONDELLA           | WASHER            | RONDELLE          | SCHEIBE                                | 1                             |
| 10       | 82000403/0        | ASSE               | AXLE              | AXE               | ACHSE                                  | 1                             |
| 11       | 22034523/0        | BOCCOLA            | BUSH              | DOUILLE           | BÜCHSE                                 | 2                             |
| 12       | 25160013/0        | DISTANZIALE        | SPACER            | ENTRETOISE        | ENTFERNUNGSSTÜCK                       | 1                             |
| 13       | 12521410/0        | RONDELLA           | WASHER            | RONDELLE          | SCHEIBE                                | 1                             |
| 14       | 12620206/0        | SPINA              | PIN               | GOUPILLE          | STIFT                                  | 2                             |
| 15       | 25735506/0        | SETTORE            | SECTOR            | SECTEUR           | SEKTOR                                 | 1                             |
| 16       | 12792611/0        | VITE               | SCREW             | VIS               | SCHRAUBE                               | 2                             |
| 17       | 12293201/0        | DADO               | NUT               | ECROU             | MUTTER                                 | 2                             |
| 18       | 82004603/0        | FILO               | WIRE              | FIL               | KABEL                                  | 1                             |
| 19       | 25601557/0        | PULEGGIA           | PULLEY            | POULIE            | RIEMENSCHIEBE                          | 1                             |
| 20       | 25510032/0        | PERNO              | PIN               | PIVOT             | BOLZEN                                 | 1                             |
| 21       | 12691400/0        | VITE               | SCREW             | VIS               | SCHRAUBE                               | 1                             |
| 22       | 12523060/0        | RONDELLA           | WASHER            | RONDELLE          | SCHEIBE                                | 1                             |

| Pos. Nr. | Codice Kodex Code | Descrizione       | Description | Description | Beschreibung | Q.tà<br>Q.ty<br>Q.té<br>Menge |
|----------|-------------------|-------------------|-------------|-------------|--------------|-------------------------------|
| 23       | 12293201/0        | DADO              | NUT         | ECROU       | MUTTER       | 1                             |
| 24       | 82000381/0        | ASSE SOLLEVAMENTO | AXLE        | AXE         | ACHSE        | 1                             |
| 25       | 25547037/0        | PIASTRINA         | PLATE       | PLAQUE      | PLATTE       | 2                             |
| 26       | 12791011/0        | VITE              | SCREW       | VIS         | SCHRAUBE     | 4                             |
| 27       | 12292102/0        | DADO              | NUT         | ECROU       | MUTTER       | 4                             |
| 28       | 82318137/0        | LEVA              | LEVER       | LEVIER      | HEBEL        | 1                             |
| 29       | 25547041/0        | PIASTRINA         | PLATE       | PLAQUE      | PLATTE       | 2                             |
| 30       | 12731601/0        | VITE              | SCREW       | VIS         | SCHRAUBE     | 4                             |
| 31       | 25033013/0        | ASTA              | ROD         | TIGE        | STAB         | 1                             |
| 32       | 25510040/0        | PERNO             | PIN         | PIVOT       | BOLZEN       | 1                             |
| 33       | 12293200/0        | DADO              | NUT         | ECROU       | MUTTER       | 1                             |
| 34       | 12155000/0        | DADO              | NUT         | ECROU       | MUTTER       | 1                             |
| 35       | 25670011/0        | RONDELLA          | WASHER      | RONDELLE    | SCHEIBE      | 2                             |
| 36       | 12155000/0        | DADO              | NUT         | ECROU       | MUTTER       | 1                             |
| 37       | 12521350/0        | RONDELLA          | WASHER      | RONDELLE    | SCHEIBE      | 1                             |
| 38       | 24487997/0        | COPPIGLIA         | COTTER PIN  | GOUPILLE    | SPLIT        | 1                             |



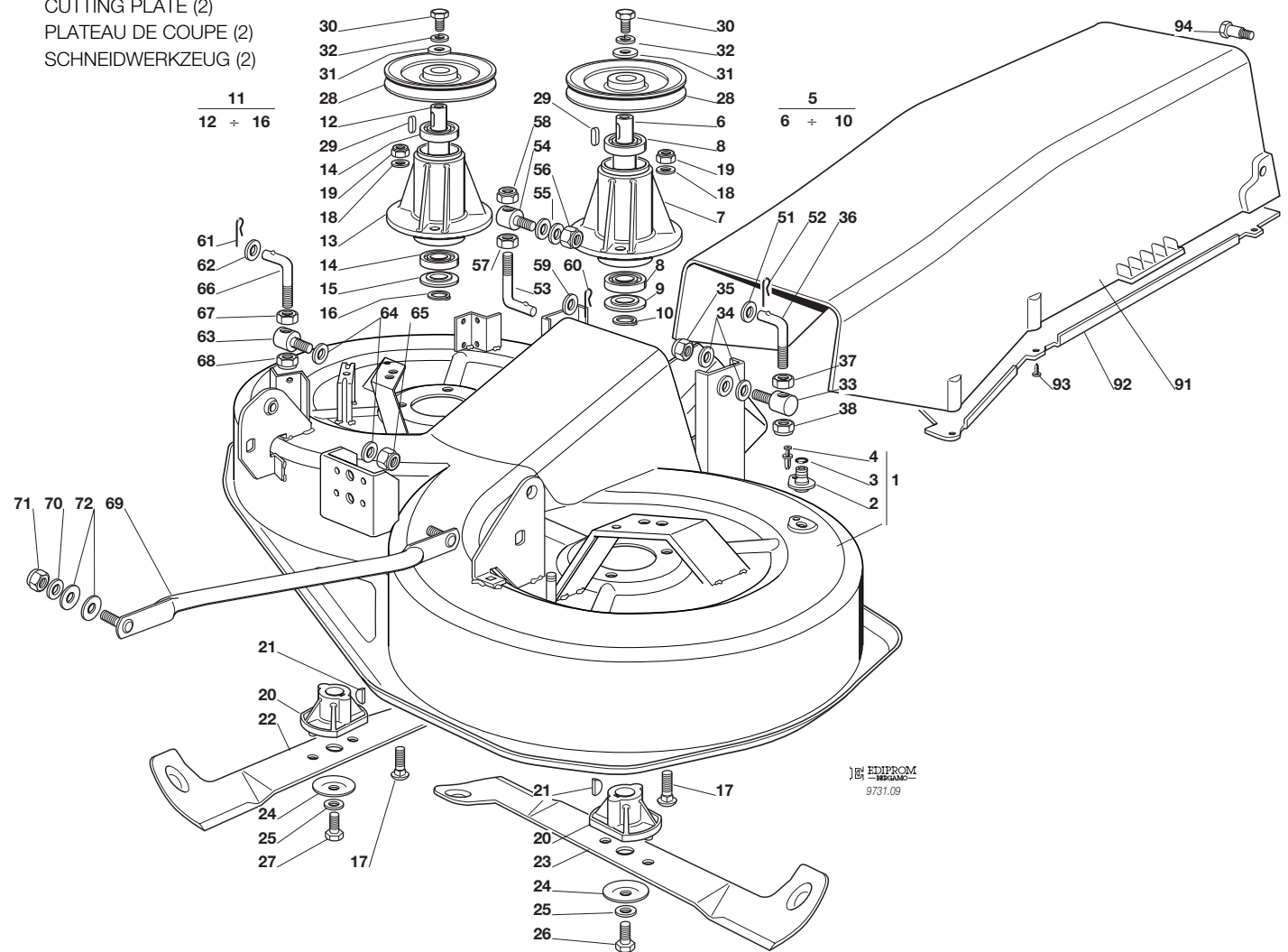
PIATTO DI TAGLIO (1)  
 CUTTING PLATE (1)  
 PLATEAU DE COUPE (1)  
 SCHNEIDWERKZEUG (1)



| Pos. Nr. | Codice Kodex Code | Descrizione     | Description | Description    | Beschreibung   | Q.tà<br>Q.ty<br>Q.té<br>Menge |
|----------|-------------------|-----------------|-------------|----------------|----------------|-------------------------------|
| 1        | 82318141/0        | LEVA            | LEVER       | LEVIER         | HEBEL          | 1                             |
| 2        | 25601564/0        | PULEGGIA        | PULLEY      | POULIE         | RIEMENSCHLEIBE | 1                             |
| 3        | 19216033/1        | CUSCINETTO      | BEARING     | ROULEMENT      | KUEGELLAGER    | 1                             |
| 4        | 12610800/0        | ANELLO ELASTICO | SNAP RING   | ANNEAU RESSORT | SPRENGRING     | 1                             |
| 5        | 12609200/0        | ANELLO ELASTICO | SNAP RING   | ANNEAU RESSORT | SPRENGRING     | 1                             |
| 6        | 12691700/0        | VITE            | SCREW       | VIS            | SCHRAUBE       | 1                             |
| 7        | 12523070/0        | RONDELLA        | WASHER      | RONDELLE       | SCHEIBE        | 2                             |
| 8        | 22672152/0        | RONDELLA        | WASHER      | RONDELLE       | SCHEIBE        | 1                             |
| 9        | 12155000/0        | DADO            | NUT         | ECROU          | MUTTER         | 1                             |
| 10       | 22450500/0        | MOLLA           | SPRING      | RESSORT        | FEDER          | 1                             |
| 11       | 82774215/0        | STAFFA          | CLAMP       | BRIDE          | BRIDE          | 1                             |
| 12       | 12792610/0        | VITE            | SCREW       | VIS            | SCHRAUBE       | 1                             |
| 13       | 12293201/0        | DADO            | NUT         | ECROU          | MUTTER         | 1                             |
| 14       | 82318143/1        | LEVA DESTRA     | RIGHT LEVER | LEVIER DROITE  | RECHTE HEBEL   | 1                             |
| 15       | 82318148/0        | LEVA SINISTRA   | LEFT LEVER  | LEVIER GAUCHE  | LINKE HEBEL    | 1                             |
| 16       | 22672152/0        | RONDELLA        | WASHER      | RONDELLE       | SCHEIBE        | 2                             |
| 17       | 12792611/0        | VITE            | SCREW       | VIS            | SCHRAUBE       | 2                             |
| 18       | 22041980/0        | BUSSOLA         | BUSH        | DOUILLE        | BÜCHSE         | 2                             |
| 19       | 12293201/0        | DADO            | NUT         | ECROU          | MUTTER         | 2                             |
| 20       | 25670011/0        | RONDELLA        | WASHER      | RONDELLE       | SCHEIBE        | 1                             |
| 21       | 25033024/0        | ASTA            | ROD         | TIGE           | TAB            | 1                             |
| 22       | 12436050/0        | PIASTRINA       | PLATE       | PLAQUE         | PLATTE         | 2                             |
| 23       | 25430229/1        | MOLLA           | SPRING      | RESSORT        | FEDER          | 2                             |

| Pos. Nr. | Codice Kodex Code | Descrizione  | Description      | Description        | Beschreibung     | Q.tà<br>Q.ty<br>Q.té<br>Menge |
|----------|-------------------|--------------|------------------|--------------------|------------------|-------------------------------|
| 24       | 82000470/0        | ASTA         | ROD              | TIGE               | STAB             | 1                             |
| 25       | 12436050/0        | PIASTRINA    | PLATE            | PLAQUE             | PLATTE           | 1                             |
| 26       | 18399000/0        | FORCELLA     | FORK             | FOURCHE            | GABEL            | 1                             |
| 27       | 12292100/0        | DADO         | NUT              | ECROU              | MUTTER           | 1                             |
| 28       | 18210200/0        | CLIP         | CLIP             | CLIP               | SPERRBOLZEN      | 1                             |
| 29       | 25601555/0        | PULEGGIA     | PULLEY           | POULIE             | RIEMENSCHLEIBE   | 1                             |
| 30       | 25160007/0        | DISTANZIALE  | SPACER           | ENTRETOISE         | ENTFERNUNGSSTÜCK | 1                             |
| 31       | 12691100/0        | VITE         | SCREW            | VIS                | SCHRAUBE         | 1                             |
| 32       | 12523060/0        | RONDELLA     | WASHER           | RONDELLE           | SCHEIBE          | 1                             |
| 33       | 12155000/0        | DADO         | NUT              | ECROU              | MUTTER           | 1                             |
| 34       | 35065700/0        | CINGHIA      | BELT             | COURROIRE          | KEILRIEMEN       | 1                             |
| 35       | 25270300/0        | GUIDACINGHIA | BELT GUIDE       | GUIDE DE COURROIRE | RIEMENFÜHRUNG    | 1                             |
| 36       | 12789000/0        | VITE         | SCREW            | VIS                | SCHRAUBE         | 2                             |
| 37       | 12154330/0        | DADO         | NUT              | ECROU              | MUTTER           | 2                             |
| 38       | 25270301/0        | GUIDACINGHIA | BELT GUIDE       | GUIDE DE COURROIRE | RIEMENFÜHRUNG    | 1                             |
| 39       | 12729601/0        | VITE         | SCREW            | VIS                | SCHRAUBE         | 2                             |
| 40       | 25270304/0        | GUIDACINGHIA | BELT GUIDE       | GUIDE DE COURROIRE | RIEMENFÜHRUNG    | 1                             |
| 41       | 12731601/0        | VITE         | SCREW            | VIS                | SCHRAUBE         | 2                             |
| 42       | 25580007/0        | PRIGIONIERO  | STUD SCREW       | PRISONNIER         | STIFTSCHLEIBE    | 1                             |
| 43       | 12293201/0        | DADO         | NUT              | ECROU              | MUTTER           | 1                             |
| 44       | 12155000/0        | DADO         | NUT              | ECROU              | MUTTER           | 1                             |
| 45       | 25060102/0        | CARTER       | CASE             | CARTER             | BLECH            | 1                             |
| 46       | 12523060/0        | RONDELLA     | WASHER           | RONDELLE           | SCHEIBE          | 1                             |
| 47       | 12155000/0        | DADO         | NUT              | ECROU              | MUTTER           | 1                             |
| 48       | 12735110/0        | VITE         | SCREW            | VIS                | SCHRAUBE         | 2                             |
| 49       | 25270305/0        | GUIDACINGHIA | BELT GUIDE       | GUIDE DE COURROIRE | RIEMENFÜHRUNG    | 1                             |
| 50       | 12293201/0        | DADO         | NUT              | ECROU              | MUTTER           | 1                             |
| 51       | 12155000/0        | DADO         | NUT              | ECROU              | MUTTER           | 1                             |
| 52       | 12292102/0        | DADO         | NUT              | ECROU              | MUTTER           | 1                             |
| 53       | 25060103/0        | CARTER       | CASE             | CARTER             | BLECH            | 1                             |
| 54       | 12735110/0        | VITE         | SCREW            | VIS                | SCHRAUBE         | 2                             |
|          |                   |              |                  |                    |                  |                               |
| 71       | 82785073/0        | SUPPORTO     | SUPPORT          | SUPPORT            | HALTER           | 1                             |
| 72       | 12792611/0        | VITE         | SCREW            | VIS                | SCHRAUBE         | 2                             |
| 73       | 12293201/0        | DADO         | NUT              | ECROU              | MUTTER           | 2                             |
| 74       | 22672151/0        | RONDELLA     | WASHER           | RONDELLE           | SCHEIBE          | 1                             |
| 75       | 82774204/0        | STAFFA       | CLAMP            | BRIDE              | BRIDE            | 1                             |
| 76       | 82318135/0        | LEVA         | LEVER            | LEVIER             | HEBEL            | 1                             |
| 77       | 25430227/0        | MOLLA        | SPRING           | RESSORT            | FEDER            | 1                             |
| 78       | 12692050/0        | VITE         | SCREW            | VIS                | SCHRAUBE         | 1                             |
| 79       | 12155000/0        | DADO         | NUT              | ECROU              | MUTTER           | 1                             |
| 80       | 22061337/0        | CAVALLOTTO   | CONNECTING PLATE | PAQUE DE CONNEXION | BUGEL BOLZEN     | 1                             |
| 81       | 12791213/0        | VITE         | SCREW            | VIS                | SCHRAUBE         | 1                             |
| 82       | 12154510/0        | DADO         | NUT              | ECROU              | MUTTER           | 1                             |
| 83       | 12523060/0        | RONDELLA     | WASHER           | RONDELLE           | SCHEIBE          | 1                             |
| 84       | 12155010/0        | DADO         | NUT              | ECROU              | MUTTER           | 1                             |
| 85       | 82004604/0        | FILO         | WIRE             | FIL                | KABEL            | 1                             |
| 86       | 12523040/0        | RONDELLA     | WASHER           | RONDELLE           | SCHEIBE          | 1                             |
| 87       | 82394503/0        | MANOPOLA     | KNOB             | POIGNEE            | GRIFF            | 1                             |

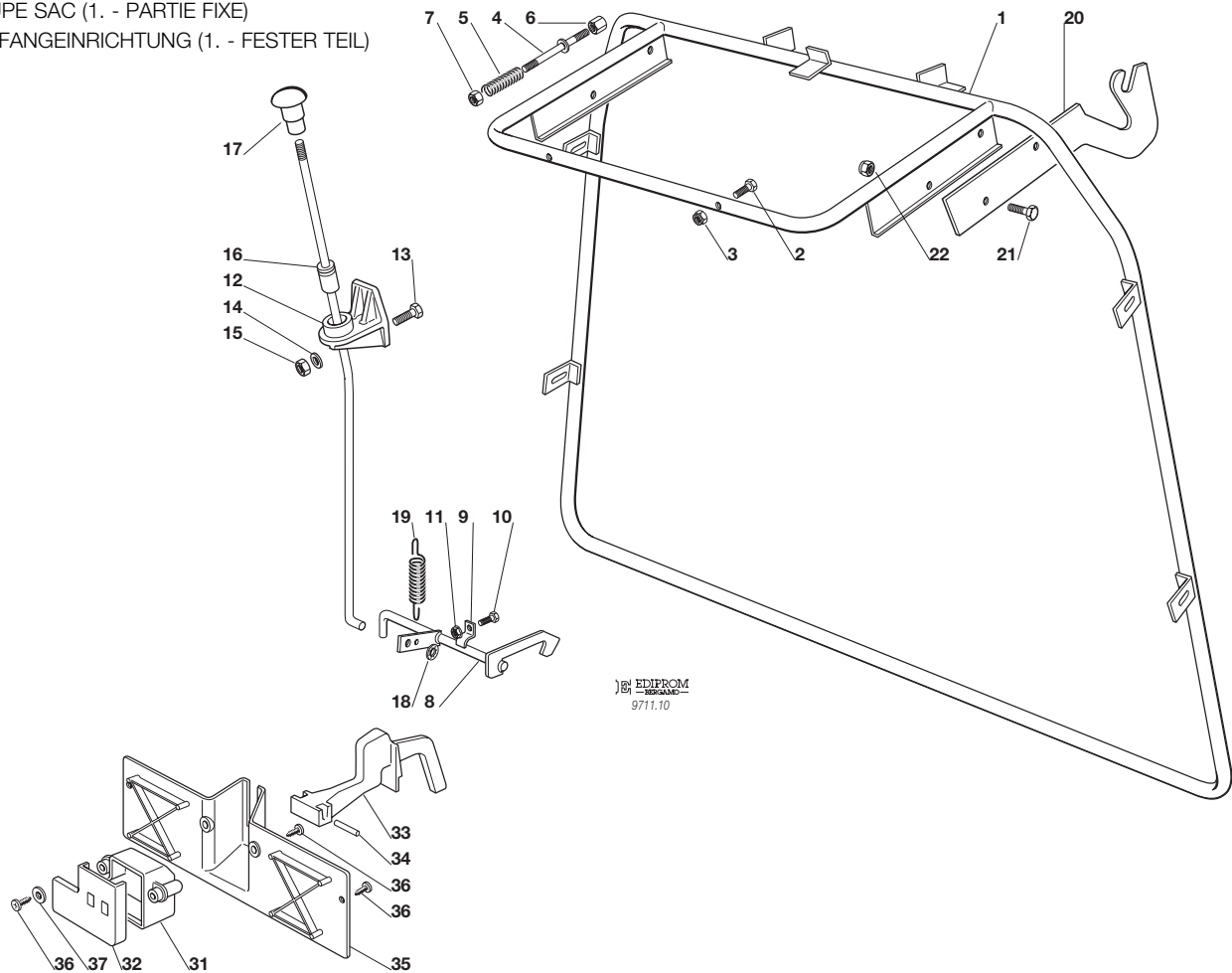
PIATTO DI TAGLIO (2)  
 CUTTING PLATE (2)  
 PLATEAU DE COUPE (2)  
 SCHNEIDWERKZEUG (2)



| Pos. Nr. | Codice Kodex Code | Descrizione                     | Description                   | Description                  | Beschreibung                     | Q.tà<br>Q.ty<br>Q.té<br>Menge |
|----------|-------------------|---------------------------------|-------------------------------|------------------------------|----------------------------------|-------------------------------|
| 1        | 82564034/1        | PIATTO                          | PLATE                         | PLATEAU                      | SCHNEID                          | 1                             |
| 2        | 25033060/0        | ATTACCO                         | WATER HOSE CONNECTION         | RACCORD TUYAU D'EAU          | WASSERANSCHLUSS                  | 2                             |
| 3        | 19035000/0        | ANELLO OR                       | O RING                        | O RING                       | O RING                           | 2                             |
| 4        | 12500030/0        | RIVETTO                         | RIVET                         | RIVET                        | NIET                             | 2                             |
| 5        | 82207202/0        | ASS. FLANGIA SINISTRA<br>(6÷10) | LEFT FLANGE ASS.Y<br>(6÷10)   | ENS. BRIDE GAUCHE<br>(6÷10)  | LINKE NABE, KOMPLETT<br>(6÷10)   | 1                             |
| 6        | 25020802/0        | ALBERO                          | SHAFT                         | ARBRE                        | WELLE                            | 1                             |
| 7        | 25207200/0        | FLANGIA                         | FLANGE                        | BRIDE                        | FLANSCH                          | 1                             |
| 8        | 19216032/0        | CUSCINETTO                      | BEARING                       | ROULEMENT                    | KUGELLAGER                       | 2                             |
| 9        | 25160501/0        | DISCO PARAPOLVERE               | DUST COVER                    | PROTEGE-POUSSIERE            | STAUBSCHUTTSCHIEBE               | 1                             |
| 10       | 12609260/0        | SEEGER                          | SEEGER                        | SEEGER                       | SEEGER                           | 1                             |
| 11       | 82207203/0        | ASS. FLANGIA DESTRA<br>(12÷16)  | RIGHT FLANGE ASS.Y<br>(12÷16) | ENS. BRIDE DROITE<br>(12÷16) | RECHTE NABE, KOMPLETT<br>(12÷16) | 1                             |
| 12       | 25020803/0        | ALBERO                          | SHAFT                         | ARBRE                        | WELLE                            | 1                             |
| 13       | 25207200/0        | FLANGIA                         | FLANGE                        | BRIDE                        | FLANSCH                          | 1                             |
| 14       | 19216032/0        | CUSCINETTO                      | BEARING                       | ROULEMENT                    | KUGELLAGER                       | 2                             |
| 15       | 25160501/0        | DISCO PARAPOLVERE               | DUST COVER                    | PROTEGE-POUSSIERE            | STAUBSCHUTTSCHIEBE               | 1                             |
| 16       | 12609260/0        | SEEGER                          | SEEGER                        | SEEGER                       | SEEGER                           | 1                             |
| 17       | 12818700/0        | VITE                            | SCREW                         | VIS                          | SCHRAUBE                         | 6                             |
| 18       | 12521350/0        | RONDELLA                        | WASHER                        | RONDELLE                     | SCHEIBE                          | 6                             |
| 19       | 12155000/0        | DADO                            | NUT                           | ECROU                        | MUTTER                           | 6                             |
| 20       | 25463200/0        | MOZZO COLTELLO                  | BLADE HUB                     | MOYEU LAME                   | MESSERHALTER                     | 2                             |
| 21       | 12139100/0        | LINGUETTA                       | KEY                           | CLAVETTE                     | KEIL                             | 2                             |

| Pos. Nr. | Codice Kodex Code | Descrizione   | Description  | Description  | Beschreibung  | Q.tà<br>Q.ty<br>Q.té<br>Menge |
|----------|-------------------|---|--|--|---|-------------------------------|
| 22       | 82004345/0        | COLTELLO DESTRO   | RIGHT BLADE  | LAME DROITE  | RECHTER MESSER  | 1                             |
| 23       | 82004344/0        | COLTELLO SINISTRO   | LEFT BLADE   | LAME GAUCHE  | LINKER MESSER   | 1                             |
| 24       | 22160400/0        | DISCO PARAPOLVERE   | DUST COVER   | PROTEGE-POUSSIÈRE  | STAUBSCHUTSCHEIBE                                       | 2                             |
| 25       | 12523080/0        | RONDELLA  | WASHER   | RONDELLE   | SCHEIBE   | 2                             |
| 26       | 12735694/0        | VITE  | SCREW  | VIS  | SCHRAUBE  | 1                             |
| 27       | 12735695/1        | VITE  | SCREW  | VIS  | SCHRAUBE  | 1                             |
| 28       | 25601563/0        | PULEGGIA  | PULLEY   | POULIE   | RIEMENSCHLEIBE  | 2                             |
| 29       | 12139480/0        | CHIAVETTA   | KEY  | CLAVETTE   | KEIL  | 2                             |
| 30       | 12793102/0        | VITE  | SCREW  | VIS  | SCHRAUBE  | 2                             |
| 31       | 25670007/0        | RONDELLA  | WASHER   | RONDELLE   | SCHEIBE   | 2                             |
| 32       | 12583500/0        | GROWER  | GROWER   | GROWER   | GROWER  | 2                             |
| 33       | 25510024/0        | PERNO   | PIN  | PIVOT  | BOLZEN  | 1                             |
| 34       | 25670008/0        | RONDELLA  | WASHER   | RONDELLE   | SCHEIBE   | 2                             |
| 35       | 12156602/0        | DADO  | NUT  | ECROU  | MUTTER  | 1                             |
| 36       | 25840003/0        | TIRANTE   | TIE ROD  | TIRANT   | SPANNSTANGE   | 1                             |
| 37       | 12295200/0        | DADO  | NUT  | ECROU  | MUTTER  | 1                             |
| 38       | 12156602/0        | DADO  | NUT  | ECROU  | MUTTER  | 1                             |
| —        | 82564036/1        | PIATTO DI TAGLIO<br>ASSEMBLATO<br>(008, 1÷39 + 009, 1÷38) | CUTTING PLATE,<br>ASSEMBLED<br>(008, 1÷39 + 009, 1÷38) | PLATEAU DE COUPE,<br>COMPLETE<br>(008, 1÷39 + 009, 1÷38) | SCHNEIDWERKZEUG,<br>KOMPLETT<br>(008, 1÷39 + 009, 1÷38) |                               |
| 51       | 25670008/0        | RONDELLA  | WASHER   | RONDELLE   | SCHEIBE   | 1                             |
| 52       | 24487997/0        | COPPIGLIA   | COTTER PIN   | GOUPILLE   | SPLIT   | 1                             |
| 53       | 25840007/0        | TIRANTE   | TIE ROD  | TIRANT   | SPANNSTANGE   | 1                             |
| 54       | 25510024/0        | PERNO   | PIN  | PIVOT  | BOLZEN  | 2                             |
| 55       | 25670008/0        | RONDELLA  | WASHER   | RONDELLE   | SCHEIBE   | 2                             |
| 56       | 12156602/0        | DADO  | NUT  | ECROU  | MUTTER  | 1                             |
| 57       | 12295200/0        | DADO  | NUT  | ECROU  | MUTTER  | 1                             |
| 58       | 12156602/0        | DADO  | NUT  | ECROU  | MUTTER  | 1                             |
| 59       | 12521360/0        | RONDELLA  | WASHER   | RONDELLE   | SCHEIBE   | 1                             |
| 60       | 24487997/0        | COPPIGLIA   | COTTER PIN   | GOUPILLE   | SPLIT   | 1                             |
| 61       | 24487997/0        | COPPIGLIA   | COTTER PIN   | GOUPILLE   | SPLIT   | 1                             |
| 62       | 25670008/0        | RONDELLA  | WASHER   | RONDELLE   | SCHEIBE   | 1                             |
| 63       | 25510024/0        | PERNO   | PIN  | PIVOT  | BOLZEN  | 1                             |
| 64       | 25670008/0        | RONDELLA  | WASHER   | RONDELLE   | SCHEIBE   | 2                             |
| 65       | 12156602/0        | DADO  | NUT  | ECROU  | MUTTER  | 1                             |
| 66       | 25840003/0        | TIRANTE   | TIE ROD  | TIRANT   | SPANNSTANGE   | 1                             |
| 67       | 12295200/0        | DADO  | NUT  | ECROU  | MUTTER  | 1                             |
| 68       | 12156602/0        | DADO  | NUT  | ECROU  | MUTTER  | 1                             |
| 69       | 82000474/0        | ASTA BILANCIERE   | EQUALIZER ROD  | TIGE BALANCIER   | KIPPHEBEL   | 2                             |
| 70       | 12523060/0        | RONDELLA  | WASHER   | RONDELLE   | SCHEIBE   | 4                             |
| 71       | 12156602/0        | DADO  | NUT  | ECROU  | MUTTER  | 4                             |
| 72       | 25670008/0        | RONDELLA  | WASHER   | RONDELLE   | SCHEIBE   | 8                             |
| 91       | 25108004/0        | CONVOGLIATORE   | CONVEYOR   | CONVOYEUR  | BLECHSATZ   | 1                             |
| 92       | 25190091/0        | DEFLETTORE  | DEFLECTOR  | DEFLECTEUR   | ABWEISER  | 1                             |
| 93       | 12735402/0        | VITE  | SCREW  | VIS  | SCHRAUBE  | 6                             |
| 94       | 25510044/0        | PERNO   | PIN  | PIVOT  | BOLZEN  | 2                             |

GRUPPO SACCO (1. - PARTE FISSA)  
 GRASSCATCHER GROUP (1. - FIXED PART)  
 GROUPE SAC (1. - PARTIE FIXE)  
 GRASFANGEINRICHTUNG (1. - FESTER TEIL)



| Pos. Nr. | Codice Kodex Code | Descrizione              | Description      | Description          | Beschreibung      | Q.tà<br>Q.ty<br>Q.té<br>Menge |
|----------|-------------------|--------------------------|------------------|----------------------|-------------------|-------------------------------|
| 1        | 82800017/0        | TELAIO                   | FRAME            | CHASSIS              | RAHMEN            | 1                             |
| 2        | 12791500/0        | VITE                     | SCREW            | VIS                  | SCHRAUBE          | 5                             |
| 3        | 12154510/0        | DADO                     | NUT              | ECROU                | MUTTER            | 5                             |
| 4        | 82000465/0        | ASTA                     | ROD              | TIGE                 | STANGE            | 1                             |
| 5        | 25430232/0        | MOLLA                    | SPRING           | RESSORT              | FEDER             | 1                             |
| 6        | 25510042/0        | PERNO                    | PIN              | PIVOT                | BOLZEN            | 2                             |
| 7        | 12292100/0        | DADO                     | NUT              | ECROU                | MUTTER            | 1                             |
| 8        | 82000363/0        | ASTA AGGANCIAMENTO SACCO | COUPLING ROD     | TIGE D'ACCROCHAGE    | KUPPLUNGSTANGE    | 1                             |
| 9        | 25774220/0        | STAFFA ANCORAGGIO        | ANCHOR BRACKET   | ETRIER               | BRIDE             | 2                             |
| 10       | 12790781/0        | VITE                     | SCREW            | VIS                  | SCHRAUBE          | 2                             |
| 11       | 12292102/0        | DADO                     | NUT              | ECROU                | MUTTER            | 2                             |
| 12       | 25785055/0        | SUPPORTO                 | SUPPORT          | SUPPORT              | HALTER            | 1                             |
| 13       | 12791200/0        | VITE                     | SCREW            | VIS                  | SCHRAUBE          | 1                             |
| 14       | 12521330/0        | ROSETTA                  | WASHER           | RONDELLE             | SCHEIBE           | 1                             |
| 15       | 12154510/0        | DADO                     | NUT              | ECROU                | MUTTER            | 1                             |
| 16       | 82000467/0        | ASTA SGANCIO             | RELEASE ROD      | TIGE DE DECHOCAGE    | ENTKUPPLUNGSTANGE | 1                             |
| 17       | 82394507/0        | MANOPOLA                 | HANDLE           | POIGNEE              | GRIF              | 1                             |
| 18       | 12604898/0        | RONDELLA                 | WASHER           | RONDELLE             | SCHEIBE           | 1                             |
| 19       | 25430220/0        | MOLLA                    | SPRING           | RESSORT              | FEDER             | 1                             |
| 20       | 25785077/0        | SUPPORTO                 | SUPPORT          | SUPPORT              | HALTER            | 2                             |
| 21       | 12793102/0        | VITE                     | SCREW            | VIS                  | SCHRAUBE          | 4                             |
| 22       | 12155000/0        | DADO                     | NUT              | ECROU                | MUTTER            | 4                             |
| 31       | 25600022/0        | PROTEZIONE MICRO         | MICRO PROTECTION | PROTECTION MICRO     | SCHUTZ            | 1                             |
| 32       | 25600023/0        | COPERCHIO PROTEZIONE     | PROTECTION COVER | COUVERCLE PROTECTION | SCHUTZDEKEL       | 1                             |

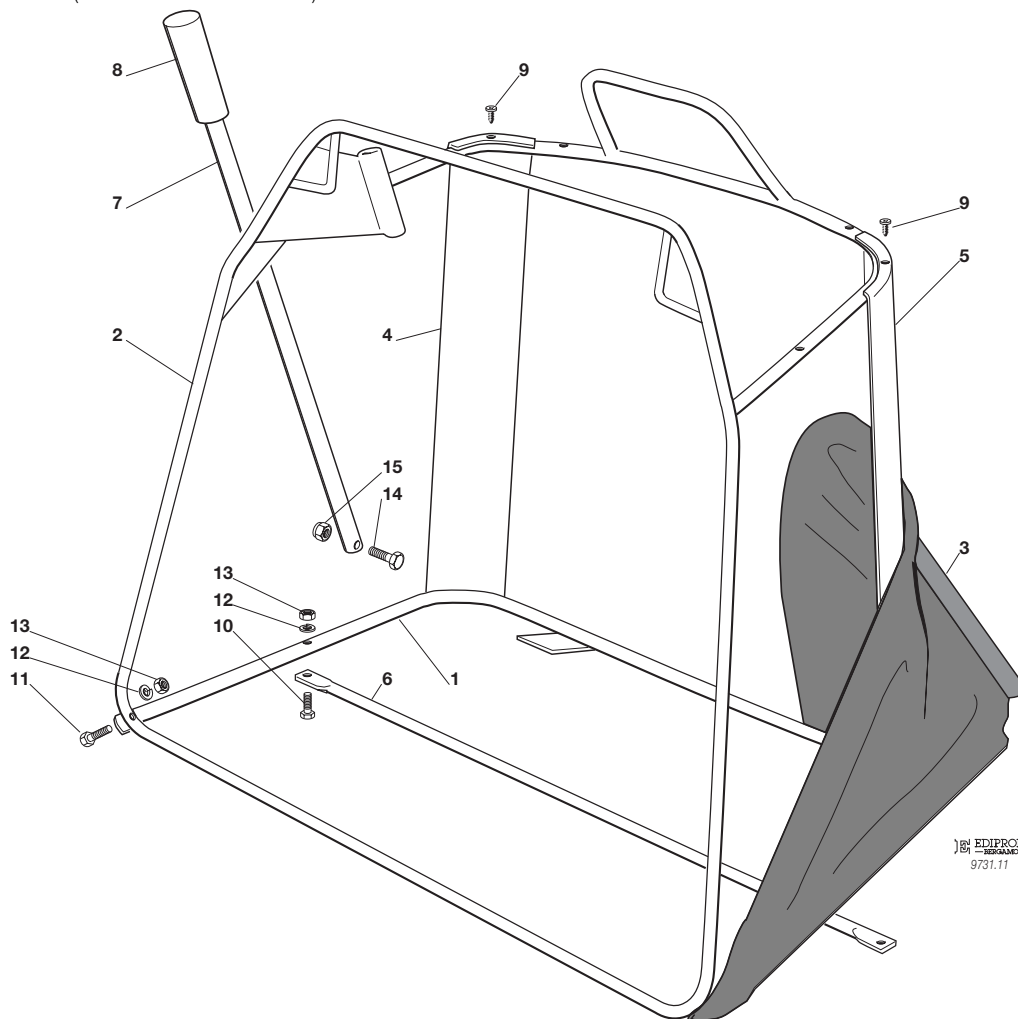
| Pos. Nr. | Codice Kodex Code | Descrizione | Description | Description | Beschreibung | Q.tà<br>Q.ty<br>Q.té<br>Menge |
|----------|-------------------|-------------|-------------|-------------|--------------|-------------------------------|
| 33       | 25318124/0        | LEVA        | LEVER       | LEVIER      | HEBEL        | 1                             |
| 34       | 12400030/0        | PERNO       | PIN         | PIVOT       | BOLZEN       | 1                             |
| 35       | 25774251/0        | STAFFA      | BRACKET     | SUPPORT     | SHELLE       | 1                             |
| 36       | 12728510/0        | VITE        | SCREW       | VIS         | SCHRAUBE     | 3                             |
| 37       | 12523020/0        | RONDELLA    | WASHER      | RONDELLE    | SCHEIBE      | 1                             |

GRUPPO SACCO (2. - PARTE MOBILE)

GRASSCATCHER GROUP (2. - MOBILE PART)

GROUPE SAC (2. - PARTIE MOBILE)

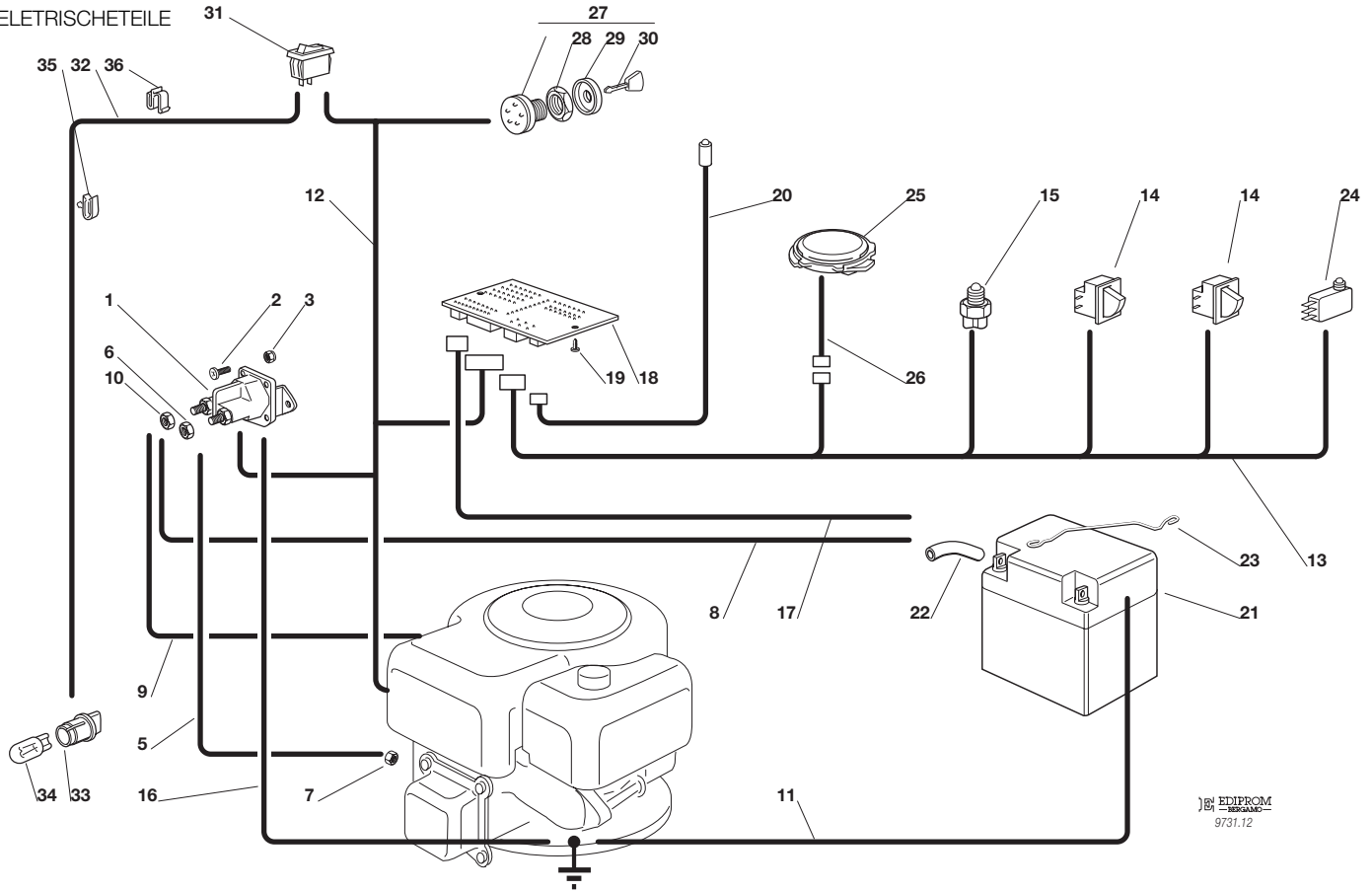
GRASFANGEINRICHTUNG (2. - BEWEGLICHER TEIL)



| Pos. Nr. | Codice Kodex Code | Descrizione       | Description           | Description              | Beschreibung   | Q.tà<br>Q.ty<br>Q.té<br>Menge |
|----------|-------------------|-------------------|-----------------------|--------------------------|----------------|-------------------------------|
| 1        | 82800015/0        | TELAIO INFERIORE  | LOWER FRAME           | CHASSIS INFÉRIEUR        | UNTERERRAHMEN  | 1                             |
| 2        | 82800014/1        | TELAIO SUPERIORE  | UPPER FRAME           | CHASSIS SUPÉRIEUR        | OBERERRAHMEN   | 1                             |
| 3        | 82105998/0        | CONFEZIONE SACCO  | GRASSCATCHER          | BAC                      | SACK           | 1                             |
| 4        | 25032004/0        | ANGOLARE DESTRO   | RIGHT ANGULAR SUPPORT | SUPPORT ANGULAIRE DROITE | RECHTER HALTER | 1                             |
| 5        | 25032005/0        | ANGOLARE SINISTRO | LEFT ANGULAR SUPPORT  | SUPPORT ANGULAIRE GAUCHE | LINKER HALTER  | 1                             |
| 6        | 82650039/0        | RINFORZO          | STIFFENING            | RENFORCEMENT             | VERSTAERKUNG   | 1                             |
| 7        | 25869029/0        | TUBO              | ROD                   | TIGE                     | STANGE         | 1                             |
| 8        | 25394508/0        | MANOPOLA          | HANDLE                | POINGEE                  | GRIF           | 1                             |
| 9        | 12729601/0        | VITE              | SCREW                 | VIS                      | SCHRAUBE       | 4                             |
| 10       | 12792099/0        | VITE              | SCREW                 | VIS                      | SCHRAUBE       | 2                             |
| 11       | 12792099/0        | VITE              | SCREW                 | VIS                      | SCHRAUBE       | 2                             |
| 12       | 12582101/0        | GROWER            | GROWER                | GROWER                   | GROWER         | 4                             |
| 13       | 12292100/0        | DADO              | NUT                   | ECROU                    | MUTTER         | 4                             |
| 14       | 12792099/0        | VITE              | SCREW                 | VIS                      | SCHRAUBE       | 1                             |
| 15       | 12154510/0        | DADO              | NUT                   | ECROU                    | MUTTER         | 1                             |



GRUPPO PARTI ELETTRICHE  
 ELECTRICAL PARTS GROUP  
 GROUPE PARTIES ELECTRIQUES  
 ELETRISCHETEILE

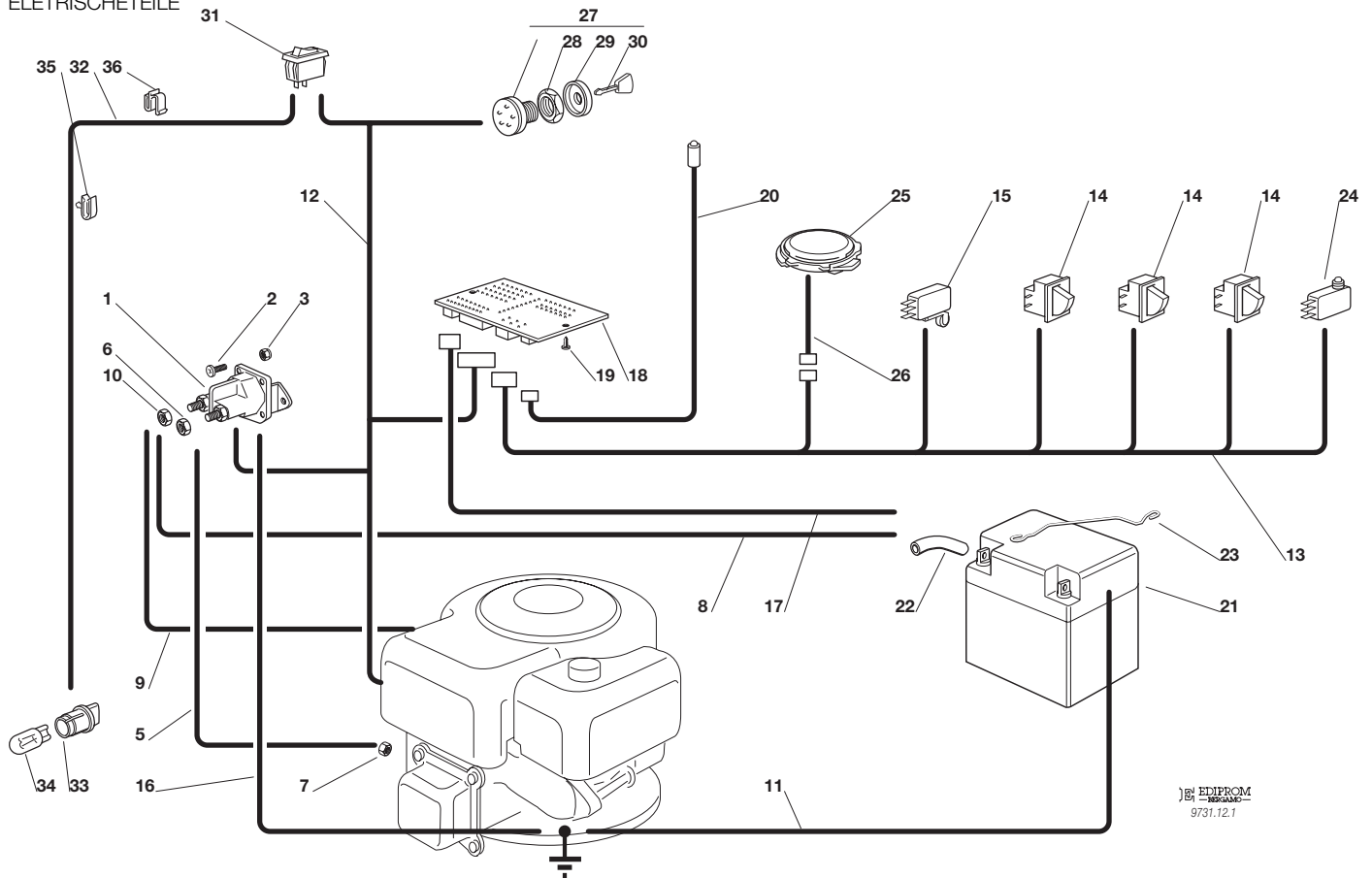


EDIPROM  
 9731.12

| Pos. Nr. | Codice Kodex Code | Descrizione           | Description         | Description           | Beschreibung        | Q.tà<br>Q.ty<br>Q.té<br>Menge |
|----------|-------------------|-----------------------|---------------------|-----------------------|---------------------|-------------------------------|
| 1        | 18736111/0        | SOLENOIDE             | SOLENOID            | SOLENOIDE             | SOLENOID            | 1                             |
| 2        | 12791213/0        | VITE                  | SCREW               | VIS                   | SCHRAUBE            | 2                             |
| 3        | 12292102/0        | DADO                  | NUT                 | ECROU                 | MUTTER              | 2                             |
| 5        | 25065017/0        | CABLAGGIO SOLEN. AVV. | CABLES ASS.Y        | ENS. CABLAGES         | KABELSATZ           | 1                             |
| 6        | 12360352/0        | DADO                  | NUT                 | ECROU                 | MUTTER              | 1                             |
| 7        | 12361005/0        | DADO                  | NUT                 | ECROU                 | MUTTER              | 1                             |
| 8        | 25065001/0        | CAVO BATT. SOLENOIDE  | CABLE               | CABLES                | KABEL               | 1                             |
| 9        | 25065012/0        | CAVO RICARICA         | CABLE               | CABLES                | KABEL               | 1                             |
| 10       | 12360352/0        | DADO                  | NUT                 | ECROU                 | MUTTER              | 1                             |
| 11       | 25065004/0        | CAVO MASSA BATTERIA   | CABLE               | CABLES                | KABEL               | 1                             |
| 12       | 82040037/1        | CABLAGGIO AVVIAMENTO  | CABLES ASS.Y        | ENS. CABLAGES         | KABELSATZ           | 1                             |
|          | 82040038/1        | 10,5 - 12,5 HP B&S    | 110,5 - 12,5 HP B&S | 10,5 - 12,5 HP B&S    | 10,5 - 12,5 HP B&S  |                               |
|          | 82040037/1        | 15,5 HP B&S           | 15,5 HP B&S         | 15,5 HP B&S           | 15,5 HP B&S         |                               |
|          | 82040037/1        | 11 - 13 HP TECUMSEH   | 11 - 13 HP TECUMSEH | 11 - 13 HP TECUMSEH   | 11 - 13 HP TECUMSEH |                               |
| 13       | 82040041/0        | CABLAGGIO MICRO       | CABLES ASS.Y        | ENS. CABLAGES         | KABELSATZ           | 1                             |
| 14       | 19410606/0        | MICRO INTERRUPTORE    | MICRO               | MICRO                 | MIKRO               | 2                             |
| 15       | 19410608/0        | INTERRUPTORE CAMBIO   | GEARBOX SWITCH      | INT. BOÎTE DE VITESSE | ANTRIEB SCHALTER    | 1                             |
| 16       | 25065018/0        | CAVO MASSA SOLENOIDE  | CABLE               | CABLES                | KABEL               | 1                             |
| 17       | 25065016/0        | CAVO ALIM. SCHEDA     | CABLE               | CABLES                | KABEL               | 1                             |
| 18       | 25722410/0        | SCHEDA ELETTRONICA    | ELECTRONIC CARD     | CARTE ELECTRONIQUE    | ELEKTRONISCHE KARTE | 1                             |
| 19       | 12735101/0        | VITE                  | SCREW               | VIS                   | SCHRAUBE            | 2                             |
| 20       | 25065014/1        | CAVO LED SEGNALEZIONE | CABLE               | CABLES                | KABEL               | 1                             |
| 21       | 18120002/0        | BATTERIA              | BATTERY             | BATTERIE              | BATTERIE            | 1                             |
| 22       | 31300002/0        | TUBO                  | PIPE                | TUYAU                 | ROHR                | 1                             |
| 23       | 25430230/0        | MOLLA                 | SPRING              | RESSORT               | FEDER               | 1                             |

| Pos. Nr. | Codice Kodex Code | Descrizione             | Description                      | Description            | Beschreibung         | Q.tà<br>Q.ty<br>Q.té<br>Menge |
|----------|-------------------|-------------------------|----------------------------------|------------------------|----------------------|-------------------------------|
| 24       | 25425000/1        | MICRO SACCO PIENO       | FULL GRASSCATCHER<br>MICROSWITCH | MICRO BAC PLEIN        | VOLLKORB VORRICHTUNG | 1                             |
| 25       | 19410607/0        | MICRO SEDILE            | MICRO                            | MICRO                  | MIKRO                | 1                             |
| 26       | 25065020/0        | CAVO MICRO SEDILE       | CABLE                            | CABLES                 | KABEL                | 1                             |
| 27       | 18450065/1        | INTERRUTTORE AVVIAMENTO | STARTING SWITCH                  | INTERRUPTEUR DEMARRAGE | SCHALTER             | 1                             |
| 28       | 18400861/0        | GHIERA                  | SCREWED RING                     | EMBOUT                 | NUTMUTTER            | 1                             |
| 29       | 18565351/0        | PROTEZIONE GHIERA       | SCREWED RING PROTECTION          | PROTECTION EMBOUT      | NUTMUTTER SCHUTZ     | 1                             |
| 30       | 18210016/0        | CHIAVE AVVIAMENTO       | STARTING KEY                     | CLEF A DEMARRAGE       | SCHLÜSSEL FÜR START  | 1                             |
| 31       | 18450060/0        | INTERRUTTORE            | FARILAMP SWITCH                  | INTERRUPTEUR PHARES    | LICHTEN SCHALTER     | 1                             |
| 32       | 82040036/0        | CAVO                    | CABLE                            | CABLES                 | KABEL                | 1                             |
| 33       | 33500030/0        | PORTALAMPADE            | LAMP HOLDER                      | DOUILLE DE LAMPE       | SCHEINWERFERLAMPE    | 2                             |
| 34       | 18459100/0        | LAMPADA                 | FARILAMP FOR LIGHTS              | LAMPE POUR PHARES      | LAMPENFASSUN         | 2                             |
| 35       | 33320506/0        | FERMACAVO               | FAIRLED                          | FIXATION CABLE         | KABELBEFESTIGUNG     | 1                             |
| 36       | 33320504/0        | FERMACAVO               | FAIRLED                          | FIXATION CABLE         | KABELBEFESTIGUNG     | 1                             |

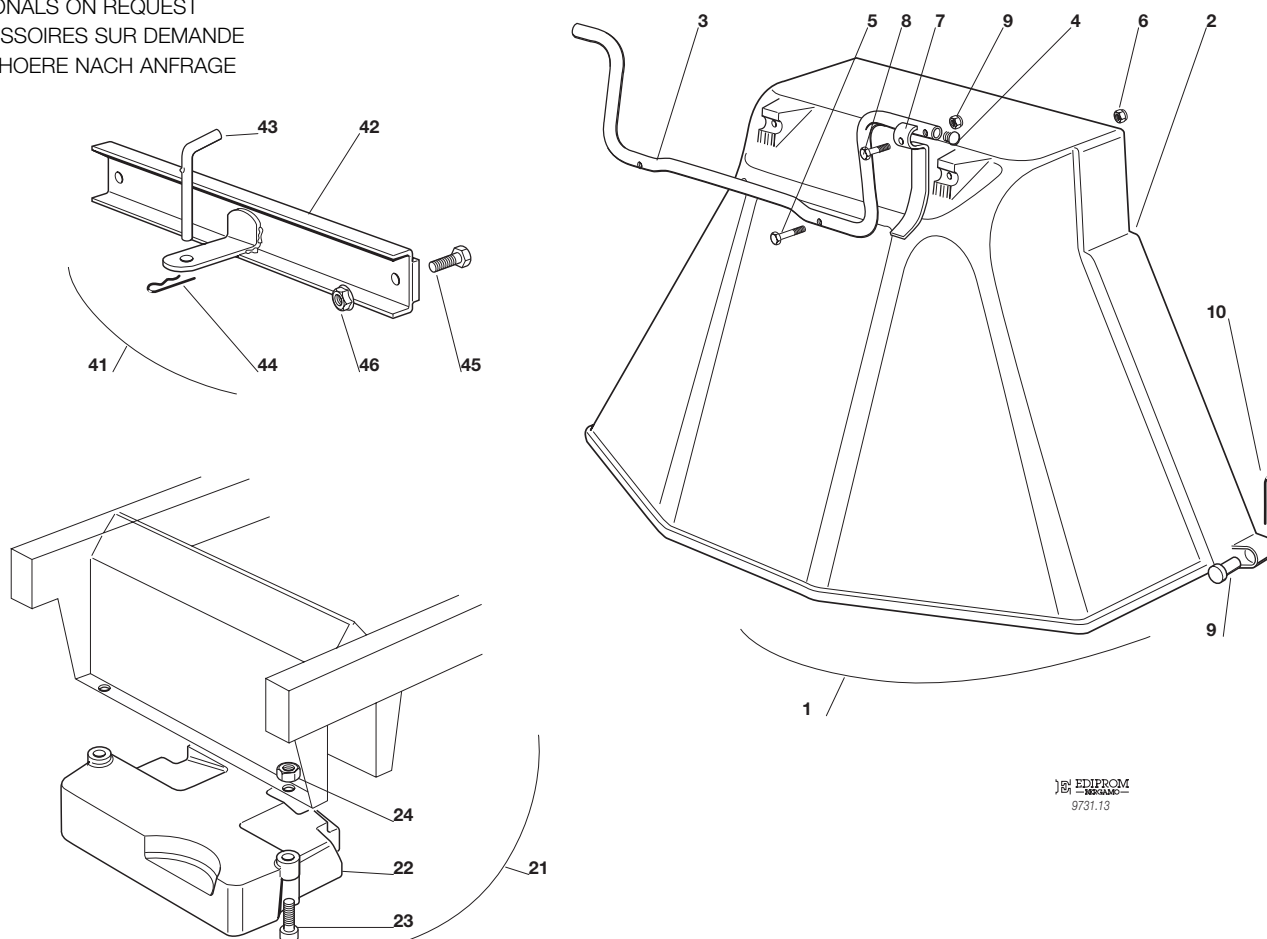
GRUPPO PARTI ELETTRICHE  
 ELECTRICAL PARTS GROUP  
 GROUPE PARTIES ELECTRIQUES  
 ELETRISCHETEILE



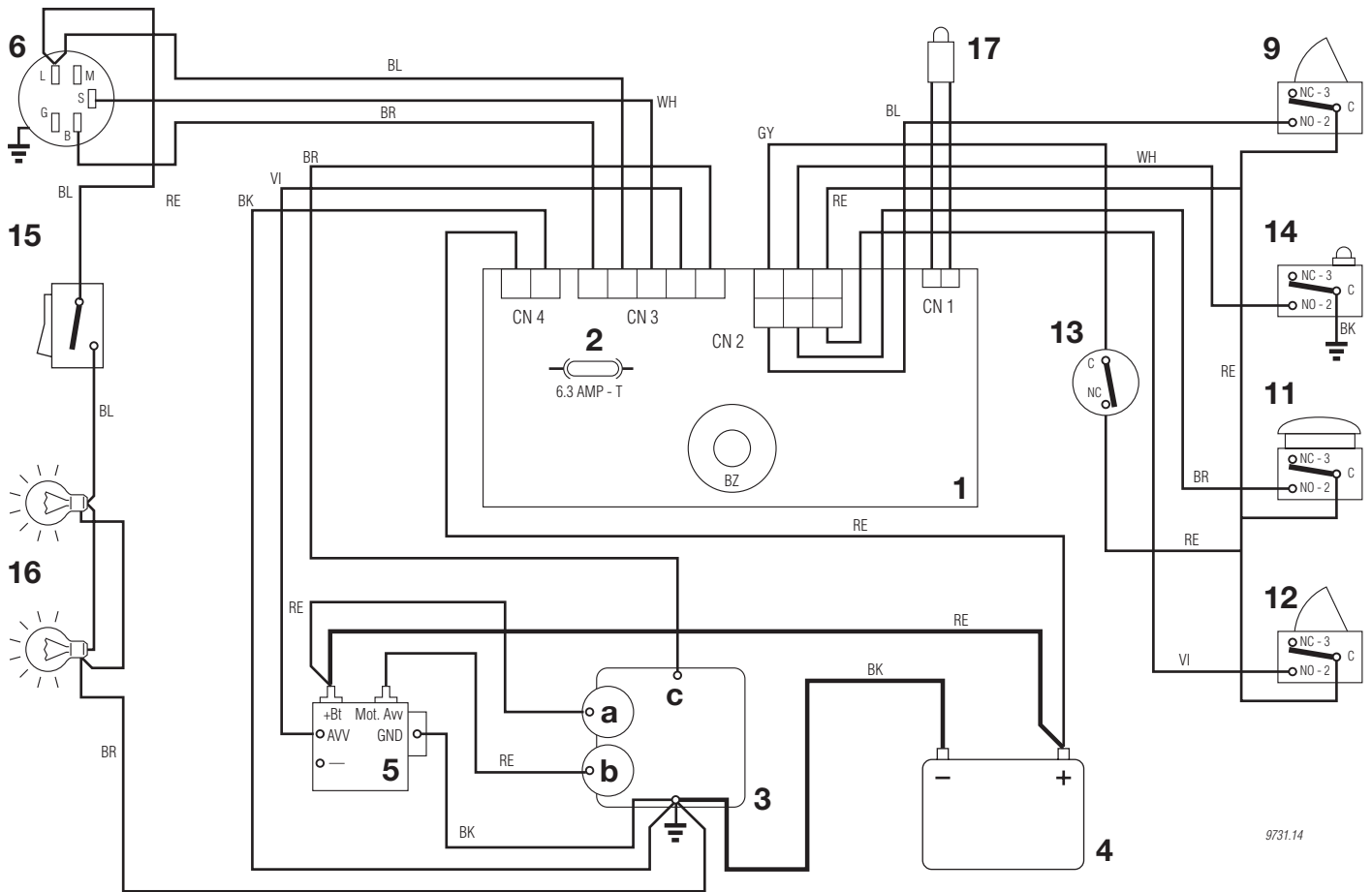
| Pos. Nr. | Codice Kodex Code | Descrizione           | Description         | Description         | Beschreibung        | Q.tà<br>Q.ty<br>Q.té<br>Menge |
|----------|-------------------|-----------------------|---------------------|---------------------|---------------------|-------------------------------|
| 1        | 18736111/0        | SOLENOIDE             | SOLENOID            | SOLENOIDE           | SOLENOID            | 1                             |
| 2        | 12791213/0        | VITE                  | SCREW               | VIS                 | SCHRAUBE            | 2                             |
| 3        | 12292102/0        | DADO                  | NUT                 | ECROU               | MUTTER              | 2                             |
| 5        | 25065017/0        | CABLAGGIO SOLEN. AVV. | CABLES ASS.Y        | ENS. CABLAGES       | KABELSATZ           | 1                             |
| 6        | 12360352/0        | DADO                  | NUT                 | ECROU               | MUTTER              | 1                             |
| 7        | 12361005/0        | DADO                  | NUT                 | ECROU               | MUTTER              | 1                             |
| 8        | 25065001/0        | CAVO BATT. SOLENOIDE  | CABLE               | CABLES              | KABEL               | 1                             |
| 9        | 25065012/0        | CAVO RICARICA         | CABLE               | CABLES              | KABEL               | 1                             |
| 10       | 12360352/0        | DADO                  | NUT                 | ECROU               | MUTTER              | 1                             |
| 11       | 25065004/0        | CAVO MASSA BATTERIA   | CABLE               | CABLES              | KABEL               | 1                             |
| 12       | ←                 | CABLAGGIO AVVIAMENTO  | CABLES ASS.Y        | ENS. CABLAGES       | KABELSATZ           | 1                             |
|          | 82040037/1        | 10,5 - 12,5 HP B&S    | 110,5 - 12,5 HP B&S | 10,5 - 12,5 HP B&S  | 10,5 - 12,5 HP B&S  |                               |
|          | 82040038/1        | 15,5 HP B&S           | 15,5 HP B&S         | 15,5 HP B&S         | 15,5 HP B&S         |                               |
|          | 82040037/1        | 11 - 13 HP TECUMSEH   | 11 - 13 HP TECUMSEH | 11 - 13 HP TECUMSEH | 11 - 13 HP TECUMSEH |                               |
| 13       | 82040047/0        | CABLAGGIO MICRO       | CABLES ASS.Y        | ENS. CABLAGES       | KABELSATZ           | 1                             |
| 14       | 19410606/0        | MICRO INTERRUPTORE    | MICRO               | MICRO               | MIKRO               | 3                             |
| 15       | 19410609/0        | MICRO INTERRUPTORE    | MICRO               | MICRO               | MIKRO               | 1                             |
| 16       | 25065018/0        | CAVO MASSA SOLENOIDE  | CABLE               | CABLES              | KABEL               | 1                             |
| 17       | 25065021/0        | CAVO ALIM. SCHEDA     | CABLE               | CABLES              | KABEL               | 1                             |
| 18       | 25722411/0        | SCHEDA ELETTRONICA    | ELECTRONIC CARD     | CARTE ELECTRONIQUE  | ELEKTRONISCHE KARTE | 1                             |
| 19       | 12735101/0        | VITE                  | SCREW               | VIS                 | SCHRAUBE            | 2                             |
| 20       | 25065014/1        | CAVO LED SEGNALEZIONE | CABLE               | CABLES              | KABEL               | 1                             |
| 21       | 18120002/0        | BATTERIA              | BATTERY             | BATTERIE            | BATTERIE            | 1                             |
| 22       | 31300002/0        | TUBO                  | PIPE                | TUYAU               | ROHR                | 1                             |
| 23       | 25430230/0        | MOLLA                 | SPRING              | RESSORT             | FEDER               | 1                             |

| Pos. Nr. | Codice Kodex Code | Descrizione             | Description                      | Description            | Beschreibung         | Q.tà<br>Q.ty<br>Q.té<br>Menge |
|----------|-------------------|-------------------------|----------------------------------|------------------------|----------------------|-------------------------------|
| 24       | 25425000/1        | MICRO SACCO PIENO       | FULL GRASSCATCHER<br>MICROSWITCH | MICRO BAC PLEIN        | VOLLKORB VORRICHTUNG | 1                             |
| 25       | 19410607/0        | MICRO SEDILE            | MICRO                            | MICRO                  | MIKRO                | 1                             |
| 26       | 25065020/0        | CAVO MICRO SEDILE       | CABLE                            | CABLES                 | KABEL                | 1                             |
| 27       | 18450065/1        | INTERRUTTORE AVVIAMENTO | STARTING SWITCH                  | INTERRUPTEUR DEMARRAGE | SCHALTER             | 1                             |
| 28       | 18400861/0        | GHIERA                  | SCREWED RING                     | EMBOUT                 | NUTMUTTER            | 1                             |
| 29       | 18565351/0        | PROTEZIONE GHIERA       | SCREWED RING PROTECTION          | PROTECTION EMBOUT      | NUTMUTTER SCHUTZ     | 1                             |
| 30       | 18210016/0        | CHIAVE AVVIAMENTO       | STARTING KEY                     | CLEF A DEMARRAGE       | SCHLÜSSEL FÜR START  | 1                             |
| 31       | 18450060/0        | INTERRUTTORE            | FARILAMP SWITCH                  | INTERRUPTEUR PHARES    | LICHTEN SCHALTER     | 1                             |
| 32       | 82040036/0        | CAVO                    | CABLE                            | CABLES                 | KABEL                | 1                             |
| 33       | 33500030/0        | PORTALAMPADE            | LAMP HOLDER                      | DOUILLE DE LAMPE       | SCHEINWERFERLAMPE    | 2                             |
| 34       | 18459100/0        | LAMPADA                 | FARILAMP FOR LIGHTS              | LAMPE POUR PHARES      | LAMPENFASSUN         | 2                             |
| 35       | 33320506/0        | FERMACAVO               | FAIRLED                          | FIXATION CABLE         | KABELBEFESTIGUNG     | 1                             |
| 36       | 33320504/0        | FERMACAVO               | FAIRLED                          | FIXATION CABLE         | KABELBEFESTIGUNG     | 1                             |

ACCESSORI A RICHIESTA  
 OPTIONALS ON REQUEST  
 ACCESSOIRES SUR DEMANDE  
 ZUBEHOERE NACH ANFRAGE



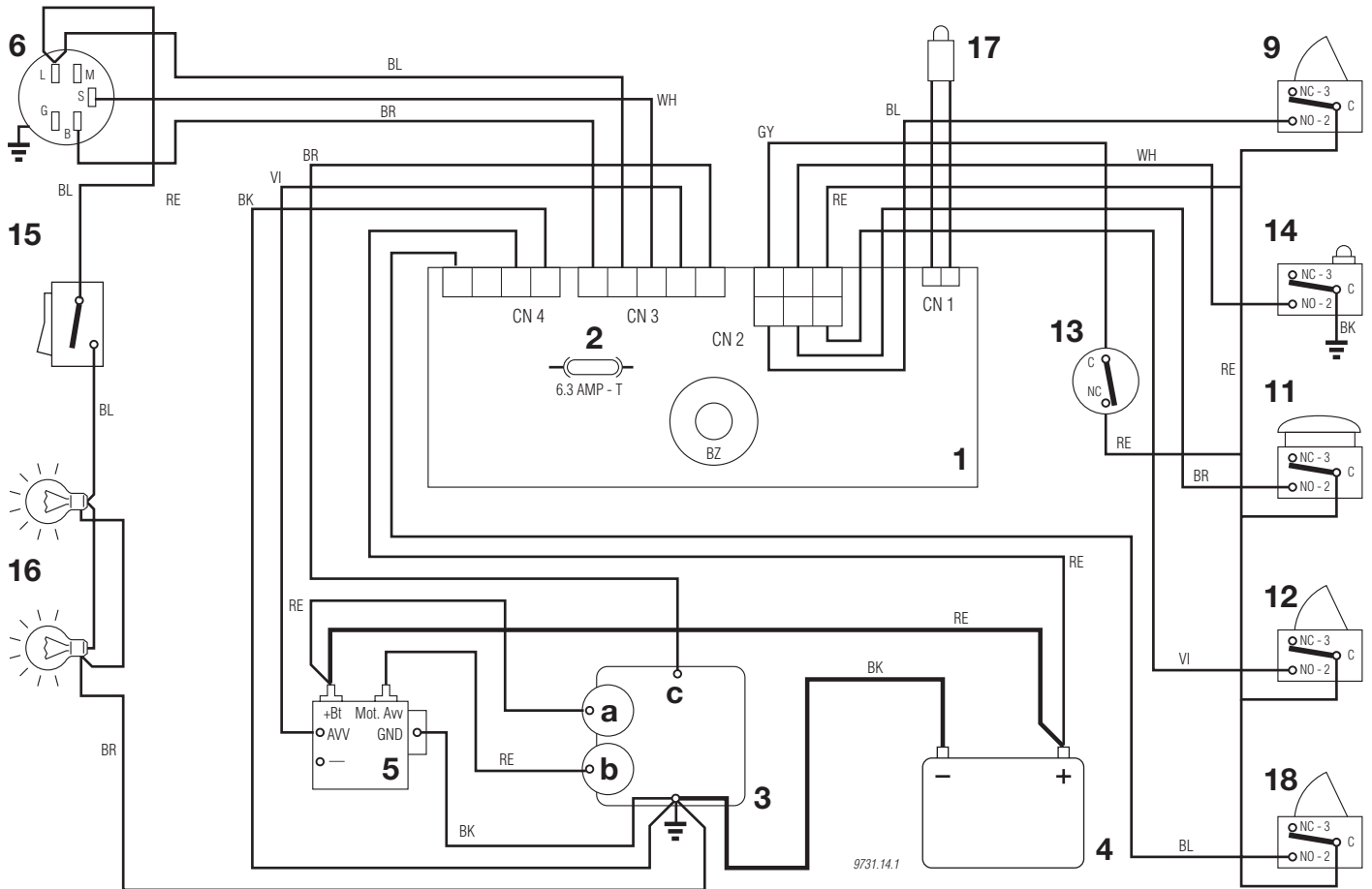
| Pos. Nr. | Codice Kodex Code | Descrizione                | Description          | Description           | Beschreibung                  | Q.tà<br>Q.ty<br>Q.té<br>Menge |
|----------|-------------------|----------------------------|----------------------|-----------------------|-------------------------------|-------------------------------|
| 1        | 99900050/0        | ASS. KIT PROTEZIONE USCITA | EJECTION-GUARD ASS.Y | KIT PROTECTION SORTIE | VORRICHTUNG FÜR AUSWURESCHUTZ | 1                             |
| 2        | 25600032/0        | PROTEZIONE USCITA          | EJECTION GUARD       | PROTECTION SORTIE     | AUSWURFSCHUTZ                 | 1                             |
| 3        | 25869031/0        | TUBO DI AGGANCIO           | SUPPORT              | SOPPORT               | HALTER                        | 1                             |
| 4        | 18566113/0        | PUNTALE                    | CAP                  | BOUCHON               | PFROPFEN                      | 2                             |
| 4        | 12674701/0        | VITE                       | SCREW                | VIS                   | SCHRAUBE                      | 2                             |
| 5        | 12154510/0        | DADO                       | NUT                  | ECROU                 | MUTTER                        | 2                             |
| 6        | 25547053/0        | PIASTRINA                  | PLATE                | PLAQUETTE             | PLÄTTCHEN                     | 1                             |
| 7        | 12791500/0        | VITE                       | SCREW                | VIS                   | SCHRAUBE                      | 1                             |
| 8        | 12154510/0        | DADO                       | NUT                  | ECROU                 | MUTTER                        | 1                             |
| 9        | 25510022/0        | PERNO                      | PIN                  | PIVOT                 | BOLZEN                        | 2                             |
| 10       | 24487998/0        | COPPIGLIA                  | COTTER PIN           | GOUPILLE              | SPLIT                         | 2                             |
| 21       | 99900030/3        | ASS. KIT PESO ANT.         | FRONT WEIGHT KIT     | KIT POIDS ANTERIEUR   | VORDERGEWICHT VORRICHTUNG     | 1                             |
| 22       | 25519999/2        | PESO                       | WEIGHT               | POIDS                 | GEWICHT                       | 1                             |
| 23       | 12760510/0        | VITE                       | SCREW                | VIS                   | SCHRAUBE                      | 3                             |
| 24       | 12155000/0        | DADO                       | NUT                  | ECROU                 | MUTTER                        | 3                             |
| 41       | 99900080/0        | ASS. KIT TRAINO            | HITCH KIT            | KIT DE TRAINAGE       | ZUGVORRICHTUNG                | 1                             |
| 42       | 82033103/0        | BARRA                      | ROD                  | BARRE                 | STANGE                        | 1                             |
| 43       | 25510021/0        | PERNO                      | PIN                  | PIVOT                 | BOLZEN                        | 1                             |
| 44       | 24487999/0        | COPPIGLIA                  | COTTER PIN           | GOUPILLE              | SPLIT                         | 1                             |
| 45       | 12793301/0        | VITE                       | SCREW                | VIS                   | SCHRAUBE                      | 2                             |
| 46       | 12293201/0        | DADO                       | NUT                  | ECROU                 | MUTTER                        | 2                             |
| -        | 18737950/0        | TELO DI COPERTURA          | CLOTH                | BÂCHE                 | PLANE                         | 1                             |



9731.14

|           |                                  |                                   |                                   |                                      |
|-----------|----------------------------------|-----------------------------------|-----------------------------------|--------------------------------------|
| <b>1</b>  | SCHEDA<br>CON BUZZER             | ELECTRONIC CARD<br>WITH BUZZER    | CARTE ELECTRONIQUE<br>AVEC BUZZER | ELECTRONISCHE KARTE<br>MIT BUZZER    |
| <b>2</b>  | FUSIBILE 6,3 Amp. T              | FUSE 6.3 Amp. T                   | FUSIBLE 6,3 Amp. T                | SICHERUNG 6,3 Amp. T                 |
| <b>3</b>  | MOTORE                           | ENGINE                            | MOTEUR                            | MOTOR                                |
| <b>3a</b> | Generatore                       | Generator                         | Genérateur                        | Generator                            |
| <b>3b</b> | Motorino avviamento              | Starter                           | Demarreur                         | Anlasser                             |
| <b>3c</b> | Stop motore                      | Engine stop                       | Calage du moteur                  | Motor abstellung                     |
| <b>4</b>  | BATTERIA                         | BATTERY                           | BATTERIE                          | BATTERIE                             |
| <b>5</b>  | RELE AVVIAMENTO                  | STARTER RELAY                     | RELAIS DE DEMARRAGE               | ANLASSER RELAIS                      |
| <b>6</b>  | INTERRUTTORE A CHIAVE            | ELECTROLOCK                       | INTERRUPTEUR D'ALLUMAGE           | SCHLÜSSELSCHALTER                    |
| <b>9</b>  | MICROINTERRUTTORE LAME           | BLADES MICRO SWITCH               | MICRO INTERRUPTEUR LAMES          | MESSER MIKROSCHALTER                 |
| <b>11</b> | MICROINTERRUTTORE SEDILE         | SEAT MICRO SWITCH                 | MICRO INTERRUPTEUR SIEGE          | SITZMIKROSCHALTER                    |
| <b>12</b> | MICROINTERRUTTORE SACCO          | GRASSCATCHER MICRO SWITCH         | MICRO INTERRUPTEUR BAC            | GRASFANGEINRICHTUNG<br>MIKROSCHALTER |
| <b>13</b> | MICROINTERRUTTORE CAMBIO         | GERARBOX MICROSWITCH              | MICRO INT. BOÎTE DE VITESSE       | ANTRIEB MICROSCHALTER                |
| <b>14</b> | MICROINTERRUTTORE SACCO<br>PIENO | FULL GRASSCATCHER MICRO<br>SWITCH | MICRO BAC PLEIN                   | VOLLKORB VORRICHTUNG                 |
| <b>15</b> | INTERRUTTORE FARI                | HEADLIGHT SWITCH                  | INTERRUPTEUR PHARES               | LICHTSCHALTER                        |
| <b>16</b> | FARI                             | HEADLIGHT                         | PHARES                            | LICHT                                |
| <b>17</b> | SPIA                             | WARNING LIGHT                     | VOYANT                            | KONTROLLAMPE                         |

| COLORI CAVI |              | CABLE COLOURS |            | COULEUR CABLES |  | KABEL FARBEN |  |
|-------------|--------------|---------------|------------|----------------|--|--------------|--|
| <b>BK</b>   | NERO         | BLACK         | NOIR       | SCHWARZ        |  |              |  |
| <b>BL</b>   | BLU          | BLUE          | BLEU       | BLAU           |  |              |  |
| <b>BR</b>   | MARRONE      | BROWN         | BUN        | BRAUN          |  |              |  |
| <b>GY</b>   | GRIGIO       | GREY          | GRIS       | GRAU           |  |              |  |
| <b>RE</b>   | ROSSO        | RED           | ROUGE      | ROT            |  |              |  |
| <b>VI</b>   | VIOLA        | VIOLET        | VIOLEY     | VIOLETT        |  |              |  |
| <b>YG</b>   | GIALLO/VERDE | YELLOW/GREEN  | JAUNE/VERT | GELB/GRÜN      |  |              |  |
| <b>WH</b>   | BIANCO       | WHITE         | BLANC      | WEISS          |  |              |  |



|           |                                  |                                   |                                   |                                      |
|-----------|----------------------------------|-----------------------------------|-----------------------------------|--------------------------------------|
| <b>1</b>  | SCHEDA<br>CON BUZZER             | ELECTRONIC CARD<br>WITH BUZZER    | CARTE ELECTRONIQUE<br>AVEC BUZZER | ELECTRONISCHE KARTE<br>MIT BUZZER    |
| <b>2</b>  | FUSIBILE 6,3 Amp. T              | FUSE 6.3 Amp. T                   | FUSIBLE 6,3 Amp. T                | SICHERUNG 6,3 Amp. T                 |
| <b>3</b>  | MOTORE                           | ENGINE                            | MOTEUR                            | MOTOR                                |
| <b>3a</b> | Generatore                       | Generator                         | Genérateur                        | Generator                            |
| <b>3b</b> | Motorino avviamento              | Starter                           | Demarreur                         | Anlasser                             |
| <b>3c</b> | Stop motore                      | Engine stop                       | Calage du moteur                  | Motor abstellung                     |
| <b>4</b>  | BATTERIA                         | BATTERY                           | BATTERIE                          | BATTERIE                             |
| <b>5</b>  | RELE AVVIAMENTO                  | STARTER RELAY                     | RELAIS DE DEMARRAGE               | ANLASSER RELAIS                      |
| <b>6</b>  | INTERRUTTORE A CHIAVE            | ELECTROLOCK                       | INTERRUPTEUR D'ALLUMAGE           | SCHLÜSSELSCHALTER                    |
| <b>9</b>  | MICROINTERRUTTORE LAME           | BLADES MICRO SWITCH               | MICRO INTERRUPTEUR LAMES          | MESSER MIKROSCHALTER                 |
| <b>11</b> | MICROINTERRUTTORE SEDILE         | SEAT MICRO SWITCH                 | MICRO INTERRUPTEUR SIEGE          | SITZMIKROSCHALTER                    |
| <b>12</b> | MICROINTERRUTTORE SACCO          | GRASSCATCHER MICRO SWITCH         | MICRO INTERRUPTEUR BAC            | GRASFANGEINRICHTUNG<br>MIKROSCHALTER |
| <b>13</b> | MICROINTERRUTTORE FOLLE          | NEUTRAL MICROSWITCH               | MICRO INT. POINT MORT             | LEERLAUF MICROSWITCHER               |
| <b>14</b> | MICROINTERRUTTORE SACCO<br>PIENO | FULL GRASSCATCHER MICRO<br>SWITCH | MICRO BAC PLEIN                   | VOLLKORB VORRICHTUNG                 |
| <b>15</b> | INTERRUTTORE FARI                | HEADLIGHT SWITCH                  | INTERRUPTEUR PHARES               | LICHTSCHALTER                        |
| <b>16</b> | FARI                             | HEADLIGHT                         | PHARES                            | LICHT                                |
| <b>17</b> | SPIA                             | WARNING LIGHT                     | VOYANT                            | KONTROLLAMPE                         |
| <b>18</b> | MICROINTERRUTTORE FRENO          | BRAKE MICRO SWITCH                | MICRO INTERRUPTEUR FREIN          | BREMSE MIKROSCHALTER                 |

**COLORI CAVI**

|           |              |
|-----------|--------------|
| <b>BK</b> | NERO         |
| <b>BL</b> | BLU          |
| <b>BR</b> | MARRONE      |
| <b>GY</b> | GRIGIO       |
| <b>RE</b> | ROSSO        |
| <b>VI</b> | VIOLA        |
| <b>YG</b> | GIALLO/VERDE |
| <b>WH</b> | BIANCO       |

**CABLE COLOURS**

|                     |
|---------------------|
| <b>BLACK</b>        |
| <b>BLUE</b>         |
| <b>BROWN</b>        |
| <b>GREY</b>         |
| <b>RED</b>          |
| <b>VIOLET</b>       |
| <b>YELLOW/GREEN</b> |
| <b>WHITE</b>        |

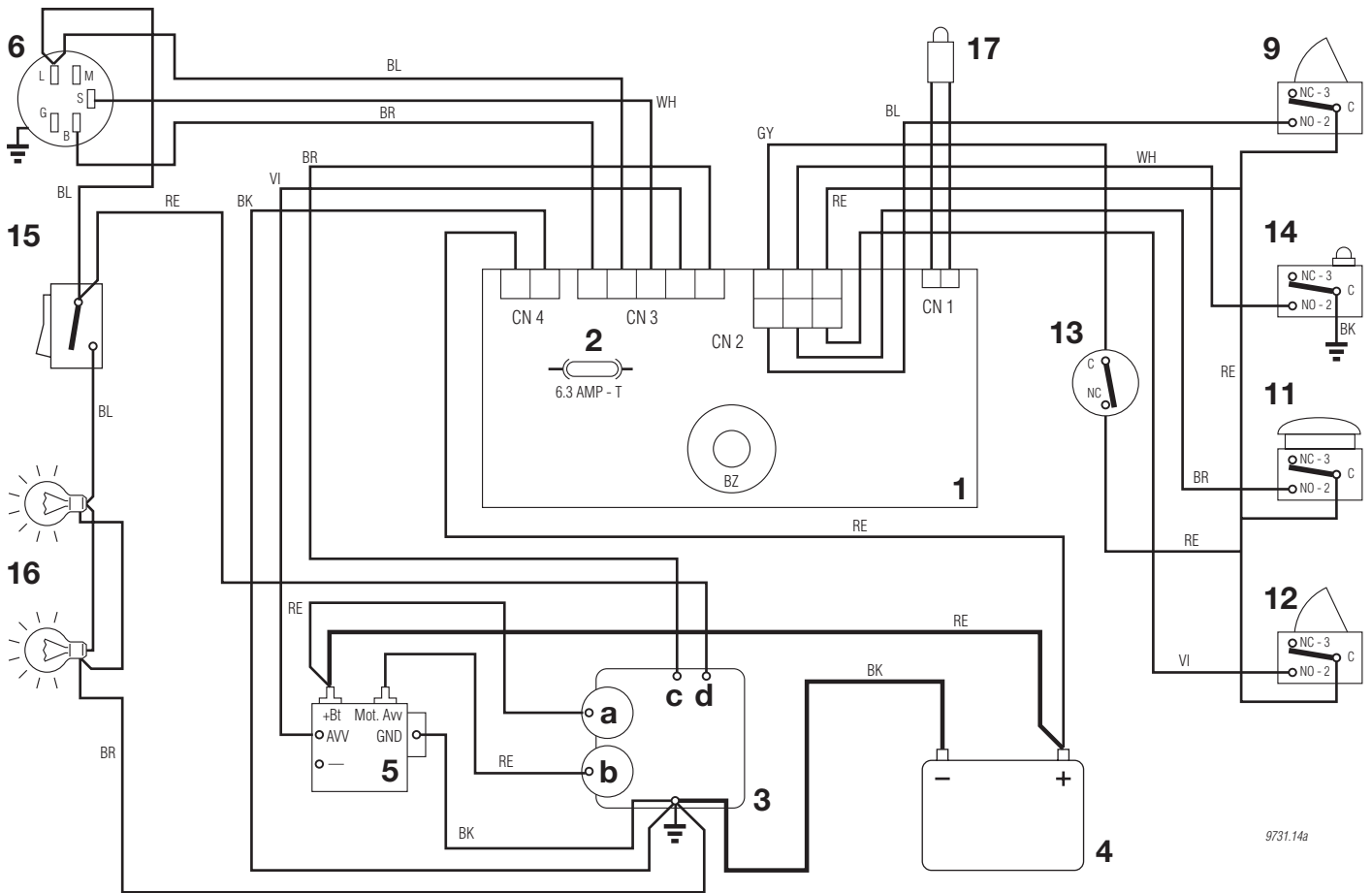
**COULEUR CABLES**

|                   |
|-------------------|
| <b>NOIR</b>       |
| <b>BLEU</b>       |
| <b>BUN</b>        |
| <b>GRIS</b>       |
| <b>ROUGE</b>      |
| <b>VIOLEY</b>     |
| <b>JAUNE/VERT</b> |
| <b>BLANC</b>      |

**KABEL FARBEN**

|                  |
|------------------|
| <b>SCHWARZ</b>   |
| <b>BLAU</b>      |
| <b>BRAUN</b>     |
| <b>GRAU</b>      |
| <b>ROT</b>       |
| <b>VIOLETT</b>   |
| <b>GELB/GRÜN</b> |
| <b>WEISS</b>     |





9731.14a

|           |                                  |                                   |                                   |                                      |
|-----------|----------------------------------|-----------------------------------|-----------------------------------|--------------------------------------|
| <b>1</b>  | SCHEDA<br>CON BUZZER             | ELECTRONIC CARD<br>WITH BUZZER    | CARTE ELECTRONIQUE<br>AVEC BUZZER | ELECTRONISCHE KARTE<br>MIT BUZZER    |
| <b>2</b>  | FUSIBILE 6,3 Amp. T              | FUSE 6.3 Amp. T                   | FUSIBLE 6,3 Amp. T                | SICHERUNG 6,3 Amp. T                 |
| <b>3</b>  | MOTORE                           | ENGINE                            | MOTEUR                            | MOTOR                                |
| <b>3a</b> | Generatore                       | Generator                         | Genérateur                        | Generator                            |
| <b>3b</b> | Motorino avviamento              | Starter                           | Demarreur                         | Anlasser                             |
| <b>3c</b> | Stop motore                      | Engine stop                       | Calage du moteur                  | Motor abstellung                     |
| <b>3d</b> | Carburatore                      | Carburetor                        | Carburateur                       | Vergaser                             |
| <b>4</b>  | BATTERIA                         | BATTERY                           | BATTERIE                          | BATTERIE                             |
| <b>5</b>  | RELE AVVIAMENTO                  | STARTER RELAY                     | RELAIS DE DEMARRAGE               | ANLASSER RELAIS                      |
| <b>6</b>  | INTERRUTTORE A CHIAVE            | ELECTROLOCK                       | INTERRUPTEUR D'ALLUMAGE           | SCHLÜSSELSCHALTER                    |
| <b>9</b>  | MICROINTERRUTTORE LAME           | BLADES MICRO SWITCH               | MICRO INTERRUPTEUR LAMES          | MESSER MIKROSCHALTER                 |
| <b>11</b> | MICROINTERRUTTORE SEDILE         | SEAT MICRO SWITCH                 | MICRO INTERRUPTEUR SIEGE          | SITZMIKROSCHALTER                    |
| <b>12</b> | MICROINTERRUTTORE SACCO          | GRASSCATCHER MICRO SWITCH         | MICRO INTERRUPTEUR BAC            | GRASFANGEINRICHTUNG<br>MIKROSCHALTER |
| <b>13</b> | MICROINTERRUTTORE CAMBIO         | GERARBOX MICROSWITCH              | MICRO INT. BOÎTE DE VITESSE       | ANTRIEB MICROSWITCH                  |
| <b>14</b> | MICROINTERRUTTORE SACCO<br>PIENO | FULL GRASSCATCHER MICRO<br>SWITCH | MICRO BAC PLEIN                   | VOLLKORB VORRICHTUNG                 |
| <b>15</b> | INTERRUTTORE FARI                | HEADLIGHT SWITCH                  | INTERRUPTEUR PHARES               | LICHTSCHALTER                        |
| <b>16</b> | FARI                             | HEADLIGHT                         | PHARES                            | LICHT                                |
| <b>17</b> | SPIA                             | WARNING LIGHT                     | VOYANT                            | KONTROLLAMPE                         |

**COLORI CAVI**

|           |              |
|-----------|--------------|
| <b>BK</b> | NERO         |
| <b>BL</b> | BLU          |
| <b>BR</b> | MARRONE      |
| <b>GY</b> | GRIGIO       |
| <b>RE</b> | ROSSO        |
| <b>VI</b> | VIOLA        |
| <b>YG</b> | GIALLO/VERDE |
| <b>WH</b> | BIANCO       |

**CABLE COLOURS**

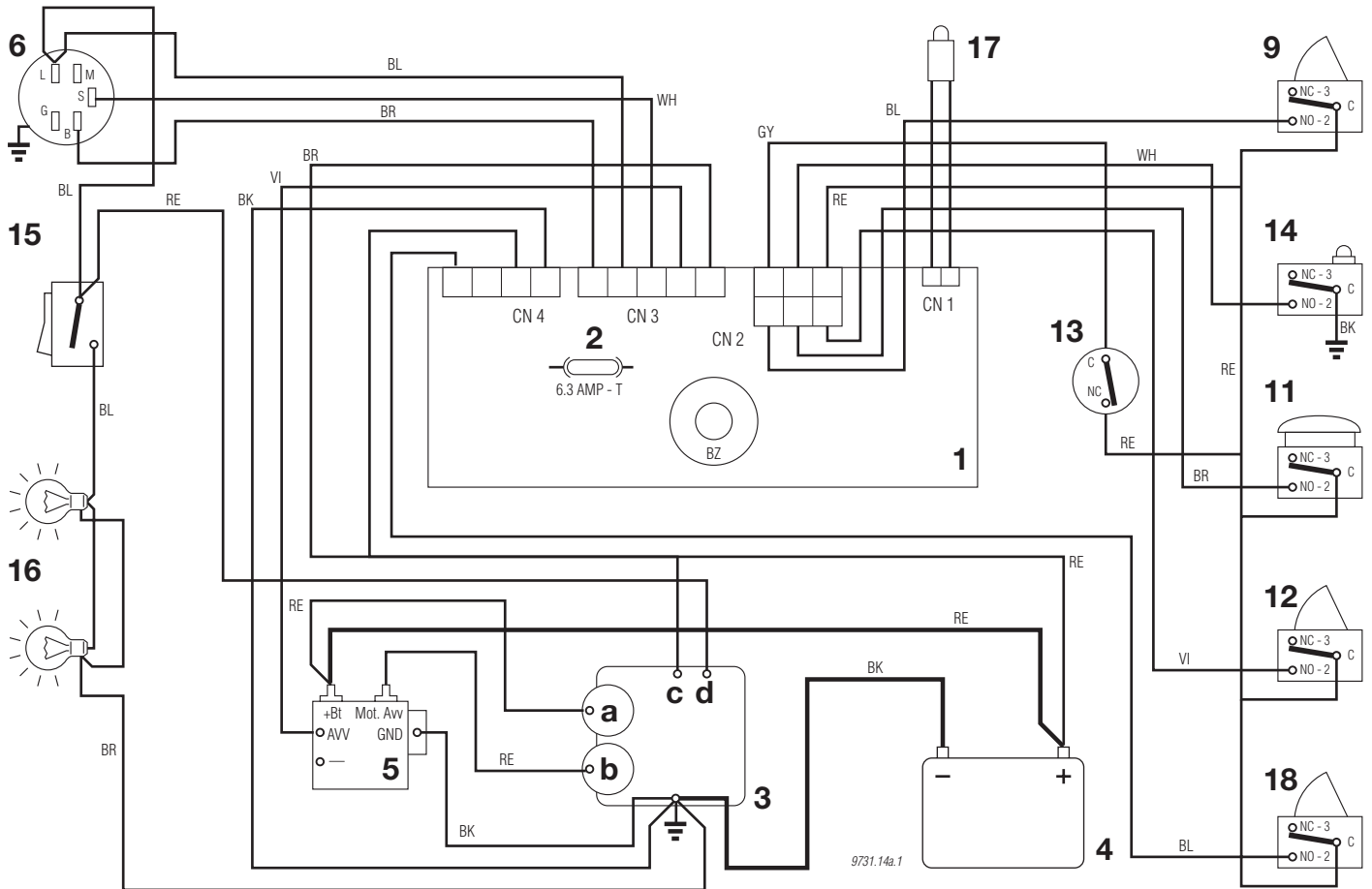
|              |
|--------------|
| BLACK        |
| BLUE         |
| BROWN        |
| GREY         |
| RED          |
| VIOLET       |
| YELLOW/GREEN |
| WHITE        |

**COULEUR CABLES**

|            |
|------------|
| NOIR       |
| BLEU       |
| BUN        |
| GRIS       |
| ROUGE      |
| VIOLEY     |
| JAUNE/VERT |
| BLANC      |

**KABEL FARBEN**

|           |
|-----------|
| SCHWARZ   |
| BLAU      |
| BRAUN     |
| GRAU      |
| ROT       |
| VIOLETT   |
| GELB/GRÜN |
| WEISS     |



|           |                                  |                                   |                                   |                                      |
|-----------|----------------------------------|-----------------------------------|-----------------------------------|--------------------------------------|
| <b>1</b>  | SCHEDA<br>CON BUZZER             | ELECTRONIC CARD<br>WITH BUZZER    | CARTE ELECTRONIQUE<br>AVEC BUZZER | ELECTRONISCHE KARTE<br>MIT BUZZER    |
| <b>2</b>  | FUSIBILE 6,3 Amp. T              | FUSE 6.3 Amp. T                   | FUSIBLE 6,3 Amp. T                | SICHERUNG 6,3 Amp. T                 |
| <b>3</b>  | MOTORE                           | ENGINE                            | MOTEUR                            | MOTOR                                |
| <b>3a</b> | Generatore                       | Generator                         | Genérateur                        | Generator                            |
| <b>3b</b> | Motorino avviamento              | Starter                           | Demarreur                         | Anlasser                             |
| <b>3c</b> | Stop motore                      | Engine stop                       | Calage du moteur                  | Motor abstellung                     |
| <b>4</b>  | BATTERIA                         | BATTERY                           | BATTERIE                          | BATTERIE                             |
| <b>5</b>  | RELE AVVIAMENTO                  | STARTER RELAY                     | RELAIS DE DEMARRAGE               | ANLASSER RELAIS                      |
| <b>6</b>  | INTERRUTTORE A CHIAVE            | ELECTROLOCK                       | INTERRUPTEUR D'ALLUMAGE           | SCHLÜSSELSCHALTER                    |
| <b>9</b>  | MICROINTERRUTTORE LAME           | BLADES MICRO SWITCH               | MICRO INTERRUPTEUR LAMES          | MESSER MIKROSCHALTER                 |
| <b>11</b> | MICROINTERRUTTORE SEDILE         | SEAT MICRO SWITCH                 | MICRO INTERRUPTEUR SIEGE          | SITZMIKROSCHALTER                    |
| <b>12</b> | MICROINTERRUTTORE SACCO          | GRASSCATCHER MICRO SWITCH         | MICRO INTERRUPTEUR BAC            | GRASFANGEINRICHTUNG<br>MIKROSCHALTER |
| <b>13</b> | MICROINTERRUTTORE FOLLE          | NEUTRAL MICROSWITCH               | MICRO INT. POINT MORT             | LEERLAUF MIKROSCHALTER               |
| <b>14</b> | MICROINTERRUTTORE SACCO<br>PIENO | FULL GRASSCATCHER MICRO<br>SWITCH | MICRO BAC PLEIN                   | VOLLKORB VORRICHTUNG                 |
| <b>15</b> | INTERRUTTORE FARI                | HEADLIGHT SWITCH                  | INTERRUPTEUR PHARES               | LICHTSCHALTER                        |
| <b>16</b> | FARI                             | HEADLIGHT                         | PHARES                            | LICHT                                |
| <b>17</b> | SPIA                             | WARNING LIGHT                     | VOYANT                            | KONTROLLAMPE                         |
| <b>18</b> | MICROINTERRUTTORE FRENO          | BRAKE MICRO SWITCH                | MICRO INTERRUPTEUR FREIN          | BREMSE MIKROSCHALTER                 |

**COLORI CAVI**

|           |              |
|-----------|--------------|
| <b>BK</b> | NERO         |
| <b>BL</b> | BLU          |
| <b>BR</b> | MARRONE      |
| <b>GY</b> | GRIGIO       |
| <b>RE</b> | ROSSO        |
| <b>VI</b> | VIOLA        |
| <b>YG</b> | GIALLO/VERDE |
| <b>WH</b> | BIANCO       |

**CABLE COLOURS**

|                     |
|---------------------|
| <b>BLACK</b>        |
| <b>BLUE</b>         |
| <b>BROWN</b>        |
| <b>GREY</b>         |
| <b>RED</b>          |
| <b>VIOLET</b>       |
| <b>YELLOW/GREEN</b> |
| <b>WHITE</b>        |

**COULEUR CABLES**

|                   |
|-------------------|
| <b>NOIR</b>       |
| <b>BLEU</b>       |
| <b>BUN</b>        |
| <b>GRIS</b>       |
| <b>ROUGE</b>      |
| <b>VIOLEY</b>     |
| <b>JAUNE/VERT</b> |
| <b>BLANC</b>      |

**KABEL FARBEN**

|                  |
|------------------|
| <b>SCHWARZ</b>   |
| <b>BLAU</b>      |
| <b>BRAUN</b>     |
| <b>GRAU</b>      |
| <b>ROT</b>       |
| <b>VIOLETT</b>   |
| <b>GELB/GRÜN</b> |
| <b>WEISS</b>     |