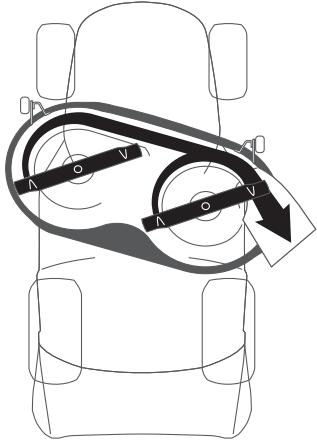
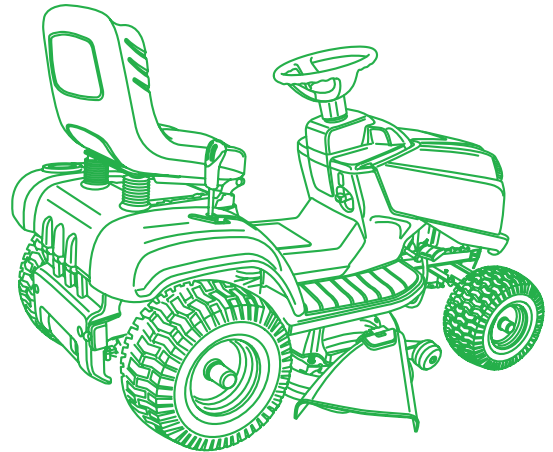


Genuine Spare Parts



98
108



Catalogo delle parti di ricambio
Spare parts catalogue
Catalogue des pieces de rechange
Ersatzteilkatalog

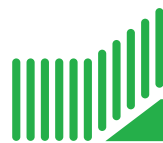
2011

- Use GLOBAL GARDEN PRODUCT Genuine Spare Parts specified in the parts list for repair and/or replacement.
- The contents described in the parts list may change due to improvement.
- The drawings of the spare parts are only indicative and might not represent the part in question exactly.
- The indications "right" - "left" - "front" - "rear" refer to the position of the operator when using the machine.
- When placing orders of parts for repair and/or replacement, make sure that the illustrated parts list is the one applying to the machine's year of manufacture, as shown on the identification plate attached to the machine.

© Copyright 2011 Global Garden Products

All content is subject to copyright by Global Garden Products and may not be reproduced in whole or in part by any means, electronic or otherwise, without prior written approval.

THIS INFORMATION IS NOT INTENDED FOR SALE OR RESALE, AND THIS NOTICE MUST REMAIN ON ALL COPIES.



GLOBAL GARDEN PRODUCTS

SD

98

98 *hy*

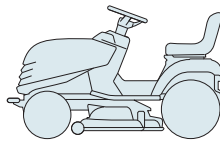
108

108 *hy*

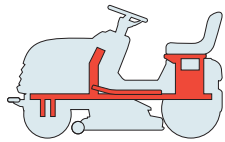
CATALOGO DELLE PARTI DI RICAMBIO
SPARE PARTS CATALOGUE
CATALOGUE DES PIECES DE RECHANGE
ERSATZTEILKATALOG

2011

98 98 hy 108 108 hy

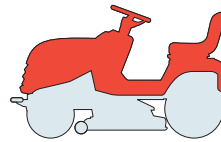


TELAIO
CHASSIS
CHASSIS
RAHMENSATZ



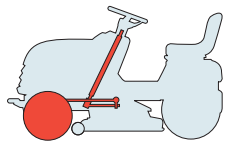
➔ [5101](#)

CARROZZERIA
BODY
CARROSSERIE
KARROSSERIE



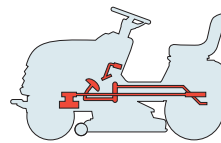
➔ [5102](#)

STERZO
STEERING
BARRE DE DIRECTION
LENKGETRIEBE



➔ [5103](#)

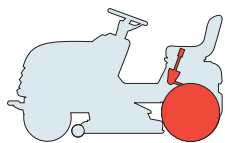
COMANDO TRASMISSIONE E FRENO
DRIVE AND BRAKE CONTROLS
COMMANDE TRANSMISSION ET FREIN
GETRIEBE UND BREMSE ANTRIEB



98 / 108 ➔ [5104M](#)

98 hydro / 108 hydro ➔ [5104Y](#)

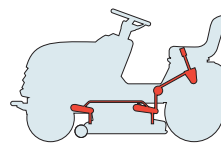
TRASMISSIONE
TRANSMISSION
TRANSMISSION
GETRIEBE



98 / 108 ➔ [5105M](#)

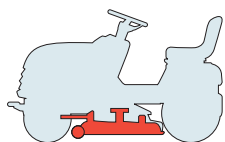
98 hydro / 108 hydro ➔ [5105Y](#)

SOLLEVAMENTO PIATTO DI TAGLIO
CUTTING PLATE LIFTING
SOULEVEMENT PLATEAU DE COUPE
SCHNEIDWERKZEUG AUFHEBESATZ



➔ [5106](#)

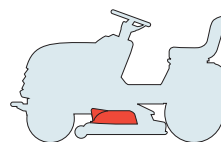
PIATTO DI TAGLIO (1)
CUTTING PLATE (1)
PLATEAU DE COUPE (1)
SCHNEIDWERKZEUG (1)



98 / 98 hydro ➔ [5107](#)

108 / 108 hydro ➔ [5107a](#)

PIATTO DI TAGLIO (2)
CUTTING PLATE (2)
PLATEAU DE COUPE (2)
SCHNEIDWERKZEUG (2)



➔ [5108](#)





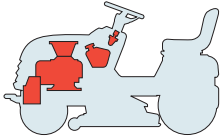
**MOTORE E SERBATOIO
ENGINE AND FUEL TANK
MOTEUR ET RESERVOIR
MOTOR UND TANK**

GGP ➔ [5109](#)

B&S 12,5 HP..... ➔ [5109a](#)

B&S 15,5-16,5-17,5-18,5 HP ➔ [5109b](#)

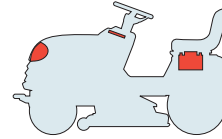
HONDA ➔ [5109c](#)



**PARTI ELETTRICHE
ELECTRICAL PARTS
PARTIES ELECTRIQUES
ELETRISCHETEILE**

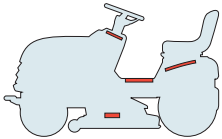
GGP - B&S ➔ [5110](#)

HONDA ➔ [5110a](#)



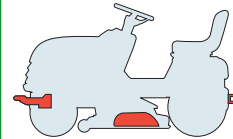
**ETICHETTE
LABELS
ETIQUETTES
KLEBZETTEL**

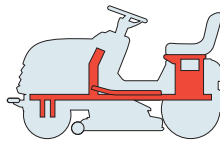
➔ [5111](#)



**ACCESSORI A RICHIESTA
OPTIONALS ON REQUEST
ACCESSOIRES SUR DEMANDE
ZUBEHOERE NACH ANFRAGE**

➔ [5112](#)

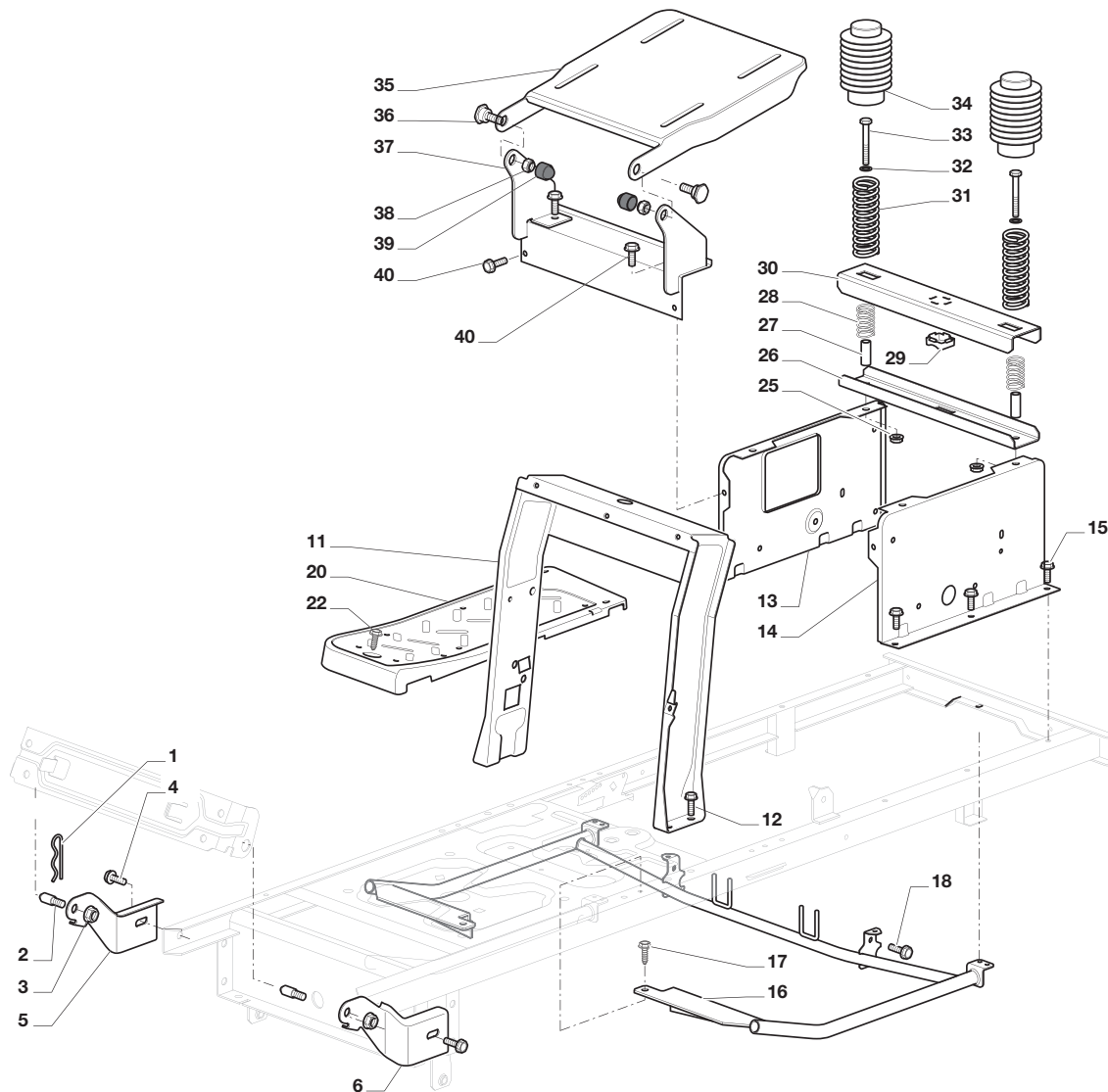


SD**98****98 hy****108****108 hy**
TELAIO
CHASSIS
CHASSIS
RAHMENSATZ

2011

5101.0

1 / 2



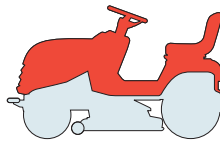
N.	CODE	Q.TY	DESCRIZIONE	DESCRIPTION	DESCRIPTION	BESCHREIBUNG
1	24487998/0	1	Coppiglia	Cotter Pin	Goupille	Split
2	25510079/0	2	Perno	Pin	Pivot	Bolzen
3	12154210/0	2	Dado	Nut	Ecrou	Mutter
4	12735599/0	2	Vite	Screw	Vis	Schraube
5	325547225/0	1	Piastrina Destra	Right Plate	Plaque Droite	Rechte Platte
6	325547227/0	1	Piastrina Sinistra	Left Plate	Plaque Gauche	Linke Platte
11	382785169/1	1	Supporto Piantone	Steering Column Support	Support Tube De Direction	LenkungsaeuleHalter
12	125943009/0	4	Vite	Screw	Vis	Schraube
13	325785331/0	1	Supporto Sedile Destro	Right Seat Support	Support Siege Droite	Rechte Sitzhalter
14	325785333/0	1	Supporto Sedile Sinistro	Left Seat Support	Support Siege Gauche	Linke Sitzhalter
15	125943009/0	6	Vite	Screw	Vis	Schraube
16	382785179/0	1	Supporto Pedana	Footboard Support	Support Marchepied	Fussbretthalter
17	125943009/0	2	Vite	Screw	Vis	Schraube
18	125943009/0	2	Vite	Screw	Vis	Schraube
20	325500041/1	1	Pedana Destra	Right Footboard	Marchepied Droite	Rechte Fussbrett
21	325500043/1	1	Pedana Sinistra	Left Footboard	Marchepied Gauche	Linke Fussbrett
22	12735599/0	2	Vite	Screw	Vis	Schraube
25	12293201/0	2	Dado	Nut	Ecrou	Mutter
26	325820109/0	1	Supporto Sedile	Seat Support	Support Siege	Sitzhalter
27	125160048/0	2	Distanziale	Spacer	Entretoise	Entfernungsstück
28	125430263/0	2	Molla	Spring	Ressort	Feder
29	325060038/0	1	Camma	Cam	Came	Nocken
30	325820105/0	1	Supporto	Support	Support	Halter
31	125430264/0	2	Molla	Spring	Ressort	Feder
32	12521350/0	2	Rosetta	Washer	Rondelle	Scheibe





N.	CODE	Q.TY	DESCRIZIONE	DESCRIPTION	DESCRIPTION	BESCHREIBUNG
33	12691400/0	2	Vite	Screw	Vis	Schraube
34	325122002/0	2	Cuffia	Hood	Protecteur	Schutzkasten
35	382547061/0	1	Piastra	Plate	Plaque	Platte
36	22524970/2	2	Perno	Pin	Pivot	Bolzen
37	382820151/0	1	Supporto Sedile	Seat Support	Support Siege	Sitzhalter
38	12155010/0	2	Dado	Nut	Ecrou	Mutter
39	118203854/0	2	Cappuccio	Protection	Capuchon	Stecker
40	125943009/0	4	Vite	Screw	Vis	Schraube

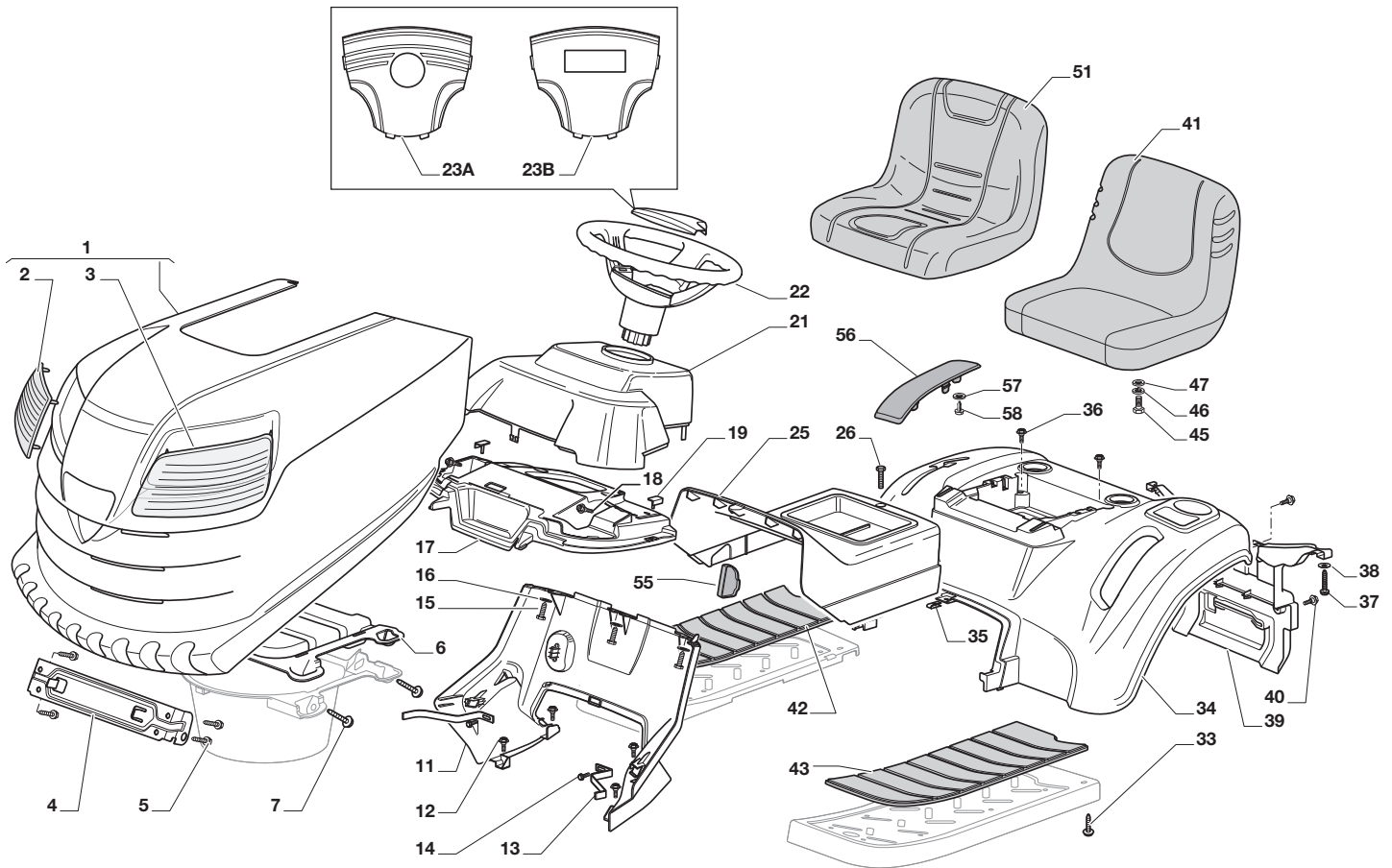


SD**98****98 hy****108****108 hy**
CARROZERIA
BODY
CARROSSERIE
KARROSSERIE

2011

5102.0

1 / 2



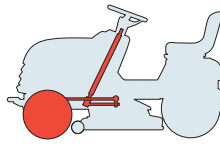
N.	CODE	Q.TY	DESCRIZIONE	DESCRIPTION	DESCRIPTION	BESCHREIBUNG
1	382076954/0	1	Cofano Rosso	Engine Hood Red	Capot Rouge	Haubesatz Rot
1	382076955/0	1	Cofano Giallo	Engine Hood Yellow	Capot Jaune	Haubesatz Gelb
1	382076958/0	1	Cofano Grigio	Engine Hood Grey	Capot Gris	Haubesatz Grau
2	325410887/0	1	Mascherina Destra	Right Grill	Panneau Droite	Rechte Schutz
3	325410888/0	1	Mascherina Sinistra	Left Grill	Panneau Gauche	Linke Schutz
4	325785317/0	1	Supporto Cofano	Engine Hood Support	Support Capot	Haubesatzhalter
5	12735403/0	4	Vite	Screw	Vis	Schraube
6	325263302/1	1	Griglia Aspirazione	Air Intake Grill	Grille D'Aspiration	Ansauggitter
7	112728692/0	4	Vite	Screw	Vis	Schraube
11	325785298/0	1	Supporto Cruscotto	Dashboard Support	Support Tableau	Konsolehalter
12	125943010/0	4	Vite	Screw	Vis	Schraube
13	325270325/0	2	Guida	Guide	Guide	Führung
14	12735599/0	2	Vite	Screw	Vis	Schraube
15	112735406/0	3	Vite	Screw	Vis	Schraube
16	12523040/0	3	Rosetta	Washer	Rondelle	Scheibe
17	325120202/1	1	Cruscotto	Dashboard	Tableau De Bord	Konsole
18	125943010/0	2	Vite	Screw	Vis	Schraube
19	325260003/0	2	Gommino	Grommet	Protection	Schutz
21	325120203/0	1	Coperchio	Cover	Couvercle	Deckel
22	325961219/0	1	Volante	Steering Wheel	Volant	Lenkrad
23A	325580503/0	1	Placca Volante	Steering Plate	Plaque Volant	Lenkradplatte
23B	325580504/0	1	Placca Volante	Steering Plate	Plaque Volant	Lenkradplatte
25	325110383/1	1	Copertura Centrale, Rosso	Cover, Red	Couvre, Rouge	Kappe, Rot
25	325110396/1	1	Copertura Centrale, Giallo	Cover, Yellow	Couvre, Jaune	Kappe, Gelb
25	325110398/1	1	Copertura Centrale, Grigio	Cover, Grey	Couvre, Gris	Kappe, Grau
26	125943010/0	1	Vite	Screw	Vis	Schraube





N.	CODE	Q.TY	DESCRIZIONE	DESCRIPTION	DESCRIPTION	BESCHREIBUNG
33	112735406/0	4	Vite	Screw	Vis	Schraube
34	325110382/0	1	Copertura Ruote, Rosso	Wheels Cover, Red	Couvre-Roues, Rouge	Radenkappe, Rot
34	325110399/0	1	Copertura Ruote, Giallo	Wheels Cover, Yellow	Couvre-Roues, Jaune	Radenkappe, Gelb
34	325110401/0	1	Copertura Ruote, Grigio	Wheels Cover, Grey	Couvre Roues, Gris	Radenkappe, Grau
35	112437506/0	1	Piastrina	Plate	Plaque	Platte
36	125943010/0	2	Vite	Screw	Vis	Schraube
37	112735406/0	2	Vite	Screw	Vis	Schraube
38	12523040/0	2	Rosetta	Washer	Rondelle	Scheibe
39	325547208/1	1	Piastra	Plate	Plaque	Platte
40	125943010/0	2	Vite	Screw	Vis	Schraube
41	25722463/0	1	Sedile	Seat	Siege	Sitz
42	325110384/0	1	Copripedana Destra	Right Footboardcover	Couvre Marchepied Dro.	Rechte Fussbrettdeckel
43	325110385/0	1	Copripedana Sinistra	Left Footboard Cover	Couvre Marchepied Gau.	Linke Fussbrettdeckel
45	12792611/0	4	Vite	Screw	Vis	Schraube
46	12540260/0	4	Grower	Grower	Grower	Grower
47	12523060/0	4	Rondella	Washer	Rondelle	Scheibe
51	125722472/0	1	Sedile	Seat	Siege	Sitz
55	325207191/0	1	Piastrina (mecc.)	Plate (mech.)	Plaque (mec.)	Platte (mech.)
56	325207190/0	1	Copertura (hydro)	Cover (hydro)	Couvre (hydro)	Kappe (hydro)
57	12523050/0	4	Rosetta (hydro)	Washer (hydro)	Rondelle (hydro)	Scheibe (hydro)
58	12735402/0	2	Vite (hydro)	Screw (hydro)	Vis (hydro)	Schraube (hydro)

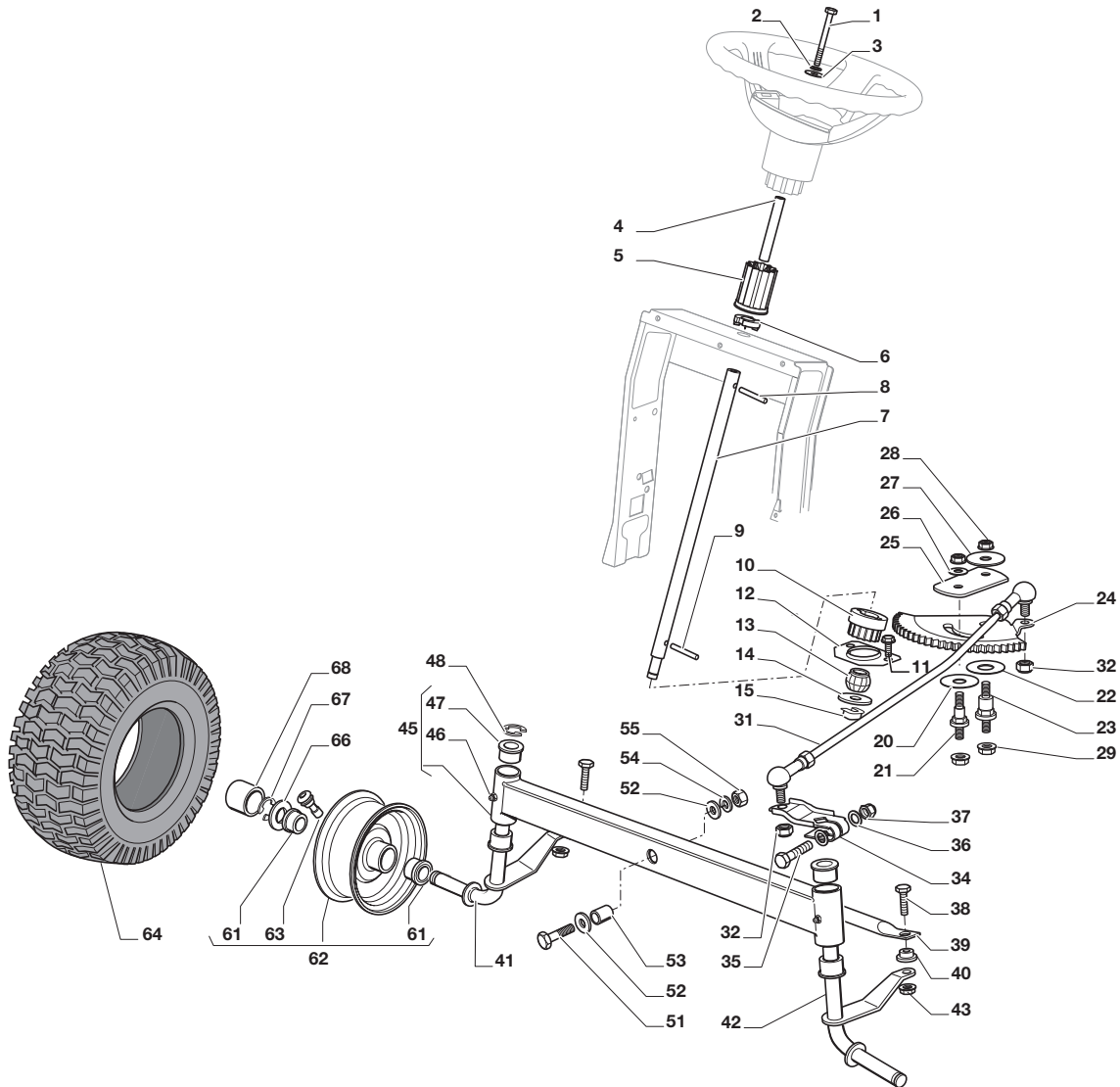


SD**98****98 hy****108****108 hy**
STERZO
STEERING
BARRE DE DIRECTION
LENKGETRIEBE

2011

5103.0

1 / 2



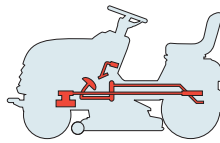
N.	CODE	Q.TY	DESCRIZIONE	DESCRIPTION	DESCRIPTION	BESCHREIBUNG
1	12692050/0	1	Vite	Screw	Vis	Schraube
2	12540260/0	1	Rosetta	Washer	Rondelle	Scheibe
3	12523070/0	1	Rosetta	Washer	Rondelle	Scheibe
4	125160047/0	1	Distanziale	Spacer	Entretoise	Entfernungsstück
5	325785318/0	1	Supporto	Support	Support	Halter
6	325038008/0	1	Boccola	Bush	Douille	Büchse
7	125520007/0	1	Piantone	Steering Column	Tube De Direction	Lenkungsaeule
8	112620300/0	1	Spina	Pin	Goupille	Stift
9	12622650/0	1	Spina	Pin	Goupille	Stift
10	125570003/0	1	Pignone	Pinion	Pignon	Ritzel
11	27943051/0	2	Vite	Screw	Vis	Schraube
12	325785213/1	1	Supporto	Support	Support	Halter
13	25743000/0	1	Snodo	Joint	Joint	Gelenk
14	12521370/0	1	Rosetta	Washer	Rondelle	Scheibe
15	12436030/0	1	Perno	Pin	Pivot	Bolzen
20	22672151/0	1	Rondella	Washer	Rondelle	Scheibe
21	125510104/0	1	Perno	Pin	Pivot	Bolzen
22	125670023/0	1	Rondella	Washer	Rondelle	Scheibe
23	125510109/0	1	Perno	Pin	Pivot	Bolzen
24	325735519/0	1	Settore	Steering Shaft	Arbre Direction	Lenkungswelle
25	325547233/0	1	Piastra	Plate	Plaque	Platte
26	12369500/0	1	Rondella	Washer	Rondelle	Scheibe
27	22160400/0	1	Disco Elastico	Elastic Washer	Disque Elastique	Federscheibe
28	12155010/0	2	Dado	Nut	Ecrou	Mutter
29	12293201/0	2	Dado	Nut	Ecrou	Mutter
31	382000566/0	1	Asta Comando Sterzo	Steering Rod	Barre De Direction	Lenkungsstab
32	12156602/0	2	Dado	Nut	Ecrou	Mutter





N.	CODE	Q.TY	DESCRIZIONE	DESCRIPTION	DESCRIPTION	BESCHREIBUNG
34	325318243/0	1	Leva Comando	Lever	Levier	Hebel
35	12692390/0	1	Vite	Screw	Vis	Schraube
36	12521360/0	2	Rosetta	Washer	Rondelle	Scheibe
37	12156602/0	1	Dado	Nut	Ecrou	Mutter
38	125510103/0	2	Perno	Pin	Pivot	Bolzen
39	325840029/0	1	Tirante Colleg. Fuselli	Tie Rod	Tirant	Spannstange
40	325038007/0	2	Boccola	Bush	Douille	Büchse
41	382230369/0	1	Fusello Destro 13"	Right Stub Axle 13"	Fuseau Droite 13"	Rechter Achsschenkel 13"
41	382230373/0	1	Fusello Destro 15"	Right Stub Axle 15"	Fuseau Droite 15"	Rechter Achsschenkel 15"
42	382230371/0	1	Fusello Sinistro 13"	Left Stub Axle 13"	Fuseau Gauche 13"	Linker Achsschenkel 13"
42	382230375/0	1	Fusello Sinistro 15"	Left Stub Axle 15"	Fuseau Gauche 15"	Linker Achsschenkel 15"
43	12155000/0	2	Dado	Nut	Ecrou	Mutter
45	382034030/0	1	Bilanciere Con Boccola Ed Ingrassatore	Equalizer With Bush And Lubricator	Balancier Avec Douille Et Graisseur	Kipphebel Mit Büchse Und Fettbüchse
46	12379511/0	2	Ingrassatore	Grease Dispenser	Graisseur	Fettbüchse
47	25034002/1	4	Bronzina	Bush	Douille	Büchse
48	12001010/0	1	Benzing	Benzing	Benzing	Benzing
51	12692695/0	1	Vite	Screw	Vis	Schraube
52	12523100/0	2	Rosetta	Washer	Rondelle	Scheibe
53	25160016/0	1	Distanziale	Spacer	Entretoise	Entfernungsstück
54	12587100/0	1	Rosetta	Washer	Rondelle	Scheibe
55	12295300/0	1	Dado	Nut	Ecrou	Mutter
61	25122200/2	4	Cuscinetto	Bearing	Roulement	Kuegellager
62	182000598/0	2	Cerchio Ruota	Rimm	Bandage Roue	Vorderrad Felger
63	25950000/0	2	Valvola	Valve	Soupape	Ventil
64	125590014/0	2	Pneumatico 13"	Tire 13"	Pneu 13"	Reifen 13"
64	127590066/0	2	Pneumatico 15"	Tire 15"	Pneu 15"	Reifen 15"
66	25670005/1	2	Rondella	Washer	Rondelle	Scheibe
67	12001010/0	2	Benzing	Benzing	Benzing	Benzing
68	322110233/0	2	Coprिमozzo	Hub Cover	Couvre Moyeu	Nabedeckel



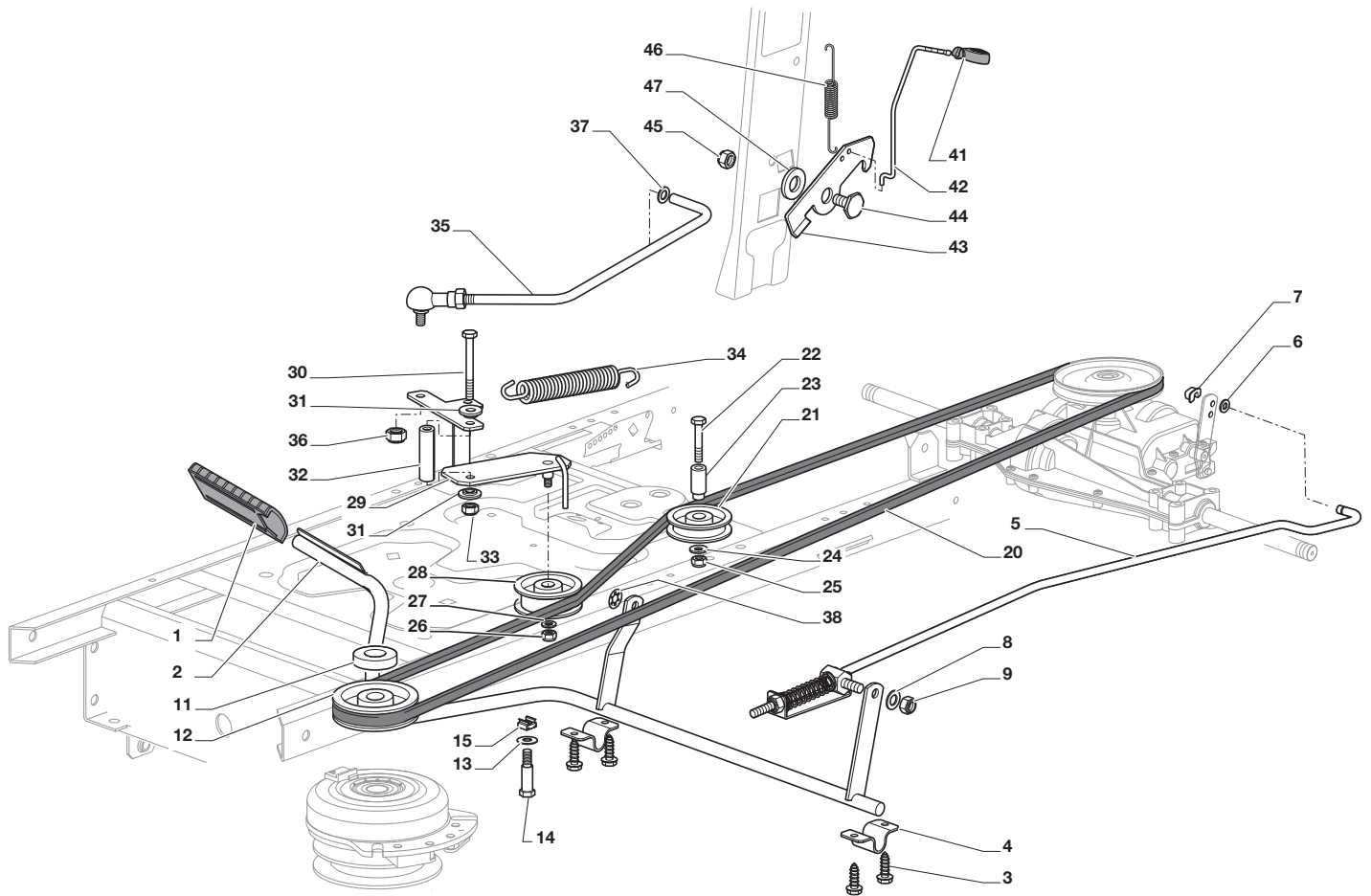
SD**98****98 hy****108****108 hy**

COMANDO TRASMISSIONE E FRENO
DRIVE AND BRAKE CONTROLS
COMMANDE TRANSMISSION ET FREIN
GETRIEBE UND BREMSE ANTRIEB

2011

5104M.0

1 / 2



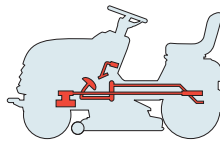
N.	CODE	Q.TY	DESCRIZIONE	DESCRIPTION	DESCRIPTION	BESCHREIBUNG
1	325110391/0	1	Coprstaffa	Clamp Cover	Couvre Etrier	Bridedeckel
2	382500033/0	1	Pedale	Pedal	Pedal	Pedal
3	12735599/0	4	Vite	Screw	Vis	Schraube
4	325547231/0	2	Piastra	Plate	Plaque	Platte
5	382000568/0	1	Asta	Rod	Barre	Stange
6	12521350/0	1	Rosetta	Washer	Rondelle	Scheibe
7	12436050/0	1	Piastrina	Plate	Plaque	Platte
8	25670011/0	1	Rosetta	Washer	Rondelle	Scheibe
9	12155000/0	1	Dado	Nut	Ecrou	Mutter
11	25160021/0	1	Distanziale	Spacer	Entretoise	Entfernungsstück
12	25601567/0	1	Puleggia	Pulley	Poulie	Riemenscheibe
13	12524010/0	2	Rosetta	Washer	Rondelle	Scheibe
14	25580030/0	2	Guidacinghia	Belt Guide	Guide De Courroie	Riemenführung
15	12360425/0	2	Dado	Nut	Ecrou	Mutter
20	135062013/0	1	Cinghia	Belt	Courroie	Riemen
21	25601555/0	1	Puleggia	Pulley	Poulie	Riemenscheibe
22	12691400/0	1	Vite	Screw	Vis	Schraube
23	125160051/0	1	Distanziale	Spacer	Entretoise	Entfernungsstück
24	12523060/0	1	Rosetta	Washer	Rondelle	Scheibe
25	12155000/0	1	Dado	Nut	Ecrou	Mutter
26	12155000/0	1	Dado	Nut	Ecrou	Mutter
27	12523060/0	1	Rosetta	Washer	Rondelle	Scheibe
28	25601554/0	1	Puleggia	Pulley	Poulie	Riemenscheibe
29	382318235/0	1	Leva	Lever	Levier	Hebel
30	12691600/0	1	Vite	Screw	Vis	Schraube
31	25038002/1	2	Boccola	Bush	Douille	Büchse





N.	CODE	Q.TY	DESCRIZIONE	DESCRIPTION	DESCRIPTION	BESCHREIBUNG
32	25160027/0	1	Distanziale	Spacer	Entretoise	Entfernungsstück
33	12155000/0	1	Dado	Nut	Ecrou	Mutter
34	125430262/0	1	Molla	Spring	Ressort	Feder
35	382820016/0	1	Ass. Tirante	Tie Rod Ass.Y	Ens. Tirant	Spannstange, Komplet
36	12293201/0	1	Dado	Nut	Ecrou	Mutter
37	12521350/0	1	Rosetta	Washer	Rondelle	Scheibe
38	12604899/0	1	Fissatore A Corona	Crown Fastener	Fixateur A Couronne	Kronescheibe
41	325394534/0	1	Manopolina	Knob	Poignee	Griff
42	125033083/0	1	Asta	Rod	Barre	Stange
43	325253011/0	1	Gancio	Hook	Crochet	Haken
44	22524970/2	1	Perno	Pin	Pivot	Bolzen
45	12155000/0	1	Dado	Nut	Ecrou	Mutter
46	25430213/0	1	Molla	Spring	Ressort	Feder
47	12523060/0	1	Rosetta	Washer	Rondelle	Scheibe



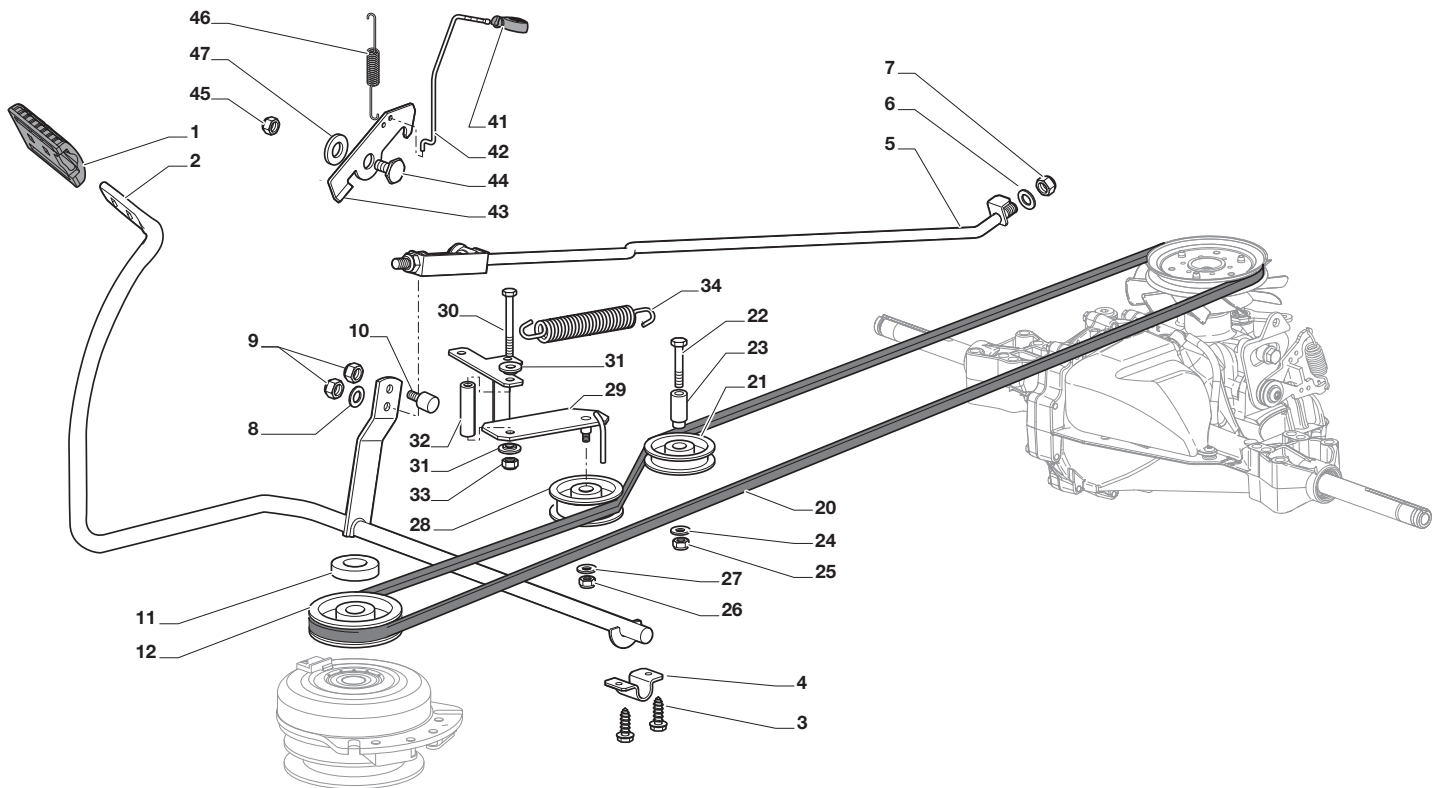
SD**98****98 hy****108****108 hy**

COMANDO TRASMISSIONE E FRENO
DRIVE AND BRAKE CONTROLS
COMMANDE TRANSMISSION ET FREIN
GETRIEBE UND BREMSE ANTRIEB

2011

5104Y.0

1 / 2



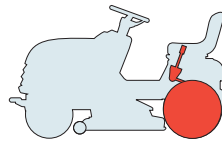
N.	CODE	Q.TY	DESCRIZIONE	DESCRIPTION	DESCRIPTION	BESCHREIBUNG
1	325110409/0	1	Coprstaffa	Clamp Cover	Couvre Etrier	Bridedeckel
2	382000575/0	1	Pedale	Pedal	Pedal	Pedal
3	12735599/0	4	Vite	Screw	Vis	Schraube
4	325547231/0	2	Piastra	Plate	Plaque	Platte
5	382000576/0	1	Asta	Rod	Barre	Stange
6	12521360/0	1	Rosetta	Washer	Rondelle	Scheibe
7	12156602/0	1	Dado	Nut	Ecrou	Mutter
8	25670011/0	1	Rosetta	Washer	Rondelle	Scheibe
9	12155000/0	2	Dado	Nut	Ecrou	Mutter
10	125510116/0	1	Perno	Pin	Pivot	Bolzen
11	25160021/0	1	Distanziale	Spacer	Entretoise	Entfernungsstück
12	125601577/0	1	Puleggia	Pulley	Poulie	Riemenscheibe
13	12524010/0	2	Rosetta	Washer	Rondelle	Scheibe
20	135062003/0	1	Cinghia	Belt	Courroie	Riemen
21	25601555/0	1	Puleggia	Pulley	Poulie	Riemenscheibe
22	12691400/0	1	Vite	Screw	Vis	Schraube
23	125160051/0	1	Distanziale	Spacer	Entretoise	Entfernungsstück
24	12523060/0	1	Rosetta	Washer	Rondelle	Scheibe
25	12155000/0	1	Dado	Nut	Ecrou	Mutter
26	12155000/0	1	Dado	Nut	Ecrou	Mutter
27	12523060/0	1	Rosetta	Washer	Rondelle	Scheibe
28	25601554/0	1	Puleggia	Pulley	Poulie	Riemenscheibe
29	382318245/0	1	Leva	Lever	Levier	Hebel
30	12691600/0	1	Vite	Screw	Vis	Schraube
31	25038002/1	2	Boccola	Bush	Douille	Büchse
32	25160027/0	1	Distanziale	Spacer	Entretoise	Entfernungsstück
33	12155000/0	1	Dado	Nut	Ecrou	Mutter
34	125430262/0	1	Molla	Spring	Ressort	Feder





N.	CODE	Q.TY	DESCRIZIONE	DESCRIPTION	DESCRIPTION	BESCHREIBUNG
41	325394534/0	1	Manopolina	Knob	Poignee	Griff
42	125033083/0	1	Asta	Rod	Barre	Stange
43	325253011/0	1	Gancio	Hook	Crochet	Haken
44	22524970/2	1	Perno	Pin	Pivot	Bolzen
45	12155000/0	1	Dado	Nut	Ecrou	Mutter
46	25430213/0	1	Molla	Spring	Ressort	Feder
47	12523060/0	1	Rosetta	Washer	Rondelle	Scheibe

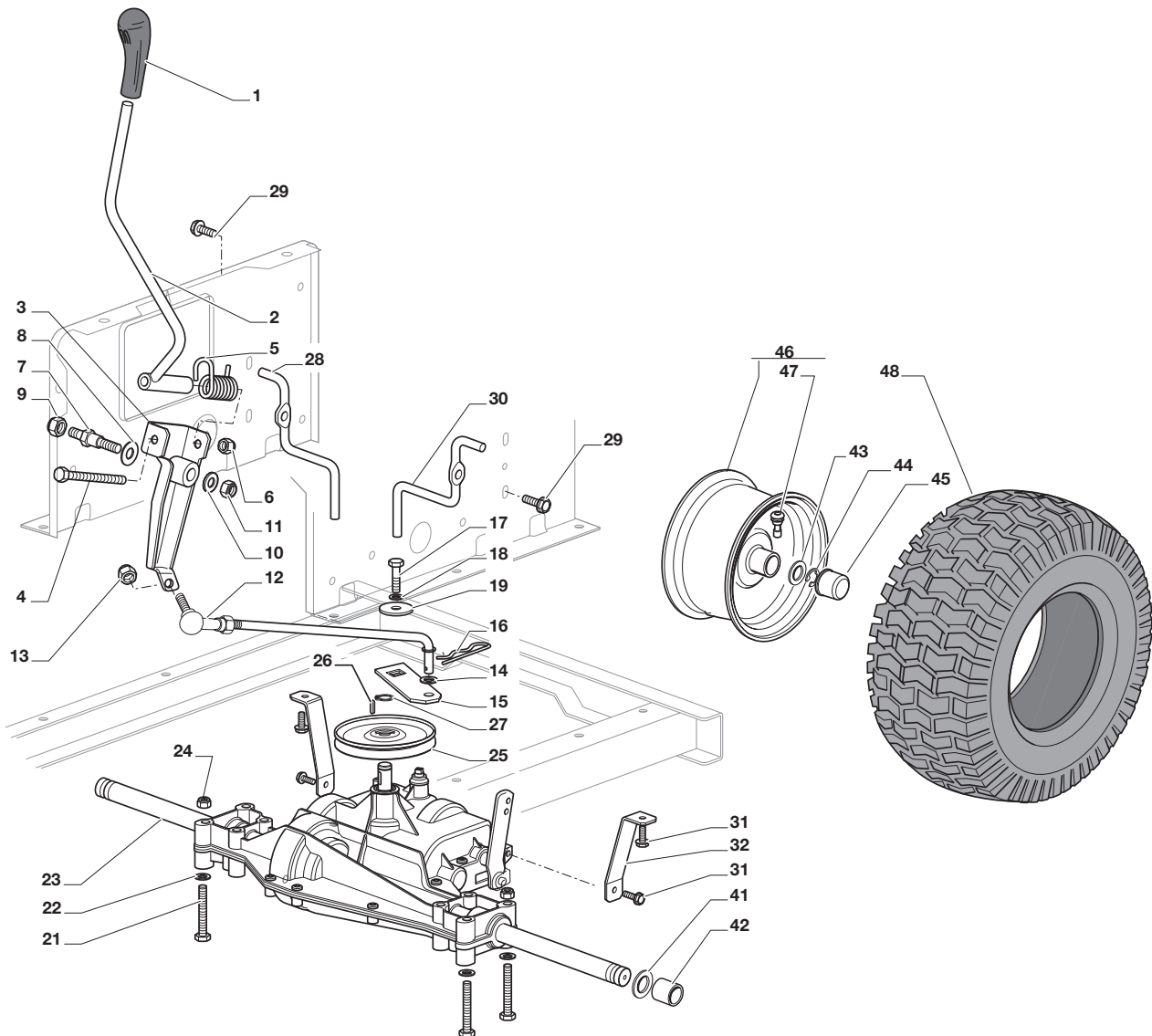


SD**98****98 hy****108****108 hy**
TRASMISSIONE
TRANSMISSION
TRANSMISSION
GETRIEBE

2011

5105M.0

1 / 2



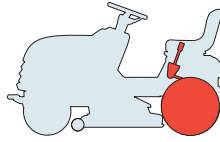
N.	CODE	Q.TY	DESCRIZIONE	DESCRIPTION	DESCRIPTION	BESCHREIBUNG
1	325394532/0	1	Manopola	Knob	Poignee	Griff
2	382318233/0	1	Leva	Lever	Levier	Hebel
3	382774259/0	1	Staffa	Clamp	Etrier	Bride
4	12692050/0	1	Vite	Screw	Vis	Schraube
5	25430226/0	1	Molla	Spring	Ressort	Feder
6	12155000/0	1	Dado	Nut	Ecrou	Mutter
7	25510035/0	1	Perno	Pin	Pivot	Bolzen
8	22672151/0	1	Rondella	Washer	Rondelle	Scheibe
9	12293201/0	1	Dado	Nut	Ecrou	Mutter
10	12523060/0	1	Rosetta	Washer	Rondelle	Scheibe
11	12155010/0	1	Dado	Nut	Ecrou	Mutter
12	382000567/0	1	Asta	Rod	Barre	Stange
13	12293201/0	1	Dado	Nut	Ecrou	Mutter
14	12521340/0	1	Rosetta	Washer	Rondelle	Scheibe
15	325318235/0	1	Leva	Lever	Levier	Hebel
16	12141418/0	1	Coppiglia	Cotter Pin	Goupille	Split
17	12735520/0	1	Vite	Screw	Vis	Schraube
18	12540040/0	1	Rosetta	Washer	Rondelle	Scheibe
19	22680009/0	1	Rosetta	Washer	Rondelle	Scheibe
21	12691600/0	4	Vite	Screw	Vis	Schraube
22	12521350/0	4	Rosetta	Washer	Rondelle	Scheibe
23	18400912/0	1	Asse Posteriore Dana 4360-211	Rear Axle Dana 4360-211	Axe Arriere Dana 4360-211	Hinterachse Dana 4360-211
24	12155000/0	4	Dado	Nut	Ecrou	Mutter
25	82601509/0	1	Puleggia	Pulley	Poulie	Riemenscheibe
26	12139430/0	1	Linguetta	Feather	Clavette	Keil
27	12608950/0	1	Seeger	Seeger	Seeger	Seeger





N.	CODE	Q.TY	DESCRIZIONE	DESCRIPTION	DESCRIPTION	BESCHREIBUNG
28	125270329/0	1	Guidacinghia	Belt Guide	Guide De Courroire	Riemenführung
29	12735599/0	2	Vite	Screw	Vis	Schraube
30	125270330/0	1	Guidacinghia	Belt Guide	Guide De Courroire	Riemenführung
31	125943009/0	4	Vite	Screw	Vis	Schraube
32	325785315/0	2	Supporto	Support	Support	Halter
41	25670005/1	2	Rondella	Washer	Rondelle	Scheibe
42	125160055/0	2	Distanziale	Spacer	Entretoise	Entfernungsstück
43	25670005/1	6	Rondella	Washer	Rondelle	Scheibe
44	12001010/0	2	Benzing	Benzing	Benzing	Benzing
45	322110233/0	2	Coprimozzo	Hub Cover	Couvre Moyeu	Nabendeckel
46	382000597/0	2	Cerchio Ruota	Rimm	Bandage Roue	Hinterrad Felger
47	25950000/0	2	Valvola	Valve	Soupape	Ventil
48	125590015/0	2	Pneumatico	Shoe	Pneu	Reifen

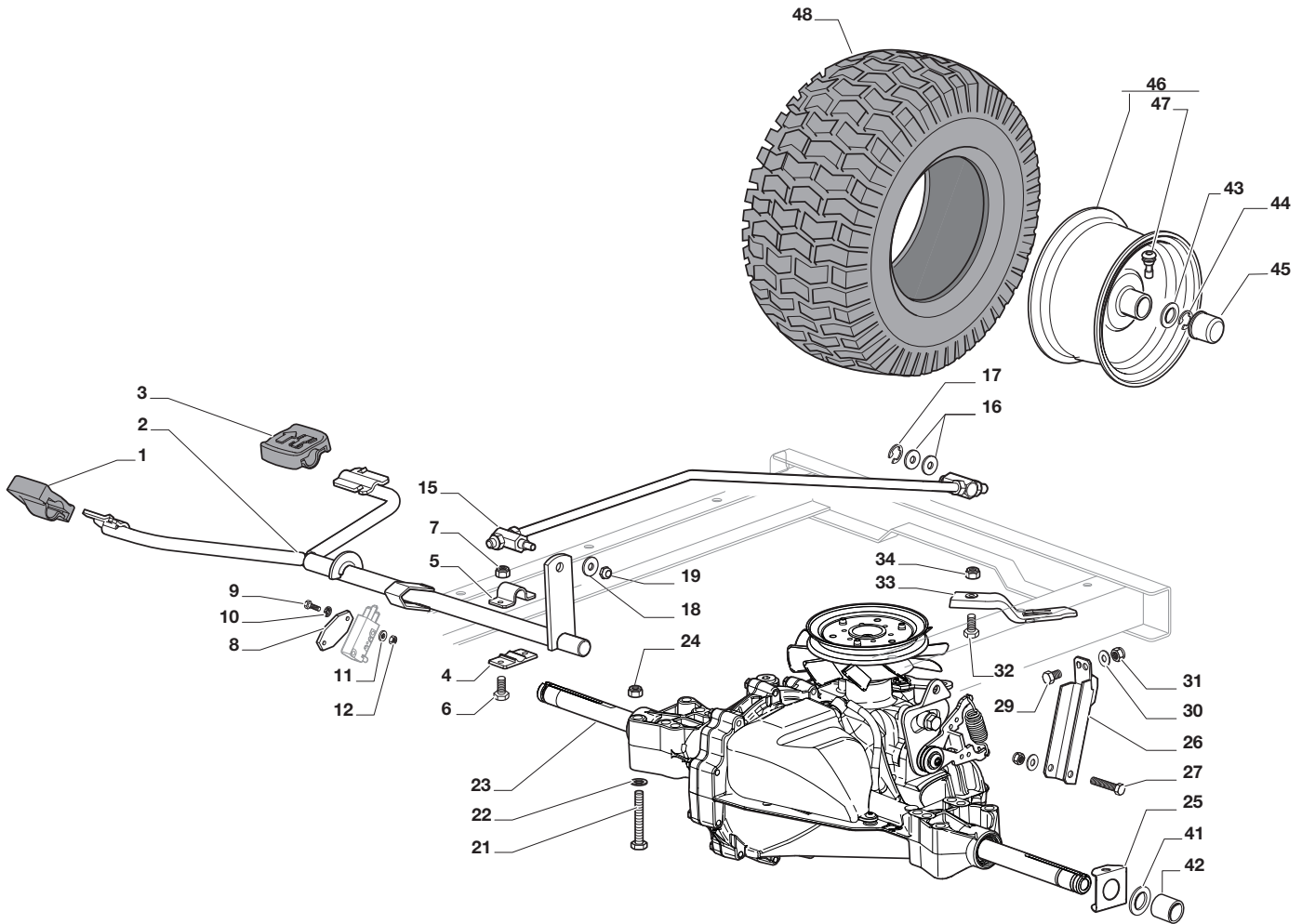


SD**98****98 hy****108****108 hy**
TRASMISSIONE
TRANSMISSION
TRANSMISSION
GETRIEBE

2011

5105Y.0

1 / 2



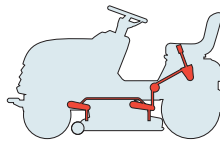
N.	CODE	Q.TY	DESCRIZIONE	DESCRIPTION	DESCRIPTION	BESCHREIBUNG
1	25110274/0	1	Coprstaffa Anteriore	Clamp Cover Front	Couvre Etrier Avant	Bridedeckel Vorde
2	382000574/0	1	Pedale Avanzamento	Drive Pedal	Pedale Transmission	Getriebepedal
3	25110331/0	1	Coprstaffa Posteriore	Clamp Cover Rear	Couvre Etrier Arriere	Bridedeckel Hinter
4	325785350/0	2	Supporto	Support	Support	Halter
5	325547231/0	2	Piastrina	Plate	Plaque	Platte
6	12791213/1	4	Vite	Screw	Vis	Schraube
7	12154510/0	4	Dado	Nut	Ecrou	Mutter
8	27546019/0	1	Piastrina	Plate	Plaque	Platte
9	12735602/0	2	Vite	Screw	Vis	Schraube
10	12540020/0	2	Rosetta	Washer	Rondelle	Scheibe
11	12581100/0	2	Grower	Grower	Grower	Grower
12	12290791/0	2	Dado	Nut	Ecrou	Mutter
15	382000573/0	1	Asta	Rod	Barre	Stange
16	25670011/0	2	Rondella	Washer	Rondelle	Scheibe
17	12000955/0	1	Benzing	Benzing	Benzing	Benzing
18	12523040/0	1	Rosetta	Washer	Rondelle	Scheibe
19	12154510/0	1	Dado	Nut	Ecrou	Mutter
21	12691600/0	4	Vite	Screw	Vis	Schraube
22	12521350/0	4	Rosetta	Washer	Rondelle	Scheibe
23	118400919/1	1	Asse Posteriore	Rear Axle	Axe Arriere	Hinterachse
			Hydro-Gear T2-ADBF-2X3C-1PX1	Hydro-Gear T2-ADBF-2X3C-1PX1	Hydro-Gear T2-ADBF-2X3C-1PX1	Hydro-Gear T2-ADBF-2X3C-1PX1
24	12155000/0	4	Dado	Nut	Ecrou	Mutter
25	325670026/0	2	Rondella	Washer	Rondelle	Scheibe
26	325785349/0	1	Supporto	Support	Support	Halter
27	12691700/0	1	Vite	Screw	Vis	Schraube
29	12792611/0	1	Vite	Screw	Vis	Schraube
30	12523060/0	2	Rosetta	Washer	Rondelle	Scheibe
31	12155000/0	2	Dado	Nut	Ecrou	Mutter
32	12791213/1	1	Vite	Screw	Vis	Schraube





N.	CODE	Q.TY	DESCRIZIONE	DESCRIPTION	DESCRIPTION	BESCHREIBUNG
33	325318251/0	1	Leva	Lever	Levier	Hebel
34	12154510/0	1	Dado	Nut	Ecrou	Mutter
41	25670005/1	2	Rondella	Washer	Rondelle	Scheibe
42	125160055/0	2	Distanziale	Spacer	Entretoise	Entfernungsstück
43	25670005/1	6	Rondella	Washer	Rondelle	Scheibe
44	12001010/0	2	Benzing	Benzing	Benzing	Benzing
45	322110233/0	2	Coprimozzo	Hub Cover	Couvre Moyeu	Nabedeckel
46	382000597/0	2	Cerchio Ruota	Rimm	Bandage Roue	Hinterrad Felger
47	25950000/0	2	Valvola	Valve	Soupape	Ventil
48	125590015/0	2	Pneumatico	Shoe	Pneu	Reifen

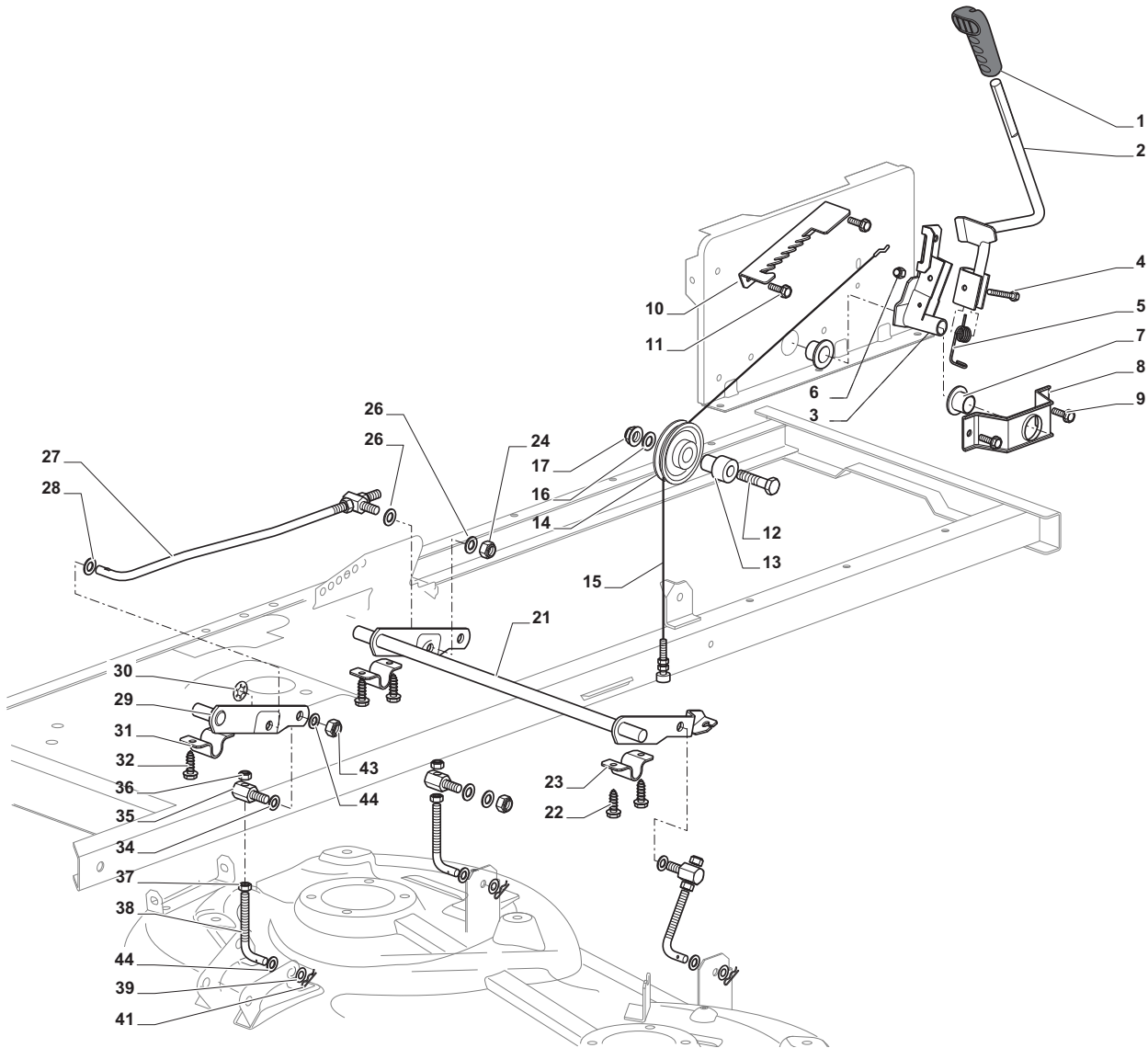


SD**98 98 hy 108 108 hy**
SOLLEVAMENTO PIATTO DI TAGLIO
CUTTING PLATE LIFTING
SOULEVEMENT PLATEAU DE COUPE
SCHNEIDWERKZEUG AUFHEBESATZ

2011

5106.0

1 / 2



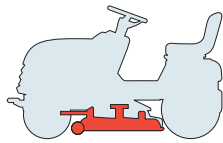
N.	CODE	Q.TY	DESCRIZIONE	DESCRIPTION	DESCRIPTION	BESCHREIBUNG
1	325394533/0	1	Manopola	Knob	Poignee	Griff
2	382318229/0	1	Leva	Lever	Levier	Hebel
3	382318231/0	1	Asse Sollevamento	Axle	Axe	Achse
4	12674700/0	1	Vite	Screw	Vis	Schraube
5	125430261/0	1	Molla	Spring	Ressort	Feder
6	12154510/0	1	Dado	Nut	Ecrou	Mutter
7	325038006/0	2	Boccola	Bush	Douille	Büchse
8	325785297/0	1	Supporto	Support	Support	Halter
9	125943009/0	2	Vite	Screw	Vis	Schraube
10	325735515/0	1	Settore	Steering Shaft	Arbre Direction	Lenkungsstelle
11	125943009/0	2	Vite	Screw	Vis	Schraube
12	12793701/0	1	Vite	Screw	Vis	Schraube
13	125040636/0	1	Bussola	Bush	Douille	Büchse
14	125601579/0	1	Puleggia	Pulley	Poulie	Riemenscheibe
15	382004620/0	1	Filo	Wire	Fil	Kabel
16	12523060/0	1	Rosetta	Washer	Rondelle	Scheibe
17	12293201/0	1	Dado	Nut	Ecrou	Mutter
21	382318239/0	1	Asse Sollevamento	Axle	Axe	Achse
22	12735599/0	4	Vite	Screw	Vis	Schraube
23	325547231/0	2	Piastra	Plate	Plaque	Platte
24	12155000/0	1	Dado	Nut	Ecrou	Mutter
26	25670011/0	2	Rondella	Washer	Rondelle	Scheibe
27	382000569/0	1	Asta Collegamento	Connecting Rod	Tige De Connexion	Verbindungsstab
28	12521350/0	1	Rondella	Washer	Rondelle	Scheibe
29	382318237/0	1	Asse Sollevamento	Axle	Axe	Achse





N.	CODE	Q.TY	DESCRIZIONE	DESCRIPTION	DESCRIPTION	BESCHREIBUNG
30	12604899/0	1	Fissatore A Corona	Crown Fastener	Fixateur A Couronne	Kronescheibe
31	325547231/0	1	Piastra	Plate	Plaque	Platte
32	12735599/0	2	Vite	Screw	Vis	Schraube
34	25670008/1	3	Rondella	Washer	Rondelle	Scheibe
35	125510107/1	3	Perno	Pin	Pivot	Bolzen
36	12156602/0	3	Dado	Nut	Ecrou	Mutter
37	12295200/0	3	Dado	Nut	Ecrou	Mutter
38	25840012/0	3	Tirante	Tie Rod	Tirant	Spannstange
39	12523060/0	3	Rosetta	Washer	Rondelle	Scheibe
41	24487998/0	3	Coppiglia	Cotter Pin	Goupille	Split
43	12156602/0	3	Dado	Nut	Ecrou	Mutter
44	25670008/1	6	Rondella	Washer	Rondelle	Scheibe

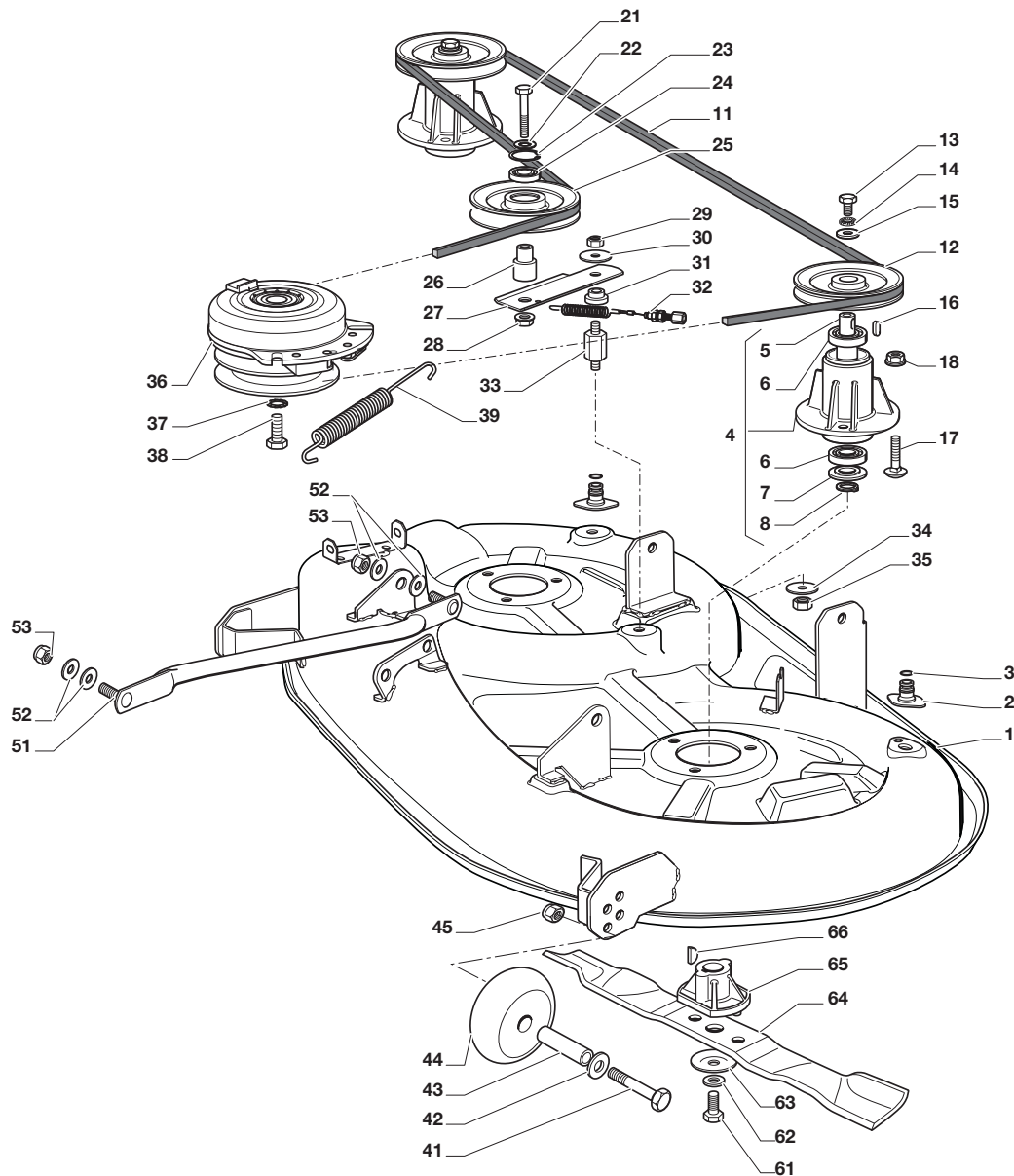


SD**98****98 hy****108****108 hy**
PIATTO DI TAGLIO (1)
CUTTING PLATE (1)
PLATEAU DE COUPE (1)
SCHNEIDWERKZEUG (1)

2011

5107.1

1 / 2



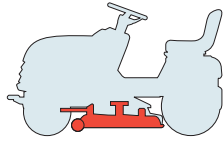
N.	CODE	Q.TY	DESCRIZIONE	DESCRIPTION	DESCRIPTION	BESCHREIBUNG
1	382564209/0	1	Piatto, Nero	Plate	Plateau	Schneid
2	325033086/0	2	Attacco Tubo Acqua	Water Hose Connection	Raccord Tuyau D'Eau	Wasseranschluss
3	19035000/0	2	Anello Or	O Ring	O Ring	O Ring
4	382207204/0	2	Ass. Flangia	Flange Ass.Y	Ensamble Bride	Nabe, Komplet
5	125020804/0	2	Albero	Shaft	Arbre	Welle
6	119216047/0	4	Cuscinetto	Bearing	Roulement	Kuegellager
7	25160501/0	2	Disco Parapolvere	Dust Cover	Protege-Poussiere	Staubschuttscheibe
8	12609260/0	2	Seeger	Seeger	Seeger	Seeger
11	135061504/0	1	Cinghia	Belt	Courroie	Riemen
12	25601571/0	2	Puleggia	Pulley	Poulie	Riemenscheibe
13	12793102/0	2	Vite	Screw	Vis	Schraube
14	12540260/0	2	Rondella	Washer	Rondelle	Scheibe
15	25670007/0	2	Rondella	Washer	Rondelle	Scheibe
16	12139480/0	2	Linguetta	Feather	Clavette	Keil
17	12818690/0	6	Vite	Screw	Vis	Schraube
18	12154210/0	6	Dado	Nut	Ecrou	Mutter
21	12691400/0	1	Vite	Screw	Vis	Schraube
22	12524010/0	1	Rondella	Washer	Rondelle	Scheibe
23	12610800/0	1	Seeger	Seeger	Seeger	Seeger





N.	CODE	Q.TY	DESCRIZIONE	DESCRIPTION	DESCRIPTION	BESCHREIBUNG
24	119216048/0	1	Cuscinetto	Bearing	Roulement	Kuegellager
25	125601586/0	1	Puleggia	Pulley	Poulie	Riemenscheibe
26	125160052/0	1	Distanziale	Spacer	Entretoise	Entfernungsstück
27	325318232/0	1	Leva	Lever	Levier	Hebel
28	12293201/0	1	Dado	Nut	Ecrou	Mutter
29	12155020/0	1	Dado	Nut	Ecrou	Mutter
30	125670022/0	1	Rondella	Washer	Rondelle	Scheibe
31	125040635/0	1	Bussola	Bush	Douille	Büchse
32	82004618/0	1	Filo	Wire	Fil	Kabel
33	125160049/0	1	Distanziale	Spacer	Entretoise	Entfernungsstück
34	12523080/0	1	Rosetta	Washer	Rondelle	Scheibe
35	12156602/0	1	Dado	Nut	Ecrou	Mutter
36	118399063/0	1	Frizione	Clutch	Embrajage	Kupplung
37	12543000/0	1	Rosetta	Washer	Rondelle	Scheibe
38	12737320/0	1	Vite	Screw	Vis	Schraube
39	22430216/1	1	Molla	Spring	Ressort	Feder
41	12692050/0	2	Vite	Screw	Vis	Schraube
42	12523060/0	2	Rosetta	Washer	Rondelle	Scheibe
43	25510072/0	2	Distanziale	Spacer	Entretoise	Entfernungsstück
44	82700001/0	2	Ruotino Antiscalpo Ø 100	Anti Scalp Wheel Ø 100	Roulettes Antiscalp Ø 100	Skalpierschutzrädchen Ø 100
45	12293201/0	2	Dado	Nut	Ecrou	Mutter
51	382000565/0	2	Asta Bilanciere	Equalizer Rod	Tige Balancier	Kipphebel
52	25670008/1	8	Rondella	Washer	Rondelle	Scheibe
53	12156602/0	4	Dado	Nut	Ecrou	Mutter
61	12735694/0	2	Vite	Screw	Vis	Schraube
62	12523080/0	2	Rosetta	Washer	Rondelle	Scheibe
63	22160400/0	2	Disco Elastico	Elastic Washer	Disque Elastique	Federscheibe
64	82004346/0	2	Coltello Mulching	Right Blade Mulching	Lame Droite Mulching	Rechter Messer Mulching
65	25463200/0	2	Mozzo Coltello	Blade Hub	Moyeu Lame	Messerhalter
66	12139100/0	2	Linguetta	Feather	Clavette	Keil

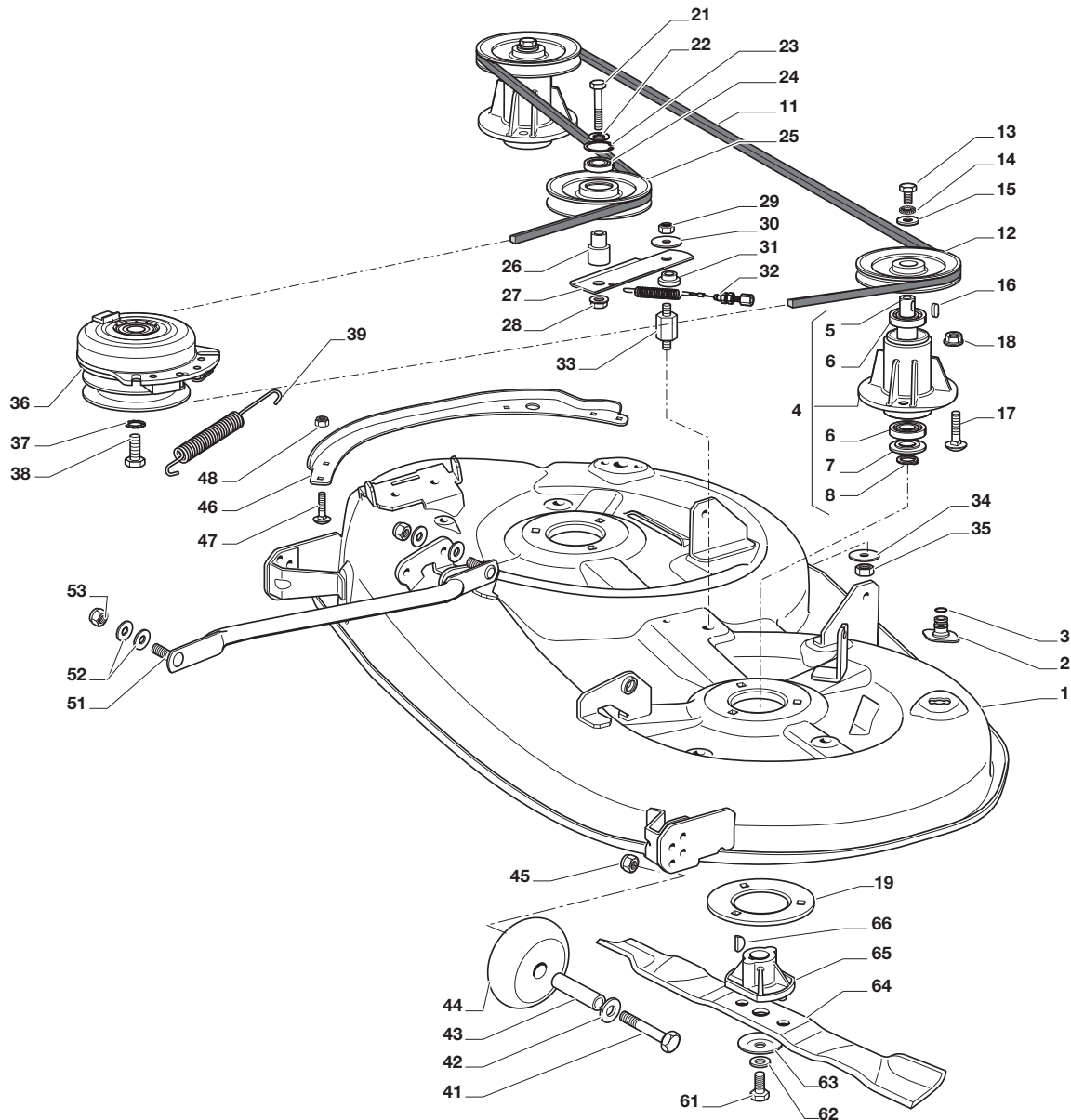


SD**98****98 hy****108****108 hy**
PIATTO DI TAGLIO (1)
CUTTING PLATE (1)
PLATEAU DE COUPE (1)
SCHNEIDWERKZEUG (1)

2011

5107a.1

1 / 2



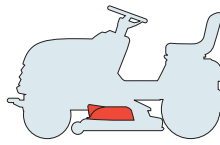
N.	CODE	Q.TY	DESCRIZIONE	DESCRIPTION	DESCRIPTION	BESCHREIBUNG
1	382565069/0	1	Piatto, Nero	Plate	Plateau	Schneid
2	325033086/0	2	Attacco Tubo Acqua	Water Hose Connection	Raccord Tuyau D'Eau	Wasseranschluss
3	19035000/0	2	Anello Or	O Ring	O Ring	O Ring
4	382207204/0	2	Ass. Flangia	Flange Ass.Y	Ensamble Bride	Nabe, Komplet
5	125020804/0	2	Albero	Shaft	Arbre	Welle
6	119216047/0	4	Cuscinetto	Bearing	Roulement	Kuegellager
7	25160501/0	2	Disco Parapolvere	Dust Cover	Protege-Poussiere	Staubschuttscheibe
8	12609260/0	2	Seeger	Seeger	Seeger	Seeger
11	135061506/0	1	Cinghia	Belt	Courroie	Riemen
12	25601571/0	2	Puleggia	Pulley	Poulie	Riemenscheibe
13	12793102/0	2	Vite	Screw	Vis	Schraube
14	12540260/0	2	Rondella	Washer	Rondelle	Scheibe
15	25670007/0	2	Rondella	Washer	Rondelle	Scheibe
16	12139480/0	2	Linguetta	Feather	Clavette	Keil
17	12818700/0	6	Vite	Screw	Vis	Schraube
18	12154210/0	6	Dado	Nut	Ecrou	Mutter
19	325160505/0	2	Disco	Plate	Disque	Scheibe
21	12691800/0	1	Vite	Screw	Vis	Schraube
22	12524010/0	1	Rondella	Washer	Rondelle	Scheibe





N.	CODE	Q.TY	DESCRIZIONE	DESCRIPTION	DESCRIPTION	BESCHREIBUNG
23	12610800/0	1	Seeger	Seeger	Seeger	Seeger
24	119216048/0	1	Cuscinetto	Bearing	Roulement	Kuegellager
25	125601586/0	1	Puleggia	Pulley	Poulie	Riemenscheibe
26	125160056/0	1	Distanziale	Spacer	Entretoise	Entfernungsstück
27	325318255/0	1	Leva	Lever	Levier	Hebel
28	12293201/0	1	Dado	Nut	Ecrou	Mutter
29	12155020/0	1	Dado	Nut	Ecrou	Mutter
30	125670022/0	2	Rondella	Washer	Rondelle	Scheibe
31	125040635/0	1	Bussola	Bush	Douille	Büchse
32	382004619/0	1	Filo	Wire	Fil	Kabel
33	125160057/0	1	Distanziale	Spacer	Entretoise	Entfernungsstück
34	12523080/0	1	Rosetta	Washer	Rondelle	Scheibe
35	12156602/0	1	Dado	Nut	Ecrou	Mutter
36	118399062/0	1	Frizione	Clutch	Embrajage	Kupplung
37	12543000/0	1	Rosetta	Washer	Rondelle	Scheibe
38	12737320/0	1	Vite	Screw	Vis	Schraube
39	22430216/1	1	Molla	Spring	Ressort	Feder
41	12692050/0	2	Vite	Screw	Vis	Schraube
42	12523060/0	2	Rosetta	Washer	Rondelle	Scheibe
43	25510072/0	2	Distanziale	Spacer	Entretoise	Entfernungsstück
44	82700001/0	2	Ruotino Antiscalpo Ø 100	Anti Scalp Wheel Ø 100	Roulettes Antiscalp Ø 100	Skalpierschutzzradchen Ø 100
45	12293201/0	2	Dado	Nut	Ecrou	Mutter
46	325547259/0	1	Rinforzo	Stiffening	Renforcement	Verstaerkung
47	12815200/0	5	Vite	Screw	Vis	Schraube
48	12154510/0	5	Dado	Nut	Ecrou	Mutter
51	382000565/0	2	Asta Bilanciere	Equalizer Rod	Tige Balancier	Kipphebel
52	25670008/1	8	Rondella	Washer	Rondelle	Scheibe
53	12156602/0	4	Dado	Nut	Ecrou	Mutter
61	12735694/0	2	Vite	Screw	Vis	Schraube
62	12523080/0	2	Rosetta	Washer	Rondelle	Scheibe
63	22160400/0	2	Disco Elastico	Elastic Washer	Disque Elastique	Federscheibe
64	182004357/0	2	Coltello Mulching	Right Blade Mulching	Lame Droite Mulching	Rechter Messer Mulching
65	25463200/0	2	Mozzo Coltello	Blade Hub	Moyeu Lame	Messerhalter
66	12139100/0	2	Linguetta	Feather	Clavette	Keil

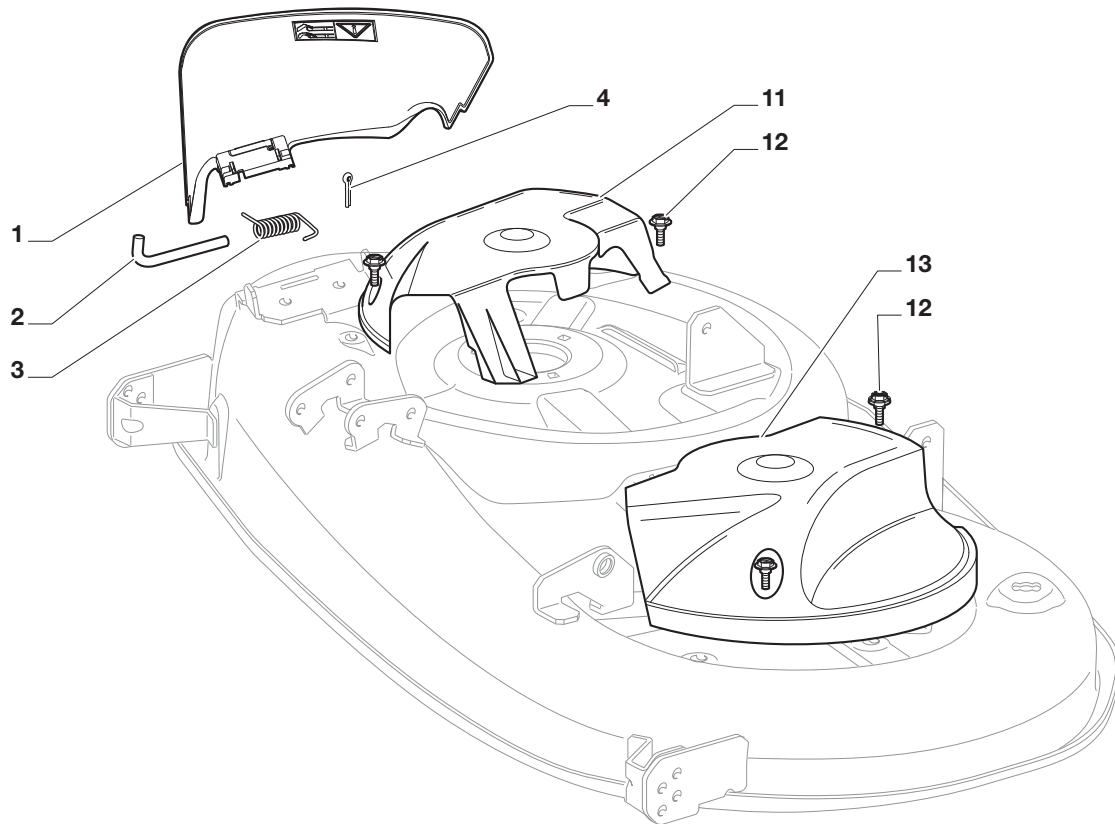


SD**98****98 hy****108****108 hy**
PIATTO DI TAGLIO (2)
CUTTING PLATE (2)
PLATEAU DE COUPE (2)
SCHNEIDWERKZEUG (2)

2011

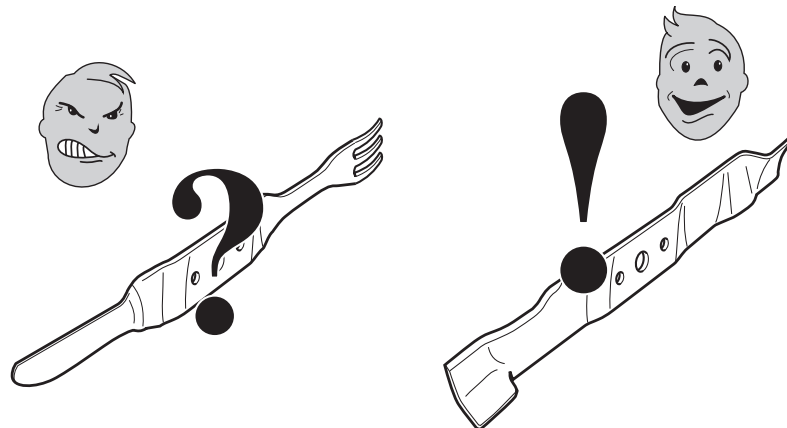
5108.0

1 / 1

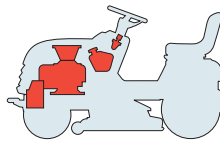


N.	CODE	Q.TY	DESCRIZIONE	DESCRIPTION	DESCRIPTION	BESCHREIBUNG
1	325600077/1	1	Protezione Uscita (SD98)	Exit Protection (SD98)	Protection En Sortie (SD98)	Auswurfschutz (SD98)
1	325600087/0	1	Protezione Uscita (SD108)	Exit Protection (SD108)	Protection En Sortie (SD108)	Auswurfschutz (SD108)
2	25510073/0	1	Perno	Pin	Pivot	Bolzen
3	125430242/1	1	Molla	Spring	Ressort	Feder
4	12141418/0	1	Coppiglia	Cotter Pin	Goupille	Split
11	325600078/0	1	Carter (SD98)	Case (SD98)	Carter (SD98)	Blech (SD98)
11	325600088/0	1	Carter (SD108)	Case (SD108)	Carter (SD108)	Blech (SD108)
12	125943006/0	4	Vite	Screw	Vis	Schraube
13	325600079/0	1	Carter (SD98)	Case (SD98)	Carter (SD98)	Blech (SD98)
13	325600089/0	1	Carter (SD108)	Case (SD108)	Carter (SD108)	Blech (SD108)





USARE SOLO RICAMBI ORIGINALI!
USE ONLY GENUINE SPARE PARTS!
UTILISER DES PIÈCES DE RECHANGE D'ORIGINE!
NUR ORIGINALERSATZTEILE VERWENDEN!

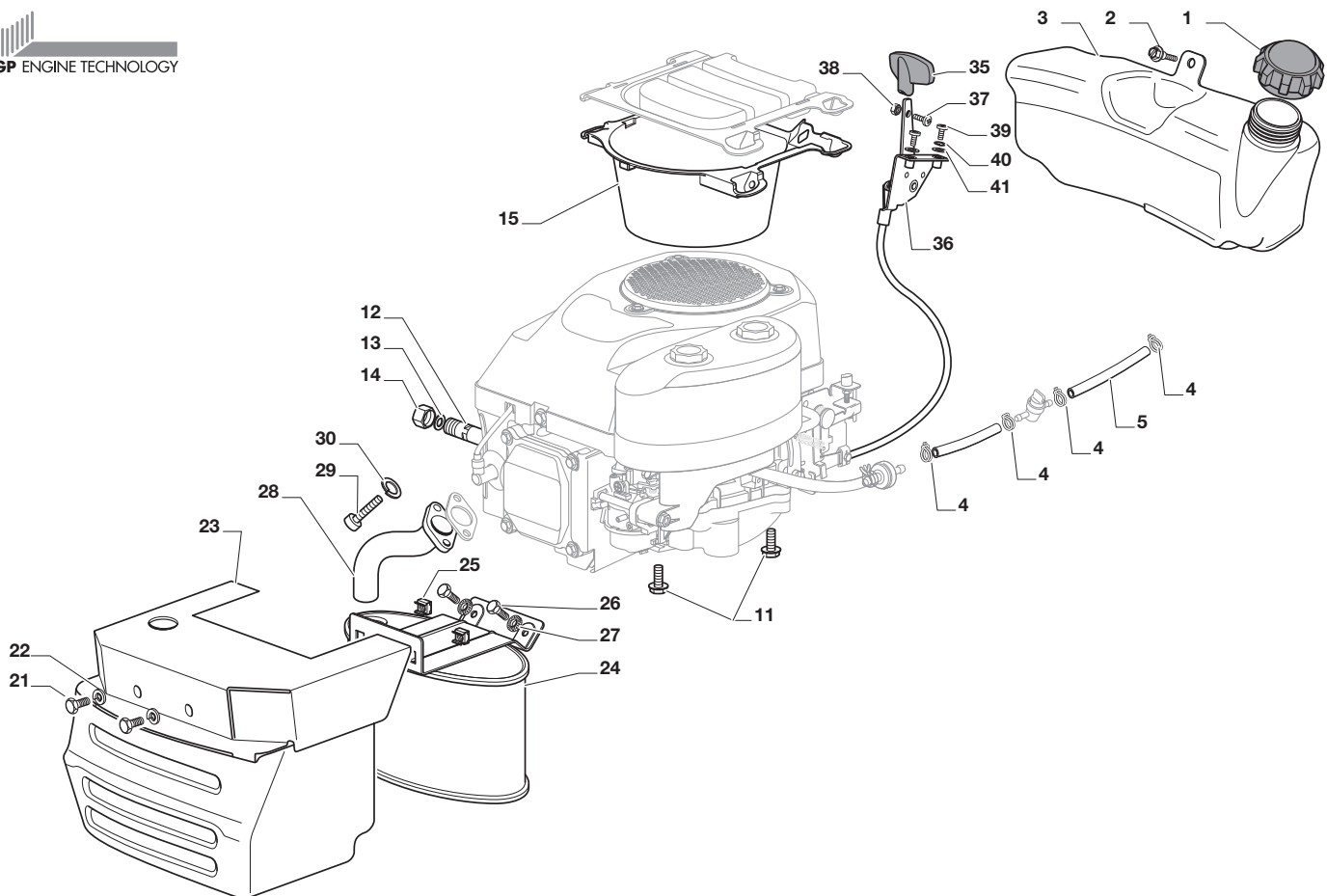
SD**98****98 hy****108****108 hy**

MOTORE E SERBATOIO
ENGINE AND FUEL TANK
MOTEUR ET RESERVOIR
MOTOR UND TANK
GGP

2011

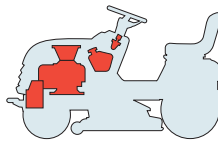
5109.0

1 / 1



N.	CODE	Q.TY	DESCRIZIONE	DESCRIPTION	DESCRIPTION	BESCHREIBUNG
1	25795001/1	1	Tappo Serbatoio	Cap	Bouchon	Tankverschluss
2	125943006/0	4	Vite	Screw	Vis	Schraube
3	325735126/0	1	Serbatoio	Tank	Reservoir	Tank
4	18375051/1	4	Fascetta	Fair Led	Fixation De Cable	Kabelbefestigung
5	25869057/0	1	Tubo Collegamento (1000 Mm)	Connecting Tube (1000 Mm)	Tube De Connexion (1000 Mm)	Verbindungsrohr (1000 Mm)
11	112735108/1	4	Vite	Screw	Vis	Schraube
12	27598060/0	1	Prolunga Scarico Olio	Oil Discharge Extension	Extension Dech. Huile	Öl Abfluss
13	18401001/1	1	Guarnizione	Oil Seal	Garniture	Dichtung
14	18737849/0	1	Tappo Prolunga	Oil Cap	Bouchon Huile	Oelverschluss
15	325108044/1	1	Convogliatore	Conveyor	Convoyeur	Konveyor
21	12792611/0	2	Vite	Screw	Vis	Schraube
22	12540260/0	2	Rosetta	Washer	Rondelle	Scheibe
23	382598045/0	1	Protezione Silenziatore	Muffler Protection	Protection Silencieux	Auspuffschutz
24	182750010/0	1	Silenziatore	Muffler	Silencieux	Auspuff
25	12360425/0	2	Dado	Nut	Ecrou	Mutter
26	12792611/0	2	Vite	Screw	Vis	Schraube
27	12540260/0	2	Rosetta	Washer	Rondelle	Scheibe
28	118738231/1	1	Tubo Raccordo Scarico	Exaust Connecting Tube	Tube De Connexion Pour Echapp.	Verbindungsrohr Für Abgasung
29	12737450/0	2	Vite	Screw	Vis	Schraube
30	12540260/0	2	Rosetta	Washer	Rondelle	Scheibe
35	325394531/0	1	Manopolina	Knob	Poignee	Griff
36	182000215/0	1	Acceleratore	Accelerator	Accelérateur	Gas Zug
37	112726389/0	1	Vite	Screw	Vis	Schraube
38	12290800/0	1	Dado	Nut	Ecrou	Mutter
39	112726389/0	2	Vite	Screw	Vis	Schraube
40	12540020/0	2	Rosetta	Washer	Rondelle	Scheibe
41	12521310/0	2	Rosetta	Washer	Rondelle	Scheibe



SD**98****98 hy****108****108 hy**

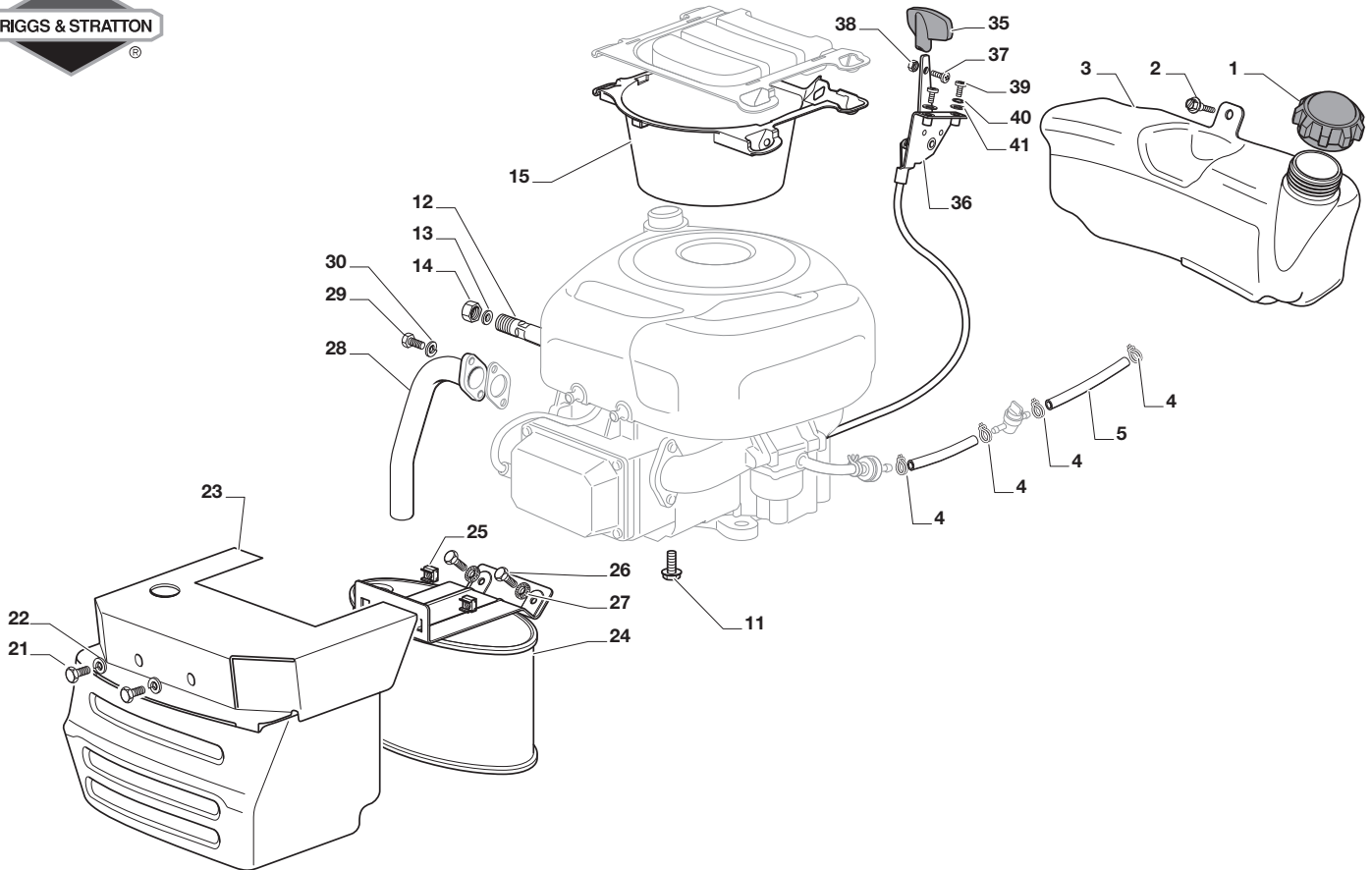
MOTORE E SERBATOIO
ENGINE AND FUEL TANK
MOTEUR ET RESERVOIR
MOTOR UND TANK
B&S 12,5 HP

2011

5109a.0

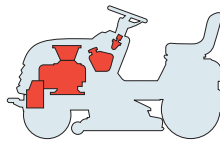
1 / 1

BRIGGS & STRATTON



N.	CODE	Q.TY	DESCRIZIONE	DESCRIPTION	DESCRIPTION	BESCHREIBUNG
1	25795001/1	1	Tappo Serbatoio	Cap	Bouchon	Tankverschluss
2	125943010/0	4	Vite	Screw	Vis	Schraube
3	325735126/0	1	Serbatoio	Tank	Reservoir	Tank
4	18375051/1	4	Fascetta	Fair Led	Fixation De Cable	Kabelbefestigung
5	25869057/0	1	Tube Collegamento (1000 Mm)	Connecting Tube (1000 Mm)	Tube De Connexion (1000 Mm)	Verbindungsrohr (1000 Mm)
6	12691100/0	3	Vite	Screw	Vis	Schraube
7	12154210/0	3	Dado	Nut	Ecrou	Mutter
8	12691115/0	1	Vite	Screw	Vis	Schraube
9	12540260/0	1	Rosetta	Washer	Rondelle	Scheibe
10	12154210/0	1	Dado	Nut	Ecrou	Mutter
12	25598050/0	1	Prolunga Scarico Olio	Oil Discharge Extension	Extension Dech. Huile	Öl Abfluss
13	18401001/1	1	Guarnizione	Oil Seal	Garniture	Dichtung
14	18737849/0	1	Tappo Prolunga	Oil Cap	Bouchon Huile	Oelverschluss
15	325108044/1	1	Convogliatore	Conveyor	Convoyeur	Konveyor
21	12792611/0	2	Vite	Screw	Vis	Schraube
22	12540260/0	2	Rosetta	Washer	Rondelle	Scheibe
23	382598047/0	1	Protezione Silenziatore	Muffler Protection	Protection Silencieux	Auspuffschutz
24	182750010/0	1	Silenziatore	Muffler	Silenceux	Auspuff
25	12360425/0	2	Dado	Nut	Ecrou	Mutter
26	12792611/0	2	Vite	Screw	Vis	Schraube
27	12540260/0	2	Rosetta	Washer	Rondelle	Scheibe
28	18738224/0	1	Tube Raccordo Scarico	Exaust Connecting Tube	Tube De Connexion Pour Echapp.	Verbindungsrohr Für Abgasung
29	12737450/0	2	Vite	Screw	Vis	Schraube
30	12540260/0	2	Rosetta	Washer	Rondelle	Scheibe
31	12691115/0	1	Vite	Screw	Vis	Schraube
32	12154210/0	1	Dado	Nut	Ecrou	Mutter
35	325394531/0	1	Manopolina	Knob	Poignee	Griff
36	182000216/0	1	Acceleratore	Accelerator	Accelérateur	Gas Zug
37	112726389/0	1	Vite	Screw	Vis	Schraube
38	12290800/0	1	Dado	Nut	Ecrou	Mutter
39	112726389/0	2	Vite	Screw	Vis	Schraube
40	12540020/0	2	Rosetta	Washer	Rondelle	Scheibe
41	12521310/0	2	Rosetta	Washer	Rondelle	Scheibe



SD**98****98 hy****108****108 hy**
MOTORE E SERBATOIO
ENGINE AND FUEL TANK
MOTEUR ET RESERVOIR
MOTOR UND TANK
B&S 15,5 - 16,5 - 17,5 - 18,5 HP

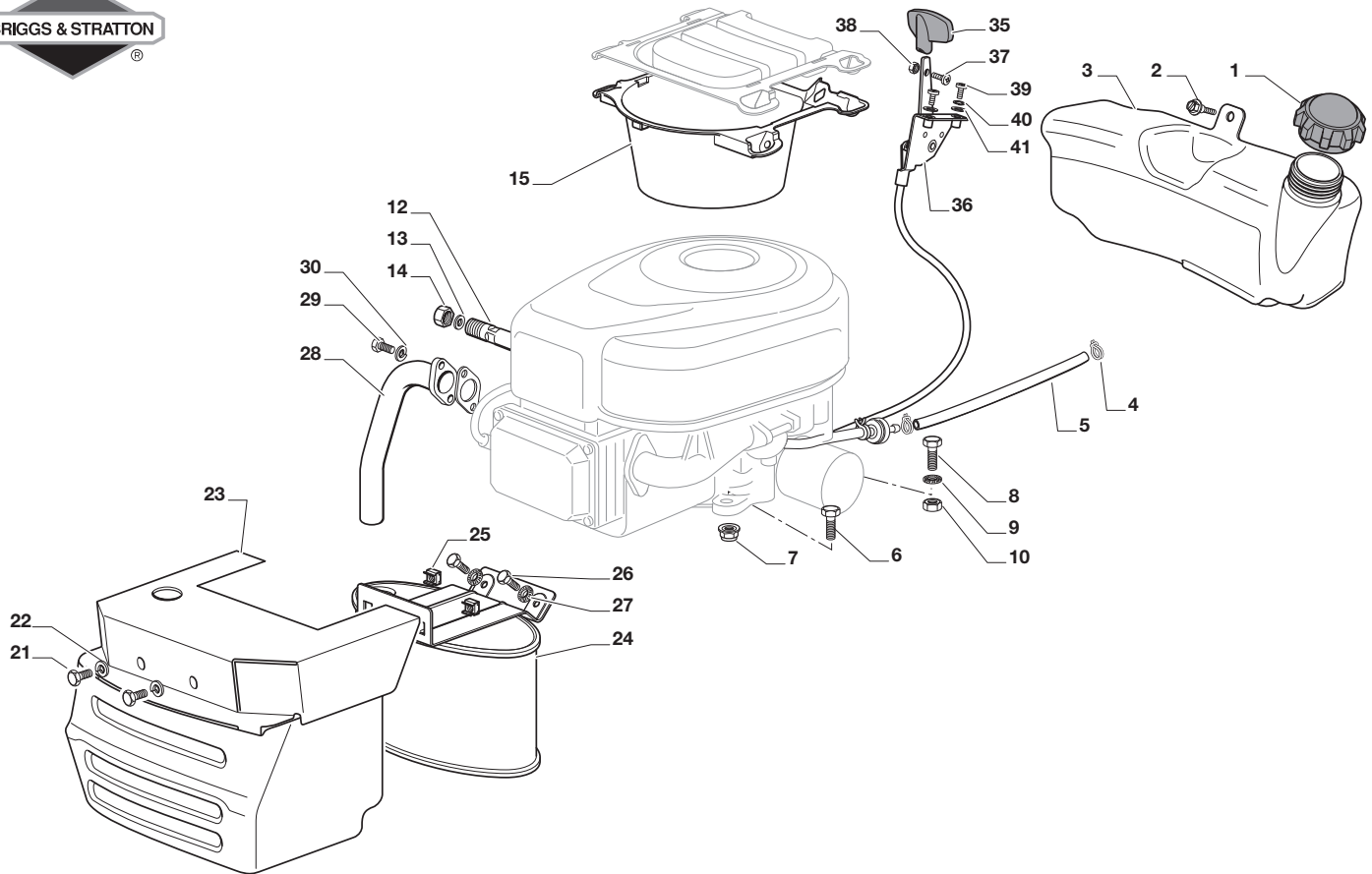
2011

5109b.0

1 / 1

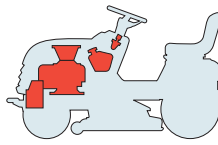
BRIGGS & STRATTON

®



N.	CODE	Q.TY	DESCRIZIONE	DESCRIPTION	DESCRIPTION	BESCHREIBUNG
1	25795001/1	1	Tappo Serbatoio	Cap	Bouchon	Tankverschluss
2	125943010/0	4	Vite	Screw	Vis	Schraube
3	325735126/0	1	Serbatoio	Tank	Reservoir	Tank
4	18375051/1	2	Fascetta	Fair Led	Fixation De Cable	Kabelbefestigung
5	25869057/0	1	Tubo Collegamento (1000 Mm)	Connecting Tube (1000 Mm)	Tube De Connexion (1000 Mm)	Verbindungsrohr (1000 Mm)
6	12691100/0	3	Vite	Screw	Vis	Schraube
7	12154210/0	3	Dado	Nut	Ecrou	Mutter
8	12691115/0	1	Vite	Screw	Vis	Schraube
9	12540260/0	1	Rosetta	Washer	Rondelle	Scheibe
10	12154210/0	1	Dado	Nut	Ecrou	Mutter
12	25598050/0	1	Prolunga Scarico Olio	Oil Discharge Extension	Extension Dech. Huile	Öl Abfluss
13	18401001/1	1	Guarnizione	Oil Seal	Garniture	Dichtung
14	18737849/0	1	Tappo Prolunga	Oil Cap	Bouchon Huile	Oelverschluss
15	325108044/1	1	Convogliatore	Conveyor	Convoyeur	Konveyor
21	12792611/0	2	Vite	Screw	Vis	Schraube
22	12540260/0	2	Rosetta	Washer	Rondelle	Scheibe
23	382598047/0	1	Protezione Silenziatore	Muffler Protection	Protection Silencieux	Auspuffschutz
24	182750010/0	1	Silenziatore	Muffler	Silencieux	Auspuff
25	12360425/0	2	Dado	Nut	Ecrou	Mutter
26	12792611/0	2	Vite	Screw	Vis	Schraube
27	12540260/0	2	Rosetta	Washer	Rondelle	Scheibe
28	18738206/0	1	Tubo Raccordo Scarico	Exhaust Connecting Tube	Tube De Connexion Pour Echapp.	Verbindungsrohr Für Abgasung
29	12737450/0	2	Vite	Screw	Vis	Schraube
30	12540260/0	2	Rosetta	Washer	Rondelle	Scheibe
35	325394531/0	1	Manopolina	Knob	Poignee	Griff
36	182000216/0	1	Acceleratore	Accelerator	Accelérateur	Gas Zug
37	112726389/0	1	Vite	Screw	Vis	Schraube
38	12290800/0	1	Dado	Nut	Ecrou	Mutter
39	112726389/0	2	Vite	Screw	Vis	Schraube
40	12540020/0	2	Rosetta	Washer	Rondelle	Scheibe
41	12521310/0	2	Rosetta	Washer	Rondelle	Scheibe



SD**98****98 hy****108****108 hy**

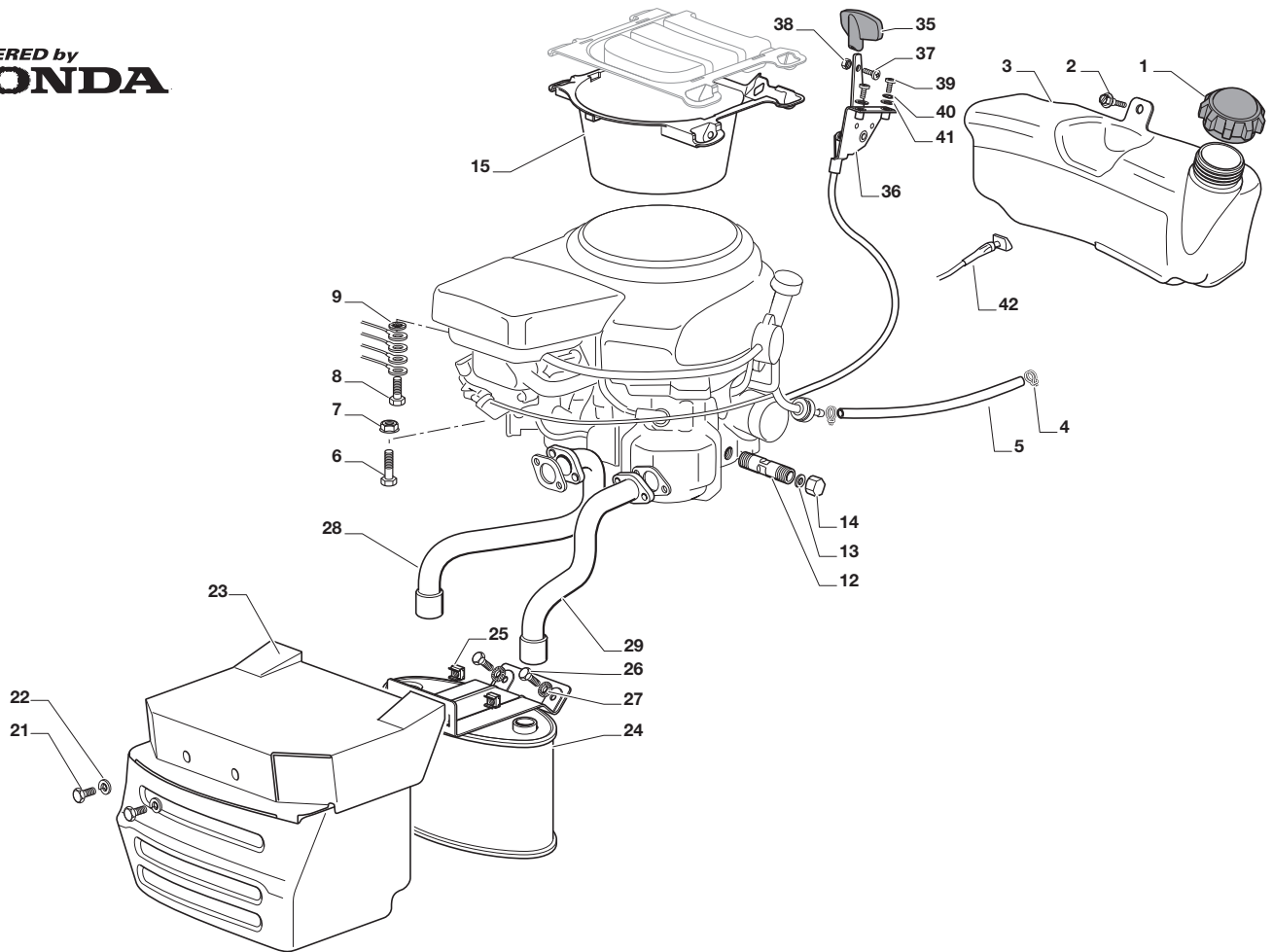
MOTORE E SERBATOIO
ENGINE AND FUEL TANK
MOTEUR ET RESERVOIR
MOTOR UND TANK
HONDA

2011

5109c.0

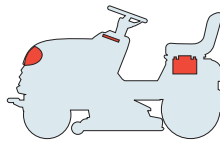
1 / 1

POWERED by
HONDA



N.	CODE	Q.TY	DESCRIZIONE	DESCRIPTION	DESCRIPTION	BESCHREIBUNG
1	25795001/1	1	Tappo Serbatoio	Cap	Bouchon	Tankverschluss
2	125943010/0	4	Vite	Screw	Vis	Schraube
3	325735126/0	1	Serbatoio	Tank	Reservoir	Tank
4	18375051/1	2	Fascetta	Fair Led	Fixation De Cable	Kabelbefestigung
5	25869057/0	1	Tubo Collegamento (1000 Mm)	Connecting Tube (1000 Mm)	Tube De Connexion (1000 Mm)	Verbindungsrohr (1000 Mm)
6	12691115/0	4	Vite	Screw	Vis	Schraube
7	12154210/0	4	Dado	Nut	Ecrou	Mutter
8	12735599/0	1	Vite	Screw	Vis	Schraube
9	12540260/0	1	Rosetta	Washer	Rondelle	Scheibe
12	25598052/0	1	Prolunga Scarico Olio	Oil Discharge Extension	Extension Dech. Huile	Öl Abfluss
13	18401001/1	1	Guarnizione	Oil Seal	Garniture	Dichtung
14	18737849/0	1	Tappo Prolunga	Oil Cap	Bouchon Huile	Oelverschluss
15	325108045/1	1	Convogliatore	Conveyor	Convoyeur	Konveyor
21	12792611/0	2	Vite	Screw	Vis	Schraube
22	12540260/0	2	Rosetta	Washer	Rondelle	Scheibe
23	382598049/0	1	Protezione Silenziatore	Muffler Protection	Protection Silencieux	Auspuffschutz
24	82750003/0	1	Silenziatore	Muffler	Silenceux	Auspuff
25	12360425/0	2	Dado	Nut	Ecrou	Mutter
26	12792611/0	2	Vite	Screw	Vis	Schraube
27	12540260/0	2	Rosetta	Washer	Rondelle	Scheibe
28	18738221/0	1	Tubo Scarico Destro	Exhaust Tube Right	Tube Echappement Droit	Abgasrohr, Rechte
29	18738222/0	1	Tubo Scarico Sinistro	Exhaust Tube Left	Tube Echappement Gau.	Abgasrohr, Linke
35	325394531/0	1	Manopolina	Knob	Poignee	Griff
36	182000217/0	1	Acceleratore	Accelerator	Accelérateur	Gas Zug
37	112726389/0	1	Vite	Screw	Vis	Schraube
38	12290800/0	1	Dado	Nut	Ecrou	Mutter
39	112726389/0	2	Vite	Screw	Vis	Schraube
40	12540020/0	2	Rosetta	Washer	Rondelle	Scheibe
41	12521310/0	2	Rosetta	Washer	Rondelle	Scheibe
42	125090006/0	1	Comando Starter	Choke Control	Commande Starter	Starter Betaetigung



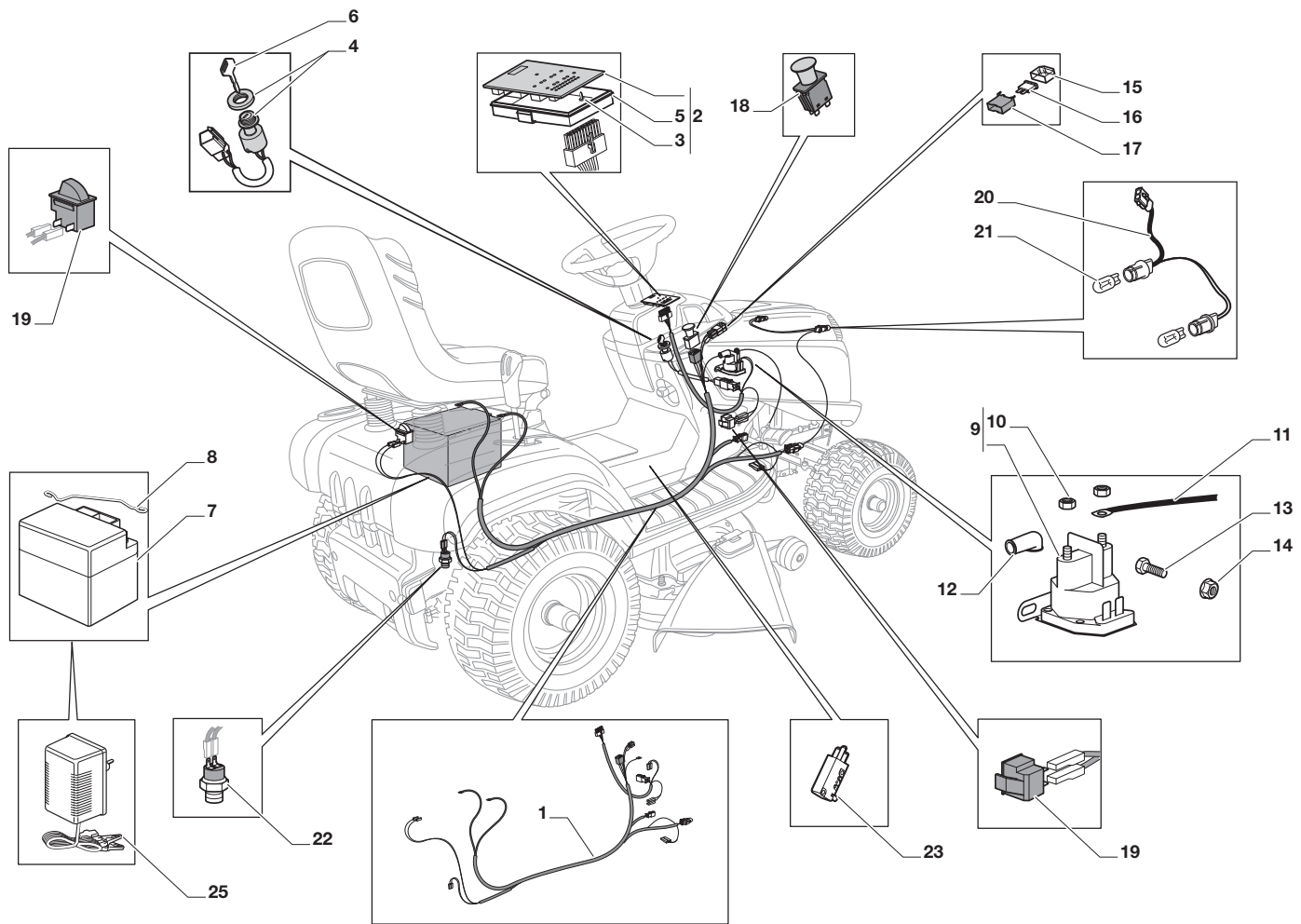
SD**98****98 hy****108****108 hy**

PARTI ELETTRICHE
ELECTRICAL PARTS
PARTIES ELECTRIQUES
ELETRISCHETEILE
GGP - B&S

2011

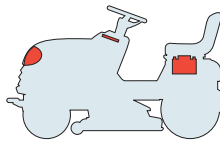
5110.0

1 / 1



N.	CODE	Q.TY	DESCRIZIONE	DESCRIPTION	DESCRIPTION	BESCHREIBUNG
1	182040150/0	1	Cablaggio	Cables Ass.Y	Ens. Cablages	Kabelsatz
1	182040158/0	1	Cablaggio Hydro	Cables Ass.Y Hydro	Ens. Cablages Hydro	Kabelsatz Hydro
2	125722433/0	1	Scheda Elettronica (GGP)	Electronic Card (GGP)	Carte Electronique (GGP)	Elektronische Karte (GGP)
2	382722429/0	1	Scheda Elettronica (B&S)	Electronic Card (B&S)	Carte Electronique (B&S)	Elektronische Karte (B&S)
3	12735101/0	1	Vite	Screw	Vis	Schraube
4	118450075/0	1	Interruttore Avviam.	Starting Switch	Interrupteur Demarr.	Schalter
5	325600080/0	1	Protezione Scheda	Card Protection	Protection De Carte	Karteschutz
6	118210023/0	1	Chiave Avviamento	Starting Key	Clef A Demarrage	Schlüssel Für Start
7	18120002/1	1	Batteria	Battery	Batterie	Batterie
8	125430265/0	1	Molla	Spring	Ressort	Feder
9	18736111/0	1	Relé Avviamento	Starter Relay	Relais D'Allumage	Anlassrelais
10	12360352/0	2	Dado	Nut	Ecrou	Mutter
11	25065002/0	1	Cavo Relé Avv.	Cable	Cable	Kabel
12	18564864/1	1	Cappuccio	Protection	Capuchon	Stecker
13	12790781/0	1	Vite	Screw	Vis	Schraube
14	12154510/0	2	Dado	Nut	Ecrou	Mutter
15	33215000/0	2	Coperchio	Cover	Couvercle	Deckel
16	33340040/0	1	Fusibile 10 A	Fuse 10 A	Fusible 10 A	Sicherung 10 A
16	33340036/0	1	Fusibile 25 A	Fuse 25 A	Fusible 25 A	Sicherung 25 A
17	33500007/0	2	Portafusibile	Fuse Carrier	Tableau De Fusible	Sicherungshalter
18	118450074/0	1	Interruttore Frizione	Clutch Switch	Interrupteur Embrajage	Kupplung Schalter
19	119410613/0	2	Micro Interruttore	Micro	Micro	Mikro
20	82040073/0	1	Cablaggio Lampade	Cable	Cables	Kabel
21	18459100/0	2	Lampada	Farilamp For Lights	Lampe Pour Phares	Lampenfassung
22	19410610/0	1	Micro Folle (Mecc.)	Neutral Switch (Mech.)	Micro. Point Mort (Mec.)	Leerlauf Mikrosch.(Mech.)
23	19410609/0	1	Micro Folle (Hydro)	Neutral Switch (Hydro)	Micro. Point Mort (Hydro)	Leerlauf Mikrosch. (Hydro)
25	182180090/0	1	Carica Batterie	Battery Charger	Chargeur De Batteries	Batterieladegerät
25	182180091/0	1	Carica Batterie (U.K.)	Battery Charger (U.K.)	Chargeur De Batteries (U.K.)	Batterieladegerät (U.K.)



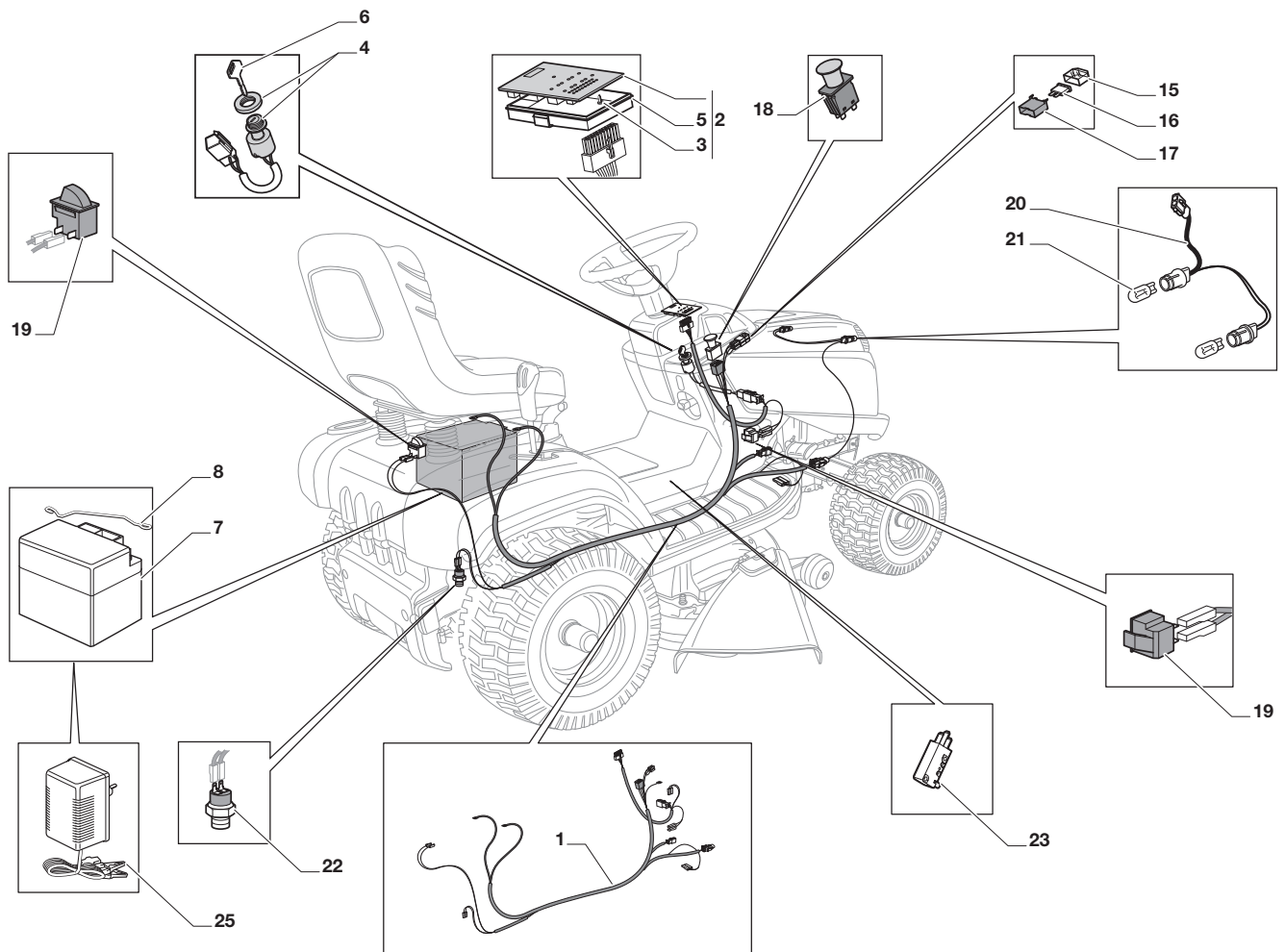
SD**98****98 hy****108****108 hy**

PARTI ELETTRICHE
ELECTRICAL PARTS
PARTIES ELECTRIQUES
ELETRISCHETEILE
HONDA

2011

5110a.0

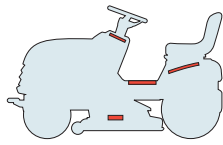
1 / 1



N.	CODE	Q.TY	DESCRIZIONE	DESCRIPTION	DESCRIPTION	BESCHREIBUNG
1	182040157/0	1	Cablaggio	Cables Ass.Y	Ens. Cablages	Kabelsatz
2	382722429/0	1	Scheda Elettronica	Electronic Card	Carte Electronique	Elektronische Karte
3	12735101/0	1	Vite	Screw	Vis	Schraube
4	118450075/0	1	Interruttore Avviam.	Starting Switch	Interrupteur Demarr.	Schalter
5	325600080/0	1	Protezione Scheda	Card Protection	Protection De Carte	Kartenschutz
6	118210023/0	1	Chiave Avviamento	Starting Key	Clef A Demarrage	Schlüssel Für Start
7	18120002/1	1	Batteria	Battery	Batterie	Batterie
8	125430265/0	1	Molla	Spring	Ressort	Feder
15	33215000/0	2	Coperchio	Cover	Couvercle	Deckel
16	33340040/0	1	Fusibile 10 A	Fuse 10 A	Fusible 10 A	Sicherung 10 A
16	33340036/0	1	Fusibile 25 A	Fuse 25 A	Fusible 25 A	Sicherung 25 A
17	33500007/0	2	Portafusibile	Fuse Carrier	Tableau De Fusible	Sicherungshalter
18	118450074/0	1	Interruttore Frizione	Clutch Switch	Interrupteur Embrajage	Kupplung Schalter
19	119410613/0	2	Micro Interruttore	Micro	Micro	Mikro
20	82040073/0	1	Cablaggio Lampade	Cable	Cables	Kabel
21	18459100/0	2	Lampada	Farilamp For Lights	Lampe Pour Phares	Lampenfassun
22	19410610/0	1	Micro Folle (Mecc.)	Neutral Switch (Mech.)	Micro. Point Mort (Mec.)	Leerlauf Mikrosch.(Mech.)
25	182180090/0	1	Carica Batterie	Battery Charger	Chargeur De Batteries	Batterieladegerät
25	182180091/0	1	Carica Batterie (U.K.)	Battery Charger (U.K.)	Chargeur De Batteries (U.K.)	Batterieladegerät (U.K.)



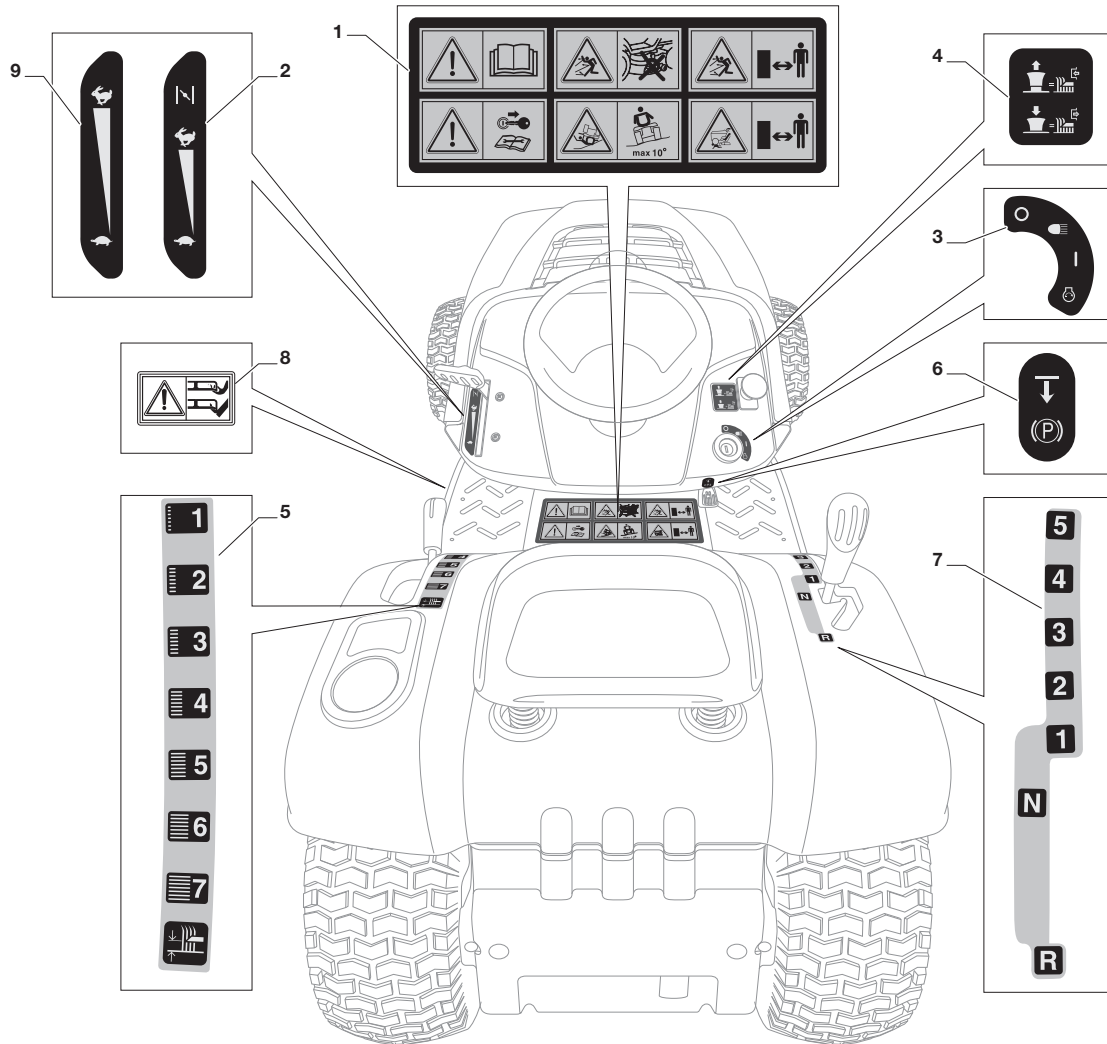
SD

98**98 hy****108****108 hy****ETICHETTE
LABELS
ETIQUETTES
KLEBZETTEL**

2011

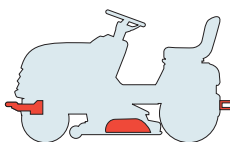
5111.0

1 / 1



N.	CODE	Q.TY	DESCRIZIONE	DESCRIPTION	DESCRIPTION	BESCHREIBUNG
1	114362365/1	1	Etichetta	Label	Etiquette	Klebzettel
2	114363697/0	1	Etichetta (GGP - B&S)	Label (GGP - B&S)	Etiquette (GGP - B&S)	Klebzettel (GGP - B&S)
3	114363699/0	1	Etichetta	Label	Etiquette	Klebzettel
4	14361438/0	1	Etichetta	Label	Etiquette	Klebzettel
5	114363701/0	1	Etichetta	Label	Etiquette	Klebzettel
6	114363700/0	1	Etichetta	Label	Etiquette	Klebzettel
7	114363451/0	1	Etichetta (Mecc.)	Label (Mech.)	Etiquette (Mec.)	Klebzettel (Mech.)
8	114356699/1	1	Etichetta	Label	Etiquette	Klebzettel
9	114364617/0	1	Etichetta (Honda)	Label (Honda)	Etiquette (Honda)	Klebzettel (Honda)



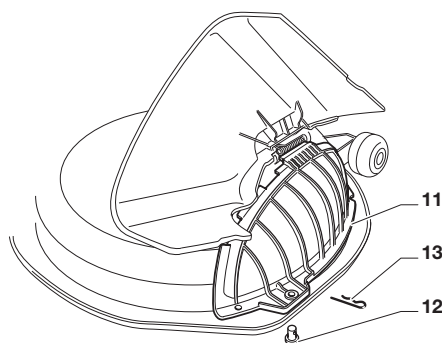
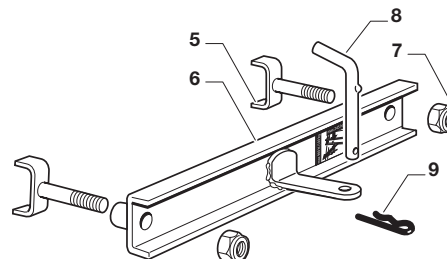
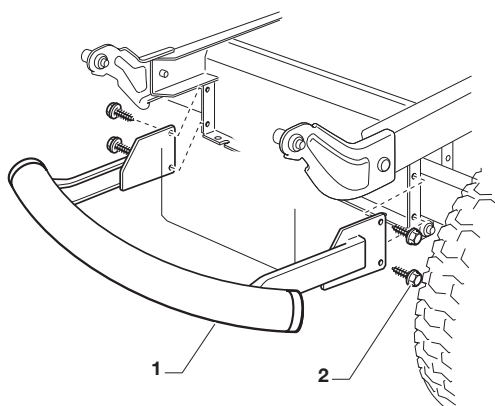
SD**98****98 hy****108****108 hy**

ACCESSORI A RICHIESTA
OPTIONALS ON REQUEST
ACCESSOIRES SUR DEMANDE
ZUBEHOERE NACH ANFRAGE

2011

5112.0

1 / 1



N.	CODE	Q.TY	DESCRIZIONE	DESCRIPTION	DESCRIPTION	BESCHREIBUNG
1	382869038/0	1	Protezione Silenziatore	Muffler Protection	Protection Silencieux	Auspuffschutz
2	125943008/0	4	Vite	Screw	Vis	Schraube
5	382650211/0	2	Rinforzo	Stiffening	Renforcement	Verstaerkung
6	382033111/0	1	Barra	Rod	Barre	Stange
7	12155000/0	2	Dado	Nut	Ecrou	Mutter
8	25510021/1	1	Perno	Pin	Pivot	Bolzen
9	24487999/0	1	Coppiglia	Cotter Pin	Goupille	Split
11	325140099/0	1	Deflettore (SD 98)	Deflector (SD 98)	Deflecteur (SD 98)	Abweiser (SD 98)
11	325140101/0	1	Deflettore (SD 108)	Deflector (SD 108)	Deflecteur (SD 108)	Abweiser (SD 108)
12	125510111/0	1	Perno	Pin	Pivot	Bolzen
13	24487998/0	1	Coppiglia	Cotter Pin	Goupille	Split

