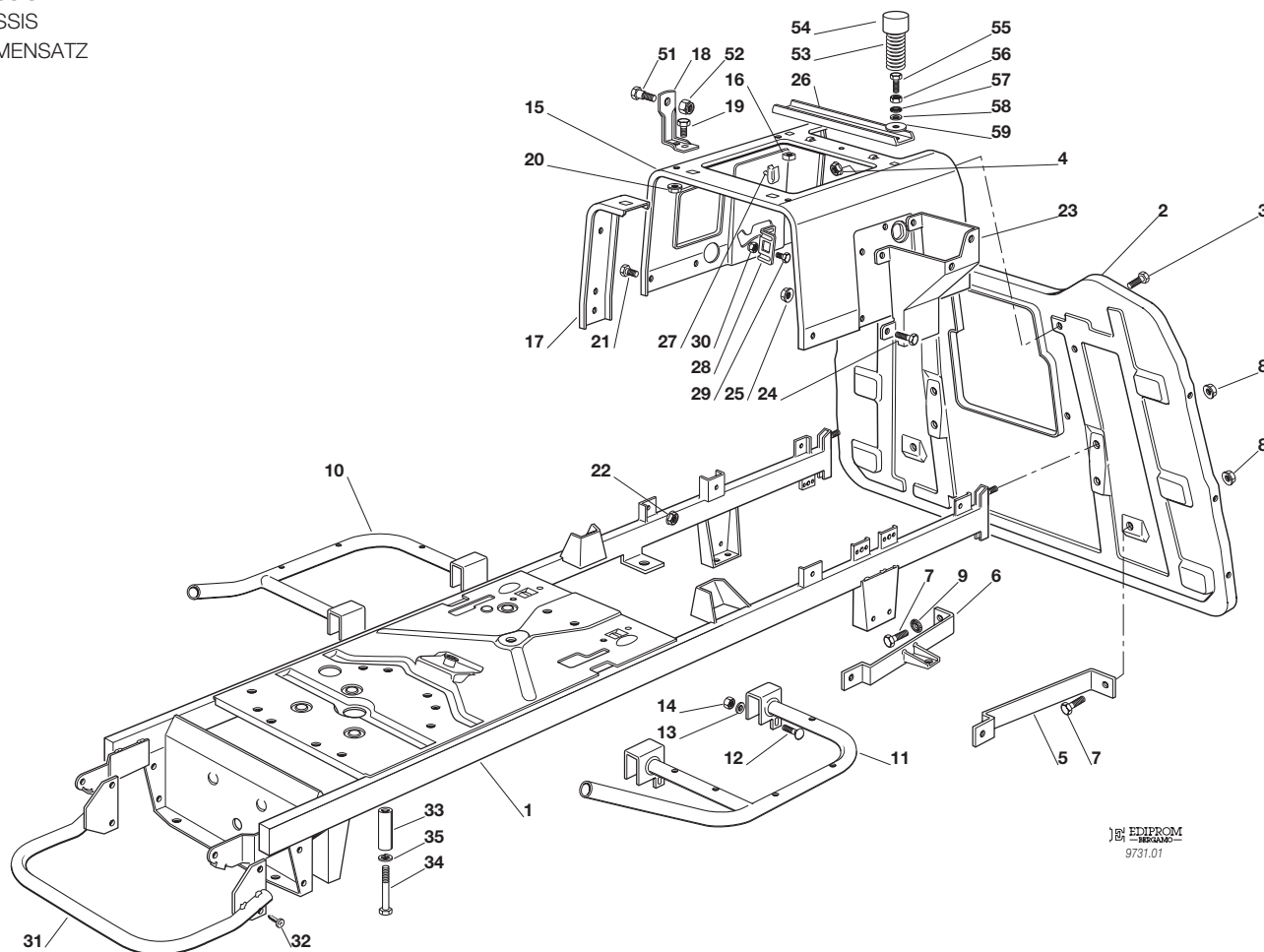


INDICE	TABLE OF CONTENT	INDEX	INHALT	Mod. 1998	000
				J92	J92 hydro
TELAIO CHASSIS CHASSIS RAHMENSATZ				001	001
CORROZZERIA BODY CARROSSERIE KARROSSERIE				002	002
GRUPPO STERZO STEERING GROUP GROUPE BARRE DE DIRECTION LENKGETRIEBE				003	003
COMANDO FRENO E COMANDO CAMBIO BRAKE AND GEARBOX CONTROLS COMMANDE FREIN ET BOITE DE VITESSE BREMSE UND WECHSEL ANTRIEB				004	-
GRUPPO COMANDO TRASMISSIONE E FRENO DRIVE AND BRAKE CONTROL UNIT GROUPE COMMANDE TRANSMISSION ET FREIN STEUERUNGSGRUPPE FÜR GETRIEBE UND BREMSE				-	004.1
GRUPPO MOTORE ENGINE ASS.Y GROUPE MOTEUR MOTORSATZ 10,5 - 12,5 HP B&S				005	005
11 - 13 HP TECUMSEH				005a	005a
15,5 HP B&S				-	005b
GRUPPO TRASMISSIONE TRANSMISSION GROUP GROUPE TRANSMISSION GETRIEBE				006	006.1
SOLLEVAMENTO PIATTO CUTTING PLATE LIFTING SOULEVEMENT PLATEAU DE COUPE SCHNEIDWERKZEUG AUFHEBESATZ				007	007
PIATTO DI TAGLIO CUTTING PLATE PLATEAU DE COUPE SCHNEIDWERKZEUG 1				008	008
2				009	009
GRUPPO SACCO (1. - PARTE FISSA) GRASSCATCHER GROUP (1. - FIXED PART) GROUPE SAC (1. - PARTIE FIXE) GRASFANGEINRICHTUNG (1. - FESTER TEIL)				010	010
GRUPPO SACCO (2. - PARTE MOBILE) GRASSCATCHER GROUP (2. - MOBILE PART) GROUPE SAC (2. - PARTIE MOBILE) GRASFANGEINRICHTUNG (2. - BEWEGLICHER TEIL)				011	011
GRUPPO PARTI ELETTRICHE ELECTRICAL PARTS GROUP GROUPE PARTIES ELECTRIQUES ELETRISCHETEILE				012	012.1
ACCESSORI A RICHIESTA OPTIONALS ON REQUEST ACCESSOIRES SUR DEMANDE ZUBEHOERE NACH ANFRAGE				013	013
SCHEMA ELETTRICO WIRE DIAGRAM SCHEMA ELECTRONIQUE ELEKTRISCHES SCHEMA 10,5 - 12,5 HP B&S - 13 HP TECUMSEH				014	014.1
15,5 HP B&S				014a	014a.1

TELAIO
 CHASSIS
 CHASSIS
 RAHMENSATZ

Mod. 1998

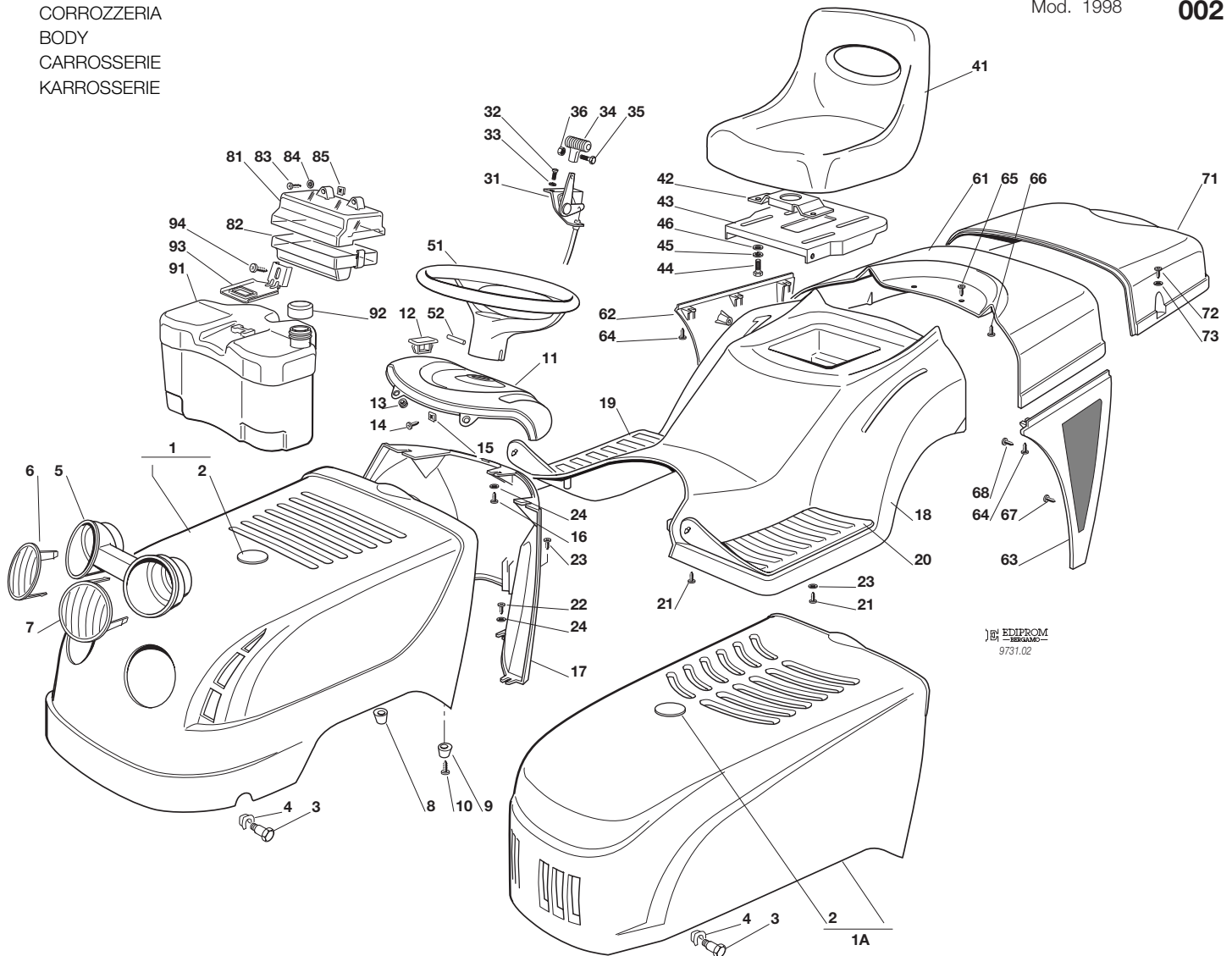
001



Pos. Nr.	Codice Kodex Code	Descrizione	Description	Description	Beschreibung	Q.tà Q.ty Q.té Menge
1	82800034/0	TELAIO	CHASSIS	CHASSIS	RAHMENSATZ	1
2	82547009/1	PIASTRA	PLATE	PLAQUE	PLATTE	1
3	12790780/0	VITE	SCREW	VIS	SCHRAUBE	4
4	12292102/0	DADO	NUT	ECROU	MUTTER	4
5	25650046/0	RINFORZO	PLATE STIFFENING	REINFORCEMENT PLAQUE	PLATTEVERSTAERKUNG	1
6	82650201/0	RINFORZO DESTRO	PLATE STIFFENING, RIGHT	REINFORCEMENT PLAQUE, DROIT	RECHTE PLATTE-VERSTAERKUNG	1
7	12792610/0	VITE	SCREW	VIS	SCHRAUBE	4
8	12293201/0	DADO	NUT	ECROU	MUTTER	6
9	12540260/0	ROSETTA	WASHER	RONDELLE	SCHEIBE	1
10	82800019/0	SUPPORTO PEDANA DESTRA	RIGHT FOOTBOARD SUPPORT	MARCHEPIED DROITE SUPPORT	RECHTE FUSSBRETTHALTER	1
11	82800021/0	SUPPORTO PEDANA SINISTRA	LEFT FOOTBOARD SUPPORT	SUPPORT MARCHEPIED GAUCHE	LINKE FUSSBRETTHALTER	1
12	12815240/0	VITE	SCREW	VIS	SCHRAUBE	4
13	12523040/0	ROSETTA	WASHER	RONDELLE	SCHEIBE	4
14	12154510/0	DADO	NUT	ECROU	MUTTER	4
15	25785119/0	SUPPORTO SEDILE	SEAT SUPPORT	SUPPORT SIEGE	SITZHALTER	1
16	12360420/0	DADO	NUT	ECROU	MUTTER	2
17	25650055/0	RINFORZO	PLATE STIFFENING	REINFORCEMENT PLAQUE	PLATTEVERSTAERKUNG	2
18	25755008/0	SQUADRETTA	BRACKET	EQUERRE-SUPPORT	WINKEL	2
19	12792610/0	VITE	SCREW	VIS	SCHRAUBE	2
20	12293201/0	DADO	NUT	ECROU	MUTTER	2
21	12790780/0	VITE	SCREW	VIS	SCHRAUBE	4
22	12292102/0	DADO	NUT	ECROU	MUTTER	4
23	25785057/0	SUPPORTO	SUPPORT	SUPPORT	HALTER	1

Pos. Nr.	Codice Kodex Code	Descrizione	Description	Description	Beschreibung	Q.tà Q.ty Q.té Menge
24	12790780/0	VITE	SCREW	VIS	SCHRAUBE	4
25	12292102/0	DADO	NUT	ECROU	MUTTER	4
26	25650056/0	RINFORZO	PLATE STIFFENING	RENFORCEMENT PLAQUE	PLATTEVERSTAERKUNG	1
27	33320506/0	FERMACAVO	FAIR LED	FIXATION DE CABLE	KABELBEFESTIGUNG	4
28	25755016/0	SQUADRETTA	BRACKET	EQUERRE-SUPPORT	WINKEL	1
29	12789000/0	VITE	SCREW	VIS	SCHRAUBE	2
30	12154330/0	DADO	NUT	ECROU	MUTTER	2
31	82869011/0	PROTEZIONE SILENZIATORE	MUFFLER PROTECTION	PROTECTION SILENCIEUX	AUSPUFFSCHUTZ	1
32	12734995/0	VITE	SCREW	VIS	SCHRAUBE	4
33	25580011/0	PIOLO GUIDACINGHIA	BELT GUIDE	GUIDE DE COURROIRE	RIEMENFÜHRUNG	2
34	12691700/0	VITE	SCREW	VIS	SCHRAUBE	2
35	12583500/0	GROWER	GROWER	GROWER	GROWER	2
51	22524970/1	PERNO	PIN	PIVOT	BOLZEN	2
52	12155010/0	DADO	NUT	ECROU	MUTTER	2
53	25430205/0	MOLLA	SPRING	RESSORT	FEDER	2
54	25122000/0	CUFFIA	HOOD	PROTECTEUR	SCHUTZKASTEN	2
55	25943001/0	VITE	SCREW	VIS	SCHRAUBE	2
56	12293200/0	DADO	NUT	ECROU	MUTTER	2
57	12583500/0	GROWER	GROWER	GROWER	GROWER	2
58	12521350/0	RONDELLA	WASHER	RONDELLE	SCHEIBE	2
59	12523060/0	RONDELLA	WASHER	RONDELLE	SCHEIBE	2

CORROZZERIA
 BODY
 CARROSSERIE
 KARROSSERIE

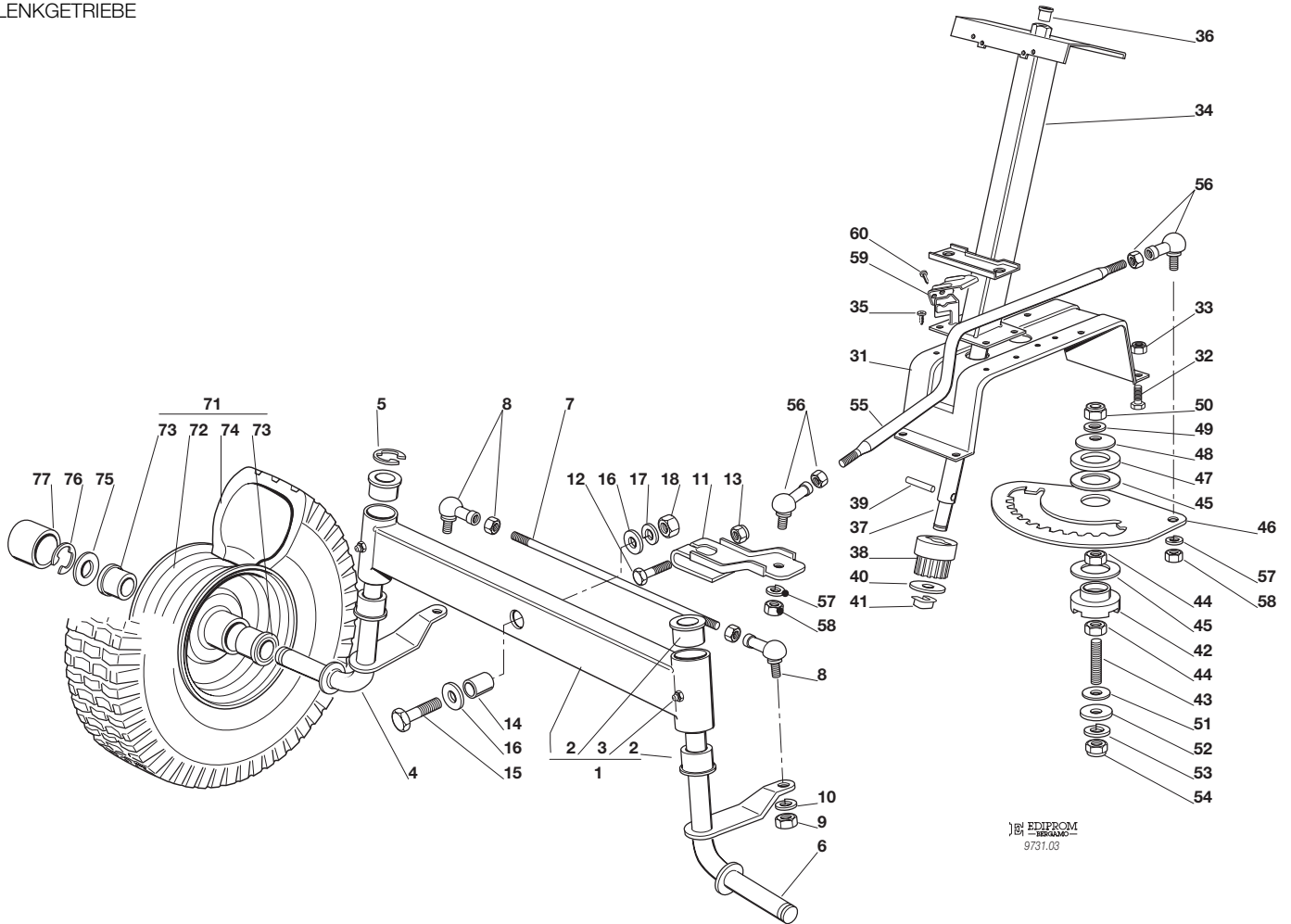


EDIPROM
 BERGAMO
 9731.02

Pos. Nr.	Codice Kodex Code	Descrizione	Description	Description	Beschreibung	Q.tà Q.ty Q.té Menge
1	82076886/0	COFANO ROSSO	ENGINE HOOD RED	CAPOT ROUGE	HAUBESATZ ROT	1
	82076887/0	VERDE	GREEN	VERT	GRÜN	
	82076888/0	GIALLO	YELLOW	JAUNE	GELB	
	82076889/0	BLU	BLUE	BLEU	BLAU	
1A	82076884/1	COFANO ROSSO	ENGINE HOOD RED	CAPOT ROUGE	HAUBESATZ ROT	1
	82076885/1	VERDE	GREEN	VERT	GRÜN	
	82076891/0	GIALLO	YELLOW	JAUNE	GELB	
2	25547025/0	PIASTRINA ROSSA	PLATE RED	PLAQUE ROUGE	PLATTE ROT	1
	25547026/0	VERDE	GREEN	VERT	GRÜN	
	25547027/0	GIALLA	YELLOW	JAUNE	GELB	
	25547028/0	BLU	BLUE	BLEU	BLAU	
3	25510045/0	PERNO	PIN	PIVOT	BOLZEN	2
4	12436050/0	PIASTRINA	PLATE	PLAQUE	PLATTE	2
5	25485002/0	PARABOLA FARI	LIGHTS PARABOLA	PARABOLE	SCHWEINWERFERPARABEL	1
6	25410866/0	MASCHERINA DESTRA	RIGHT GRILL	PANNEAU DROITE	RECHTE SCHUTZ	1
7	25410867/0	MASCHERINA SINISTRA	LEFT GRILL	PANNEAU GAUCHE	LINKE SCHUTZ	1
8	25580012/0	PIOLO DESTRO	RIGHT PIN	BONDON DROITE	RECHTE DÜBEL	1
9	25580013/0	PIOLO SINISTRO	LEFT PIN	BONDON GAUCHE	LINKE DÜBEL	1
10	12727356/0	VITE	SCREW	VIS	SCHRAUBE	2
11	25120159/0	CRUSCOTTO ROSSO	DASHBOARD RED	TABLEAU COMMANDES ROUGE	KONSOLE ROT	1
	25120160/0	VERDE	GREEN	VERT	GRÜN	
	25120161/0	GIALLO	YELLOW	JAUNE	GELB	
	25120162/0	BLU	BLUE	BLEU	BLAU	

Pos. Nr.	Codice Kodex Code	Descrizione	Description	Description	Beschreibung	Q.tà Q.ty Q.té Menge
12	25547054/0	PIASTRINA ROSSO	PLATE RED	PLAQUE ROUGE	PLATTE ROT	1
	25547055/0	VERDE	GREEN	VERT	GRÜN	
	25547056/0	GIALLO	YELLOW	JAUNE	GELB	
	25547057/0	BLU	BLUE	BLEU	BLAU	
13	18564512/0	PASSACAVO	GROMMET	PROTECTION	SCHUTZ	2
14	12735110/0	VITE	SCREW	VIS	SCHRAUBE	2
15	12437502/0	PIASTRINA	PLATE	PLAQUE	PLATTE	2
16	12735402/0	VITE	SCREW	VIS	SCHRAUBE	3
17	25785025/0	SUPPORTO CRUSCOTTO ROSSO	DASHBOARD SUPPORT RED	SUPPORT TABLEAU COMM. ROUGE	KONSOLEHALTER ROT	1
	25785032/0	VERDE	GREEN	VERT	GRÜN	
	25785033/0	GIALLO	YELLOW	JAUNE	GELB	
	25785034/0	BLU	BLUE	BLEU	BLAU	
18	25110177/1	COPERTURA RUOTE ROSSO	WHEELS COVER RED	COUVRE-ROUES ROUGE	RADENKAPPE ROT	1
	25110193/1	VERDE	GREEN	VERT	GRÜN	
	25110194/1	GIALLO	YELLOW	JAUNE	GELB	
	25110195/1	BLU	BLUE	BLEU	BLAU	
18	25110184/0	COPERTURA RUOTE (hydro) ROSSO	WHEELS COVER (hydro) RED	COUVRE-ROUES (hydro) ROUGE	RADENKAPPE (hydro) ROT	1
	25110206/0	VERDE	GREEN	VERT	GRÜN	
	25110205/0	GIALLO	YELLOW	JAUNE	GELB	
	25110207/0	BLU	BLUE	BLEU	BLAU	
19	25110264/1	COPRIPEDANA DESTRA	RIGHT FOOTBOARDCOVER	COUVRE MARCHEPIED DRO.	RECHTE FUSSBRETTDECKEL	1
20	25110263/1	COPRIPEDANA SINISTRA	LEFT FOOTBOARD COVER	COUVRE MARCHEPIED GAU.	LINKE FUSSBRETTDECKEL	1
21	12735410/0	VITE	SCREW	VIS	SCHRAUBE	6
22	12735402/0	VITE	SCREW	VIS	SCHRAUBE	4
23	12728680/0	VITE	SCREW	VIS	SCHRAUBE	1
24	12523040/0	ROSETTA	WASHER	RONDELLE	SCHEIBE	9
31	82000207/0	ACCELERATORE	ACCELERATOR	ACCELERATEUR	GAS ZUG	1
32	12788512/0	VITE	SCREW	VIS	SCHRAUBE	2
33	12581200/0	GROWER	GROWER	GROWER	GROWER	2
34	25394501/0	MANOPOLINA	HANDLE	POIGNE	GRIFF	1
35	12726388/0	VITE	SCREW	VIS	SCHRAUBE	1
36	12290800/0	DADO	NUT	ECROU	MUTTER	1
41	25722453/1	SEDILE	SEAT	SIEGE	SITZ	1
42	25785114/0	SUPPORTO	SUPPORT	SUPPORT	HALTER	1
43	25547033/0	PIASTRA	PLATE	PLAQUE	PLATTE	1
44	12793101/0	VITE	SCREW	VIS	SCHRAUBE	4
45	12583500/0	GROWER	GROWER	GROWER	GROWER	4
46	12523060/0	RONDELLA	WASHER	RONDELLE	SCHEIBE	4
51	25961201/0	VOLANTE	STEERING WHEEL	VOLANT	LENKRAD	1
52	12620299/0	SPINA	PIN	GOUPILLE	STIFT	1
61	25110179/0	COPERTURA ROSSO	COVER RED	COUVRE ROUGE	KAPPE ROT	1
	25110199/0	VERDE	GREEN	VERT	GRÜN	
	25110200/0	GIALLO	YELLOW	JAUNE	GELB	
	25110201/0	BLU	BLUE	BLEU	BLAU	
62	25600015/0	PROTEZIONE DESTRA ROSSO	RIGHT GUARD RED	PROTECTION DROITE ROUGE	RECHTE SCHUTZE ROT	1
	25600024/0	VERDE	GREEN	VERT	GRÜN	
	25600026/0	GIALLO	YELLOW	JAUNE	GELB	
	25600028/0	BLU	BLUE	BLEU	BLAU	
63	25600016/0	PROTEZIONE SINISTRA ROSSO	LEFT GUARD RED	PROTECTION GAUCHE ROUGE	LINKE SCHUTZE ROT	1
	25600025/0	VERDE	GREEN	VERT	GRÜN	
	25600027/0	GIALLO	YELLOW	JAUNE	GELB	
	25600029/0	BLU	BLUE	BLEU	BLAU	
64	12735402/0	VITE	SCREW	VIS	SCHRAUBE	6
65	12734995/0	VITE	SCREW	VIS	SCHRAUBE	2
66	12735402/0	VITE	SCREW	VIS	SCHRAUBE	2
67	12735402/0	VITE	SCREW	VIS	SCHRAUBE	3
68	12735402/0	VITE	SCREW	VIS	SCHRAUBE	4
71	25110178/1	COPERTURA SACCO ROSSO	GRASS-CATCHER COVER RED	COUVRE-BAC ROUGE	SACKKAPPE ROT	1
	25110196/1	VERDE	GREEN	VERT	GRÜN	
	25110197/1	GIALLO	YELLOW	JAUNE	GELB	
	25110198/1	BLU	BLUE	BLEU	BLAU	
72	12729601/0	VITE	SCREW	VIS	SCHRAUBE	4
73	12521331/0	RONDELLA	WASHER	RONDELLE	SCHEIBE	4
81	25600020/0	PROTEZIONE SUPERIORE	UPPER GUARD	PROTECTION SUPERIEUR	OBERSCHUTZ	1
82	25600021/0	PROTEZIONE INFERIORE	LOWER GUARD	PROTECTION INFERIEUR	UNTERSCHUTZ	1
83	12728460/0	VITE	SCREW	VIS	SCHRAUBE	2
84	12521320/0	ROSETTA	WASHER	RONDELLE	SCHEIBE	2
85	12437502/0	PIASTRINA	PLATE	PLAQUE	PLATTE	2
91	25735116/0	SERBATOIO	TANK	RESERVOIR	TANK	1
92	25795000/0	TAPPO	CAP	BOUCHON	TANKVERSCHLUSS	1
93	25774258/0	SUPPORTO	SUPPORT	SUPPORT	HALTER	1
94	12735110/0	VITE	SCREW	VIS	SCHRAUBE	1

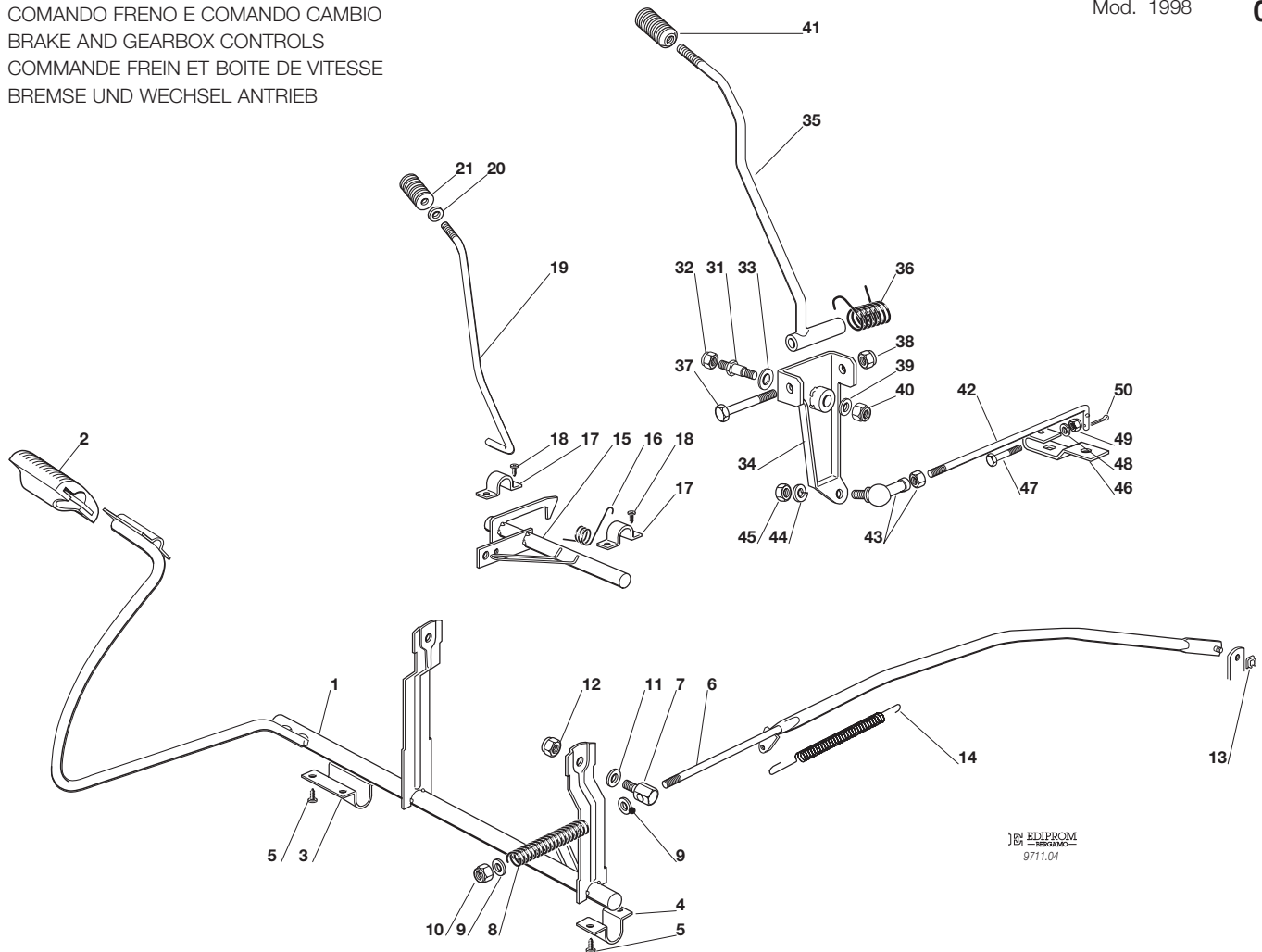
GRUPPO STERZO
 STEERING GROUP
 GROUPE BARRE DE DIRECTION
 LENKGETRIEBE



Pos. Nr.	Codice Kodex Code	Descrizione	Description	Description	Beschreibung	Q.tà Q.ty Q.té Menge
1	82034008/0	BILANCIERE COMPLETO DI BOCCOLA ED INGRASSATORE	EQUALIZER WITH BUSH AND LUBRICATOR	BALANCIER AVEC DOULIE ET GRAISSEUR	KIPPHEBEL MIT BÜCHSE UND FETTBÜCHSE	1
2	25034002/0	BOCCOLA	BUSH	DOUILLE	BÜCHSE	4
3	12379511/0	INGRASSATORE	GREASE DISPENSER	GRAISSEUR	FETTBÜCHSE	2
4	82230355/0	FUSELLO DESTRO	RIGHT STUB AXLE	FUSEAU DROITE	RECHTER ACHSSCHENKEL	1
5	12001000/0	ANELLO ELASTICO	SNAP RING	ANNEAU RESSORT	SPRENGRING	1
6	82230357/0	FUSELLO SINISTRO	LEFT STUB AXLE	FUSEAU GAUCHE	LINKER ACHSSCHENKEL	1
7	25840006/0	TIRANTE COLLEG. FUSELLI	TIE ROD	TIRANT	SPANNSTANGE	1
8	22746600/0	SNODO	JOINT	JOINT	GELENK	2
9	12295200/0	DADO	NUT	ECROU	MUTTER	2
10	12585100/0	GROWER	GROWER	GROWER	GROWER	2
11	25318142/0	LEVA	LEVER	LEVIER	HEBEL	1
12	12692390/0	VITE	SCREW	VIS	SCHRAUBE	1
13	12156602/0	DADO	NUT	ECROU	MUTTER	1
14	25160016/0	DISTANZIALE	SPACER	ENTRETOISE	ENTFERNUNGSSTÜCK	1
15	12692695/0	VITE	SCREW	VIS	SCHRAUBE	1
16	12523100/0	RONDELLA	WASHER	RONDELLE	SCHIEBE	2
17	12587100/0	GROWER	GROWER	GROWER	GROWER	1
18	12295300/0	DADO	NUT	ECROU	MUTTER	1

Pos. Nr.	Codice Kodex Code	Descrizione	Description	Description	Beschreibung	Q.tà Q.ty Q.té Menge
31	25785101/0	SUPPORTO	SUPPORT	SUPPORT	HALTER	1
32	12792611/0	VITE	SCREW	VIS	SCHRAUBE	4
33	12155000/0	DADO	NUT	ECROU	MUTTER	4
34	82785101/0	SUPPORTO	SUPPORT	SUPPORT	HALTER	1
35	12735120/0	VITE	SCREW	VIS	SCHRAUBE	4
36	25038003/0	BOCCOLA	BUSH	DOUILLE	BÜCHSE	1
37	25520003/0	PIANTONE	STEERING COLUMN	TUBE DE DIRECTION	LENKUNGSÄULE	1
38	25570000/0	PIGNONE	PINION	PIGNON	RITZEL	1
39	12622650/0	SPINA	PIN	GOUPILLE	STIFT	1
40	12521370/0	RONDELLA	WASHER	RONDELLE	SCHEIBE	1
41	12436030/0	PIASTRINA	PLATE	PLAQUETTE	PLATTECHEN	1
42	25040617/0	BUSSOLA	BUSH	DOUILLE	BÜCHSE	1
43	25510043/0	PRIGIONIERO	STUB SCREW	PRISSONIER	STIFTSCHLEIBE	1
44	12295200/0	DADO	NUT	ECROU	MUTTER	2
45	25670012/0	RONDELLA	WASHER	RONDELLE	SCHEIBE	2
46	25735507/0	SETTORE	STEERING SHAFT	ARBRE DIRECTION	LENKUNGSWELLE	1
47	25670014/0	RONDELLA	WASHER	RONDELLE	SCHEIBE	1
48	22160400/0	DISCO ELASTICO	ELASTIC WASHER	DISQUE ELASTIQUE	FEDERSCHLEIBE	1
49	12521360/0	ROSETTA	WASHER	RONDELLE	SCHEIBE	1
50	12156602/0	DADO	NUT	ECROU	MUTTER	1
51	22672150/0	RONDELLA	WASHER	RONDELLE	SCHEIBE	2
52	12523090/0	RONDELLA	WASHER	RONDELLE	SCHEIBE	1
53	12585100/0	GROWER	GROWER	GROWER	GROWER	1
54	12295200/0	DADO	NUT	ECROU	MUTTER	1
55	25033025/0	ASTA COM. STERZO	STEERING ROD	LEVIER BARRE DE DIRECTION	LENKUNGSSTAB	1
56	22746600/0	SNODO	JOINT	JOINT	GELENK	2
57	12585100/0	GROWER	GROWER	GROWER	GROWER	2
58	12295200/0	DADO	NUT	ECROU	MUTTER	2
59	25600036/0	PROTEZIONE MICRO	MICRO PROTECTION	PROTECTION MICRO	SCHUTZ	1
60	12727810/0	VITE	SCREW	VIS	SCHRAUBE	2
71	82680002/1	RUOTA ANTERIORE	FRONT WHEEL	ROUE AVANT	VORDERRAD	2
72	82000590/0	CERCHIO RUOTA	RIMM	BANDAGE ROUE	VORDERRAD FELGER	2
73	25122200/1	CUSCINETTO	BEARING	ROULEMENT	LAGER	4
74	25590000/0	PNEUMATICO	SHOE	PNEU	REIFEN	2
75	25670005/1	RONDELLA	WASHER	RONDELLE	SCHEIBE	2
76	12001000/0	ANELLO ELASTICO	SNAP RING	ANNEAU RESSORT	SPRENGRING	2
77	22110230/0	COPRIMOZZO	HUB COVER	COUVRE MOYEU	NABEDECHEL	2

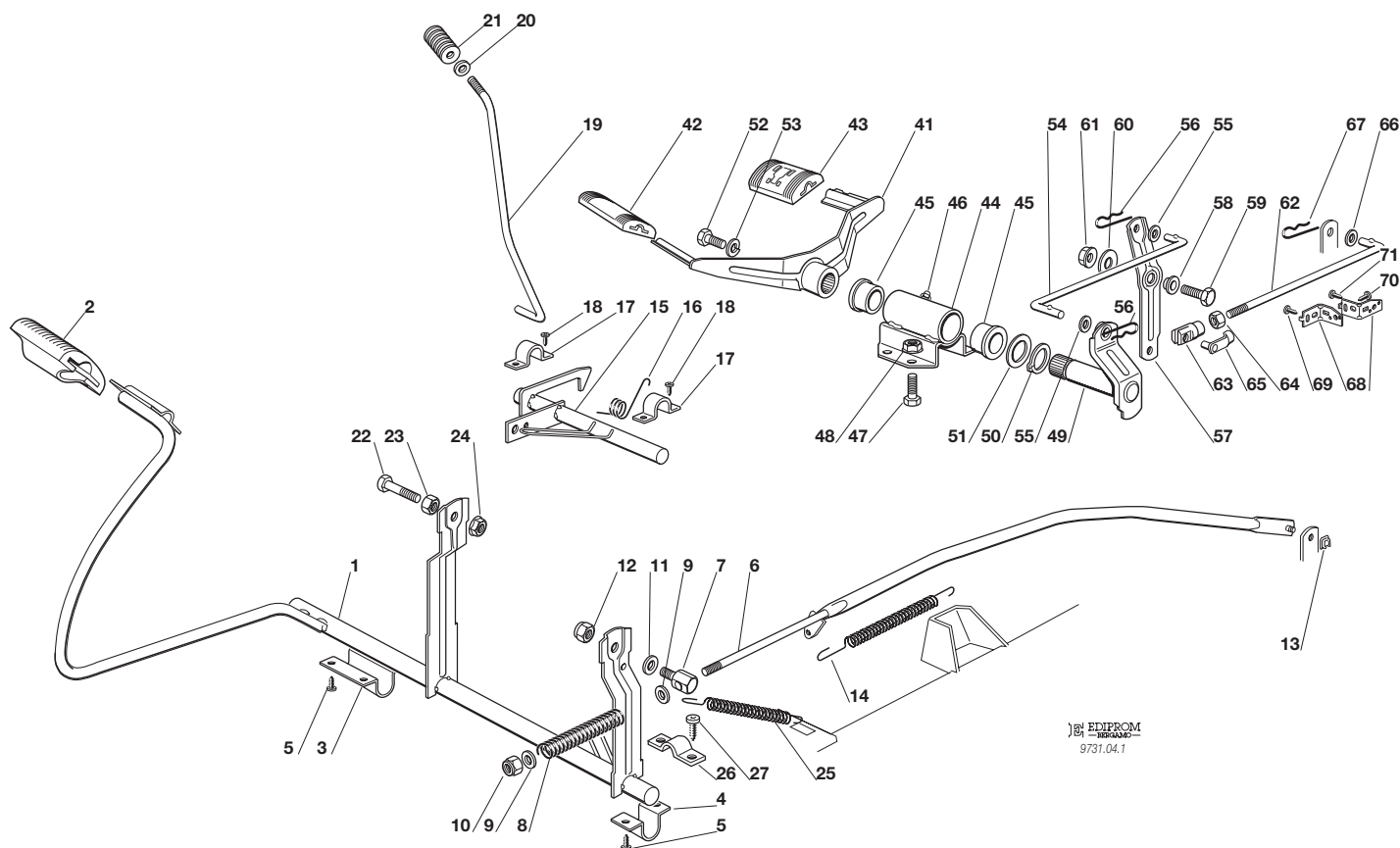
COMANDO FRENO E COMANDO CAMBIO
 BRAKE AND GEARBOX CONTROLS
 COMMANDE FREIN ET BOITE DE VITESSE
 BREMSE UND WECHSEL ANTRIEB



Pos. Nr.	Codice Kodex Code	Descrizione	Description	Description	Beschreibung	Q.tà Q.ty Q.té Menge
1	82500002/1	PEDALE	PEDAL	PEDAL	PEDAL	1
2	25110269/0	COPRISTAFFA	CLAMP COVER	COUVRE ETRIER	BRIDEDECKEL	1
3	25547039/0	PIASTRINA DESTRA	RIGHT PLATE	PLAQUE DROITE	RECHTE PLATTE	1
4	25547041/0	PIASTRINA SINISTRA	LEFT PLATE	PLATE GAUCHE	LINKE PLATTE	1
5	12731601/0	VITE	SCREW	VIS	SCHRAUBE	6
6	82000459/0	ASTA	ROD	BARRE	STANGE	1
7	25510033/0	PERNO	PIN	PIVOT	BOLZEN	1
8	25430212/1	MOLLA	SPRING	RESSORT	FEDER	1
9	12521330/0	ROSETTA	WASHER	RONDELLE	SCHEIBE	2
10	12154510/0	DADO	NUT	ECROU	MUTTER	1
11	25670011/0	RONDELLA	WASHER	RONDELLE	SCHEIBE	2
12	12155000/0	DADO	NUT	ECROU	MUTTER	1
13	12436050/0	PIASTRINA	PLATE	PLAQUE	PLATTE	1
14	22450500/0	MOLLA	SPRING	RESSORT	FEDER	1
15	82000361/0	ASSE AZIONAM. MICRO	AXLE	AXE	ACHSE	1
16	25430234/0	MOLLA	SPRING	RESSORT	FEDER	1
17	25547049/0	PIASTRINA	PLATE	PLAQUE	PLATTE	2
18	12731601/0	VITE	SCREW	VIS	SCHRAUBE	4
19	25033021/0	ASTA	ROD	BARRE	STANGE	1
20	12604898/0	ROSETTA	WASHER	RONDELLE	SCHEIBE	1
21	82394500/0	MANOPOLA	KNOB	POIGNEE	KNOPF	1
31	25510035/0	PERNO	PIN	PIVOT	BOLZEN	1
32	12293201/0	DADO	NUT	ECROU	MUTTER	1
33	22672151/0	RONDELLA	WASHER	RONDELLE	SCHEIBE	1

Pos. Nr.	Codice Kodex Code	Descrizione	Description	Description	Beschreibung	Q.tà Q.ty Q.té Menge
34	82774206/0	STAFFA	CLAMP	ETRIER	BRIDE	1
35	82318134/0	LEVA	GEARSHIFT	LEVIER	HEBEL	1
36	25430226/0	MOLLA	SPRING	RESSORT	FEDER	1
37	12692050/0	VITE	SCREW	VIS	SCHRAUBE	1
38	12155000/0	DADO	NUT	ECROU	MUTTER	1
39	12523060/0	RONDELLA	WASHER	RONDELLE	SCHEIBE	1
40	12155010/0	DADO	NUT	ECROU	MUTTER	1
41	82394503/0	MANOPOLA	KNOB	POIGNEE	WECHSEL	1
42	25033012/0	ASTA	ROD	BARRE	STANGE	1
43	22746601/0	SNODO	JOINT	JOINT	GELENK	1
44	12583500/0	GROWER	GROWER	GROWER	GROWER	1
45	12293200/0	DADO	NUT	ECROU	MUTTER	1
46	25318128/0	LEVA	GEARSHIFT	LEVIER	HEBEL	1
47	12689500/0	VITE	SCREW	VIS	SCHRAUBE	1
48	12521330/0	RONDELLA	WASHER	RONDELLE	SCHEIBE	2
49	12154510/0	DADO	NUT	ECROU	MUTTER	1
50	12141418/0	COPPIGLIA	COTTER PIN	GOUPILLE	SPLIT	1

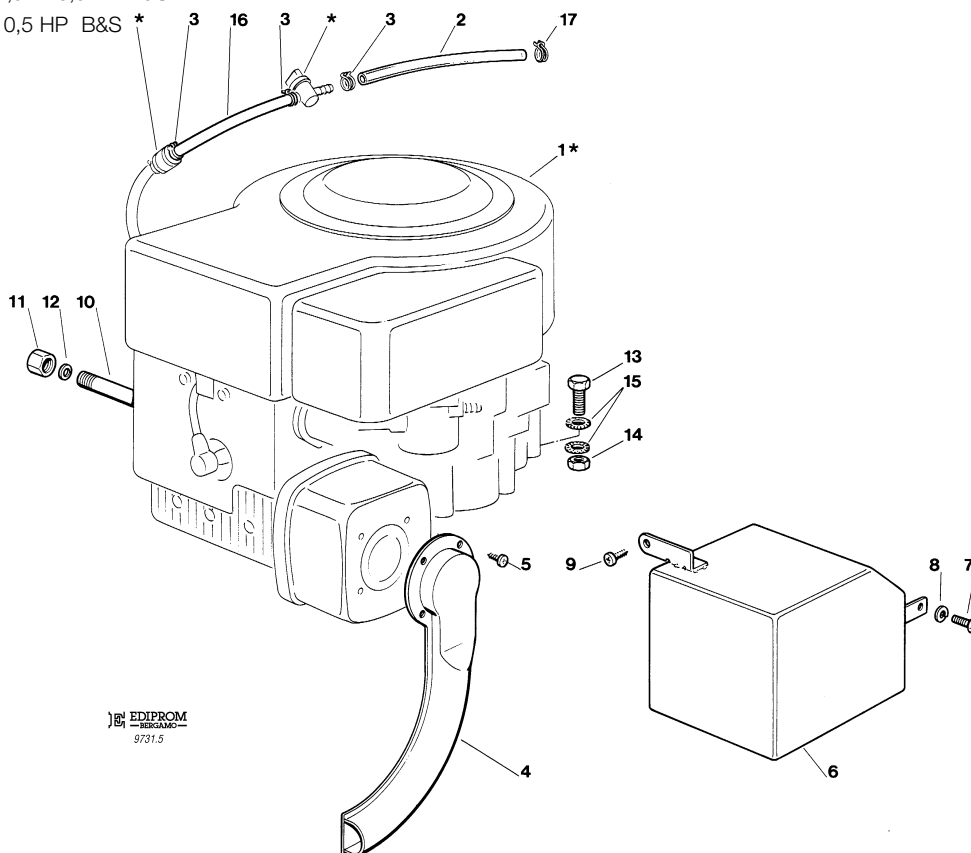
GRUPPO COMANDO TRASMISSIONE E FRENO
 DRIVE AND BRAKE CONTROL UNIT
 GROUPE COMMANDE TRANSMISSION ET FREIN
 STEUERUNGSGRUPPE FÜR GETRIEBE UND BREMSE



Pos. Nr.	Codice Kodex Code	Descrizione	Description	Description	Beschreibung	Q.tà Q.ty Q.té Menge
1	82500002/1	PEDALE	PEDAL	PEDAL	PEDAL	1
2	25110267/0	COPRISTAFFA	CLAMP COVER	COUVRE ETRIER	BRIDEDECKEL	1
3	25547039/0	PIASTRINA DESTRA	RIGHT PLATE	PLAQUE DROITE	RECHTE PLATTE	1
4	25547041/0	PIASTRINA SINISTRA	LEFT PLATE	PLATE GAUCHE	LINKE PLATTE	1
5	12731601/0	VITE	SCREW	VIS	SCHRAUBE	6
6	82000459/0	ASTA	ROD	BARRE	STANGE	1
7	25510033/0	PERNO	PIN	PIVOT	BOLZEN	1
8	25430212/1	MOLLA	SPRING	RESSORT	FEDER	1
9	12521330/0	ROSETTA	WASHER	RONDELLE	SCHEIBE	2
10	12154510/0	DADO	NUT	ECROU	MUTTER	1
11	25670011/0	RONDELLA	WASHER	RONDELLE	SCHEIBE	2
12	12155000/0	DADO	NUT	ECROU	MUTTER	1
13	12436050/0	PIASTRINA	PLATE	PLAQUE	PLATTE	1
14	22450500/0	MOLLA	SPRING	RESSORT	FEDER	1
15	82000361/0	ASSE AZIONAM. MICRO	AXLE	AXE	ACHSE	1
16	25430234/0	MOLLA	SPRING	RESSORT	FEDER	1
17	25547049/0	PIASTRINA	PLATE	PLAQUE	PLATTE	2
18	12731601/0	VITE	SCREW	VIS	SCHRAUBE	4
19	25033021/0	ASTA	ROD	BARRE	STANGE	1
20	12604898/0	ROSETTA	WASHER	RONDELLE	SCHEIBE	1
21	82394500/0	MANOPOLA	KNOB	POIGNEE	KNOPF	1
22	12691100/0	VITE	SCREW	VIS	SCHRAUBE	1
23	12293200/0	DADO	NUT	ECROU	MUTTER	1
24	12293201/0	DADO	NUT	ECROU	MUTTER	1
25	25430210/0	MOLLA	SPRING	RESSORT	FEDER	1

Pos. Nr.	Codice Kodex Code	Descrizione	Description	Description	Beschreibung	Q.tà Q.ty Q.té Menge
26	22545152/0	PIASTRINA	PLATE	PLAQUE	PLATTE	1
27	12735104/0	VITE	SCREW	VIS	SCHRAUBE	2
41	82500008/0	PEDALE AVANZAMENTO	DRIVE PEDAL	PEDALE TRANSMISSION	GETRIEBEPEDAL	1
42	25110265/0	COPRISTAFFA ANTERIORE	CLAMP COVER FRONT	COUVRE ETRIER AVANT	BRIDEDECKEL VORDE	1
43	25110266/0	COPRISTAFFA POSTERIORE	CLAMP COVER REAR	COUVRE ETRIER ARRIERE	BRIDEDECKEL HINTER	1
44	82785079/0	SUPPORTO	SUPPORT	SUPPORT	HALTER	1
45	25034002/1	BRONZINA	BUSH	DOUILLE	BÜCHSE	2
46	12379511/0	INGRASSATORE	GREASE DISPENSER	GRAISSEUR	FETTBÜCHSE	1
47	12791011/0	VITE	SCREW	VIS	SCHRAUBE	2
48	12292102/0	DADO	NUT	ECROU	MUTTER	2
49	82318153/0	LEVA	GEARSHIFT	LEVIER	HEBEL	1
50	12609260/0	SEEGER	SEEGER	SEEGER	SEEGER	1
51	22672153/0	RONDELLA	WASHER	RONDELLE	SCHEIBE	1
52	12792612/0	VITE	SCREW	VIS	SCHRAUBE	1
53	12583501/0	GROWER	GROWER	GROWER	GROWER	1
54	25840008/0	TIRANTE	ROD	BARRE	STANGE	1
55	12521350/0	RONDELLA	WASHER	RONDELLE	SCHEIBE	2
56	24487997/0	COPPIGLIA	COTTER PIN	GOUPILLE	SPLIT	2
57	25318146/0	LEVA	GEARSHIFT	LEVIER	HEBEL	1
58	25038002/0	BOCCOLA	BUSH	DOUILLE	BÜCHSE	1
59	12793101/0	VITE	SCREW	VIS	SCHRAUBE	1
60	22672152/0	RONDELLA	WASHER	RONDELLE	SCHEIBE	1
61	12293201/0	DADO	NUT	ECROU	MUTTER	1
62	25840009/0	ASTA	ROD	BARRE	STANGE	1
63	18399001/0	FORCELLA	FORK	FOURCHE	GABEL	1
64	12293200/0	DADO	NUT	ECROU	MUTTER	1
65	18210201/0	CLIP	CLIP	CLIP	SPERRBOLZEN	1
66	12521350/0	RONDELLA	WASHER	RONDELLE	SCHEIBE	1
67	24487997/0	COPPIGLIA	COTTER PIN	GOUPILLE	SPLIT	1
68	25774255/0	STAFFA	BRACKET	ETRIER	BRIDE	2
69	12735110/0	VITE	SCREW	VIS	SCHRAUBE	2
70	12735110/0	VITE	SCREW	VIS	SCHRAUBE	1
71	12735140/0	VITE	SCREW	VIS	SCHRAUBE	2

GRUPPO MOTORE 12,5 - 10,5 HP B&S
 ENGINE ASS.Y 12,5 - 10,5 HP B&S
 GROUPE MOTEUR 12,5 - 10,5 HP B&S
 MOTORSATZ 12,5 - 10,5 HP B&S

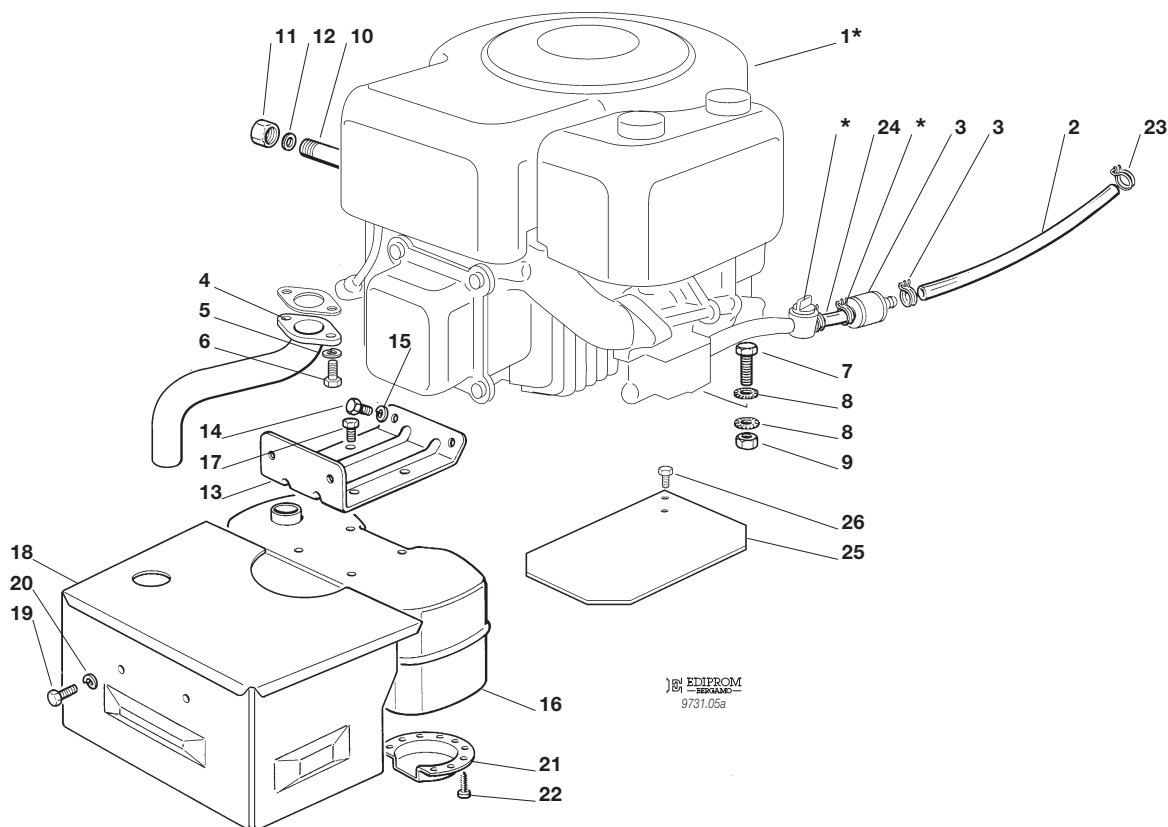


Pos. Nr.	Codice Kodex Code	Descrizione	Description	Description	Beschreibung	Q.tà Q.ty Q.té Menge
1*	—	MOTORE	ENGINE	MOTEUR	MOTOR	1
2	25869016/0	TUBO COLLEGAMENTO	CONNECTING TUBE	TUBE DE CONNEXION	VERBINDUNGSROHR	1
3	18375051/1	FASCETTA	FAIR LED	FIXATION DE CABLE	KABELBEFESTIGUNG	3
4*	82640001/1	RACCORDO SCARICO	EXHAUST CONNECTION	CONNEXION ECHAPPEMENT	AUSPUFFANSCHLUSS	1
5	12735106/0	VITE	SCREW	VIS	SCHRAUBE	4
6	82598001/0	PROTEZIONE SILENZIATORE	MUFFLER PROTECTION	PROTECTION SILENCIEUX	AUSPUFFSCHUTZ	1
7	12735510/0	VITE	SCREW	VIS	SCHRAUBE	1
8	12582100/0	GROWER	GROWER	GROWER	GROWER	1
9	12735104/0	VITE	SCREW	VIS	SCHRAUBE	1
10	25598050/0	PROLUNGA SCARICO OLIO	OIL DISCHARGE EXTENSION	RALLONGE DE DECHAR- MENT HUILE	ÖL ENTLERUNGSVERLAEN- GERUNG	1
11	18737849/0	TAPPO PER PROLUNGA	OIL CAP	BOUCHON HUILE	OELVERSCHLUSS	1
12	18401001/0	GUARNIZIONE	OIL SEAL	GARNITURE	DICHTUNG	1
13	12691100/0	VITE	SCREW	VIS	SCHRAUBE	4
14	12293200/0	DADO	NUT	ECROU	MUTTER	1
	12293201/0	DADO	NUT	ECROU	MUTTER	3
15	12540260/0	RONDELLA	WASHER	RONDELLE	SCHEIBE	2
16	25869006/0	TUBO COLLEGAMENTO	CONNECTING TUBE	TUBE DE CONNEXION	VERBINDUNGSROHR	1
17	18375052/0	FASCETTA	FAIR LED	FIXATION DE CABLE	KABELBEFESTIGUNG	1

PER LA SOSTITUZIONE DELLE PARTI CONTRASSEGNAE CON «*» RIVOLGERSI AL SERVIZIO ASSISTENZA DEL COSTRUTTORE DEL MOTORE.
 TO REPLACE THE PARTS MARKED «*» SEEK ASSISTANCE FROM THE ENGINE MANUFACTURER'S AFTER SALES SERVICE.
 POUR LE REMPLACEMENT DES PIÈCES MARQUÉES AVEC «*» S'ADRESSER AU SERVICE APRÈS VENTES DU CONSTRUCTEUR DU MOTEUR.
 ZUM AUSTAUSCH DER MIT «*» GEKENNZEICHNETEN TEILE, WENDEN SIE SICH AN DEN KUNDENDIENST DES HERSTELLERS DES MOTOR.

GRUPPO MOTORE 11 - 13 HP TECUMSEH
 ENGINE ASS.Y 11 - 13 HP TECUMSEH
 GROUPE MOTEUR 11 - 13 HP TECUMSEH
 MOTORSATZ 11 - 13 HP TECUMSEH

Mod. 1998 **005a**

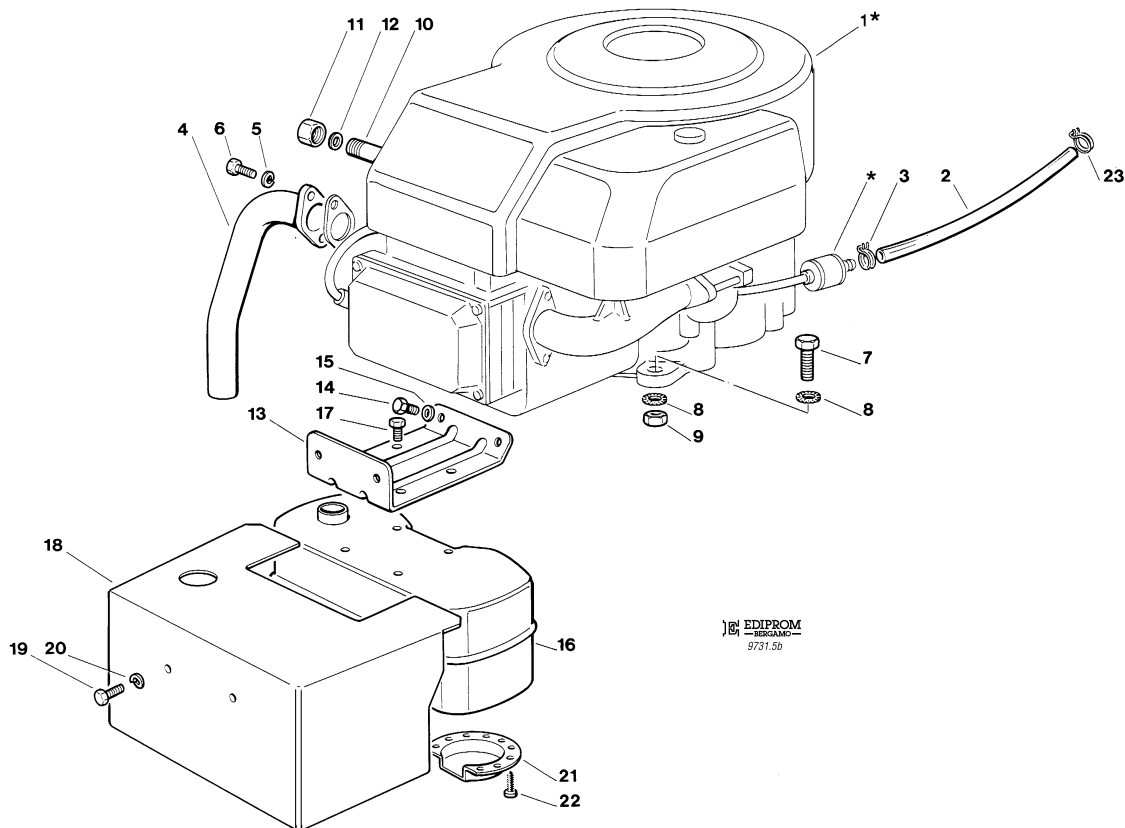


Pos. Nr.	Codice Kodex Code	Descrizione	Description	Description	Beschreibung	Q.tà Q.ty Q.té Menge
1*	—	MOTORE	ENGINE	MOTEUR	MOTOR	1
2	25869027/0	TUBO COLLEGAMENTO	CONNECTING TUBE	TUBE DE CONNEXION	VERBINDUNGSROHR	1
3	18375051/1	FASCETTA	FAIR LED	FIXATION DE CABLE	KABELBEFESTIGUNG	4
4*	18738211/0	TUBO RACCORDO SCARICO	EXHAUST CONNECTING TUBE	TUBE DE CONNEXION POUR ECHAPPEMENT	VERBINDUNGSROHR FÜR ABGASUNG	1
5	12583500/0	GROWER	GROWER	GROWER	GROWER	2
6	12735530/0	VITE	SCREW	VIS	SCHRAUBE	2
7	12691100/0	VITE	SCREW	VIS	SCHRAUBE	4
8	12540260/0	RONDELLA	WASHER	RONDELLE	SCHEIBE	4
9	12293200/0	DADO	NUT	ECROU	MUTTER	1
10	25598050/0	PROLUNGA SCARICO OLIO	OIL DISCHARGE	EXTENSION RALLONGE DE DESCHERG. HUILE	ENTLERUNGSVERLAEN- GERUNG	1
11	18737849/0	TAPPO PROLUNGA	OIL CAP	BOUCHON HUILE	OELVERSCHLUSS	1
12	18401001/0	GUARNIZIONE	OIL SEAL	GARNITURE	DICHTUNG	1
13	82785093/0	SUPPORTO SILENZIATORE	MUFFLER SUPPORT	SUPPORT SILENCIEUX	AUSPUFFHALTERSATZ	1
14	12793102/0	VITE	SCREW	VIS	SCHRAUBE	2
15	12540260/0	RONDELLA	WASHER	RONDELLE	SCHEIBE	2
16	18716132/0	SILENZIATORE COMPLETO DI DEFLETTORE	MUFFLER WITH DEFLECTOR	SILENCEUX AVEC DEFLECTEUR	AUSPUFF MIT DEFLEKTOR	1
17	12735107/0	VITE	SCREW	VIS	SCHRAUBE	4
18	82598017/0	PROTEZIONE	GUARD	PROTECTION	SCHUTZE	1
19	12792611/0	VITE	SCREW	VIS	SCHRAUBE	2
20	12583500/0	GROWER	GROWER	GROWER	GROWER	2

Pos. Nr.	Codice Kodex Code	Descrizione	Description	Description	Beschreibung	Q.tà Q.ty Q.té Menge
21	18310005/0	DEFLETTORE	DEFLECTOR	DEFLECTEUR	DEFLEKTOR	1
22	12735106/0	VITE	SCREW	VIS	SCHRAUBE	4
23	18375052/0	FASCETTA	FAIR LED	FIXATION DE CABLE	KABELBEFESTIGUNG	1
24	25869006/0	TUBO COLLEGAMENTO	CONNECTING TUBE	TUBE DE CONNEXION	VERBINDUNGSROHR	1
25	25600031/0	PROTEZIONE SILENZIATORE	MUFFLER PROTECTION	PROTECTION SILENCIEUX	AUSPUFFSCHUTZ	1
26	12735106/0	VITE	SCREW	VIS	SCHRAUBE	2

PER LA SOSTITUZIONE DELLE PARTI CONTRASSEGNALE CON «*» RIVOLGERSI AL SERVIZIO ASSISTENZA DEL COSTRUTTORE DEL MOTORE.
 TO REPLACE THE PARTS MARKED «*» SEEK ASSISTANCE FROM THE ENGINE MANUFACTURER'S AFTER SALES SERVICE.
 POUR LE REMPLACEMENT DES PIÈCES MARQUÉES AVEC «*» S'ADRESSER AU SERVICE APRÈS VENTES DU CONSTRUCTEUR DU MOTEUR.
 ZUM AUSTAUSCH DER MIT «*» GEKENNZEICHNETEN TEILE, WENDEN SIE SICH AN DEN KUNDENDIENST DES HERSTELLERS DES MOTOR.

GRUPPO MOTORE 15,5 HP B&S
 ENGINE ASS.Y 15,5 HP B&S
 GROUPE MOTEUR 15,5 HP B&S
 MOTORSATZ 15,5 HP B&S



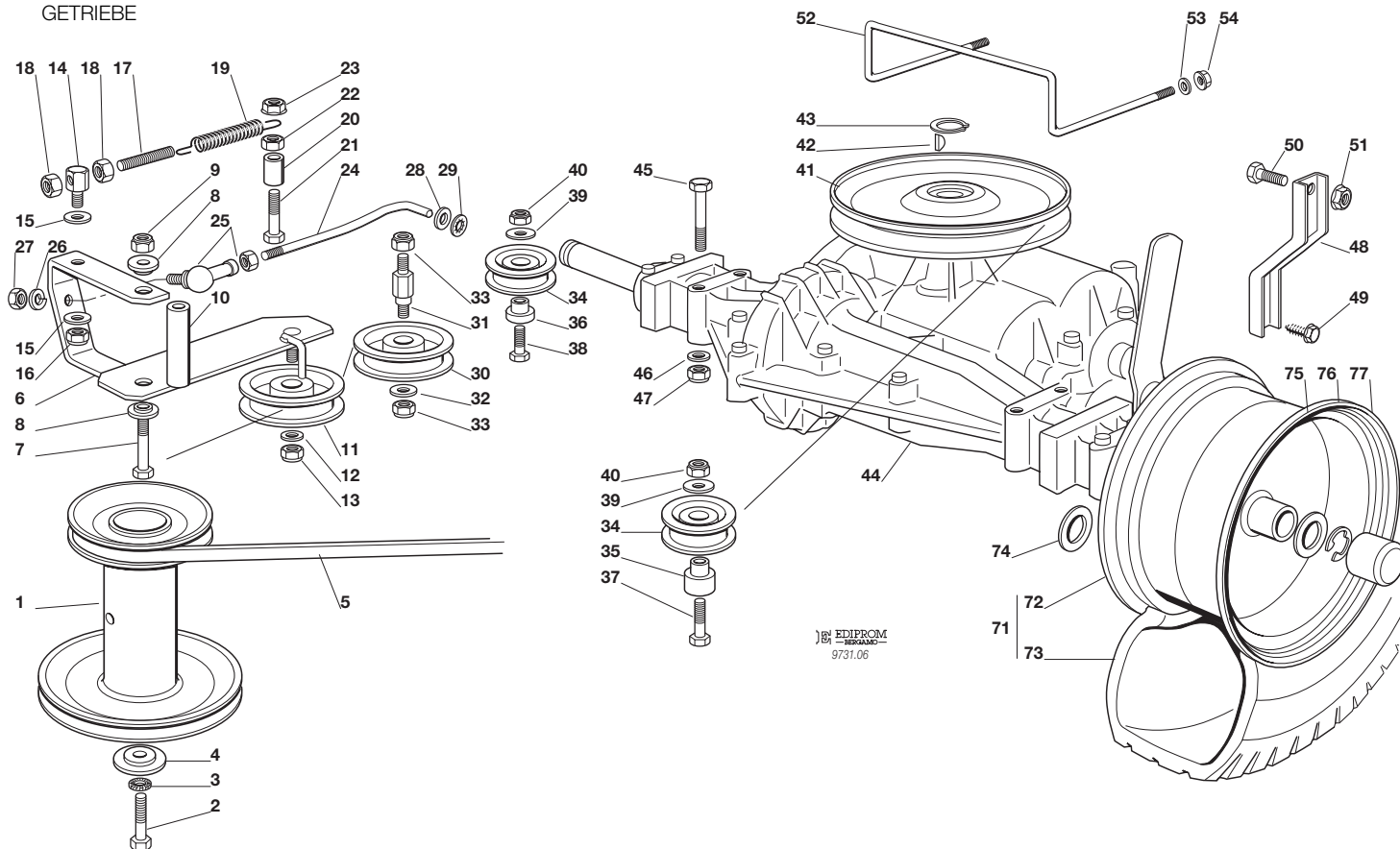
EDIPROM
 BERGAMO
 9731.50

Pos. Nr.	Codice Kodex Code	Descrizione	Description	Description	Beschreibung	Q.tà Q.ty Q.té Menge
1*	—	MOTORE	ENGINE	MOTEUR	MOTOR	1
2	25869016/0	TUBO COLLEGAMENTO	CONNECTING TUBE	TUBE DE CONNEXION	VERBINDUNGSROHR	1
3	18375051/1	FASCETTA	FAIR LED	FIXATION DE CABLE	KABELBEFESTIGUNG	1
4*	18738206/0	TUBO RACCORDO SCARICO	EXHAUST CONNECTING TUBE	TUBE DE CONNEXION POUR ECHAPPEMENT	VERBINDUNGSROHR FÜR ABGASUNG	1
5	12583500/0	GROWER	GROWER	GROWER	GROWER	2
6	12735530/0	VITE	SCREW	VIS	SCHRAUBE	2
7	12691100/0	VITE	SCREW	VIS	SCHRAUBE	4
8	12540260/0	RONDELLA	WASHER	RONDELLE	SCHEIBE	2
9	12293200/0	DADO	NUT	ECROU	MUTTER	1
	12293201/0	DADO	NUT	ECROU	MUTTER	3
10	25598050/0	PROLUNGA SCARICO OLIO	OIL DISCHARGE	EXTENSION RALLONGE DE DESCHERG. HUILE	ENTLERUNGSVERLAENGERUNG	1
11	18737849/0	TAPPO PROLUNGA	OIL CAP	BOUCHON HUILE	OELVERSCHLUSS	1
12	18401001/0	GUARNIZIONE	OIL SEAL	GARNITURE	DICHTUNG	1
13	82785093/0	SUPPORTO SILENZIATORE	MUFFLER SUPPORT	SUPPORT SILENCIEUX	AUSPUFFHALTERSATZ	1
14	12793102/0	VITE	SCREW	VIS	SCHRAUBE	2
15	12540260/0	RONDELLA	WASHER	RONDELLE	SCHEIBE	2
16	18716132/0	SILENZIATORE COMPLETO DI DEFLETTORE	MUFFLER WITH DEFLECTOR	SILENCEUX AVEC DEFLECTEUR	AUSPUFF MIT DEFLEKTOR	1
17	12735107/0	VITE	SCREW	VIS	SCHRAUBE	4
18	82598009/1	PROTEZIONE	GUARD	PROTECTION	SCHUTZE	1
19	12792611/0	VITE	SCREW	VIS	SCHRAUBE	2

Pos. Nr.	Codice Kodex Code	Descrizione	Description	Description	Beschreibung	Q.tà Q.ty Q.té Menge
20	12583500/0	GROWER	GROWER	GROWER	GROWER	2
21	18310005/0	DEFLETTORE	DEFLECTOR	DEFLECTEUR	DEFLEKTOR	1
22	12735106/0	VITE	SCREW	VIS	SCHRAUBE	4
23	18375052/0	FASCETTA	FAIR LED	FIXATION DE CABLE	KABELBEFESTIGUNG	1

PER LA SOSTITUZIONE DELLE PARTI CONTRASSEGNAE CON «*» RIVOLGERSI AL SERVIZIO ASSISTENZA DEL COSTRUTTORE DEL MOTORE.
 TO REPLACE THE PARTS MARKED «*» SEEK ASSISTANCE FROM THE ENGINE MANUFACTURER'S AFTER SALES SERVICE.
 POUR LE REMPLACEMENT DES PIÈCES MARQUÉES AVEC «*» S'ADRESSER AU SERVICE APRÈS VENTES DU CONSTRUCTEUR DU MOTEUR.
 ZUM AUSTAUSCH DER MIT «*» GEKENNZEICHNETEN TEILE, WENDEN SIE SICH AN DEN KUNDENDIENST DES HERSTELLERS DES MOTOR.

GRUPPO TRASMISSIONE
 TRANSMISSION GROUP
 GROUPE TRANSMISSION
 GETRIEBE

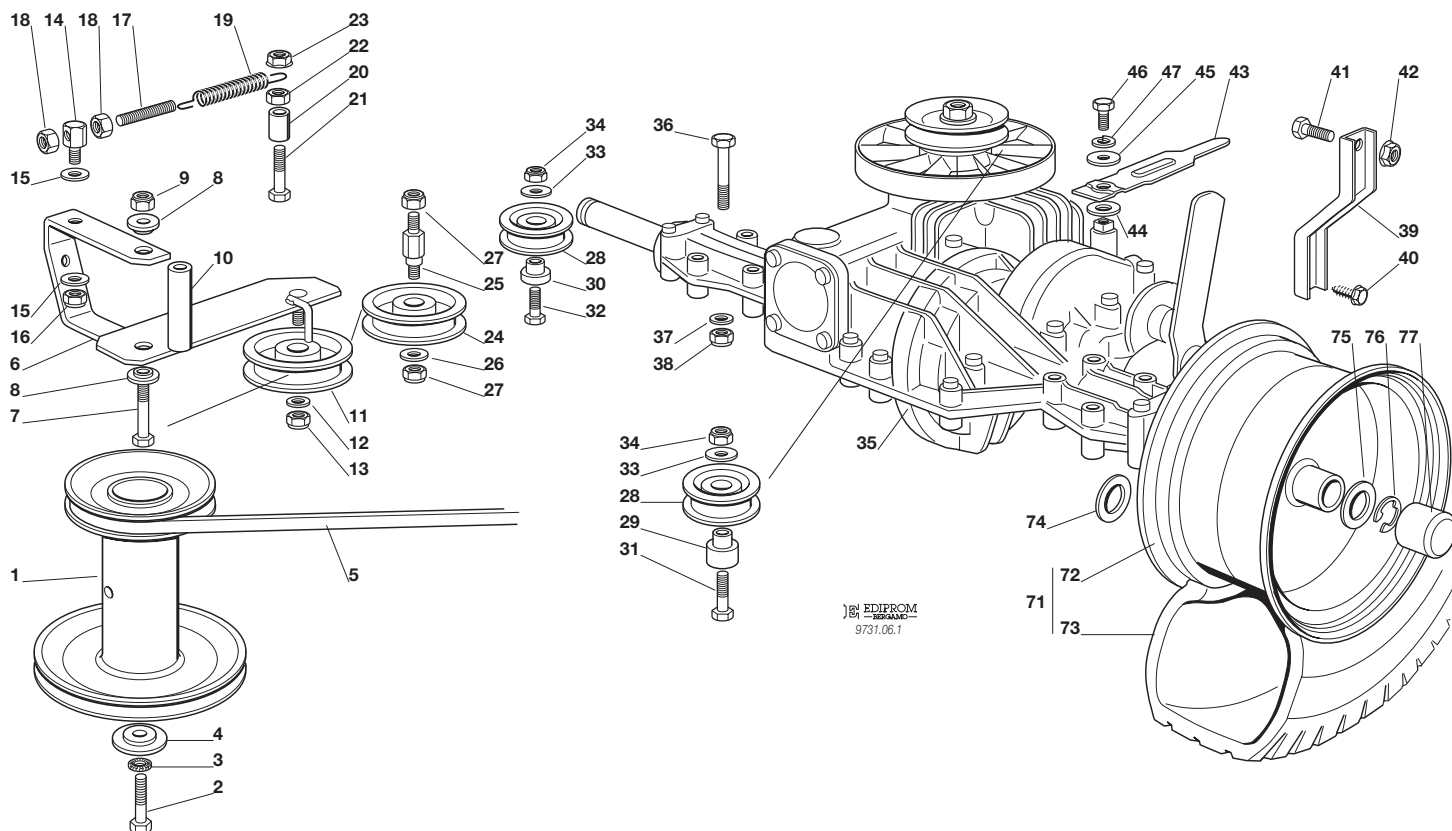


Pos. Nr.	Codice Kodex Code	Descrizione	Description	Description	Beschreibung	Q.tà Q.ty Q.té Menge
1	25601547/0	PULEGGIA	PULLEY	POULIE	RIEMENSCHLEIBE	1
2	12737310/0	VITE	SCREW	VIS	SCHRAUBE	1
3	12543000/0	ROSETTA	WASHER	RONDELLE	SCHEIBE	1
4	22671433/0	RONDELLA	WASHER	RONDELLE	SCHEIBE	1
5	35062000/1	CINGHIA	BELT	COURROIE	RIEMEN	1
6	82318133/0	LEVA	LEVER	LEVIER	HEBEL	1
7	12692080/0	VITE	SCREW	VIS	SCHRAUBE	1
8	25038002/0	BOCCOLA	BUSH	DOUILLE	BÜCHSE	2
9	12155000/0	DADO	NUT	ECROU	MUTTER	1
10	25160017/0	DISTANZIALE	SPACER	ENTRETOISE	ENTFERNUNGSSTÜCK	1
11	25601554/0	PULEGGIA	PULLEY	POULIE	RIEMENSCHLEIBE	1
12	12523060/0	RONDELLA	WASHER	RONDELLE	SCHEIBE	1
13	12155000/0	DADO	NUT	ECROU	MUTTER	1
14	25510040/0	PERNO	PIN	PIVOT	BOLZEN	1
15	25670011/0	RONDELLA	WASHER	RONDELLE	SCHEIBE	2
16	12155000/0	DADO	NUT	ECROU	MUTTER	1
17	25840005/0	TIRANTE	TIE ROD	TIRANT	SPANNSTANGE	1
18	12293200/0	DADO	NUT	ECROU	MUTTER	2
19	25430219/0	MOLLA	SPRING	RESSORT	FEDER	1
20	25160017/0	DISTANZIALE	SPACER	ENTRETOISE	ENTFERNUNGSSTÜCK	1
21	25943001/0	VITE	SCREW	VIS	SCHRAUBE	1
22	12293201/0	DADO	NUT	ECROU	MUTTER	1
23	12155000/0	DADO	NUT	ECROU	MUTTER	1
24	25840002/0	TIRANTE	TIE ROD	TIRANT	SPANNSTANGE	1
25	22746601/0	SNODO	JOINT	JOINT	GELENK	1
26	12583500/0	GROWER	GROWER	GROWER	GROWER	1

Pos. Nr.	Codice Kodex Code	Descrizione	Description	Description	Beschreibung	Q.tà Q.ty Q.té Menge
27	12293200/0	DADO	NUT	ECROU	MUTTER	1
28	12521350/0	RONDELLA	WASHER	RONDELLE	SCHEIBE	1
29	12604899/0	ANELLO ELASTICO	SNAP RING	ANNEAU RESSORT	SPRENGRING	1
30	25601555/0	PULEGGIA	PULLEY	POULIE	RIEMENSCHLEIBE	1
31	25510036/0	PERNO	PIN	PIVOT	BOLZEN	1
32	12523060/0	RONDELLA	WASHER	RONDELLE	SCHEIBE	1
33	12155000/0	DADO	NUT	ECROU	MUTTER	2
34	25601558/0	PULEGGIA	PULLEY	POULIE	RIEMENSCHLEIBE	2
35	25160018/0	DISTANZIALE SINISTRO	LEFT SPACER	ENTRETOISE GAUCHE	LINKER ENTFERNUNGSSTÜCK	1
36	25160014/0	DISTANZIALE DESTRO	RIGHT SPACER	ENTRETOISE DROITE	RECHTER ENTFERNUNGS- STÜCK	1
37	12691100/0	VITE SINISTRA	LEFT SCREW	VIS GAUCHE	LINKE SCHRAUBE	1
38	12691200/0	VITE DESTRA	RIGHT SCREW	VIS DROITE	RECHTE SCHRAUBE	1
39	12523060/0	RONDELLA	WASHER	RONDELLE	SCHEIBE	2
40	12155000/0	DADO	NUT	ECROU	MUTTER	2
41	82601503/0	PULEGGIA	PULLEY	POULIE	RIEMENSCHLEIBE	1
42	12139430/0	LINGUETTA	KEY	CLAVETTE	KEIL	1
43	12608950/0	ANELLO ELASTICO	SNAP RING	ANNEAU RESSORT	SPRENGRING	1
44*	18400910/0	ASSE POSTERIORE	REAR AXLE	AXE ARRIERE	HINTERACHSE	1
45	12691800/0	VITE	SCREW	VIS	SCHRAUBE	4
46	12521350/0	RONDELLA	WASHER	RONDELLE	SCHEIBE	4
47	12155000/0	DADO	NUT	ECROU	MUTTER	4
48	25774247/0	STAFFA	CLAMP	ETRIER	BRIDE	2
49	12735150/0	VITE	SCREW	VIS	SCHRAUBE	2
50	12792610/0	VITE	SCREW	VIS	SCHRAUBE	2
51	12293201/0	DADO	NUT	ECROU	MUTTER	2
52	25270303/0	GUIDACINGHIA	BELT GUIDE	GUIDE DE COURROIRE	RIEMENFÜHRUNG	1
53	12521330/0	RONDELLA	WASHER	RONDELLE	SCHEIBE	2
54	12292102/0	DADO	NUT	ECROU	MUTTER	2
71	82680003/0	RUOTA POSTERIORE	REAR WHEEL	ROUE ARRIERE	HINTERRAD	2
72	82000592/0	CERCHIO RUOTA	RIMM	BANDAGE ROUE	HINTRERRAD FELGER	2
73	25590001/0	PNEUMATICO	SHOE	PNEU	REIFEN	2
74	12521410/0	RONDELLA	WASHER	RONDELLE	SCHEIBE	4
75	25670005/1	RONDELLA	WASHER	RONDELLE	SCHEIBE	2
76	12001010/0	ANELLO ELASTICO	SNAP RING	ANNEAU RESSORT	SPRENGRING	2
77	22110230/0	COPRIMOZZO	HUB COVER	COUVRE MOYEU	NABEDECKEL	2

PER LA SOSTITUZIONE DELLE PARTI CONTRASSEGNALE CON «*» RIVOLGERSI AL SERVIZIO ASSISTENZA DEL COSTRUTTORE (TECUMSEH).
TO REPLACE THE PARTS MARKED «*» SEEK ASSISTANCE FROM MANUFACTURER'S AFTER SALES SERVICE (TECUMSEH).
POUR LE REMPLACEMENT DES PIÈCES MARQUÉES AVEC «*» S'ADRESSER AU SERVICE APRÈS VENTES DU CONSTRUCTEUR (TECUMSEH).
ZUM AUSTAUSCH DER MIT «*» GEKENNZEICHNETEN TEILE, WENDEN SIE SICH AN DEN KUNDENDIENST DES HERSTELLERS (TECUMSEH).

GRUPPO TRASMISSIONE
 TRANSMISSION GROUP
 GROUPE TRANSMISSION
 GETRIEBE

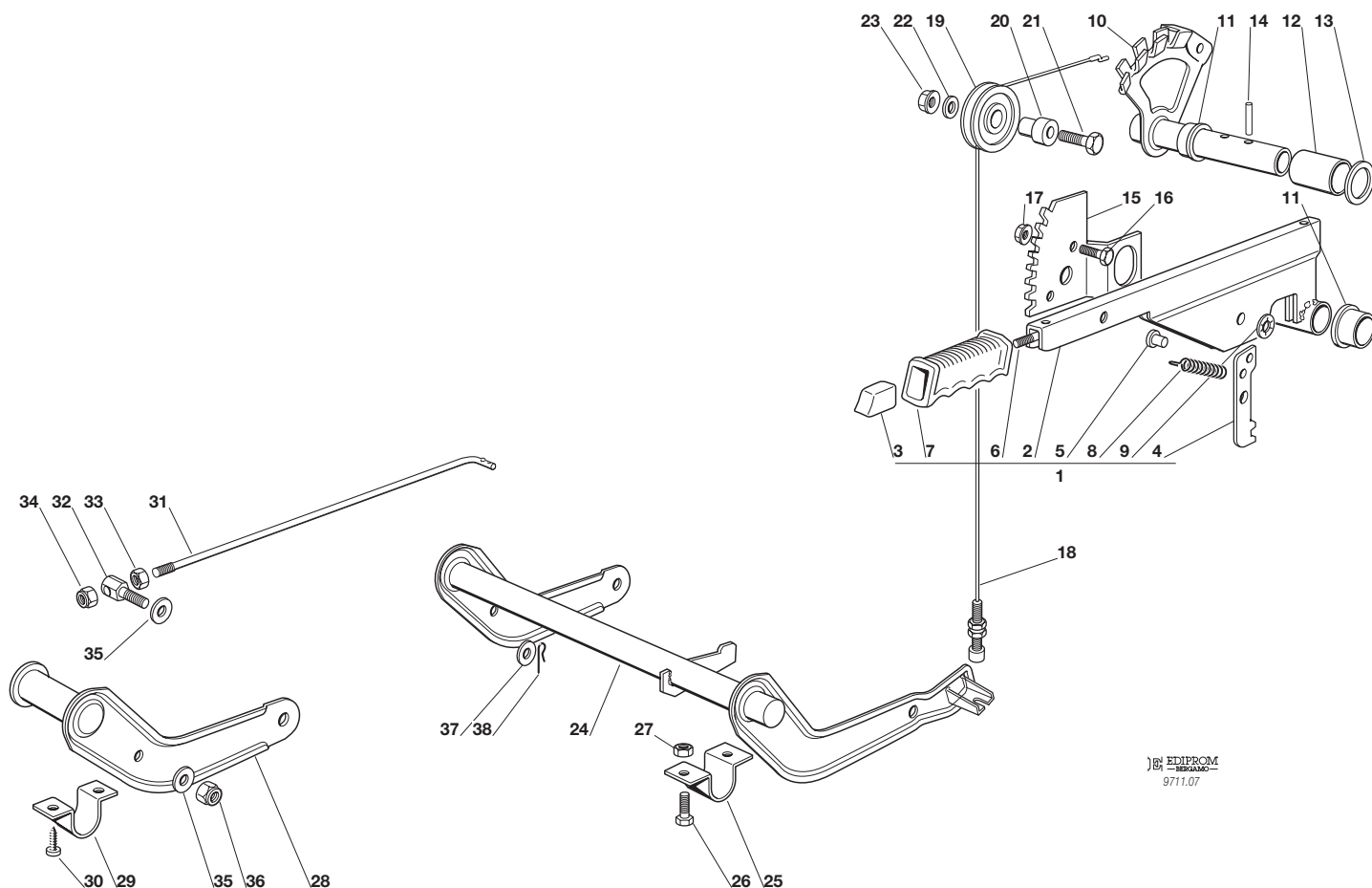


Pos. Nr.	Codice Kodex Code	Descrizione	Description	Description	Beschreibung	Q.tà Q.ty Q.té Menge
1	25601548/0	PULEGGIA	PULLEY	POULIE	RIEMENSCHLEIBE	1
2	12737310/0	VITE	SCREW	VIS	SCHRAUBE	1
3	12543000/0	ROSETTA	WASHER	RONDELLE	SCHEIBE	1
4	22671433/0	RONDELLA	WASHER	RONDELLE	SCHEIBE	1
5	35062010/0	CINGHIA	BELT	COURROIE	RIEMEN	1
6	82318133/0	LEVA	LEVER	LEVIER	HEBEL	1
7	12692080/0	VITE	SCREW	VIS	SCHRAUBE	1
8	25038002/0	BOCCOLA	BUSH	DOUILLE	BÜCHSE	2
9	12155000/0	DADO	NUT	ECROU	MUTTER	1
10	25160017/0	DISTANZIALE	SPACER	ENTRETOISE	ENTFERNUNGSSTÜCK	1
11	25601554/0	PULEGGIA	PULLEY	POULIE	RIEMENSCHLEIBE	1
12	12523060/0	RONDELLA	WASHER	RONDELLE	SCHEIBE	1
13	12155000/0	DADO	NUT	ECROU	MUTTER	1
14	25510040/0	PERNO	PIN	PIVOT	BOLZEN	1
15	25670011/0	RONDELLA	WASHER	RONDELLE	SCHEIBE	2
16	12155000/0	DADO	NUT	ECROU	MUTTER	1
17	25840005/0	TIRANTE	TIE ROD	TIRANT	SPANNSTANGE	1
18	12293200/0	DADO	NUT	ECROU	MUTTER	2
19	25430219/0	MOLLA	SPRING	RESSORT	FEDER	1
20	25160017/0	DISTANZIALE	SPACER	ENTRETOISE	ENTFERNUNGSSTÜCK	1
21	25943001/0	VITE	SCREW	VIS	SCHRAUBE	1
22	12293201/0	DADO	NUT	ECROU	MUTTER	1
23	12155000/0	DADO	NUT	ECROU	MUTTER	1
24	25601555/0	PULEGGIA	PULLEY	POULIE	RIEMENSCHLEIBE	1
25	25510036/0	PERNO	PIN	PIVOT	BOLZEN	1
26	12523060/0	RONDELLA	WASHER	RONDELLE	SCHEIBE	1

Pos. Nr.	Codice Kodex Code	Descrizione	Description	Description	Beschreibung	Q.tà Q.ty Q.té Menge
27	12155000/0	DADO	NUT	ECROU	MUTTER	2
28	25601558/0	PULEGGIA	PULLEY	POULIE	RIEMENSCHLEIBE	2
29	25160018/0	DISTANZIALE SINISTRO	LEFT SPACER	ENTRETOISE GAUCHE	LINKER ENTFERNUNGSSTÜCK	1
30	25160014/0	DISTANZIALE DESTRO	RIGHT SPACER	ENTRETOISE DROITE	RECHTER ENTFERNUNGSSTÜCK	1
31	12691100/0	VITE SINISTRA	LEFT SCREW	VIS GAUCHE	LINKE SCHRAUBE	1
32	12691200/0	VITE DESTRA	RIGHT SCREW	VIS DROITE	RECHTE SCHRAUBE	1
33	12523060/0	RONDELLA	WASHER	RONDELLE	SCHEIBE	2
34	12155000/0	DADO	NUT	ECROU	MUTTER	2
35*	18400920/0	ASSE POSTERIORE	REAR AXLE	AXE ARRIERE	HINTERACHSE	1
36	12691800/0	VITE	SCREW	VIS	SCHRAUBE	4
37	12521350/0	RONDELLA	WASHER	RONDELLE	SCHEIBE	4
38	12155000/0	DADO	NUT	ECROU	MUTTER	4
39	25774247/0	STAFFA	CLAMP	ETRIER	BRIDE	2
40	12735150/0	VITE	SCREW	VIS	SCHRAUBE	2
41	12792610/0	VITE	SCREW	VIS	SCHRAUBE	2
42	12293201/0	DADO	NUT	ECROU	MUTTER	2
43	25318149/0	LEVA	LEVER	LEVIER	HEBEL	1
44	12521370/0	RONDELLA	WASHER	RONDELLE	SCHEIBE	1
45	12523050/0	RONDELLA	WASHER	RONDELLE	SCHEIBE	1
46	12735520/0	VITE	SCREW	VIS	SCHRAUBE	1
47	12582100/0	GROWER	GROWER	GROWER	GROWER	1
71	82680003/0	RUOTA POSTERIORE	REAR WHEEL	ROUE ARRIERE	HINTERRAD	2
72	82000592/0	CERCHIO RUOTA	RIMM	BANDAGE ROUE	HINTRERRAD FELGER	2
73	25590001/0	PNEUMATICO	SHOE	PNEU	REIFEN	2
74	12521410/0	RONDELLA	WASHER	RONDELLE	SCHEIBE	4
75	25670005/1	RONDELLA	WASHER	RONDELLE	SCHEIBE	2
76	12001010/0	ANELLO ELASTICO	SNAP RING	ANNEAU RESSORT	SPRENGRING	2
77	22110230/0	COPRIMOZZO	HUB COVER	COUVRE MOYEU	NABEDECHEL	2

PER LA SOSTITUZIONE DELLE PARTI CONTRASSEGNALE CON «*» RIVOLGERSI AL SERVIZIO ASSISTENZA DEL COSTRUTTORE (TECUMSEH).
TO REPLACE THE PARTS MARKED «*» SEEK ASSISTANCE FROM MANUFACTURER'S AFTER SALES SERVICE (TECUMSEH).
POUR LE REMPLACEMENT DES PIÈCES MARQUÉES AVEC «*» S'ADRESSER AU SERVICE APRÈS VENTES DU CONSTRUCTEUR (TECUMSEH).
ZUM AUSTAUSCH DER MIT «*» GEKENNZEICHNETEN TEILE, WENDEN SIE SICH AN DEN KUNDENDIENST DES HERSTELLERS (TECUMSEH).

SOLLEVAMENTO PIATTO
 CUTTING PLATE LIFTING
 SOULEVEMENT PLATEAU DE COUPE
 SCHNEIDWERKZEUG AUFHEBESATZ

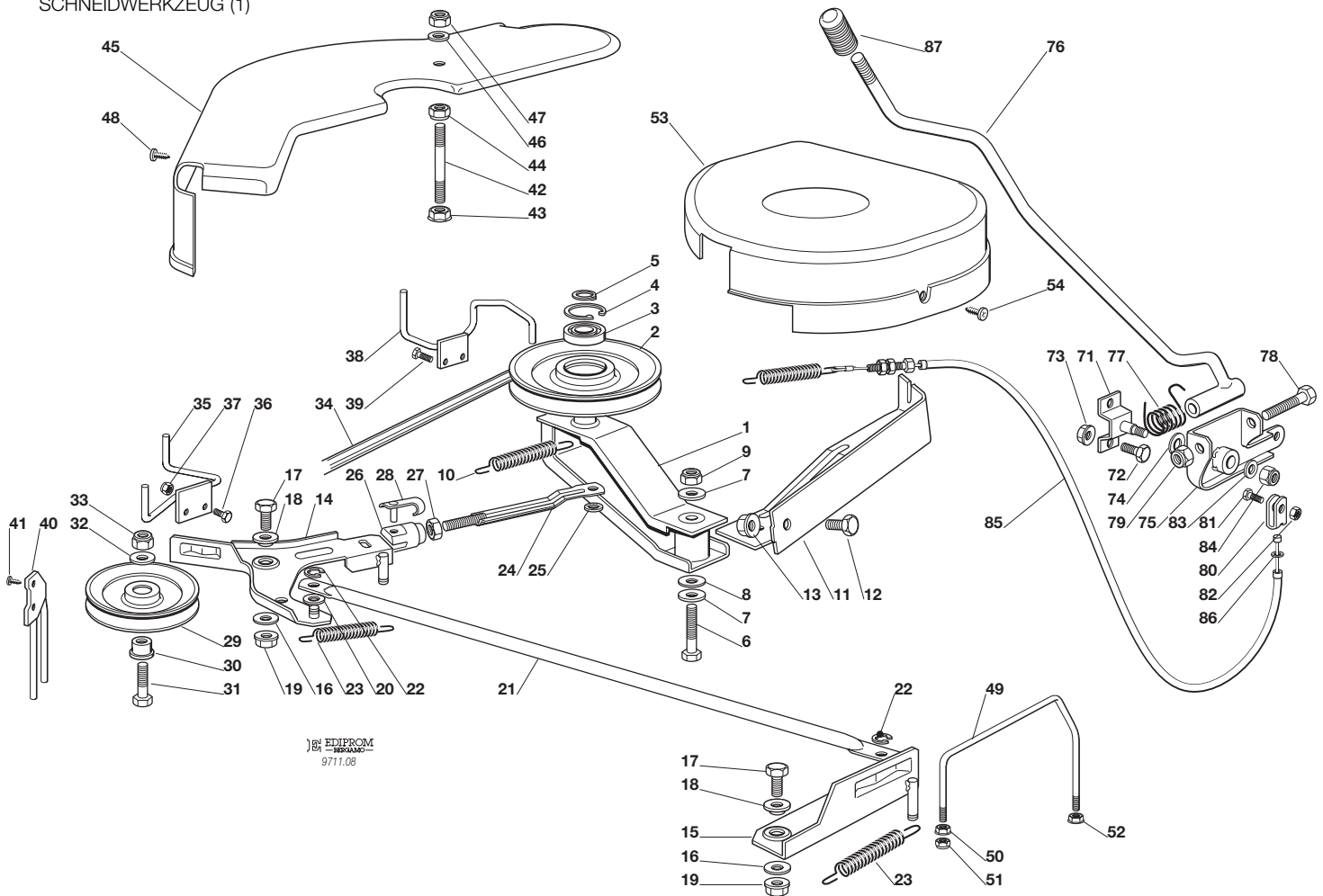


EDIPROM
 9711.07

Pos. Nr.	Codice Kodex Code	Descrizione	Description	Description	Beschreibung	Q.tà Q.ty Q.té Menge
1	82300002/0	ASSIEME LEVA (2÷9)	LEVER ASS.Y (2÷9)	ENS. LEVIER (2÷9)	SCHNEIDWERKZEUG AUFHEBENHEBEL (2÷9)	1
2	82318139/0	LEVA	LEVER	LEVIER	HEBEL	1
3	82605000/0	PULSANTE	BUTTON	POUSSOIR	DRUCKKNOPF	1
4	25470901/0	NASELLO	DOG	DECLIC	NASE	1
5	25510011/0	PERNO	PIN	PIVOT	BOLZEN	1
6	25033002/0	ASTA	ROD	TIGE	STAB	1
7	25394504/0	MANOPOLA	KNOB	POIGNEE	GRIFF	1
8	25430208/0	MOLLA	SPRING	RESSORT	FEDER	1
9	12604899/0	RONDELLA	WASHER	RONDELLE	SCHEIBE	1
10	82000403/0	ASSE	AXLE	AXE	ACHSE	1
11	22034523/0	BOCCOLA	BUSH	DOUILLE	BÜCHSE	2
12	25160013/0	DISTANZIALE	SPACER	ENTRETOISE	ENTFERNUNGSSTÜCK	1
13	12521410/0	RONDELLA	WASHER	RONDELLE	SCHEIBE	1
14	12620206/0	SPINA	PIN	GOUPILLE	STIFT	2
15	25735506/0	SETTORE	SECTOR	SECTEUR	SEKTOR	1
16	12792611/0	VITE	SCREW	VIS	SCHRAUBE	2
17	12293201/0	DADO	NUT	ECROU	MUTTER	2
18	82004603/0	FILO	WIRE	FIL	KABEL	1
19	25601557/0	PULEGGIA	PULLEY	POULIE	RIEMENSCHIEBE	1
20	25510032/0	PERNO	PIN	PIVOT	BOLZEN	1
21	12691400/0	VITE	SCREW	VIS	SCHRAUBE	1
22	12523060/0	RONDELLA	WASHER	RONDELLE	SCHEIBE	1

Pos. Nr.	Codice Kodex Code	Descrizione	Description	Description	Beschreibung	Q.tà Q.ty Q.té Menge
23	12293201/0	DADO	NUT	ECROU	MUTTER	1
24	82000381/0	ASSE SOLLEVAMENTO	AXLE	AXE	ACHSE	1
25	25547037/0	PIASTRINA	PLATE	PLAQUE	PLATTE	2
26	12791011/0	VITE	SCREW	VIS	SCHRAUBE	4
27	12292102/0	DADO	NUT	ECROU	MUTTER	4
28	82318137/0	LEVA	LEVER	LEVIER	HEBEL	1
29	25547041/0	PIASTRINA	PLATE	PLAQUE	PLATTE	2
30	12731601/0	VITE	SCREW	VIS	SCHRAUBE	4
31	25033013/0	ASTA	ROD	TIGE	STAB	1
32	25510040/0	PERNO	PIN	PIVOT	BOLZEN	1
33	12293200/0	DADO	NUT	ECROU	MUTTER	1
34	12155000/0	DADO	NUT	ECROU	MUTTER	1
35	25670011/0	RONDELLA	WASHER	RONDELLE	SCHEIBE	2
36	12155000/0	DADO	NUT	ECROU	MUTTER	1
37	12521350/0	RONDELLA	WASHER	RONDELLE	SCHEIBE	1
38	24487997/0	COPPIGLIA	COTTER PIN	GOUPILLE	SPLIT	1

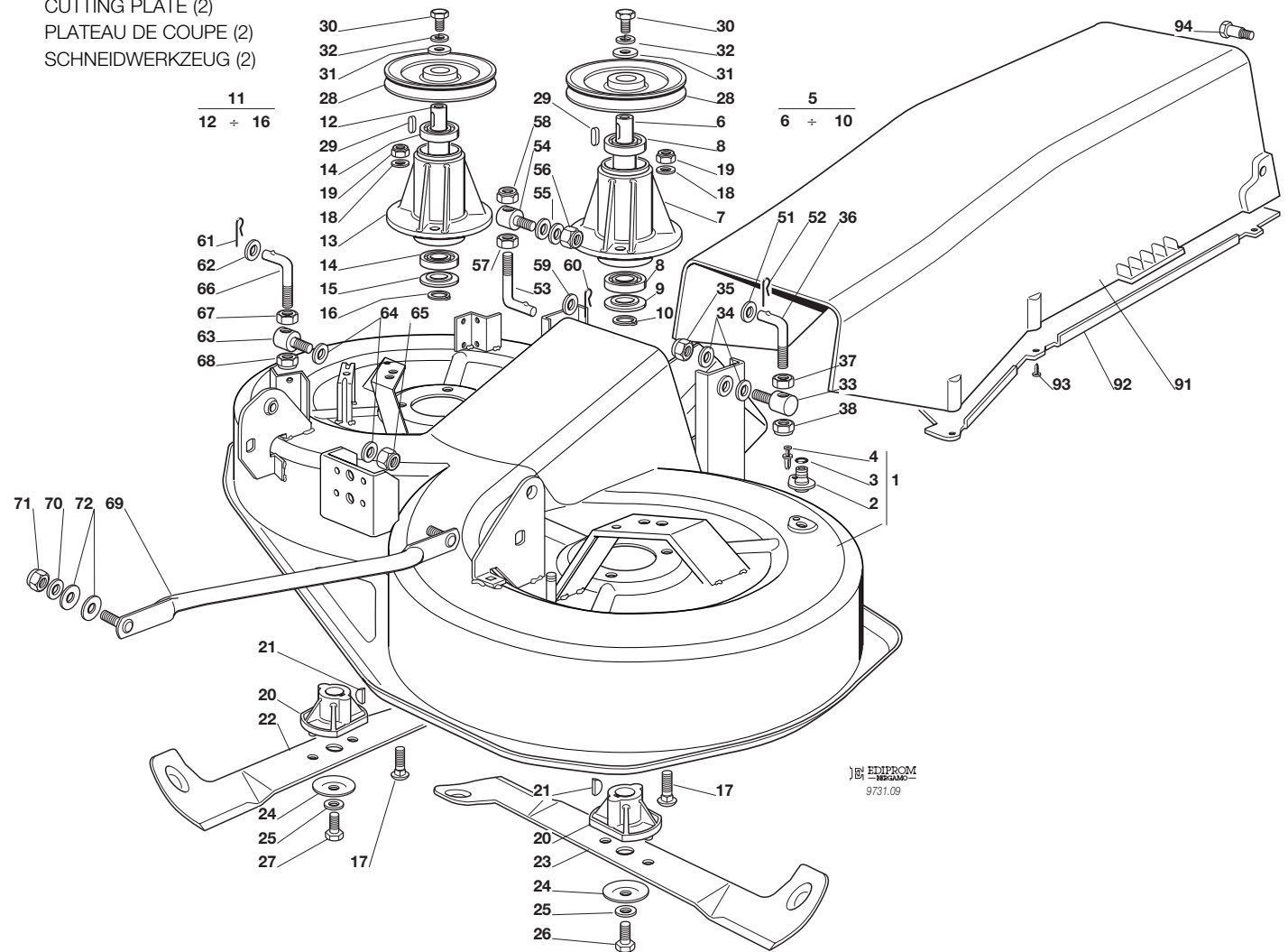
PIATTO DI TAGLIO (1)
 CUTTING PLATE (1)
 PLATEAU DE COUPE (1)
 SCHNEIDWERKZEUG (1)



Pos. Nr.	Codice Kodex Code	Descrizione	Description	Description	Beschreibung	Q.tà Q.ty Q.té Menge
1	82318141/0	LEVA	LEVER	LEVIER	HEBEL	1
2	25601564/0	PULEGGIA	PULLEY	POULIE	RIEMENSCHLEIBE	1
3	19216033/1	CUSCINETTO	BEARING	ROULEMENT	KUEGELLAGER	1
4	12610800/0	ANELLO ELASTICO	SNAP RING	ANNEAU RESSORT	SPRENGRING	1
5	12609200/0	ANELLO ELASTICO	SNAP RING	ANNEAU RESSORT	SPRENGRING	1
6	12691700/0	VITE	SCREW	VIS	SCHRAUBE	1
7	12523070/0	RONDELLA	WASHER	RONDELLE	SCHEIBE	2
8	22672152/0	RONDELLA	WASHER	RONDELLE	SCHEIBE	1
9	12155000/0	DADO	NUT	ECROU	MUTTER	1
10	22450500/0	MOLLA	SPRING	RESSORT	FEDER	1
11	82774215/0	STAFFA	CLAMP	BRIDE	BRIDE	1
12	12792610/0	VITE	SCREW	VIS	SCHRAUBE	1
13	12293201/0	DADO	NUT	ECROU	MUTTER	1
14	82318143/1	LEVA DESTRA	RIGHT LEVER	LEVIER DROITE	RECHTE HEBEL	1
15	82318148/0	LEVA SINISTRA	LEFT LEVER	LEVIER GAUCHE	LINKE HEBEL	1
16	22672152/0	RONDELLA	WASHER	RONDELLE	SCHEIBE	2
17	12792611/0	VITE	SCREW	VIS	SCHRAUBE	2
18	22041980/0	BUSSOLA	BUSH	DOUILLE	BÜCHSE	2
19	12293201/0	DADO	NUT	ECROU	MUTTER	2
20	25670011/0	RONDELLA	WASHER	RONDELLE	SCHEIBE	1
21	25033024/0	ASTA	ROD	TIGE	TAB	1
22	12436050/0	PIASTRINA	PLATE	PLAQUE	PLATTE	2
23	25430229/1	MOLLA	SPRING	RESSORT	FEDER	2

Pos. Nr.	Codice Kodex Code	Descrizione	Description	Description	Beschreibung	Q.tà Q.ty Q.té Menge
24	82000470/0	ASTA	ROD	TIGE	STAB	1
25	12436050/0	PIASTRINA	PLATE	PLAQUE	PLATTE	1
26	18399000/0	FORCELLA	FORK	FOURCHE	GABEL	1
27	12292100/0	DADO	NUT	ECROU	MUTTER	1
28	18210200/0	CLIP	CLIP	CLIP	SPERRBOLZEN	1
29	25601555/0	PULEGGIA	PULLEY	POULIE	RIEMENSCHLEIBE	1
30	25160007/0	DISTANZIALE	SPACER	ENTRETOISE	ENTFERNUNGSSTÜCK	1
31	12691100/0	VITE	SCREW	VIS	SCHRAUBE	1
32	12523060/0	RONDELLA	WASHER	RONDELLE	SCHEIBE	1
33	12155000/0	DADO	NUT	ECROU	MUTTER	1
34	35065700/0	CINGHIA	BELT	COURROIRE	KEILRIEMEN	1
35	25270300/0	GUIDACINGHIA	BELT GUIDE	GUIDE DE COURROIRE	RIEMENFÜHRUNG	1
36	12789000/0	VITE	SCREW	VIS	SCHRAUBE	2
37	12154330/0	DADO	NUT	ECROU	MUTTER	2
38	25270301/0	GUIDACINGHIA	BELT GUIDE	GUIDE DE COURROIRE	RIEMENFÜHRUNG	1
39	12729601/0	VITE	SCREW	VIS	SCHRAUBE	2
40	25270304/0	GUIDACINGHIA	BELT GUIDE	GUIDE DE COURROIRE	RIEMENFÜHRUNG	1
41	12731601/0	VITE	SCREW	VIS	SCHRAUBE	2
42	25580007/0	PRIGIONIERO	STUD SCREW	PRISONNIER	STIFTSCHLEIBE	1
43	12293201/0	DADO	NUT	ECROU	MUTTER	1
44	12155000/0	DADO	NUT	ECROU	MUTTER	1
45	25060102/0	CARTER	CASE	CARTER	BLECH	1
46	12523060/0	RONDELLA	WASHER	RONDELLE	SCHEIBE	1
47	12155000/0	DADO	NUT	ECROU	MUTTER	1
48	12735110/0	VITE	SCREW	VIS	SCHRAUBE	2
49	25270305/0	GUIDACINGHIA	BELT GUIDE	GUIDE DE COURROIRE	RIEMENFÜHRUNG	1
50	12293201/0	DADO	NUT	ECROU	MUTTER	1
51	12155000/0	DADO	NUT	ECROU	MUTTER	1
52	12292102/0	DADO	NUT	ECROU	MUTTER	1
53	25060103/0	CARTER	CASE	CARTER	BLECH	1
54	12735110/0	VITE	SCREW	VIS	SCHRAUBE	2
71	82785073/0	SUPPORTO	SUPPORT	SUPPORT	HALTER	1
72	12792611/0	VITE	SCREW	VIS	SCHRAUBE	2
73	12293201/0	DADO	NUT	ECROU	MUTTER	2
74	22672151/0	RONDELLA	WASHER	RONDELLE	SCHEIBE	1
75	82774204/0	STAFFA	CLAMP	BRIDE	BRIDE	1
76	82318135/0	LEVA	LEVER	LEVIER	HEBEL	1
77	25430227/0	MOLLA	SPRING	RESSORT	FEDER	1
78	12692050/0	VITE	SCREW	VIS	SCHRAUBE	1
79	12155000/0	DADO	NUT	ECROU	MUTTER	1
80	22061337/0	CAVALLOTTO	CONNECTING PLATE	PAQUE DE CONNEXION	BUGEL BOLZEN	1
81	12791213/0	VITE	SCREW	VIS	SCHRAUBE	1
82	12154510/0	DADO	NUT	ECROU	MUTTER	1
83	12523060/0	RONDELLA	WASHER	RONDELLE	SCHEIBE	1
84	12155010/0	DADO	NUT	ECROU	MUTTER	1
85	82004604/0	FILO	WIRE	FIL	KABEL	1
86	12523040/0	RONDELLA	WASHER	RONDELLE	SCHEIBE	1
87	82394503/0	MANOPOLA	KNOB	POIGNEE	GRIFF	1

PIATTO DI TAGLIO (2)
 CUTTING PLATE (2)
 PLATEAU DE COUPE (2)
 SCHNEIDWERKZEUG (2)

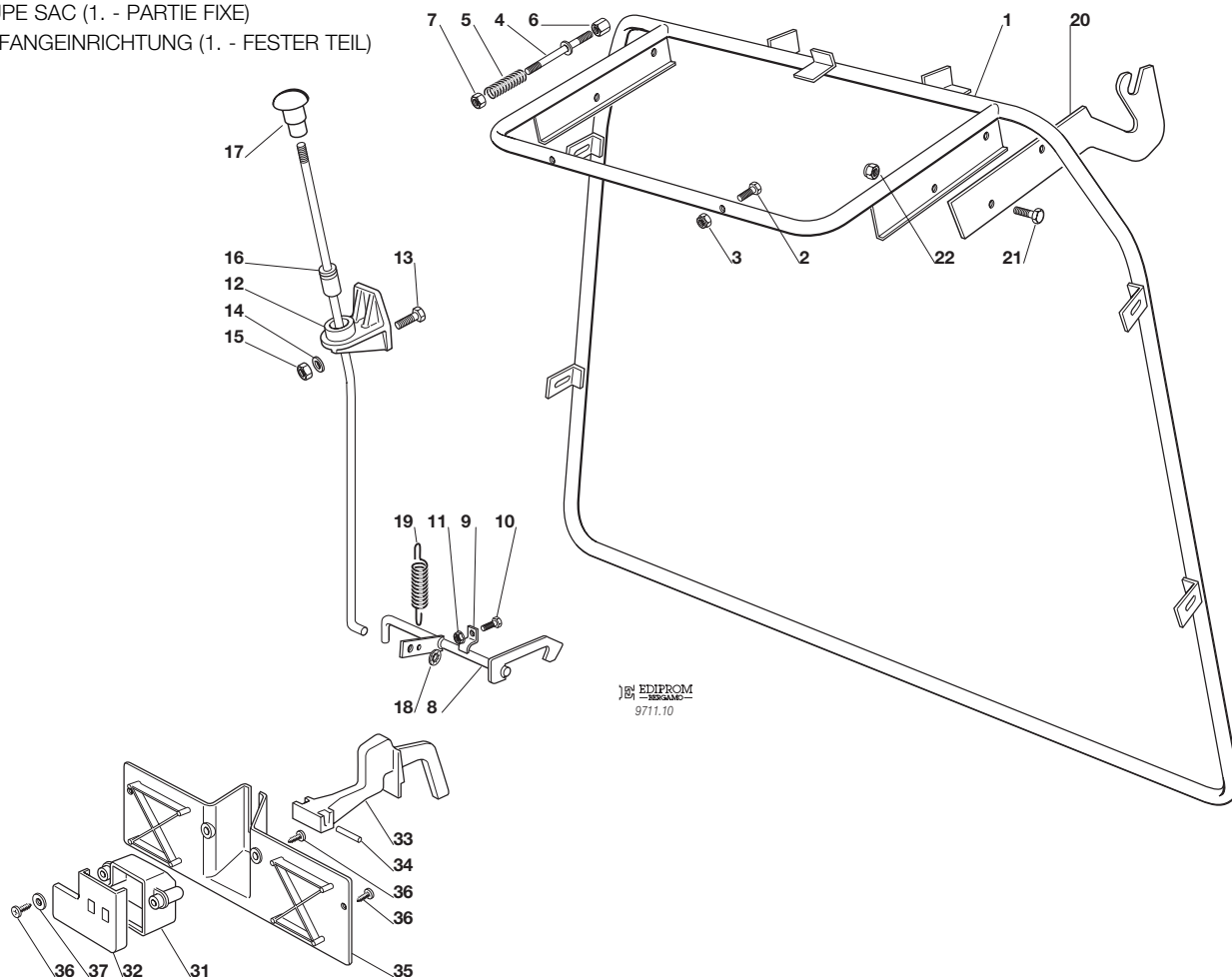


ELIPROM
 9731.09

Pos. Nr.	Codice Kodex Code	Descrizione	Description	Description	Beschreibung	Q.tà Q.ty Q.té Menge
1	82564034/1	PIATTO	PLATE	PLATEAU	SCHNEID	1
2	25033060/0	ATTACCO	WATER HOSE CONNECTION	RACCORD TUYAU D'EAU	WASSERANSCHLUSS	2
3	19035000/0	ANELLO OR	O RING	O RING	O RING	2
4	12500030/0	RIVETTO	RIVET	RIVET	NIET	2
5	82207202/0	ASS. FLANGIA SINISTRA (6÷10)	LEFT FLANGE ASS.Y (6÷10)	ENS. BRIDE GAUCHE (6÷10)	LINKE NABE, KOMPLETT (6÷10)	1
6	25020802/0	ALBERO	SHAFT	ARBRE	WELLE	1
7	25207200/0	FLANGIA	FLANGE	BRIDE	FLANSCH	1
8	19216032/0	CUSCINETTO	BEARING	ROULEMENT	KUGELLAGER	2
9	25160501/0	DISCO PARAPOLVERE	DUST COVER	PROTEGE-POUSSIERE	STAUBSCHUTTSCHIEBE	1
10	12609260/0	SEEGER	SEEGER	SEEGER	SEEGER	1
11	82207203/0	ASS. FLANGIA DESTRA (12÷16)	RIGHT FLANGE ASS.Y (12÷16)	ENS. BRIDE DROITE (12÷16)	RECHTE NABE, KOMPLETT (12÷16)	1
12	25020803/0	ALBERO	SHAFT	ARBRE	WELLE	1
13	25207200/0	FLANGIA	FLANGE	BRIDE	FLANSCH	1
14	19216032/0	CUSCINETTO	BEARING	ROULEMENT	KUGELLAGER	2
15	25160501/0	DISCO PARAPOLVERE	DUST COVER	PROTEGE-POUSSIERE	STAUBSCHUTTSCHIEBE	1
16	12609260/0	SEEGER	SEEGER	SEEGER	SEEGER	1
17	12818700/0	VITE	SCREW	VIS	SCHRAUBE	6
18	12521350/0	RONDELLA	WASHER	RONDELLE	SCHEIBE	6
19	12155000/0	DADO	NUT	ECROU	MUTTER	6
20	25463200/0	MOZZO COLTELLO	BLADE HUB	MOYEU LAME	MESSERHALTER	2
21	12139100/0	LINGUETTA	KEY	CLAVETTE	KEIL	2

Pos. Nr.	Codice Kodex Code	Descrizione	Description	Description	Beschreibung	Q.tà Q.ty Q.té Menge
22	82004345/0	COLTELLO DESTRO	RIGHT BLADE	LAME DROITE	RECHTER MESSER	1
23	82004344/0	COLTELLO SINISTRO	LEFT BLADE	LAME GAUCHE	LINKER MESSER	1
24	22160400/0	DISCO PARAPOLVERE	DUST COVER	PROTEGE-POUSSIÈRE	STAUBSCHUTSCHEIBE	2
25	12523080/0	RONDELLA	WASHER	RONDELLE	SCHEIBE	2
26	12735694/0	VITE	SCREW	VIS	SCHRAUBE	1
27	12735695/1	VITE	SCREW	VIS	SCHRAUBE	1
28	25601563/0	PULEGGIA	PULLEY	POULIE	RIEMENSCHLEIBE	2
29	12139480/0	CHIAVETTA	KEY	CLAVETTE	KEIL	2
30	12793102/0	VITE	SCREW	VIS	SCHRAUBE	2
31	25670007/0	RONDELLA	WASHER	RONDELLE	SCHEIBE	2
32	12583500/0	GROWER	GROWER	GROWER	GROWER	2
33	25510024/0	PERNO	PIN	PIVOT	BOLZEN	1
34	25670008/0	RONDELLA	WASHER	RONDELLE	SCHEIBE	2
35	12156602/0	DADO	NUT	ECROU	MUTTER	1
36	25840003/0	TIRANTE	TIE ROD	TIRANT	SPANNSTANGE	1
37	12295200/0	DADO	NUT	ECROU	MUTTER	1
38	12156602/0	DADO	NUT	ECROU	MUTTER	1
—	82564036/1	PIATTO DI TAGLIO ASSEMBLATO (008, 1÷39 + 009, 1÷38)	CUTTING PLATE, ASSEMBLED (008, 1÷39 + 009, 1÷38)	PLATEAU DE COUPE, COMPLETE (008, 1÷39 + 009, 1÷38)	SCHNEIDWERKZEUG, KOMPLETT (008, 1÷39 + 009, 1÷38)	
51	25670008/0	RONDELLA	WASHER	RONDELLE	SCHEIBE	1
52	24487997/0	COPPIGLIA	COTTER PIN	GOUPILLE	SPLIT	1
53	25840007/0	TIRANTE	TIE ROD	TIRANT	SPANNSTANGE	1
54	25510024/0	PERNO	PIN	PIVOT	BOLZEN	2
55	25670008/0	RONDELLA	WASHER	RONDELLE	SCHEIBE	2
56	12156602/0	DADO	NUT	ECROU	MUTTER	1
57	12295200/0	DADO	NUT	ECROU	MUTTER	1
58	12156602/0	DADO	NUT	ECROU	MUTTER	1
59	12521360/0	RONDELLA	WASHER	RONDELLE	SCHEIBE	1
60	24487997/0	COPPIGLIA	COTTER PIN	GOUPILLE	SPLIT	1
61	24487997/0	COPPIGLIA	COTTER PIN	GOUPILLE	SPLIT	1
62	25670008/0	RONDELLA	WASHER	RONDELLE	SCHEIBE	1
63	25510024/0	PERNO	PIN	PIVOT	BOLZEN	1
64	25670008/0	RONDELLA	WASHER	RONDELLE	SCHEIBE	2
65	12156602/0	DADO	NUT	ECROU	MUTTER	1
66	25840003/0	TIRANTE	TIE ROD	TIRANT	SPANNSTANGE	1
67	12295200/0	DADO	NUT	ECROU	MUTTER	1
68	12156602/0	DADO	NUT	ECROU	MUTTER	1
69	82000474/0	ASTA BILANCIERE	EQUALIZER ROD	TIGE BALANCIER	KIPPHEBEL	2
70	12523060/0	RONDELLA	WASHER	RONDELLE	SCHEIBE	4
71	12156602/0	DADO	NUT	ECROU	MUTTER	4
72	25670008/0	RONDELLA	WASHER	RONDELLE	SCHEIBE	8
91	25108004/0	CONVOGLIATORE	CONVEYOR	CONVOYEUR	BLECHSATZ	1
92	25190091/0	DEFLETTORE	DEFLECTOR	DEFLECTEUR	ABWEISER	1
93	12735402/0	VITE	SCREW	VIS	SCHRAUBE	6
94	25510044/0	PERNO	PIN	PIVOT	BOLZEN	2

GRUPPO SACCO (1. - PARTE FISSA)
 GRASSCATCHER GROUP (1. - FIXED PART)
 GROUPE SAC (1. - PARTIE FIXE)
 GRASFANGEINRICHTUNG (1. - FESTER TEIL)



Pos. Nr.	Codice Kodex Code	Descrizione	Description	Description	Beschreibung	Q.tà Q.ty Q.té Menge
1	82800017/0	TELAIO	FRAME	CHASSIS	RAHMEN	1
2	12791500/0	VITE	SCREW	VIS	SCHRAUBE	5
3	12154510/0	DADO	NUT	ECROU	MUTTER	5
4	82000465/0	ASTA	ROD	TIGE	STANGE	1
5	25430232/0	MOLLA	SPRING	RESSORT	FEDER	1
6	25510042/0	PERNO	PIN	PIVOT	BOLZEN	2
7	12292100/0	DADO	NUT	ECROU	MUTTER	1
8	82000363/0	ASTA AGGANCIO SACCO	COUPLING ROD	TIGE D'ACCROCHAGE	KUPPLUNGSTANGE	1
9	25774220/0	STAFFA ANCORAGGIO	ANCHOR BRACKET	ETRIER	BRIDE	2
10	12790781/0	VITE	SCREW	VIS	SCHRAUBE	2
11	12292102/0	DADO	NUT	ECROU	MUTTER	2
12	25785055/0	SUPPORTO	SUPPORT	SUPPORT	HALTER	1
13	12791200/0	VITE	SCREW	VIS	SCHRAUBE	1
14	12521330/0	ROSETTA	WASHER	RONDELLE	SCHEIBE	1
15	12154510/0	DADO	NUT	ECROU	MUTTER	1
16	82000467/0	ASTA SGANCIO	RELEASE ROD	TIGE DE DECROCHAGE	ENTKUPPLUNGSTANGE	1
17	82394507/0	MANOPOLA	HANDLE	POIGNEE	GRIF	1
18	12604898/0	RONDELLA	WASHER	RONDELLE	SCHEIBE	1
19	25430220/0	MOLLA	SPRING	RESSORT	FEDER	1
20	25785077/0	SUPPORTO	SUPPORT	SUPPORT	HALTER	2
21	12793102/0	VITE	SCREW	VIS	SCHRAUBE	4
22	12155000/0	DADO	NUT	ECROU	MUTTER	4
31	25600022/0	PROTEZIONE MICRO	MICRO PROTECTION	PROTECTION MICRO	SCHUTZ	1
32	25600023/0	COPERCHIO PROTEZIONE	PROTECTION COVER	COUVERCLE PROTECTION	SCHUTZDEKEL	1

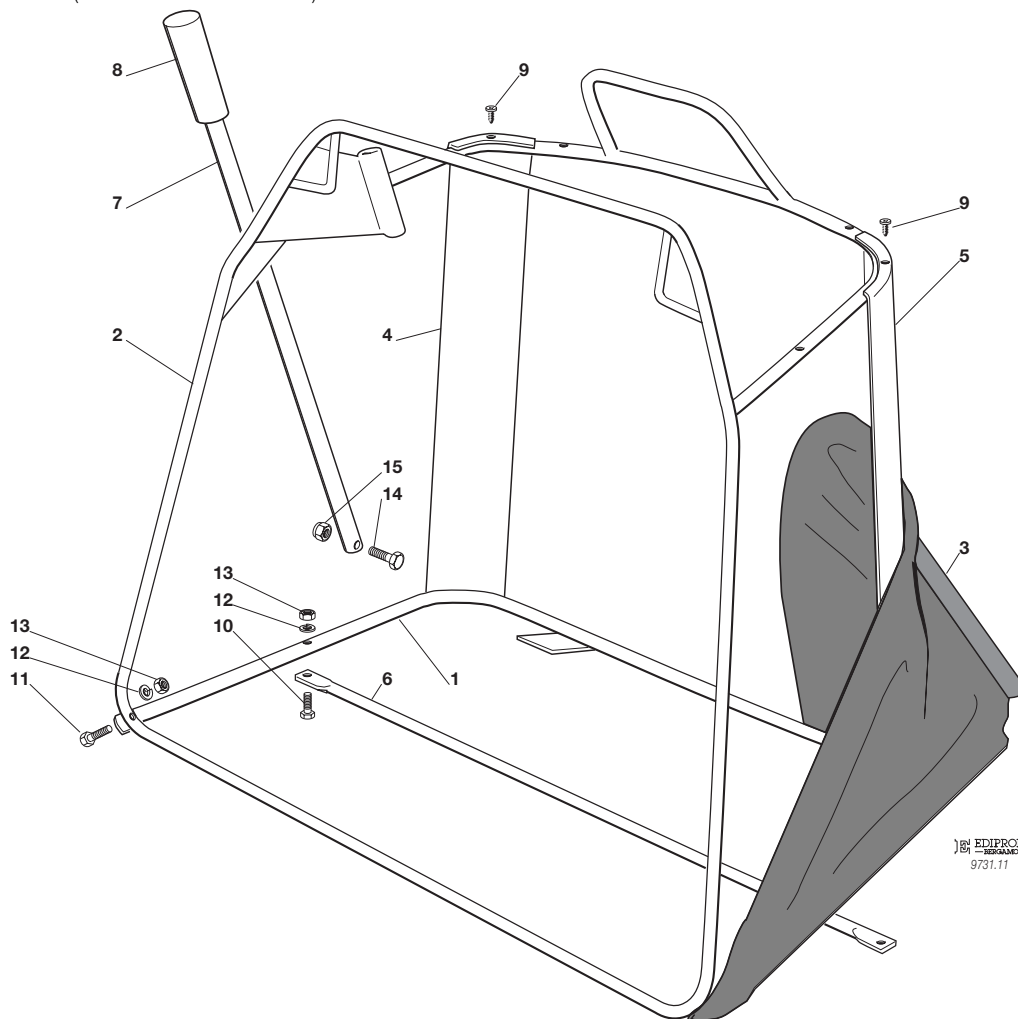
Pos. Nr.	Codice Kodex Code	Descrizione	Description	Description	Beschreibung	Q.tà Q.ty Q.té Menge
33	25318124/0	LEVA	LEVER	LEVIER	HEBEL	1
34	12400030/0	PERNO	PIN	PIVOT	BOLZEN	1
35	25774251/0	STAFFA	BRACKET	SUPPORT	SHELLE	1
36	12728510/0	VITE	SCREW	VIS	SCHRAUBE	3
37	12523020/0	RONDELLA	WASHER	RONDELLE	SCHEIBE	1

GRUPPO SACCO (2. - PARTE MOBILE)

GRASSCATCHER GROUP (2. - MOBILE PART)

GROUPE SAC (2. - PARTIE MOBILE)

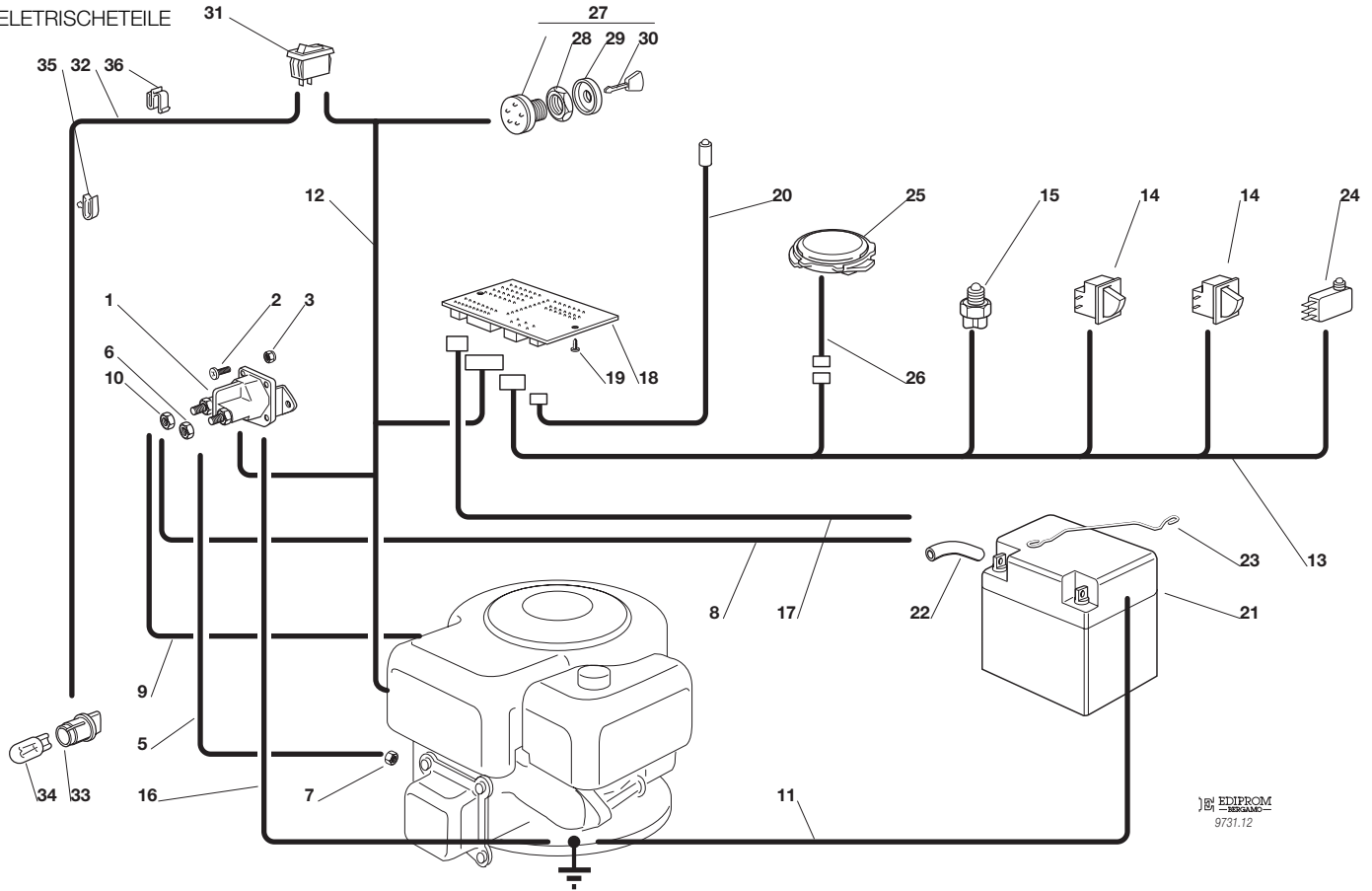
GRASFANGEINRICHTUNG (2. - BEWEGLICHER TEIL)



EDIPROM
 9731.11

Pos. Nr.	Codice Kodex Code	Descrizione	Description	Description	Beschreibung	Q.tà Q.ty Q.té Menge
1	82800015/0	TELAIO INFERIORE	LOWER FRAME	CHASSIS INFÉRIEUR	UNTERERRAHMEN	1
2	82800014/1	TELAIO SUPERIORE	UPPER FRAME	CHASSIS SUPÉRIEUR	OBERERRAHMEN	1
3	82105998/0	CONFEZIONE SACCO	GRASSCATCHER	BAC	SACK	1
4	25032004/0	ANGOLARE DESTRO	RIGHT ANGULAR SUPPORT	SUPPORT ANGULAIRE DROITE	RECHTER HALTER	1
5	25032005/0	ANGOLARE SINISTRO	LEFT ANGULAR SUPPORT	SUPPORT ANGULAIRE GAUCHE	LINKER HALTER	1
6	82650039/0	RINFORZO	STIFFENING	RENFORCEMENT	VERSTAERKUNG	1
7	25869029/0	TUBO	ROD	TIGE	STANGE	1
8	25394508/0	MANOPOLA	HANDLE	POINGEE	GRIF	1
9	12729601/0	VITE	SCREW	VIS	SCHRAUBE	4
10	12792099/0	VITE	SCREW	VIS	SCHRAUBE	2
11	12792099/0	VITE	SCREW	VIS	SCHRAUBE	2
12	12582101/0	GROWER	GROWER	GROWER	GROWER	4
13	12292100/0	DADO	NUT	ECROU	MUTTER	4
14	12792099/0	VITE	SCREW	VIS	SCHRAUBE	1
15	12154510/0	DADO	NUT	ECROU	MUTTER	1

GRUPPO PARTI ELETTRICHE
 ELECTRICAL PARTS GROUP
 GROUPE PARTIES ELECTRIQUES
 ELETRISCHETEILE

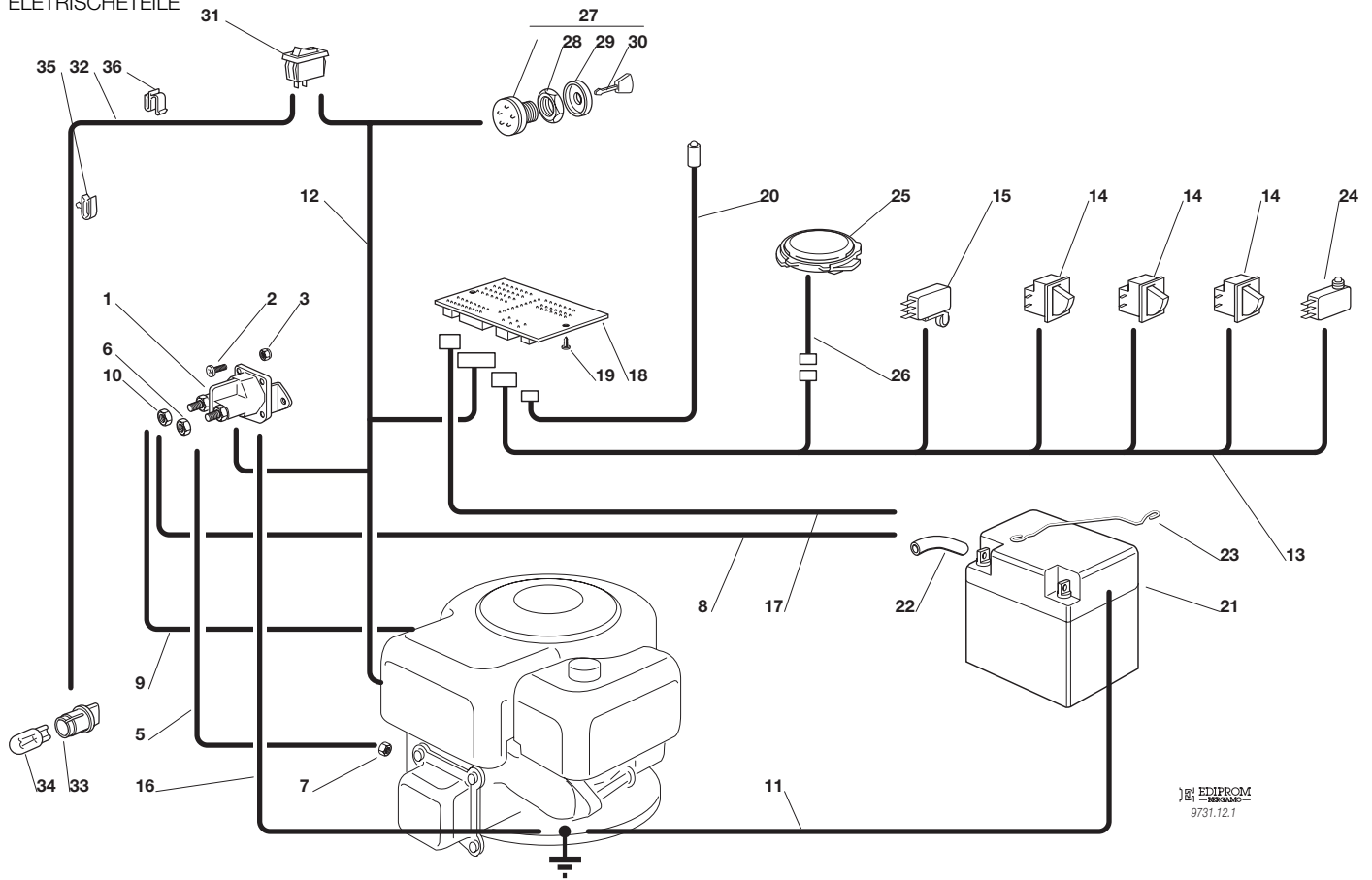


EDIPROM
 9731.12

Pos. Nr.	Codice Kodex Code	Descrizione	Description	Description	Beschreibung	Q.tà Q.ty Q.té Menge
1	18736111/0	SOLENOIDE	SOLENOID	SOLENOIDE	SOLENOID	1
2	12791213/0	VITE	SCREW	VIS	SCHRAUBE	2
3	12292102/0	DADO	NUT	ECROU	MUTTER	2
5	25065017/0	CABLAGGIO SOLEN. AVV.	CABLES ASS.Y	ENS. CABLAGES	KABELSATZ	1
6	12360352/0	DADO	NUT	ECROU	MUTTER	1
7	12361005/0	DADO	NUT	ECROU	MUTTER	1
8	25065001/0	CAVO BATT. SOLENOIDE	CABLE	CABLES	KABEL	1
9	25065012/0	CAVO RICARICA	CABLE	CABLES	KABEL	1
10	12360352/0	DADO	NUT	ECROU	MUTTER	1
11	25065004/0	CAVO MASSA BATTERIA	CABLE	CABLES	KABEL	1
12	82040037/1	CABLAGGIO AVVIAMENTO	CABLES ASS.Y	ENS. CABLAGES	KABELSATZ	1
	82040038/1	10,5 - 12,5 HP B&S	110,5 - 12,5 HP B&S	10,5 - 12,5 HP B&S	10,5 - 12,5 HP B&S	
	82040037/1	15,5 HP B&S	15,5 HP B&S	15,5 HP B&S	15,5 HP B&S	
	82040037/1	11 - 13 HP TECUMSEH	11 - 13 HP TECUMSEH	11 - 13 HP TECUMSEH	11 - 13 HP TECUMSEH	
13	82040041/0	CABLAGGIO MICRO	CABLES ASS.Y	ENS. CABLAGES	KABELSATZ	1
14	19410606/0	MICRO INTERRUPTORE	MICRO	MICRO	MIKRO	2
15	19410608/0	INTERRUPTORE CAMBIO	GEARBOX SWITCH	INT. BOÎTE DE VITESSE	ANTRIEB SCHALTER	1
16	25065018/0	CAVO MASSA SOLENOIDE	CABLE	CABLES	KABEL	1
17	25065016/0	CAVO ALIM. SCHEDA	CABLE	CABLES	KABEL	1
18	25722410/0	SCHEDA ELETTRONICA	ELECTRONIC CARD	CARTE ELECTRONIQUE	ELEKTRONISCHE KARTE	1
19	12735101/0	VITE	SCREW	VIS	SCHRAUBE	2
20	25065014/1	CAVO LED SEGNALEZIONE	CABLE	CABLES	KABEL	1
21	18120002/0	BATTERIA	BATTERY	BATTERIE	BATTERIE	1
22	31300002/0	TUBO	PIPE	TUYAU	ROHR	1
23	25430230/0	MOLLA	SPRING	RESSORT	FEDER	1

Pos. Nr.	Codice Kodex Code	Descrizione	Description	Description	Beschreibung	Q.tà Q.ty Q.té Menge
24	25425000/1	MICRO SACCO PIENO	FULL GRASSCATCHER MICROSWITCH	MICRO BAC PLEIN	VOLLKORB VORRICHTUNG	1
25	19410607/0	MICRO SEDILE	MICRO	MICRO	MIKRO	1
26	25065020/0	CAVO MICRO SEDILE	CABLE	CABLES	KABEL	1
27	18450065/1	INTERRUTTORE AVVIAMENTO	STARTING SWITCH	INTERRUPTEUR DEMARRAGE	SCHALTER	1
28	18400861/0	GHIERA	SCREWED RING	EMBOUT	NUTMUTTER	1
29	18565351/0	PROTEZIONE GHIERA	SCREWED RING PROTECTION	PROTECTION EMBOUT	NUTMUTTER SCHUTZ	1
30	18210016/0	CHIAVE AVVIAMENTO	STARTING KEY	CLEF A DEMARRAGE	SCHLÜSSEL FÜR START	1
31	18450060/0	INTERRUTTORE	FARILAMP SWITCH	INTERRUPTEUR PHARES	LICHTEN SCHALTER	1
32	82040036/0	CAVO	CABLE	CABLES	KABEL	1
33	33500030/0	PORTALAMPADE	LAMP HOLDER	DOUILLE DE LAMPE	SCHEINWERFERLAMPE	2
34	18459100/0	LAMPADA	FARILAMP FOR LIGHTS	LAMPE POUR PHARES	LAMPENFASSUN	2
35	33320506/0	FERMACAVO	FAIRLED	FIXATION CABLE	KABELBEFESTIGUNG	1
36	33320504/0	FERMACAVO	FAIRLED	FIXATION CABLE	KABELBEFESTIGUNG	1

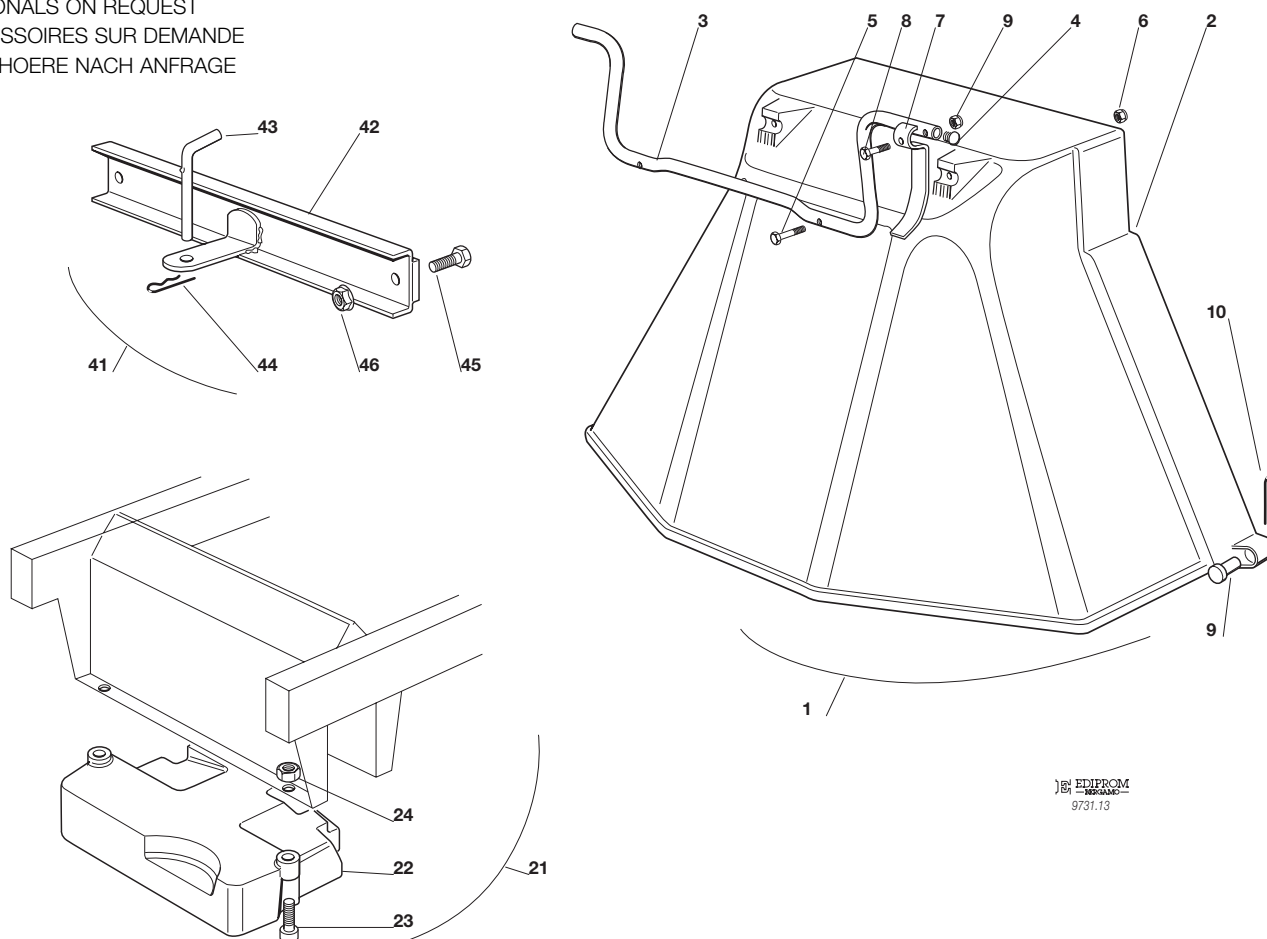
GRUPPO PARTI ELETTRICHE
 ELECTRICAL PARTS GROUP
 GROUPE PARTIES ELECTRIQUES
 ELETRISCHETEILE



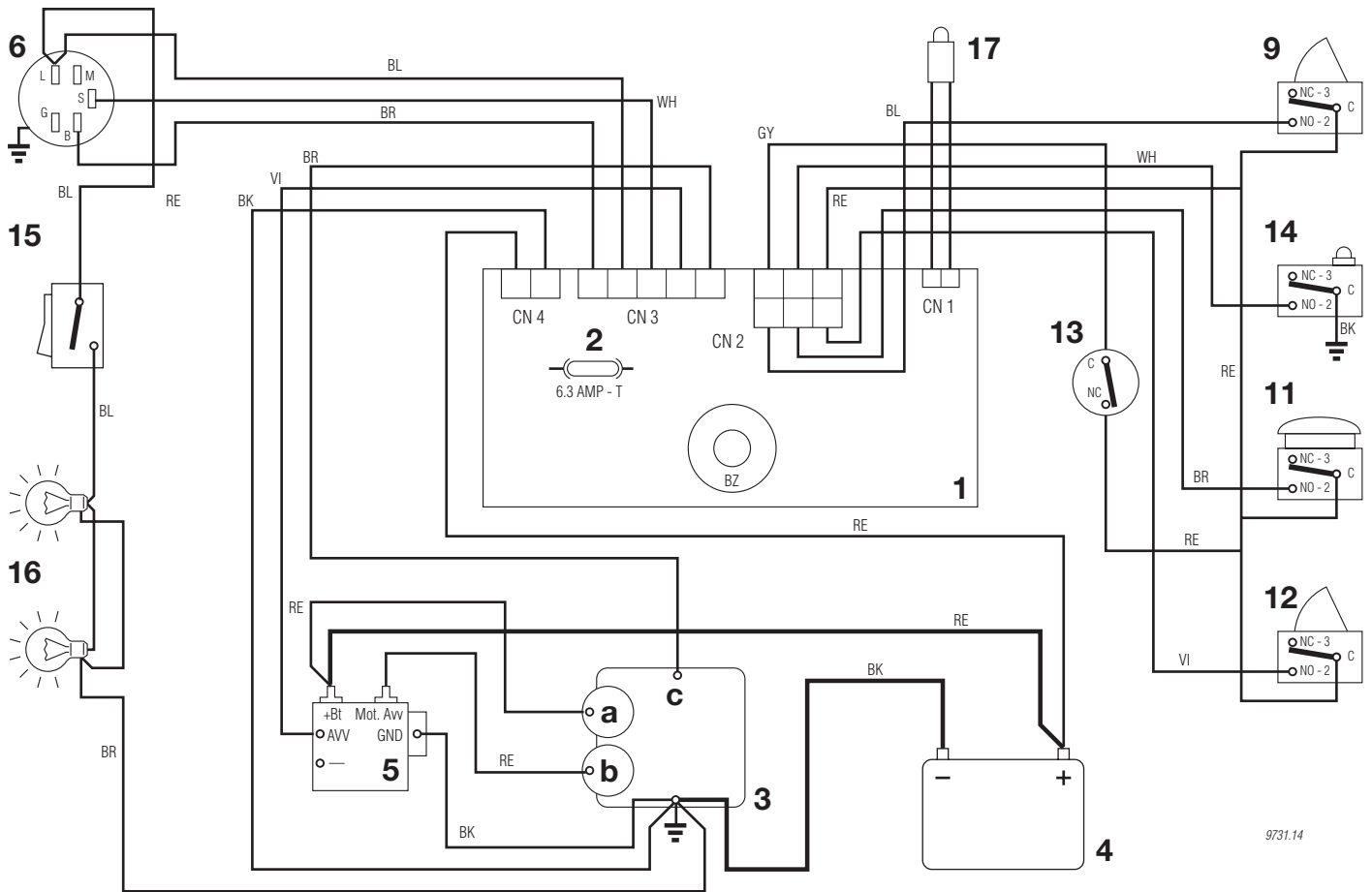
Pos. Nr.	Codice Kodex Code	Descrizione	Description	Description	Beschreibung	Q.tà Q.ty Q.té Menge
1	18736111/0	SOLENOIDE	SOLENOID	SOLENOIDE	SOLENOID	1
2	12791213/0	VITE	SCREW	VIS	SCHRAUBE	2
3	12292102/0	DADO	NUT	ECROU	MUTTER	2
5	25065017/0	CABLAGGIO SOLEN. AVV.	CABLES ASS.Y	ENS. CABLAGES	KABELSATZ	1
6	12360352/0	DADO	NUT	ECROU	MUTTER	1
7	12361005/0	DADO	NUT	ECROU	MUTTER	1
8	25065001/0	CAVO BATT. SOLENOIDE	CABLE	CABLES	KABEL	1
9	25065012/0	CAVO RICARICA	CABLE	CABLES	KABEL	1
10	12360352/0	DADO	NUT	ECROU	MUTTER	1
11	25065004/0	CAVO MASSA BATTERIA	CABLE	CABLES	KABEL	1
12	←	CABLAGGIO AVVIAMENTO	CABLES ASS.Y	ENS. CABLAGES	KABELSATZ	1
	82040037/1	10,5 - 12,5 HP B&S	110,5 - 12,5 HP B&S	10,5 - 12,5 HP B&S	10,5 - 12,5 HP B&S	
	82040038/1	15,5 HP B&S	15,5 HP B&S	15,5 HP B&S	15,5 HP B&S	
	82040037/1	11 - 13 HP TECUMSEH	11 - 13 HP TECUMSEH	11 - 13 HP TECUMSEH	11 - 13 HP TECUMSEH	
13	82040047/0	CABLAGGIO MICRO	CABLES ASS.Y	ENS. CABLAGES	KABELSATZ	1
14	19410606/0	MICRO INTERRUPTORE	MICRO	MICRO	MIKRO	3
15	19410609/0	MICRO INTERRUPTORE	MICRO	MICRO	MIKRO	1
16	25065018/0	CAVO MASSA SOLENOIDE	CABLE	CABLES	KABEL	1
17	25065021/0	CAVO ALIM. SCHEDA	CABLE	CABLES	KABEL	1
18	25722411/0	SCHEDA ELETTRONICA	ELECTRONIC CARD	CARTE ELECTRONIQUE	ELEKTRONISCHE KARTE	1
19	12735101/0	VITE	SCREW	VIS	SCHRAUBE	2
20	25065014/1	CAVO LED SEGNALEZIONE	CABLE	CABLES	KABEL	1
21	18120002/0	BATTERIA	BATTERY	BATTERIE	BATTERIE	1
22	31300002/0	TUBO	PIPE	TUYAU	ROHR	1
23	25430230/0	MOLLA	SPRING	RESSORT	FEDER	1

Pos. Nr.	Codice Kodex Code	Descrizione	Description	Description	Beschreibung	Q.tà Q.ty Q.té Menge
24	25425000/1	MICRO SACCO PIENO	FULL GRASSCATCHER MICROSWITCH	MICRO BAC PLEIN	VOLLKORB VORRICHTUNG	1
25	19410607/0	MICRO SEDILE	MICRO	MICRO	MIKRO	1
26	25065020/0	CAVO MICRO SEDILE	CABLE	CABLES	KABEL	1
27	18450065/1	INTERRUTTORE AVVIAMENTO	STARTING SWITCH	INTERRUPTEUR DEMARRAGE	SCHALTER	1
28	18400861/0	GHIERA	SCREWED RING	EMBOUT	NUTMUTTER	1
29	18565351/0	PROTEZIONE GHIERA	SCREWED RING PROTECTION	PROTECTION EMBOUT	NUTMUTTER SCHUTZ	1
30	18210016/0	CHIAVE AVVIAMENTO	STARTING KEY	CLEF A DEMARRAGE	SCHLÜSSEL FÜR START	1
31	18450060/0	INTERRUTTORE	FARILAMP SWITCH	INTERRUPTEUR PHARES	LICHTEN SCHALTER	1
32	82040036/0	CAVO	CABLE	CABLES	KABEL	1
33	33500030/0	PORTALAMPADE	LAMP HOLDER	DOUILLE DE LAMPE	SCHEINWERFERLAMPE	2
34	18459100/0	LAMPADA	FARILAMP FOR LIGHTS	LAMPE POUR PHARES	LAMPENFASSUN	2
35	33320506/0	FERMACAVO	FAIRLED	FIXATION CABLE	KABELBEFESTIGUNG	1
36	33320504/0	FERMACAVO	FAIRLED	FIXATION CABLE	KABELBEFESTIGUNG	1

ACCESSORI A RICHIESTA
 OPTIONALS ON REQUEST
 ACCESSOIRES SUR DEMANDE
 ZUBEHOERE NACH ANFRAGE



Pos. Nr.	Codice Kodex Code	Descrizione	Description	Description	Beschreibung	Q.tà Q.ty Q.té Menge
1	99900050/0	ASS. KIT PROTEZIONE USCITA	EJECTION-GUARD ASS.Y	KIT PROTECTION SORTIE	VORRICHTUNG FÜR AUSWURESCHUTZ	1
2	25600032/0	PROTEZIONE USCITA	EJECTION GUARD	PROTECTION SORTIE	AUSWURFSCHUTZ	1
3	25869031/0	TUBO DI AGGANCIO	SUPPORT	SOPPORT	HALTER	1
4	18566113/0	PUNTALE	CAP	BOUCHON	PFROPFEN	2
4	12674701/0	VITE	SCREW	VIS	SCHRAUBE	2
5	12154510/0	DADO	NUT	ECROU	MUTTER	2
6	25547053/0	PIASTRINA	PLATE	PLAQUETTE	PLÄTTCHEN	1
7	12791500/0	VITE	SCREW	VIS	SCHRAUBE	1
8	12154510/0	DADO	NUT	ECROU	MUTTER	1
9	25510022/0	PERNO	PIN	PIVOT	BOLZEN	2
10	24487998/0	COPPIGLIA	COTTER PIN	GOUPILLE	SPLIT	2
21	99900030/3	ASS. KIT PESO ANT.	FRONT WEIGHT KIT	KIT POIDS ANTERIEUR	VORDERGEWICHT VORRICHTUNG	1
22	25519999/2	PESO	WEIGHT	POIDS	GEWICHT	1
23	12760510/0	VITE	SCREW	VIS	SCHRAUBE	3
24	12155000/0	DADO	NUT	ECROU	MUTTER	3
41	99900080/0	ASS. KIT TRAINO	HITCH KIT	KIT DE TRAINAGE	ZUGVORRICHTUNG	1
42	82033103/0	BARRA	ROD	BARRE	STANGE	1
43	25510021/0	PERNO	PIN	PIVOT	BOLZEN	1
44	24487999/0	COPPIGLIA	COTTER PIN	GOUPILLE	SPLIT	1
45	12793301/0	VITE	SCREW	VIS	SCHRAUBE	2
46	12293201/0	DADO	NUT	ECROU	MUTTER	2
-	18737950/0	TELO DI COPERTURA	CLOTH	BÂCHE	PLANE	1



9731.14

1	SCHEDA CON BUZZER	ELECTRONIC CARD WITH BUZZER	CARTE ELECTRONIQUE AVEC BUZZER	ELECTRONISCHE KARTE MIT BUZZER
2	FUSIBILE 6,3 Amp. T	FUSE 6.3 Amp. T	FUSIBLE 6,3 Amp. T	SICHERUNG 6,3 Amp. T
3	MOTORE	ENGINE	MOTEUR	MOTOR
3a	Generatore	Generator	Genérateur	Generator
3b	Motorino avviamento	Starter	Demarreur	Anlasser
3c	Stop motore	Engine stop	Calage du moteur	Motor abstellung
4	BATTERIA	BATTERY	BATTERIE	BATTERIE
5	RELE AVVIAMENTO	STARTER RELAY	RELAIS DE DEMARRAGE	ANLASSER RELAIS
6	INTERRUTTORE A CHIAVE	ELECTROLOCK	INTERRUPTEUR D'ALLUMAGE	SCHLÜSSELSCHALTER
9	MICROINTERRUTTORE LAME	BLADES MICRO SWITCH	MICRO INTERRUPTEUR LAMES	MESSER MIKROSCHALTER
11	MICROINTERRUTTORE SEDILE	SEAT MICRO SWITCH	MICRO INTERRUPTEUR SIEGE	SITZMIKROSCHALTER
12	MICROINTERRUTTORE SACCO	GRASSCATCHER MICRO SWITCH	MICRO INTERRUPTEUR BAC	GRASFANGEINRICHTUNG MIKROSCHALTER
13	MICROINTERRUTTORE CAMBIO	GERARBOX MICROSWITCH	MICRO INT. BOÎTE DE VITESSE	ANTRIEB MICROSCHALTER
14	MICROINTERRUTTORE SACCO PIENO	FULL GRASSCATCHER MICRO SWITCH	MICRO BAC PLEIN	VOLLKORB VORRICHTUNG
15	INTERRUTTORE FARI	HEADLIGHT SWITCH	INTERRUPTEUR PHARES	LICHTSCHALTER
16	FARI	HEADLIGHT	PHARES	LICHT
17	SPIA	WARNING LIGHT	VOYANT	KONTROLLAMPE

COLORI CAVI

BK	NERO
BL	BLU
BR	MARRONE
GY	GRIGIO
RE	ROSSO
VI	VIOLA
YG	GIALLO/VERDE
WH	BIANCO

CABLE COLOURS

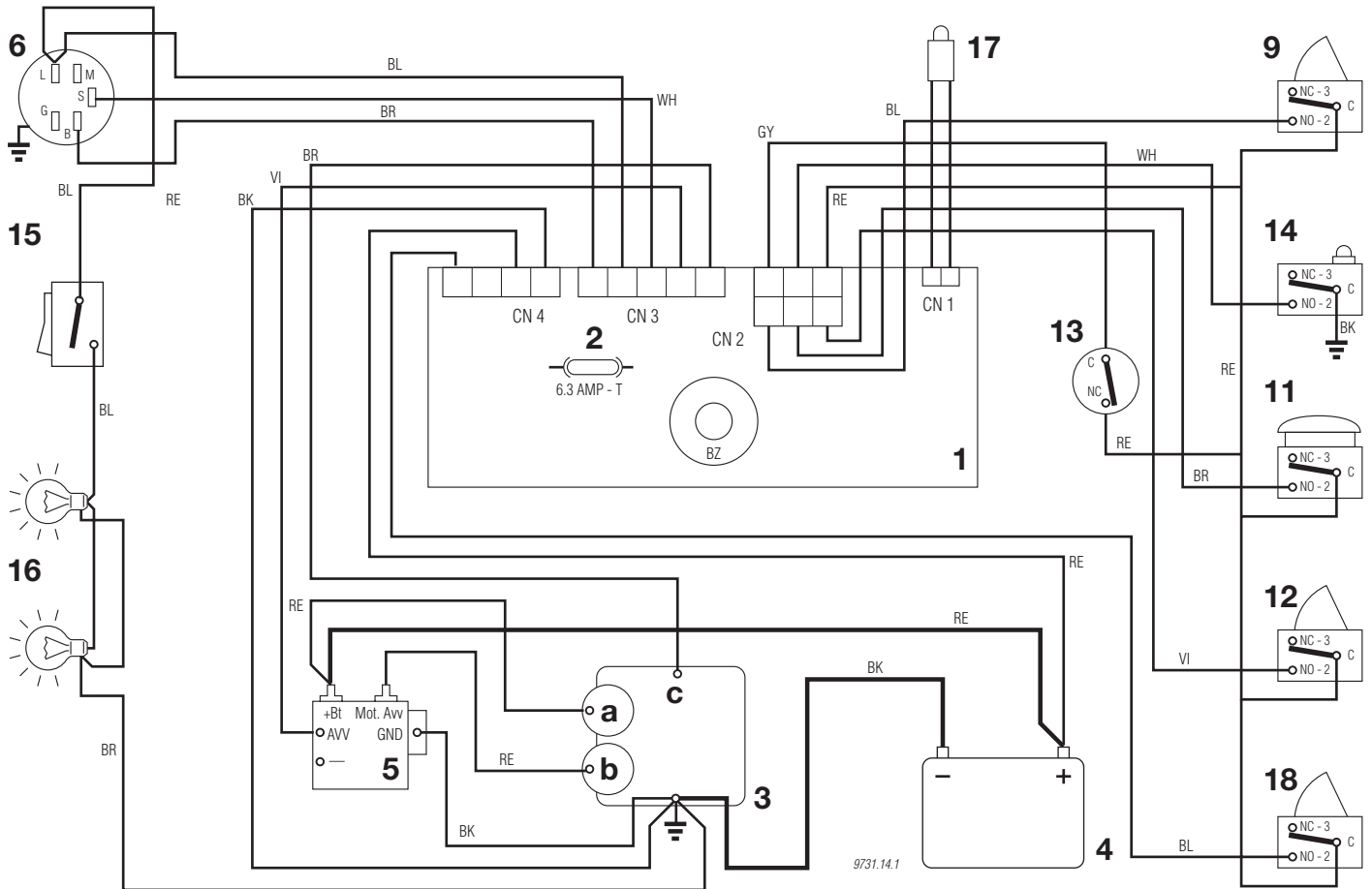
BK	BLACK
BL	BLUE
BR	BROWN
GY	GREY
RE	RED
VI	VIOLET
YG	YELLOW/GREEN
WH	WHITE

COULEUR CABLES

BK	NOIR
BL	BLEU
BR	BUN
GY	GRIS
RE	ROUGE
VI	VIOLEY
YG	JAUNE/VERT
WH	BLANC

KABEL FARBEN

BK	SCHWARZ
BL	BLAU
BR	BRAUN
GY	GRAU
RE	ROT
VI	VIOLETT
YG	GELB/GRÜN
WH	WEISS



1	SCHEDA CON BUZZER	ELECTRONIC CARD WITH BUZZER	CARTE ELECTRONIQUE AVEC BUZZER	ELECTRONISCHE KARTE MIT BUZZER
2	FUSIBILE 6,3 Amp. T	FUSE 6.3 Amp. T	FUSIBLE 6,3 Amp. T	SICHERUNG 6,3 Amp. T
3	MOTORE	ENGINE	MOTEUR	MOTOR
3a	Generatore	Generator	Genérateur	Generator
3b	Motorino avviamento	Starter	Demarreur	Anlasser
3c	Stop motore	Engine stop	Calage du moteur	Motor abstellung
4	BATTERIA	BATTERY	BATTERIE	BATTERIE
5	RELE AVVIAMENTO	STARTER RELAY	RELAIS DE DEMARRAGE	ANLASSER RELAIS
6	INTERRUTTORE A CHIAVE	ELECTROLOCK	INTERRUPTEUR D'ALLUMAGE	SCHLÜSSELSCHALTER
9	MICROINTERRUTTORE LAME	BLADES MICRO SWITCH	MICRO INTERRUPTEUR LAMES	MESSER MIKROSCHALTER
11	MICROINTERRUTTORE SEDILE	SEAT MICRO SWITCH	MICRO INTERRUPTEUR SIEGE	SITZMIKROSCHALTER
12	MICROINTERRUTTORE SACCO	GRASSCATCHER MICRO SWITCH	MICRO INTERRUPTEUR BAC	GRASFANGEINRICHTUNG MIKROSCHALTER
13	MICROINTERRUTTORE FOLLE	NEUTRAL MICROSWITCH	MICRO INT. POINT MORT	LEERLAUF MIKROSCHALTER
14	MICROINTERRUTTORE SACCO PIENO	FULL GRASSCATCHER MICRO SWITCH	MICRO BAC PLEIN	VOLLKORB VORRICHTUNG
15	INTERRUTTORE FARI	HEADLIGHT SWITCH	INTERRUPTEUR PHARES	LICHTSCHALTER
16	FARI	HEADLIGHT	PHARES	LICHT
17	SPIA	WARNING LIGHT	VOYANT	KONTROLLAMPE
18	MICROINTERRUTTORE FRENO	BRAKE MICRO SWITCH	MICRO INTERRUPTEUR FREIN	BREMSE MIKROSCHALTER

COLORI CAVI

BK	NERO
BL	BLU
BR	MARRONE
GY	GRIGIO
RE	ROSSO
VI	VIOLA
YG	GIALLO/VERDE
WH	BIANCO

CABLE COLOURS

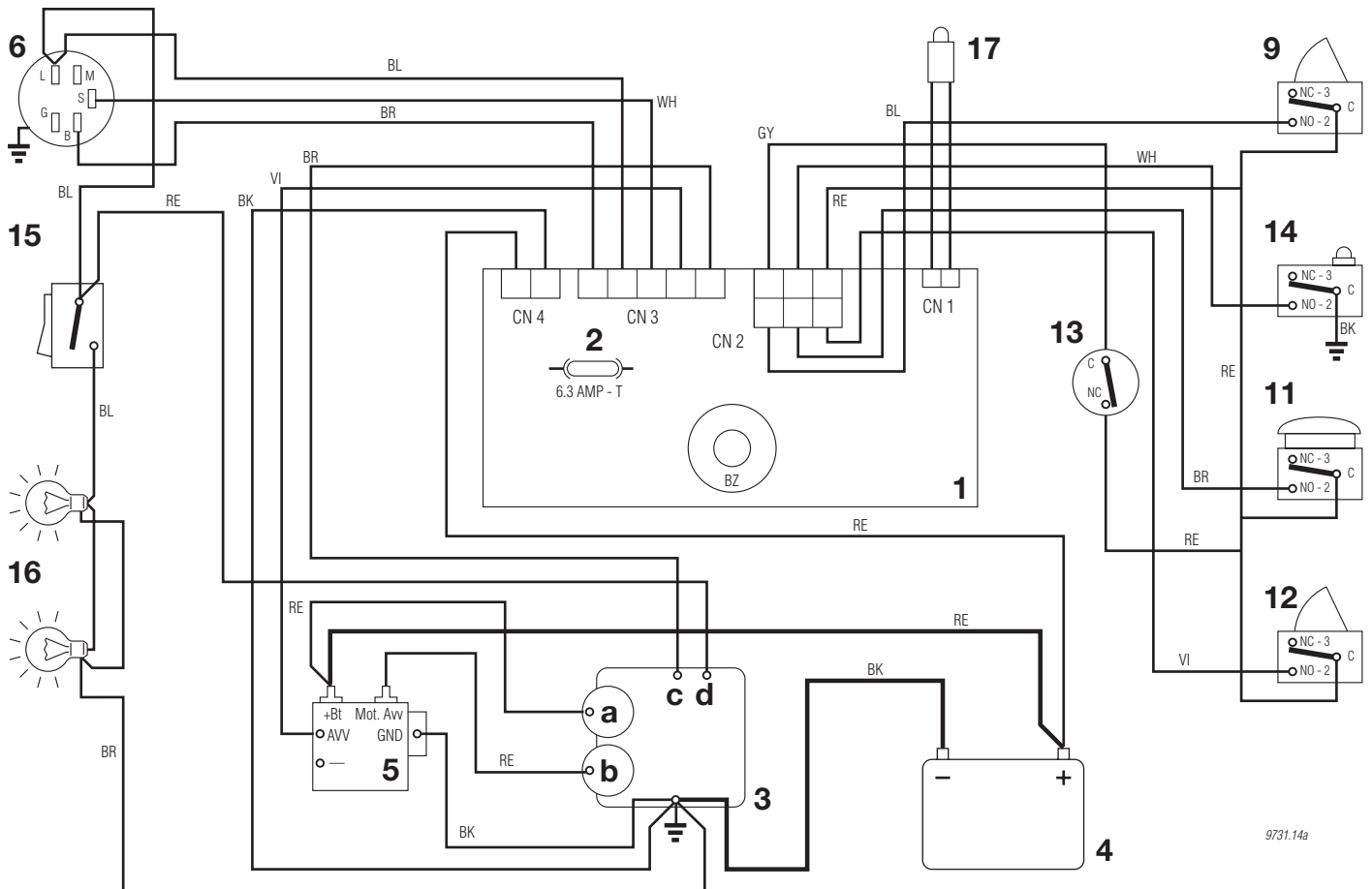
BLACK
BLUE
BROWN
GREY
RED
VIOLET
YELLOW/GREEN
WHITE

COULEUR CABLES

NOIR
BLEU
BUN
GRIS
ROUGE
VIOLEY
JAUNE/VERT
BLANC

KABEL FARBEN

SCHWARZ
BLAU
BRAUN
GRAU
ROT
VIOLETT
GELB/GRÜN
WEISS



9731.14a

1	SCHEDA CON BUZZER	ELECTRONIC CARD WITH BUZZER	CARTE ELECTRONIQUE AVEC BUZZER	ELECTRONISCHE KARTE MIT BUZZER
2	FUSIBILE 6,3 Amp. T	FUSE 6.3 Amp. T	FUSIBLE 6,3 Amp. T	SICHERUNG 6,3 Amp. T
3	MOTORE	ENGINE	MOTEUR	MOTOR
3a	Generatore	Generator	Genérateur	Generator
3b	Motorino avviamento	Starter	Demarreur	Anlasser
3c	Stop motore	Engine stop	Calage du moteur	Motor abstellung
3d	Carburatore	Carburetor	Carburateur	Vergaser
4	BATTERIA	BATTERY	BATTERIE	BATTERIE
5	RELE AVVIAMENTO	STARTER RELAY	RELAIS DE DEMARRAGE	ANLASSER RELAIS
6	INTERRUTTORE A CHIAVE	ELECTROLOCK	INTERRUPTEUR D'ALLUMAGE	SCHLÜSSELSCHALTER
9	MICROINTERRUTTORE LAME	BLADES MICRO SWITCH	MICRO INTERRUPTEUR LAMES	MESSER MIKROSCHALTER
11	MICROINTERRUTTORE SEDILE	SEAT MICRO SWITCH	MICRO INTERRUPTEUR SIEGE	SITZMIKROSCHALTER
12	MICROINTERRUTTORE SACCO	GRASSCATCHER MICRO SWITCH	MICRO INTERRUPTEUR BAC	GRASFANGEINRICHTUNG MIKROSCHALTER
13	MICROINTERRUTTORE CAMBIO	GERARBOX MICROSWITCH	MICRO INT. BOÎTE DE VITESSE	ANTRIEB MICROSWITCH
14	MICROINTERRUTTORE SACCO PIENO	FULL GRASSCATCHER MICRO SWITCH	MICRO BAC PLEIN	VOLLKORB VORRICHTUNG
15	INTERRUTTORE FARI	HEADLIGHT SWITCH	INTERRUPTEUR PHARES	LICHTSCHALTER
16	FARI	HEADLIGHT	PHARES	LICHT
17	SPIA	WARNING LIGHT	VOYANT	KONTROLLAMPE

COLORI CAVI

BK	NERO
BL	BLU
BR	MARRONE
GY	GRIGIO
RE	ROSSO
VI	VIOLA
YG	GIALLO/VERDE
WH	BIANCO

CABLE COLOURS

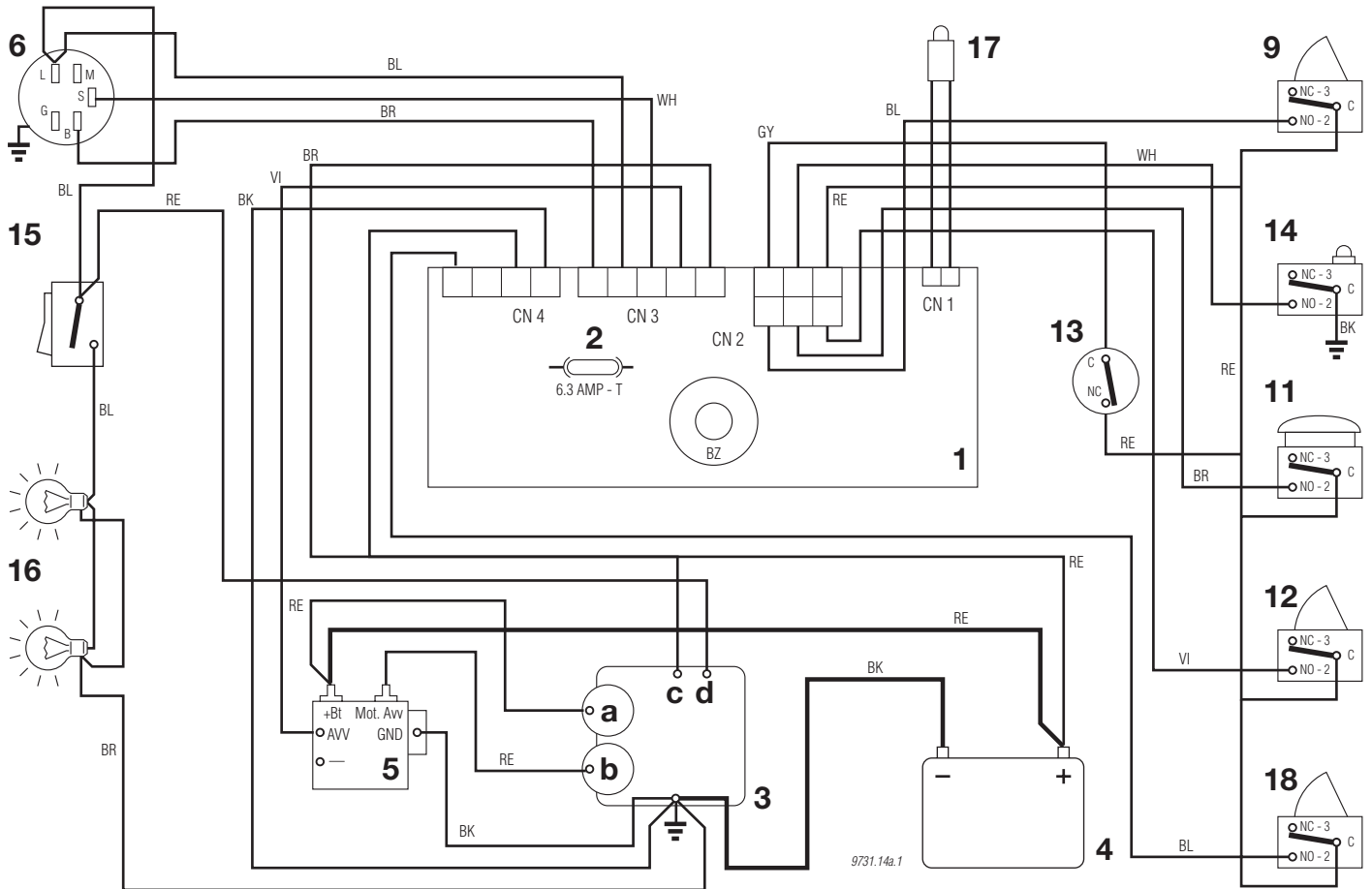
BLACK
BLUE
BROWN
GREY
RED
VIOLET
YELLOW/GREEN
WHITE

COULEUR CABLES

NOIR
BLEU
BUN
GRIS
ROUGE
VIOLEY
JAUNE/VERT
BLANC

KABEL FARBEN

SCHWARZ
BLAU
BRAUN
GRAU
ROT
VIOLETT
GELB/GRÜN
WEISS



1	SCHEDA CON BUZZER	ELECTRONIC CARD WITH BUZZER	CARTE ELECTRONIQUE AVEC BUZZER	ELECTRONISCHE KARTE MIT BUZZER
2	FUSIBILE 6,3 Amp. T	FUSE 6.3 Amp. T	FUSIBLE 6,3 Amp. T	SICHERUNG 6,3 Amp. T
3	MOTORE	ENGINE	MOTEUR	MOTOR
3a	Generatore	Generator	Genérateur	Generator
3b	Motorino avviamento	Starter	Demarreur	Anlasser
3c	Stop motore	Engine stop	Calage du moteur	Motor abstellung
4	BATTERIA	BATTERY	BATTERIE	BATTERIE
5	RELE AVVIAMENTO	STARTER RELAY	RELAIS DE DEMARRAGE	ANLASSER RELAIS
6	INTERRUTTORE A CHIAVE	ELECTROLOCK	INTERRUPTEUR D'ALLUMAGE	SCHLÜSSELSCHALTER
9	MICROINTERRUTTORE LAME	BLADES MICRO SWITCH	MICRO INTERRUPTEUR LAMES	MESSER MIKROSCHALTER
11	MICROINTERRUTTORE SEDILE	SEAT MICRO SWITCH	MICRO INTERRUPTEUR SIEGE	SITZMIKROSCHALTER
12	MICROINTERRUTTORE SACCO	GRASSCATCHER MICRO SWITCH	MICRO INTERRUPTEUR BAC	GRASFANGEINRICHTUNG MIKROSCHALTER
13	MICROINTERRUTTORE FOLLE	NEUTRAL MICROSWITCH	MICRO INT. POINT MORT	LEERLAUF MIKROSCHALTER
14	MICROINTERRUTTORE SACCO PIENO	FULL GRASSCATCHER MICRO SWITCH	MICRO BAC PLEIN	VOLLKORB VORRICHTUNG
15	INTERRUTTORE FARI	HEADLIGHT SWITCH	INTERRUPTEUR PHARES	LICHTSCHALTER
16	FARI	HEADLIGHT	PHARES	LICHT
17	SPIA	WARNING LIGHT	VOYANT	KONTROLLAMPE
18	MICROINTERRUTTORE FRENO	BRAKE MICRO SWITCH	MICRO INTERRUPTEUR FREIN	BREMSE MIKROSCHALTER

COLORI CAVI

BK	NERO
BL	BLU
BR	MARRONE
GY	GRIGIO
RE	ROSSO
VI	VIOLA
YG	GIALLO/VERDE
WH	BIANCO

CABLE COLOURS

BK	BLACK
BL	BLUE
BR	BROWN
GY	GREY
RE	RED
VI	VIOLET
YG	YELLOW/GREEN
WH	WHITE

COULEUR CABLES

BK	NOIR
BL	BLEU
BR	BUN
GY	GRIS
RE	ROUGE
VI	VIOLEY
YG	JAUNE/VERT
WH	BLANC

KABEL FARBEN

BK	SCHWARZ
BL	BLAU
BR	BRAUN
GY	GRAU
RE	ROT
VI	VIOLETT
YG	GELB/GRÜN
WH	WEISS