

# Parts Catalogue

for model  
**MCS 504 TR 4S**

- Use GLOBAL GARDEN PRODUCT Genuine Spare Parts specified in the parts list for repair and/or replacement.
- The contents described in the parts list may change due to improvement.
- The drawings of the spare parts are only indicative and might not represent the part in question exactly.
- The indications "right" - "left" - "front" - "rear" refer to the position of the operator when using the machine.
- When placing orders of parts for repair and/or replacement, make sure that the illustrated parts list is the one applying to the machine's year of manufacture, as shown on the identification plate attached to the machine.

© Copyright 2015 Global Garden Products

All content is subject to copyright by Global Garden Products and may not be reproduced in whole or in part by any means, electronic or otherwise, without prior written approval.

THIS INFORMATION IS NOT INTENDED FOR SALE OR RESALE, AND THIS NOTICE MUST REMAIN ON ALL COPIES.



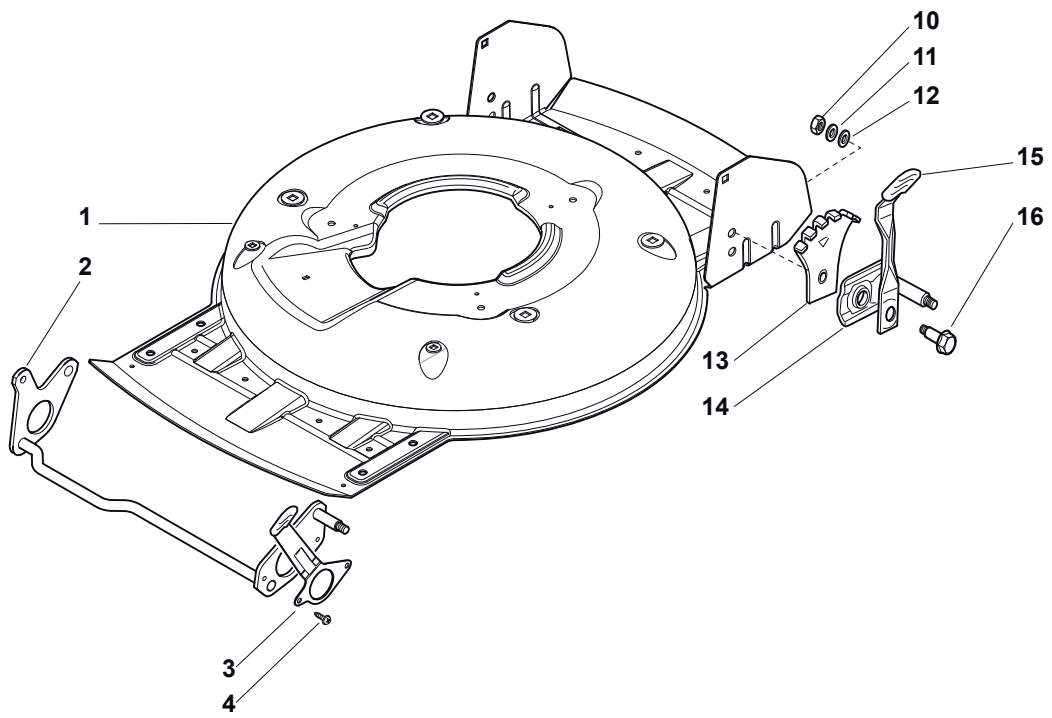


Fig.	Quantity	Part No	Description	Notes
3	1	322321546/0	Lever	
1	1	381004734/0	Grey Deck	
2	1	381302863/0	Axle, Front Wheels	
4	2	112735661/0	Screw	
10	2	112293200/0	Nut	
11	2	112583500/0	Grower	
12	2	112523070/0	Washer	
13	2	322735547/0	Sector, Height Adjustment	
14	2	381005175/0	Support, Wheel	
15	2	481003286/0	Lever, Height Adjustment	
16	2	122519811/0	Pin	

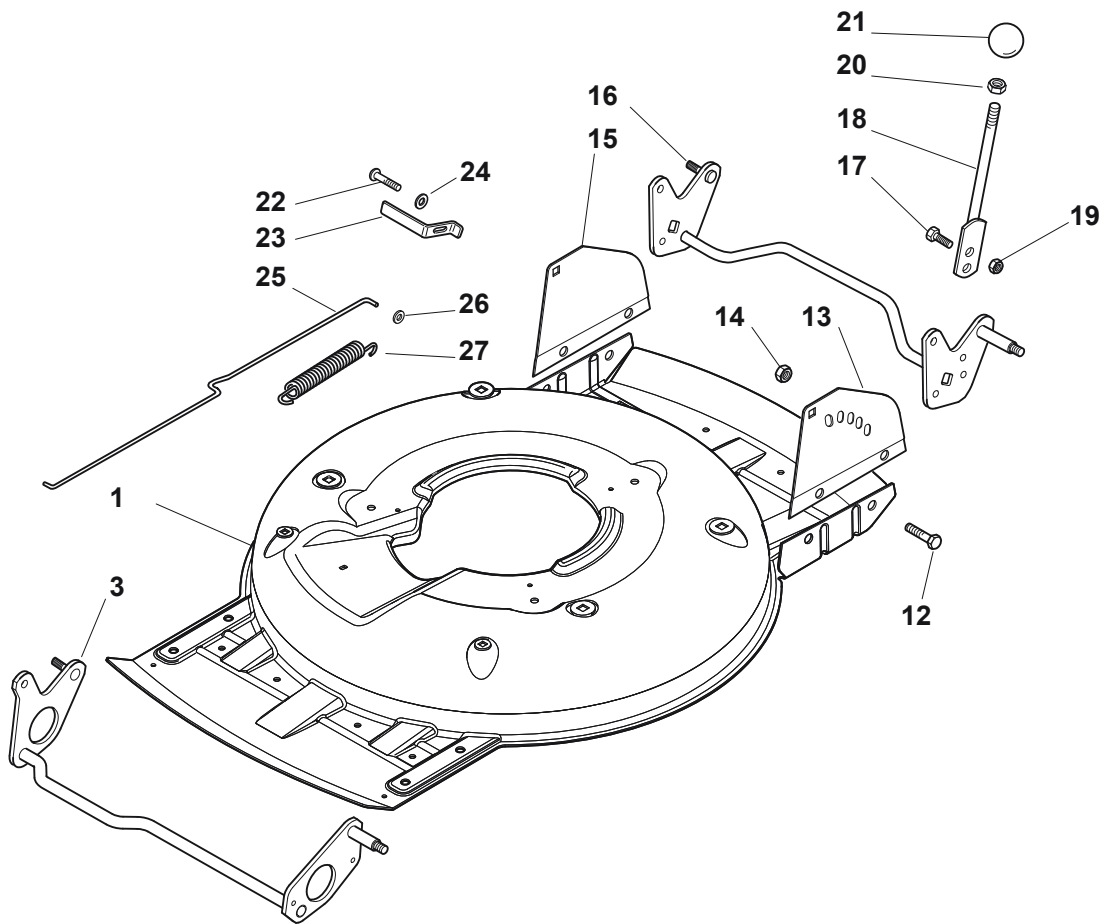
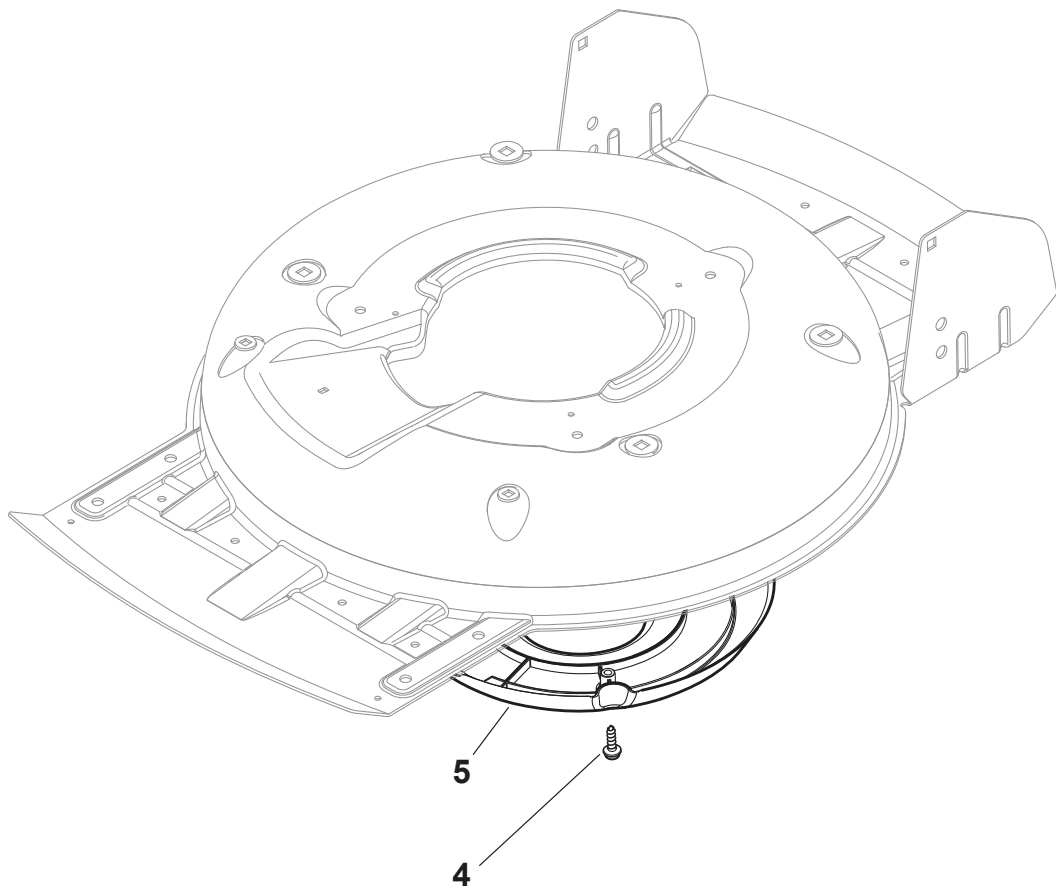


Fig.	Quantity	Part No	Description	Notes
1	1	322064691/0	INOX Deck	
1	1	381004735/0	Grey Deck	
3	1	381302863/0	Axle, Front Wheels	
12	4	112791011/0	Screw	
13	1	322545169/0	Rear Left Plate	Inox versions
13	1	381545105/0	Left Plate	Steel versions
14	4	112154510/0	Nut	
15	1	322545167/0	Rear Right Plate	Inox versions
15	1	381545104/0	Right Plate	Steel versions
16	1	381302861/1	Axle, Rear Wheels	
17	2	112789000/0	Screw	
18	1	381003323/0	Lever, Height Adjustment	
19	2	112154330/0	Nut	
20	1	112293200/0	Nut	
21	1	322399812/0	Knob	
22	2	112735661/0	Screw	
23	2	322551529/0	Wheels Cleaning Plate	
24	2	112521330/0	Washer	
25	1	122033329/0	Rod, Height Adjustment	
26	2	112604899/0	Crown Fastener	
27	1	122446184/0	Spring	



# MCS 504 TR 4S

WBH Petrol Steel Protection, Belt

Issue 7 - 2015

Fig.	Quantity	Part No	Description	Notes
4	3	112728530/0	Screw	
5	1	322060220/0	Belt Protection	

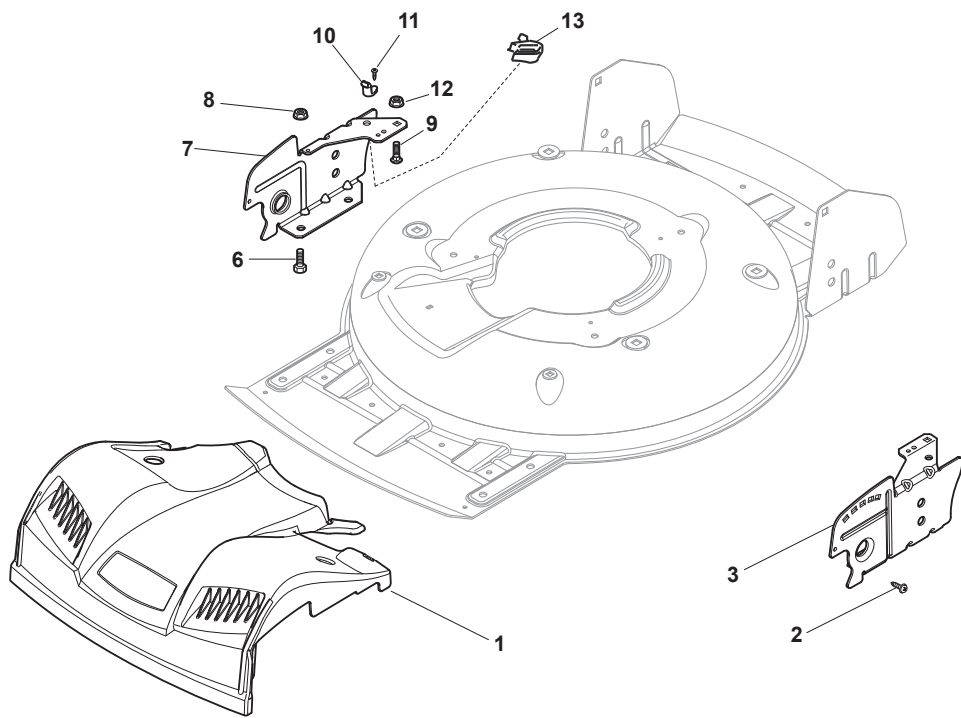




Fig.	Quantity	Part No	Description	Notes
1	1	322226097/1	Mask, Yellow	
1	1	322226098/1	Mask, Grey	
1	1	322226133/0	Mask, Black	
1	1	322226197/0	Mask, Grey Ncs S8000-N	
2	2	112728450/0	Screw	
3	1	322778421/0	Left Bracket	
6	4	112792611/0	Screw	
7	1	322778419/0	Right Bracket	
8	4	112293201/0	Nut	
9	2	112815200/0	Screw	
10	2	322020400/0	Fairlead	
11	2	112728523/0	Screw	
12	2	112292102/0	Nut	
13	1	133320506/0	Fairlead	

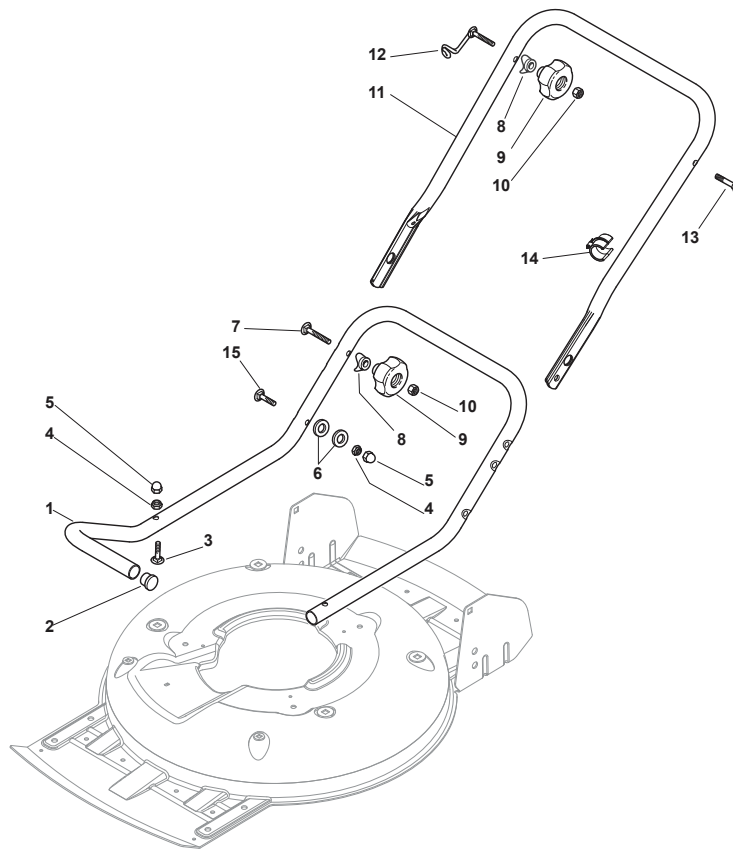


Fig.	Quantity	Part No	Description	Notes
11	1	381006668/1	Handle, Middle Part Black	Black
1	1	381006667/0	Handle Lower Part Black	Black
1	1	381006677/0	Handle Lower Part Yellow	Yellow
2	2	118566110/0	Push Rod	
3	4	112818900/0	Screw	
4	4	112155000/0	Nut	
5	4	118203854/0	Screw	
6	2	112819100/0	Screw	
7	2	112819201/0	Screw	
8	4	122671651/0	Washer	
9	4	322399804/1	Nut	
10	4	112293200/0	Nut	
11	1	381007542/0	Handle, Middle Part Yellow	Yellow
12	1	122430313/0	Guide Spring	
13	1	112819201/0	Screw	
14	1	118390020/0	Conduit Clip Caproeuope	
15	2	112521370/0	Washer	

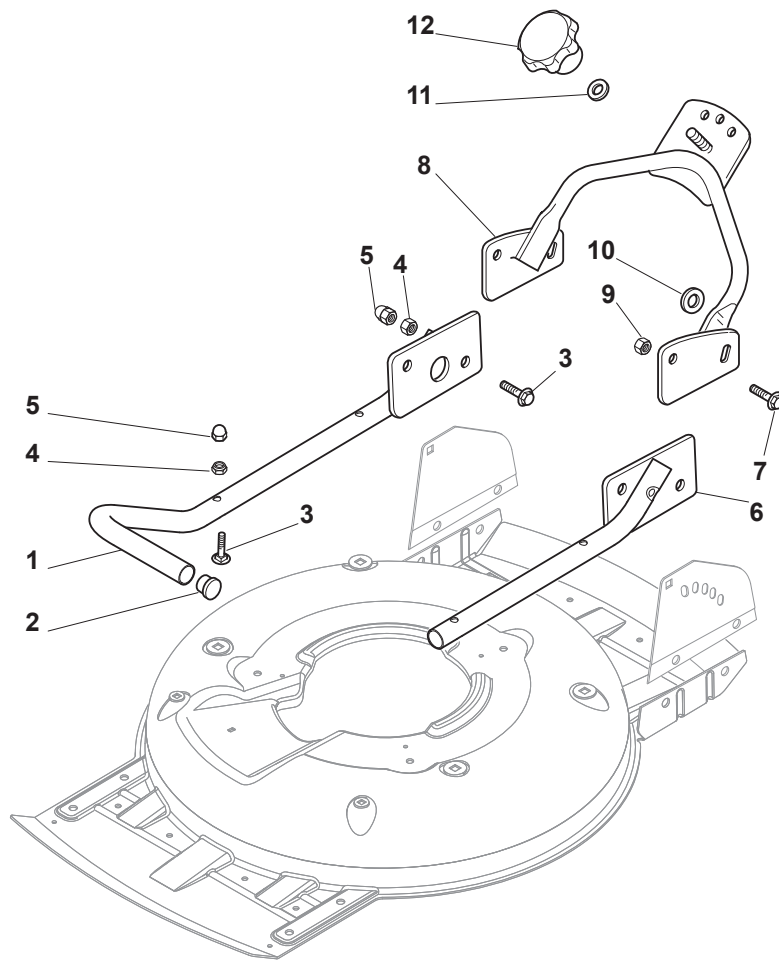


Fig.	Quantity	Part No	Description	Notes
1	1	381006373/0	Right Handle, Lower Part Yellow	Yellow
1	1	381006377/0	Right Handle, Lower Part, Black	Black
1	1	381006385/0	Right Handle, Lower Part Grey	Grey
2	4	118566114/0	Cap	
3	6	112819100/0	Screw	
4	6	112155000/0	Nut	
5	6	118203854/0	Screw	
6	1	381006375/0	Left Handle, Lower Part Yellow	Yellow
6	1	381006379/0	Left Handle Lower Part Black	Black
6	1	381006387/0	Left Handle, Lower Part Grey	Grey
7	4	112793102/0	Screw	
8	1	381006361/1	Handle, Middle Part Yellow	Yellow
8	1	381006365/1	Handle, Middle Part Black	Black
8	1	381006369/0	Handle, Middle Part Grey	Grey
9	4	112155000/0	Nut	
10	2	112523060/0	Washer	
11	1	112523080/0	Washer	
12	1	322399813/0	Knob	

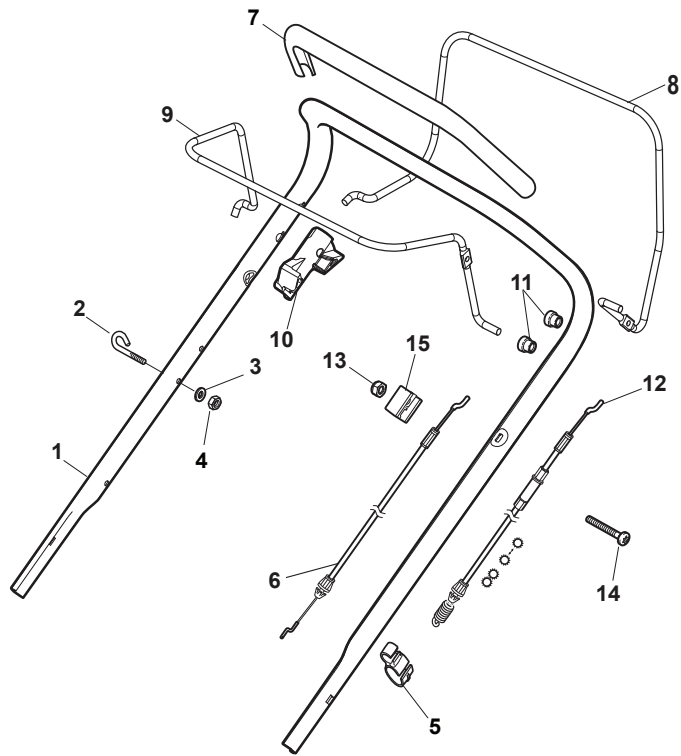


Fig.	Quantity	Part No	Description	Notes
12	1	381030096/1	Cable Rear Drive	
2	1	122430313/0	Guide Spring	
3	1	112521330/0	Washer	
4	1	112154510/0	Nut	
5	1	118390020/0	Conduit Clip Caproeurope	
6	1	181030053/0	Cable, Thread Engine Brake	SV40 / RV 40 / V35 Engine
6	1	181030056/0	Cable, Thread Engine Brake	Honda / B&S / GGP Engine
6	1	181030069/1	Cable, Thread Engine Brake	GGP RS-RSC-RSCT Engine / B&S E Series
7	1	122291050/0	Handgrip Black	
8	1	181003363/1	Lever, Engine Brake Black	
8	1	381003365/0	Lever, Engine Brake Yellow	
9	1	181003364/0	Drive Control Lever	
9	1	381003366/0	Lever, Driving Yellow	
10	1	322545204/0	Fulcrum Pin	
11	4	122041966/0	Bushing	
13	1	112727788/0	Screw	
14	1	112727783/0	Screw	
15	1	322551640/0	Plate	

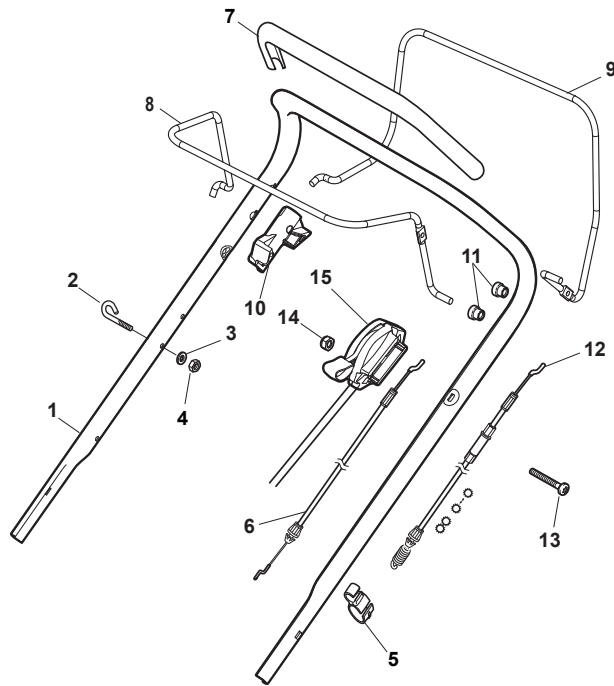




Fig.	Quantity	Part No	Description	Notes
12	1	381030096/1	Cable Rear Drive	
2	1	122430313/0	Guide Spring	
3	1	112521330/0	Washer	
4	1	112154510/0	Nut	
5	1	118390020/0	Conduit Clip Caproeurope	
6	1	181030053/0	Cable, Thread Engine Brake	SV40 / RV 40 / V35 Engine
6	1	181030056/0	Cable, Thread Engine Brake	Honda / B&S / GGP Engine
6	1	181030069/1	Cable, Thread Engine Brake	GGP RS-RSC-RSCT Engine / B&S E Series
7	1	122291050/0	Handgrip Black	
8	1	181003300/1	Lever, Engine Brake Black	
8	1	381003374/0	Lever, Driving Yellow	
9	1	181003301/0	Drive Control Lever	
9	1	381003373/1	Lever, Engine Brake Yellow	
10	1	322545204/0	Fulcrum Pin	
11	4	122041966/0	Bushing	
13	1	112727783/0	Screw	
14	1	112154510/0	Nut	
15	1	181005504/1	Throttle Cable	SV40 / RV 40 / V35 Engine
15	1	181005511/0	Throttle Cable	B&S Engine
15	1	181005517/0	Throttle Cable	Honda / GGP Engine

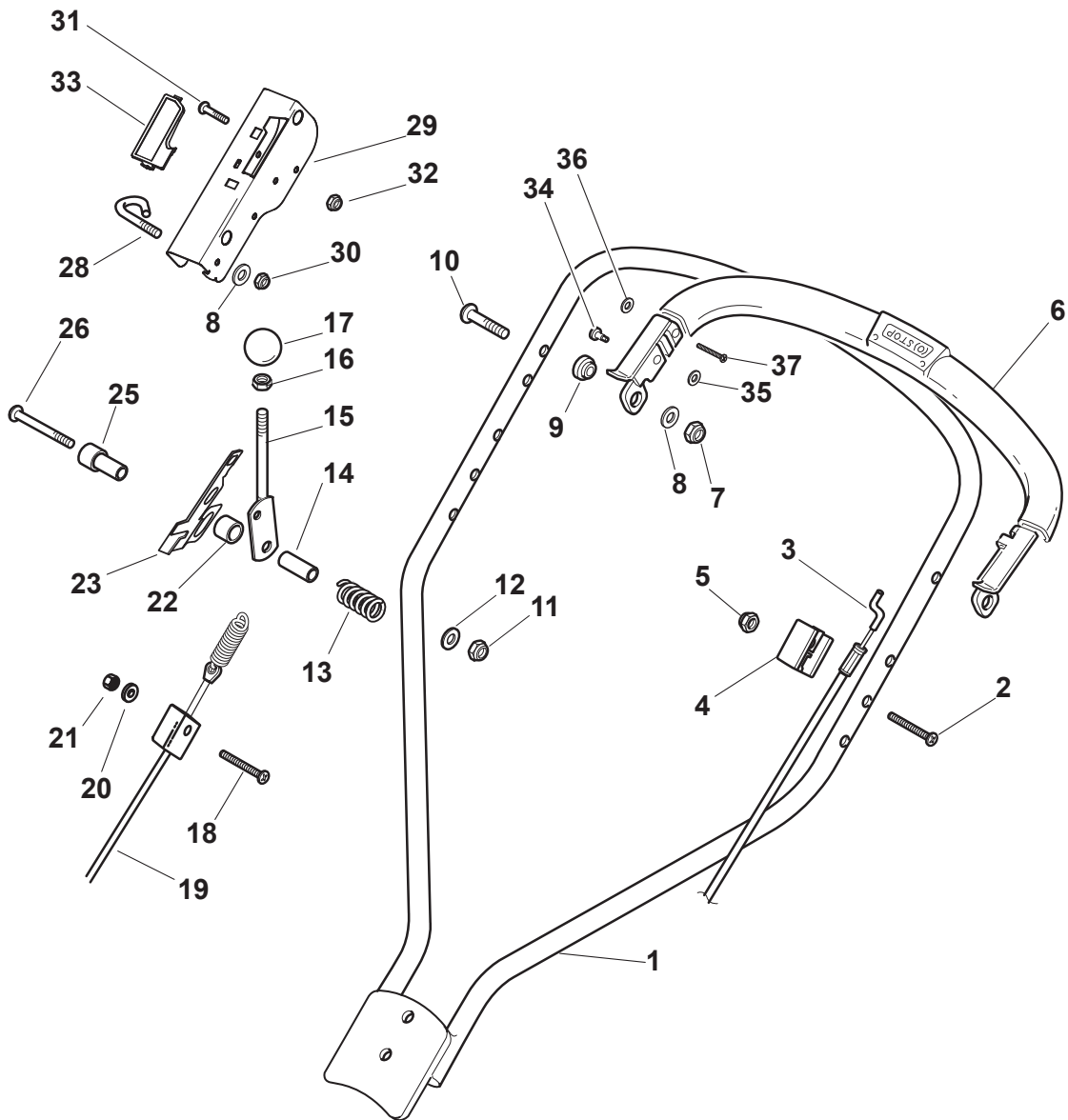


Fig.	Quantity	Part No	Description	Notes
1	1	381006363/3	Handle, Upper Part Yellow	Yellow
1	1	381006367/2	Handle, Upper Part Black	Black
1	1	381006371/0	Handle, Upper Part Grey	Grey
2	1	112727784/0	Screw	
3	1	181000618/0	Cable, Thread Engine Brake	B&S 625/675/750/775 Series
3	1	181000769/1	Cable, Thread Engine Brake	B&S 450/500 Series
3	1	181000618/0	Cable, Thread Engine Brake	GGP Engine
3	1	181000730/0	Cable, Thread Engine Brake	SV40 / RV 40 / V35 Engine
3	1	181000733/0	Cable, Thread Engine Brake	Honda Engine
3	1	181000769/1	Cable, Thread Engine Brake	Honda Engine 4 Speed/AVS
4	1	322551639/0	Fixed Plate	
5	1	112154510/0	Nut	
6	1	381003318/1	Lever, Engine Brake	
7	2	112154510/0	Nut	
8	4	112521330/0	Washer	
9	2	122671660/1	Washer	
10	2	112727784/0	Screw	
11	1	112154510/0	Nut	
12	1	112521330/0	Washer	
13	1	122450446/0	Spring	
14	1	122170840/0	Spacer	
15	1	381003313/0	Driving Lever	
16	1	112293200/0	Nut	
17	1	322399812/0	Knob	
18	1	112727791/0	Screw	
19	1	381030095/0	Cable Rear Drive	
20	1	112521330/0	Washer	
21	1	112154510/0	Nut	
22	1	122170843/0	Spacer	
23	1	322551653/0	Plate	
25	1	122170842/0	Spacer	
26	1	112727786/0	Screw	
28	1	122430314/0	Starting Rope Guide Spring	
29	1	381004405/0	Dashboard	
30	1	112154510/0	Nut	
31	1	112727792/0	Screw	
32	1	112154510/0	Nut	
33	1	322500050/0	Shoe	
34	1	122524342/0	Pin	
35	1	112604897/0	Elastic Washer	
36	2	112154330/0	Nut	
37	2	112727796/0	Screw	

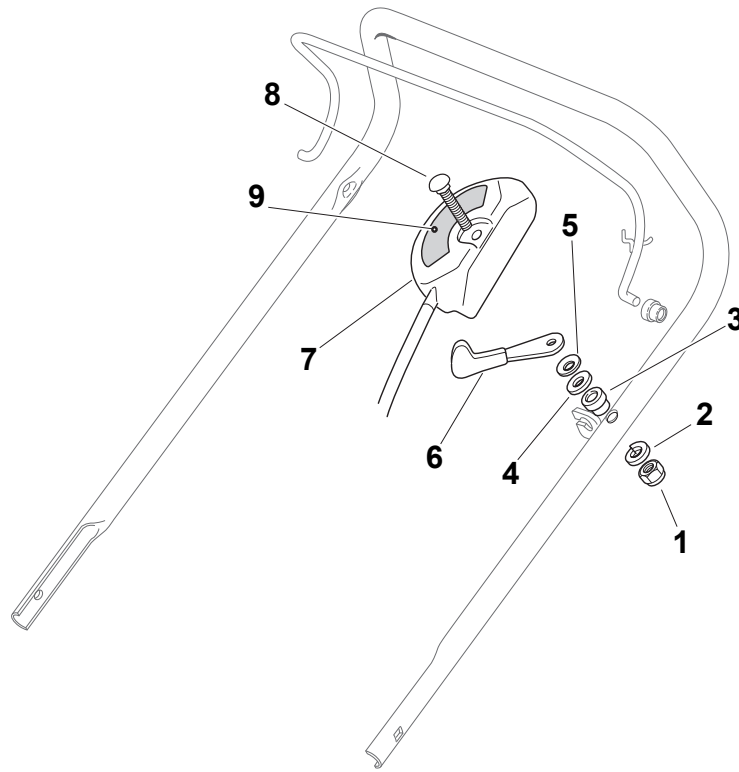


Fig.	Quantity	Part No	Description	Notes
1	1	112291000/0	Nut	
2	1	112581500/0	Grower	
3	1	122171005/0	Spacer	
4	1	112521360/0	Washer	
5	1	112508100/0	Cup Spring	
6	1	381007220/0	Throttle Lever	SV40-RV40-V35 Engine / B&S 450-500 Series
6	1	381007279/1	Throttle Lever	GGP/Honda/Tecumseh/B&S 625-675-675Es-700-750 Series
7	1	481007080/0	Throttle Cable	
8	1	112815000/0	Screw	
9	1	114356702/0	Throttle Label	for GGP Engines
9	1	114356905/0	Label	for B&S 700-750 Series
9	1	114356702/0	Throttle Label	for HONDA Engines
9	1	114356703/0	Throttle Label	for B&S Engines
9	1	114356905/0	Label	for HONDA A.C. Engines
9	1	114364264/0	Throttle Label	for GGP AVS Engines

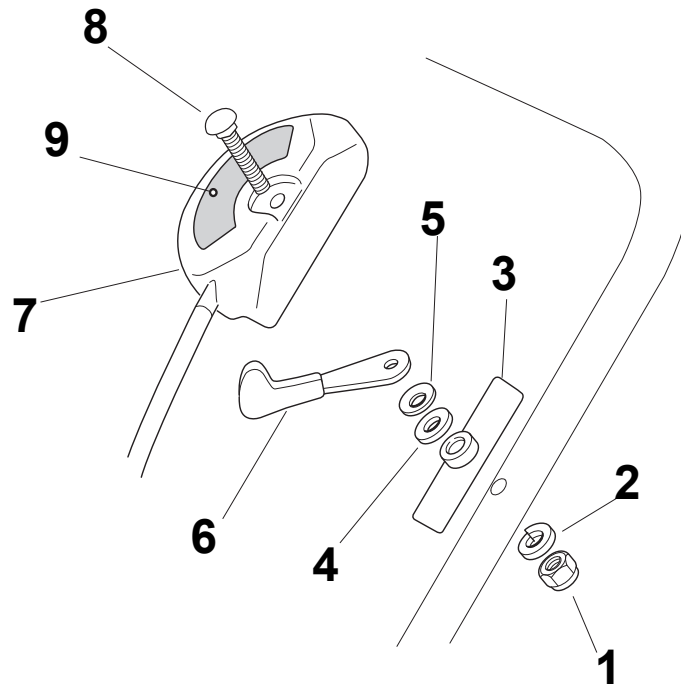


Fig.	Quantity	Part No	Description	Notes
1	1	112291000/0	Nut	
2	1	112581500/0	Grower	
3	1	322171006/0	Spacer	
4	1	112521360/0	Washer	
5	1	112508100/0	Cup Spring	
6	1	381007220/0	Throttle Lever	for SV40-RV40-V35 Engine/B&S 450-500 Series
6	1	381007279/1	Throttle Lever	for B&S-GGP-HONDA Engines
7	1	481007080/0	Throttle Cable	
8	1	112815030/0	Screw	
9	1	114356702/0	Throttle Label	for GGP Engines
9	1	114356905/0	Label	for GGP Engines with AVS
9	1	114356702/0	Throttle Label	for HONDA Autochoke Engines
9	1	114356703/0	Throttle Label	for B&S Engines
9	1	114356905/0	Label	for B&S 700-750 Series
9	1	114364264/0	Throttle Label	for HONDA Engines

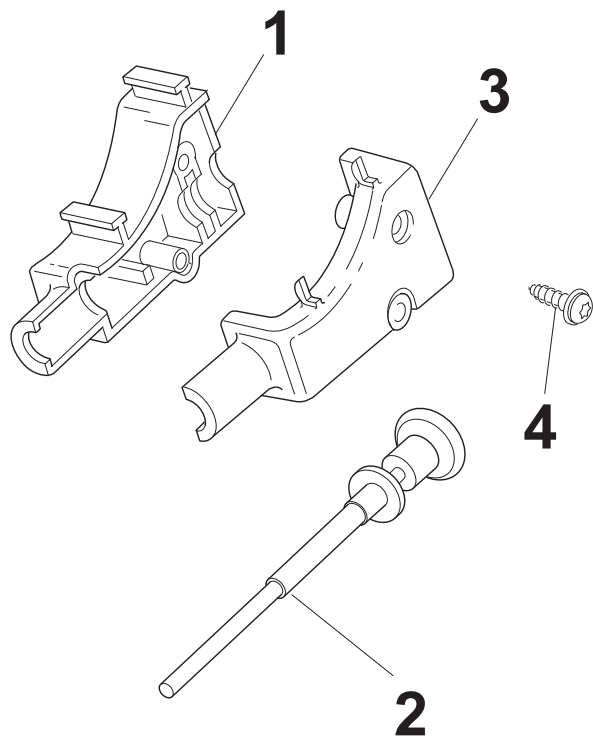




Fig.	Quantity	Part No	Description	Notes
1	1	322722804/1	Starting Block Inner Half-Bearing	
2	1	381000742/1	Starter Drive Control	SV40 / RV 40 / V35 Engine
2	1	381030022/0	Starter Drive Control	for GGP Engines
2	1	381030024/0	Starter Drive Control	for HONDA Engines
3	1	322722805/1	Starting Block Inner Half-Bearing	
4	1	112728300/0	Screw	

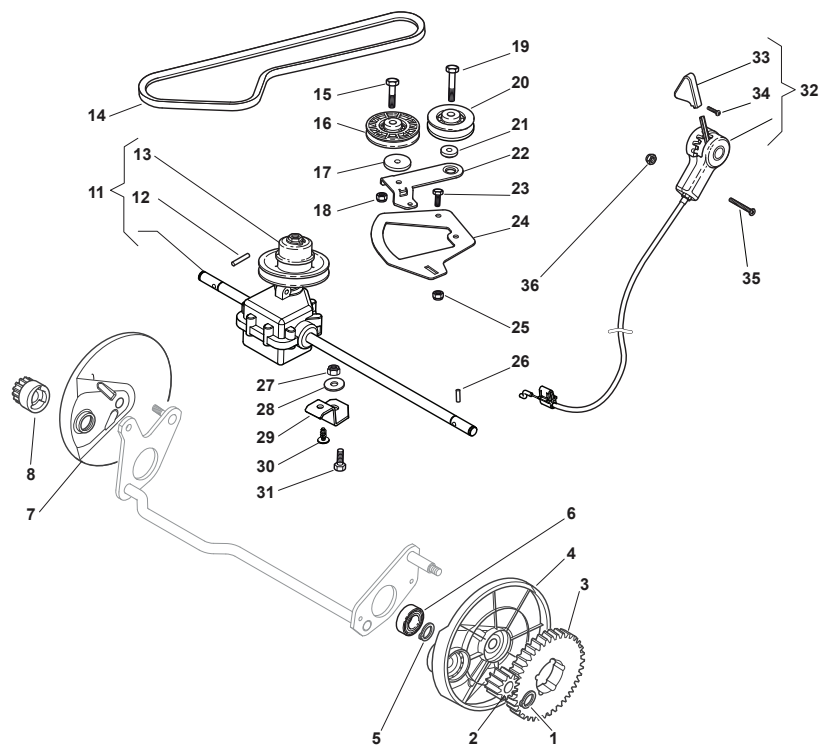
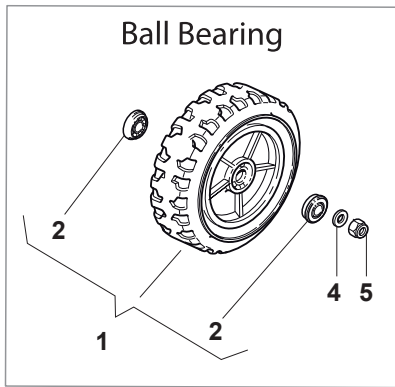


Fig.	Quantity	Part No	Description	Notes
1	2	112608600/0	Seeger	
2	1	122570120/1	Pinion Left	
3	2	122120105/1	Ring Gear	
4	1	322600267/0	Protection, Wheel	
5	2	112608600/0	Seeger	
6	2	119216035/0	Bearing	
7	1	322600267/0	Protection, Wheel	
8	1	122570110/1	Pinion Right	
11	1	181003098/2	Gear Box	
12	1	112645700/0	Elastic Pin	
13	1	122601932/0	Pulley	
14	1	135064010/0	Belt	
15	1	112689500/0	Screw	
16	1	122601914/0	Pulley	
17	1	322680009/0	Washer	
18	1	112154510/0	Nut	
19	1	112674701/0	Screw	
20	1	122601915/0	Pulley	
21	1	122671656/0	Washer	
22	1	322320007/0	Lever	
23	1	112791011/0	Screw	
24	1	322806629/0	Pulley Lever Support	
25	2	112154510/0	Nut	
26	2	122753000/0	Pin	
27	1	112155000/0	Nut	
28	1	112523060/0	Washer	
29	1	322551655/0	Plate	
30	1	112728704/0	Screw	
31	1	112793102/0	Screw	
32	1	381007112/0	Speed Control Ass.Y	
33	1	322399820/0	Knob	
34	1	112728300/0	Screw	
35	2	112727787/0	Screw	
36	2	112154510/0	Nut	

Eco Stiga Wheels - Ø 210



Spark Aluminium Wheels - Ø 210

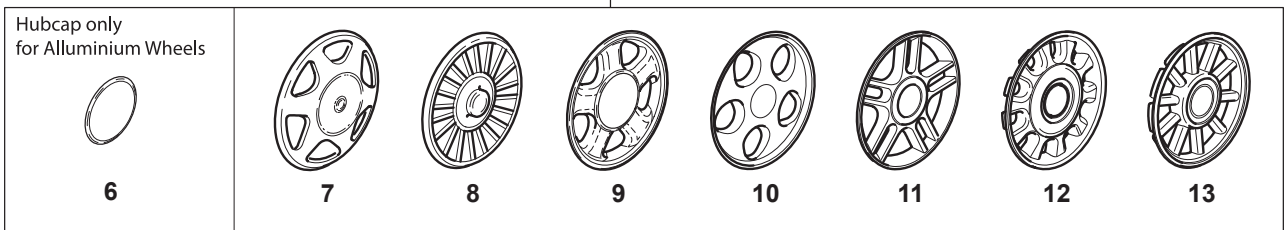
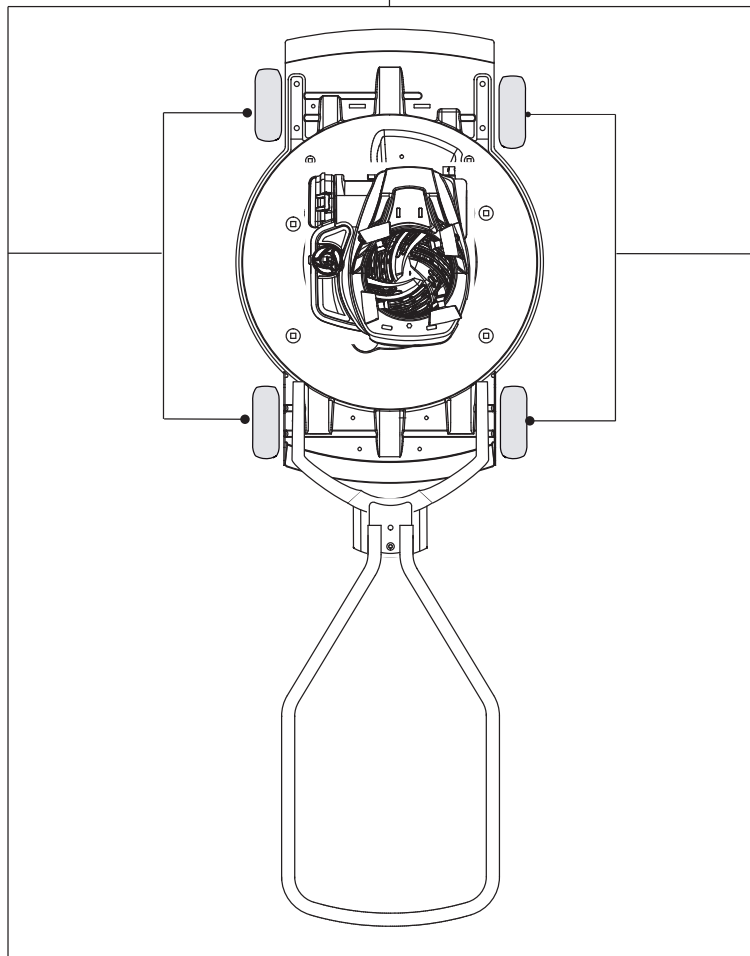
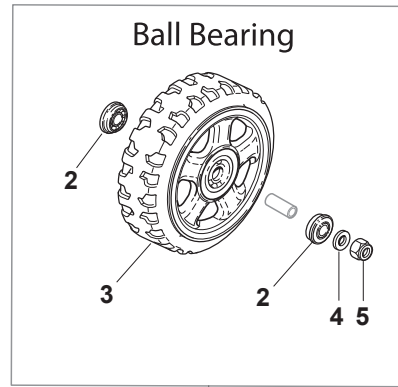


Fig.	Quantity	Part No	Description	Notes
1	4	381007490/0	Wheel	
2	8	119216035/0	Bearing	
3	4	381007487/0	Wheel	
4	8	112521350/0	Washer	
5	8	112155000/0	Nut	
6	4	322110653/0	Hub Cap	
7	4	322110314/0	Hub Cap Grey	
8	4	322110348/0	Hub Cap Grey	
9	4	322110382/0	Hub Cap Grey	
10	4	322110416/0	Hub Cap Grey	
12	4	322110494/0	Hub Cap Grey	
13	4	322110496/0	Hub Cap Grey	

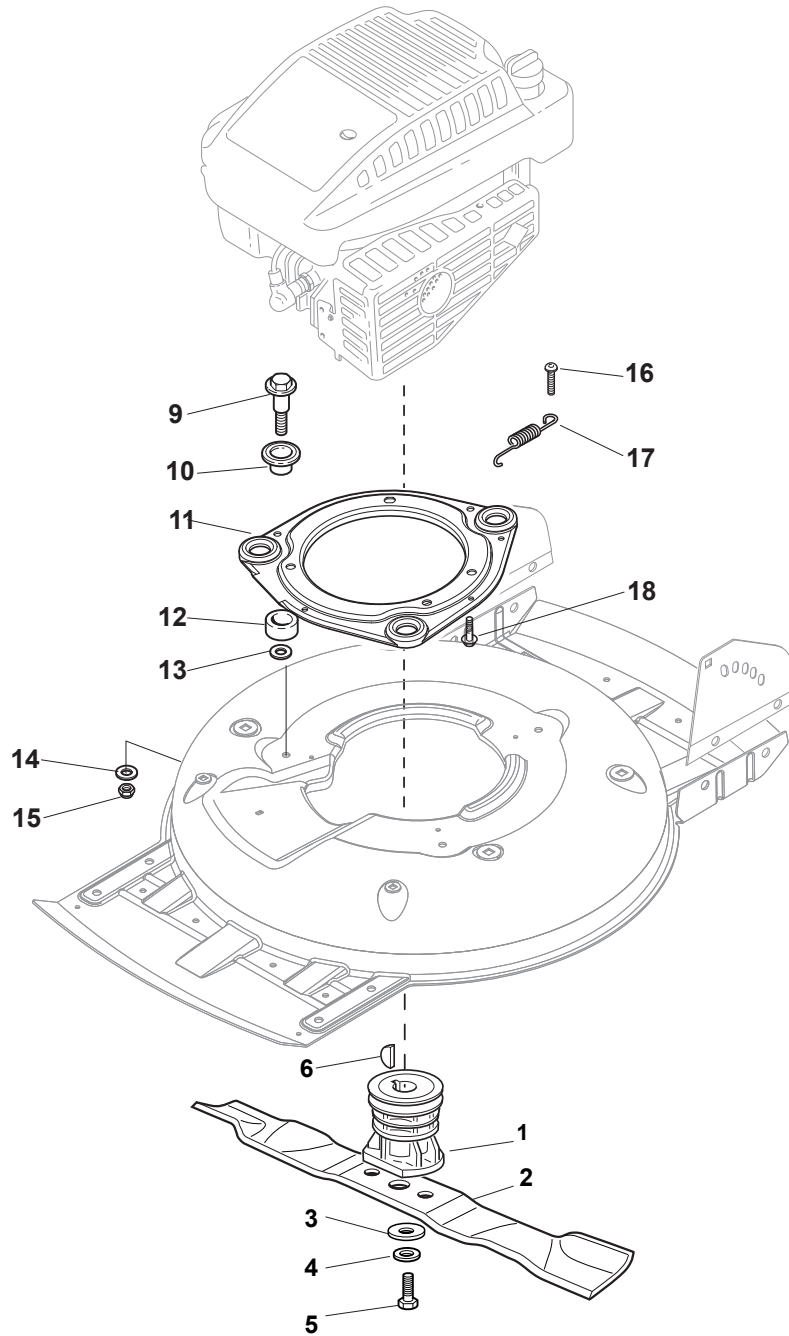


Fig.	Quantity	Part No	Description	Notes
1	1	122465607/3	Hub With Pulley, Crankshaft Ø 22.2	
1	1	122465608/2	Hub With Pulley, Crankshaft Ø 25	
2	1	181004146/0	Blade Standard	
3	1	122160400/0	Elastic Disc	
4	1	112523080/0	Washer	
5	1	112735698/0	Screw	
6	1	112139100/0	Feather, Crankshaft Ø 22,2	
6	1	112139150/0	Feather, Crankshaft Ø 25	
9	3	122524329/0	Pin	
10	3	322672201/0	Washer	
11	1	322207221/1	Black Flange	4Speed Models
11	1	381207225/1	Flange, Yellow	4Speed Models
12	3	322250012/0	No Vibrations Rubber	
13	3	122671651/0	Washer	
14	3	122671651/0	Washer	
15	3	112155000/0	Nut	
16	1	112791400/0	Screw	
17	1	122450449/0	Spring	4Speed Models
18	3	112735108/1	Screw	

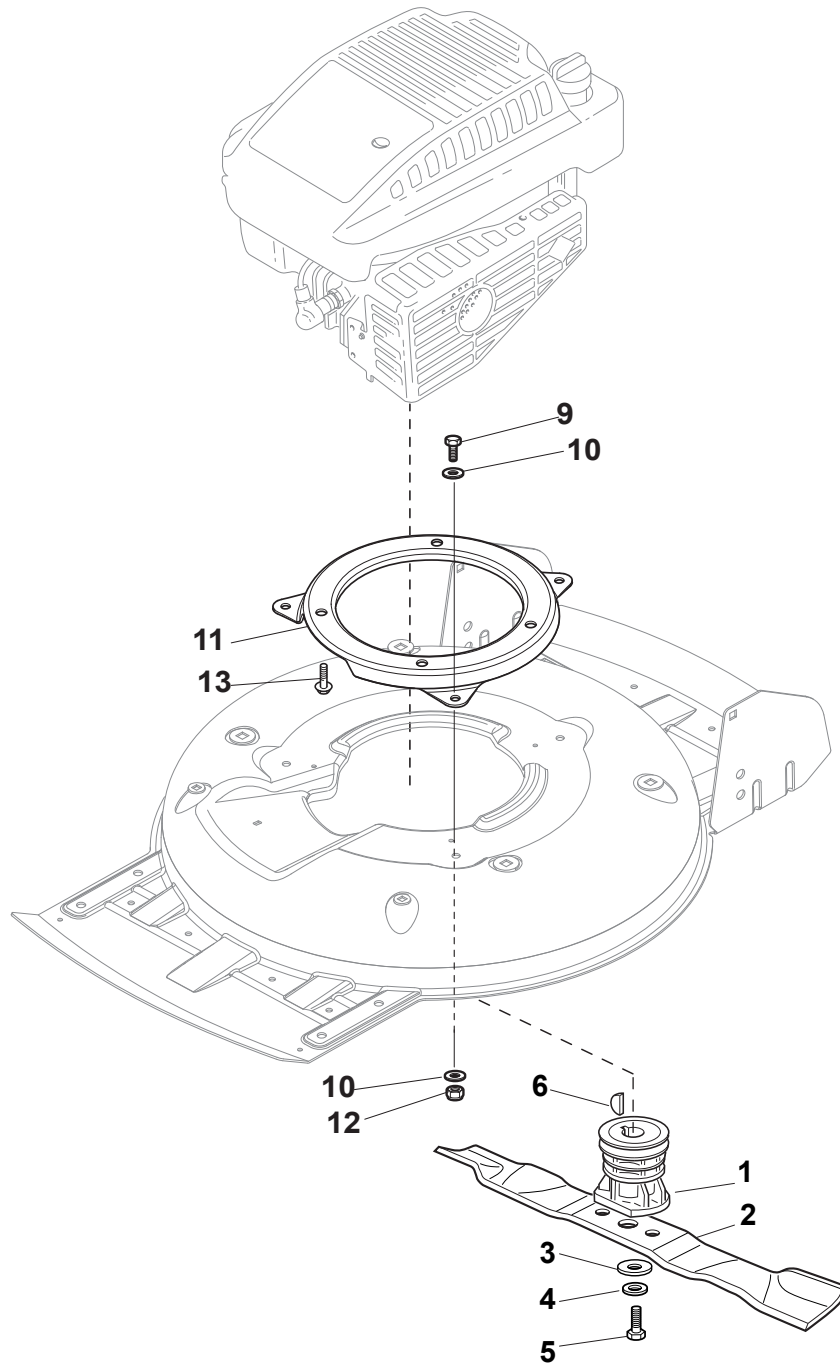




Fig.	Quantity	Part No	Description	Notes
1	1	122465607/3	Hub With Pulley, Crankshaft Ø 22.2	
1	1	122465608/2	Hub With Pulley, Crankshaft Ø 25	
2	1	181004146/0	Blade Standard	
3	1	122160400/0	Elastic Disc	
4	1	112523080/0	Washer	
5	1	112735698/0	Screw	
6	1	112139100/0	Feather, Crankshaft Ø 22,2	
6	1	112139150/0	Feather, Crankshaft Ø 25	
9	3	112793102/0	Screw	
10	6	112523060/0	Washer	
11	1	322207219/1	Flange	
12	3	112155000/0	Nut	

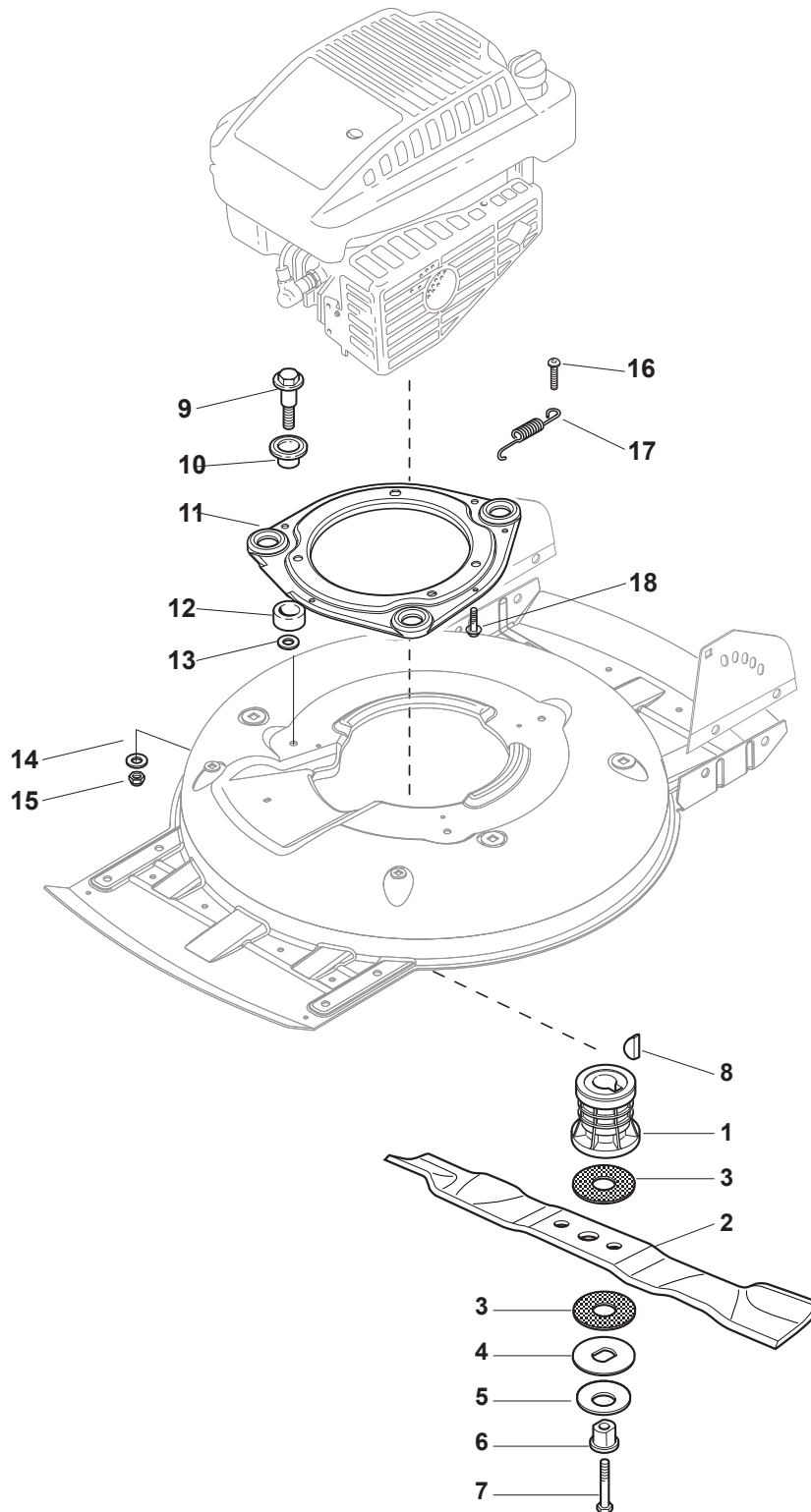


Fig.	Quantity	Part No	Description	Notes
1	1	122465611/0	Hub With Pulley Ø 22.2	
1	1	122465612/1	Hub With Pulley, Crankshaft Ø 25	
2	1	181004146/0	Blade Standard	
3	2	322672110/1	Washer	
4	1	322672105/0	Washer	
5	1	112508120/0	Cup Spring	
6	1	122041940/0	Bushing	
7	1	112736850/0	Screw	
8	1	112139100/0	Feather, Crankshaft Ø 22,2	
8	1	112139150/0	Feather, Crankshaft Ø 25	
9	3	122524329/0	Pin	
10	3	322672201/0	Washer	
11	1	322207221/1	Black Flange	4Speed Models
11	1	381207225/1	Flange, Yellow	4Speed Models
12	3	322250012/0	No Vibrations Rubber	
13	3	122671651/0	Washer	
14	3	112521350/0	Washer	
15	3	112155000/0	Nut	
16	1	112791400/0	Screw	
17	1	122450449/0	Spring	4Speed Models
18	3	112735108/1	Screw	



322060220/0	5	1	p. 7	381006371/0	1	1	p. 19
322064691/0	1	1	p. 5	381006373/0	1	1	p. 13
322110314/0	7	4	p. 29	381006375/0	6	1	p. 13
322110348/0	8	4	p. 29	381006377/0	1	1	p. 13
322110382/0	9	4	p. 29	381006379/0	6	1	p. 13
322110416/0	10	4	p. 29	381006385/0	1	1	p. 13
322110494/0	12	4	p. 29	381006387/0	6	1	p. 13
322110496/0	13	4	p. 29	381006667/0	1	1	p. 11
322110653/0	6	4	p. 29	381006668/1	11	1	p. 11
322171006/0	3	1	p. 23	381006677/0	1	1	p. 11
322207219/1	11	1	p. 33	381007112/0	32	1	p. 27
322207221/1	11	1	p. 31	381007220/0	6	1	p. 21
322207221/1	11	1	p. 35	381007220/0	6	1	p. 23
322226097/1	1	1	p. 9	381007279/1	6	1	p. 21
322226098/1	1	1	p. 9	381007279/1	6	1	p. 23
322226133/0	1	1	p. 9	381007487/0	3	4	p. 29
322226197/0	1	1	p. 9	381007490/0	1	4	p. 29
322250012/0	12	3	p. 31	381007542/0	11	1	p. 11
322250012/0	12	3	p. 35	381030022/0	2	1	p. 25
322320007/0	22	1	p. 27	381030024/0	2	1	p. 25
322321546/0	3	1	p. 3	381030095/0	19	1	p. 19
322399804/1	9	4	p. 11	381030096/1	12	1	p. 15
322399812/0	17	1	p. 19	381030096/1	12	1	p. 17
322399812/0	21	1	p. 5	381207225/1	11	1	p. 31
322399813/0	12	1	p. 13	381207225/1	11	1	p. 35
322399820/0	33	1	p. 27	381302861/1	16	1	p. 5
322500050/0	33	1	p. 19	381302863/0	2	1	p. 3
322545167/0	15	1	p. 5	381302863/0	3	1	p. 5
322545169/0	13	1	p. 5	381545104/0	15	1	p. 5
322545204/0	10	1	p. 15	381545105/0	13	1	p. 5
322545204/0	10	1	p. 17	481003286/0	15	2	p. 3
322551529/0	23	2	p. 5	481007080/0	7	1	p. 21
322551639/0	4	1	p. 19	481007080/0	7	1	p. 23
322551640/0	15	1	p. 15				
322551653/0	23	1	p. 19				
322551655/0	29	1	p. 27				
322600267/0	4	1	p. 27				
322600267/0	7	1	p. 27				
322672105/0	4	1	p. 35				
322672110/1	3	2	p. 35				
322672201/0	10	3	p. 31				
322672201/0	10	3	p. 35				
322680009/0	17	1	p. 27				
322722804/1	1	1	p. 25				
322722805/1	3	1	p. 25				
322735547/0	13	2	p. 3				
322778419/0	7	1	p. 9				
322778421/0	3	1	p. 9				
322806629/0	24	1	p. 27				
381000742/1	2	1	p. 25				
381003313/0	15	1	p. 19				
381003318/1	6	1	p. 19				
381003323/0	18	1	p. 5				
381003365/0	8	1	p. 15				
381003366/0	9	1	p. 15				
381003373/1	9	1	p. 17				
381003374/0	8	1	p. 17				
381004405/0	29	1	p. 19				
381004734/0	1	1	p. 3				
381004735/0	1	1	p. 5				
381005175/0	14	2	p. 3				
381006361/1	8	1	p. 13				
381006363/3	1	1	p. 19				
381006365/1	8	1	p. 13				
381006367/2	1	1	p. 19				
381006369/0	8	1	p. 13				