

Parts Catalogue

for model
MCS 474

- Use GLOBAL GARDEN PRODUCT Genuine Spare Parts specified in the parts list for repair and/or replacement.
- The contents described in the parts list may change due to improvement.
- The drawings of the spare parts are only indicative and might not represent the part in question exactly.
- The indications "right" - "left" - "front" - "rear" refer to the position of the operator when using the machine.
- When placing orders of parts for repair and/or replacement, make sure that the illustrated parts list is the one applying to the machine's year of manufacture, as shown on the identification plate attached to the machine.

© Copyright 2015 Global Garden Products

All content is subject to copyright by Global Garden Products and may not be reproduced in whole or in part by any means, electronic or otherwise, without prior written approval.

THIS INFORMATION IS NOT INTENDED FOR SALE OR RESALE, AND THIS NOTICE MUST REMAIN ON ALL COPIES.



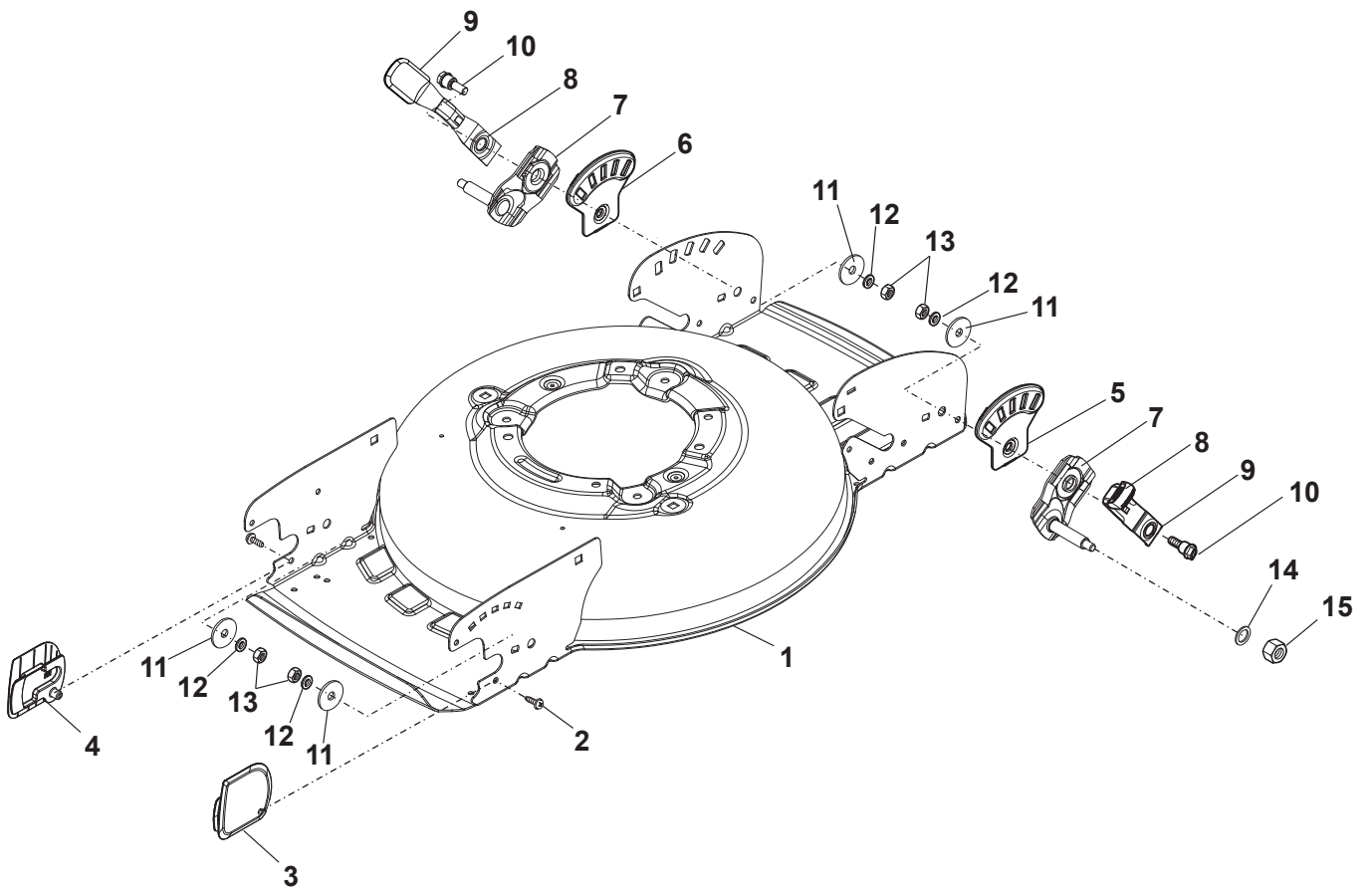


Fig.	Q.ty	Part No	Description	Notes
1	1	381004781/0	Grey Deck	
1	1	381004784/0	Black Deck	
2	2	112728697/0	Screw	
4	1	322109911/0	Right Side Cover	Grey NCS 8000-N
3	1	322109912/0	Left Side Cover	Grey NCS 8000-N
4	1	322109913/0	Right Side Cover	Standard Grey
3	1	322109914/0	Left Side Cover	Standard Grey
5	2	322735597/1	Sector, Height Adjustment	
6	2	322735595/1	Sector, Height Adjustment	
7	4	381005143/0	Wheel Support	
8	4	322321537/0	Lever, Height Adjustment	
9	4	122394501/0	Knob	
10	4	122519811/0	Pin	
11	4	112523070/0	Washer	
12	4	112583500/0	Grower	
13	4	112293200/0	Nut	
14	4	112521350/0	Washer	
15	4	112155000/0	Nut	
16	2	322608569/0	Reinforcement	
17	2	112815200/0	Screw	
18	2	112582100/0	Grower	
19	2	112292100/0	Nut	
20	2	118203853/0	Screw	
21	2	118203854/0	Screw	

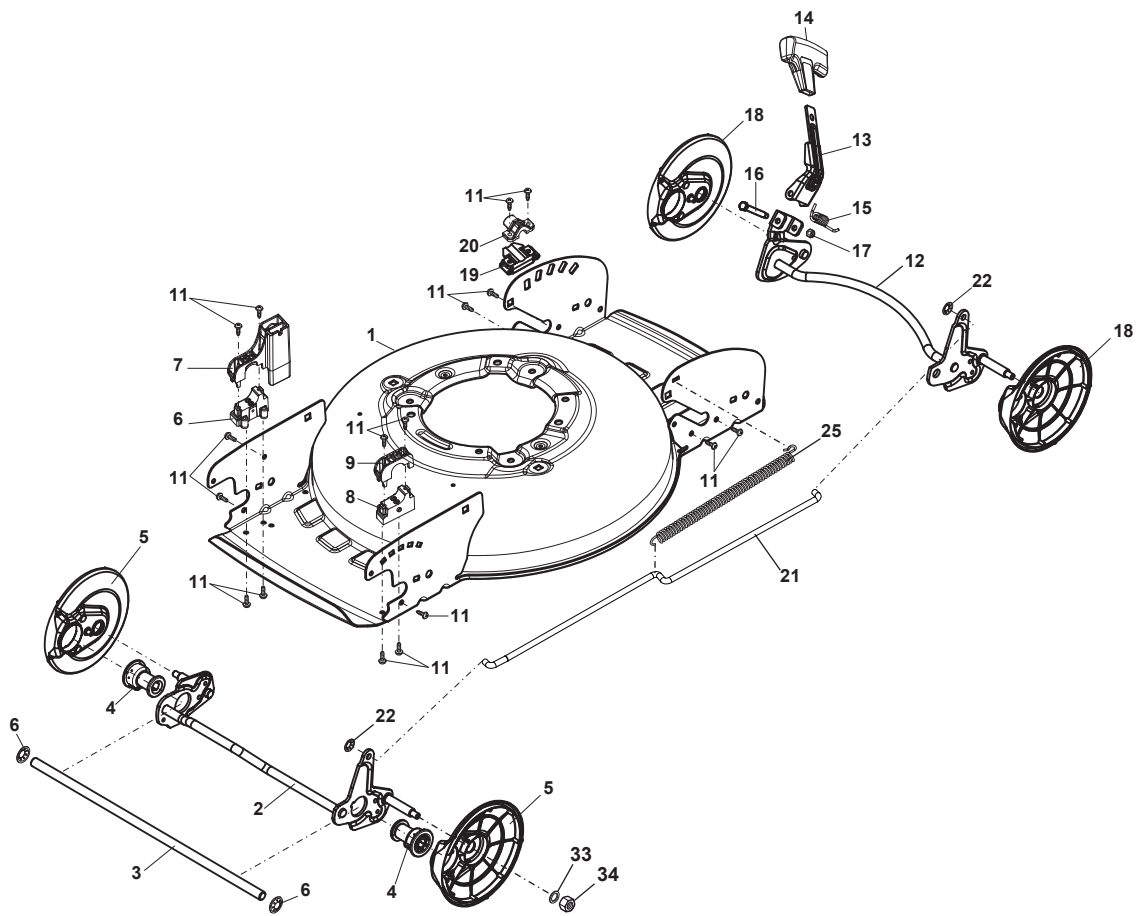
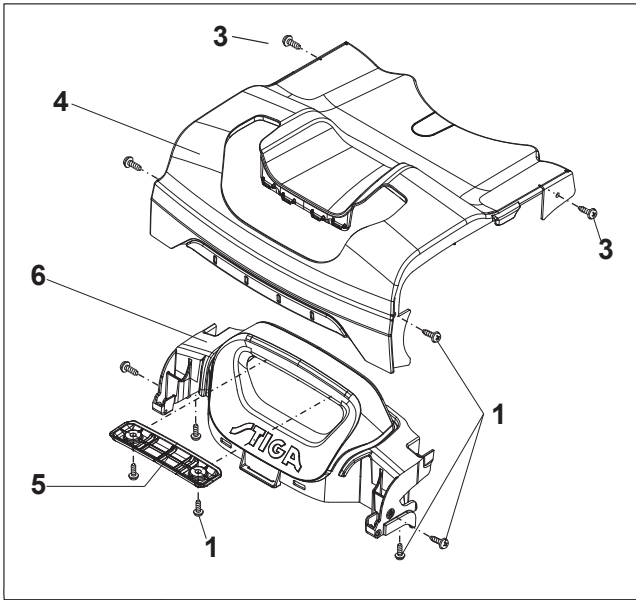


Fig.	Q.ty	Part No	Description	Notes
1	1	381004781/0	Grey Deck	
1	1	381004784/0	Black Deck	
2	1	381302877/0	Front Wheel Axle	
3	1	322033397/0	Front Wheel Axle	
4	1	322042066/0	Bushing	
5	2	322600204/0	Internal Wheel Protection	
6	2	122020050/0	Ring	
7	1	322785476/0	Support	
8	1	322785477/0	Support	
9	1	322785478/0	Support	
10	1	322785479/0	Support	
11	19	112728697/0	Screw	
12	1	381302879/0	Rear Wheel Axle	
13	1	322322857/0	Lever, Height Adjustment	
15	1	122446192/0	Spring	
16	1	122534131/0	Pin	
17	1	112154510/0	Nut	
18	2	322600204/0	Internal Wheel Protection	
19	2	322785474/0	Support	
20	2	322785475/0	Sector, Height Adjustment	
21	1	122033332/0	Adjustment Rod	
22	2	112604899/0	Crown Fastener	
23	1	122446184/0	Spring	
33	4	112521350/0	Washer	
34	4	112155000/0	Nut	

ALTERNATIVE - FRONTAL With HANDLE VERSION



ALTERNATIVE - FRONTAL VERSION

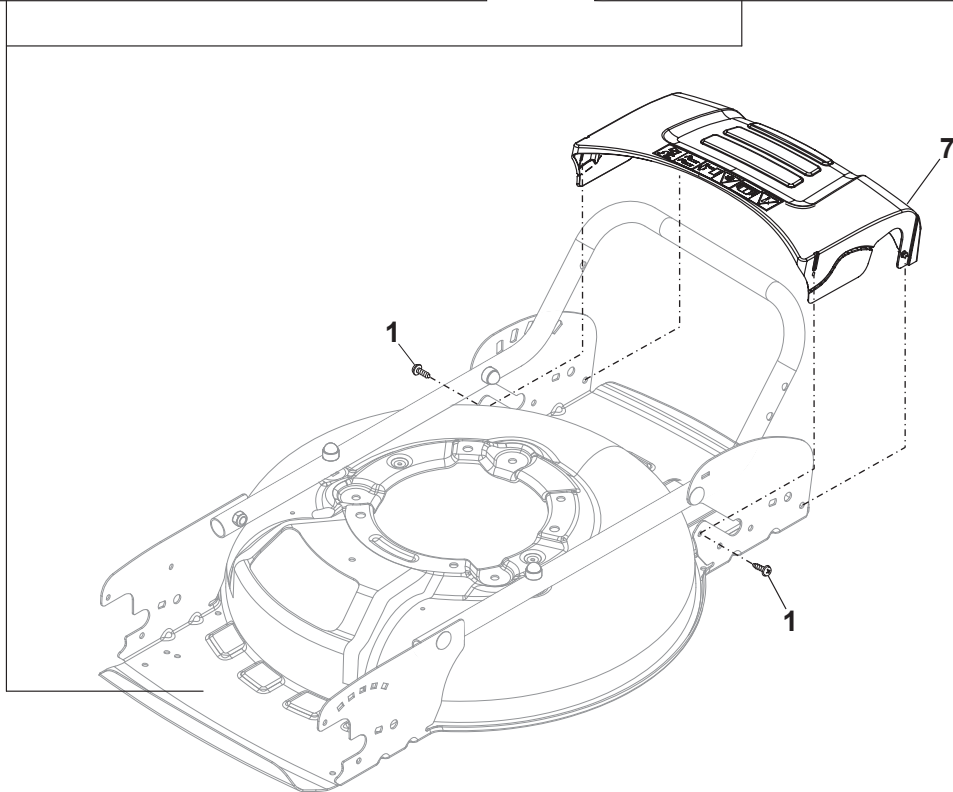
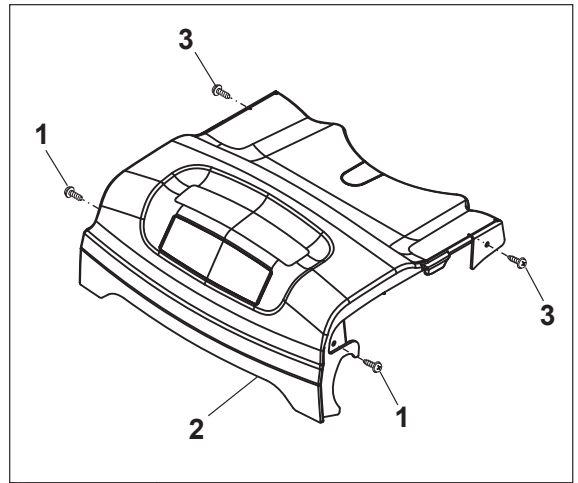


Fig.	Q.ty	Part No	Description	Notes
1	12	112728697/0	Screw	
2	1	322226218/0	Mask, Grey	
2	1	322226219/0	Mask, STIGA Grey	
3	4	112728124/0	Screw	
4	1	381390126/0	Frontal Assy	
5	1	322393659/0	Handle, Lower Part	
6	1	322393739/0	Frontal	
7	1	322055258/0	Rear Cover	

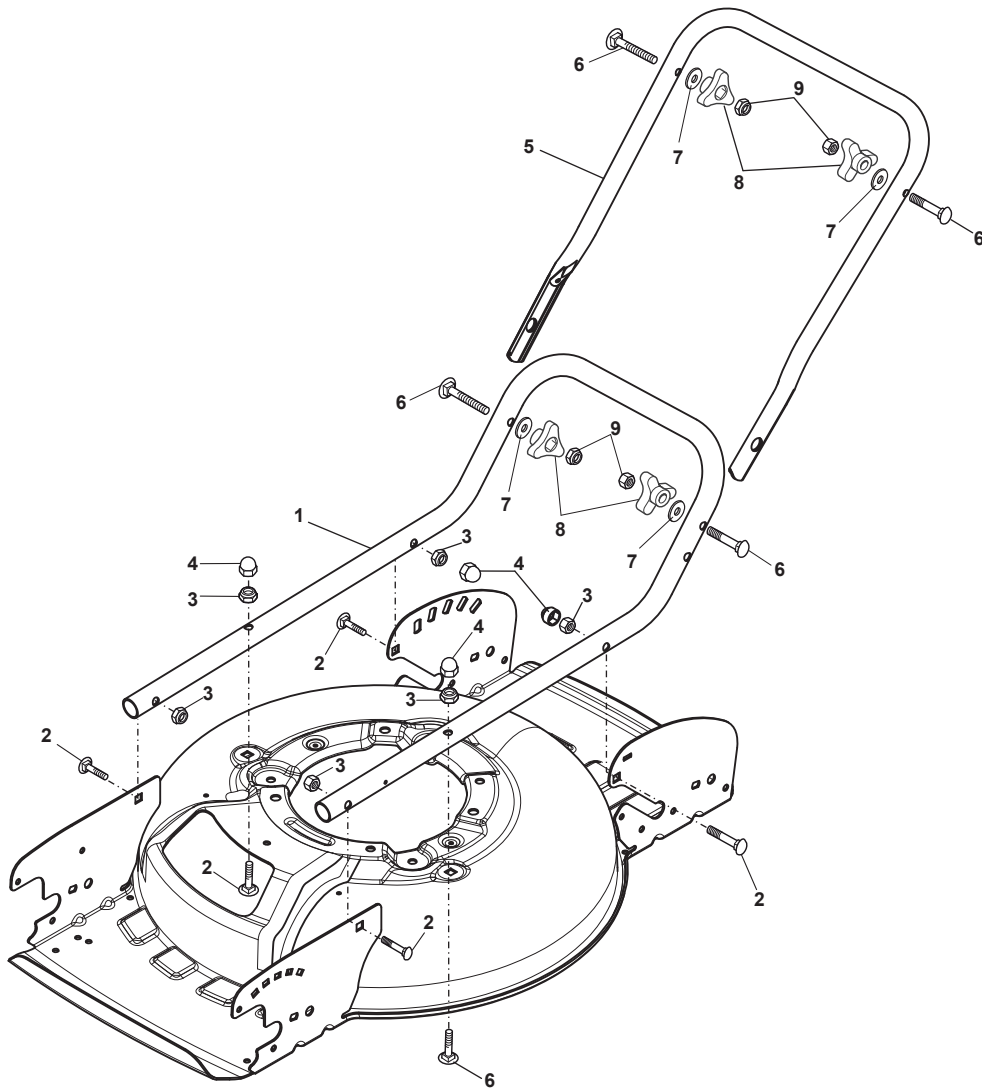


Fig.	Q.ty	Part No	Description	Notes
1	1	381007556/0	Handle, Lower Part Yellow	
1	1	381007560/0	Handle, Lower Part Black	
2	6	112818900/0	Screw	
3	6	112155000/0	Nut	
4	4	118203854/0	Screw	
5	1	381007542/1	Handle, Middle Part Yellow	
5	1	381006668/1	Handle, Middle Part Black	
6	4	112819121/0	Screw	
7	4	122671651/0	Washer	
8	4	122399900/0	Knob	Yellow
8	4	322399840/0	Yellow Knob	Black
9	4	112293200/0	Nut	

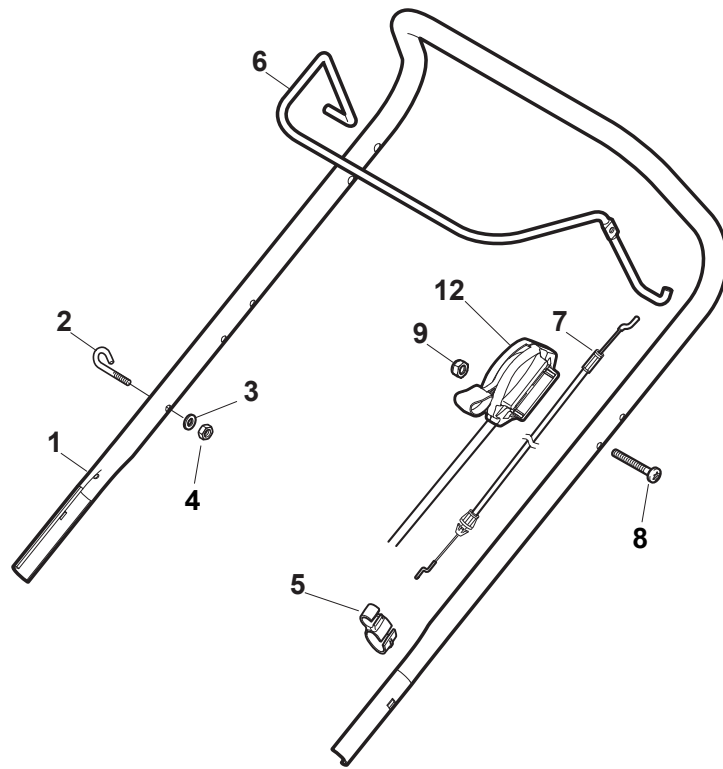


Fig.	Q.ty	Part No	Description	Notes
1	1	381006739/1	Handle, Upper Part	Black
1	1	381006745/1	Handle, Upper Part with sponge handgrip	Black
1	1	381006754/0	Handle, Upper Part Yellow	Yellow
2	1	122430313/0	Guide Spring	
3	1	112521330/0	Washer	
4	1	112154510/0	Nut	
5	1	118390020/0	Conduit Clip	
6	1	181003363/1	Lever, Engine Brake Black	Black
6	1	381003365/0	Lever, Engine Brake Yellow	Yellow
6	1	381003376/0	Lever, Engine Brake Red	Red
7	1	181030054/0	Cable, Thread Engine Brake	for GGP 140 OHV Engine
7	1	181030056/0	Cable, Thread Engine Brake	for GGP Engine
7	1	181030069/1	Cable, Thread Engine Brake	for Honda Engine
7	1	181030079/0	Cable, Thread Engine Brake	for B&S E Engine
8	1	112727783/0	Screw	
9	1	112154510/0	Nut	
12	1	181005517/0	Throttle Cable	

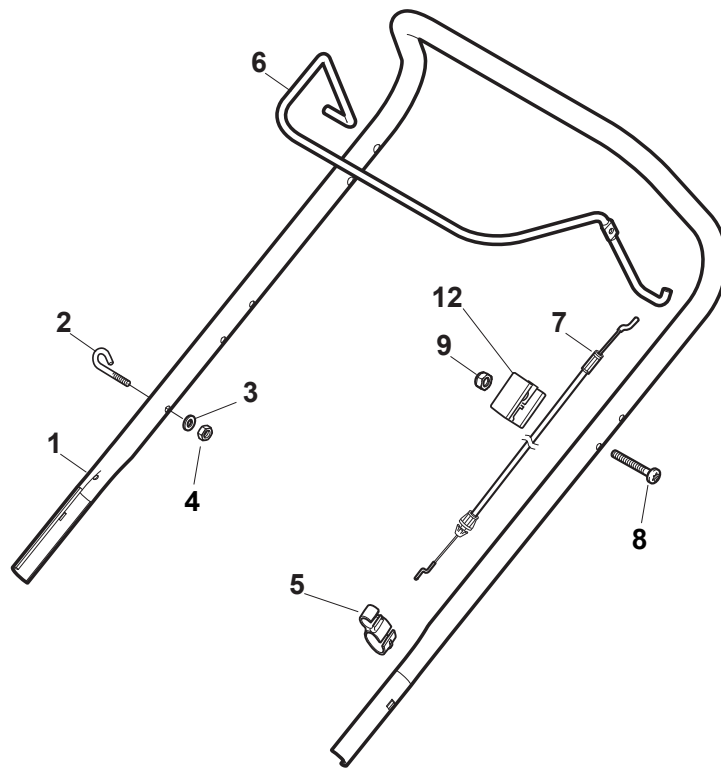


Fig.	Q.ty	Part No	Description	Notes
1	1	381006739/1	Handle, Upper Part	Black
1	1	381006745/1	Handle, Upper Part with sponge handgrip	Black
1	1	381006754/0	Handle, Upper Part Yellow	Yellow
2	1	122430313/0	Guide Spring	
3	1	112521330/0	Washer	
4	1	112154510/0	Nut	
5	1	118390020/0	Conduit Clip	
6	1	181003363/1	Lever, Engine Brake Black	Black
6	1	381003365/0	Lever, Engine Brake Yellow	Yellow
6	1	381003376/0	Lever, Engine Brake Red	Red
7	1	181030054/0	Cable, Thread Engine Brake	for GGP 140 OHV Engine
7	1	181030056/0	Cable, Thread Engine Brake	for GGP Engine
7	1	181030069/1	Cable, Thread Engine Brake	for Honda Engine
7	1	181030079/0	Cable, Thread Engine Brake	for B&S E Engine
8	1	112727783/0	Screw	
9	1	112154510/0	Nut	
12	1	322551640/0	Plate	

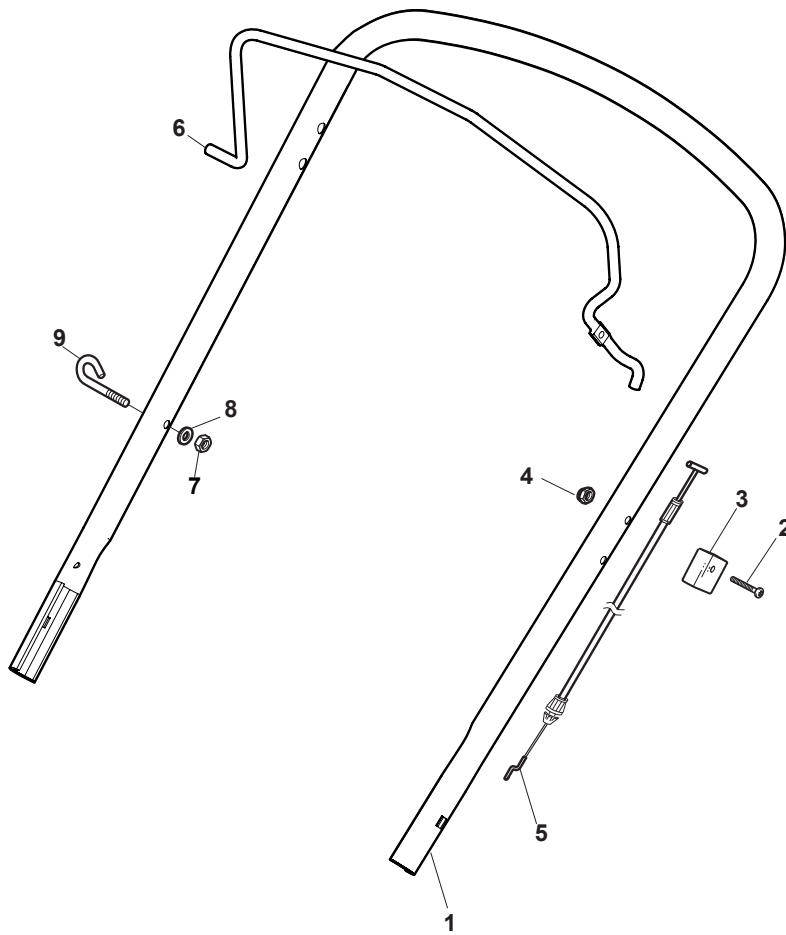


Fig.	Q.ty	Part No	Description	Notes
1	1	381007555/0	Handle, Upper Part	Yellow
1	1	381006740/0	Handle, Upper Part	Black
2	1	112727788/0	Screw	
3	1	322551640/0	Plate	
4	1	112154510/0	Nut	
5	1	181030056/0	Cable, Thread Engine Brake	for GGP 140 OHV Engine
5	1	181030084/0	Cable, Thread Engine Brake	for B&S-GGP-Honda Engine
6	1	181003369/0	Lever, Engine Brake	
7	1	112154510/0	Nut	
8	1	112521330/0	Washer	
9	1	122430313/0	Guide Spring	

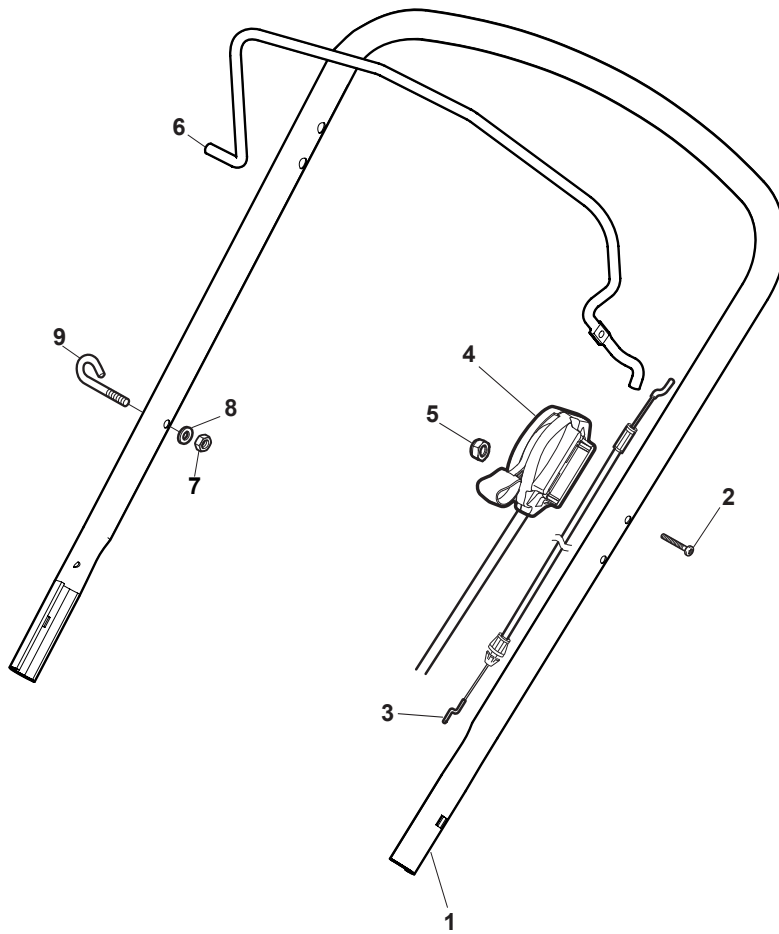
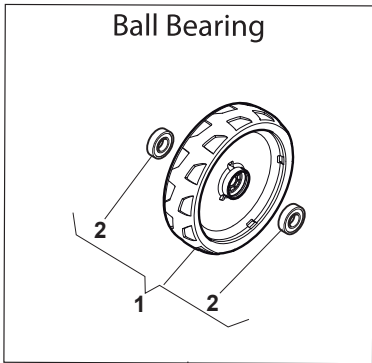


Fig.	Q.ty	Part No	Description	Notes
9	1	122430313/0	Guide Spring	
1	1	381006740/0	Handle, Upper Part	
2	1	112727783/0	Screw	
3	1	181030056/0	Cable, Thread Engine Brake	for GGP 140 OHV Engine
3	1	181030084/0	Cable, Thread Engine Brake	for B&S-GGP-Honda Engine
4	1	181005535/0	Throttle Cable	
5	1	112154510/0	Nut	
6	1	181003369/0	Lever, Engine Brake	
7	1	112154510/0	Nut	
8	1	112521330/0	Washer	

DELTA WHEELS



CRUISER WHEELS

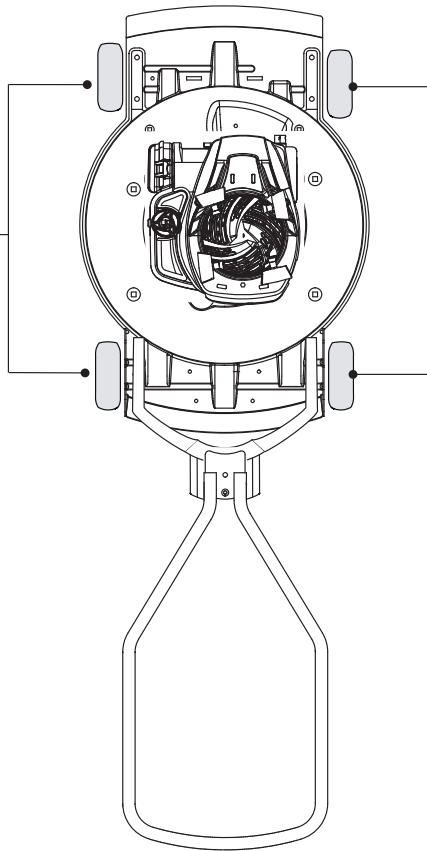
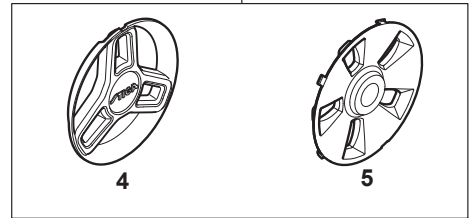
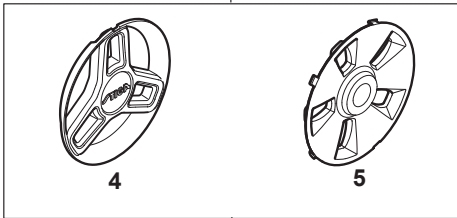
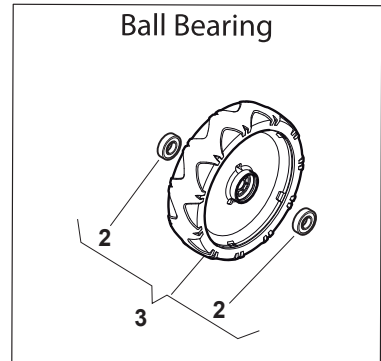
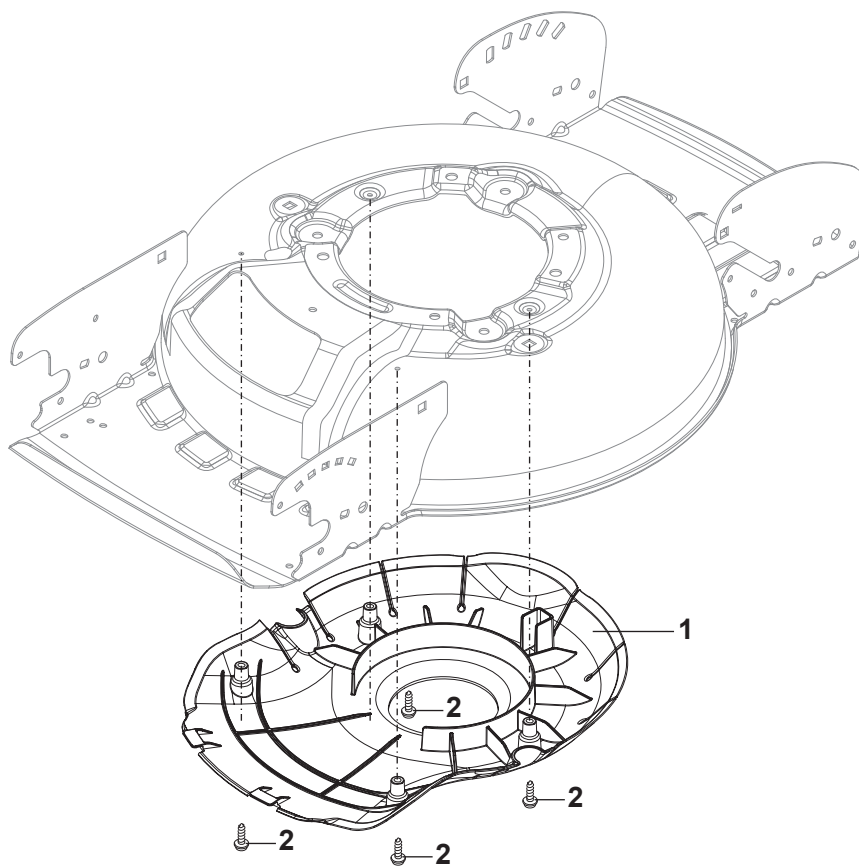


Fig.	Q.ty	Part No	Description	Notes
1	4	381007455/1	Wheel	
2	4	119216035/0	Bearing	
3	4	381007448/1	Wheel	
4	4	322110744/0	Hub Cap Grey	
5	4	322110636/0	Hub Cap Grey	



MCS 474

WBH Petrol Steel Protection, Belt

Issue 20 - 2015

Fig.	Q.ty	Part No	Description	Notes
1	1	322060269/0	Complete Mulching Carter	
2	4	112728530/0	Screw	

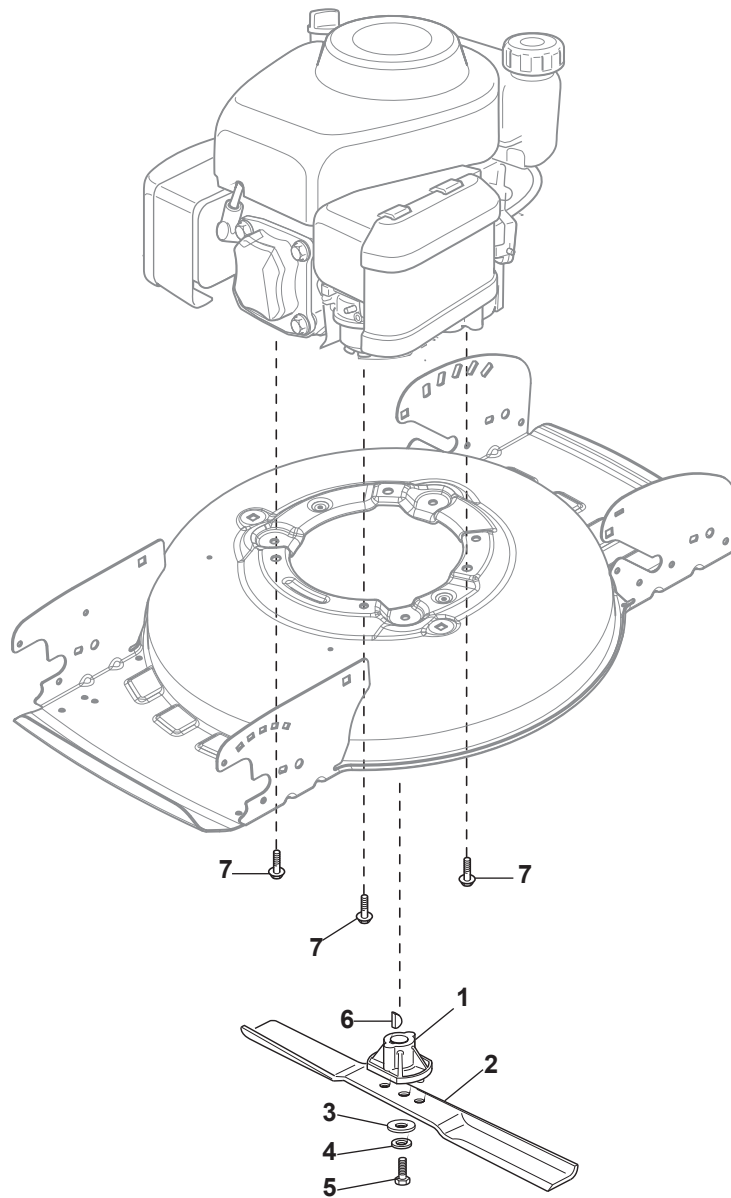


Fig.	Q.ty	Part No	Description	Notes
1	1	122463012/2	Hub, Crankshaft Ø 22.2	GGP/B&S Engine
1	1	122463020/1	Hub, Crankshaft Ø 25	Honda Engine
2	1	181004158/0	Mulching Blade	
3	1	112508125/0	Elastic Washer	
4	1	112523080/0	Washer	
5	1	112735698/0	Screw	
6	1	112139100/0	Feather, Crankshaft Ø 22	GGP/B&S Engine
6	1	112139150/0	Feather, Crankshaft Ø 25	Honda Engine
7	3	112735109/1	Screw	GGP 100cc
7	3	112735108/1	Screw	GGP / B&S /Honda Engine

code	pos.	q.ty	page									
112139100/0	6	1	p. 23	122671651/0	7	4	p. 9	381006754/0	1	1	p. 11	
112139150/0	6	1	p. 23	181003363/1	6	1	p. 11	381006754/0	1	1	p. 13	
112154510/0	4	1	p. 11	181003363/1	6	1	p. 13	381007448/1	3	4	p. 19	
112154510/0	4	1	p. 13	181003369/0	6	1	p. 15	381007455/1	1	4	p. 19	
112154510/0	4	1	p. 15	181003369/0	6	1	p. 17	381007542/1	5	1	p. 9	
112154510/0	5	1	p. 17	181004158/0	2	1	p. 23	381007555/0	1	1	p. 15	
112154510/0	7	1	p. 15	181005517/0	12	1	p. 11	381007556/0	1	1	p. 9	
112154510/0	7	1	p. 17	181005535/0	4	1	p. 17	381007560/0	1	1	p. 9	
112154510/0	9	1	p. 11	181030054/0	7	1	p. 11	381302877/0	2	1	p. 5	
112154510/0	9	1	p. 13	181030054/0	7	1	p. 13	381302879/0	12	1	p. 5	
112154510/0	17	1	p. 5	181030056/0	3	1	p. 17	381390126/0	4	1	p. 7	
112155000/0	3	6	p. 9	181030056/0	5	1	p. 15					
112155000/0	15	4	p. 3	181030056/0	7	1	p. 11					
112155000/0	34	4	p. 5	181030056/0	7	1	p. 13					
112292100/0	19	2	p. 3	181030069/1	7	1	p. 11					
112293200/0	9	4	p. 9	181030069/1	7	1	p. 13					
112293200/0	13	4	p. 3	181030079/0	7	1	p. 11					
112508125/0	3	1	p. 23	181030079/0	7	1	p. 13					
112521330/0	3	1	p. 11	181030084/0	3	1	p. 17					
112521330/0	3	1	p. 13	181030084/0	5	1	p. 15					
112521330/0	8	1	p. 15	322033397/0	3	1	p. 5					
112521330/0	8	1	p. 17	322042066/0	4	1	p. 5					
112521350/0	14	4	p. 3	322055258/0	7	1	p. 7					
112521350/0	33	4	p. 5	322060269/0	1	1	p. 21					
112523070/0	11	4	p. 3	322109911/0	4	1	p. 3					
112523080/0	4	1	p. 23	322109912/0	3	1	p. 3					
112582100/0	18	2	p. 3	322109913/0	4	1	p. 3					
112583500/0	12	4	p. 3	322109914/0	3	1	p. 3					
112604899/0	22	2	p. 5	322110636/0	5	4	p. 19					
112727783/0	2	1	p. 17	322110744/0	4	4	p. 19					
112727783/0	8	1	p. 11	322226218/0	2	1	p. 7					
112727783/0	8	1	p. 13	322226219/0	2	1	p. 7					
112727788/0	2	1	p. 15	322321537/0	8	4	p. 3					
112728124/0	3	4	p. 7	322322857/0	13	1	p. 5					
112728530/0	2	4	p. 21	322393659/0	5	1	p. 7					
112728697/0	1	12	p. 7	322393739/0	6	1	p. 7					
112728697/0	2	2	p. 3	322399840/0	8	4	p. 9					
112728697/0	11	19	p. 5	322551640/0	3	1	p. 15					
112735108/1	7	3	p. 23	322551640/0	12	1	p. 13					
112735109/1	7	3	p. 23	322600204/0	5	2	p. 5					
112735698/0	5	1	p. 23	322600204/0	18	2	p. 5					
112815200/0	17	2	p. 3	322608569/0	16	2	p. 3					
112818900/0	2	6	p. 9	322735595/1	6	2	p. 3					
112819121/0	6	4	p. 9	322735597/1	5	2	p. 3					
118203853/0	20	2	p. 3	322785474/0	19	2	p. 5					
118203854/0	4	4	p. 9	322785475/0	20	2	p. 5					
118203854/0	21	2	p. 3	322785476/0	7	1	p. 5					
118390020/0	5	1	p. 11	322785477/0	8	1	p. 5					
118390020/0	5	1	p. 13	322785478/0	9	1	p. 5					
119216035/0	2	4	p. 19	322785479/0	10	1	p. 5					
122020050/0	6	2	p. 5	381003365/0	6	1	p. 11					
122033332/0	21	1	p. 5	381003365/0	6	1	p. 13					
122394501/0	9	4	p. 3	381003376/0	6	1	p. 11					
122399900/0	8	4	p. 9	381003376/0	6	1	p. 13					
122430313/0	2	1	p. 11	381004781/0	1	1	p. 3					
122430313/0	2	1	p. 13	381004781/0	1	1	p. 5					
122430313/0	9	1	p. 15	381004784/0	1	1	p. 3					
122430313/0	9	1	p. 17	381004784/0	1	1	p. 5					
122446184/0	23	1	p. 5	381005143/0	7	4	p. 3					
122446192/0	15	1	p. 5	381006668/1	5	1	p. 9					
122463012/2	1	1	p. 23	381006739/1	1	1	p. 11					
122463020/1	1	1	p. 23	381006739/1	1	1	p. 13					
122519811/0	10	4	p. 3	381006740/0	1	1	p. 15					
122534131/0	16	1	p. 5	381006740/0	1	1	p. 17					
				381006745/1	1	1	p. 11					
				381006745/1	1	1	p. 13					