

# Parts Catalogue

for model  
**DML 504 W TR**

- Use GLOBAL GARDEN PRODUCT Genuine Spare Parts specified in the parts list for repair and/or replacement.
- The contents described in the parts list may change due to improvement.
- The drawings of the spare parts are only indicative and might not represent the part in question exactly.
- The indications "right" - "left" - "front" - "rear" refer to the position of the operator when using the machine.
- When placing orders of parts for repair and/or replacement, make sure that the illustrated parts list is the one applying to the machine's year of manufacture, as shown on the identification plate attached to the machine.

© Copyright 2015 Global Garden Products

All content is subject to copyright by Global Garden Products and may not be reproduced in whole or in part by any means, electronic or otherwise, without prior written approval.

THIS INFORMATION IS NOT INTENDED FOR SALE OR RESALE, AND THIS NOTICE MUST REMAIN ON ALL COPIES.



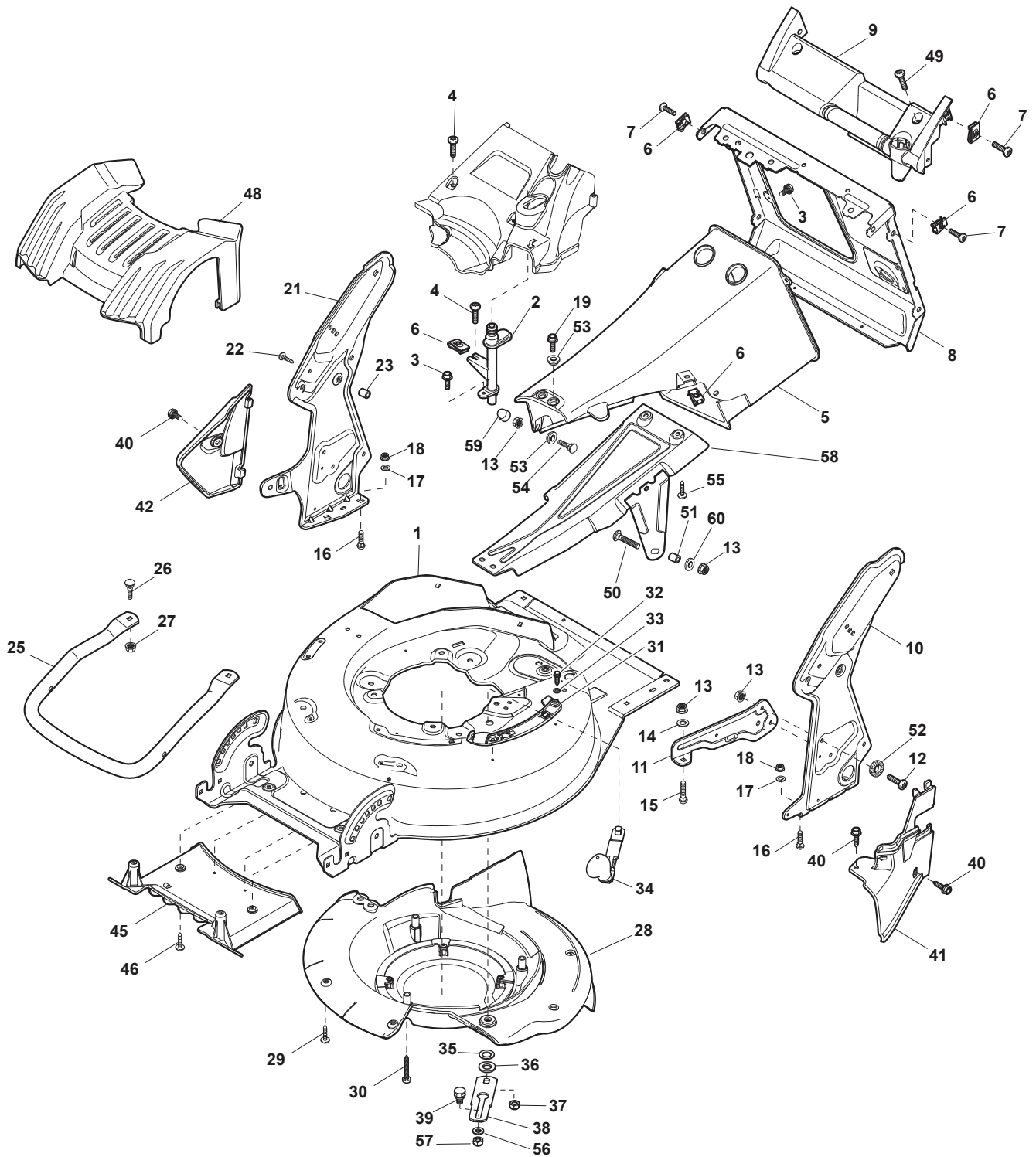


Fig.	Quantity	Part No	Description	Notes
1	1	381003865/0	Yellow Deck	
1	1	381004739/0	Grey Deck	
2	1	322034001/1	Washing Connection	
3	5	125943004/0	Screw	
4	2	112727802/0	Screw	
5	1	322108297/0	Ejection Conveyor Yellow	
6	12	112437507/0	Rapid Fixing Plate	
7	8	112727802/0	Screw	
8	1	381545321/1	Rear Plate	
9	1	322785282/0	Stone Guard Support	
10	1	381545333/0	Left Bracket	
11	1	322545191/0	Tie Rod Plate	
12	2	112727803/0	Screw	
13	4	112154510/0	Nut	
14	1	112521330/0	Washer	
15	1	112815200/0	Screw	
16	4	112818690/0	Screw	
17	4	112521350/0	Washer	
18	4	112155000/0	Nut	
19	2	112727801/0	Screw	
21	1	381545331/0	Right Bracket	
22	2	112735662/1	Screw	
23	2	122534128/0	Stake	
25	2	381393701/1	Protection	
26	2	112815205/0	Screw	
27	2	112154510/0	Nut	
28	1	381102202/0	Complete Mulching Carter	
29	2	125943004/0	Screw	
30	3	112735115/0	Screw	
31	1	322500052/2	Shoe	
32	2	112731580/0	Screw	
33	2	112521331/0	Washer	
34	1	381003338/0	Mulching Engage Lever Assy Dm (Ric)	
35	1	321660100/0	Washer	
36	1	112521370/0	Washer	
37	1	112154210/0	Nut	
38	1	322320009/0	Control Lever	
39	1	122042022/0	Mulching Compass Wbh Diamond	
40	3	125943004/0	Screw	
41	1	322109826/0	Rear Left Side Cover Deck Black	
42	1	322109825/0	Rear Right Side Cover Deck Black	
45	1	322500100/0	Front Combi	
46	6	112728706/0	Screw	
48	1	322226135/0	Mask, Yellow	
48	1	322226138/0	Mask, Black	
48	1	322226199/0	Mask, Grey	
49	2	112727801/0	Screw	
50	2	112815270/0	Screw	
51	2	122042023/0	Bushing	
51	2	122671664/0	Washer	
52	2	112540040/0	Washer	

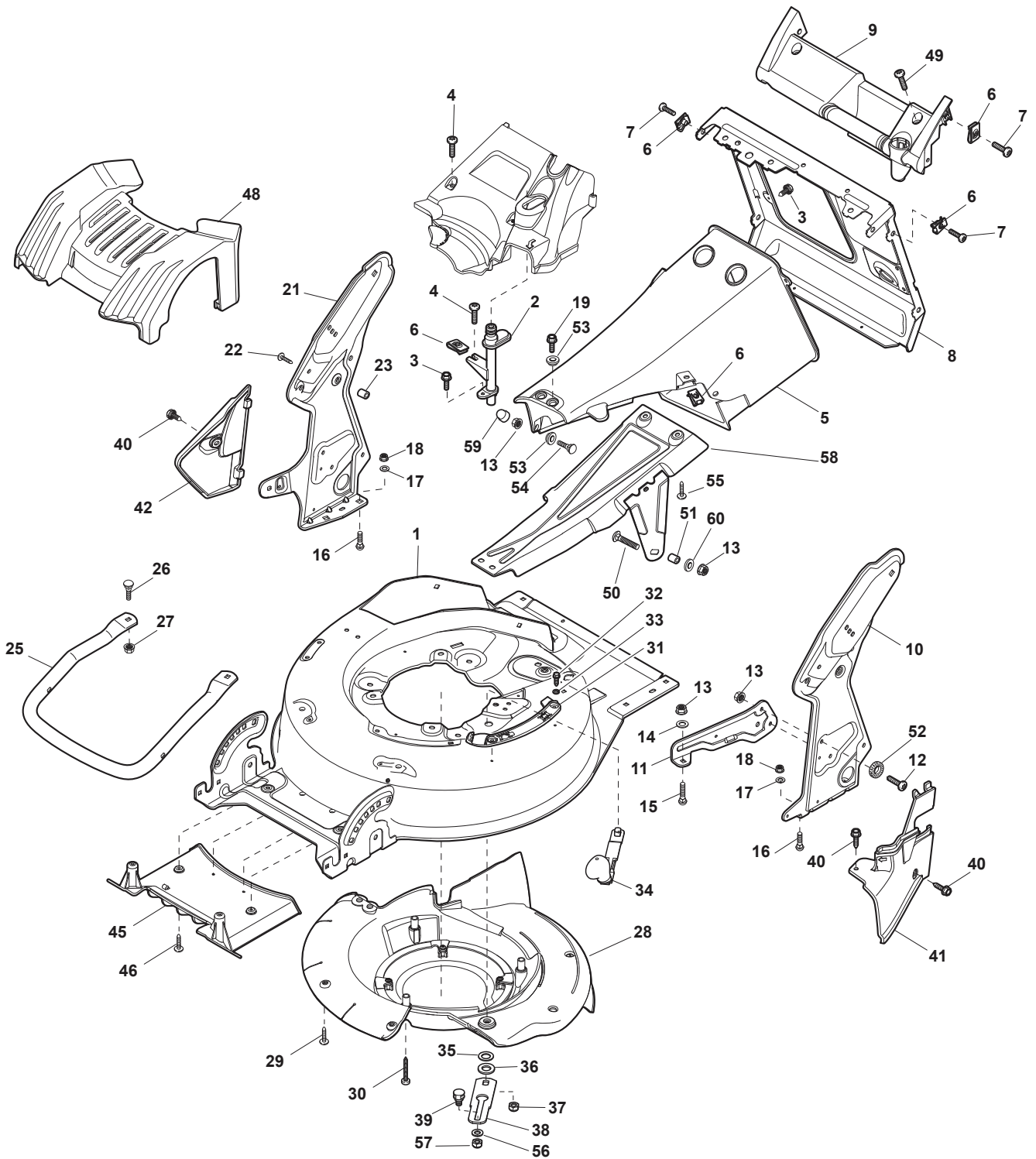


Fig.	Quantity	Part No	Description	Notes
53	6	325160039/0	Spacer	
54	1	112794986/0	Screw	
55	2	112727799/0	Screw	
56	1	112521350/0	Washer	
57	1	112155000/0	Nut	
58	1	381608501/0	Stiffening Lower	
59	1	118203853/0	Screw	
60	1	112523040/0	Washer	

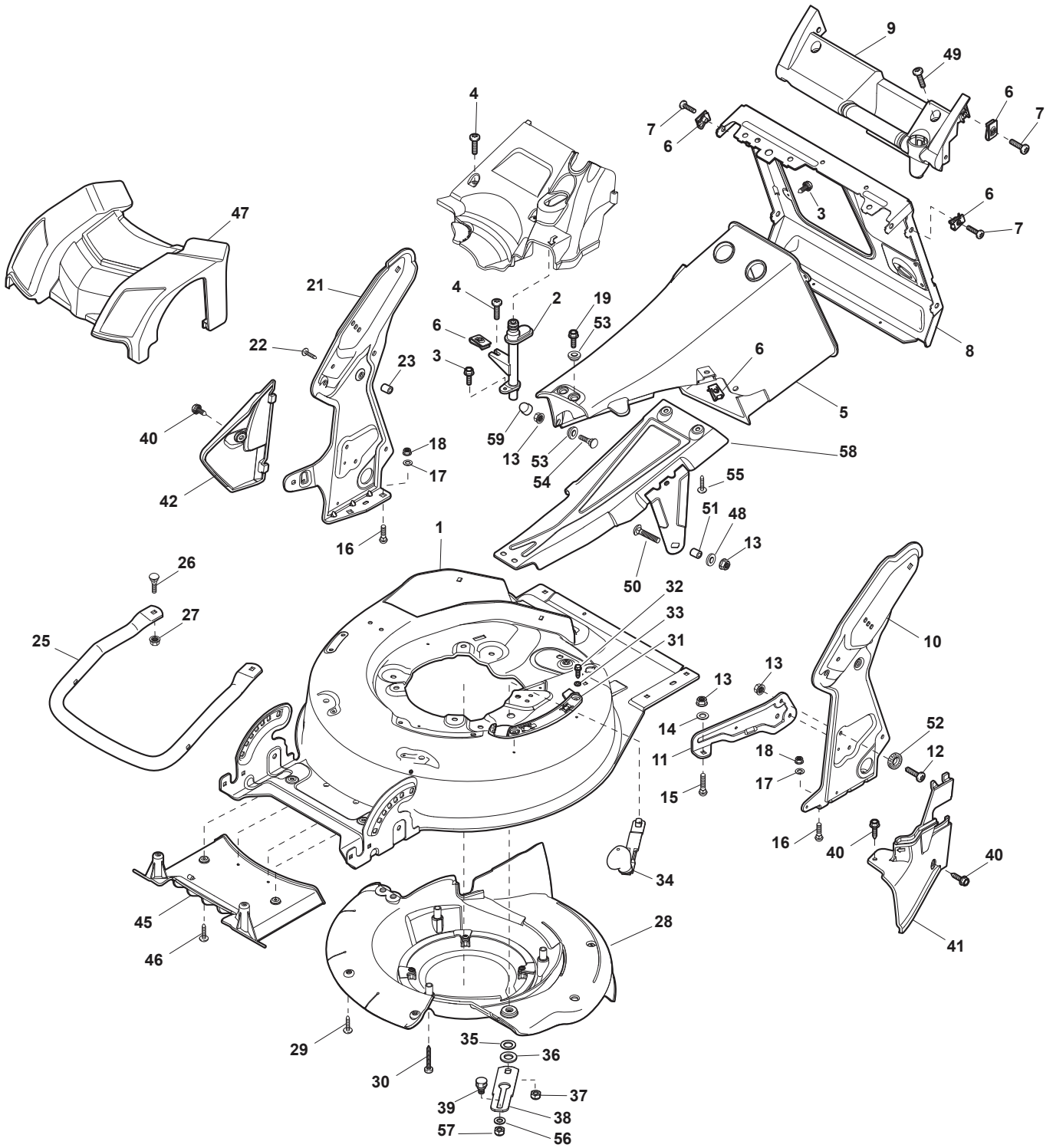
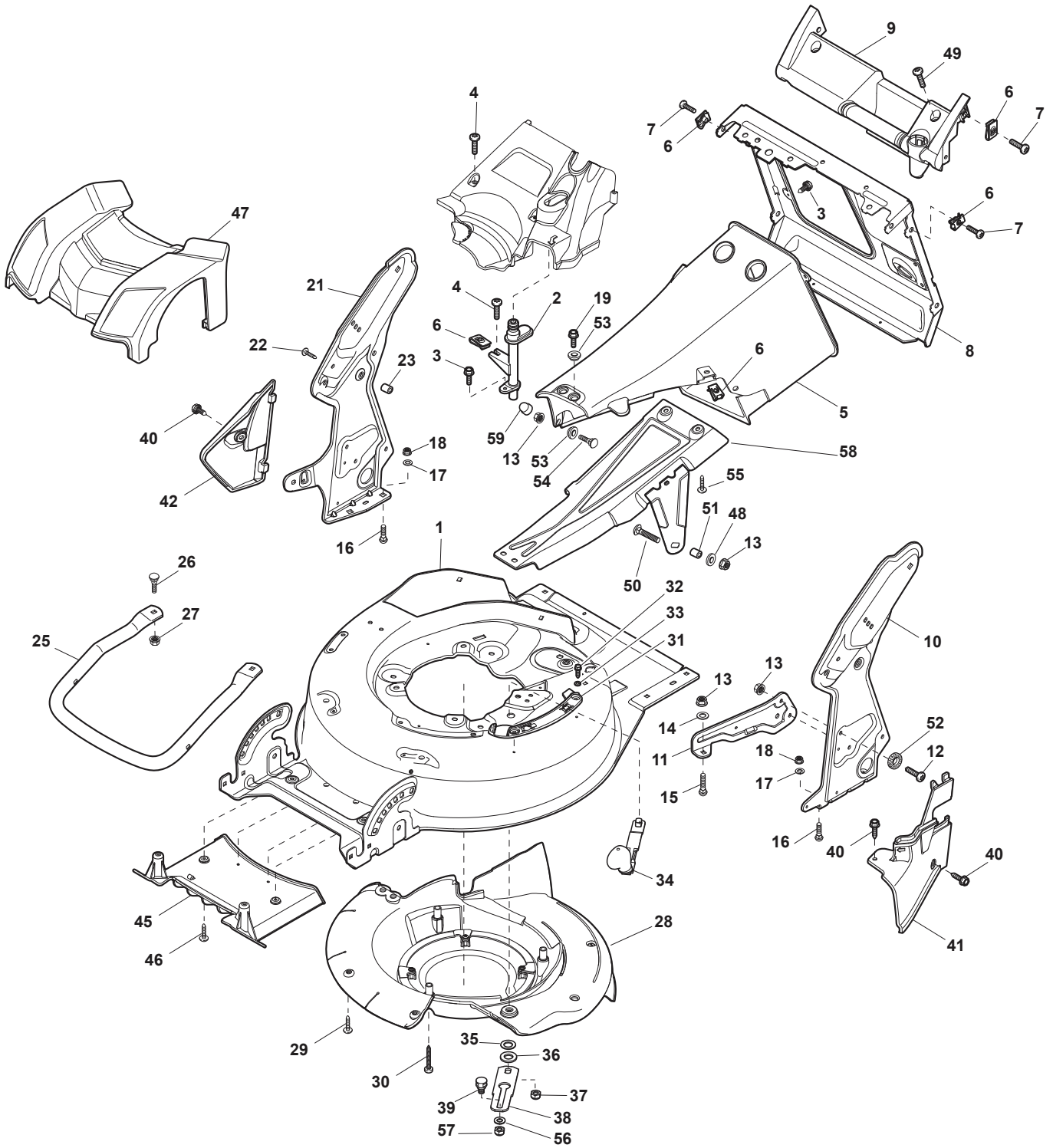


Fig.	Quantity	Part No	Description	Notes
1	1	381003867/0	Grey Deck	
2	1	322034001/1	Washing Connection	
3	5	125943004/0	Screw	
4	2	112727802/0	Screw	
5	1	322108296/0	Ejection Conveyor Red	
6	12	112437507/0	Rapid Fixing Plate	
7	8	112727802/0	Screw	
8	1	381545321/1	Rear Plate	
9	1	322785282/0	Stone Guard Support	
10	1	381545333/0	Left Bracket	
11	1	322545191/0	Tie Rod Plate	
12	2	112727803/0	Screw	
13	4	112154510/0	Nut	
14	1	112521330/0	Washer	
15	1	112815200/0	Screw	
16	4	112818690/0	Screw	
17	4	112521350/0	Washer	
18	4	112155000/0	Nut	
19	2	112727801/0	Screw	
21	1	381545331/0	Right Bracket	
22	2	112735662/1	Screw	
23	2	122534128/0	Stake	
25	2	381393701/1	Protection	
26	2	112815205/0	Screw	
27	2	112154510/0	Nut	
28	1	381102202/0	Complete Mulching Carter	
29	2	125943004/0	Screw	
30	3	112735115/0	Screw	
31	1	322500052/2	Shoe	
32	2	112731580/0	Screw	
33	2	112521331/0	Washer	
34	1	381003338/0	Mulching Engage Lever Assy Dm (Ric)	
35	1	321660100/0	Washer	
36	1	112521370/0	Washer	
37	1	112154210/0	Nut	
38	1	322320009/0	Control Lever	
39	1	122042022/0	Mulching Compass Wbh Diamond	
40	3	125943004/0	Screw	
41	1	322109826/0	Rear Left Side Cover Deck Black	
42	1	322109825/0	Rear Right Side Cover Deck Black	
45	1	322500100/0	Front Combi	
46	6	112728706/0	Screw	
47	1	322226134/0	Mask, Red	
48	1	112523040/0	Washer	
49	2	112727801/0	Screw	
50	2	112815270/0	Screw	
51	2	122042023/0	Bushing	
52	2	112540040/0	Washer	
53	6	325160039/0	Spacer	
54	1	112794986/0	Screw	
55	2	112727799/0	Screw	





# DML 504 W TR

WBH Petrol Steel Deck And Height Adjusting

Issue 7 - 2015

Fig.	Quantity	Part No	Description	Notes
56	1	112521350/0	Washer	
57	1	112155000/0	Nut	
58	1	381608501/0	Stiffening Lower	
59	1	118203853/0	Screw	

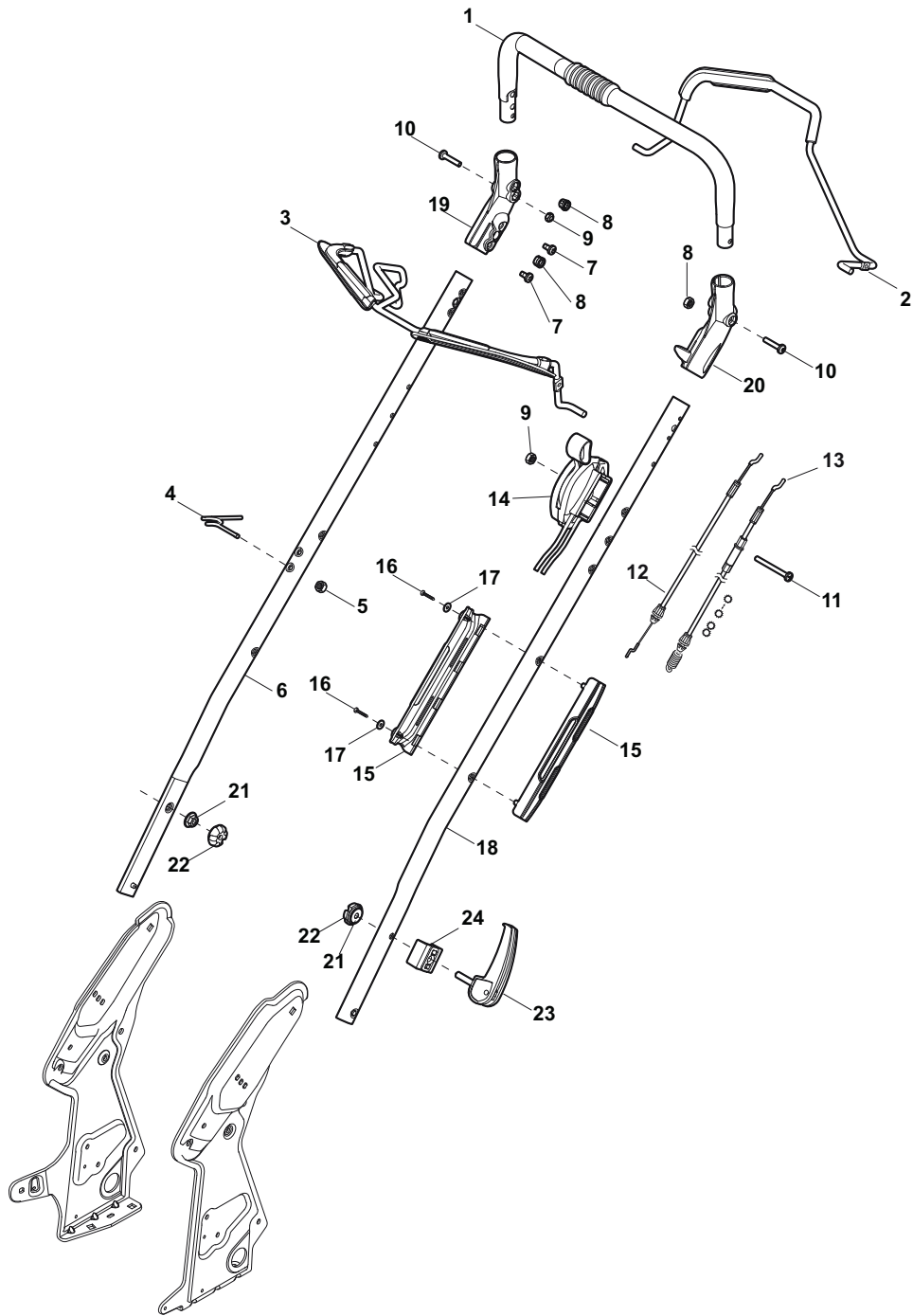


Fig.	Quantity	Part No	Description	Notes
1	1	381006670/2	Handle Tube	
2	1	381003349/0	Lever, Driving	
3	1	381003344/0	Lever, Engine Brake	
4	1	122430309/0	Spring	
5	1	112154330/0	Nut	
6	1	381006821/0	Handle Grey, Right	
6	1	381006895/0	Handle Black, Right	
7	4	112735662/1	Screw	
8	3	322041967/1	Bushing	
9	3	112154510/0	Nut	
10	2	112728721/0	Screw	
11	1	112727786/0	Screw	
12	1	181030065/0	Cable, Thread Engine Brake	
13	1	381030067/0	Cable Rear Drive	
14	1	181005501/1	Throttle Cable	for GGP Engine
14	1	181005502/1	Throttle Cable	for B&S Engine
14	1	181005503/1	Throttle Cable	for Honda Engine
14	1	181005520/1	Throttle Cable	for B&S DOV Series
14	1	181005525/0	Throttle Cable	for B&S E Series
15	1	322806644/0	Protection	
16	2	112727812/0	Screw	
17	2	112523000/1	Washer	
18	1	381006823/0	Handle Grey, Left	
18	1	381006897/0	Handle Black, Left	
19	1	322488301/0	Joint Sleeve Grey Right	
20	1	322488303/0	Joining Sleeve Grey Left	
21	2	112154220/0	Nut	
22	2	322399835/0	Knob	
23	2	381003253/0	Handle	
24	2	322680017/0	Washer	

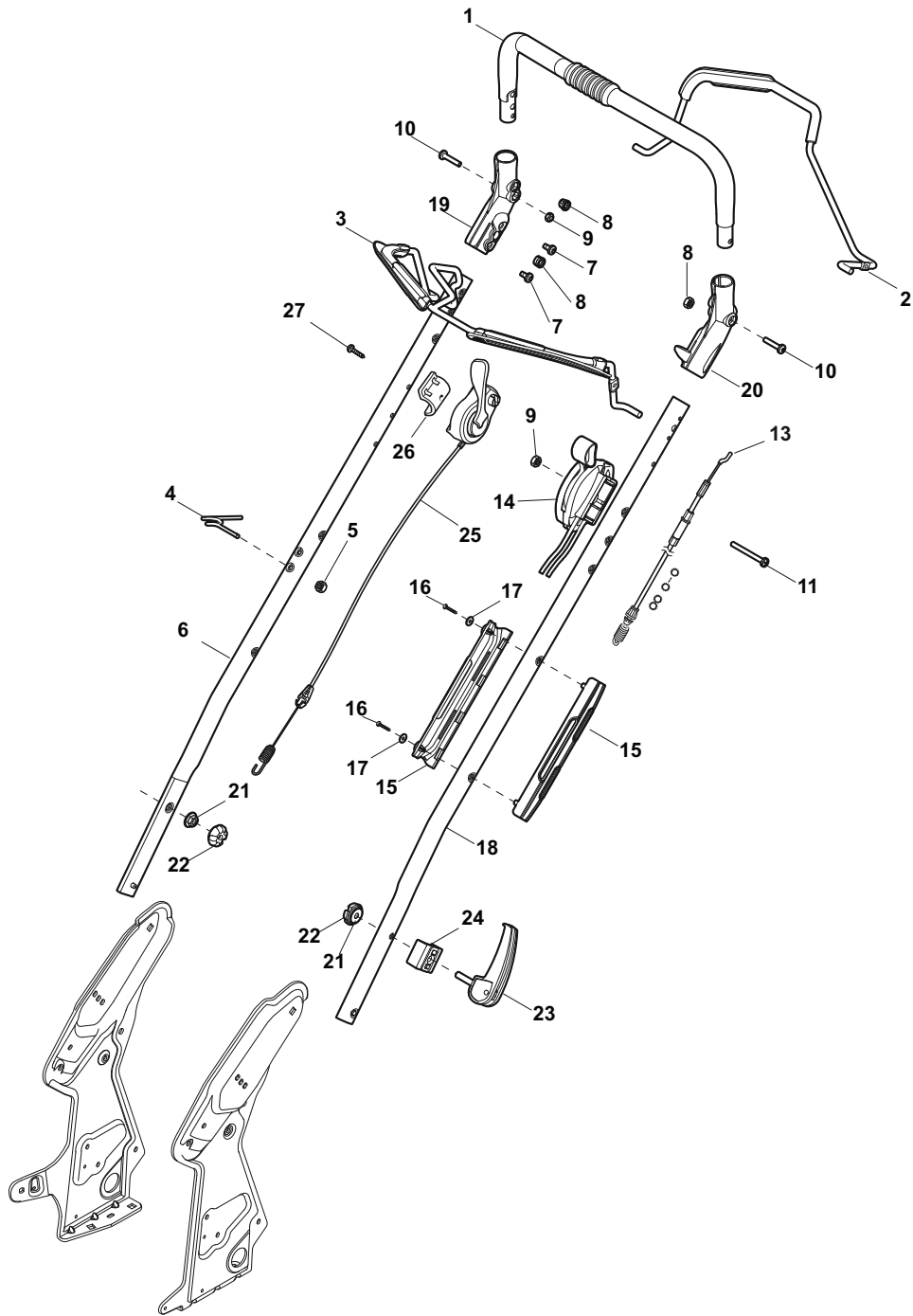


Fig.	Quantity	Part No	Description	Notes
1	1	381006670/2	Handle Tube	
2	1	381003349/0	Lever, Driving	
3	1	381003346/0	Lever, Engine Brake	
4	1	122430309/0	Spring	
5	1	112154330/0	Nut	
6	1	381006821/0	Handle Grey, Right	
6	1	381006895/0	Handle Black, Right	
7	4	112735662/1	Screw	
8	3	322041967/1	Bushing	
9	3	112154510/0	Nut	
10	2	112728721/0	Screw	
11	1	112727786/0	Screw	
13	1	381030067/0	Cable Rear Drive	
14	1	181005505/1	Throttle Cable	B&S Engine
14	1	181005506/1	Throttle Cable	Honda Engine
15	1	322806644/0	Protection	
16	2	112727812/0	Screw	
17	2	112523000/1	Washer	
18	1	381006823/0	Handle Grey, Left	
18	1	381006897/0	Handle Black, Left	
19	1	322488301/0	Joint Sleeve Grey Right	
20	1	322488303/0	Joining Sleeve Grey Left	
21	2	112154220/0	Nut	
22	2	322399835/0	Knob	
23	2	381003253/0	Handle	
24	2	322680017/0	Washer	
25	1	381030064/0	Cable, Mechanical Clutch	
26	1	322000020/0	Adapter Drive BBC	
27	2	112727786/0	Screw	

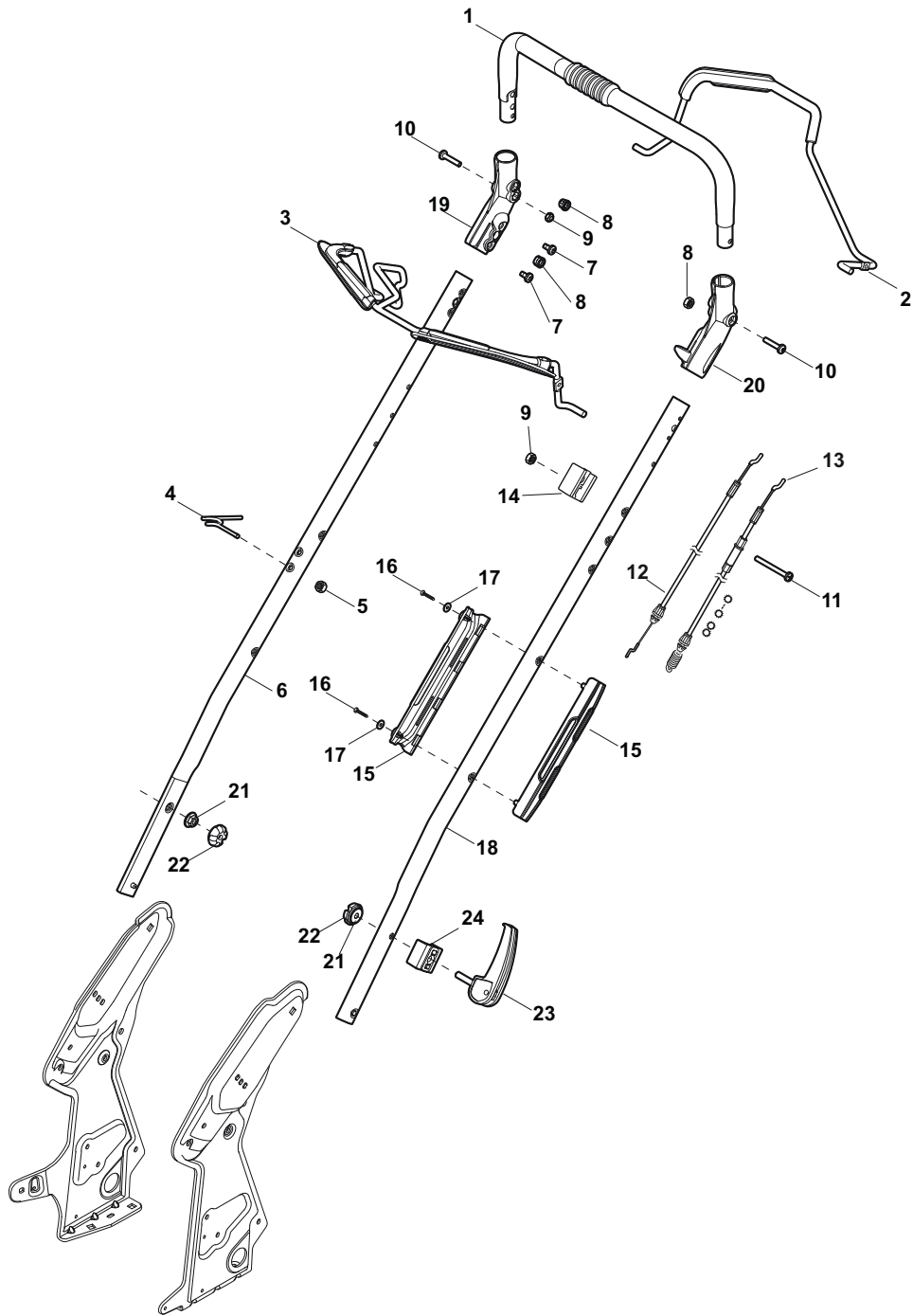


Fig.	Quantity	Part No	Description	Notes
1	1	381006670/2	Handle Tube	
2	1	381003349/0	Lever, Driving	
3	1	381003344/0	Lever, Engine Brake	
4	1	122430309/0	Spring	
5	1	112154330/0	Nut	
6	1	381006821/0	Handle Grey, Right	
6	1	381006895/0	Handle Black, Right	
7	4	112735662/1	Screw	
8	3	322041967/1	Bushing	
9	3	112154510/0	Nut	
10	2	112728721/0	Screw	
11	1	112727786/0	Screw	
12	1	181030066/0	Cable, Thread Engine Brake	
13	1	381030068/0	Cable Rear Drive	
14	1	322551639/0	Fixed Plate	
15	1	322806644/0	Protection	
16	2	112727812/0	Screw	
17	2	112523000/1	Washer	
18	1	381006823/0	Handle Grey, Left	
18	1	381006897/0	Handle Black, Left	
19	1	322488301/0	Joint Sleeve Grey Right	
20	1	322488303/0	Joining Sleeve Grey Left	
21	2	112154220/0	Nut	
22	2	322399835/0	Knob	
23	2	381003253/0	Handle	
24	2	322680017/0	Washer	

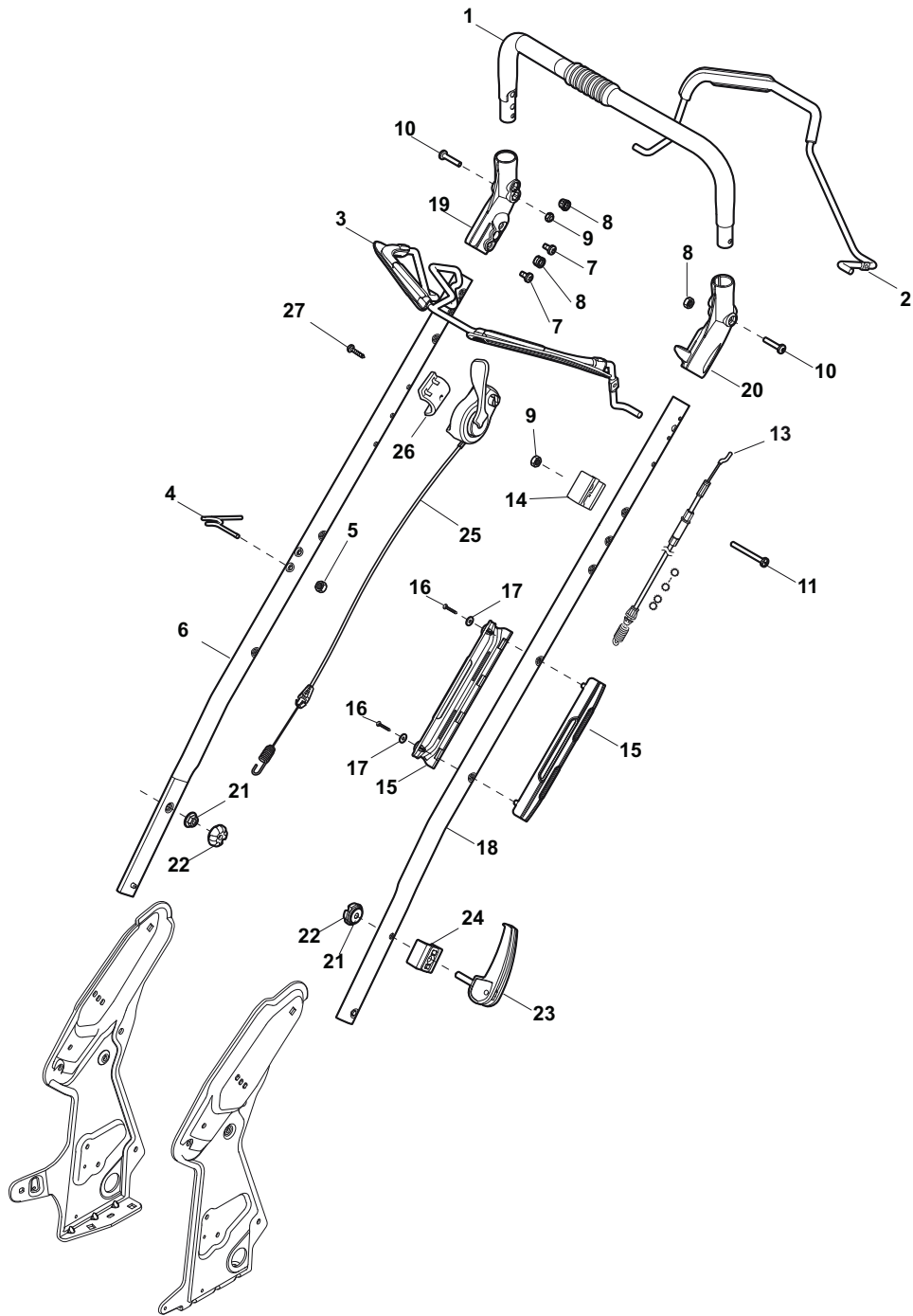




Fig.	Quantity	Part No	Description	Notes
1	1	381006670/2	Handle Tube	
2	1	381003349/0	Lever, Driving	
3	1	381003346/0	Lever, Engine Brake	
4	1	122430309/0	Spring	
5	1	112154330/0	Nut	
6	1	381006821/0	Handle Grey, Right	
6	1	381006895/0	Handle Black, Right	
7	4	112735662/1	Screw	
8	3	322041967/1	Bushing	
9	3	112154510/0	Nut	
10	2	112728721/0	Screw	
11	1	112727786/0	Screw	
13	1	381030068/0	Cable Rear Drive	
14	1	322551639/0	Fixed Plate	
15	1	322806644/0	Protection	
16	2	112727812/0	Screw	
17	2	112523000/1	Washer	
18	1	381006823/0	Handle Grey, Left	
18	1	381006897/0	Handle Black, Left	
19	1	322488301/0	Joint Sleeve Grey Right	
20	1	322488303/0	Joining Sleeve Grey Left	
21	2	112154220/0	Nut	
22	2	322399835/0	Knob	
23	2	381003253/0	Handle	
24	2	322680017/0	Washer	
25	1	381030064/0	Cable, Mechanical Clutch	
26	1	322000020/0	Adapter Drive BBC	
27	2	112727786/0	Screw	

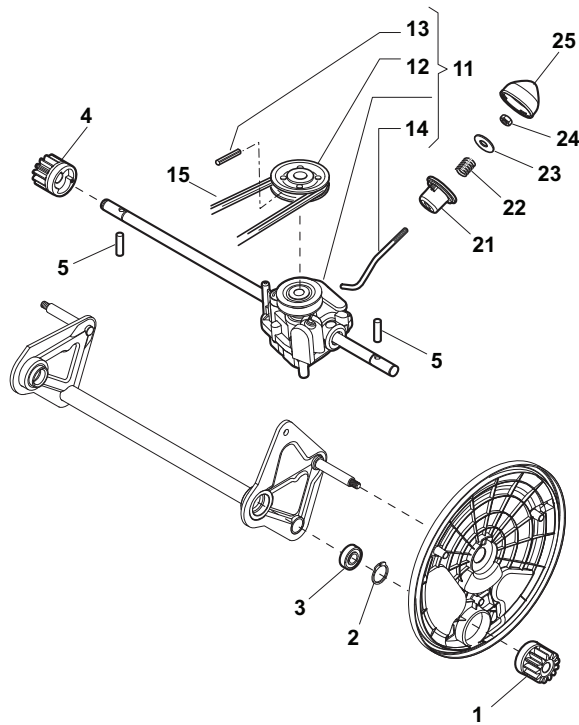


Fig.	Quantity	Part No	Description	Notes
1	1	122570132/0	Left Pinion	
2	4	112608600/0	Seeger	
3	2	119216035/0	Bearing	
4	1	122570131/0	Right Pinion	
5	2	122753000/0	Pin	
11	1	181003106/1	Gear Box	
12	1	122601908/1	Pulley	
13	1	112645705/0	Elastic Pin	
14	1	122033290/0	Adjustment Rod	
15	1	135064391/0	Belt	
21	1	122041957/1	Bushing	
22	1	122450063/0	Spring	
23	1	322680009/0	Washer	
24	1	112154510/0	Nut	
25	1	322109550/0	Rod Cup	

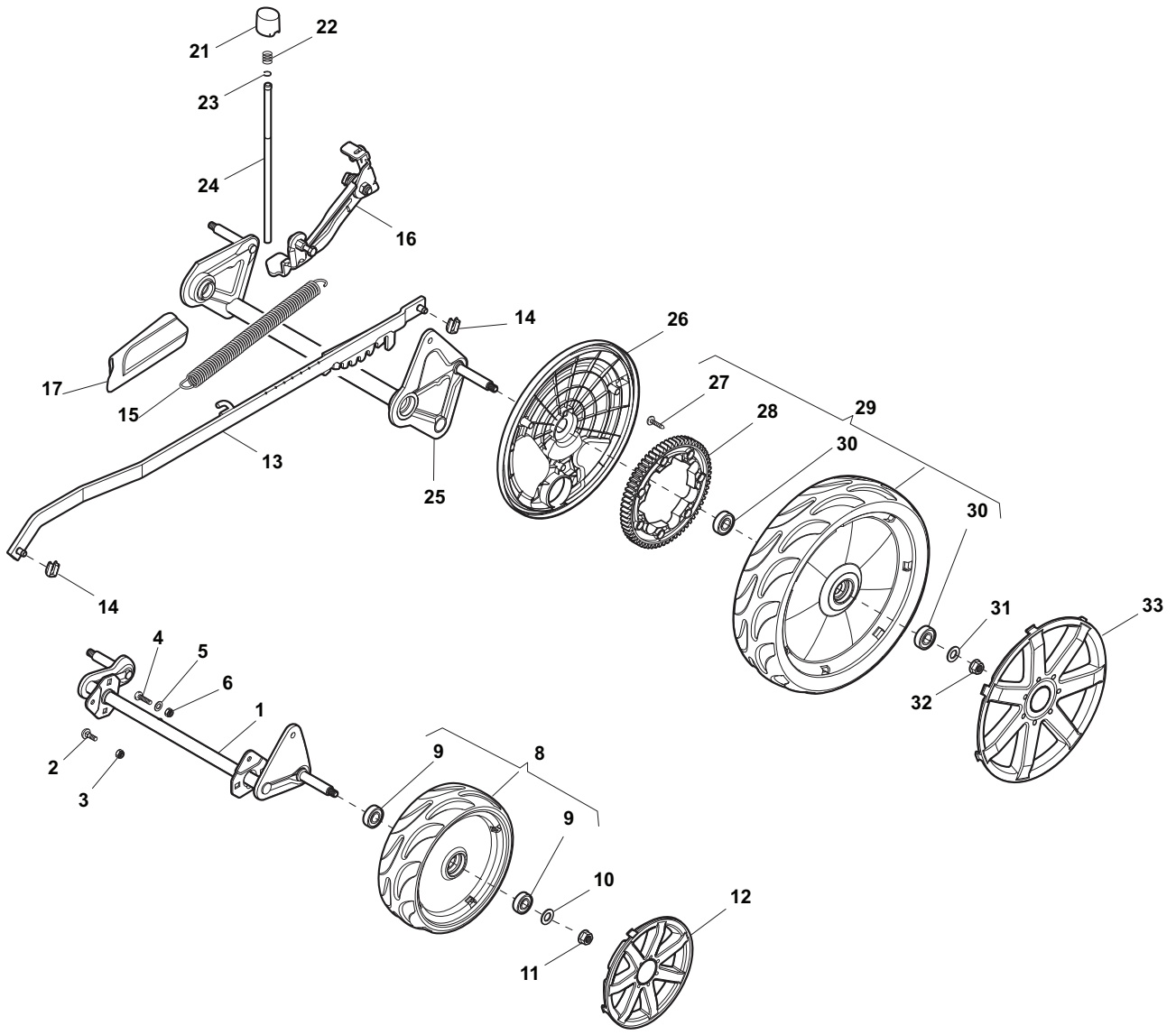


Fig.	Quantity	Part No	Description	Notes
1	1	381002869/1	Front Wheel Axle	
2	4	112815205/0	Screw	
3	4	112154510/0	Nut	
4	2	112727799/0	Screw	
5	2	112523040/0	Washer	
6	2	112154510/0	Nut	
8	2	381007394/1	Wheel	
9	4	119216035/0	Bearing	
10	2	112521350/0	Washer	
11	2	112155000/0	Nut	
12	2	322110597/0	Hub Cap Grey	
13	1	381002034/0	Rod, Height Adjustment	
14	2	112436051/0	Plate	
15	1	122450459/1	Spring	
16	1	381003337/1	Lever, Height Adjustment	
17	1	322570202/0	Adjustment Plate	
21	1	322602012/1	Height Adj. Button	
22	1	122450462/0	Spring	
23	1	112000930/0	Benzing Ring	
24	1	122033351/1	Rod	
25	1	381002899/0	Rear Wheel Axle	
26	2	322600179/0	Internal Wheel Protection	
27	6	112728691/0	Screw	
28	2	322120113/0	Wheels Crown	
29	2	381007398/1	Wheel	
30	4	119216035/0	Bearing	
31	2	112521350/0	Washer	
32	2	112155000/0	Nut	
33	2	322110599/0	Hub Cap Grey	

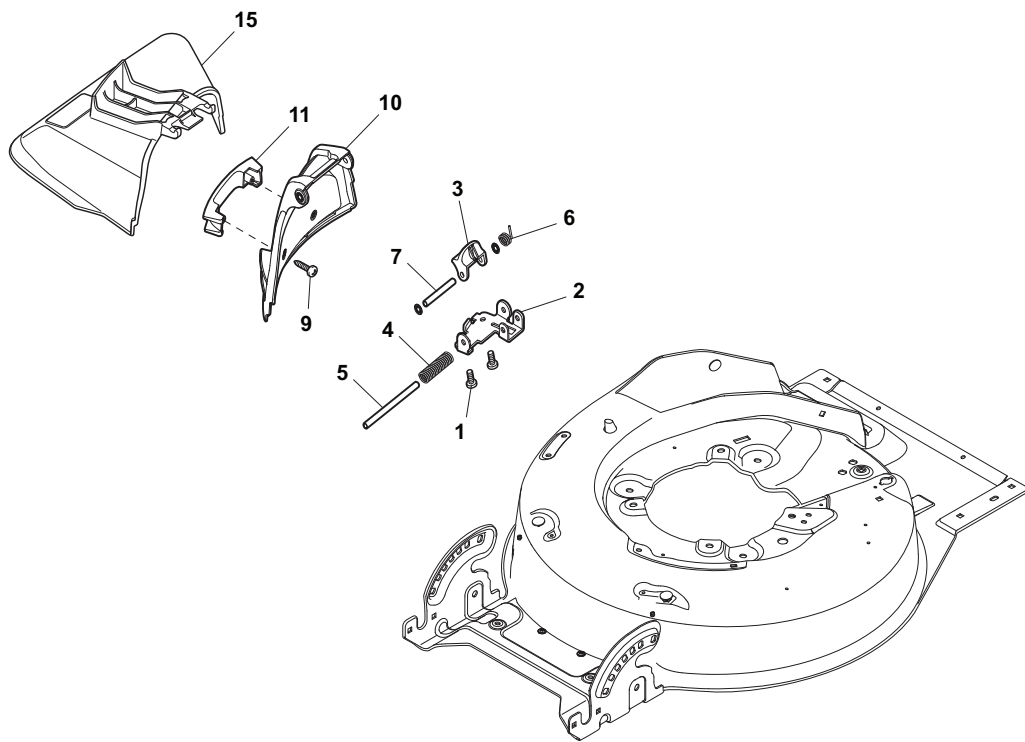


Fig.	Quantity	Part No	Description	Notes
1	2	112727803/0	Screw	
2	1	322806635/1	Fulcrum Pin	
3	1	322783010/1	Safety Button	
4	1	122450456/0	Spring	
5	1	122517864/0	Pin	
6	1	122450457/0	Safety Spring	
7	1	122517866/0	Pin	
9	2	112728706/0	Screw	
10	1	322600200/0	Ejection Guard	
11	1	322393633/0	Handle	
15	1	322108289/0	Side Ejection Conveyor	

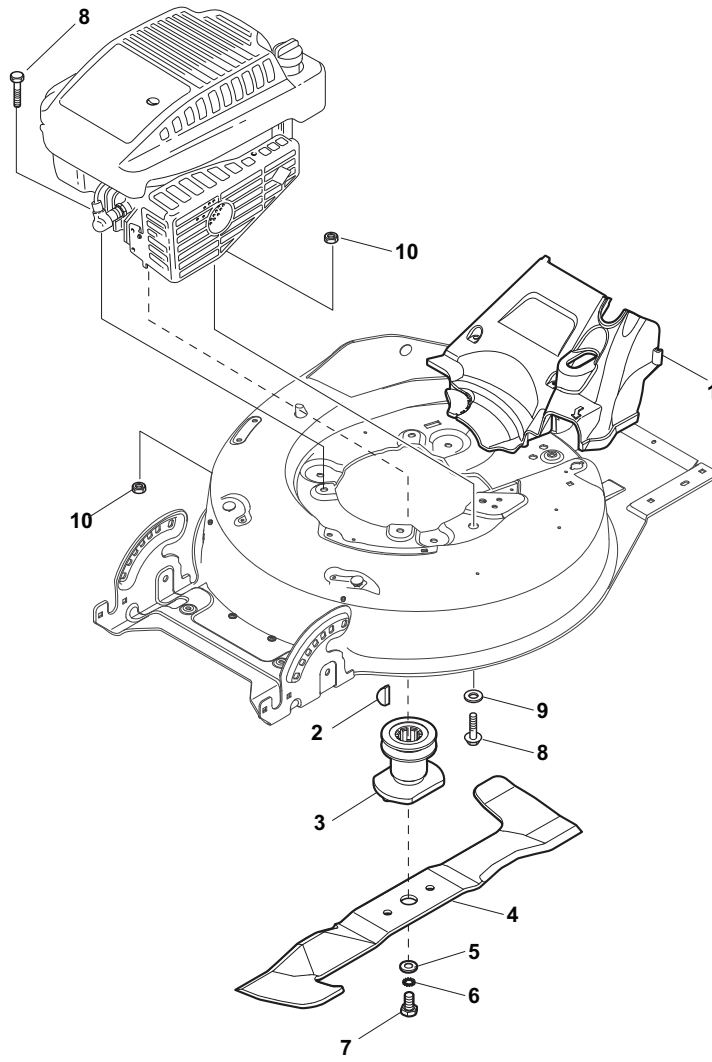




Fig.	Quantity	Part No	Description	Notes
1	1	322060230/0	Belt Protection	
2	1	112139100/0	Feather, Crankshaft Ø 22,2	
2	1	112139150/0	Feather, Crankshaft Ø 25	
3	1	122465607/3	Hub With Pulley, Crankshaft Ø 22.2	
3	1	122465608/2	Hub With Pulley, Crankshaft Ø 25	
4	1	181004450/0	Mulching Blade	
5	1	122160400/0	Elastic Disc	
6	1	112523080/0	Washer	
7	1	112735698/0	Screw	
8	3	112691115/0	Screw	for GGP Engine
8	2	112691100/0	Screw	for B&S 675-850 Engine
8	3	112691100/0	Screw	for B&S 625-750 Engine
8	3	112691115/0	Screw	for Honda Engine
8	1	112691800/0	Screw	for B&S 675-850 Engine
9	1	112521350/0	Washer	
10	3	112154210/0	Nut	

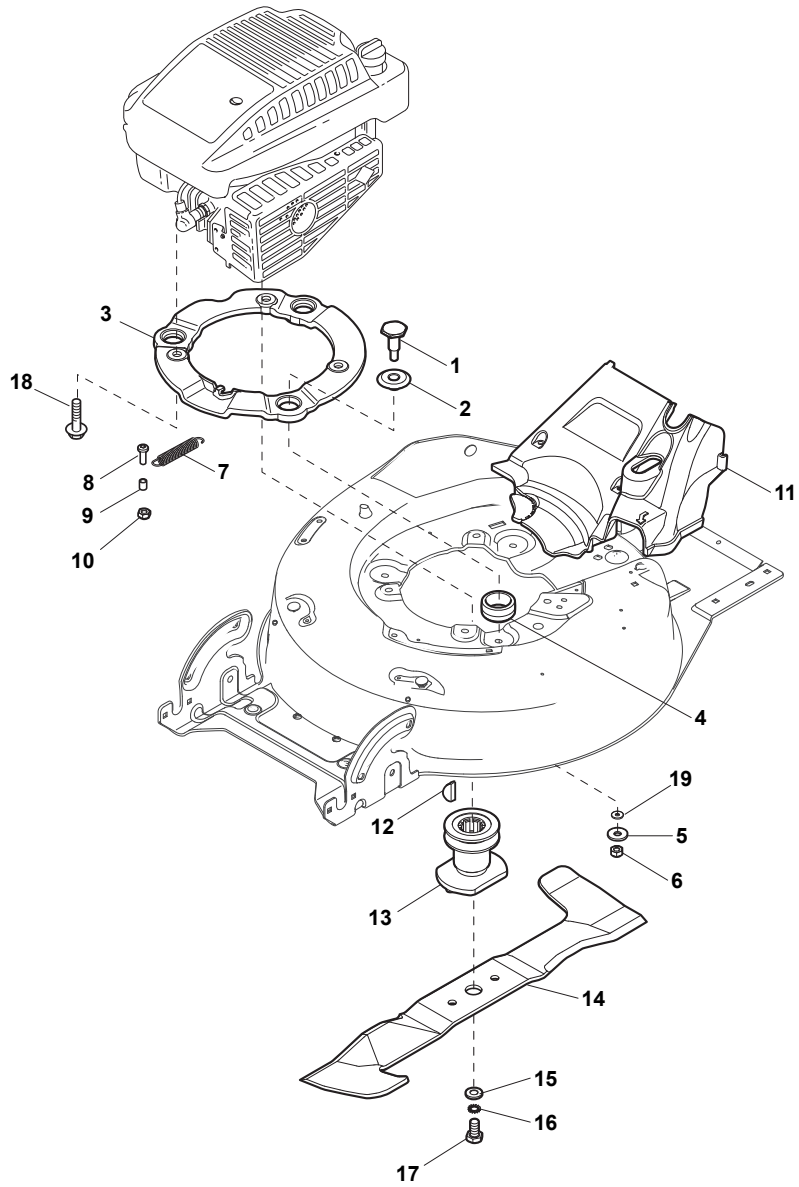


Fig.	Quantity	Part No	Description	Notes
1	3	122519816/0	Pin	
2	3	322672201/0	Washer	
3	1	322207226/0	Flange	
4	3	322250014/0	Rubber	
5	3	112521350/0	Washer	
6	3	112155000/0	Nut	
7	1	122450461/0	Spring	
8	1	112727801/0	Screw	
9	1	122170846/0	Screw	
10	1	112154510/0	Nut	
11	1	322060230/0	Belt Protection	
12	1	112139100/0	Feather, Crankshaft Ø 22,2	
12	1	112139150/0	Feather, Crankshaft Ø 25	
13	1	122465638/1	Hub With Pulley, Crankshaft Ø 22.2	
13	1	122465639/1	Hub With Pulley, Crankshaft Ø 25	
14	1	181004451/0	Mulching Blade	
15	1	122160400/0	Elastic Disc	
16	1	112523080/0	Washer	
17	1	112736815/0	Screw	
18	3	112735108/1	Screw	
19	3	122170850/0	Spacer	

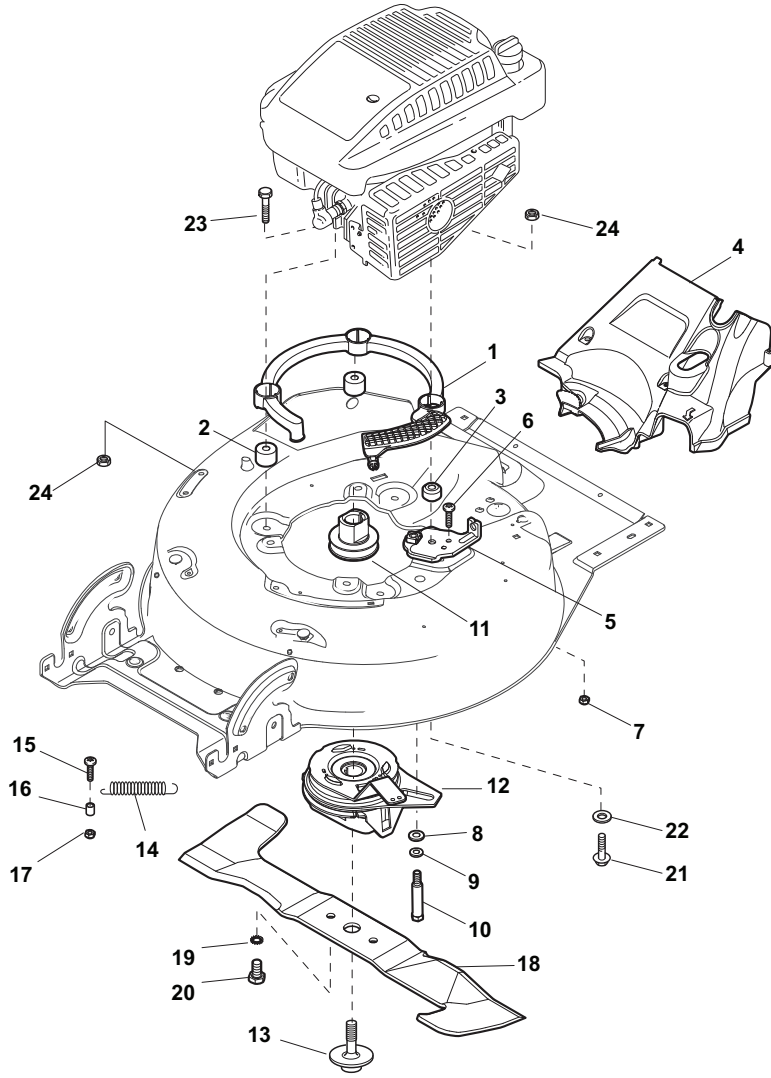


Fig.	Quantity	Part No	Description	Notes
1	1	322170962/0	Chassis Protection	
2	2	122170835/0	Spacer	
3	1	122170836/1	Spacer	
4	1	322060232/1	Protection	
5	1	381545329/0	Pivot Plate	
6	1	112727802/0	Screw	
7	1	112154510/0	Nut	
8	1	122671653/0	Washer	
9	1	112540060/0	Washer	
10	1	122534127/0	Stake	
11	1	122601922/0	Pulley, Crankshaft Ø 22.2	
11	1	122601923/0	Pulley, Crankshaft Ø 25	
12	1	118399051/0	Blade Brake Clutch	
13	1	112735460/0	Screw	
14	1	122446188/0	Spring	
15	1	112727801/0	Screw	
16	1	122170846/0	Screw	
17	1	112154510/0	Nut	
18	1	181004452/0	Mulching Blade	
19	2	112540070/0	Washer	
20	2	112794110/0	Screw	
21	1	112692050/0	Screw	
22	1	112521350/0	Washer	
23	2	112691700/0	Screw	
24	3	112154210/0	Nut	

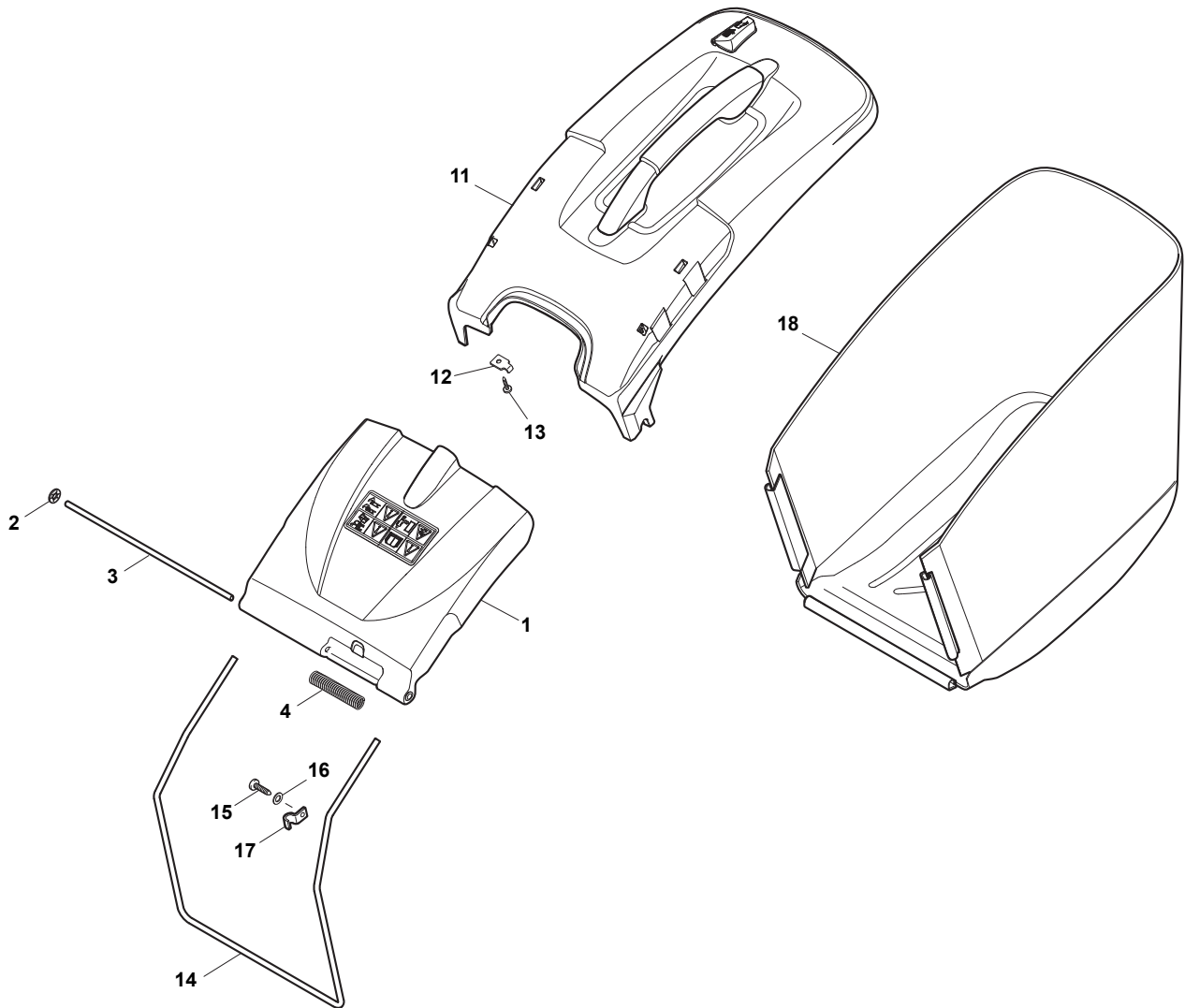


Fig.	Quantity	Part No	Description	Notes
11	1	381486032/0	Upper Grasscat.+Handle+Full Bag Dm	
18	1	181102335/0	Fabric Box Stiga	Stiga
1	1	322600180/4	Stone-Guard	Black
2	2	112604899/0	Crown Fastener	
3	1	122517863/0	Pin	
4	1	122450455/1	Spring	
11	1	381486007/0	Upper Grasscat.+Handle+Full Bag Dm	
12	2	322545159/0	Plate	
13	2	112728689/0	Screw	
14	1	122608542/0	Lower Stiffening	
15	2	112728689/0	Screw	
16	2	112521320/0	Washer	
17	2	325774220/0	Bracket	
18	1	181002298/2	Box, Fabric	Without Logo - Black
18	1	181002303/2	Fabric Box Castelgarden	Castelgarden





125943004/0	29	2	p. 7	322500052/2	31	1	p. 3	381006895/0	6	1	p. 15
125943004/0	40	3	p. 3	322500052/2	31	1	p. 7	381006895/0	6	1	p. 17
125943004/0	40	3	p. 7	322500100/0	45	1	p. 3	381006897/0	18	1	p. 11
135064391/0	15	1	p. 19	322500100/0	45	1	p. 7	381006897/0	18	1	p. 13
181002298/2	18	1	p. 31	322545159/0	12	2	p. 31	381006897/0	18	1	p. 15
181002303/2	18	1	p. 31	322545191/0	11	1	p. 3	381006897/0	18	1	p. 17
181003106/1	11	1	p. 19	322545191/0	11	1	p. 7	381007394/1	8	2	p. 21
181004450/0	4	1	p. 25	322551639/0	14	1	p. 15	381007398/1	29	2	p. 21
181004451/0	14	1	p. 27	322551639/0	14	1	p. 17	381030064/0	25	1	p. 13
181004452/0	18	1	p. 29	322570202/0	17	1	p. 21	381030064/0	25	1	p. 17
181005501/1	14	1	p. 11	322600179/0	26	2	p. 21	381030067/0	13	1	p. 11
181005502/1	14	1	p. 11	322600180/4	1	1	p. 31	381030067/0	13	1	p. 13
181005503/1	14	1	p. 11	322600200/0	10	1	p. 23	381030068/0	13	1	p. 15
181005505/1	14	1	p. 13	322602012/1	21	1	p. 21	381030068/0	13	1	p. 17
181005506/1	14	1	p. 13	322672201/0	2	3	p. 27	381102202/0	28	1	p. 3
181005520/1	14	1	p. 11	322680009/0	23	1	p. 19	381102202/0	28	1	p. 7
181005525/0	14	1	p. 11	322680017/0	24	2	p. 11	381393701/1	25	2	p. 3
181030065/0	12	1	p. 11	322680017/0	24	2	p. 13	381393701/1	25	2	p. 7
181030066/0	12	1	p. 15	322680017/0	24	2	p. 15	381486007/0	11	1	p. 31
181102335/0	18	1	p. 31	322680017/0	24	2	p. 17	381486032/0	11	1	p. 31
321660100/0	35	1	p. 3	322783010/1	3	1	p. 23	381545321/1	8	1	p. 3
321660100/0	35	1	p. 7	322785282/0	9	1	p. 3	381545321/1	8	1	p. 7
322000020/0	26	1	p. 13	322785282/0	9	1	p. 7	381545329/0	5	1	p. 29
322000020/0	26	1	p. 17	322806635/1	2	1	p. 23	381545331/0	21	1	p. 3
322034001/1	2	1	p. 3	322806644/0	15	1	p. 11	381545331/0	21	1	p. 7
322034001/1	2	1	p. 7	322806644/0	15	1	p. 13	381545333/0	10	1	p. 3
322041967/1	8	3	p. 11	322806644/0	15	1	p. 15	381545333/0	10	1	p. 7
322041967/1	8	3	p. 13	322806644/0	15	1	p. 17	381608501/0	58	1	p. 5
322041967/1	8	3	p. 15	325160039/0	53	6	p. 5	381608501/0	58	1	p. 9
322041967/1	8	3	p. 17	325160039/0	53	6	p. 7				
322060230/0	1	1	p. 25	325774220/0	17	2	p. 31				
322060230/0	11	1	p. 27	381002034/0	13	1	p. 21				
322060232/1	4	1	p. 29	381002869/1	1	1	p. 21				
322108289/0	15	1	p. 23	381002899/0	25	1	p. 21				
322108296/0	5	1	p. 7	381003253/0	23	2	p. 11				
322108297/0	5	1	p. 3	381003253/0	23	2	p. 13				
322109550/0	25	1	p. 19	381003253/0	23	2	p. 15				
322109825/0	42	1	p. 3	381003253/0	23	2	p. 17				
322109825/0	42	1	p. 7	381003337/1	16	1	p. 21				
322109826/0	41	1	p. 3	381003338/0	34	1	p. 3				
322109826/0	41	1	p. 7	381003338/0	34	1	p. 7				
322110597/0	12	2	p. 21	381003344/0	3	1	p. 11				
322110599/0	33	2	p. 21	381003344/0	3	1	p. 15				
322120113/0	28	2	p. 21	381003346/0	3	1	p. 13				
322170962/0	1	1	p. 29	381003346/0	3	1	p. 17				
322207226/0	3	1	p. 27	381003349/0	2	1	p. 11				
322226134/0	47	1	p. 7	381003349/0	2	1	p. 13				
322226135/0	48	1	p. 3	381003349/0	2	1	p. 15				
322226138/0	48	1	p. 3	381003349/0	2	1	p. 17				
322226199/0	48	1	p. 3	381003865/0	1	1	p. 3				
322250014/0	4	3	p. 27	381003867/0	1	1	p. 7				
322320009/0	38	1	p. 3	381004739/0	1	1	p. 3				
322320009/0	38	1	p. 7	381006670/2	1	1	p. 11				
322393633/0	11	1	p. 23	381006670/2	1	1	p. 13				
322399835/0	22	2	p. 11	381006670/2	1	1	p. 15				
322399835/0	22	2	p. 13	381006670/2	1	1	p. 17				
322399835/0	22	2	p. 15	381006821/0	6	1	p. 11				
322399835/0	22	2	p. 17	381006821/0	6	1	p. 13				
322488301/0	19	1	p. 11	381006821/0	6	1	p. 15				
322488301/0	19	1	p. 13	381006821/0	6	1	p. 17				
322488301/0	19	1	p. 15	381006823/0	18	1	p. 11				
322488301/0	19	1	p. 17	381006823/0	18	1	p. 13				
322488303/0	20	1	p. 11	381006823/0	18	1	p. 15				
322488303/0	20	1	p. 13	381006823/0	18	1	p. 17				
322488303/0	20	1	p. 15	381006895/0	6	1	p. 11				
322488303/0	20	1	p. 17	381006895/0	6	1	p. 13				