

Parts Catalogue

for model
CRL-CSL 480 WS
CRL-CSL 480 WSQ

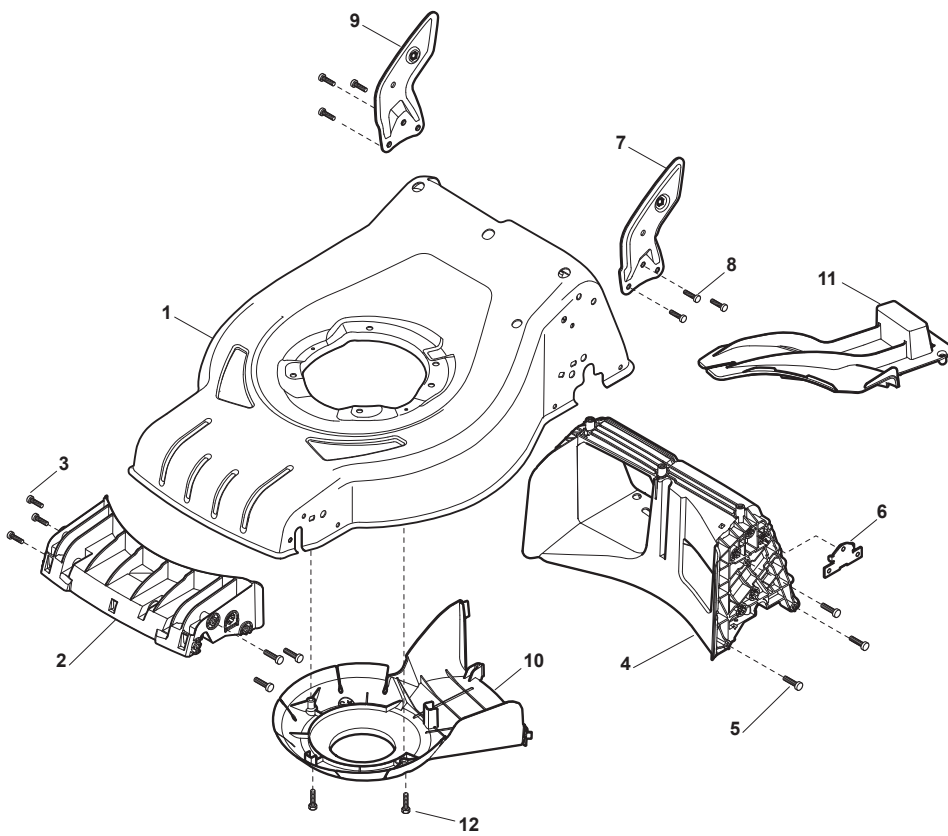
- Use GLOBAL GARDEN PRODUCT Genuine Spare Parts specified in the parts list for repair and/or replacement.
- The contents described in the parts list may change due to improvement.
- The drawings of the spare parts are only indicative and might not represent the part in question exactly.
- The indications "right" - "left" - "front" - "rear" refer to the position of the operator when using the machine.
- When placing orders of parts for repair and/or replacement, make sure that the illustrated parts list is the one applying to the machine's year of manufacture, as shown on the identification plate attached to the machine.

© Copyright 2015 Global Garden Products

All content is subject to copyright by Global Garden Products and may not be reproduced in whole or in part by any means, electronic or otherwise, without prior written approval.

THIS INFORMATION IS NOT INTENDED FOR SALE OR RESALE, AND THIS NOTICE MUST REMAIN ON ALL COPIES.



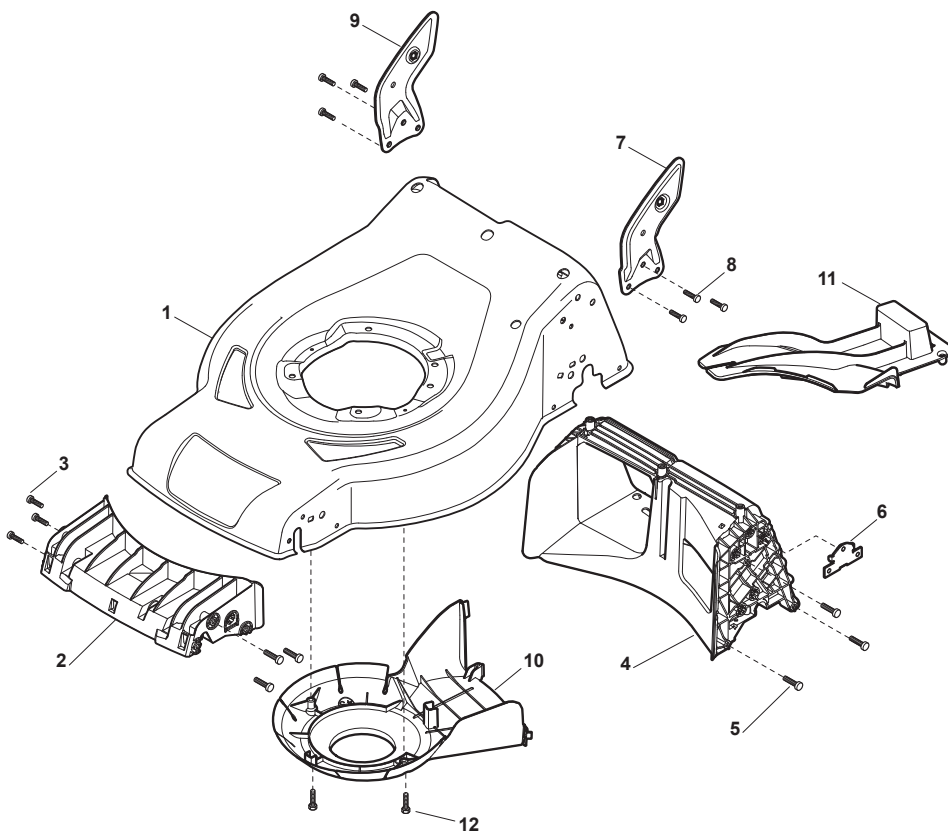


CRL-CSL 480 WS - CRL-CSL 480 WSQ

WBH Electric steel Deck

Issue 7 - 2015

| Fig. | Quantity | Part No | Description | Notes |
|------|----------|-------------|---------------------|-------|
| 1 | 1 | 381004018/0 | Red Deck | |
| 1 | 1 | 381004024/0 | Black Deck | |
| 1 | 1 | 381004729/0 | Grey Deck | |
| 2 | 1 | 322108301/1 | Front Conveyor Assy | |
| 3 | 6 | 112728699/0 | Screw | |
| 4 | 1 | 322108302/0 | Rear Conveyor Assy | |
| 5 | 6 | 112728699/0 | Screw | |
| 6 | 2 | 322545213/0 | Plate | |
| 7 | 1 | 381005139/0 | Left Bracket | |
| 8 | 6 | 112727801/0 | Screw | |
| 9 | 1 | 381005137/0 | Right Bracket | |
| 10 | 1 | 322060242/0 | Belt Protection | |
| 11 | 1 | 322140239/0 | Mulching Deflector | |
| 12 | 2 | 112728530/0 | Screw | |

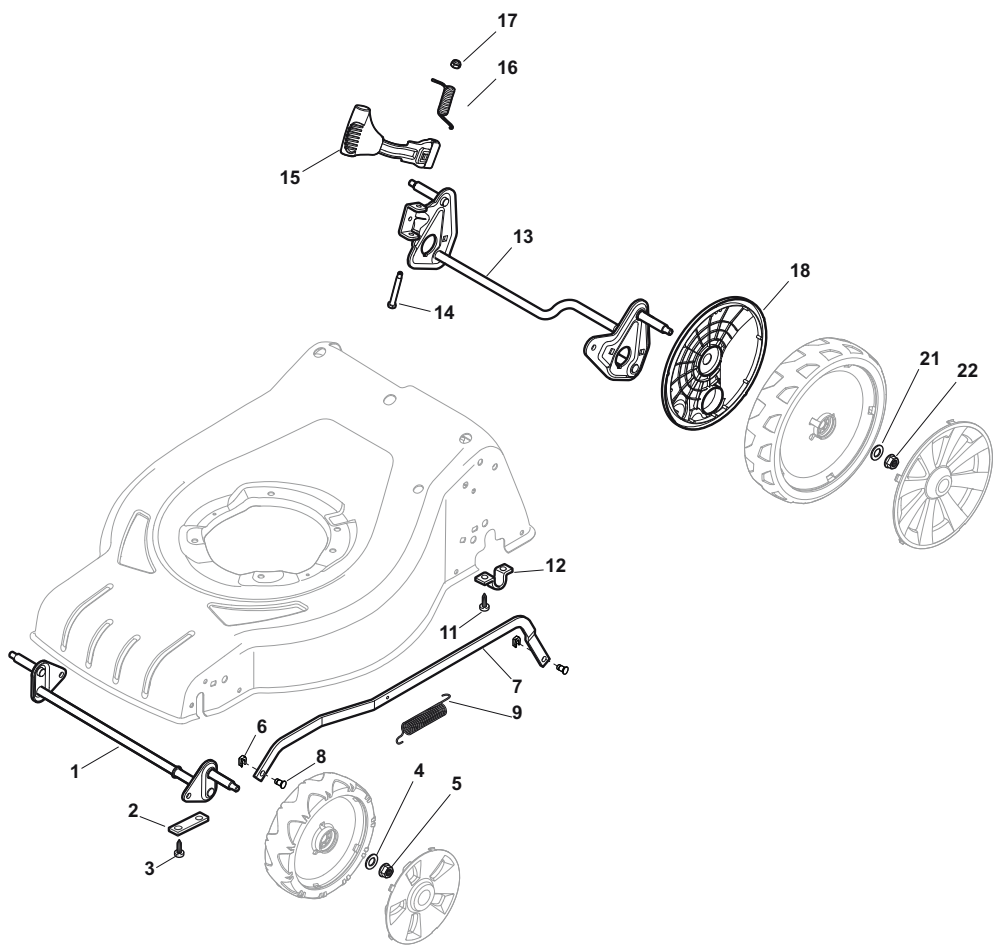


CRL-CSL 480 WS - CRL-CSL 480 WSQ

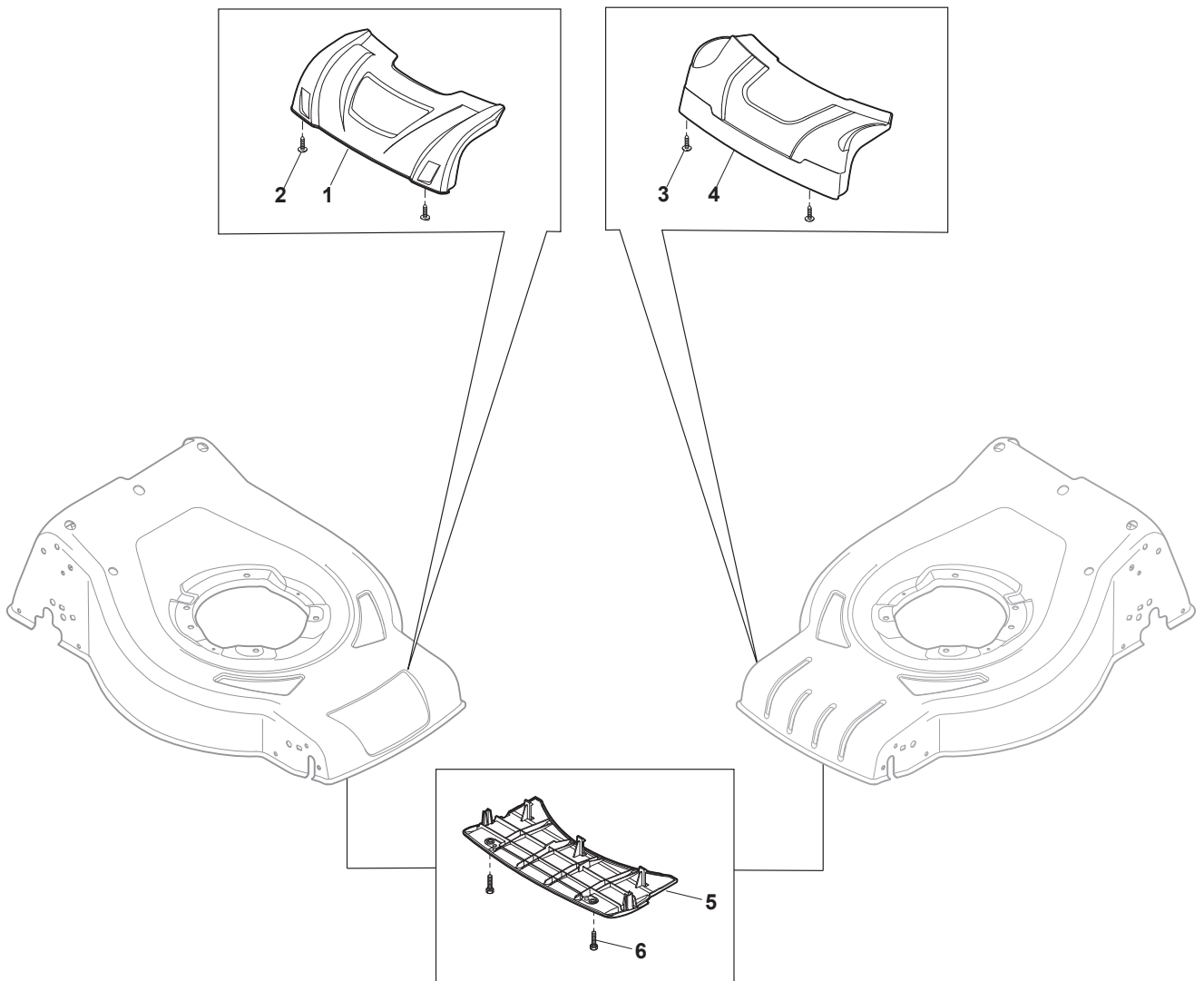
WBH Electric steel Deck

Issue 7 - 2015

| Fig. | Quantity | Part No | Description | Notes |
|------|----------|-------------|---------------------|-------|
| 1 | 1 | 381004020/0 | Red Deck | |
| 1 | 1 | 381004051/0 | Black Deck | |
| 2 | 1 | 322108301/1 | Front Conveyor Assy | |
| 3 | 6 | 112728699/0 | Screw | |
| 4 | 1 | 322108302/0 | Rear Conveyor Assy | |
| 5 | 6 | 112728699/0 | Screw | |
| 6 | 2 | 322545213/0 | Plate | |
| 7 | 1 | 381005139/0 | Left Bracket | |
| 8 | 6 | 112727801/0 | Screw | |
| 9 | 1 | 381005137/0 | Right Bracket | |
| 10 | 1 | 322060242/0 | Belt Protection | |
| 11 | 1 | 322140239/0 | Mulching Deflector | |
| 12 | 2 | 112728530/0 | Screw | |



| Fig. | Quantity | Part No | Description | Notes |
|------|----------|-------------|---------------------------|-------|
| 1 | 1 | 381302821/0 | Front Wheel Axle | |
| 2 | 2 | 322545142/0 | Plate | |
| 3 | 4 | 112728698/0 | Screw | |
| 4 | 2 | 112521350/0 | Washer | |
| 5 | 2 | 112155000/0 | Nut | |
| 6 | 2 | 112436051/0 | Plate | |
| 7 | 1 | 322869673/0 | Rod, Height Adjustment | |
| 8 | 2 | 122519820/0 | Pin | |
| 9 | 1 | 122446193/0 | Spring | |
| 11 | 4 | 112728698/0 | Screw | |
| 12 | 2 | 322545152/0 | Plate | |
| 13 | 1 | 381302817/0 | Rear Wheel Axle | |
| 14 | 1 | 122534131/0 | Pin | |
| 15 | 1 | 381003357/0 | Wheels Rear Adj. Lever | |
| 16 | 1 | 122446192/0 | Spring | |
| 17 | 1 | 112154510/0 | Nut | |
| 18 | 2 | 322600205/0 | Internal Wheel Protection | |
| 21 | 2 | 112521350/0 | Washer | |
| 22 | 2 | 112155000/0 | Nut | |

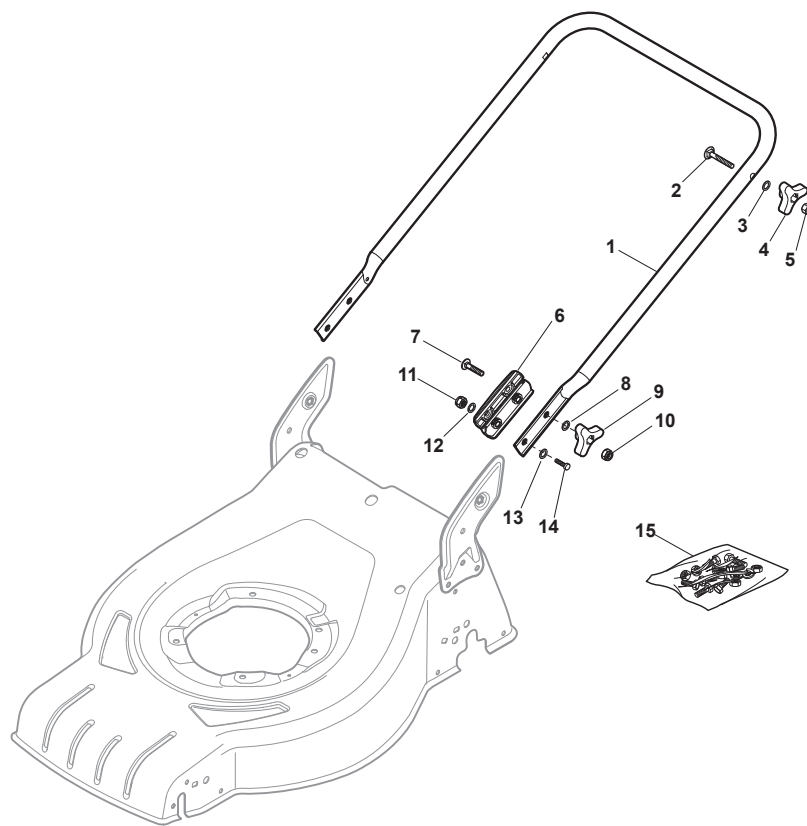


CRL-CSL 480 WS - CRL-CSL 480 WSQ

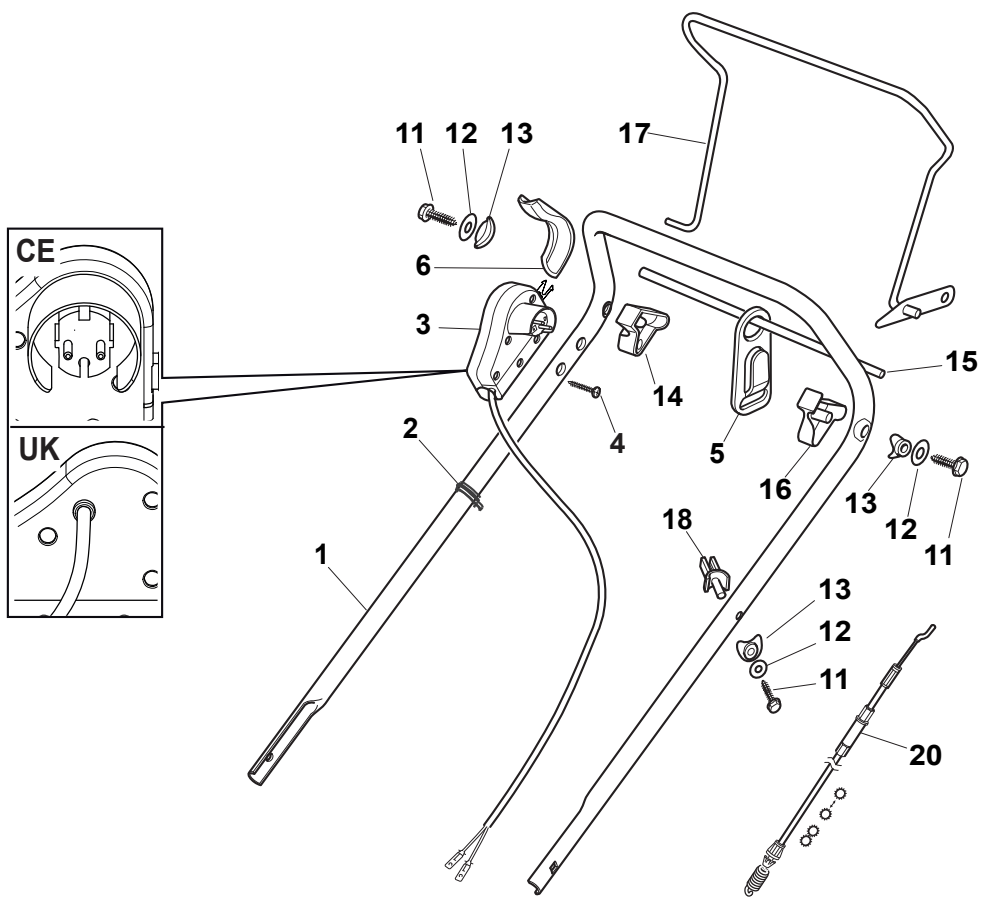
WBH Electric steel Mask

Issue 7 - 2015

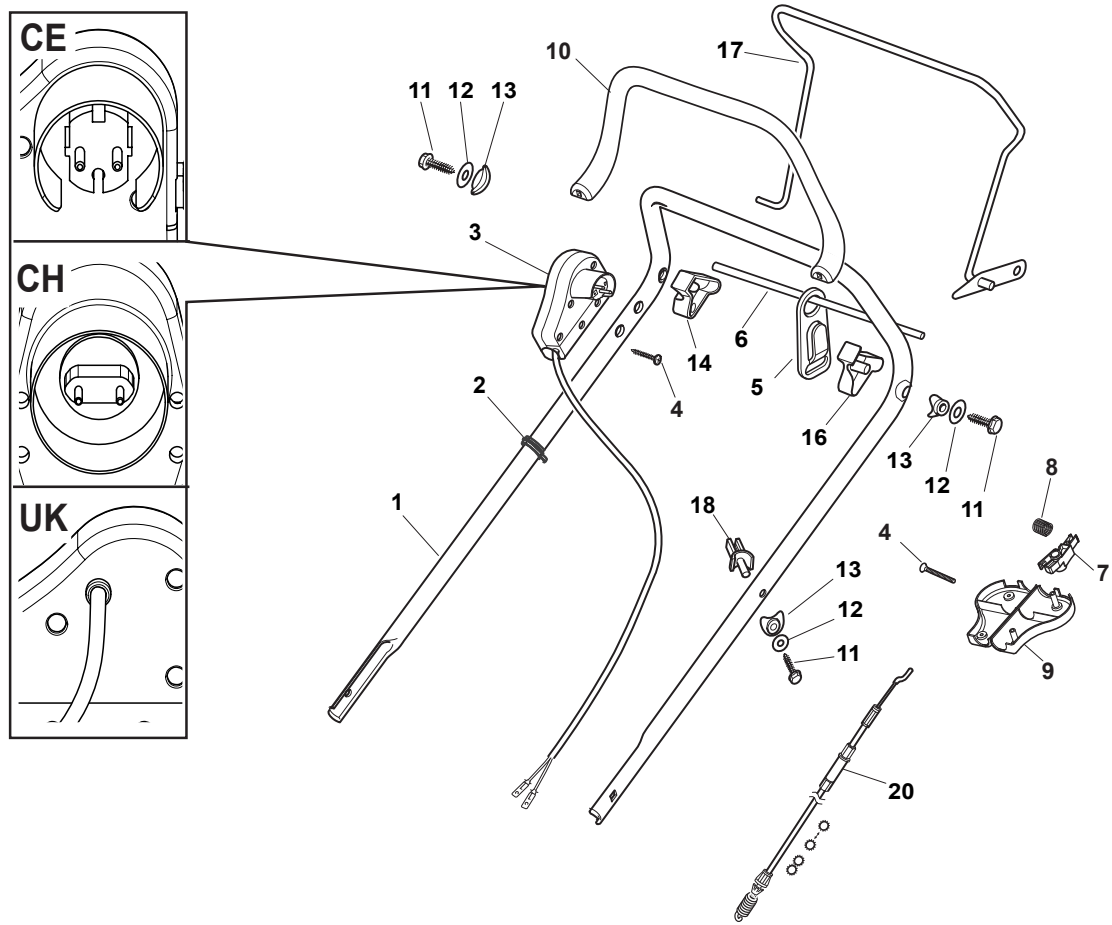
| Fig. | Quantity | Part No | Description | Notes |
|------|----------|-------------|-------------|-------|
| 1 | 1 | 322226168/0 | Mask, Black | |
| 2 | 2 | 112728698/0 | Screw | |
| 3 | 2 | 112728698/0 | Screw | |
| 4 | 1 | 322226170/0 | Mask, Black | |
| 5 | 1 | 322500106/0 | Front Combi | |
| 6 | 2 | 112728698/0 | Screw | |



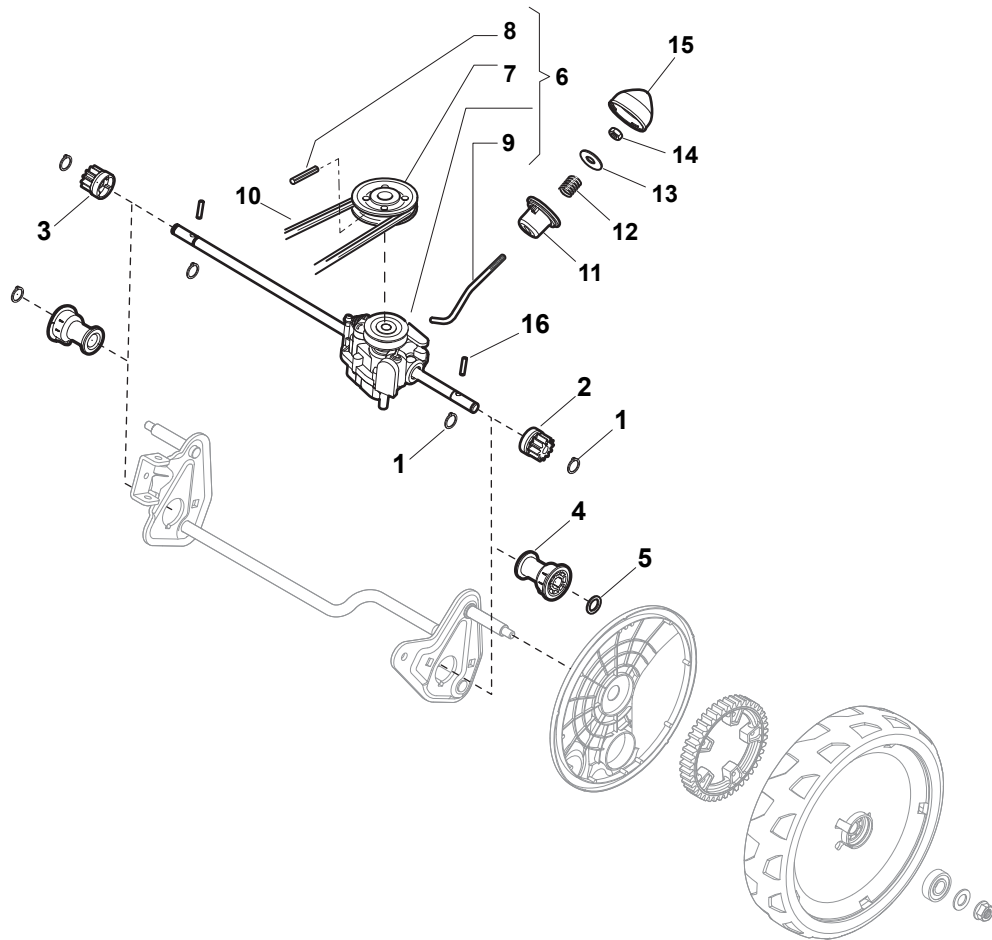
| Fig. | Quantity | Part No | Description | Notes |
|------|----------|-------------|--------------------------|--------|
| 2 | 2 | 112819110/0 | Screw | |
| 3 | 2 | 112523060/0 | Washer | |
| 4 | 2 | 122399900/0 | Knob | Black |
| 4 | 2 | 322399840/0 | Yellow Knob | Yellow |
| 5 | 2 | 112293200/0 | Nut | |
| 6 | 2 | 322551582/0 | Inside Plaque Insulation | |
| 7 | 2 | 112819110/0 | Screw | |
| 8 | 2 | 112523060/0 | Washer | |
| 9 | 2 | 122399900/0 | Knob | Black |
| 9 | 2 | 322399840/0 | Yellow Knob | Yellow |
| 10 | 2 | 112293200/0 | Nut | |
| 11 | 2 | 112155000/0 | Nut | |
| 12 | 2 | 112521350/0 | Washer | |
| 13 | 2 | 112521350/0 | Washer | |
| 14 | 2 | 112793701/0 | Screw | |
| 15 | 1 | 381008698/0 | Outfit, Screws | Black |
| 15 | 1 | 381008699/0 | Outfit, Screws | Yellow |
| 1 | 1 | 381006735/0 | Handle Lower Part | |



| Fig. | Quantity | Part No | Description | Notes |
|------|----------|-------------|---------------------|-------|
| 1 | 1 | 381006603/0 | Handle, Upper Part | |
| 2 | 2 | 122192000/1 | Clamp | |
| 3 | 1 | 381600547/0 | Dead Hand Switch CE | (CE) |
| 3 | 1 | 381600548/0 | Dead Hand Switch UK | (UK) |
| 4 | 2 | 112728701/0 | Screw | |
| 5 | 1 | 322195101/4 | Fairlead | |
| 6 | 1 | 322319529/0 | Leva Salvamotore | |
| 11 | 3 | 112735103/0 | Screw | |
| 12 | 3 | 112523040/0 | Washer | |
| 13 | 3 | 122680006/1 | Washer | |
| 14 | 1 | 322806518/2 | Lever Support Right | |
| 15 | 1 | 122020320/0 | Fairlead Bearing | |
| 16 | 1 | 322806519/2 | Lever Support Left | |
| 17 | 1 | 181001245/1 | Driving Lever | |
| 18 | 1 | 122806520/0 | Support, Adjuster | |
| 20 | 1 | 381030012/0 | Cable Rear Drive | |
| CE | 1 | 381600547/0 | Dead Hand Switch CE | |
| UK | 1 | 381600548/0 | Dead Hand Switch UK | |



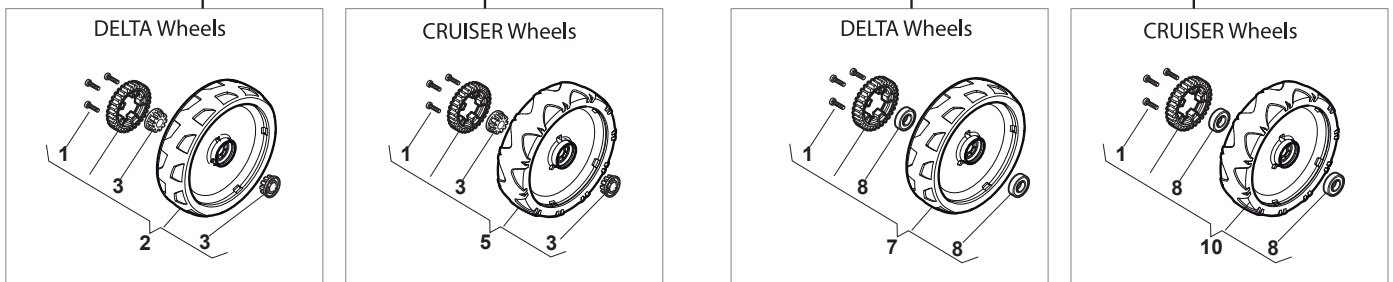
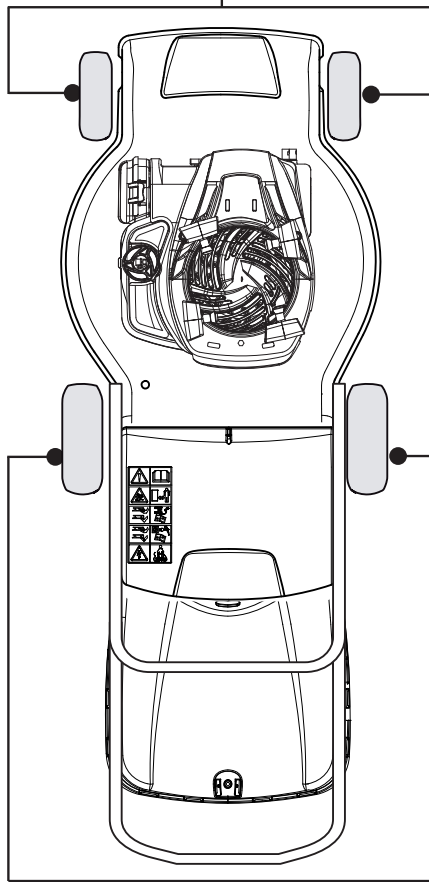
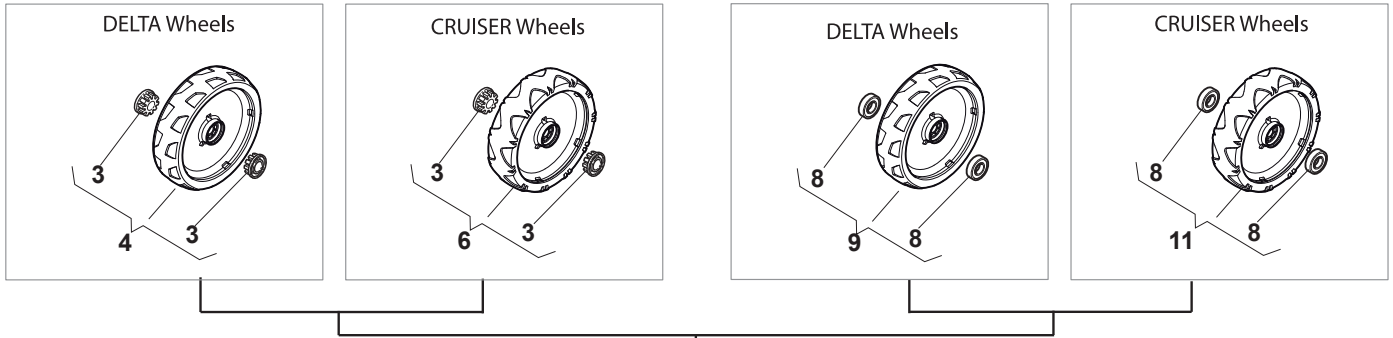
| Fig. | Quantity | Part No | Description | Notes |
|------|----------|-------------|----------------------------|-------|
| 3 | 1 | 381600547/0 | Dead Hand Switch CE | (CE) |
| 3 | 1 | 381600548/0 | Dead Hand Switch UK | (UK) |
| 1 | 1 | 381006603/0 | Handle, Upper Part | |
| 2 | 2 | 122192000/1 | Clamp | |
| 4 | 4 | 112728701/0 | Screw | |
| 5 | 1 | 322195101/4 | Fairlead | |
| 6 | 1 | 122010251/0 | Hook | |
| 7 | 1 | 322230350/1 | Left Fulcrum | |
| 8 | 1 | 122450115/0 | Spring | |
| 9 | 1 | 322785144/1 | Support | |
| 10 | 1 | 322322881/1 | Lever, Engine Brake Black | |
| 10 | 1 | 322322884/1 | Lever, Engine Brake Red | |
| 10 | 1 | 322322885/1 | Lever, Engine Brake Yellow | |
| 11 | 3 | 112735103/0 | Screw | |
| 12 | 3 | 112523040/0 | Washer | |
| 13 | 3 | 122680006/1 | Washer | |
| 14 | 1 | 322806518/2 | Lever Support Right | |
| 16 | 1 | 322806519/2 | Lever Support Left | |
| 17 | 1 | 181001245/1 | Driving Lever | |
| 18 | 1 | 122806520/0 | Support, Adjuster | |
| 20 | 1 | 381030012/0 | Cable Rear Drive | |
| CE | 1 | 381600547/0 | Dead Hand Switch CE | |
| UK | 1 | 381600548/0 | Dead Hand Switch UK | |



| Fig. | Quantity | Part No | Description | Notes |
|------|----------|-------------|------------------|-------|
| 1 | 4 | 112608600/0 | Seeger | |
| 2 | 1 | 122570120/1 | Pinion Left | |
| 3 | 1 | 122570110/1 | Pinion Right | |
| 4 | 2 | 322042066/0 | Bushing | |
| 5 | 2 | 112521371/0 | Washer | |
| 6 | 1 | 181003092/0 | Gear Box | |
| 7 | 1 | 122601904/0 | Pulley | |
| 8 | 1 | 112645700/0 | Elastic Pin | |
| 9 | 1 | 122033283/0 | Adjustment Rod | |
| 10 | 1 | 135063800/0 | Trapezoidal Belt | |
| 11 | 1 | 122041957/1 | Bushing | |
| 12 | 1 | 122450063/0 | Spring | |
| 13 | 1 | 322680009/0 | Washer | |
| 14 | 1 | 112154510/0 | Nut | |
| 15 | 1 | 122110230/0 | Hub Cover | |
| 16 | 2 | 122753000/0 | Pin | |

Bushing - Ø180

Ball Bearing - Ø180



Bushing - Ø240

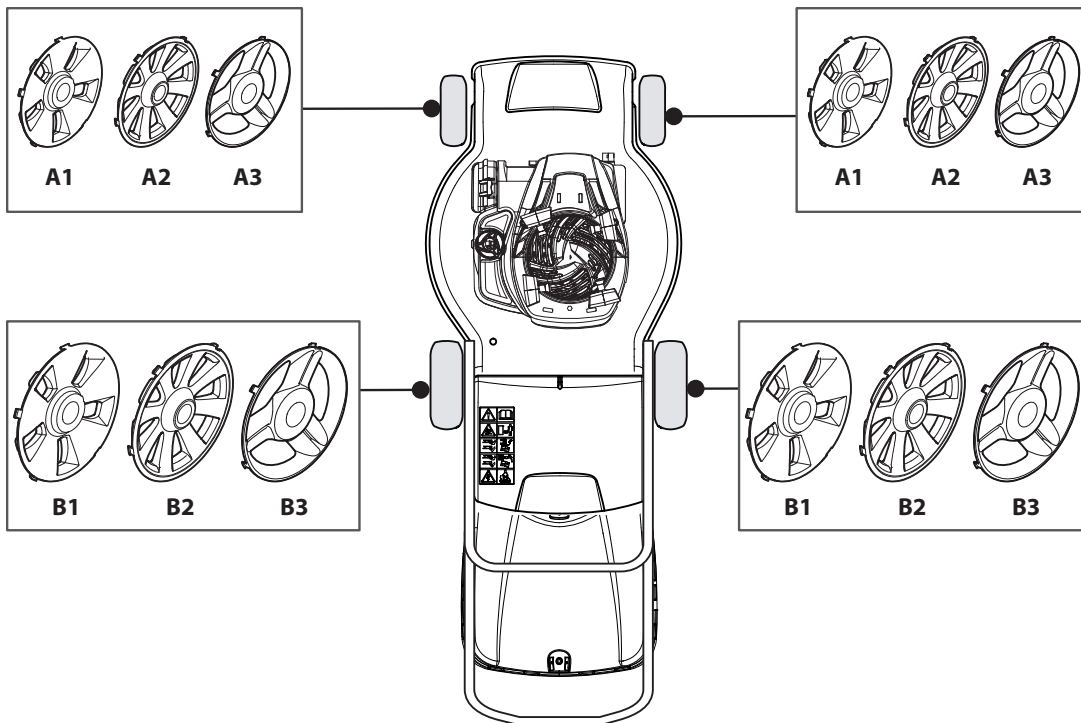
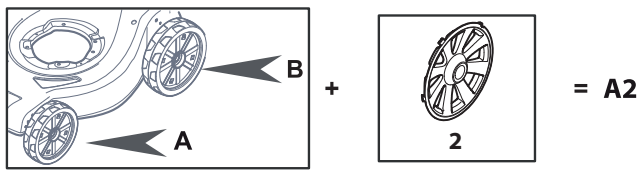
Ball Bearing - Ø240

CRL-CSL 480 WS - CRL-CSL 480 WSQ

WBH Electric steel Wheels and Hub Caps

Issue 7 - 2015

| Fig. | Quantity | Part No | Description | Notes |
|------|----------|-------------|-------------|-------|
| 1 | 6 | 112728706/0 | Screw | |
| 2 | 2 | 381007462/1 | Wheel | |
| 3 | 8 | 322042064/0 | Bushing | |
| 4 | 2 | 381007442/1 | Wheel | |
| 5 | 2 | 381007466/1 | Wheel | |
| 6 | 2 | 381007445/1 | Wheel | |
| 7 | 2 | 381007463/1 | Wheel | |
| 8 | 8 | 119216035/0 | Bearing | |
| 9 | 2 | 381007448/1 | Wheel | |
| 10 | 2 | 381007467/1 | Wheel | |
| 11 | 2 | 381007455/1 | Wheel | |

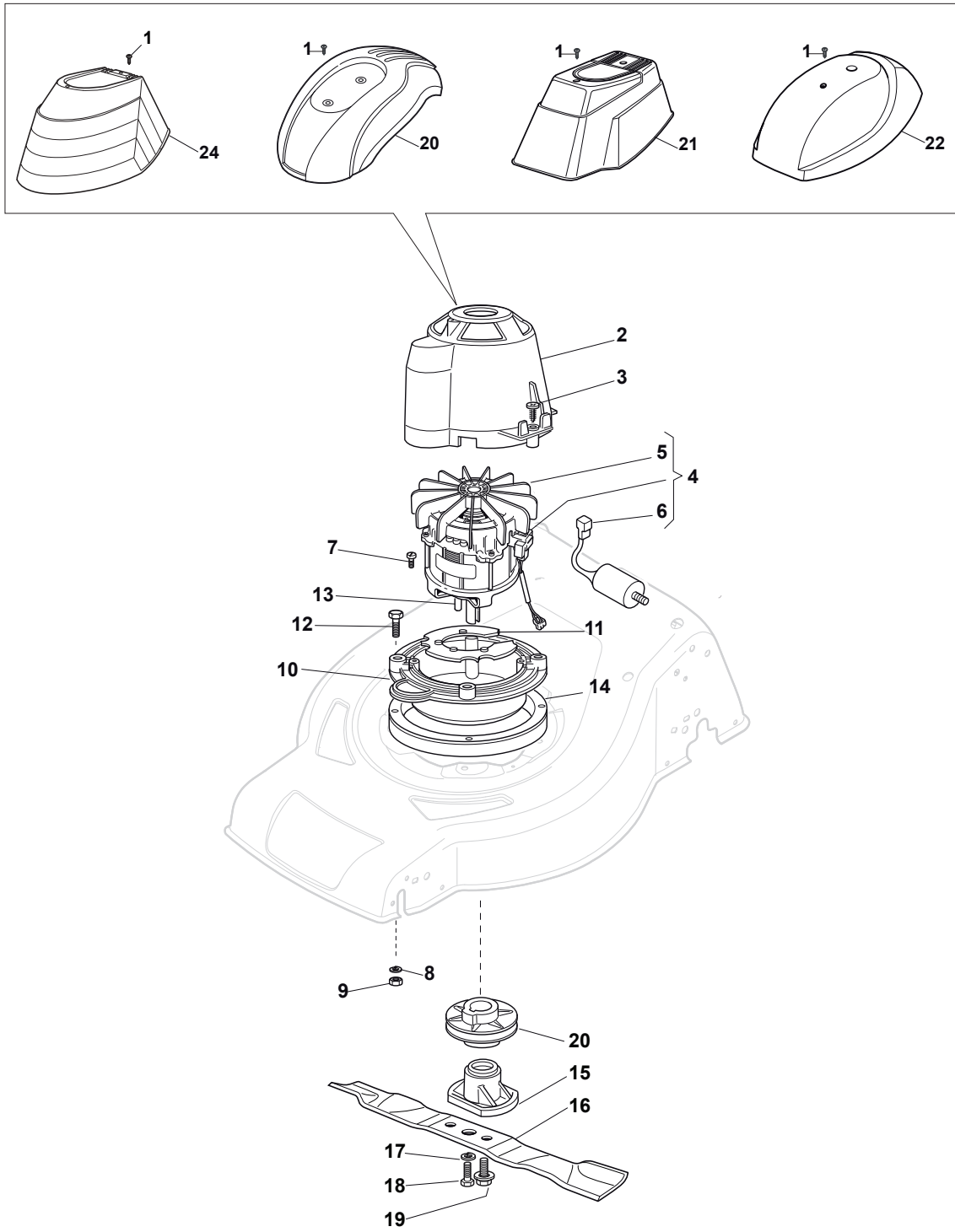


CRL-CSL 480 WS - CRL-CSL 480 WSQ

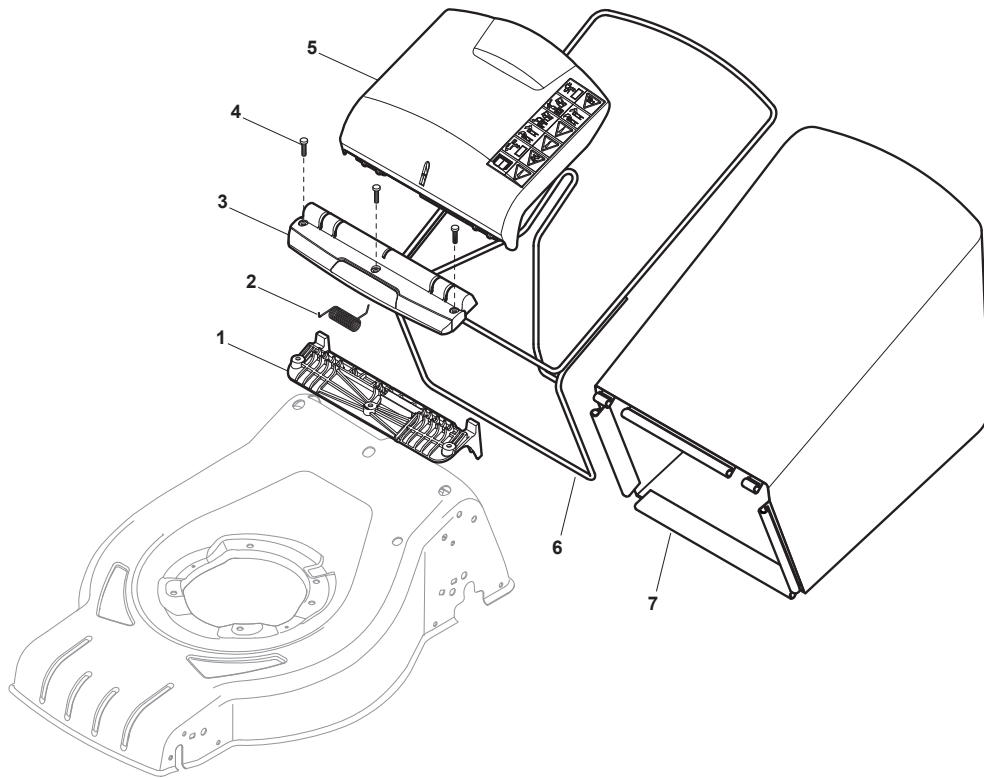
WBH Electric steel Wheelcaps

Issue 7 - 2015

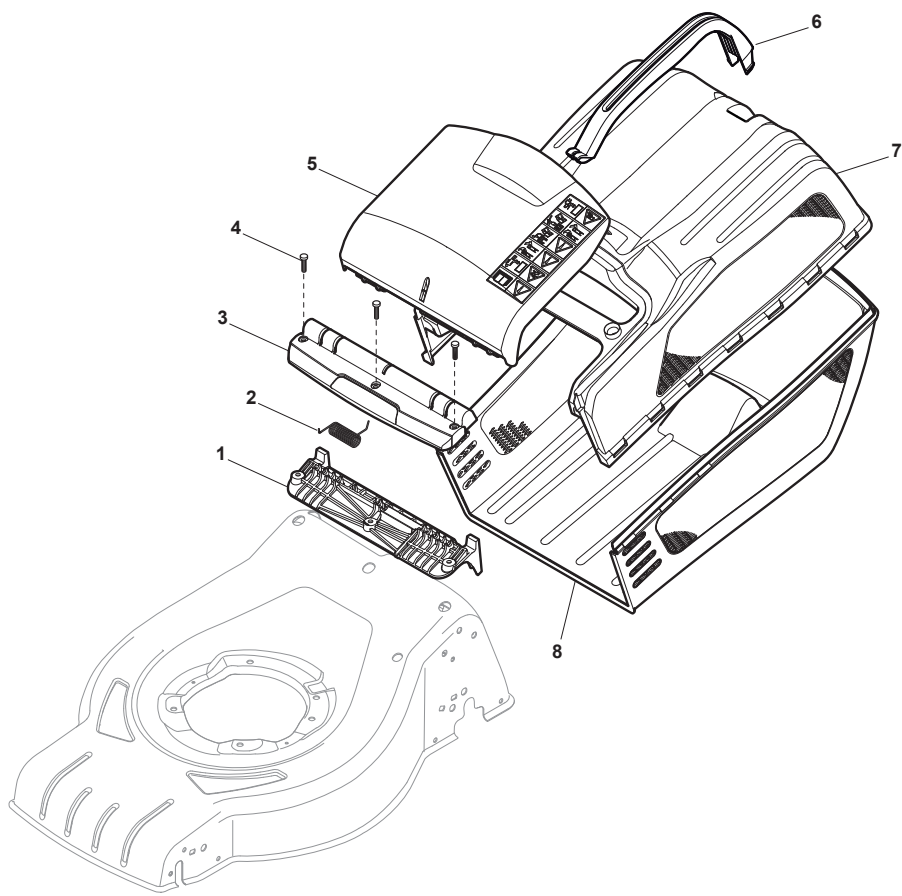
| Fig. | Quantity | Part No | Description | Notes |
|------|----------|-------------|----------------|-------|
| A1 | 2 | 322110636/0 | Hub Cap Grey | |
| B1 | 2 | 322110637/0 | Hub Cap Grey | |
| A2 | 2 | 322110638/0 | Hub Cap Grey | |
| A2 | 2 | 322110647/0 | Hub Cap Yellow | |
| B2 | 2 | 322110648/0 | Hub Cap Yellow | |
| B2 | 2 | 322110639/0 | Hub Cap Grey | |
| A3 | 2 | 322110687/0 | Hub Cap Grey | |
| B3 | 2 | 322110689/0 | Hub Cap Grey | |



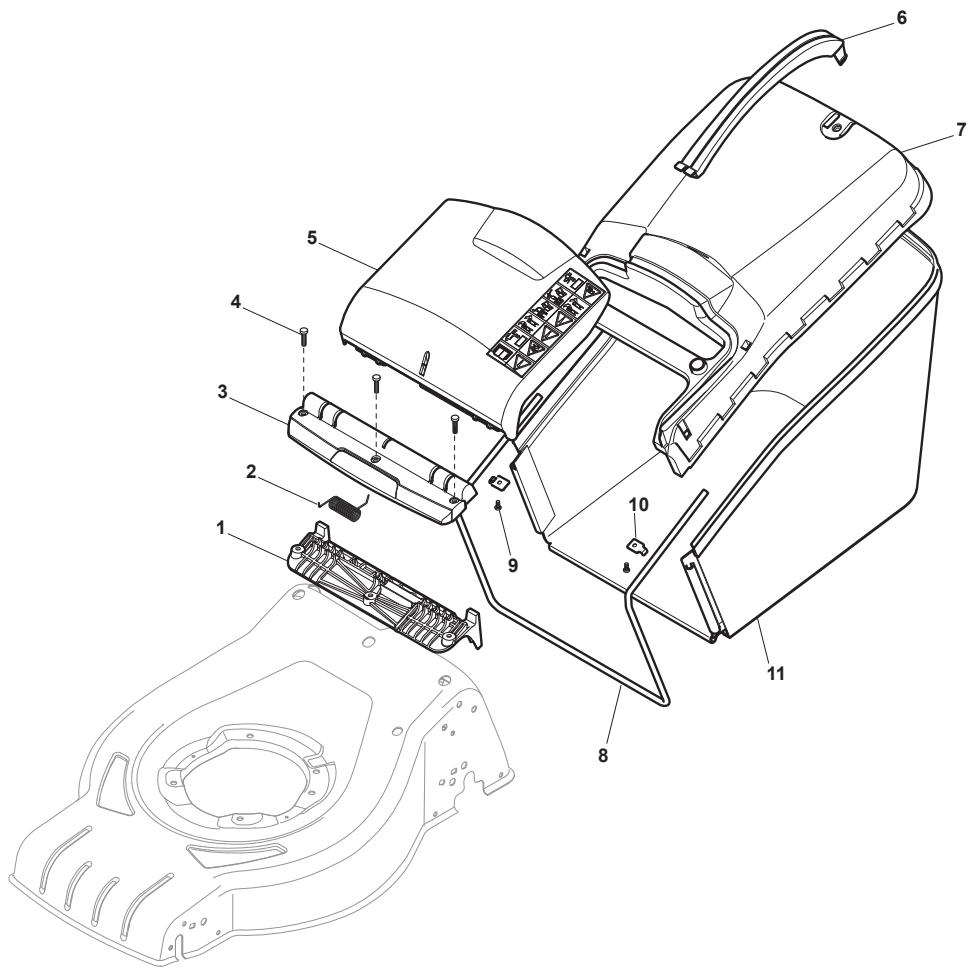
| Fig. | Quantity | Part No | Description | Notes |
|------|----------|-------------|--------------------------------------|-------|
| 1 | 2 | 112728680/0 | Screw | |
| 2 | 1 | 322785210/0 | Cover Support | |
| 3 | 4 | 112728710/0 | Screw | |
| 4 | 1 | 118563641/1 | Electric Motor 1800W | |
| 5 | 1 | 118740054/0 | Fan Motor Atb | |
| 6 | 1 | 118222039/0 | Condenser | |
| 7 | 4 | 112735410/0 | Screw | |
| 8 | 4 | 112583500/0 | Grower | |
| 9 | 4 | 112293200/0 | Nut | |
| 10 | 1 | 322207211/4 | Electrical Motor Flange | |
| 11 | 1 | 322720360/2 | Ventilation Screen | |
| 12 | 4 | 112691800/0 | Screw | |
| 13 | 1 | 112139440/0 | Key | |
| 14 | 1 | 322170960/1 | Spacer | |
| 15 | 1 | 322463186/3 | Blade Hub | |
| 16 | 1 | 181004346/3 | Blade | |
| 16 | 1 | 181004397/0 | Blade Winged | |
| 17 | 2 | 112583500/0 | Grower | |
| 18 | 2 | 112793101/0 | Screw | |
| 19 | 1 | 381004352/1 | Screw | |
| 20 | 1 | 322601911/1 | Pulley | |
| 21 | 1 | 122055065/0 | Electric Lawnmowers Ciao Cover Black | |
| 22 | 1 | 122055045/1 | Cover, Black | |
| 22 | 1 | 322055139/0 | Cover, Yellow | |
| 23 | 1 | 122055058/0 | Cover, Black | |
| 24 | 1 | 122055033/1 | Engine Cover | |



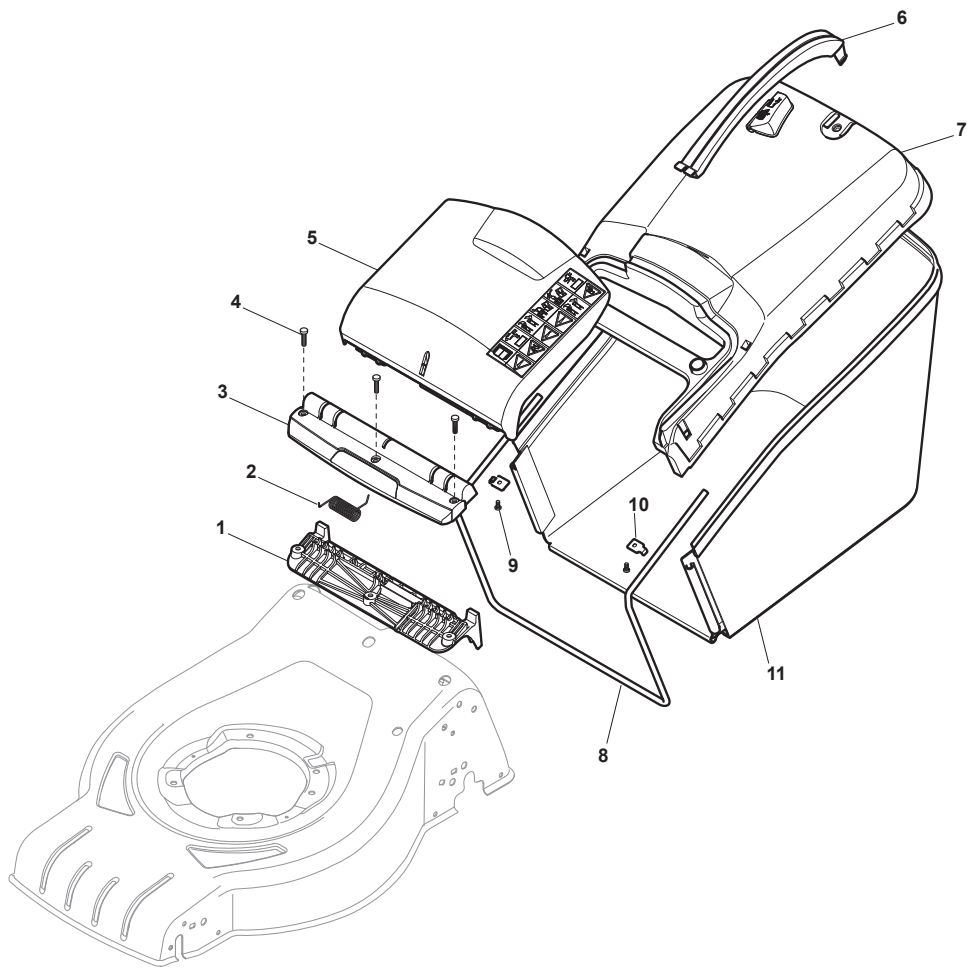
| Fig. | Quantity | Part No | Description | Notes |
|------|----------|-------------|--------------------------------|--------|
| 1 | 1 | 322785331/0 | Black Stone Guard Support | |
| 2 | 1 | 122450464/0 | Spring | |
| 3 | 1 | 322109554/0 | Stone Guard Supp. Cover Black | Black |
| 3 | 1 | 322109557/0 | Stone Guard Supp. Cover Grey | Grey |
| 3 | 1 | 322109556/0 | Stone Guard Supp. Cover Yellow | Yellow |
| 4 | 3 | 112728699/0 | Screw | |
| 5 | 1 | 322600216/1 | Stone Guard, Grey | |
| 5 | 1 | 322600214/1 | Stone Guard, Yellow | |
| 5 | 1 | 322600206/1 | Stone Guard, Black | Black |
| 6 | 1 | 181006409/0 | Textile Grasscatcher Frame | |
| 7 | 1 | 181002319/0 | Textile Grasscatcher Black | |



| Fig. | Quantity | Part No | Description | Notes |
|------|----------|-------------|--------------------------------|-------------|
| 1 | 1 | 322785331/0 | Black Stone Guard Support | |
| 2 | 1 | 122450464/0 | Spring | |
| 3 | 1 | 322109554/0 | Stone Guard Supp. Cover Black | Black |
| 3 | 1 | 322109557/0 | Stone Guard Supp. Cover Grey | Grey |
| 3 | 1 | 322109556/0 | Stone Guard Supp. Cover Yellow | Yellow |
| 4 | 3 | 112728699/0 | Screw | |
| 5 | 1 | 322600206/1 | Stone Guard, Black | Black |
| 5 | 1 | 322600216/1 | Stone Guard, Grey | Grey |
| 5 | 1 | 322600214/1 | Stone Guard, Yellow | Yellow |
| 6 | 1 | 322393643/0 | Handle, Black | Black |
| 6 | 1 | 322393645/0 | Grasscatcher Handle | Grey |
| 6 | 1 | 322393716/0 | Handle, Grey | Grey NCSS-N |
| 7 | 1 | 322486260/0 | Grasscatcher Upper Part, Black | Black |
| 7 | 1 | 322486263/0 | Grasscatcher Upper Part Grey | Grey |
| 7 | 1 | 322486387/0 | Grassbox Upper Part, Grey | Grey NCSS-N |
| 8 | 1 | 322486261/0 | Grasscatcher Lower Part, Black | Black |
| 8 | 1 | 322486267/0 | Grasscatcher Lower Part Grey | Grey |
| 8 | 1 | 322486388/0 | Grassbox Lower Part, Grey | Grey NCSS-N |



| Fig. | Quantity | Part No | Description | Notes |
|------|----------|-------------|---------------------------------------|--------|
| 1 | 1 | 322785331/0 | Black Stone Guard Support | |
| 10 | 2 | 322545159/0 | Plate | |
| 11 | 1 | 181002318/0 | Box, Fabric | |
| 2 | 1 | 122450464/0 | Spring | |
| 3 | 1 | 322109554/0 | Stone Guard Supp. Cover Black | Black |
| 3 | 1 | 322109557/0 | Stone Guard Supp. Cover Grey | Grey |
| 3 | 1 | 322109556/0 | Stone Guard Supp. Cover Yellow | Yellow |
| 4 | 3 | 112728699/0 | Screw | |
| 5 | 1 | 322600206/1 | Stone Guard, Black | Black |
| 5 | 1 | 322600216/1 | Stone Guard, Grey | Grey |
| 5 | 1 | 322600214/1 | Stone Guard, Yellow | Yellow |
| 6 | 1 | 322393644/0 | Handle, Black | Black |
| 6 | 1 | 322393649/0 | Handle, Grey | Grey |
| 6 | 1 | 322393646/0 | Handle, Yellow | Yellow |
| 7 | 7 | 322486262/0 | Grasscatcher Upper Part, Black | Black |
| 7 | 1 | 322486270/0 | Grass Upper Hybrid Grey | Grey |
| 7 | 1 | 322486264/0 | Grass Upper Hybrid Yellow | Yellow |
| 8 | 1 | 122608561/0 | Grasscatcher Lower Stiffening Cruiser | |
| 9 | 2 | 112728692/0 | Screw | |



| Fig. | Quantity | Part No | Description | Notes |
|------|----------|--------------|---------------------------------------|-------------|
| 1 | 1 | 322785331/0 | Black Stone Guard Support | |
| 10 | 2 | 322545159/0 | Plate | |
| 11 | 1 | 181002318/0 | Box, Fabric | |
| 2 | 1 | 122450464/0 | Spring | |
| 3 | 1 | 322109554/0 | Stone Guard Supp. Cover Black | Black |
| 3 | 1 | 322109556/0 | Stone Guard Supp. Cover Yellow | Yellow |
| 4 | 3 | 112728699/0 | Screw | |
| 5 | 1 | 322600206/1 | Stone Guard, Black | Black |
| 5 | 1 | 322600214/1 | Stone Guard, Yellow | Yellow |
| 6 | 1 | 322393644/0 | Handle, Black | Black |
| 6 | 1 | 322393715/0 | Handle, Grey | Grey NCSS-N |
| 6 | 1 | 322393646/0 | Handle, Yellow | Yellow |
| 7 | 1 | 381486018/0 | Grass-Box, Upper Part Black | Black |
| 7 | 1 | 381486016/0A | Grass-Box, Upper Part Yellow | Yellow |
| 8 | 1 | 122608561/0 | Grasscatcher Lower Stiffening Cruiser | |
| 9 | 2 | 112728692/0 | Screw | |

| | | | | | | | | | | | |
|-------------|----|---|-------|-------------|----|---|-------|-------------|----|---|-------|
| 112139440/0 | 13 | 1 | p. 23 | 122055065/0 | 21 | 1 | p. 23 | 322170960/1 | 14 | 1 | p. 23 |
| 112154510/0 | 14 | 1 | p. 17 | 122110230/0 | 15 | 1 | p. 17 | 322195101/4 | 5 | 1 | p. 13 |
| 112154510/0 | 17 | 1 | p. 7 | 122192000/1 | 2 | 2 | p. 13 | 322195101/4 | 5 | 1 | p. 15 |
| 112155000/0 | 5 | 2 | p. 7 | 122192000/1 | 2 | 2 | p. 15 | 322207211/4 | 10 | 1 | p. 23 |
| 112155000/0 | 11 | 2 | p. 11 | 122399900/0 | 4 | 2 | p. 11 | 322226168/0 | 1 | 1 | p. 9 |
| 112155000/0 | 22 | 2 | p. 7 | 122399900/0 | 9 | 2 | p. 11 | 322226170/0 | 4 | 1 | p. 9 |
| 112293200/0 | 5 | 2 | p. 11 | 122446192/0 | 16 | 1 | p. 7 | 322230350/1 | 7 | 1 | p. 15 |
| 112293200/0 | 9 | 4 | p. 23 | 122446193/0 | 9 | 1 | p. 7 | 322319529/0 | 6 | 1 | p. 13 |
| 112293200/0 | 10 | 2 | p. 11 | 122450063/0 | 12 | 1 | p. 17 | 322322881/1 | 10 | 1 | p. 15 |
| 112436051/0 | 6 | 2 | p. 7 | 122450115/0 | 8 | 1 | p. 15 | 322322884/1 | 10 | 1 | p. 15 |
| 112521350/0 | 4 | 2 | p. 7 | 122450464/0 | 2 | 1 | p. 25 | 322322885/1 | 10 | 1 | p. 15 |
| 112521350/0 | 12 | 2 | p. 11 | 122450464/0 | 2 | 1 | p. 27 | 322393643/0 | 6 | 1 | p. 27 |
| 112521350/0 | 13 | 2 | p. 11 | 122450464/0 | 2 | 1 | p. 29 | 322393644/0 | 6 | 1 | p. 29 |
| 112521350/0 | 21 | 2 | p. 7 | 122450464/0 | 2 | 1 | p. 31 | 322393644/0 | 6 | 1 | p. 31 |
| 112521371/0 | 5 | 2 | p. 17 | 122519820/0 | 8 | 2 | p. 7 | 322393645/0 | 6 | 1 | p. 27 |
| 112523040/0 | 12 | 3 | p. 13 | 122534131/0 | 14 | 1 | p. 7 | 322393646/0 | 6 | 1 | p. 29 |
| 112523040/0 | 12 | 3 | p. 15 | 122570110/1 | 3 | 1 | p. 17 | 322393646/0 | 6 | 1 | p. 31 |
| 112523060/0 | 3 | 2 | p. 11 | 122570120/1 | 2 | 1 | p. 17 | 322393649/0 | 6 | 1 | p. 29 |
| 112523060/0 | 8 | 2 | p. 11 | 122601904/0 | 7 | 1 | p. 17 | 322393715/0 | 6 | 1 | p. 31 |
| 112583500/0 | 8 | 4 | p. 23 | 122608561/0 | 8 | 1 | p. 29 | 322393716/0 | 6 | 1 | p. 27 |
| 112583500/0 | 17 | 2 | p. 23 | 122608561/0 | 8 | 1 | p. 31 | 322399840/0 | 4 | 2 | p. 11 |
| 112608600/0 | 1 | 4 | p. 17 | 122680006/1 | 13 | 3 | p. 13 | 322399840/0 | 9 | 2 | p. 11 |
| 112645700/0 | 8 | 1 | p. 17 | 122680006/1 | 13 | 3 | p. 15 | 322463186/3 | 15 | 1 | p. 23 |
| 112691800/0 | 12 | 4 | p. 23 | 122753000/0 | 16 | 2 | p. 17 | 322486260/0 | 7 | 1 | p. 27 |
| 112727801/0 | 8 | 6 | p. 3 | 122806520/0 | 18 | 1 | p. 13 | 322486261/0 | 8 | 1 | p. 27 |
| 112727801/0 | 8 | 6 | p. 5 | 122806520/0 | 18 | 1 | p. 15 | 322486262/0 | 7 | 7 | p. 29 |
| 112728530/0 | 12 | 2 | p. 3 | 135063800/0 | 10 | 1 | p. 17 | 322486263/0 | 7 | 1 | p. 27 |
| 112728530/0 | 12 | 2 | p. 5 | 181001245/1 | 17 | 1 | p. 13 | 322486264/0 | 7 | 1 | p. 29 |
| 112728680/0 | 1 | 2 | p. 23 | 181001245/1 | 17 | 1 | p. 15 | 322486267/0 | 8 | 1 | p. 27 |
| 112728692/0 | 9 | 2 | p. 29 | 181002318/0 | 11 | 1 | p. 29 | 322486270/0 | 7 | 1 | p. 29 |
| 112728692/0 | 9 | 2 | p. 31 | 181002318/0 | 11 | 1 | p. 31 | 322486387/0 | 7 | 1 | p. 27 |
| 112728698/0 | 2 | 2 | p. 9 | 181002319/0 | 7 | 1 | p. 25 | 322486388/0 | 8 | 1 | p. 27 |
| 112728698/0 | 3 | 2 | p. 9 | 181003092/0 | 6 | 1 | p. 17 | 322500106/0 | 5 | 1 | p. 9 |
| 112728698/0 | 3 | 4 | p. 7 | 181004346/3 | 16 | 1 | p. 23 | 322545142/0 | 2 | 2 | p. 7 |
| 112728698/0 | 6 | 2 | p. 9 | 181004397/0 | 16 | 1 | p. 23 | 322545152/0 | 12 | 2 | p. 7 |
| 112728698/0 | 11 | 4 | p. 7 | 181006409/0 | 6 | 1 | p. 25 | 322545159/0 | 10 | 2 | p. 29 |
| 112728699/0 | 3 | 6 | p. 3 | 322042064/0 | 3 | 8 | p. 19 | 322545159/0 | 10 | 2 | p. 31 |
| 112728699/0 | 3 | 6 | p. 5 | 322042066/0 | 4 | 2 | p. 17 | 322545213/0 | 6 | 2 | p. 3 |
| 112728699/0 | 4 | 3 | p. 25 | 322055139/0 | 22 | 1 | p. 23 | 322545213/0 | 6 | 2 | p. 5 |
| 112728699/0 | 4 | 3 | p. 27 | 322060242/0 | 10 | 1 | p. 3 | 322551582/0 | 6 | 2 | p. 11 |
| 112728699/0 | 4 | 3 | p. 29 | 322060242/0 | 10 | 1 | p. 5 | 322600205/0 | 18 | 2 | p. 7 |
| 112728699/0 | 4 | 3 | p. 31 | 322108301/1 | 2 | 1 | p. 3 | 322600206/1 | 5 | 1 | p. 25 |
| 112728699/0 | 5 | 6 | p. 3 | 322108301/1 | 2 | 1 | p. 5 | 322600206/1 | 5 | 1 | p. 27 |
| 112728699/0 | 5 | 6 | p. 5 | 322108302/0 | 4 | 1 | p. 3 | 322600206/1 | 5 | 1 | p. 29 |
| 112728701/0 | 4 | 2 | p. 13 | 322108302/0 | 4 | 1 | p. 5 | 322600206/1 | 5 | 1 | p. 31 |
| 112728701/0 | 4 | 4 | p. 15 | 322109554/0 | 3 | 1 | p. 25 | 322600214/1 | 5 | 1 | p. 25 |
| 112728706/0 | 1 | 6 | p. 19 | 322109554/0 | 3 | 1 | p. 27 | 322600214/1 | 5 | 1 | p. 27 |
| 112728710/0 | 3 | 4 | p. 23 | 322109554/0 | 3 | 1 | p. 29 | 322600214/1 | 5 | 1 | p. 29 |
| 112735103/0 | 11 | 3 | p. 13 | 322109554/0 | 3 | 1 | p. 31 | 322600214/1 | 5 | 1 | p. 31 |
| 112735103/0 | 11 | 3 | p. 15 | 322109556/0 | 3 | 1 | p. 25 | 322600216/1 | 5 | 1 | p. 25 |
| 112735410/0 | 7 | 4 | p. 23 | 322109556/0 | 3 | 1 | p. 27 | 322600216/1 | 5 | 1 | p. 27 |
| 112793101/0 | 18 | 2 | p. 23 | 322109556/0 | 3 | 1 | p. 29 | 322600216/1 | 5 | 1 | p. 29 |
| 112793701/0 | 14 | 2 | p. 11 | 322109556/0 | 3 | 1 | p. 31 | 322601911/1 | 20 | 1 | p. 23 |
| 112819110/0 | 2 | 2 | p. 11 | 322109557/0 | 3 | 1 | p. 25 | 322680009/0 | 13 | 1 | p. 17 |
| 112819110/0 | 7 | 2 | p. 11 | 322109557/0 | 3 | 1 | p. 27 | 322720360/2 | 11 | 1 | p. 23 |
| 118222039/0 | 6 | 1 | p. 23 | 322109557/0 | 3 | 1 | p. 29 | 322785144/1 | 9 | 1 | p. 15 |
| 118563641/1 | 4 | 1 | p. 23 | 322110636/0 | A1 | 2 | p. 21 | 322785210/0 | 2 | 1 | p. 23 |
| 118740054/0 | 5 | 1 | p. 23 | 322110637/0 | B1 | 2 | p. 21 | 322785331/0 | 1 | 1 | p. 25 |
| 119216035/0 | 8 | 8 | p. 19 | 322110638/0 | A2 | 2 | p. 21 | 322785331/0 | 1 | 1 | p. 27 |
| 122010251/0 | 6 | 1 | p. 15 | 322110639/0 | B2 | 2 | p. 21 | 322785331/0 | 1 | 1 | p. 29 |
| 122020320/0 | 15 | 1 | p. 13 | 322110647/0 | A2 | 2 | p. 21 | 322785331/0 | 1 | 1 | p. 31 |
| 122033283/0 | 9 | 1 | p. 17 | 322110648/0 | B2 | 2 | p. 21 | 322806518/2 | 14 | 1 | p. 13 |
| 122041957/1 | 11 | 1 | p. 17 | 322110687/0 | A3 | 2 | p. 21 | 322806518/2 | 14 | 1 | p. 15 |
| 122055033/1 | 24 | 1 | p. 23 | 322110689/0 | B3 | 2 | p. 21 | 322806519/2 | 16 | 1 | p. 13 |
| 122055045/1 | 22 | 1 | p. 23 | 322140239/0 | 11 | 1 | p. 3 | 322806519/2 | 16 | 1 | p. 15 |
| 122055058/0 | 23 | 1 | p. 23 | 322140239/0 | 11 | 1 | p. 5 | 322869673/0 | 7 | 1 | p. 7 |

| | | | |
|--------------|----|---|-------|
| 381003357/0 | 15 | 1 | p. 7 |
| 381004018/0 | 1 | 1 | p. 3 |
| 381004020/0 | 1 | 1 | p. 5 |
| 381004024/0 | 1 | 1 | p. 3 |
| 381004051/0 | 1 | 1 | p. 5 |
| 381004352/1 | 19 | 1 | p. 23 |
| 381004729/0 | 1 | 1 | p. 3 |
| 381005137/0 | 9 | 1 | p. 3 |
| 381005137/0 | 9 | 1 | p. 5 |
| 381005139/0 | 7 | 1 | p. 3 |
| 381005139/0 | 7 | 1 | p. 5 |
| 381006603/0 | 1 | 1 | p. 13 |
| 381006603/0 | 1 | 1 | p. 15 |
| 381006735/0 | 1 | 1 | p. 11 |
| 381007442/1 | 4 | 2 | p. 19 |
| 381007445/1 | 6 | 2 | p. 19 |
| 381007448/1 | 9 | 2 | p. 19 |
| 381007455/1 | 11 | 2 | p. 19 |
| 381007462/1 | 2 | 2 | p. 19 |
| 381007463/1 | 7 | 2 | p. 19 |
| 381007466/1 | 5 | 2 | p. 19 |
| 381007467/1 | 10 | 2 | p. 19 |
| 381008698/0 | 15 | 1 | p. 11 |
| 381008699/0 | 15 | 1 | p. 11 |
| 381030012/0 | 20 | 1 | p. 13 |
| 381030012/0 | 20 | 1 | p. 15 |
| 381302817/0 | 13 | 1 | p. 7 |
| 381302821/0 | 1 | 1 | p. 7 |
| 381486016/0A | 7 | 1 | p. 31 |
| 381486018/0 | 7 | 1 | p. 31 |
| 381600547/0 | 3 | 1 | p. 13 |
| 381600547/0 | 3 | 1 | p. 15 |
| 381600547/0 | CE | 1 | p. 13 |
| 381600547/0 | CE | 1 | p. 15 |
| 381600548/0 | 3 | 1 | p. 13 |
| 381600548/0 | 3 | 1 | p. 15 |
| 381600548/0 | UK | 1 | p. 13 |
| 381600548/0 | UK | 1 | p. 15 |