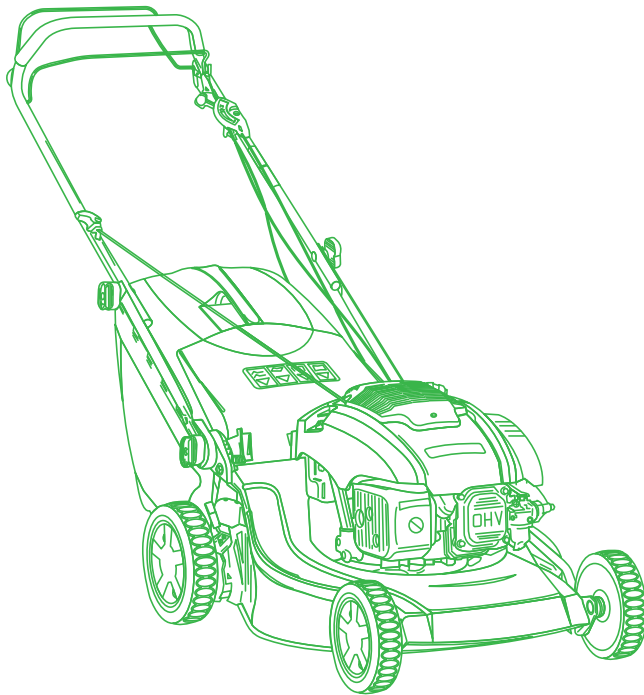


ILLUSTRATED PARTS LIST

NP 534 W TR NP 534 W TR/E

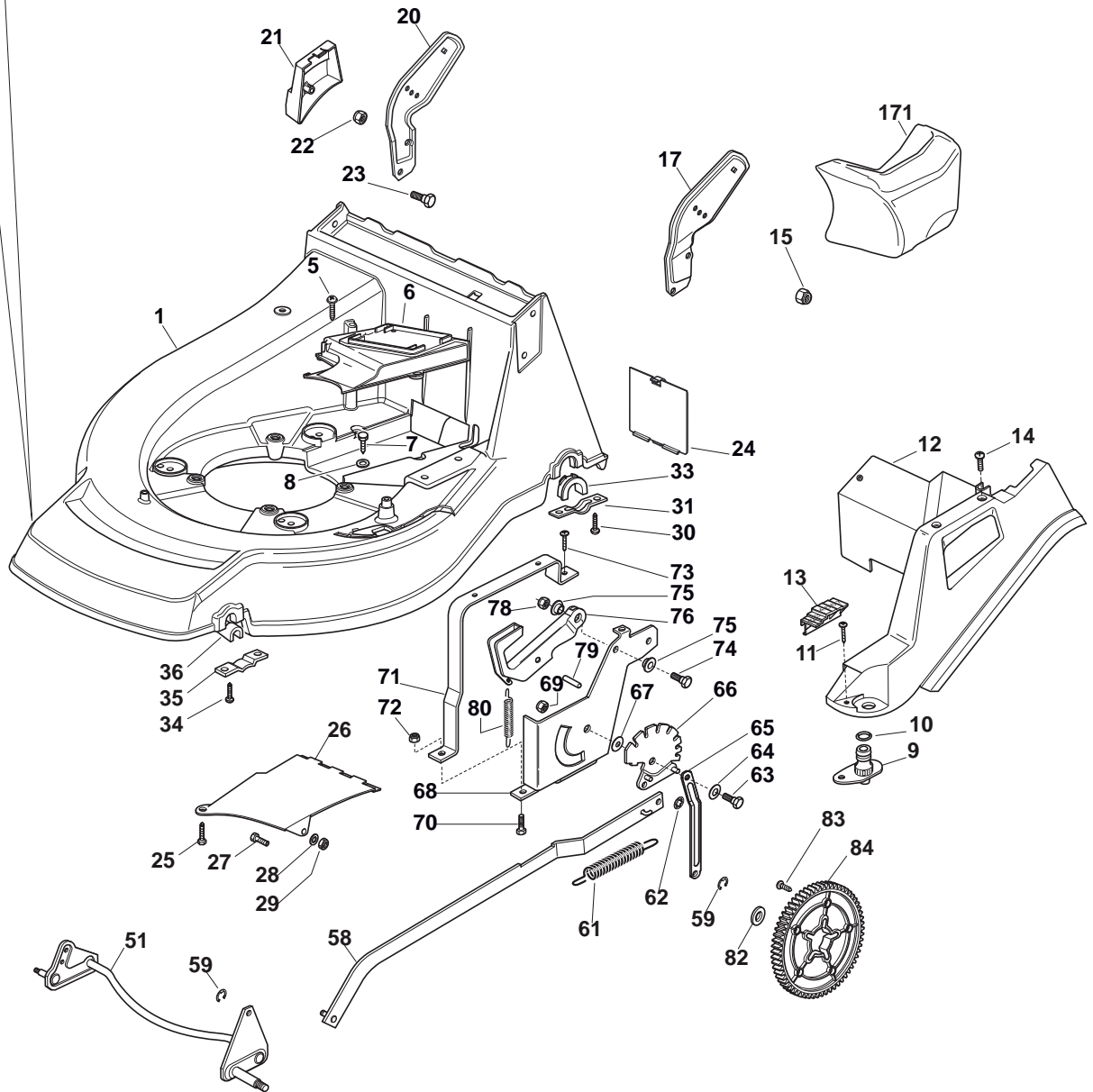
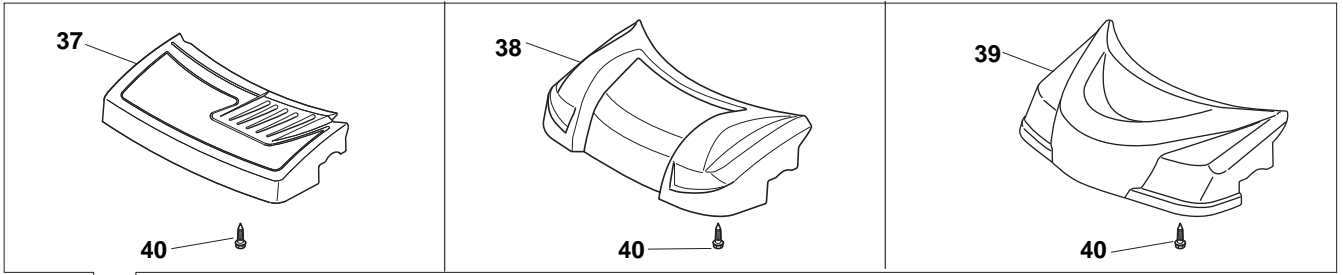


- Use GLOBAL GARDEN PRODUCT Genuine Spare Parts specified in the parts list for repair and/or replacement.
- The contents described in the parts list may change due to improvement.
- The drawings of the spare parts are only indicative and might not represent the part in question exactly.
- The indications "right" - "left" - "front" - "rear" refer to the position of the operator when using the machine.
- When placing orders of parts for repair and/or replacement, make sure that the illustrated parts list is the one applying to the machine's year of manufacture, as shown on the identification plate attached to the machine.

© Copyright 2014 Global Garden Products

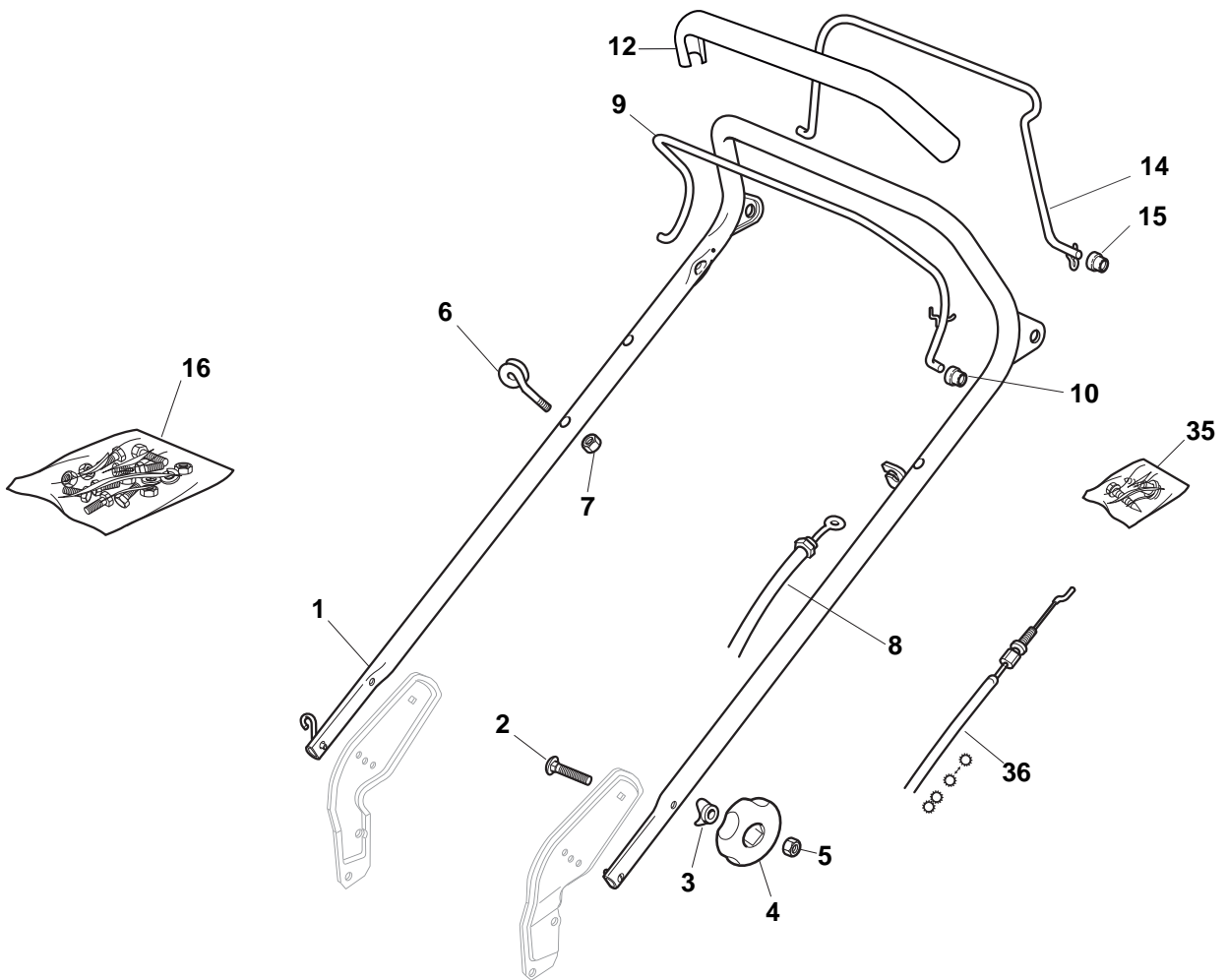
All content is subject to copyright by Global Garden Products and may not be reproduced in whole or in part by any means, electronic or otherwise, without prior written approval.

THIS INFORMATION IS NOT INTENDED FOR SALE OR RESALE, AND THIS NOTICE MUST REMAIN ON ALL COPIES.



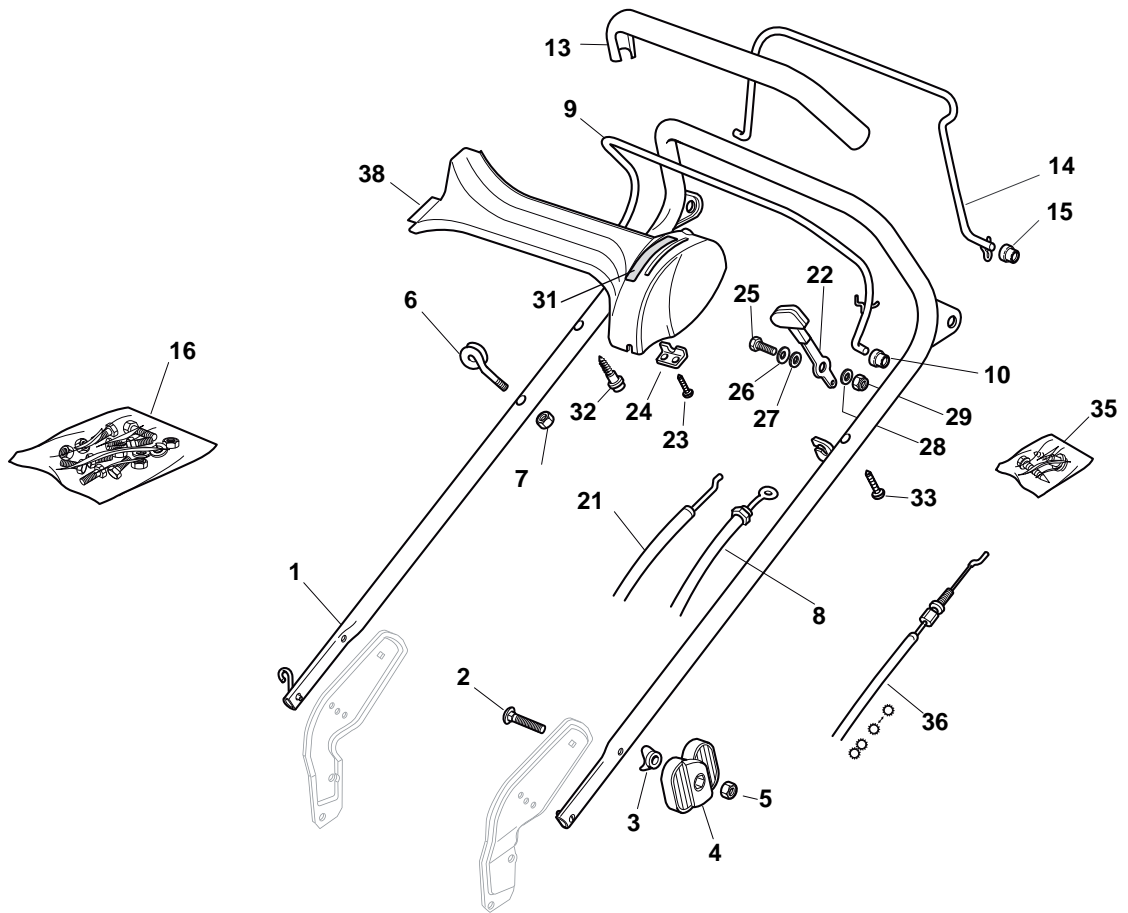
Deck And Height Adjusting

POS	PART. NO	Q.ty	DESCRIPTION	DESCRIZIONE	DESCRIPTION	BESCHREIBUNG	REMARKS
1	381003543/1	1	Deck Grey	Chassis Grigio	Châssis Gris	Gehäuse Grau	
5	112728522/0	2	Screw	Vite	Vis	Schraube	
6	322060200/1	1	Protection, Belt	Carter Cinghia	Protection Courroire	Schutz, Riemen	
7	112731350/0	1	Screw	Vite	Vis	Schraube	
8	112523040/0	2	Washer	Rosetta	Rondelle	Scheibe	
9	122034000/0	1	Washing Connection	Attacco Acqua Lavaggio	Attaque Lavage	Waschenverbindung	
10	119035000/0	1	Or Ring	Anello Or	Bague Or	Ring Or	
11	112728519/0	3	Screw	Vite	Vis	Schraube	
12	322060144/3	1	Deck, Adjustment	Carter Regolazione	Châssis Reglage	Gehäuse	
13	122570200/0	1	Plate, Cutting Positions	Placchetta Posizioni	Plaquette Reglage	Platte, Höheverstellung	
14	112728520/0	1	Screw	Vite	Vis	Schraube	
15	112155000/0	2	Nut	Dado	Ecrou	Mutter	
17	322778397/1	1	Bracket, L	Staffa Sx	Etrier Gauche	Steigbügel, Linke	
20	322778396/1	1	Bracket, R	Staffa Dx	Etrier Droit	Steigbügel, Rechte	
21	122601001/0	1	Protection	Cappuccio	Capuchon	Stecker	
22	112155000/0	2	Nut	Dado	Ecrou	Mutter	
23	112793301/0	2	Screw	Vite	Vis	Schraube	
24	122595352/0	1	Inspection Door	Portina Chiusura	Voyant De Visite	Abdeckplatte	
25	112731350/0	1	Screw	Vite	Vis	Schraube	
26	322108205/0	1	Conveyor	Convogliatore	Convoyeur	Konveyor	
27	112789000/0	1	Screw	Vite	Vis	Schraube	
28	112523020/0	1	Washer	Rosetta	Rondelle	Scheibe	
29	112154330/0	1	Nut	Dado	Ecrou	Mutter	
30	112731350/0	4	Screw	Vite	Vis	Schraube	
31	322545177/0	2	Plate	Piastrina	Plaquette	Plättchen	
33	322038407/0	2	Brass	Bronzina	Douille	Buchse	
34	112731350/0	4	Screw	Vite	Vis	Schraube	
35	322545156/0	2	Plate	Piastrina	Plaquette	Plättchen	
36	122038400/1	2	Brass	Bronzina	Douille	Buchse	
37	122226050/0	1	Mask, Black	Mascherina, Nero	Mesque, Noir	Maske, Schwarz	
38	322226112/1	1	Mask, Grey	Mascherina, Grigio	Mesque	Maske	
39	322226124/0	1	Mask, Black	Mascherina, Nero	Mesque, Noir	Maske, Schwarz	
40	112735420/0	4	Screw	Vite	Vis	Schraube	
51	381302865/0	1	Axle, Front Wheels	Asse Ruote Anteriori	Axe Roues Avant	Achse, Vorderrad	
58	381002023/0	1	Rod, Height Adjustment	Asta Comando Regol. Altezza	Tige Commande Reglage Hauteur	Stange, Höheverstellung	
59	112000930/0	2	Snap Ring	Anello Elastico	Anneau Ressort	Sprengring	
61	122446187/0	1	Spring	Molla	Ressort	Feder	
62	112604899/0	2	Crown Fastener	Fissatore A Corona	Fixateur A Couronne	Kronescheibe	
63	122529662/0	1	Fulcrum Pin	Perno Fulcro	Pivot	Gelenkpunkt	
64	322672151/0	1	Washer	Rosetta	Rondelle	Scheibe	
65	322033299/0	1	Rod, Rear Wheels Axle	Asta Asse Posteriore	Tige, Axe Roue Arrieres	Stange, Hinterradachse	
66	381000499/0	1	Sector, Height Adjustment	Settore Regolazione Altezza	Secteur Reglage Hauteur	Sektor, Höheverstellung	
67	322672152/0	1	Washer	Rosetta	Rondelle	Scheibe	
68	322785109/0	1	Support, Height Adjustment	Supporto Regolazione Altezza	Support Reglage	Halter, Höheverstellung	
69	112155000/0	1	Nut	Dado	Ecrou	Mutter	
70	112793301/0	2	Screw	Vite	Vis	Schraube	
71	322785113/0	1	Support, Handle	Supporto Maniglia	Support Poignée	Halter, Griff	
72	112293201/0	2	Nut	Dado	Ecrou	Mutter	
73	112729600/0	1	Screw	Vite	Vis	Schraube	
74	112793301/0	1	Screw	Vite	Vis	Schraube	
75	125038002/1	2	Bush	Bussola	Douille	Büchse	
76	322393611/2	1	Handle	Maniglia	Poignée	Griff	
78	112293201/0	1	Nut	Dado	Ecrou	Mutter	
79	112622640/0	1	Pin	Perno	Pivot	Bolzen	
80	122446175/0	1	Spring	Molla	Ressort	Feder	
82	122675100/0	2	Washer	Rosetta	Rondelle	Scheibe	
83	112728691/0	6	Screw	Vite	Vis	Schraube	
84	322120110/0	2	Sprocket	Ruota Dentata	Couronne	Zahnkettenrad	
171	322140224/1	1	Cap	Puntale	Bouchon	Gummistopfen	



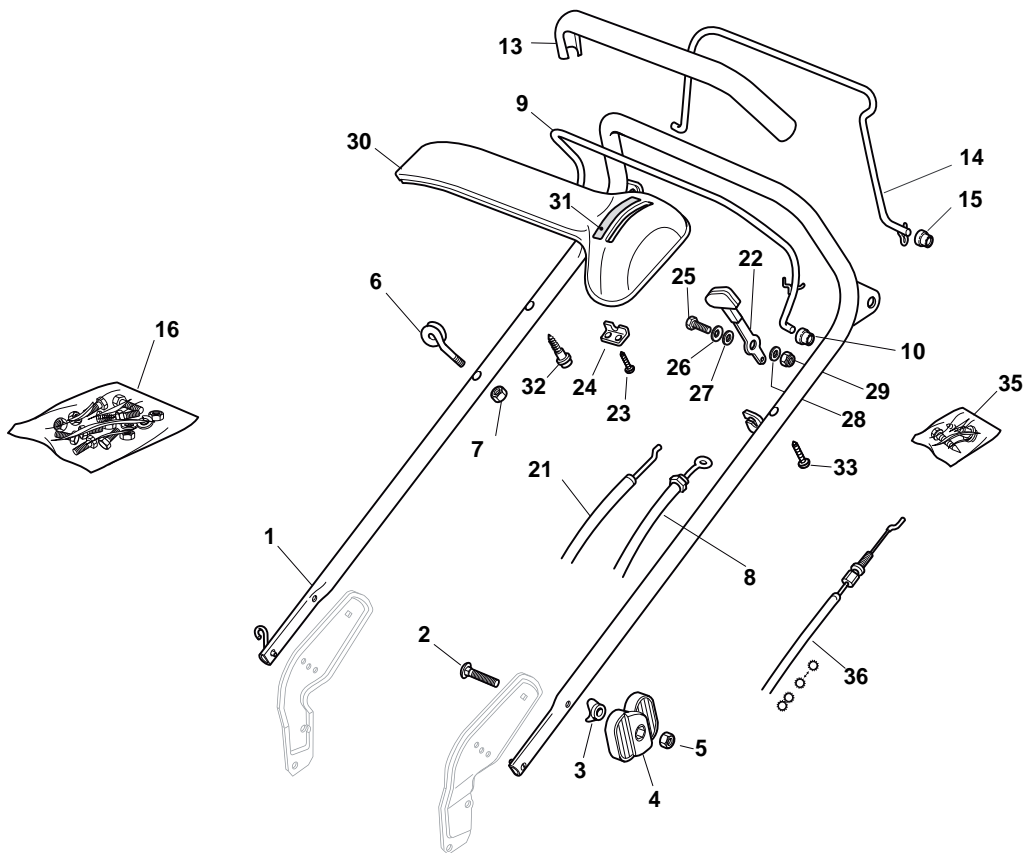
Handle, Upper Part

POS	PART. NO	Q.ty	DESCRIPTION	DESCRIZIONE	DESCRIPTION	BESCHREIBUNG	REMARKS
1	381006861/0	1	Handle, Upper Part	Manico, Parte Sup	Mancheron, Partie Superieure	Holm, Oberteil	
2	112819120/0	2	Screw	Vite	Vis	Schraube	
3	122671651/0	2	Washer	Rosetta	Rondelle	Scheibe	
4	322399804/1	2	Knob	Manopolina	Poignée	Griff	
5	112293200/0	2	Nut	Dado	Ecrou	Mutter	
6	122430309/0	1	Spring	Molla	Ressort	Feder	
7	112154330/0	1	Nut	Dado	Ecrou	Mutter	
8	181030006/0	1	Cable, Thread Engine Brake	Cavo Freno Motore	Cable Frein Moteur	Kabel, Motorbremse	for B&S DOV Series
8	181000616/1	1	Cable, Thread Engine Brake	Cavo Freno Motore	Cable Frein Moteur	Kabel, Motorbremse	for Honda Engine
8	181000616/1	1	Cable, Thread Engine Brake	Cavo Freno Motore	Cable Frein Moteur	Kabel, Motorbremse	for GGP Engine
8	181000634/0	1	Cable, Thread Engine Brake	Cavo Freno Motore	Cable Frein Moteur	Kabel, Motorbremse	for B&S 575-550 Series
8	181000757/0	1	Cable, Thread Engine Brake	Cavo Freno Motore	Cable Frein Moteur	Kabel, Motorbremse	for B&S 675-625 Series
9	181003291/3	1	Lever, Engine Brake	Leva Freno Motore	Levier Frein Moteur	Hebel, Motorbremse	
10	122041966/0	2	Bush	Bussola	Douille	Büchse	
12	122291050/0	1	Handgrip Black	Impugnatura Manico Nera	Poignée Noir	Handgriff Schwarz	
14	181003288/1	1	Lever, Driving	Leva Trazione	Levier Traction	Antriebhebel	
15	322041965/1	2	Bush	Bussola	Douille	Büchse	
16	381008610/1	1	Outfit, Screws	Dotazione Viteria	Dotation Visserie	Satz, Schrauben	
35	381008609/0	1	Outfit, Screws	Dotazione Viteria	Dotation Visserie	Satz, Schrauben	
36	381000669/0	1	Cable, Rear Drive	Cavo Comando Trazione	Câble, Comm. Traction	Kabel, Antrieb	General Transmission
36	381000673/0	1	Cable, Rear Drive	Cavo Comando Trazione	Câble, Comm. Traction	Kabel, Antrieb	Bi. Ci. Di.



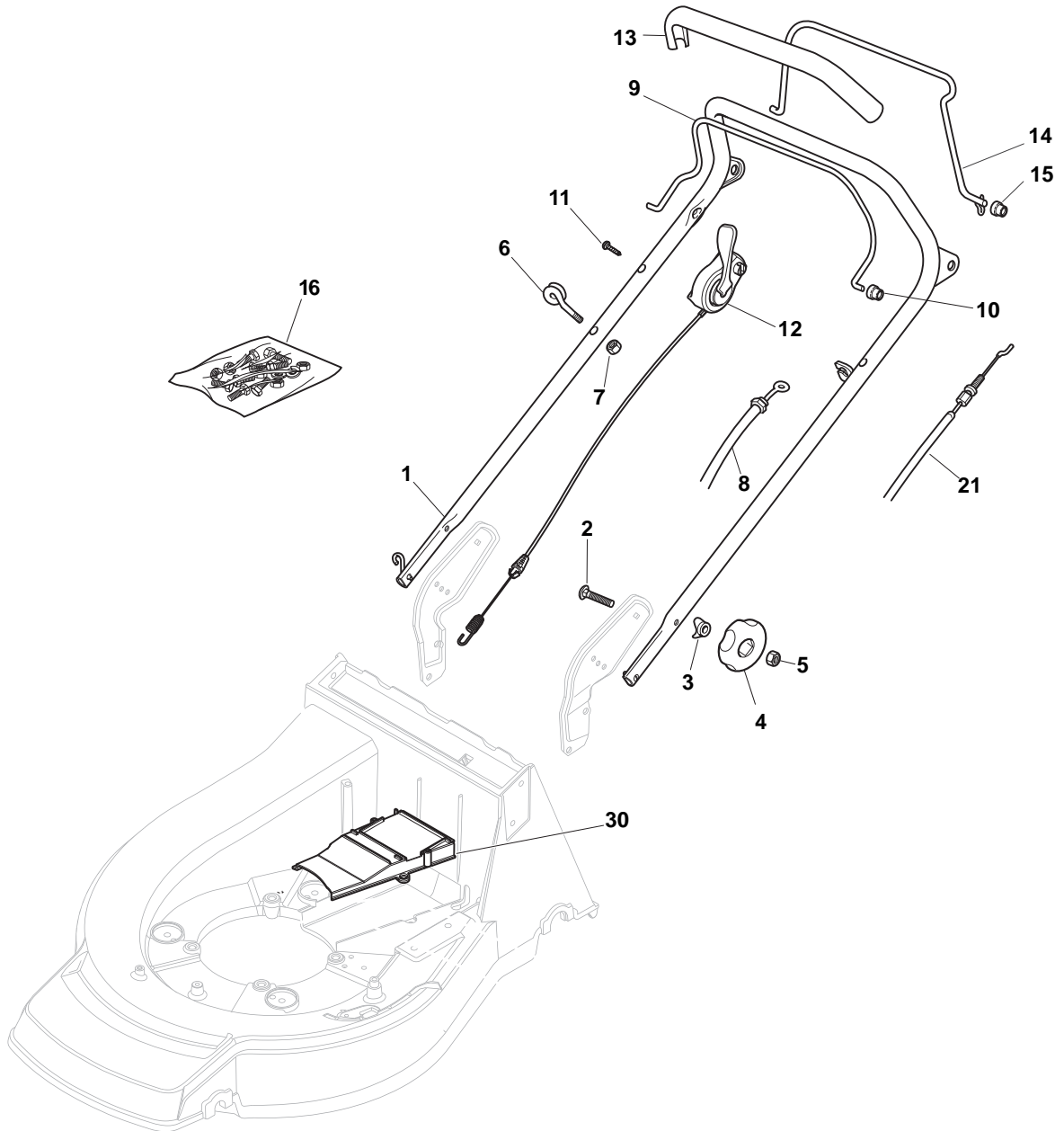
Handle, Upper Part - CASTEL Dashboard

POS	PART. NO	Q.ty	DESCRIPTION	DESCRIZIONE	DESCRIPTION	BESCHREIBUNG	REMARKS
1	381006861/0	1	Handle, Upper Part	Manico, Parte Sup	Mancheron, Partie Superieure	Holm, Oberteil	
2	112819120/0	2	Screw	Vite	Vis	Schraube	
3	122671651/0	2	Washer	Rosetta	Rondelle	Scheibe	
4	322399804/1	2	Knob	Manopolina	Poignée	Griff	
5	112293200/0	2	Nut	Dado	Ecrou	Mutter	
6	122430309/0	1	Spring	Molla	Ressort	Feder	
7	112154330/0	1	Nut	Dado	Ecrou	Mutter	
8	181030006/0	1	Cable, Thread Engine Brake	Cavo Freno Motore	Cable Frein Moteur	Kabel, Motorbremse	for B&S DOV Series
8	181000616/1	1	Cable, Thread Engine Brake	Cavo Freno Motore	Cable Frein Moteur	Kabel, Motorbremse	for Honda Engine
8	181000616/1	1	Cable, Thread Engine Brake	Cavo Freno Motore	Cable Frein Moteur	Kabel, Motorbremse	for GGP Engine
8	181000634/0	1	Cable, Thread Engine Brake	Cavo Freno Motore	Cable Frein Moteur	Kabel, Motorbremse	for B&S 575-550 Series
8	181000757/0	1	Cable, Thread Engine Brake	Cavo Freno Motore	Cable Frein Moteur	Kabel, Motorbremse	for B&S 675-625 Series
9	181003291/3	1	Lever, Engine Brake	Leva Freno Motore	Levier Frein Moteur	Hebel, Motorbremse	
10	122041966/0	2	Bush	Bussola	Douille	Büchse	
13	122291050/0	1	Handgrip Black	Impugnatura Manico Nera	Poignée Noir	Handgriff Schwarz	
14	181003288/1	1	Lever, Driving	Leva Trazione	Levier Traction	Antriebhebel	
15	322041965/1	2	Bush	Bussola	Douille	Büchse	
16	381008610/1	1	Outfit, Screws	Dotazione Viteria	Dotation Visserie	Satz, Schrauben	
21	481007160/0	1	Throttle Cable	Cavo Acceleratore	Cable, Accelérateur	Gashebel Kabel	
22	381007221/0	1	Lever, Throttle	Leva, Acceleratore	Levier, Accelérateur	Hebel, Beshleuniger	for B&S 450-500 Series / GGP 150cc
22	381007280/2	1	Lever, Throttle	Leva, Acceleratore	Levier, Accelérateur	Hebel, Beshleuniger	for Honda-B&S-GGP Engine
23	112735105/0	2	Screw	Vite	Vis	Schraube	
24	322981467/0	1	Plate	Piastrina	Plaquette	Plättchen	
25	112791500/0	1	Screw	Vite	Vis	Schraube	
26	112530060/0	1	Elastic Washer	Disco Elastico	Disque Elastique	Federscheibe	
27	112523040/0	1	Washer	Rosetta	Rondelle	Scheibe	
28	112523040/0	1	Washer	Rosetta	Rondelle	Scheibe	
29	112154510/0	1	Nut	Dado	Ecrou	Mutter	
31	114356743/1	1	Label	Etichetta	Etiquette	Etikette	for B&S DOV Series
31	114356743/1	1	Label	Etichetta	Etiquette	Etikette	for Honda-GGP Engine
31	114356744/1	1	Label	Etichetta	Etiquette	Etikette	for B&S 675-625 Series
31	114356905/0	1	Label	Etichetta	Etiquette	Etikette	for B&S 575-550 Series
31	114356906/1	1	Label	Etichetta	Etiquette	Etikette	for B&S 675Es Series
31	114357646/1	1	Label	Etichetta	Etiquette	Etikette	for Honda Autochoke Engine
32	122943006/0	1	Screw	Vite	Vis	Schraube	
33	112728460/0	1	Screw	Vite	Vis	Schraube	
35	381008609/0	1	Outfit, Screws	Dotazione Viteria	Dotation Visserie	Satz, Schrauben	
36	381000669/0	1	Cable, Rear Drive	Cavo Comando Trazione	Câble, Comm. Traction	Kabel, Antrieb	General Transmission
36	381000673/0	1	Cable, Rear Drive	Cavo Comando Trazione	Câble, Comm. Traction	Kabel, Antrieb	Bi. Ci. Di.
38	422120172/0	1	Dash Board Black	Cruscotto Nero	Console Noire	Konsole Schwarze	
38	422120173/0	1	Dash Board Red	Cruscotto Rosso	Console Rouge	Konsole Rote	
38	422120174/0	1	Dash Board Yellow	Cruscotto Giallo	Console Jaune	Konsole Gelbe	



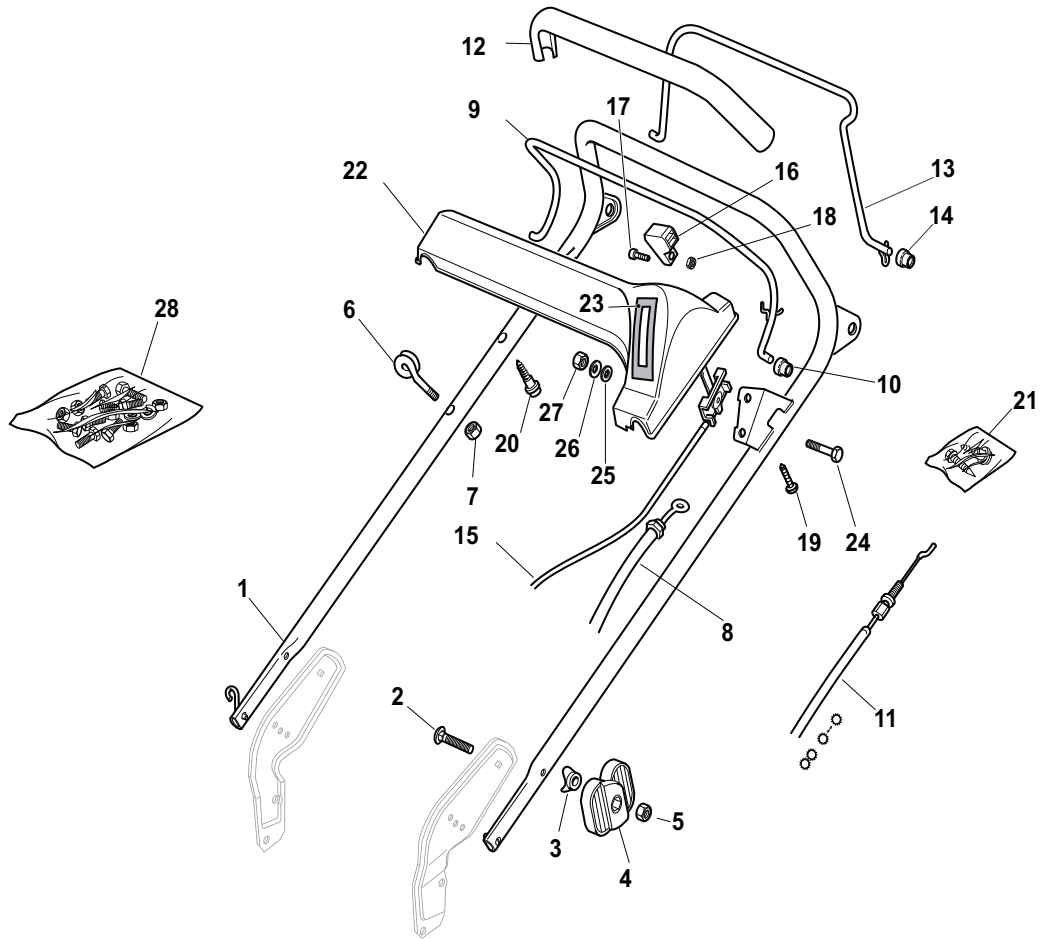
Handle, Upper Part - TREND Dashboard

POS	PART. NO	Q.ty	DESCRIPTION	DESCRIZIONE	DESCRIPTION	BESCHREIBUNG	REMARKS
1	381006861/0	1	Handle, Upper Part	Manico, Parte Sup	Mancheron, Partie Superieure	Holm, Oberteil	
2	112819120/0	2	Screw	Vite	Vis	Schraube	
3	122671651/0	2	Washer	Rosetta	Rondelle	Scheibe	
4	322399804/1	2	Knob	Manopolina	Poignée	Griff	
5	112293200/0	2	Nut	Dado	Ecrou	Mutter	
6	122430309/0	1	Spring	Molla	Ressort	Feder	
7	112154330/0	1	Nut	Dado	Ecrou	Mutter	
8	181030006/0	1	Cable, Thread Engine Brake	Cavo Freno Motore	Cable Frein Moteur	Kabel, Motorbremse	for B&S DOV Series
8	181000616/1	1	Cable, Thread Engine Brake	Cavo Freno Motore	Cable Frein Moteur	Kabel, Motorbremse	for Honda Engine
8	181000616/1	1	Cable, Thread Engine Brake	Cavo Freno Motore	Cable Frein Moteur	Kabel, Motorbremse	for GGP Engine
8	181000634/0	1	Cable, Thread Engine Brake	Cavo Freno Motore	Cable Frein Moteur	Kabel, Motorbremse	for B&S 575-550 Series
8	181000757/0	1	Cable, Thread Engine Brake	Cavo Freno Motore	Cable Frein Moteur	Kabel, Motorbremse	for B&S 675-625 Series
9	181003291/3	1	Lever, Engine Brake	Leva Freno Motore	Levier Frein Moteur	Hebel, Motorbremse	
10	122041966/0	2	Bush	Bussola	Douille	Büchse	
13	122291050/0	1	Handgrip Black	Impugnatura Manico Nera	Poignée Noir	Handgriff Schwarz	
14	181003288/1	1	Lever, Driving	Leva Trazione	Levier Traction	Antriebhebel	
15	322041965/1	2	Bush	Bussola	Douille	Büchse	
16	381008610/1	1	Outfit, Screws	Dotazione Viteria	Dotation Visserie	Satz, Schrauben	
21	481007160/0	1	Throttle Cable	Cavo Acceleratore	Cable, Accelérateur	Gashebel Kabel	
22	381007221/0	1	Lever, Throttle	Leva, Acceleratore	Levier, Accelérateur	Hebel, Beshleuniger	for B&S 450-500 Series / GGP 150cc
22	381007280/2	1	Lever, Throttle	Leva, Acceleratore	Levier, Accelérateur	Hebel, Beshleuniger	for Honda-B&S-GGP Engine
23	112735105/0	2	Screw	Vite	Vis	Schraube	
24	322981467/0	1	Plate	Piastrina	Plaquette	Plättchen	
25	112791500/0	1	Screw	Vite	Vis	Schraube	
26	112530060/0	1	Elastic Washer	Disco Elastico	Disque Elastique	Federscheibe	
27	112523040/0	1	Washer	Rosetta	Rondelle	Scheibe	
28	112523040/0	1	Washer	Rosetta	Rondelle	Scheibe	
29	112154510/0	1	Nut	Dado	Ecrou	Mutter	
30	422120152/0	1	Dash Board Yellow	Cruscotto Giallo	Console Jaune	Konsole Gelbe	
30	422120154/0	1	Dash Board Red	Cruscotto Rosso	Console Rouge	Konsole Rote	
30	422120158/0	1	Dash Board Black	Cruscotto Nero	Console Noire	Konsole Schwarze	
31	114356743/1	1	Label	Etichetta	Etiquette	Etikette	for B&S DOV Series
31	114356743/1	1	Label	Etichetta	Etiquette	Etikette	for Honda-GGP Engine
31	114356744/1	1	Label	Etichetta	Etiquette	Etikette	for B&S 675-625 Series
31	114356905/0	1	Label	Etichetta	Etiquette	Etikette	for B&S 575-550 Series
31	114356906/1	1	Label	Etichetta	Etiquette	Etikette	for B&S 675Es Series
31	114357646/1	1	Label	Etichetta	Etiquette	Etikette	for Honda Autochoke Engine
32	122943006/0	1	Screw	Vite	Vis	Schraube	
33	112728460/0	1	Screw	Vite	Vis	Schraube	
35	381008609/0	1	Outfit, Screws	Dotazione Viteria	Dotation Visserie	Satz, Schrauben	
36	381000669/0	1	Cable, Rear Drive	Cavo Comando Trazione	Câble, Comm. Traction	Kabel, Antrieb	General Transmission
36	381000673/0	1	Cable, Rear Drive	Cavo Comando Trazione	Câble, Comm. Traction	Kabel, Antrieb	Bi. Ci. Di.



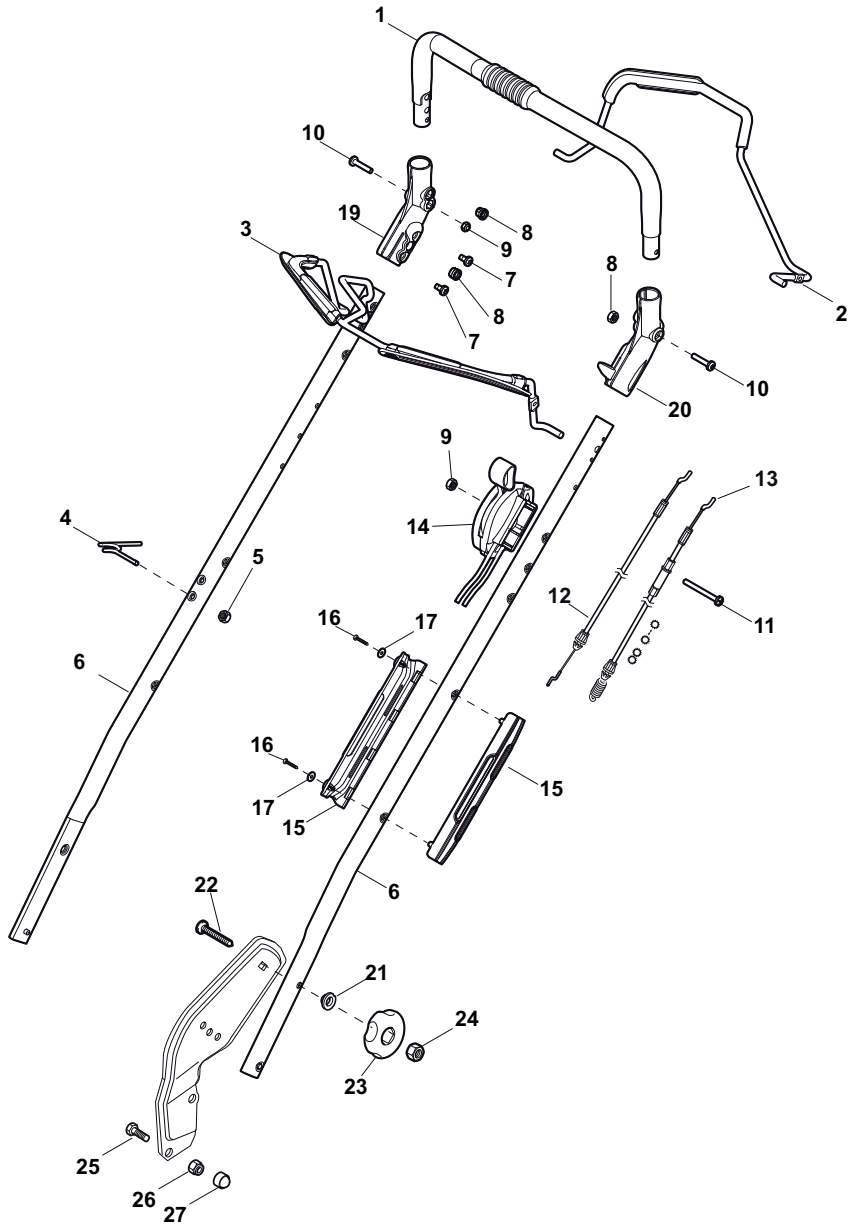
Handle, Upper Part - BBC

POS	PART. NO	Q.ty	DESCRIPTION	DESCRIZIONE	DESCRIPTION	BESCHREIBUNG	REMARKS
1	381006875/0	1	Handle, Upper Part, Grey	Manico, Parte Sup. Grigio	Mancheron, Partie Superieure, Gris	Holm, Oberteil, Grau	
1	381006869/1	1	Handle, Upper Part, Black	Manico, Parte Sup, Nero	Mancheron, Partie Superieure, Noir	Holm, Oberteil, Schwarz	
2	112819120/0	2	Screw	Vite	Vis	Schraube	
3	122671651/0	2	Washer	Rosetta	Rondelle	Scheibe	
4	322399804/1	2	Knob	Manopolina	Poignée	Griff	
5	112293200/0	2	Nut	Dado	Ecrou	Mutter	
6	122430309/0	1	Spring	Molla	Ressort	Feder	
7	112154330/0	1	Nut	Dado	Ecrou	Mutter	
8	181000616/1	1	Cable, Thread Engine Brake	Cavo Freno Motore	Cable Frein Moteur	Kabel, Motorbremse	for Honda Engine
8	181000616/1	1	Cable, Thread Engine Brake	Cavo Freno Motore	Cable Frein Moteur	Kabel, Motorbremse	for GGP Engine
8	181000634/0	1	Cable, Thread Engine Brake	Cavo Freno Motore	Cable Frein Moteur	Kabel, Motorbremse	for B&S 675Es Series
8	181000757/0	1	Cable, Thread Engine Brake	Cavo Freno Motore	Cable Frein Moteur	Kabel, Motorbremse	for B&S 675-625 Series
8	181030006/0	1	Cable, Thread Engine Brake	Cavo Freno Motore	Cable Frein Moteur	Kabel, Motorbremse	for B&S DOV Series
9	181003332/1	1	Lever, Engine Brake	Leva Freno Motore	Levier Frein Moteur	Hebel, Motorbremse	
10	122041966/0	2	Bush	Bussola	Douille	Büchse	
11	112727784/0	1	Screw	Vite	Vis	Schraube	
12	381030033/0	1	Cable, Mechanical Clutch	Cavo Comando Frizione Meccanica	Câble, Commande Embrayage Mecanique	Kabel, Mechanische Kupplung	
13	122291050/0	1	Handgrip Black	Impugnatura Manico Nera	Poignée Noir	Handgriff Schwarz	
14	181003288/1	1	Lever, Driving	Leva Trazione	Levier Traction	Antriebhebel	
15	322041965/1	2	Bush	Bussola	Douille	Büchse	
16	381008610/1	1	Outfit, Screws	Dotazione Viteria	Dotation Visserie	Satz, Schrauben	
21	381000669/0	1	Cable, Rear Drive	Cavo Comando Trazione	Câble, Comm. Traction	Kabel, Antrieb	General Transmission
21	381000673/0	1	Cable, Rear Drive	Cavo Comando Trazione	Câble, Comm. Traction	Kabel, Antrieb	Bi. Ci. Di.
30	322060228/0	1	Protection, Belt	Carter Cinghia	Protection Courroire	Schutz, Riemen	



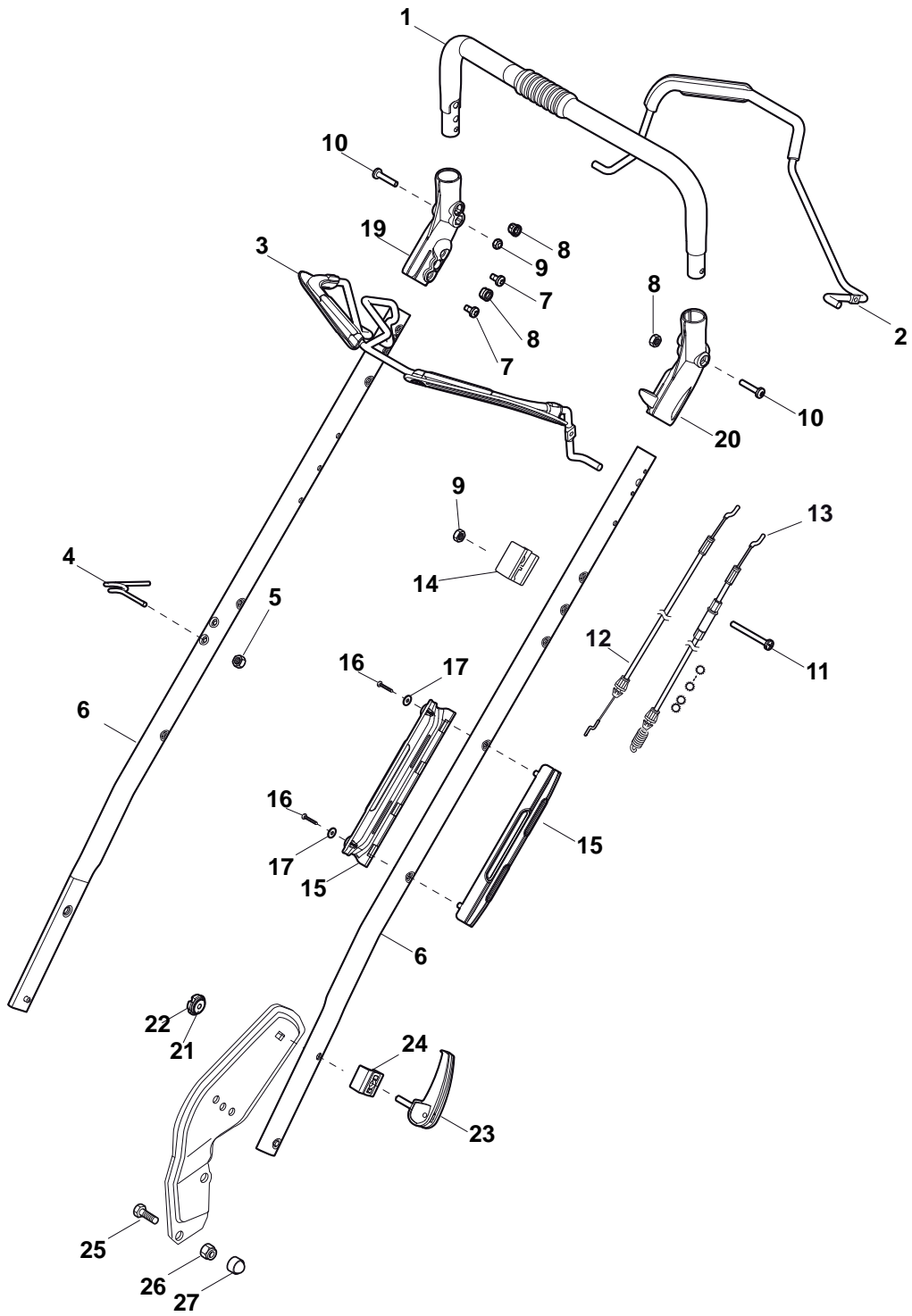
Handle, Upper Part

POS	PART. NO	Q.ty	DESCRIPTION	DESCRIZIONE	DESCRIPTION	BESCHREIBUNG	REMARKS
1	381007028/1	1	Handle, Upper Part	Manico, Parte Sup	Mancheron, Partie Superieure	Holm, Oberteil	
2	112819120/0	2	Screw	Vite	Vis	Schraube	
3	122671651/0	2	Washer	Rosetta	Rondelle	Scheibe	
4	322399804/1	2	Knob	Manopolina	Poignée	Griff	
5	112293200/0	2	Nut	Dado	Ecrou	Mutter	
6	122430309/0	1	Spring	Molla	Ressort	Feder	
7	112154330/0	1	Nut	Dado	Ecrou	Mutter	
8	181000616/1	1	Cable, Thread Engine Brake	Cavo Freno Motore	Cable Frein Moteur	Kabel, Motorbremse	for Honda Engine
8	181000634/0	1	Cable, Thread Engine Brake	Cavo Freno Motore	Cable Frein Moteur	Kabel, Motorbremse	for B&S 675Es Series
8	181000757/0	1	Cable, Thread Engine Brake	Cavo Freno Motore	Cable Frein Moteur	Kabel, Motorbremse	for B&S 675-625 Series
8	181030006/0	1	Cable, Thread Engine Brake	Cavo Freno Motore	Cable Frein Moteur	Kabel, Motorbremse	for B&S 700-750 Series
9	181003291/3	1	Lever, Engine Brake	Leva Freno Motore	Levier Frein Moteur	Hebel, Motorbremse	
10	122041966/0	2	Bush	Bussola	Douille	Büchse	
11	381000669/0	1	Cable, Rear Drive	Cavo Comando Trazione	Câble, Comm. Traction	Kabel, Antrieb	General Transmission
11	381000673/0	1	Cable, Rear Drive	Cavo Comando Trazione	Câble, Comm. Traction	Kabel, Antrieb	Bi. Ci. Di.
12	122291050/0	1	Handgrip Black	Impugnatura Manico Nera	Poignée Noir	Handgriff Schwarz	
13	181003288/1	1	Lever, Driving	Leva Trazione	Levier Traction	Antriebhebel	
14	322041965/1	2	Bush	Bussola	Douille	Büchse	
15	181007091/0	1	Throttle Cable	Cavo Acceleratore	Cable, Accelérateur	Gashebel Kabel	for B&S Engine
15	181007092/0	1	Throttle Cable	Cavo Acceleratore	Cable, Accelérateur	Gashebel Kabel	for Honda Engine
16	122399801/0	1	Knob	Manopolina	Poignée	Griff	
17	112726388/0	1	Screw	Vite	Vis	Schraube	
18	112290800/0	1	Nut	Dado	Ecrou	Mutter	
19	112728460/0	1	Screw	Vite	Vis	Schraube	
20	122943006/0	1	Screw	Vite	Vis	Schraube	
21	381008499/1	1	Outfit, Screws	Dotazione Viteria	Dotation Visserie	Satz, Schrauben	
22	422120148/0	1	Dash Board Yellow	Cruscotto Giallo	Console Jaune	Konsole Gelbe	
22	422120150/0	1	Dash Board Red	Cruscotto Rosso	Console Rouge	Konsole Rote	
22	422120164/0	1	Dash Board Black	Cruscotto Nero	Console Noire	Konsole Schwarze	
23	114356692/0	1	Label	Etichetta	Etiquette	Etikette	for Honda Engine
23	114356693/0	1	Label	Etichetta	Etiquette	Etikette	for B&S Engine
23	114361477/0	1	Label	Etichetta	Etiquette	Etikette	for GGP Engine
24	112788910/0	2	Screw	Vite	Vis	Schraube	
25	112523020/0	2	Washer	Rosetta	Rondelle	Scheibe	
26	112581500/0	2	Grower	Grower	Grower	Federring	
27	112291000/0	2	Nut	Dado	Ecrou	Mutter	
28	381008610/1	1	Outfit, Screws	Dotazione Viteria	Dotation Visserie	Satz, Schrauben	



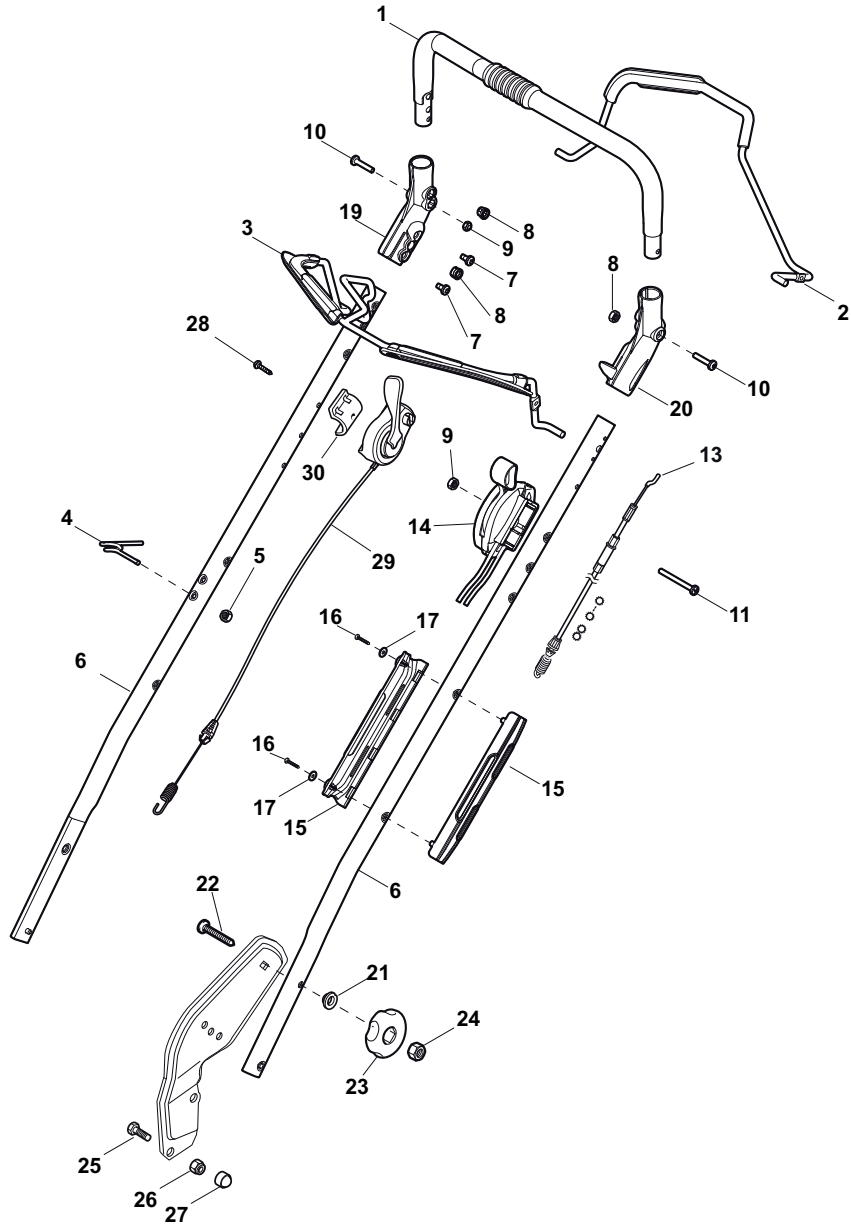
Handle, Upper Part

POS	PART. NO	Q.ty	DESCRIPTION	DESCRIZIONE	DESCRIPTION	BESCHREIBUNG	REMARKS
1	381006670/2	1	Handgrip	Impugnatura	Poignée	Handgriff	
2	381003349/0	1	Lever, Driving	Leva Trazione	Levier Traction	Antriebhebel	
3	381003344/0	1	Lever, Engine Brake	Leva Freno Motore	Levier Frein Moteur	Hebel, Motorbremse	
4	122430309/0	1	Spring	Molla	Ressort	Feder	
5	112154330/0	1	Nut	Dado	Ecrou	Mutter	
6	381007046/0	2	Handle Black	Manico Nero	Mancheron Noir,	Holm Schwarz	
6	381007047/0	2	Handle Grey	Manico Grigio	Mancheron Gris	Holm Grau	
7	112735662/1	4	Screw	Vite	Vis	Schraube	
8	322041967/1	4	Bush	Bussola	Douille	Büchse	
9	112154510/0	3	Nut	Dado	Ecrou	Mutter	
10	112728721/0	2	Screw	Vite	Vis	Schraube	
11	112727786/0	1	Screw	Vite	Vis	Schraube	
12	181030077/0	1	Cable, Thread Engine Brake	Cavo Freno Motore	Cable Frein Moteur	Kabel, Motorbremse	
13	381030078/0	1	Cable, Rear Drive	Cavo Comando Trazione	Câble, Comm. Traction	Kabel, Antrieb	
14	181007145/0	1	Throttle Cable	Cavo Acceleratore	Cable, Accelérateur	Gashebel Kabel	for B&S Engine
14	181007199/0	1	Throttle Cable	Cavo Acceleratore	Cable, Accelérateur	Gashebel Kabel	for Honda-GGP Engine
15	322806644/0	2	Protection	Cappuccio	Capuchon	Stecker	
16	112727812/0	2	Screw	Vite	Vis	Schraube	
17	112523000/1	2	Washer	Rosetta	Rondelle	Scheibe	
19	322488301/0	1	Support , R	Supporto, Parte Dx	Support, D	Halter, Rechte	
20	322488303/0	1	Support, L	Supporto, Parte Sx	Support, G	Halter, Linke	
21	122671651/0	2	Washer	Rosetta	Rondelle	Scheibe	
22	112819105/0	2	Screw	Vite	Vis	Schraube	
23	322399804/1	2	Knob	Manopolina	Poignée	Griff	
24	112293200/0	2	Nut	Dado	Ecrou	Mutter	
25	112793301/0	2	Screw	Vite	Vis	Schraube	
26	112155000/0	2	Nut	Dado	Ecrou	Mutter	
27	118203854/0	2	Protection	Cappuccio	Capuchon	Stecker	



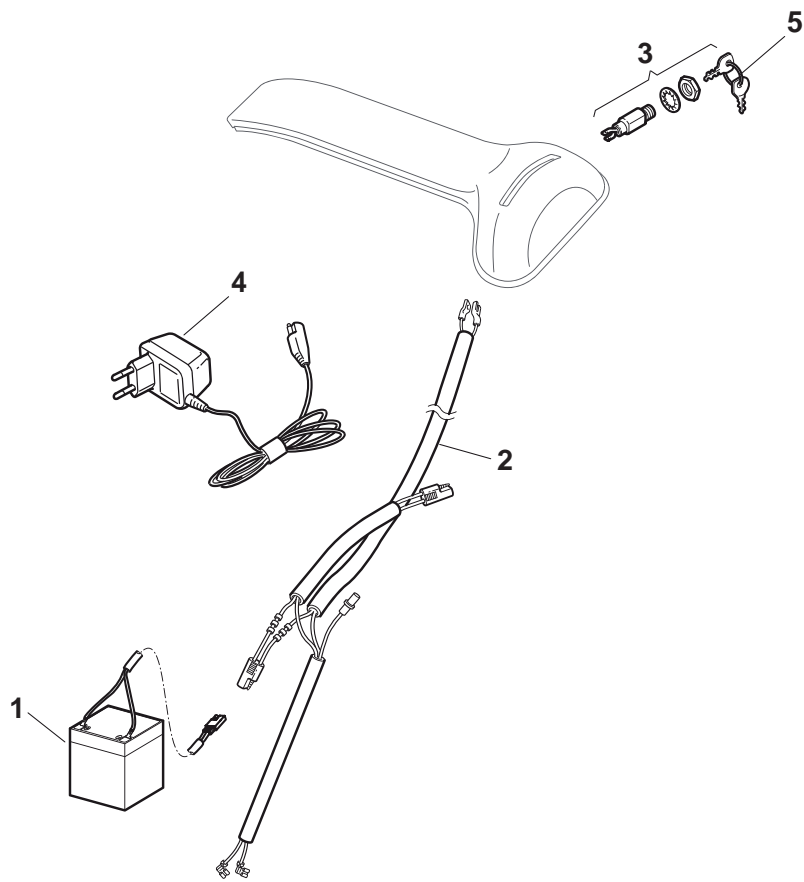
Handle, Upper Part

POS	PART. NO	Q.ty	DESCRIPTION	DESCRIZIONE	DESCRIPTION	BESCHREIBUNG	REMARKS
1	381006670/2	1	Handgrip	Impugnatura	Poignée	Handgriff	
2	381003349/0	1	Lever, Driving	Leva Trazione	Levier Traction	Antriebhebel	
3	381003344/0	1	Lever, Engine Brake	Leva Freno Motore	Levier Frein Moteur	Hebel, Motorbremse	
4	122430309/0	1	Spring	Molla	Ressort	Feder	
5	112154330/0	1	Nut	Dado	Ecrou	Mutter	
6	381007046/0	2	Handle Black	Manico Nero	Mancheron Noir,	Holm Schwarz	
6	381007047/0	2	Handle Grey	Manico Grigio	Mancheron Gris	Holm Grau	
7	112735662/1	4	Screw	Vite	Vis	Schraube	
8	322041967/1	4	Bush	Bussola	Douille	Büchse	
9	112154510/0	3	Nut	Dado	Ecrou	Mutter	
10	112728721/0	2	Screw	Vite	Vis	Schraube	
11	112727786/0	1	Screw	Vite	Vis	Schraube	
12	181030077/0	1	Cable, Thread Engine Brake	Cavo Freno Motore	Cable Frein Moteur	Kabel, Motorbremse	
13	381030078/0	1	Cable, Rear Drive	Cavo Comando Trazione	Câble, Comm. Traction	Kabel, Antrieb	
14	322551639/0	1	Plate	Piastra	Plaquette	Platte	
15	322806644/0	2	Protection	Cappuccio	Capuchon	Stecker	
16	112727812/0	2	Screw	Vite	Vis	Schraube	
17	112523000/1	2	Washer	Rosetta	Rondelle	Scheibe	
19	322488301/0	1	Support , R	Supporto, Parte Dx	Support, D	Halter, Rechte	
20	322488303/0	1	Support, L	Supporto, Parte Sx	Support, G	Halter, Linke	
21	122671651/0	2	Washer	Rosetta	Rondelle	Scheibe	
22	112819105/0	2	Screw	Vite	Vis	Schraube	
23	381003253/0	2	Handle	Maniglia	Poignée	Griff	
24	322680017/0	2	Support	Supporto	Support	Halter	
25	112793301/0	2	Screw	Vite	Vis	Schraube	
26	112155000/0	2	Nut	Dado	Ecrou	Mutter	
27	118203854/0	2	Protection	Cappuccio	Capuchon	Stecker	



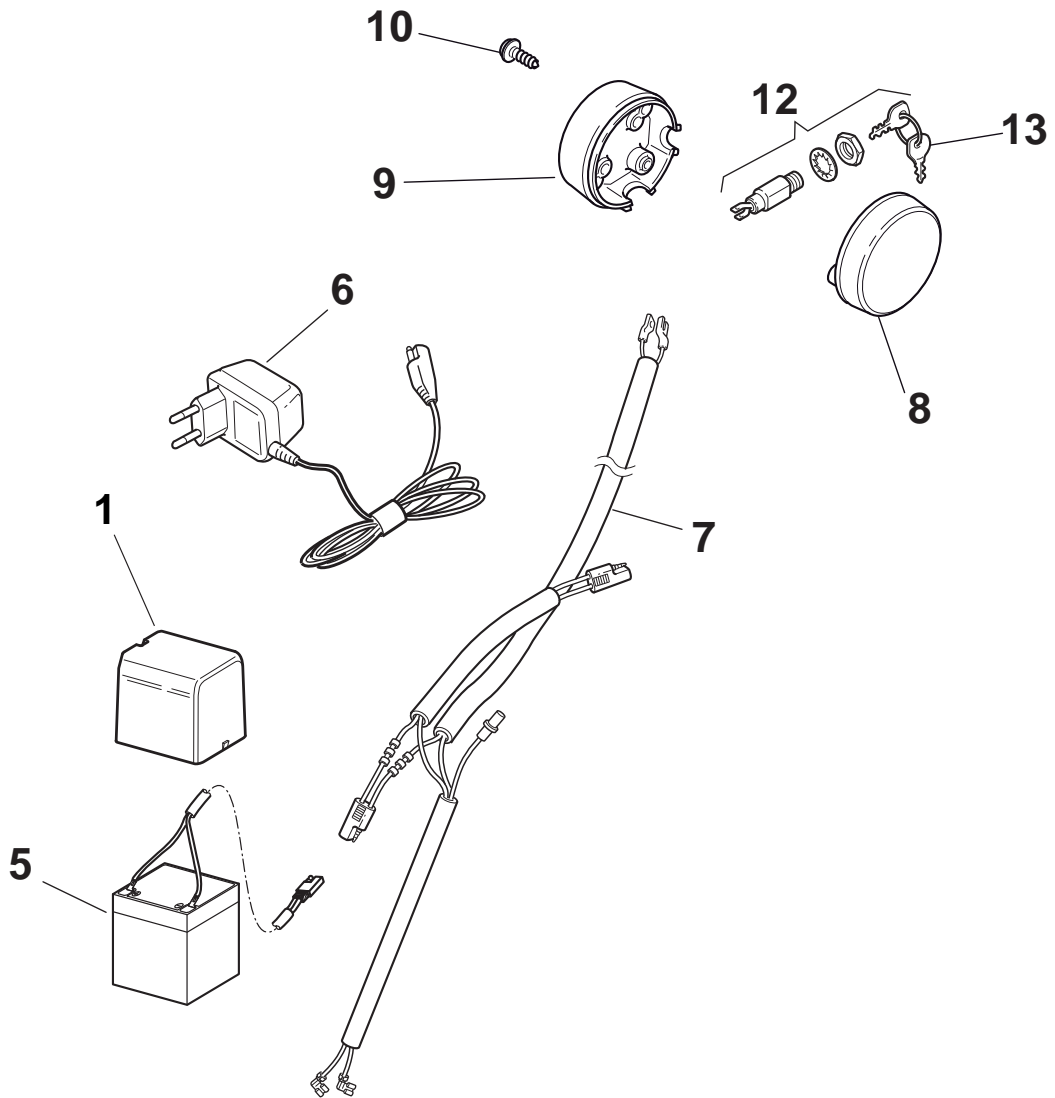
Handle, Upper Part - BBC

POS	PART. NO	Q.ty	DESCRIPTION	DESCRIZIONE	DESCRIPTION	BESCHREIBUNG	REMARKS
1	381006670/2	1	Handgrip	Impugnatura	Poignée	Handgriff	
2	381003349/0	1	Lever, Driving	Leva Trazione	Levier Traction	Antriebhebel	
3	381003346/0	1	Lever, Engine Brake	Leva Freno Motore	Levier Frein Moteur	Hebel, Motorbremse	
4	122430309/0	1	Spring	Molla	Ressort	Feder	
5	112154330/0	1	Nut	Dado	Ecrou	Mutter	
6	381007046/0	2	Handle Black	Manico Nero	Mancheron Noir,	Holm Schwarz	
6	381007047/0	2	Handle Grey	Manico Grigio	Mancheron Gris	Holm Grau	
7	112735662/1	4	Screw	Vite	Vis	Schraube	
8	322041967/1	3	Bush	Bussola	Douille	Büchse	
9	112154510/0	3	Nut	Dado	Ecrou	Mutter	
10	112728721/0	2	Screw	Vite	Vis	Schraube	
11	112727786/0	2	Screw	Vite	Vis	Schraube	
13	381030078/0	1	Cable, Rear Drive	Cavo Comando Trazione	Câble, Comm. Traction	Kabel, Antrieb	
14	181007145/0	1	Throttle Cable	Cavo Acceleratore	Cable, Accelérateur	Gashebel Kabel	for B&S Engine
14	181007199/0	1	Throttle Cable	Cavo Acceleratore	Cable, Accelérateur	Gashebel Kabel	for Honda Engine
15	322806644/0	1	Protection	Cappuccio	Capuchon	Stecker	
16	112727812/0	2	Screw	Vite	Vis	Schraube	
17	112523000/1	2	Washer	Rosetta	Rondelle	Scheibe	
19	322488301/0	1	Support , R	Supporto, Parte Dx	Support, D	Halter, Rechte	
20	322488303/0	1	Support, L	Supporto, Parte Sx	Support, G	Halter, Linke	
21	122671651/0	2	Washer	Rosetta	Rondelle	Scheibe	
22	112819105/0	2	Screw	Vite	Vis	Schraube	
23	322399804/1	2	Knob	Manopolina	Poignée	Griff	
24	112293200/0	2	Nut	Dado	Ecrou	Mutter	
25	112793301/0	2	Screw	Vite	Vis	Schraube	
26	112155000/0	2	Nut	Dado	Ecrou	Mutter	
27	118203854/0	2	Protection	Cappuccio	Capuchon	Stecker	
28	112727786/0	1	Screw	Vite	Vis	Schraube	
29	381030081/0	1	Cable, Mechanical Clutch	Cavo Comando Frizione Meccanica	Câble, Commande Embrayage Mecanique	Kabel, Mechanische Kupplung	
30	322000020/0	1	Support	Supporto	Support	Halter	



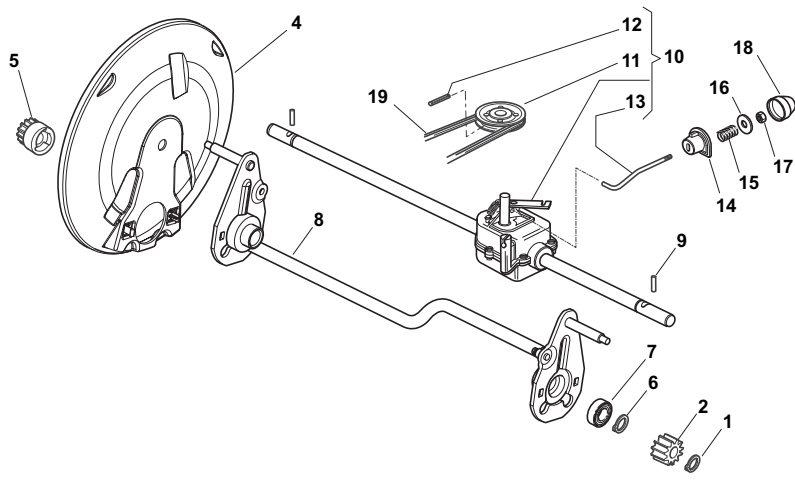
Electric Controls

POS	PART. NO	Q.ty	DESCRIPTION	DESCRIZIONE	DESCRIPTION	BESCHREIBUNG	REMARKS
1	118120052/0	1	Battery	Batteria	Batterie	Batterie	
2	118204192/3	1	Cable, Start	Cavo Avviamento	Cable Démarrage	Kabel, Start	for B&S-GGP Engine
2	118204198/0	1	Cable, Start	Cavo Avviamento	Cable Démarrage	Kabel, Start	for Honda Engine
3	118450051/0	1	Switch	Interruttore	Interrupteur	Schalter	
4	118204120/0	1	Battery Charger	Carica Batteria	Chargeur De Batterie	Ladgerät	CE plug
4	118204121/0	1	Battery Charger	Carica Batteria	Chargeur De Batterie	Ladgerät	UK plug
5	118210016/1	1	Starting Key	Chiave Avviamento	Clef A Demarrage	Schlüssel Für Start	
6	118210016/1	1	Starting Key	Chiave Avviamento	Clef A Demarrage	Schlüssel Für Start	



Electric Controls

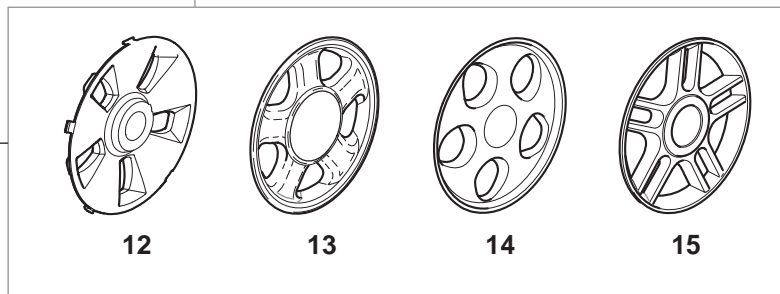
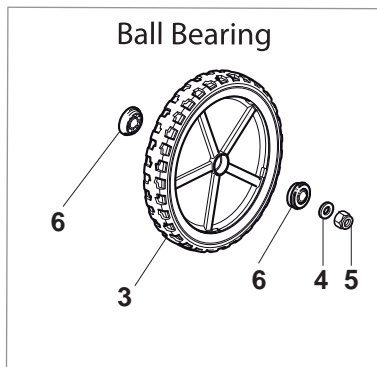
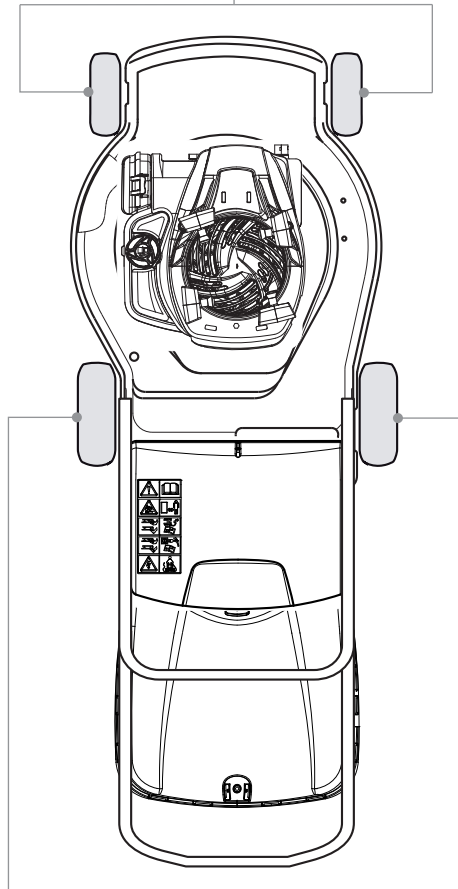
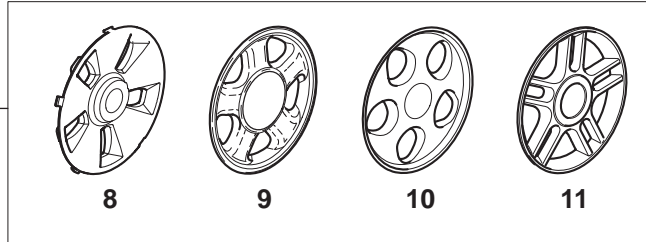
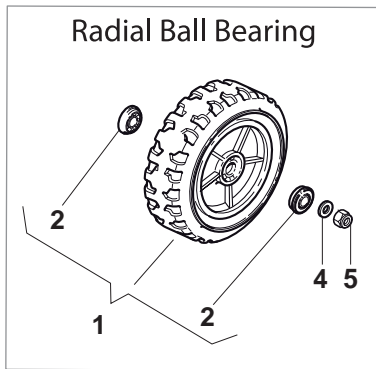
POS	PART. NO	Q.ty	DESCRIPTION	DESCRIZIONE	DESCRIPTION	BESCHREIBUNG	REMARKS
5	118120052/0	1	Battery	Batteria	Batterie	Batterie	
6	118204120/0	1	Battery Charger	Carica Batteria	Chargeur De Batterie	Ladgerät	CE plug
6	118204121/0	1	Battery Charger	Carica Batteria	Chargeur De Batterie	Ladgerät	UK plug
7	118204198/0	1	Cable, Start	Cavo Avviamento	Cable Démarrage	Kabel, Start	for Honda Engine
7	118204192/3	1	Cable, Start	Cavo Avviamento	Cable Démarrage	Kabel, Start	for B&S-GGP Engine
8	322722801/0	1	R Protection	Protezione Dx	Protection D	Rechte Schutz	
9	322722808/0	1	L Protection	Protezione Sx	Protection G	Linke Schutz	
10	112728702/0	2	Screw	Vite	Vis	Schraube	
12	118450051/0	1	Switch	Interruttore	Interrupteur	Schalter	
13	118210016/1	1	Starting Key	Chiave Avviamento	Clef A Demarrage	Schlüssel Für Start	



Rear Drive

POS	PART. NO	Q.ty	DESCRIPTION	DESCRIZIONE	DESCRIPTION	BESCHREIBUNG	REMARKS
1	112608600/0	2	Seeger	Seeger	Seeger	Seeger	
2	122570120/1	1	Pinion L	Pignone Sx	Pignon G	Ritzel Linkes	
4	322600160/0	2	Protection, Wheel	Protezione Ruote	Protection Roue	Schütz, Räder	
5	122570110/1	1	Pinion R	Pignone Dx	Pignon D	Ritzel Rechtes	
6	112608600/0	2	Seeger	Seeger	Seeger	Seeger	
7	119216035/0	2	Bearing	Cuscinetto	Coussinet	Lager	
8	381002863/0	1	Axle, Rear Wheels	Asse Ruote Posteriore	Axe Roues Arriere	Achse, Hinterrad	
9	122753000/0	2	Pin	Perno	Pivot	Bolzen	
10	181003079/1	1	Gear Box	Gruppo Trazione	Groupe Traction	Antrieb	
11	122601909/0	1	Pulley	Puleggia	Poulie	Riemenscheibe	
12	112645705/0	1	Pin	Perno	Pivot	Bolzen	
13	122033281/0	1	Adjustment Rod	Asta Regolazione	Tige Reglage	Verstellungstange	
14	122041957/1	1	Bush	Bussola	Douille	Büchse	
15	122450063/0	1	Spring	Molla	Ressort	Feder	
16	322680009/0	1	Washer	Rosetta	Rondelle	Scheibe	
17	112154510/0	1	Nut	Dado	Ecrou	Mutter	
18	122110230/0	1	Cap	Puntale	Bouchon	Gummistopfen	
19	135064195/0	1	Belt	Cinghia	Courroire	Riemen	

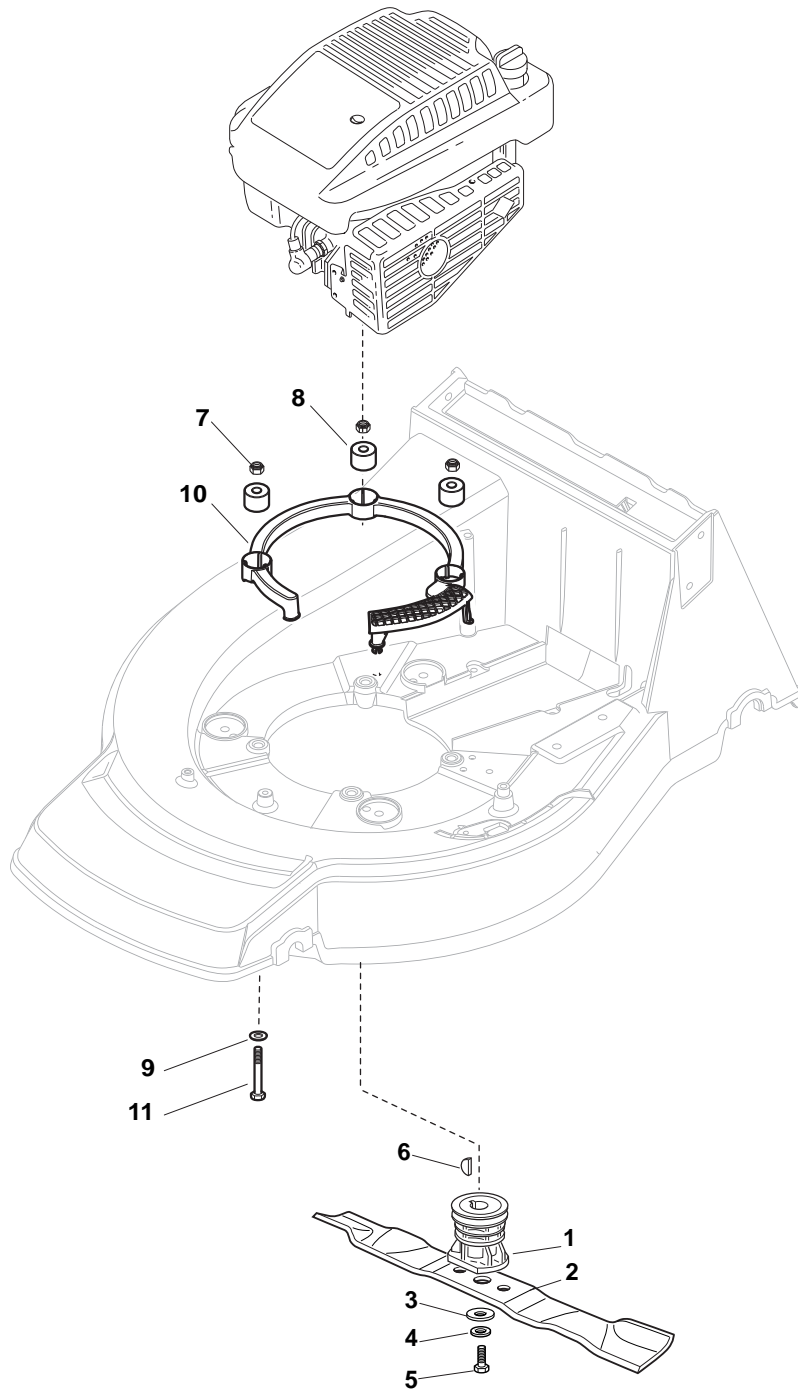
Eco Stiga Wheels - Ø 210



Eco Stiga Wheels - Ø 300

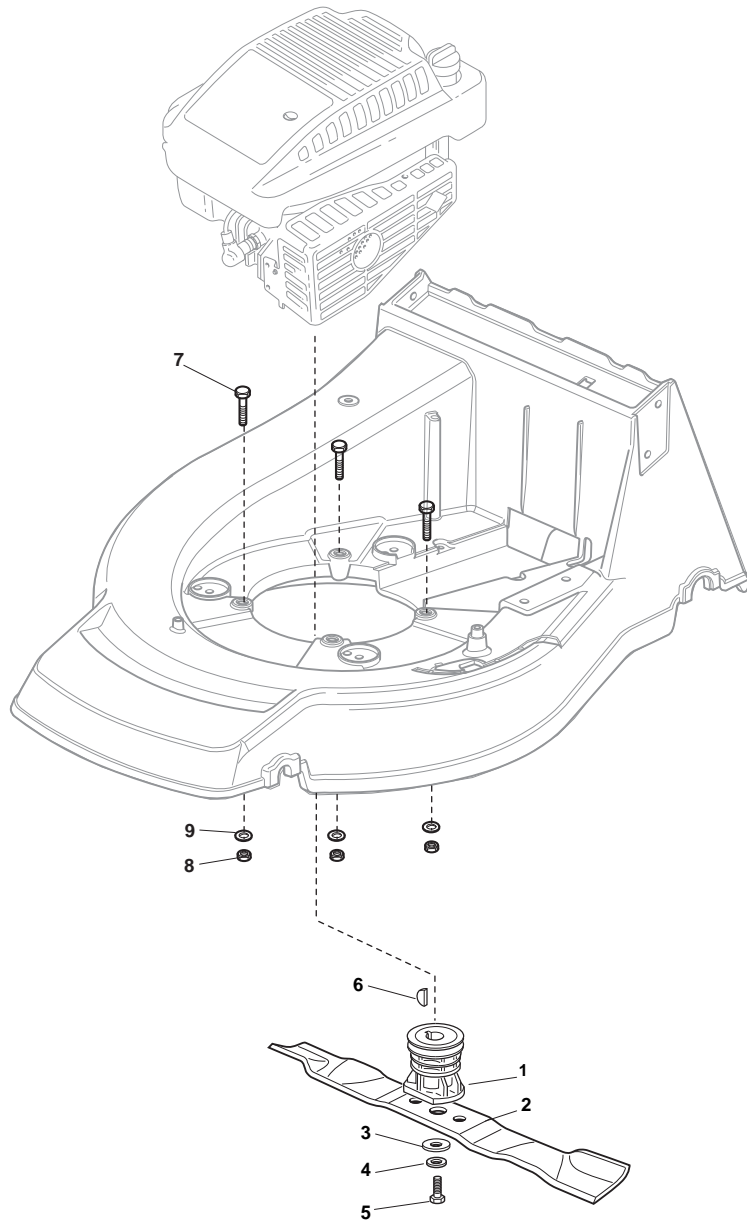
Wheels and Hub Caps

POS	PART. NO	Q.ty	DESCRIPTION	DESCRIZIONE	DESCRIPTION	BESCHREIBUNG	REMARKS
1	381007490/0	2	Wheel Ø 210	Ruota Ø 210	Rad. Ø 210	Roue Ø 210	
2	119216035/0	4	Bearing	Cuscinetto	Lager	Coussinet	
3	381007391/1	2	Wheel Ø 210	Ruota Ø 210	Rad. Ø 210	Roue Ø 210	Aluminium
4	112521350/0	8	Washer	Rosetta	Scheibe	Rondelle	
5	112155000/0	8	Nut	Dado	Mutter	Ecrou	
6	122122200/0	4	Hub Cap	Coprizzo	Couvre Moyeu	Nabendeckel	Grey
8	322110643/0	2	Hub Cap	Coprizzo	Couvre Moyeu	Nabendeckel	Grey
9	322110382/0	2	Hub Cap	Coprizzo	Couvre Moyeu	Nabendeckel	Grey
10	322110417/0	2	Hub Cap	Coprizzo	Couvre Moyeu	Nabendeckel	Grey
11	322110492/0	2	Hub Cap	Coprizzo	Couvre Moyeu	Nabendeckel	Grey
11	322110563/0	2	Hub Cap	Coprizzo	Couvre Moyeu	Nabendeckel	Yellow
12	322110644/0	2	Hub Cap	Coprizzo	Couvre Moyeu	Nabendeckel	Grey
13	322110511/0	2	Hub Cap	Coprizzo	Couvre Moyeu	Nabendeckel	Grey
14	322110590/0	2	Hub Cap	Coprizzo	Couvre Moyeu	Nabendeckel	Grey
15	322110560/0	2	Hub Cap	Coprizzo	Couvre Moyeu	Nabendeckel	Grey
15	322110564/0	2	Hub Cap	Coprizzo	Couvre Moyeu	Nabendeckel	Yellow



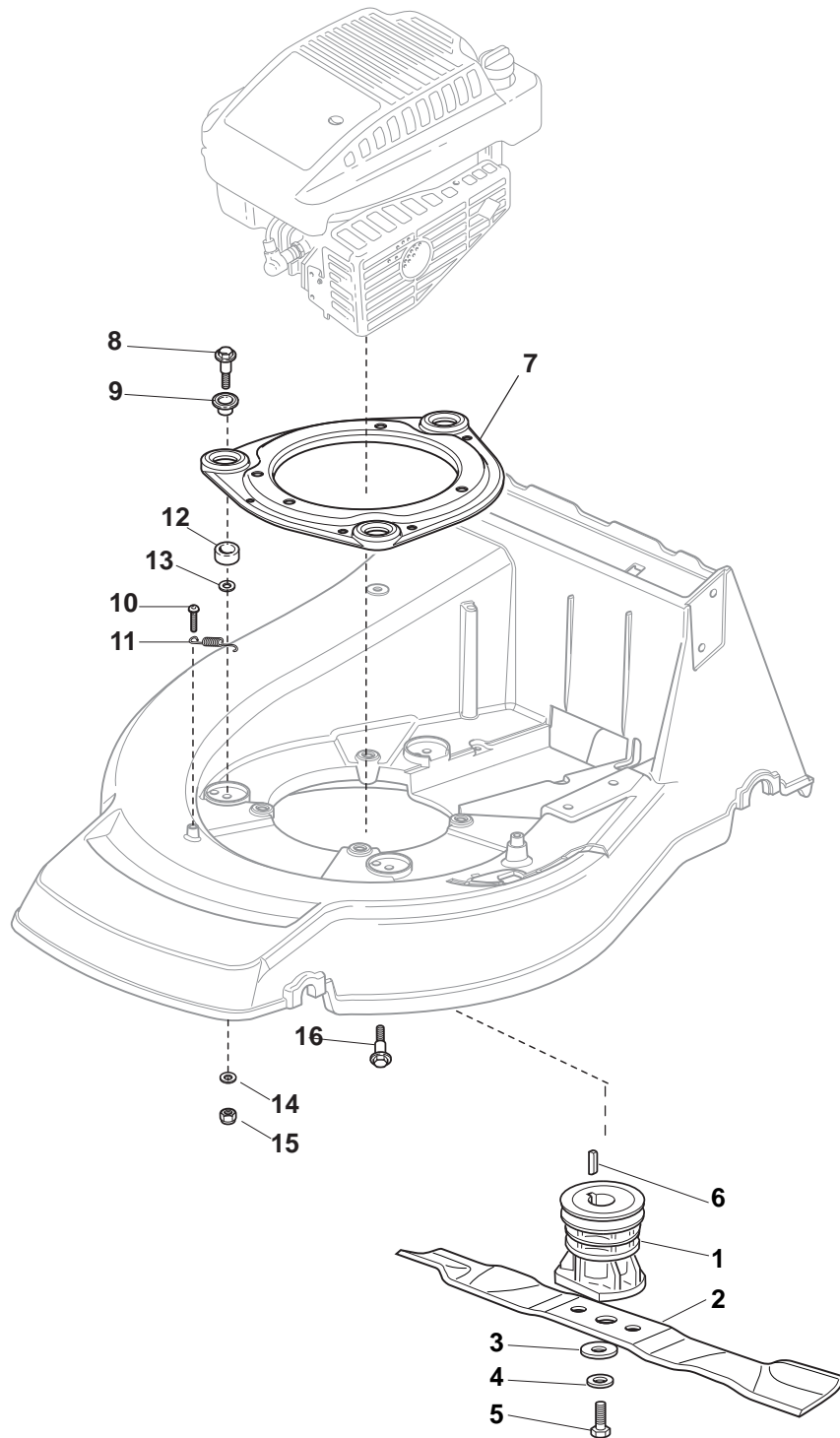
Blade for B&S E Series

POS	PART. NO	Q.ty	DESCRIPTION	DESCRIZIONE	DESCRIPTION	BESCHREIBUNG	REMARKS
1	122465638/1	1	Hub With Pulley, Crankshaft Ø 22.2	Mozzo Con Puleggia, Albero Motore Ø 22.2	Moyeu Avec Poulie, Arbre Moteur Ø 22.2	Nabe Mit Scheibe, Motorwelle Ø 22.2	
2	181004381/1	1	Blade Standard	Coltello Standard	Lame Standard	Messer Standard	
3	122160400/0	1	Washer	Rosetta	Rondelle	Scheibe	
4	112523080/0	1	Washer	Rosetta	Rondelle	Scheibe	
5	112736815/0	1	Screw	Vite	Vis	Schraube	
6	112139100/0	1	Feather, Crankshaft Ø 22.2	Linguetta, Albero Motore Ø 22.2	Clavette, Arbre Moteur Ø 22.2	Keil, Motorwelle Ø 22.2	
7	112154210/0	3	Nut	Dado	Ecrou	Mutter	
8	122170835/0	3	Spacer	Distanziale	Entretoise	Distanzring	
9	112521350/0	3	Washer	Rosetta	Rondelle	Scheibe	
10	322170964/0	1	Protection	Protezione	Protection	Schutz	
11	112692050/0	3	Screw	Vite	Vis	Schraube	



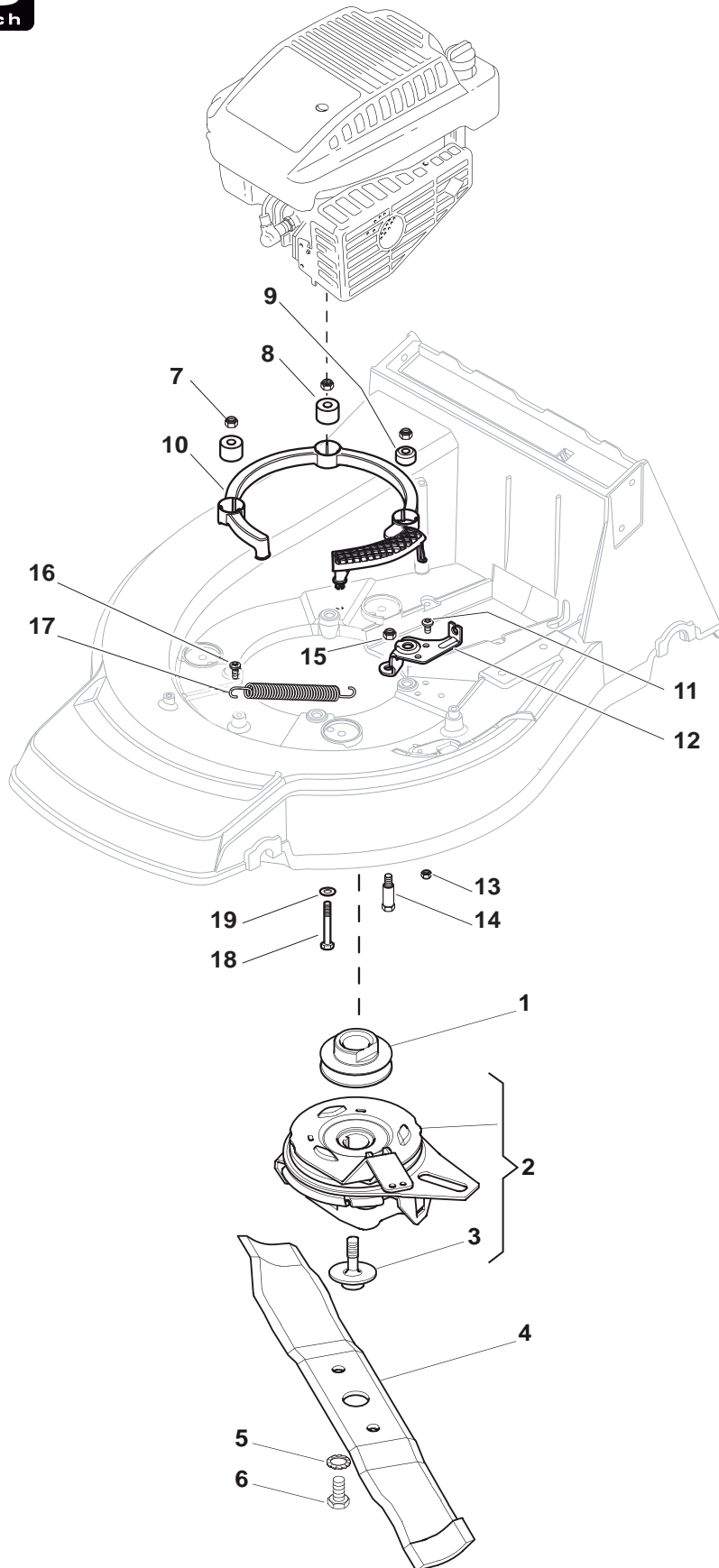
Blade

POS	PART. NO	Q.ty	DESCRIPTION	DESCRIZIONE	DESCRIPTION	BESCHREIBUNG	REMARKS
1	122465607/3	1	Hub With Pulley, Crankshaft Ø 22.2	Mozzo Con Puleggia, Albero Motore Ø 22.2	Moyeu Avec Poulie, Arbre Moteur Ø 22.2	Nabe Mit Scheibe, Motorwelle Ø 22.2	for B&S - GGP Engine
1	122465608/2	1	Hub With Pulley, Crankshaft Ø 25	Mozzo Con Puleggia, Albero Motore Ø 25	Moyeu Avec Poulie, Arbre Moteur Ø 25	Nabe Mit Scheibe, Motorwelle Ø 25	for Honda Engine
2	181004381/1	1	Blade Standard	Coltello Standard	Lame Standard	Messer Standard	
2	181004366/2	1	Blade Standard	Coltello Standard	Lame Standard	Messer Standard	
3	122160400/0	1	Elastic Washer	Disco Elastico	Disque Elastique	Federscheibe	
4	112523080/0	1	Washer	Rosetta	Rondelle	Scheibe	
5	112735698/0	1	Screw	Vite	Vis	Schraube	
6	112139100/0	1	Feather, Crankshaft Ø 22.2	Linguetta, Albero Motore Ø 22.2	Clavette, Arbre Moteur Ø 22.2	Keil, Motorwelle Ø 22.2	for B&S - GGP Engine
6	112139150/0	1	Feather, Crankshaft Ø 25	Linguetta, Albero Motore Ø 25	Clavette, Arbre Moteur Ø 25	Keil, Motorwelle Ø 25	for Honda Engine
7	112691900/0	3	Screw	Vite	Vis	Schraube	
7	112691600/0	3	Screw	Vite	Vis	Schraube	
7	112691800/0	2	Screw	Vite	Vis	Schraube	
7	112692080/0	1	Screw	Vite	Vis	Schraube	
7	112691900/0	3	Screw	Vite	Vis	Schraube	
8	112155000/0	3	Nut	Dado	Ecrou	Mutter	
9	112521350/0	3	Washer	Rosetta	Rondelle	Washer	



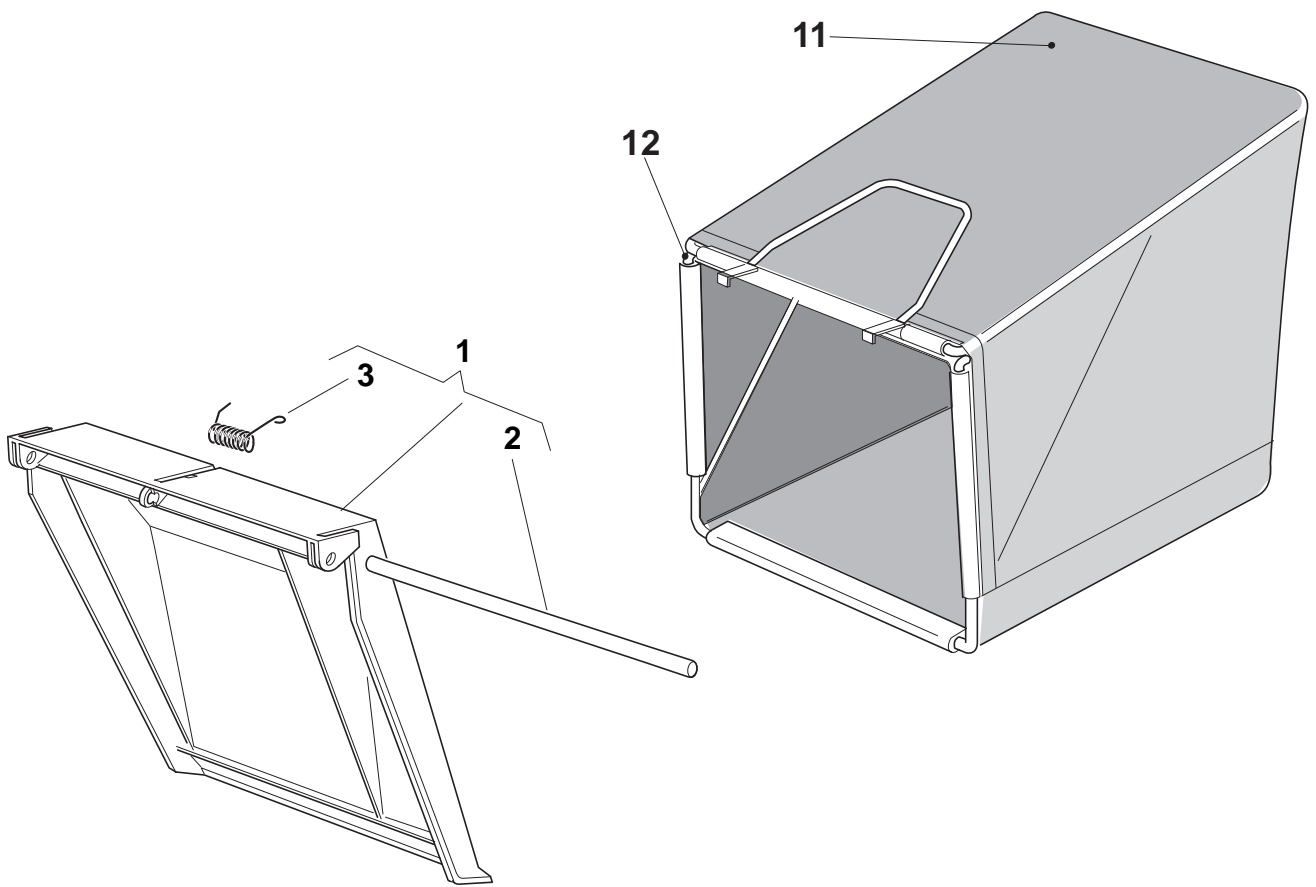
Blade AVS

POS	PART. NO	Q.ty	DESCRIPTION	DESCRIZIONE	DESCRIPTION	BESCHREIBUNG	REMARKS
1	122465638/1	1	Hub With Pulley, Crankshaft Ø 22.2	Mozzo Con Puleggia, Albero Motore Ø 22.2	Moyeu Avec Poulie, Arbre Moteur Ø 22.2	Nabe Mit Scheibe, Motorwelle Ø 22.2	for B&S - GGP Engine
1	122465639/1	1	Hub With Pulley, Crankshaft Ø 25	Mozzo Con Puleggia, Albero Motore Ø 25	Moyeu Avec Poulie, Arbre Moteur Ø 25	Nabe Mit Scheibe, Motorwelle Ø 25	for Honda Engine
2	181004383/0	1	Blade, Avs	Coltello, Avs	Lame, Avs	Messer, Avs	
3	122160400/0	1	Elastic Washer	Disco Elastico	Disque Elastique	Federscheibe	
4	112523080/0	1	Washer	Rosetta	Rondelle	Scheibe	
5	112736815/0	1	Screw	Vite	Vis	Schraube	
6	112139100/0	1	Feather, Crankshaft Ø 22.2	Linguetta, Albero Motore Ø 22.2	Clavette, Arbre Moteur Ø 22.2	Keil, Motorwelle Ø 22.2	for B&S - GGP Engine
6	112139150/0	1	Feather, Crankshaft Ø 25	Linguetta, Albero Motore Ø 25	Clavette, Arbre Moteur Ø 25	Keil, Motorwelle Ø 25	for Honda Engine
7	322207223/0	1	Flange	Flangia	Bride	Flansch	
8	122524329/0	3	Pin	Perno	Pivot	Bolzen	
9	322672201/0	3	Washer	Rosetta	Rondelle	Scheibe	
10	112729601/1	1	Screw	Vite	Vis	Schraube	
11	122450445/0	1	Spring	Molla	Ressort	Feder	
12	322250012/0	3	Grommet	Gommino	Caoutchouc	Gummi	
13	122671651/0	3	Washer	Rosetta	Rondelle	Scheibe	
14	112521350/0	3	Washer	Rosetta	Rondelle	Scheibe	
15	112155000/0	3	Nut	Dado	Ecrou	Mutter	
16	112735108/1	3	Screw	Vite	Vis	Schraube	



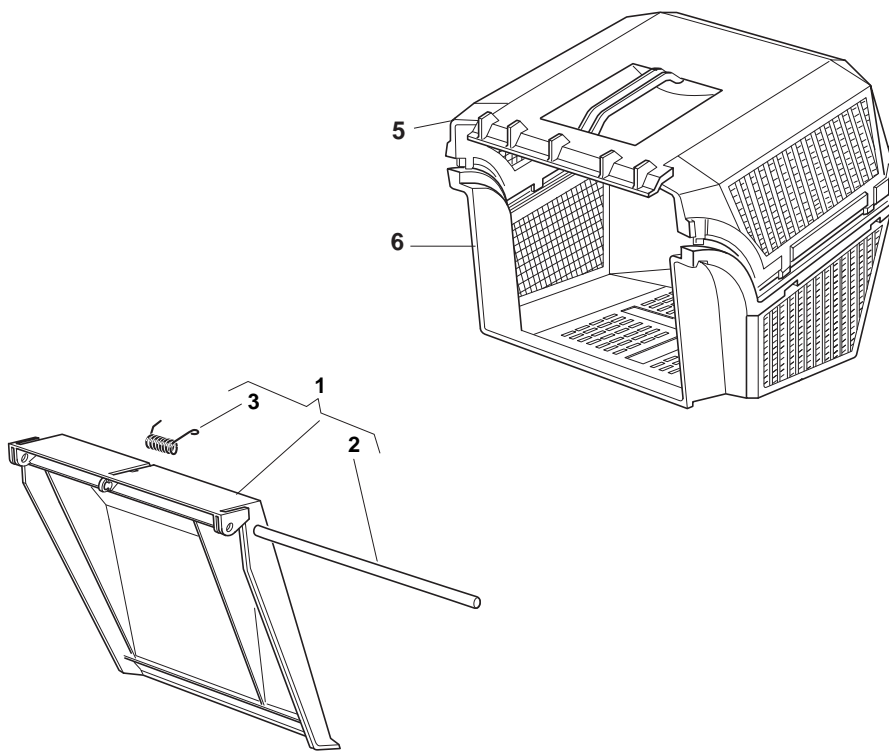
Blade BBC

POS	PART. NO	Q.ty	DESCRIPTION	DESCRIZIONE	DESCRIPTION	BESCHREIBUNG	REMARKS
1	122601922/0	1	Pulley, Crankshaft Ø 22.2	Puleggia, Albero Motore Ø 22.2	Poulie, Arbre Moteur Ø 22.2	Riemenscheibe, Motorwelle Ø 22.2	for B&S - GGP Engine
1	122601923/0	1	Pulley, Crankshaft Ø 25	Puleggia, Albero Motore Ø 25	Poulie, Arbre Moteur Ø 25	Riemenscheibe, Motorwelle Ø 25	for Honda Engine
2	118399052/0	1	Mechanical Clutch	Ass. Frizione Meccanica	Embrayage Mecanique	Mechanische Kupplung	
3	112735460/0	1	Screw	Vite	Vis	Schraube	
4	181004382/0	1	Blade Standard	Coltello Standard	Lame Standard	Messer Standard	
5	112540070/0	2	Washer	Rosetta	Rondelle	Scheibe	
6	112794110/0	2	Screw	Vite	Vis	Schraube	
7	112154210/0	3	Nut	Dado	Ecrou	Mutter	
8	122170835/0	2	Spacer	Distanziale	Entretoise	Distanzring	
9	122170836/1	1	Spacer	Distanziale	Entretoise	Distanzring	
10	322170961/0	1	Protection	Cappuccio	Capuchon	Stecker	
11	112735664/0	2	Screw	Vite	Vis	Schraube	
12	322551665/0	1	Plate For Cable Fastening	Piastrina Fissaggio Cavo	Plaquette Fixage Câble	Platte Kabelbefestigung	
13	112154510/0	2	Nut	Dado	Ecrou	Mutter	
14	125580018/0	1	Pin	Perno	Pivot	Bolzen	
15	112155000/0	1	Nut	Dado	Ecrou	Mutter	
16	112735664/0	1	Screw	Vite	Vis	Schraube	
17	122446188/0	1	Spring	Molla	Ressort	Feder	
18	112692050/0	3	Screw	Vite	Vis	Schraube	for B&S - GGP Engine
18	112692080/0	3	Screw	Vite	Vis	Schraube	for Honda Engine
19	112521350/0	3	Washer	Rosetta	Rondelle	Scheibe	



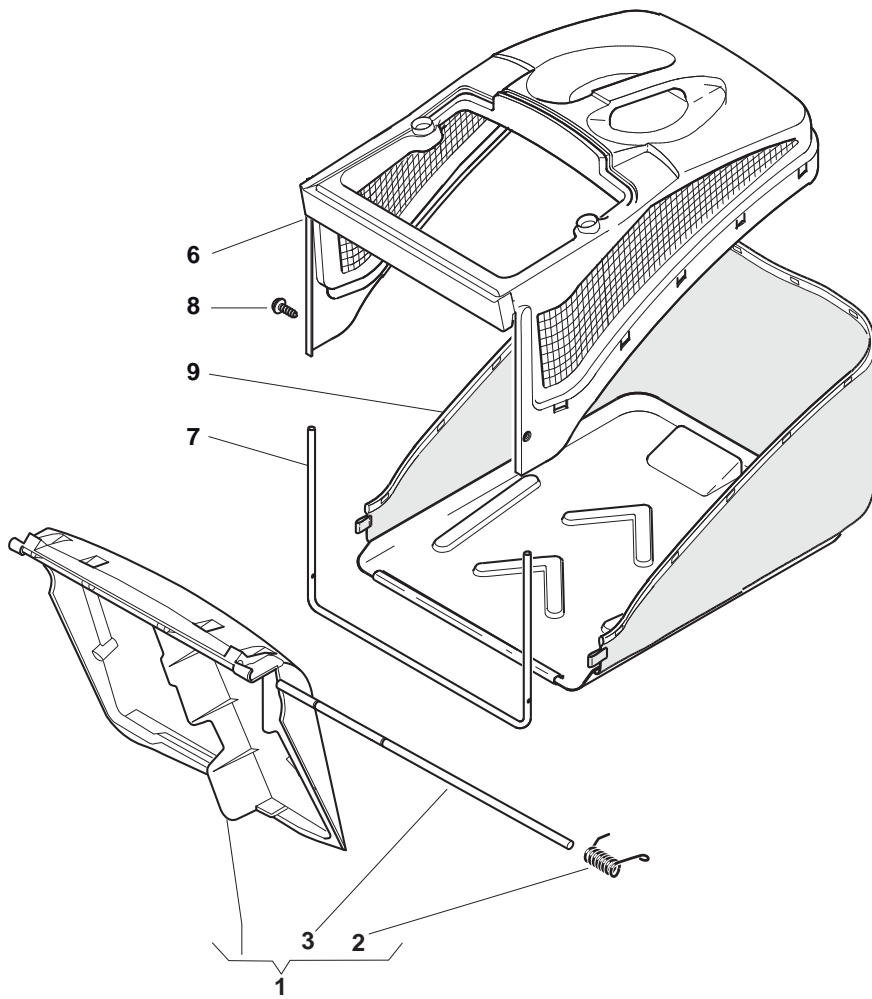
Grass-Catcher

POS	PART. NO	Q.ty	DESCRIPTION	DESCRIZIONE	DESCRIPTION	BESCHREIBUNG	REMARKS
1	381008044/0	1	Stone-Guard	Parasassi	Pare-Pierres	Prallblech	Black
2	122517856/1	1	Pin	Perno	Pivot	Bolzen	
3	122450270/0	1	Spring	Molla	Ressort	Feder	
11	181002124/1	1	Box, Fabric	Sacco, Tela	Sac, Toile	Sack, Tuck	
12	181006430/0	1	Chassis Box	Telaio Sacco	Châssis Bac	Rahmen Sack	



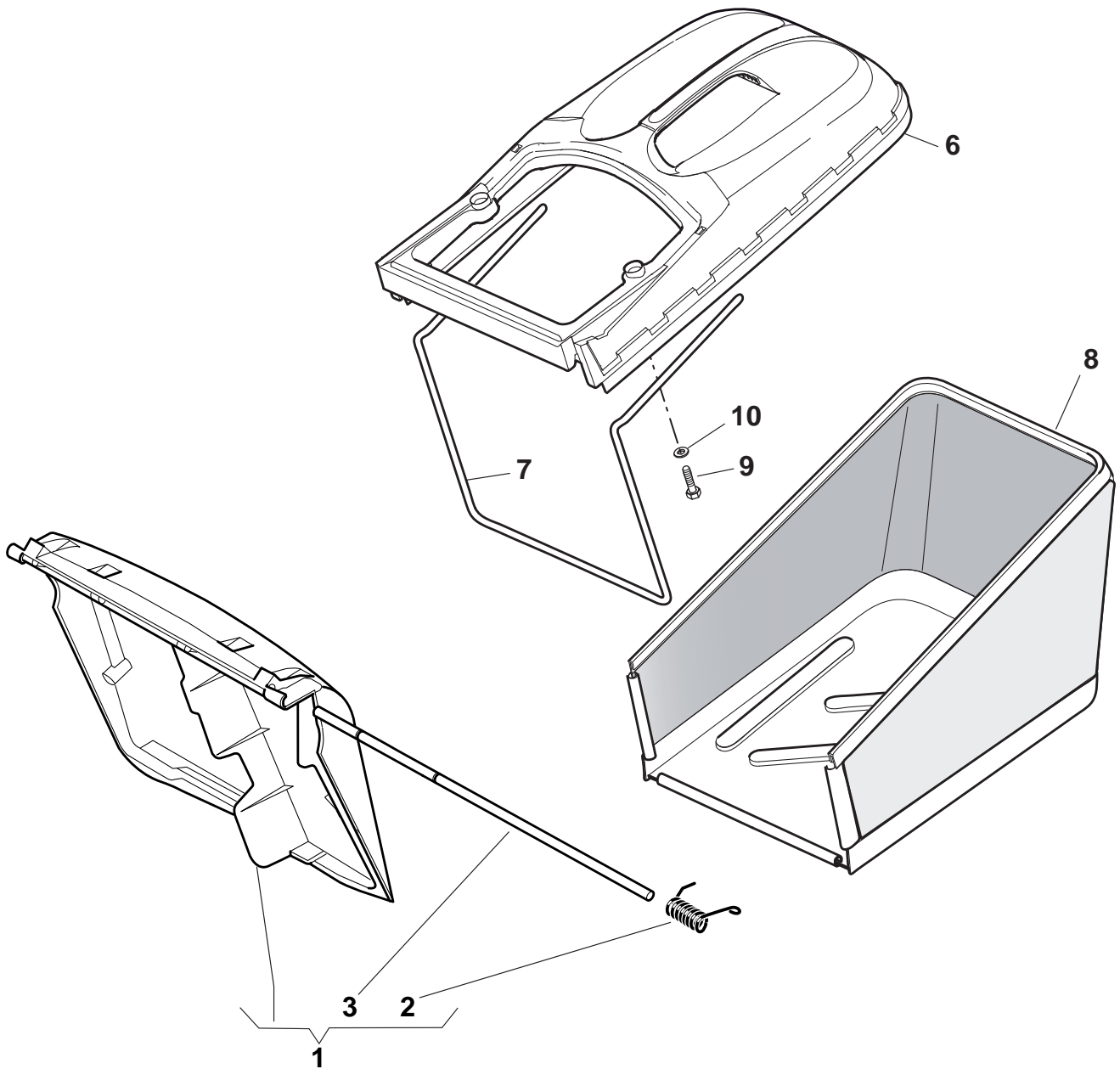
Grass-Catcher

POS	PART. NO	Q.ty	DESCRIPTION	DESCRIZIONE	DESCRIPTION	BESCHREIBUNG	REMARKS
1	381008044/0	1	Stone-Guard	Parasassi	Pare-Pierres	Prallblech	Black
2	122517856/1	1	Pin	Perno	Pivot	Bolzen	
3	122450270/0	1	Spring	Molla	Ressort	Feder	
5	122486065/0	1	Grass-Box, Upper	Sacco, Parte Sup	Sac, Partie Superieure	Korb, Oberteil	
6	122486064/0	1	Grass-Box, Lower	Sacco, Parte Inf	Sac, Partie Inferieure	Korb, Unterteil	



Grass-Catcher

POS	PART. NO	Q.ty	DESCRIPTION	DESCRIZIONE	DESCRIPTION	BESCHREIBUNG	REMARKS
1	381008050/0	1	Stone-Guard Black	Parasassi Nero	Pare-Pierres, Noir	Prallblech, Schwarz	
2	122451000/0	1	Spring	Molla	Ressort	Feder	
3	122517856/1	1	Pin	Perno	Pivot	Bolzen	
6	122486094/0	1	Grass-Box, Upper	Sacco, Parte Sup	Sac, Partie Superieure	Korb, Oberteil	
7	122608524/0	1	Stiffening Lower	Rinforzo Inf	Réinforcement Inf	Verstärkung Untere	
8	112728445/0	2	Screw	Vite	Vis	Schraube	
9	181002196/0	1	Box, Fabric	Sacco, Tela	Sac, Toile	Sack, Tuck	



Grass-Catcher

POS	PART. NO	Q.ty	DESCRIPTION	DESCRIZIONE	DESCRIPTION	BESCHREIBUNG	REMARKS
1	381008050/0	1	Stone-Guard Black	Parasassi Nero	Pare-Pierres, Noir	Prallblech, Schwarz	
2	122451000/0	1	Spring	Molla	Ressort	Feder	
3	122517856/1	1	Pin	Perno	Pivot	Bolzen	
6	322486102/0	1	Grass-Box, Upper	Sacco, Parte Sup	Sac, Partie Superieure	Korb, Oberteil	
7	122608526/0	1	Stiffening Lower	Rinforzo Inf	Réinforcement Inf	Verstärkung Untere	
8	181002212/0	1	Box, Fabric	Sacco, Tela	Sac, Toile	Sack, Tuck	
9	112728680/0	2	Screw	Vite	Vis	Schraube	
10	112523050/0	2	Washer	Rosetta	Rondelle	Scheibe	