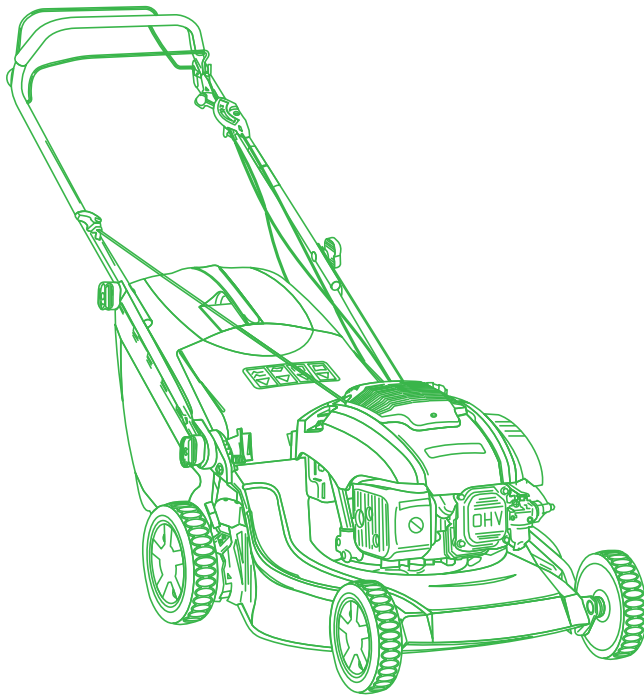


ILLUSTRATED PARTS LIST

CRC 534 SE
CRC 534 SQE
CSC 534 SE
CSC 534 SQE



- Use GLOBAL GARDEN PRODUCT Genuine Spare Parts specified in the parts list for repair and/or replacement.
- The contents described in the parts list may change due to improvement.
- The drawings of the spare parts are only indicative and might not represent the part in question exactly.
- The indications "right" - "left" - "front" - "rear" refer to the position of the operator when using the machine.
- When placing orders of parts for repair and/or replacement, make sure that the illustrated parts list is the one applying to the machine's year of manufacture, as shown on the identification plate attached to the machine.

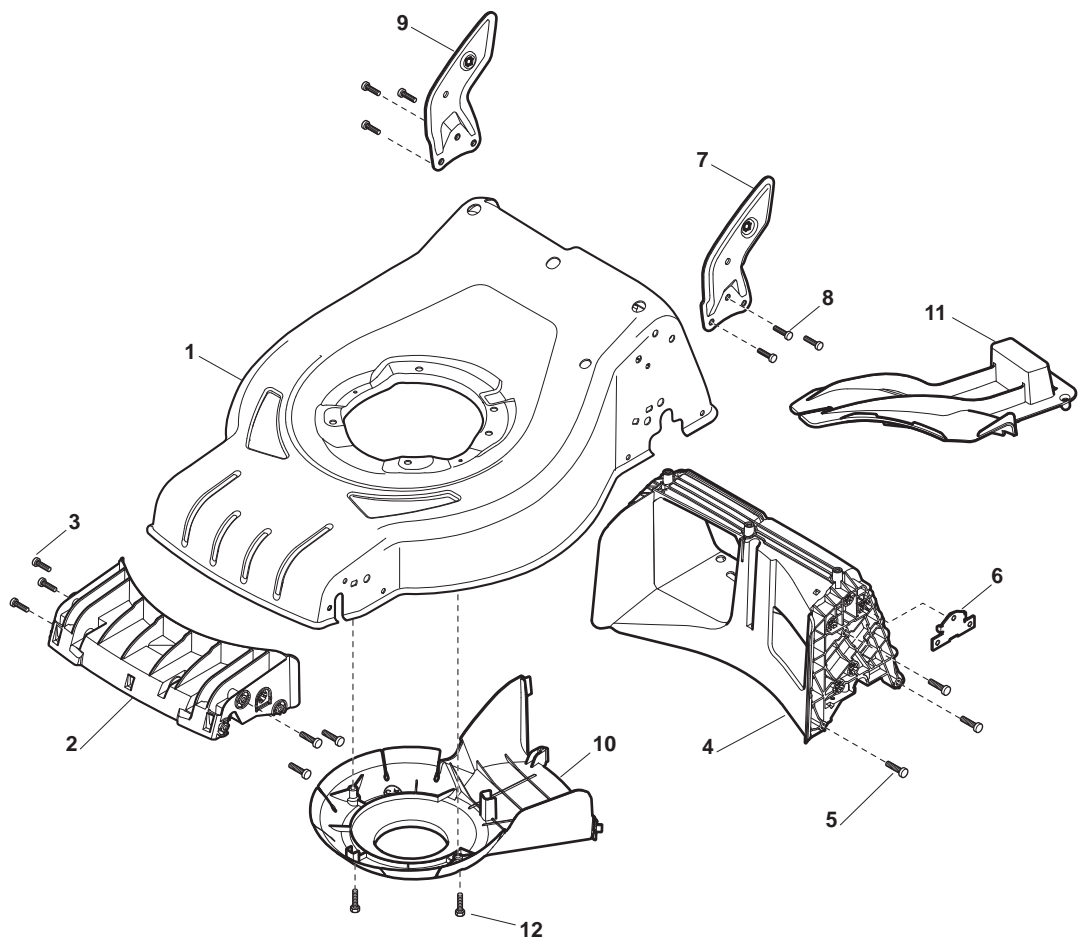
© Copyright 2014 Global Garden Products

All content is subject to copyright by Global Garden Products and may not be reproduced in whole or in part by any means, electronic or otherwise, without prior written approval.

THIS INFORMATION IS NOT INTENDED FOR SALE OR RESALE, AND THIS NOTICE MUST REMAIN ON ALL COPIES.

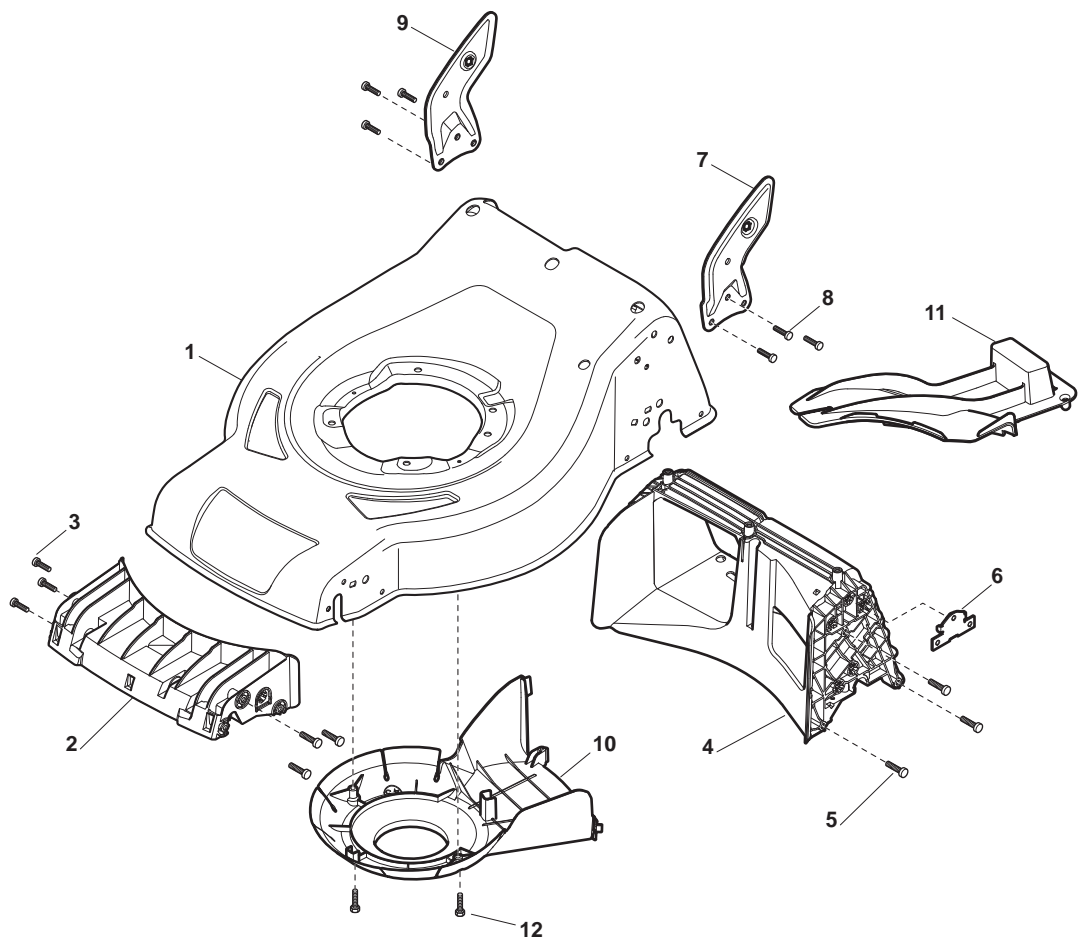


GLOBAL GARDEN PRODUCTS



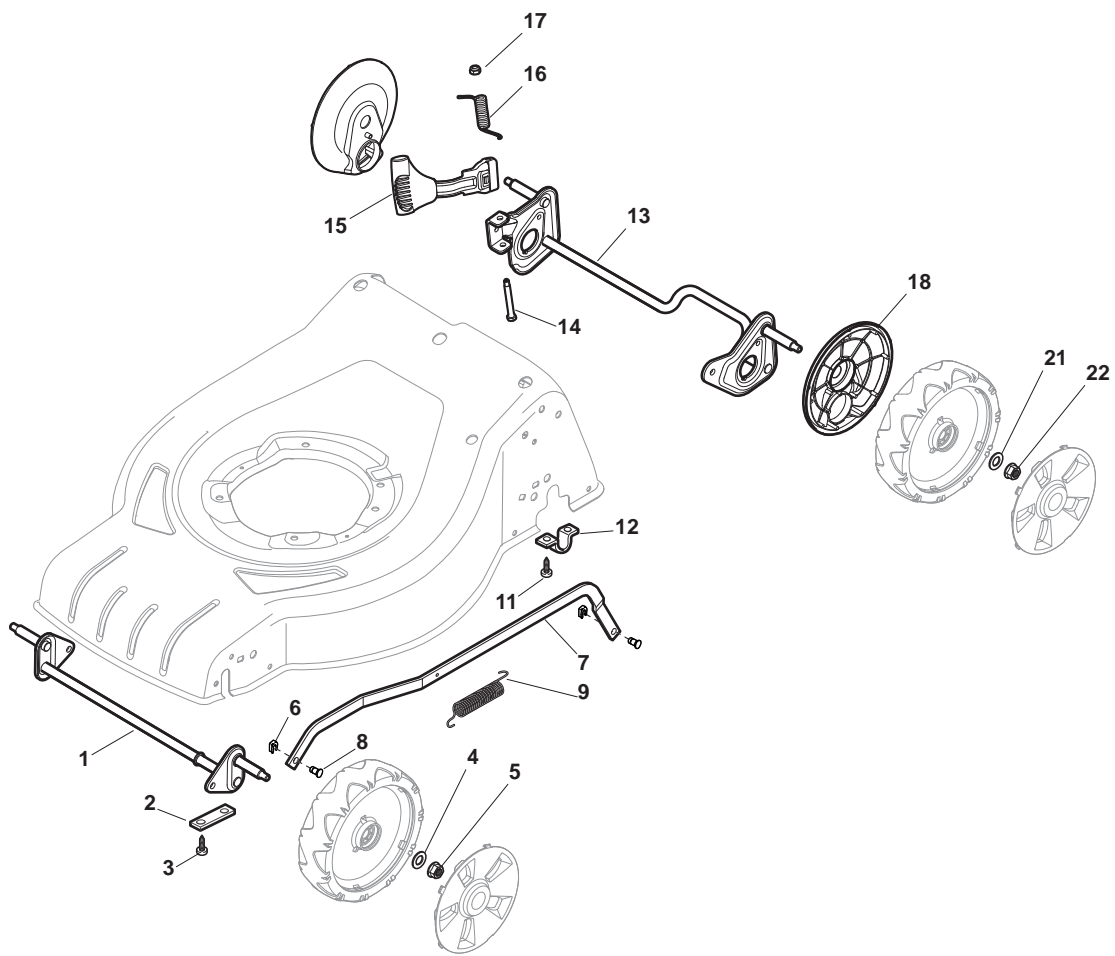
Deck - CR

POS	PART. NO	Q.ty	DESCRIPTION	DESCRIZIONE	DESCRIPTION	BESCHREIBUNG	REMARKS
1	381004730/0	1	Deck Grey	Chassis Grigio	Châssis Gris	Gehäuse Grau	
1	381004617/0	1	Deck Red	Chassis Rosso	Châssis Rouge	Gehäuse Rot	Side Discharge
2	322108308/0	1	Front Conveyor Assy	Convogl. Anteriore	Ens. Convoyeur Avant	Hinterleitblechvorder	
3	112728699/0	6	Screw	Vite	Vis	Schraube	
4	322108302/0	1	Rear Conveyor Assy	Convogl. Posteriore	Ens. Convoyeur Post.	Hinterleitblechsatz	
5	112728699/0	6	Screw	Vite	Vis	Schraube	
6	322545213/0	2	Plate	Piastrina	Plaquette	Plättchen	
7	381005139/0	1	Bracket, L	Staffa Sx	Etrier Gauche	Steigbügel, Linke	
8	112727801/0	6	Screw	Vite	Vis	Schraube	
9	381005137/0	1	Bracket, R	Staffa Dx	Etrier Droit	Steigbügel, Rechte	
10	322060250/0	1	Protection, Belt	Carter Cinghia	Protection Courroie	Schutz, Riemen	
11	322140244/0	1	Deflector	Deflettore	Deflecteur	Abweiser	
12	112728530/0	2	Screw	Vite	Vis	Schraube	



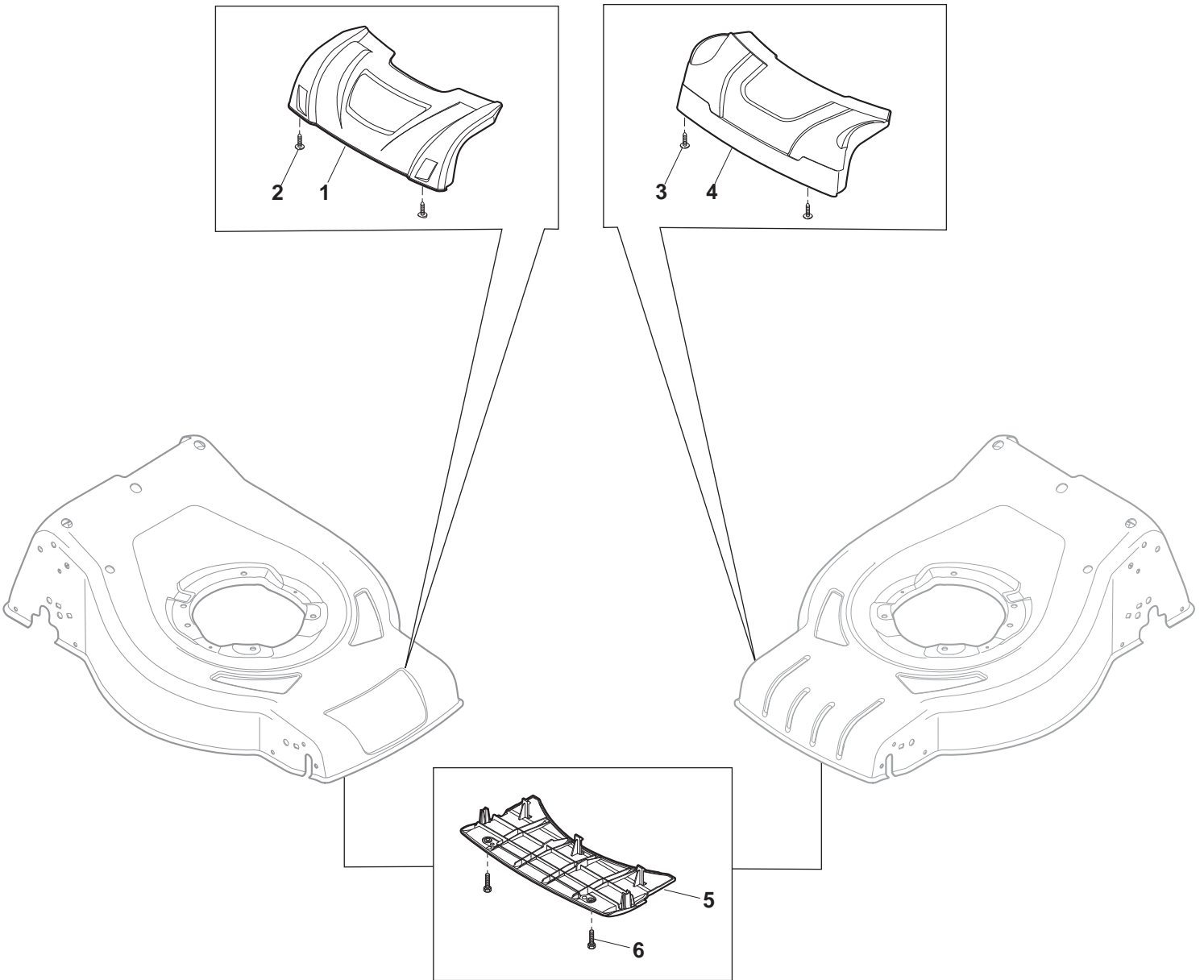
Deck - CS

POS	PART. NO	Q.ty	DESCRIPTION	DESCRIZIONE	DESCRIPTION	BESCHREIBUNG	REMARKS
1	381004546/0	1	Deck Red	Chassis Rosso	Châssis Rouge	Gehäuse Rot	
1	381004547/0	1	Deck Red	Chassis Rosso	Châssis Rouge	Gehäuse Rot	Side Discharge
1	381004549/0	1	Deck Black	Chassis Nero	Châssis Noir	Gehäuse Schwarz	
2	322108308/0	1	Front Conveyor Assy	Convogl. Anteriore	Ens. Convoyeur Avant	Hinterleitblechsatz	
3	112728699/0	6	Screw	Vite	Vis	Schraube	
4	322108302/0	1	Rear Conveyor Assy	Convogl. Posteriore	Ens. Convoyeur Post.	Hinterleitblechsatz	
5	112728699/0	6	Screw	Vite	Vis	Schraube	
6	322545213/0	2	Plate	Piastrina	Plaquette	Plättchen	
7	381005139/0	1	Bracket, L	Staffa Sx	Etrier Gauche	Steigbügel, Linke	
8	112727801/0	6	Screw	Vite	Vis	Schraube	
9	381005137/0	1	Bracket, R	Staffa Dx	Etrier Droit	Steigbügel, Rechte	
10	322060250/0	1	Protection, Belt	Carter Cinghia	Protection Courroie	Schutz, Riemen	
11	322140244/0	1	Mulching Plug	Tappo Mulching	Bouchon Mulching	Gummistopfen Mulching	
12	112728530/0	2	Screw	Vite	Vis	Schraube	

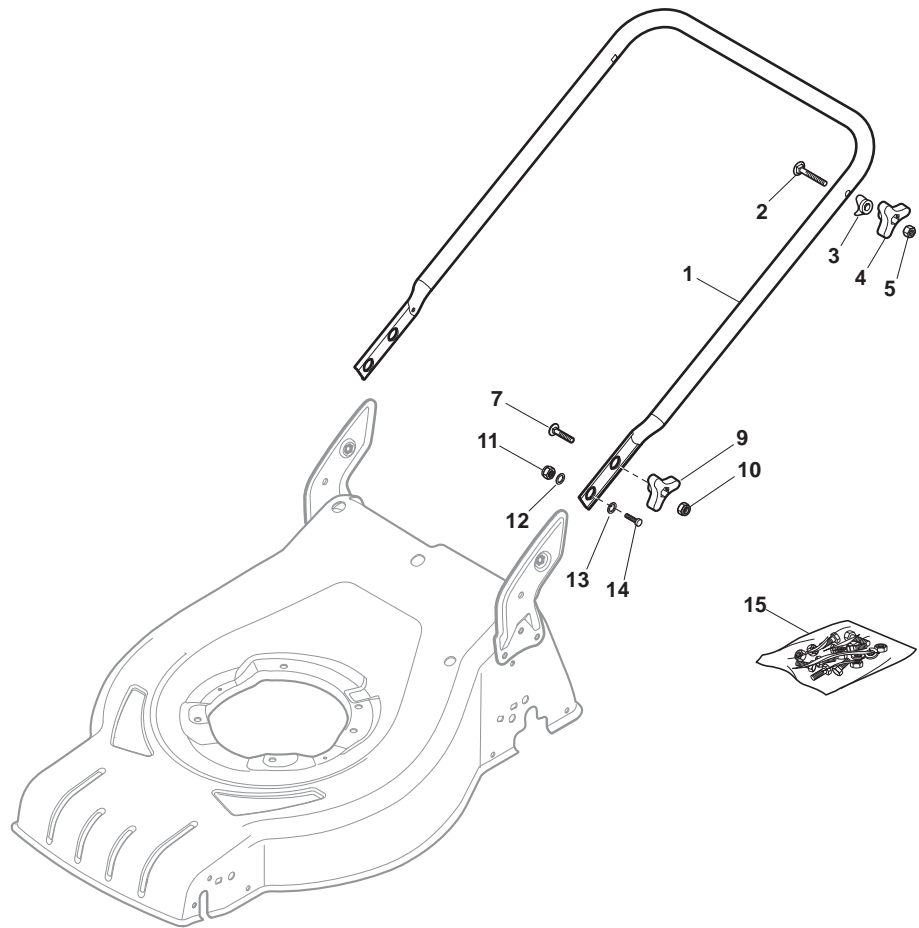


Deck And Height Adjusting

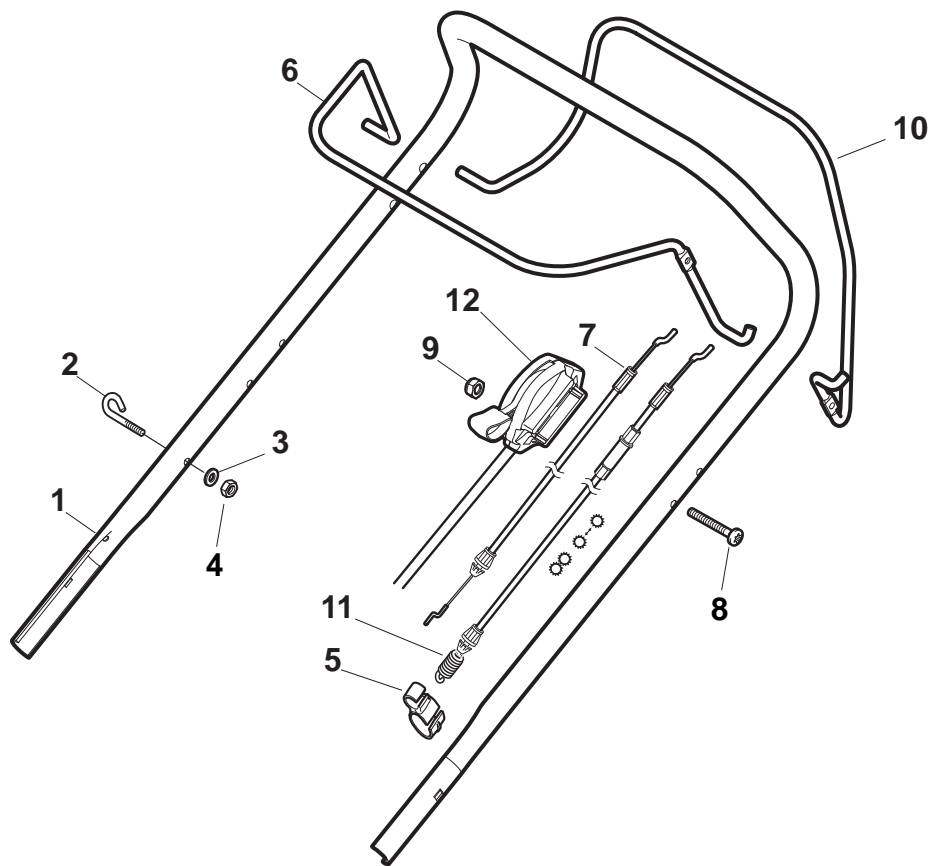
POS	PART. NO	Q.ty	DESCRIPTION	DESCRIZIONE	DESCRIPTION	BESCHREIBUNG	REMARKS
1	381302853/0	1	Axle, Front Wheels	Asse Ruote Anteriori	Axe Roues Avant	Achse, Vorderrad	
2	322545142/0	2	Plate	Piastrina	Plaquette	Plättchen	
3	112728698/0	4	Screw	Vite	Vis	Schraube	
4	112521350/0	2	Washer	Rosetta	Rondelle	Scheibe	
5	112155000/0	2	Nut	Dado	Ecrou	Mutter	
6	112436051/0	2	Plate	Piastrina	Plaquette	Plättchen	
7	322869677/0	1	Rod, Height Adjustment	Asta Comando Regol. Altezza	Tige Commande Reglage Hauteur	Stange, Höheverstellung	
8	122519823/0	2	Pin	Perno	Pivot	Bolzen	
9	122446193/0	1	Spring	Molla	Ressort	Feder	
11	112728698/0	4	Screw	Vite	Vis	Schraube	
12	322545152/0	2	Plate	Piastrina	Plaquette	Plättchen	
13	381302851/0	1	Axle, Rear Wheels	Asse Ruote Posteriore	Axe Roues Arriere	Achse, Hinterrad	
14	122534131/0	1	Pin	Perno	Pivot	Bolzen	
15	381003356/0	1	Lever, Height Adjustment	Leva Regolazione Altezza	Levier Reglage Hauteur	Hebel, Höheverstellung	
16	122446192/0	1	Spring	Molla	Ressort	Feder	
17	112154510/0	1	Nut	Dado	Ecrou	Mutter	
18	322600239/0	2	Stone-Guard	Parasassi	Pare-Pierres	Prallblech	
21	112521350/0	2	Washer	Rosetta	Rondelle	Scheibe	
22	112155000/0	2	Nut	Dado	Ecrou	Mutter	



Mask							
POS	PART. NO	Q.ty	DESCRIPTION	DESCRIZIONE	DESCRIPTION	BESCHREIBUNG	REMARKS
1	322226169/0	1	Mask, Black	Mascherina, Nero	Mesque, Noir	Maske, Schwarz	
2	112728698/0	2	Screw	Vite	Vis	Schraube	
3	112728698/0	2	Screw	Vite	Vis	Schraube	
4	322226171/0	1	Mask, Black	Mascherina, Nero	Mesque, Noir	Maske, Schwarz	
5	322500107/0	1	Front Combi	Pettine Anteriore	Vorne Comb	Peigne Avant	
6	112728698/0	2	Screw	Vite	Vis	Schraube	

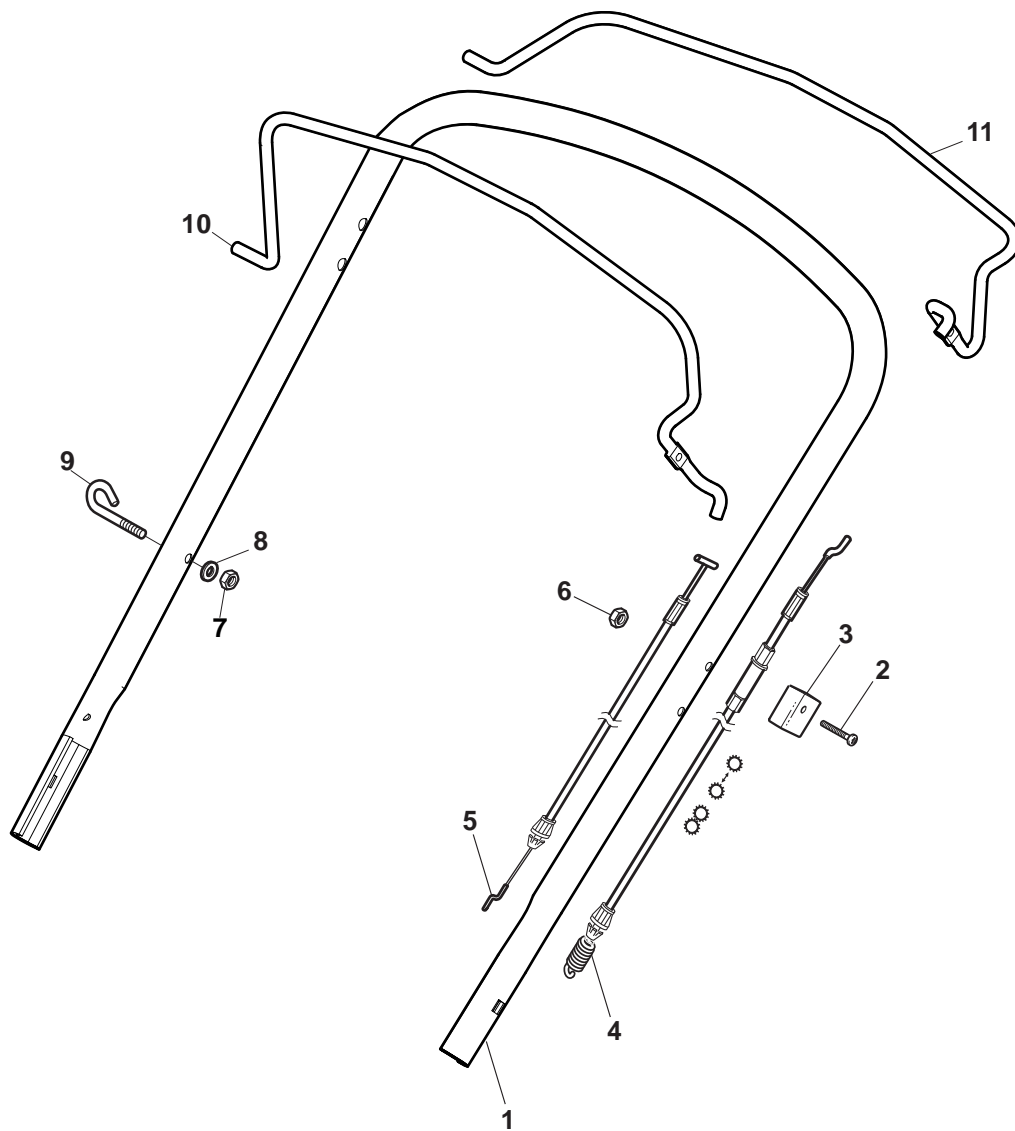


Handle, Lower Part							
POS	PART. NO	Q.ty	DESCRIPTION	DESCRIZIONE	DESCRIPTION	BESCHREIBUNG	REMARKS
1	381006785/0	1	Handle, Lower Part	Manico, Parte Inferiore	Mancheron, Partie Inferieure	Holm, Unterteil	Black
1	381007538/0	1	Handle, Lower Part	Manico, Parte Inferiore	Mancheron, Partie Inferieure	Holm, Unterteil	Yellow
2	112819110/0	2	Screw	Vite	Vis	Schraube	
3	122671651/0	2	Washer	Rosetta	Rondelle	Scheibe	
4	122399900/0	2	Knob, Black	Manopolina	Poignée, Noir	Griff	Black
4	322399840/0	2	Knob, Yellow	Manopolina	Poignée, Jaune	Griff	Yellow
4	322399846/0	2	Knob, Red	Manopolina	Poignée, Rouge	Griff	Red
5	112293200/0	2	Nut	Dado	Ecrou	Mutter	
7	112818900/0	2	Screw	Vite	Vis	Schraube	
9	122399900/0	2	Knob, Black	Manopolina	Poignée, Noir	Griff	Black
9	322399840/0	2	Knob, Yellow	Manopolina	Poignée, Jaune	Griff	Yellow
9	322399846/0	2	Knob, Red	Manopolina	Poignée, Rouge	Griff	Red
10	112293200/0	2	Nut	Dado	Ecrou	Mutter	
11	112155000/0	2	Nut	Dado	Ecrou	Mutter	
12	112521350/0	2	Washer	Rosetta	Rondelle	Scheibe	
13	112369500/0	2	Elastic Washer	Disco Elastico	Disque Elastique	Federscheibe	
14	112760605/0	2	Screw	Vite	Vis	Schraube	
15	381008691/0	1	Screws Outfit, Black	Dotazione Viteria	Dotation Visserie, Noir	Satz, Schrauben	Black
15	381008692/0	1	Screws Outfit, Yellow	Dotazione Viteria	Dotation Visserie, Jaune	Satz, Schrauben	Yellow
15	381008695/0	1	Screws Outfit, Red	Dotazione Viteria	Dotation Visserie, Rouge	Satz, Schrauben	Red

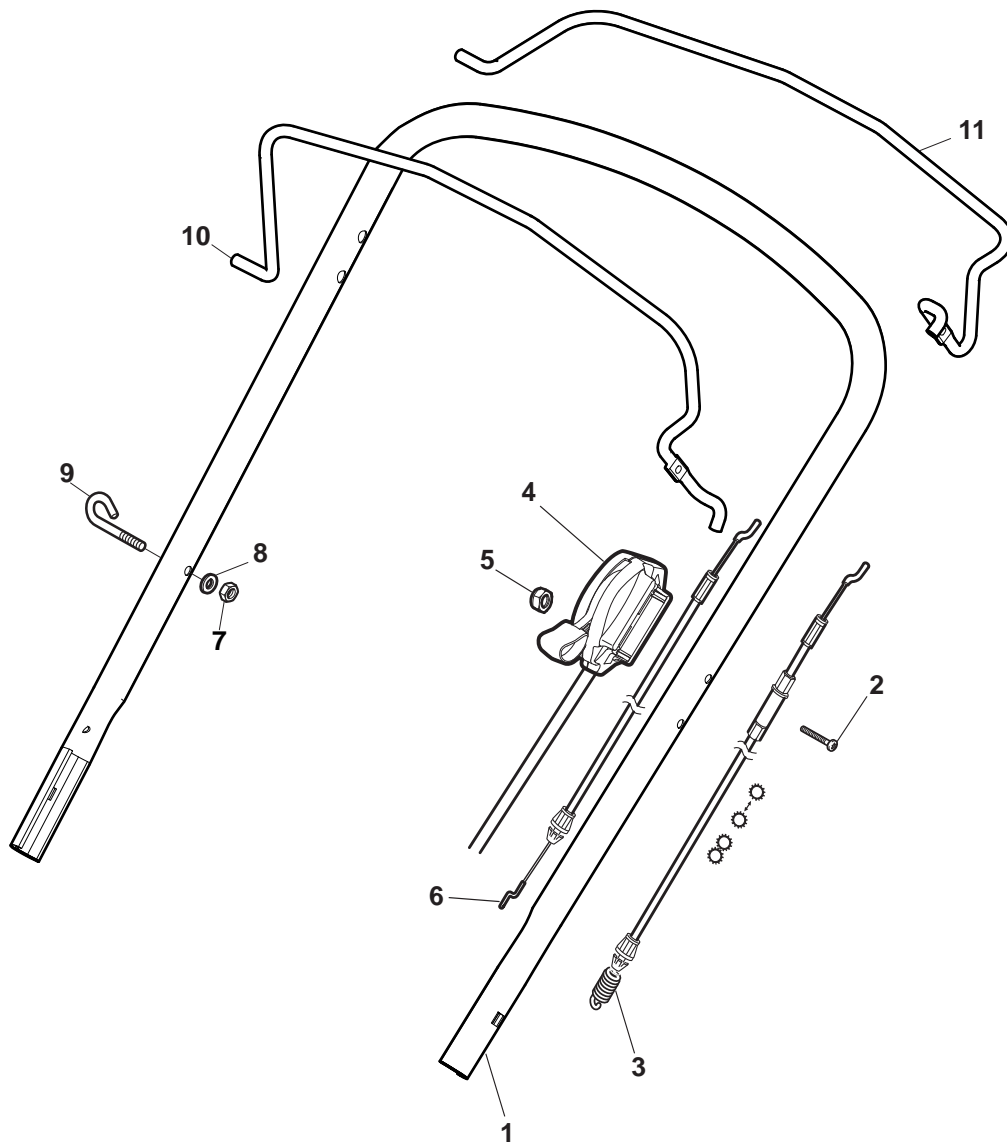


Deck And Height Adjusting

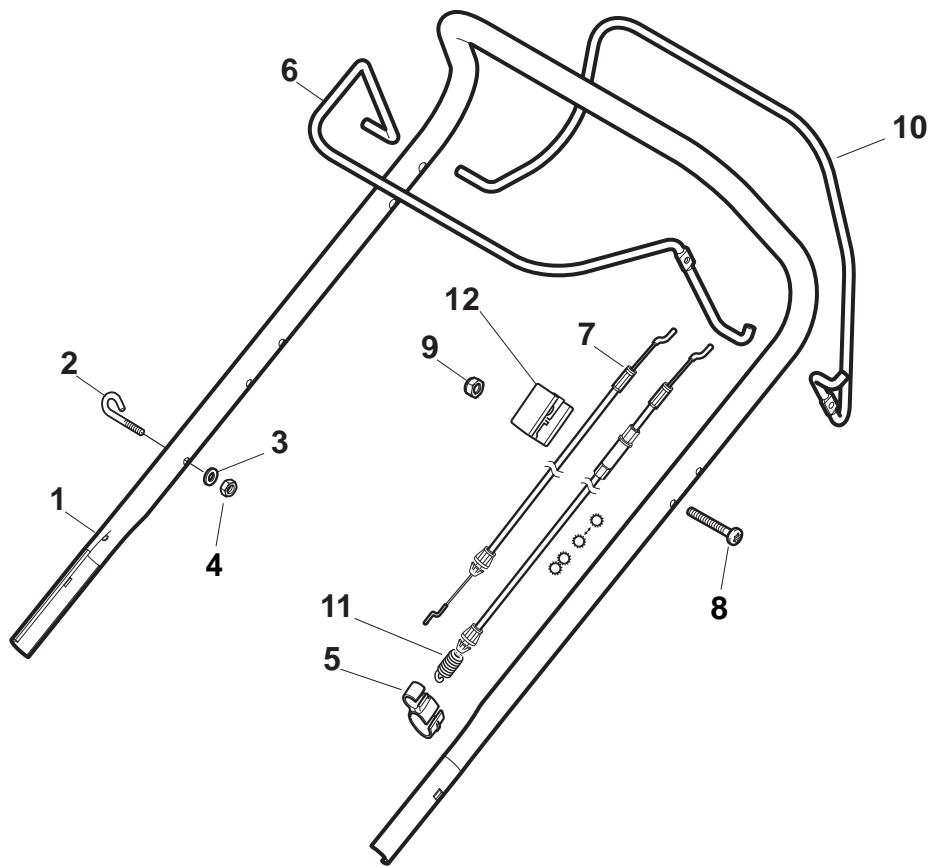
POS	PART. NO	Q.ty	DESCRIPTION	DESCRIZIONE	DESCRIPTION	BESCHREIBUNG	REMARKS
1	381006739/1	1	Handle, Upper Part	Manico, Parte Sup	Mancheron, Partie Superieure	Holm, Oberteil	
1	381006745/1	1	Handle, Upper Part with sponge handgrip	Manico, Parte Sup. con impugantura in spugna	Mancheron, Partie Superieure avec éponge poignée	Holm, Oberteil Handgriff Schwamm	
1	381006754/0	1	Handle, Upper Part with sponge handgrip Yellow	Manico, Parte Sup. con impugantura in spugna Giallo	Mancheron, Partie Superieure avec éponge poignée Jaune	Holm, Oberteil Handgriff Schwamm Gelb	
2	122430313/0	1	Guide Spring	Molla Guida	Ressort De Guide	Feder Führer	
3	112521330/0	1	Washer	Rosetta	Rondelle	Scheibe	
4	112154510/0	1	Nut	Dado	Ecrou	Mutter	
5	118390020/0	1	Fairlead	Fermacavo	Fixation Cable	Kabelbefestigung	
6	181003363/1	1	Lever, Engine Brake Black	Leva Freno Motore Nero	Levier Frein Moteur Noir	Hebel, Motorbremse Schwarz	Black
6	381003365/0	1	Lever, Engine Brake Yellow	Leva Freno Motore, Giallo	Levier Frein Moteur Jaune	Hebel, Motorbremse, Gelb	Yellow
6	381003376/0	1	Lever, Engine Brake Red	Leva Freno Motore, Rosso	Levier Frein Moteur Rouge	Hebel, Motorbremse, Rot	Red
7	181030054/0	1	Cable, Thread Engine Brake	Cavo Freno Motore	Cable Frein Moteur	Kabel, Motorbremse	for GGP V35-SV40
7	181030069/1	1	Cable, Thread Engine Bra	Cavo Freno Motore	Cable Frein Moteur	Kabel, Motorbremse	For HONDA Engine
7	181030087/0	1	Cable, Thread Engine Bra	Cavo Freno Motore	Cable Frein Moteur	Kabel, Motorbremse	For GGP-B&S Engine
7	181030088/0	1	Cable, Thread Engine Bra	Cavo Freno Motore	Cable Frein Moteur	Kabel, Motorbremse	For HONDA Engine
8	112727788/0	1	Screw	Vite	Vis	Schraube	
9	112154510/0	1	Nut	Dado	Ecrou	Mutter	
10	181003364/0	1	Lever, Driving	Leva Trazione	Levier Traction	Hebel, Antrieb	Black
10	381003366/0	1	Lever, Driving	Leva Trazione	Levier Traction	Hebel, Antrieb	Yellow
10	381003377/0	1	Lever, Driving	Leva Trazione	Levier Traction	Hebel, Antrieb	Red
11	381030051/0	1	Cable, Rear Drive	Cavo Comando Trazione	Câble, Comm. Traction	Kabel, Antrieb	
12	181005504/1	1	Throttle Cable	Cavo Acceleratore	Cable, Accelérateur	Gashebel Kabel	for GGP V35-SV40
12	181005512/0	1	Throttle Cable	Cavo Acceleratore	Cable, Accelérateur	Gashebel Kabel	for GGP 140-160-196-160S
12	181005512/0	1	Throttle Cable	Cavo Acceleratore	Cable, Accelérateur	Gashebel Kabel	GCV135-160
12	181005513/0	1	Throttle Cable	Cavo Acceleratore	Cable, Accelérateur	Gashebel Kabel	GCV190
12	181005516/0	1	Throttle Cable	Cavo Acceleratore	Cable, Accelérateur	Gashebel Kabel	for B&S 625-650-675-675ES Series
12	181005525/0	1	Throttle Cable	Cavo Acceleratore	Cable, Accelérateur	Gashebel Kabel	for B&S 500E-550E-575EX
12	181005526/0	1	Throttle Cable	Cavo Acceleratore	Cable, Accelérateur	Gashebel Kabel	for B&S 850 series
12	181005532/0	1	Throttle Cable	Cavo Acceleratore	Cable, Accelérateur	Gashebel Kabel	for GGP 100cc



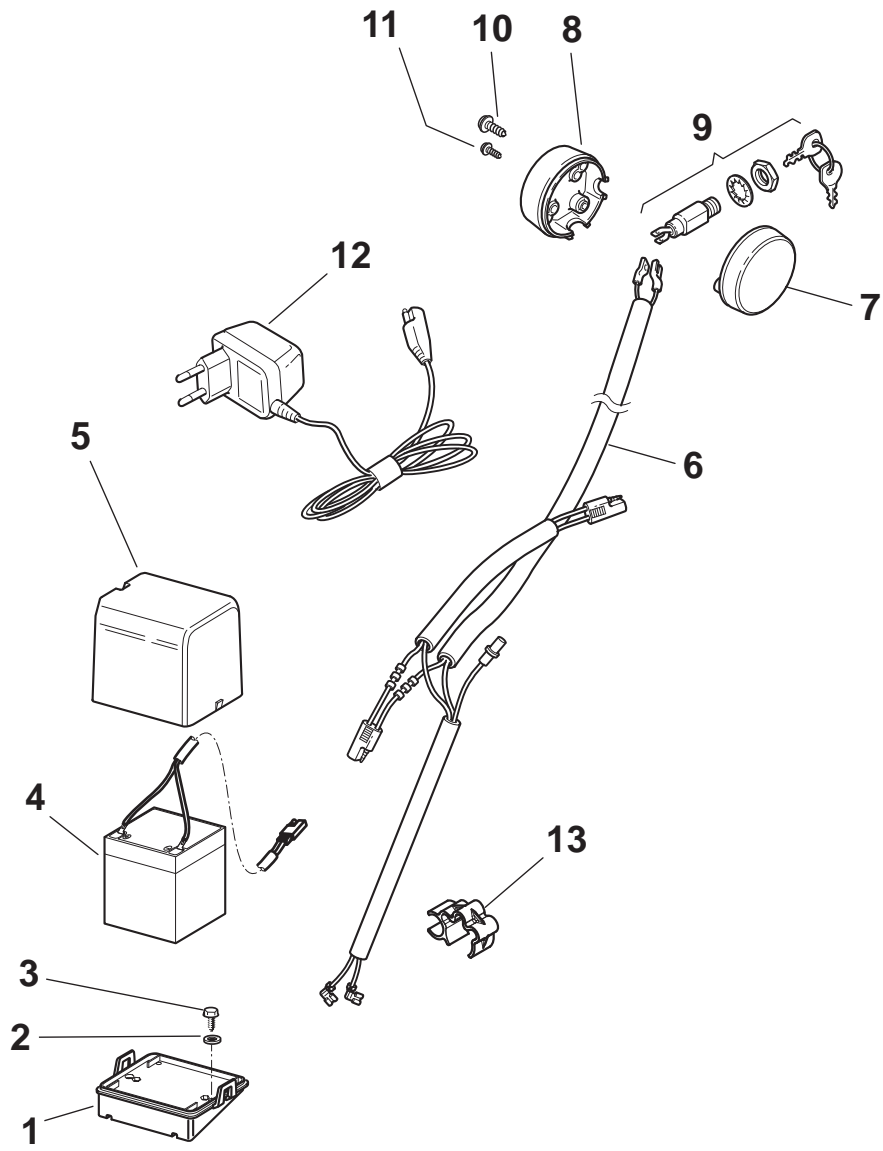
Handle, Upper Part							
POS	PART. NO	Q.ty	DESCRIPTION	DESCRIZIONE	DESCRIPTION	BESCHREIBUNG	REMARKS
1	381006740/0	1	Handle, Upper Part	Manico, Parte Sup	Mancheron, Partie Superieure	Holm, Oberteil	
2	112727783/0	1	Screw	Vite	Vis	Schraube	
3	322551640/0	1	Plate	Piastrina	Plaquette	Plättchen	
4	381030085/0	1	Cable, Rear Drive	Cavo Comando Trazione	Câble, Comm. Traction	Kabel, Antrieb	
5	181030053/0	1	Cable, Thread Engine Brake	Cavo Freno Motore	Cable Frein Moteur	Kabel, Motorbremse	for GGP V35-SV40
5	181030089/0	1	Cable, Thread Engine Brake	Cavo Freno Motore	Cable Frein Moteur	Kabel, Motorbremse	for GGP-HONDA-B&S Engine
6	112154510/0	1	Nut	Dado	Ecrou	Mutter	
7	112154510/0	1	Nut	Dado	Ecrou	Mutter	
8	112521330/0	1	Washer	Rosetta	Rondelle	Scheibe	
9	122430313/0	1	Guide Spring	Molla Guida	Ressort De Guide	Feder Führer	
10	181003369/0	1	Lever, Engine Brake	Leva Freno Motore	Levier Frein Moteur	Hebel, Motorbremse	
11	181003371/0	1	Driving Lever	Leva Trazione	Levier Traction	Antriebhebel	



Handle, Upper Part							
POS	PART. NO	Q.ty	DESCRIPTION	DESCRIZIONE	DESCRIPTION	BESCHREIBUNG	REMARKS
1	381006740/0	1	Handle, Upper Part	Manico, Parte Sup	Mancheron, Partie Superieure	Holm, Oberteil	
2	112727788/0	1	Screw	Vite	Vis	Schraube	
3	381030085/0	1	Cable, Rear Drive	Cavo Comando Trazione	Câble, Comm. Traction	Kabel, Antrieb	
4	181005521/0	1	Throttle Cable	Cavo Acceleratore	Cable, Accelérateur	Gashebel Kabel	for GGP V35-SV40
4	181005524/0	1	Throttle Cable	Cavo Acceleratore	Cable, Accelérateur	Gashebel Kabel	for Honda GCV135
4	181005527/0	1	Throttle Cable	Cavo Acceleratore	Cable, Accelérateur	Gashebel Kabel	for Honda GCV160 / GGP140-160-160ES-196
4	181005528/0	1	Throttle Cable	Cavo Acceleratore	Cable, Accelérateur	Gashebel Kabel	for B&S625-675-675ES series
4	181005529/0	1	Throttle Cable	Cavo Acceleratore	Cable, Accelérateur	Gashebel Kabel	for B&S 850 series
4	181005530/0	1	Throttle Cable	Cavo Acceleratore	Cable, Accelérateur	Gashebel Kabel	for B&S 500-550-575 series
4	181005531/0	1	Throttle Cable	Cavo Acceleratore	Cable, Accelérateur	Gashebel Kabel	for Honda GCV 190
4	181005534/0	1	Throttle Cable	Cavo Acceleratore	Cable, Accelérateur	Gashebel Kabel	for GGP RSC100
5	112154510/0	1	Nut	Dado	Ecrou	Mutter	
6	181030053/0	1	Cable, Thread Engine Brake	Cavo Freno Motore	Cable Frein Moteur	Kabel, Motorbremse	for GGP V35-SV40
6	181030089/0	1	Cable, Thread Engine Brake	Cavo Freno Motore	Cable Frein Moteur	Kabel, Motorbremse	for B&S-GGP-HONDA Engine
7	112154510/0	1	Nut	Dado	Ecrou	Mutter	
8	112521330/0	1	Washer	Rosetta	Rondelle	Scheibe	
9	122430313/0	1	Guide Spring	Molla Guida	Ressort De Guide	Feder Führer	
10	181003369/0	1	Lever, Engine Brake	Leva Freno Motore	Levier Frein Moteur	Hebel, Motorbremse	
11	181003371/0	1	Driving Lever	Leva Trazione	Levier Traction	Antriebhebel	

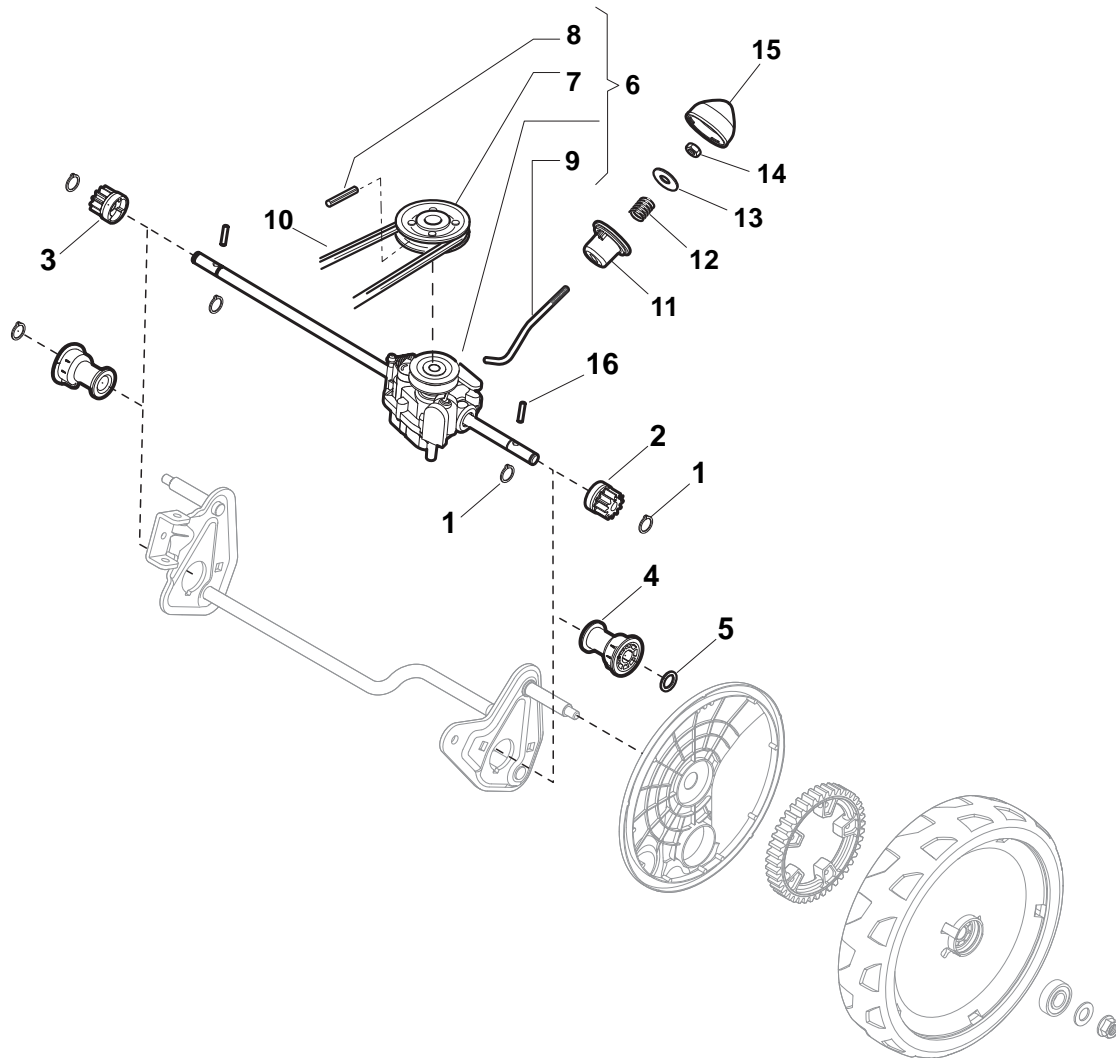


Handle, Upper Part							
POS	PART. NO	Q.ty	DESCRIPTION	DESCRIZIONE	DESCRIPTION	BESCHREIBUNG	REMARKS
1	381006739/1	1	Handle, Upper Part	Manico, Parte Sup	Mancheron, Partie Superieure	Holm, Oberteil	
1	381006745/1	1	Handle, Upper Part with sponge handgrip	Manico, Parte Sup. con impugantura in spugna	Mancheron, Partie Superieure avec éponge poignée	Holm, Oberteil Handgriff Schwamm	
1	381006754/0	1	Handle, Upper Part with sponge handgrip Yellow	Manico, Parte Sup. con impugantura in spugna Giallo	Mancheron, Partie Superieure avec éponge poignée Jaune	Holm, Oberteil Handgriff Schwamm Gelb	
2	122430313/0	1	Guide Spring	Molla Guida	Ressort De Guide	Feder Führer	
3	112521330/0	1	Washer	Rosetta	Rondelle	Scheibe	
4	112154510/0	1	Nut	Dado	Ecrou	Mutter	
5	118390020/0	1	Fairlead	Fermacavo	Fixation Cable	Kabelbefestigung	
6	181003363/1	1	Lever, Engine Brake Black	Leva Freno Motore Nero	Levier Frein Moteur Noir	Hebel, Motorbremse Schwarz	Black
6	381003365/0	1	Lever, Engine Brake Yellow	Leva Freno Motore, Giallo	Levier Frein Moteur Jaune	Hebel, Motorbremse, Gelb	Yellow
6	381003376/0	1	Lever, Engine Brake Red	Leva Freno Motore, Rosso	Levier Frein Moteur Rouge	Hebel, Motorbremse, Rot	Red
7	181030054/0	1	Cable, Thread Engine Brake	Cavo Freno Motore	Cable Frein Moteur	Kabel, Motorbremse	for GGP V35-SV40
7	181030069/1	1	Cable, Thread Engine Brake	Cavo Freno Motore	Cable Frein Moteur	Kabel, Motorbremse	For HONDA Engine
7	181030087/0	1	Cable, Thread Engine Brake	Cavo Freno Motore	Cable Frein Moteur	Kabel, Motorbremse	for B&S-GGP Engine
7	181030088/0	1	Cable, Thread Engine Brake	Cavo Freno Motore	Cable Frein Moteur	Kabel, Motorbremse	For HONDA Engine
8	112727783/0	1	Screw	Vite	Vis	Schraube	
9	112154510/0	1	Nut	Dado	Ecrou	Mutter	
10	181003364/0	1	Lever, Driving	Leva Trazione	Levier Traction	Hebel, Antrieb	Black
10	381003366/0	1	Lever, Driving	Leva Trazione	Levier Traction	Hebel, Antrieb	Yellow
10	381003377/0	1	Lever, Driving	Leva Trazione	Levier Traction	Hebel, Antrieb	Red
11	381030051/0	1	Cable, Rear Drive	Cavo Comando Trazione	Câble, Comm. Traction	Kabel, Antrieb	
12	322551640/0	1	Plate	Piastrina	Plaquette	Plättchen	



Electric Start

POS	PART. NO	Q.ty	DESCRIPTION	DESCRIZIONE	DESCRIPTION	BESCHREIBUNG	REMARKS
1	322785123/0	1	Support, Battery	Supporto Batteria	Support Batterie	Halter, Batterie	
2	112521310/0	2	Washer	Rosetta	Rondelle	Scheibe	
3	112731590/0	2	Screw	Vite	Vis	Schraube	
4	118120052/0	1	Battery	Batteria	Batterie	Batterie	
5	322109530/0	1	Cover	Capottina	Capot	Haube	
6	118204192/3	1	Cable, Start	Cavo Avviamento	Cable Démarrage	Kabel, Start	
7	322722800/0	1	R Protection	Protezione Dx	Protection D	Rechte Schutz	
8	322722801/0	1	L Protection	Protezione Sx	Protection G	Linke Schutz	
9	118450051/0	1	Switch	Interruttore	Interrupteur	Schalter	
10	112728691/0	1	Screw	Vite	Vis	Schraube	
11	112728702/0	2	Screw	Vite	Vis	Schraube	
12	118204120/0	1	Battery Charger	Carica Batteria	Chargeur De Batterie	Ladgerät	CE plug
12	118204121/0	1	Battery Charger	Carica Batteria	Chargeur De Batterie	Ladgerät	UK plug
13	118390021/0	1	Fairlead	Fermacavo	Fixation Cable	Kabelbefestigung	



Rear Drive

POS	PART. NO	Q.ty	DESCRIPTION	DESCRIZIONE	DESCRIPTION	BESCHREIBUNG	REMARKS
1	112608600/0	4	Seeger	Seeger	Seeger	Seeger	
2	122570134/0	1	Pinion L	Pignone Sx	Pignon G	Ritzel Linkes	
3	122570133/0	1	Pinion R	Pignone Dx	Pignon D	Ritzel Rechtes	
4	322042066/0	2	Bush	Bussola	Douille	Büchse	
5	112521371/0	2	Washer	Rosetta	Rondelle	Scheibe	
6	181003092/0	1	Gear Box	Gruppo Trazione	Groupe Traction	Antrieb	
7	122601904/0	1	Pulley	Puleggia	Poulie	Riemenscheibe	
8	112645705/0	1	Pin	Perno	Pivot	Bolzen	
9	122033283/0	1	Adjustment Rod	Asta Regolazione	Tige Reglage	Verstellungstange	
10	135064196/0	1	Belt	Cinghia	Courroire	Riemen	
11	122041957/1	1	Bush	Bussola	Douille	Büchse	
12	122450063/0	1	Spring	Molla	Ressort	Feder	
13	322680009/0	1	Washer	Rosetta	Rondelle	Scheibe	
14	112154510/0	1	Nut	Dado	Ecrou	Mutter	
15	122110230/0	1	Cap	Puntale	Bouchon	Gummistopfen	
16	122753000/0	2	Pin	Perno	Pivot	Bolzen	

Bushing - Ø 200

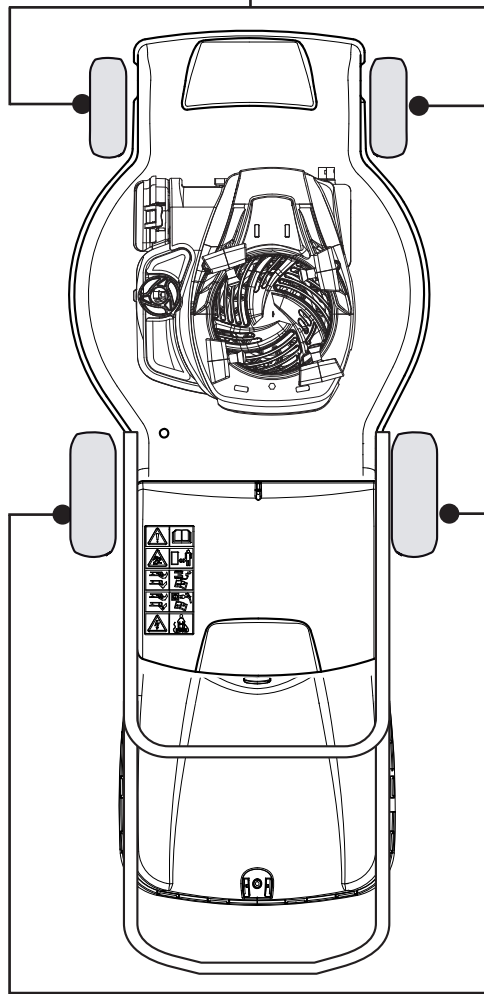
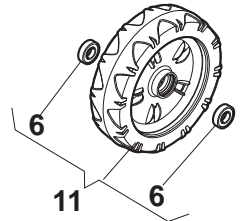
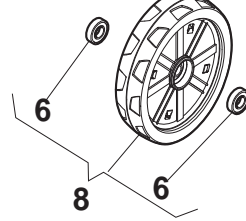
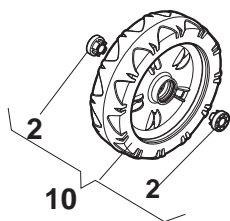
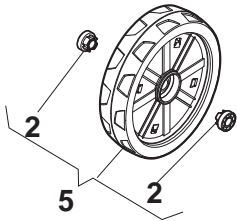
Ball Bearing - Ø 200

DELTA Wheel

NTD Wheel

DELTA Wheel

NTD Wheel

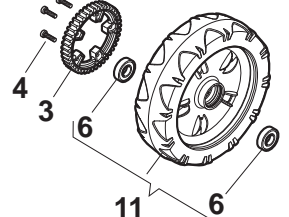
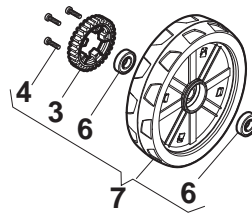
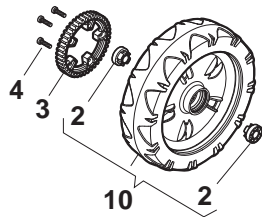
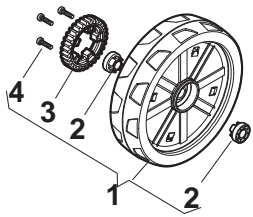


DELTA Wheel

NTD Wheel

DELTA Wheel

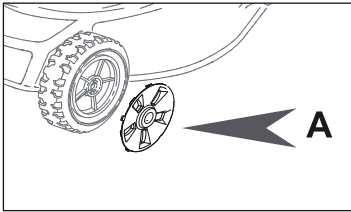
NTD Wheel



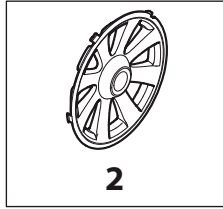
Bushing - Ø200

Ball Bearing - Ø200

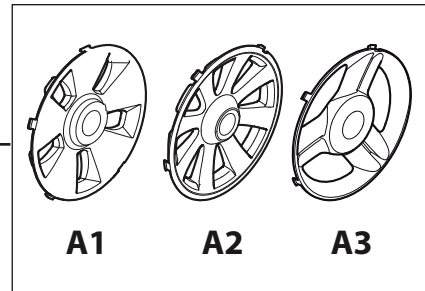
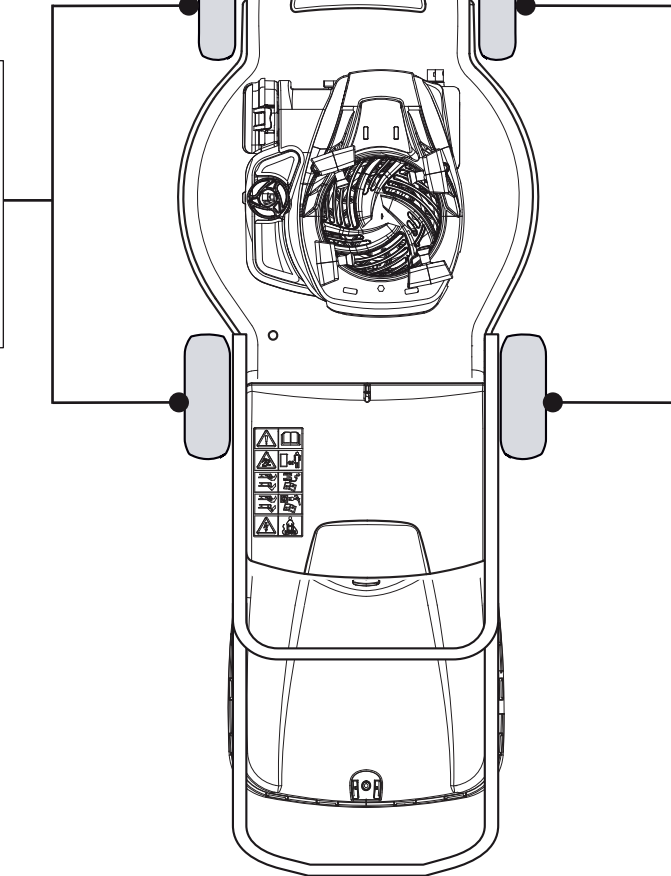
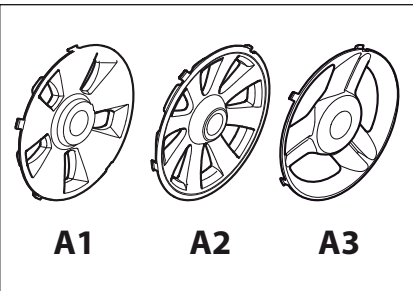
Wheels							
POS	PART. NO	Q.ty	DESCRIPTION	DESCRIZIONE	DESCRIPTION	BESCHREIBUNG	REMARKS
1	381007482/1	2	Wheel Ø 200	Ruota Ø 200	Roue Ø 200	Rad Ø 200	
2	322042064/0	8	Bush	Bussola	Douille	Büchse	
3	322120115/0	2	Ring Gear	Corona	Couronne	Kranz	
4	112728706/0	6	Screw	Vite	Vis	Schraube	
5	381007481/1	2	Wheel Ø 200	Ruota Ø 200	Roue Ø 200	Rad Ø 200	
6	119216035/0	8	Bearing	Cuscinetto	Coussinet	Lager	
7	381007484/1	2	Wheel Ø 200	Ruota Ø 200	Roue Ø 200	Rad Ø 200	
8	381007483/1	2	Wheel Ø 200	Ruota Ø 200	Roue Ø 200	Rad Ø 200	
10	381007435/1	4	Wheel Ø 200	Ruota Ø 200	Roue Ø 200	Rad Ø 200	
11	381007416/2	4	Wheel Ø 200	Ruota Ø 200	Roue Ø 200	Rad Ø 200	



+

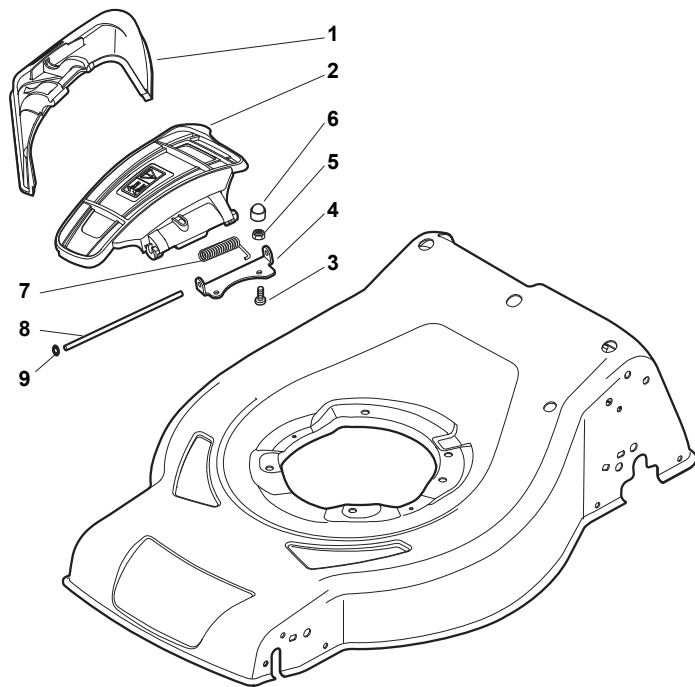


= A2



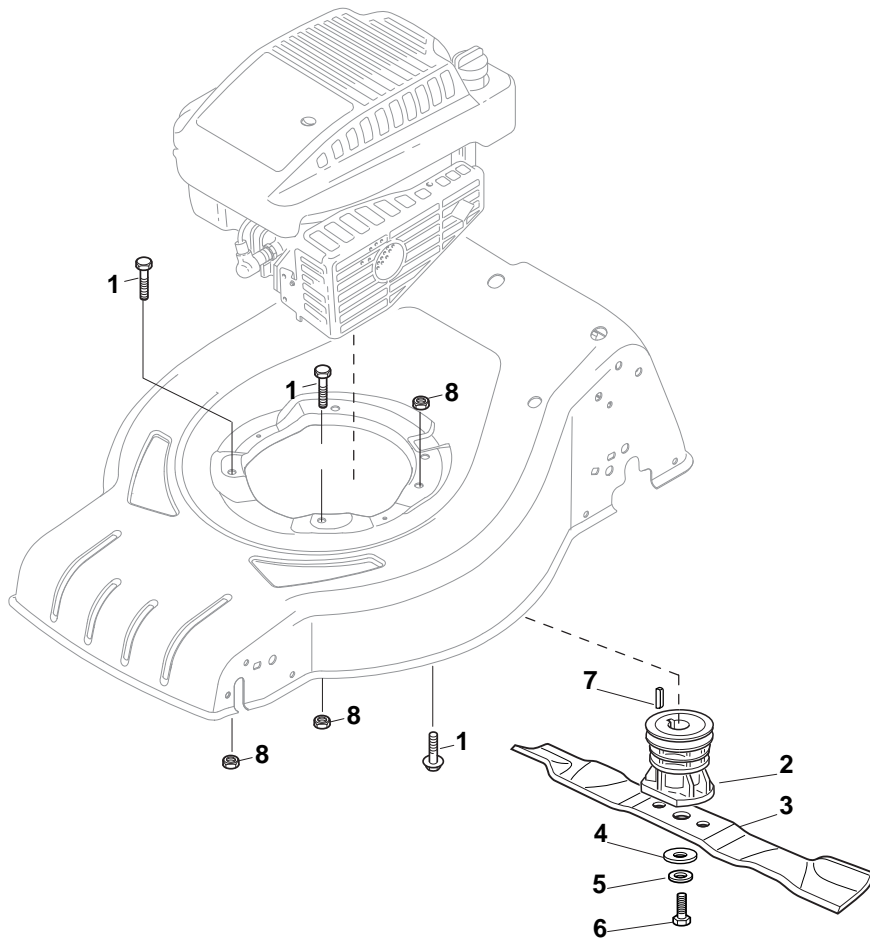
Hub Cap

POS	PART. NO	Q.ty	DESCRIPTION	DESCRIZIONE	DESCRIPTION	BESCHREIBUNG	REMARKS
A1	322110643/0	4	Hub Cap	Coprimezzo	Couvre-Moyeu	Radkappe	
A2	322110645/0	4	Hub Cap Grey	Coprimezzo Grigio	Couvre-Moyeu Gris	Radkappe Grau	
A3	322110687/0	4	Hub Cap Grey	Coprimezzo Grigio	Couvre-Moyeu Gris	Radkappe Grau	



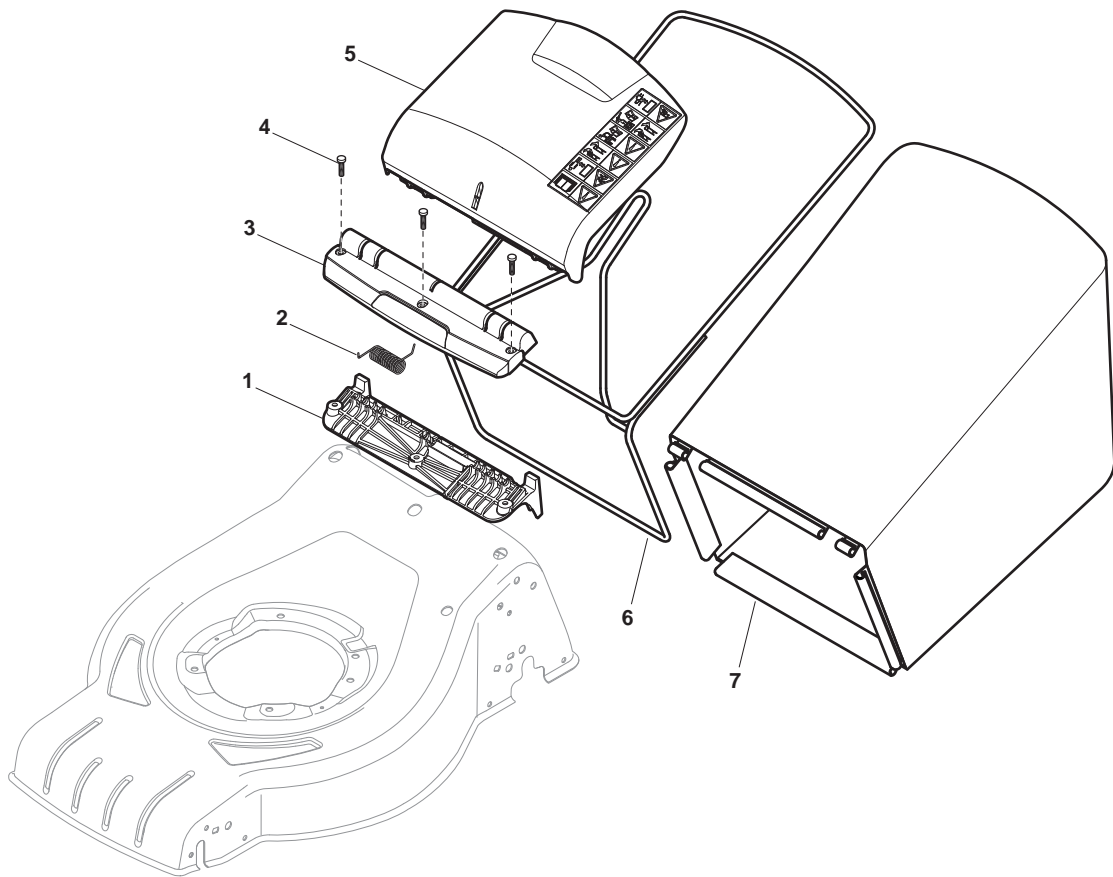
Ejection Guard

POS	PART. NO	Q.ty	DESCRIPTION	DESCRIZIONE	DESCRIPTION	BESCHREIBUNG	REMARKS
1	322108309/0	1	Rear Conveyor Assy	Convogl. Posteriore	Convoyeur Post.	Hinterleitblechsatz	Black
2	322600238/0	1	Ejection Guard	Protezione Uscita	Protection Sortie	Auswurfschutz	
3	112727803/0	2	Screw	Vite	Vis	Schraube	
4	322806639/0	1	Fulcrum Pin	Perno Fulcro	Pivot	Gelenkpunkt	
5	112154510/0	2	Nut	Dado	Ecrou	Mutter	
6	118203853/0	2	Protection	Cappuccio	Capuchon	Stecker	
7	122450456/0	1	Spring	Molla	Ressort	Feder	
8	122517869/0	1	Pin	Perno	Pivot	Bolzen	
9	112604896/0	2	Crown Fastener	Fissatore A Corona	Fixateur A Couronne	Kronescheibe	



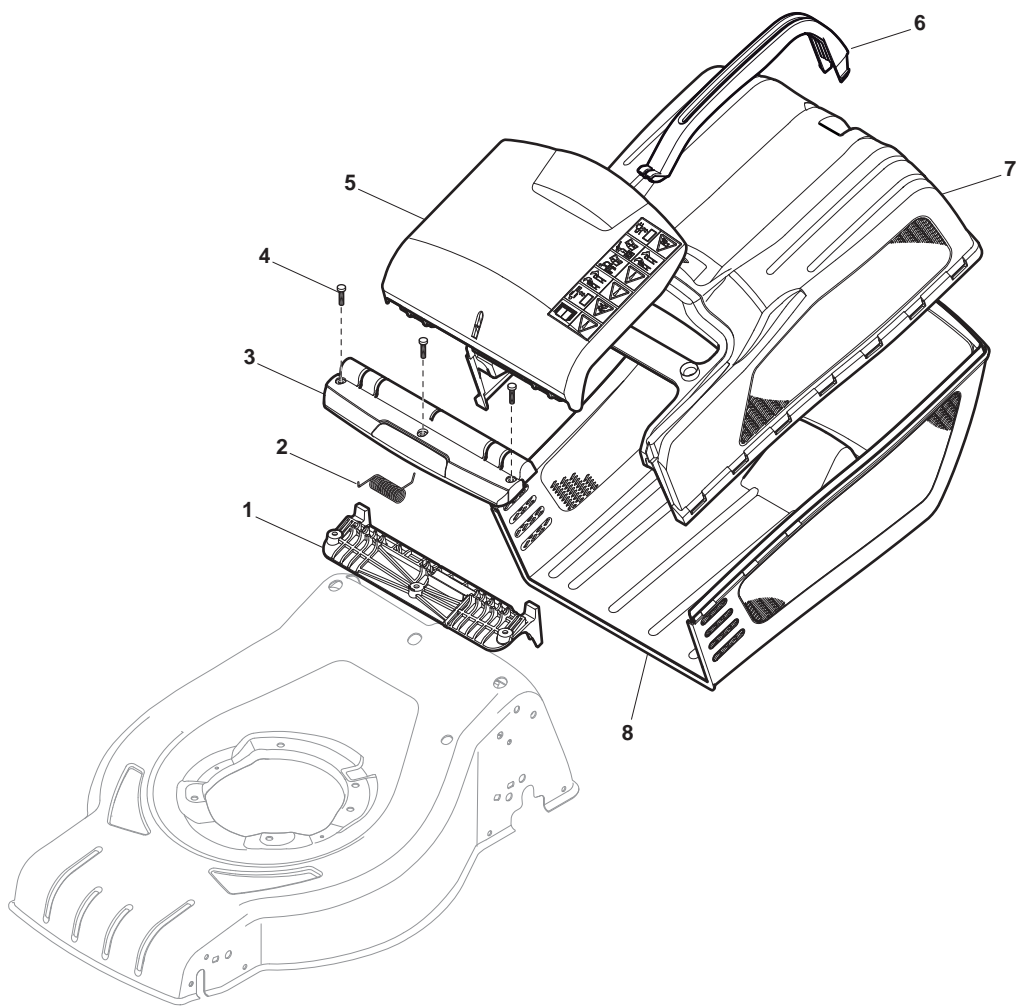
Blade and Hub

POS	PART. NO	Q.ty	DESCRIPTION	DESCRIZIONE	DESCRIPTION	BESCHREIBUNG	REMARKS
1	112691100/0	3	Screw	Vite	Vis	Schraube	for B&S E series
1	112691115/0	3	Screw	Vite	Vis	Schraube	for HONDA-GGP Engine
1	112691100/0	2	Screw	Vite	Vis	Schraube	for B&S Engine
1	112691800/0	1	Screw	Vite	Vis	Schraube	for B&S Engine
2	122465607/3	1	Hub With Pulley, Crankshaft Ø 22.2	Mozzo Con Puleggia, Albero Motore Ø 22.2	Moyeu Avec Poulie, Arbre Moteur Ø 22.2	Nabe Mit Scheibe, Motorwelle Ø 22.2	for B&S-GGP Engine
2	122465608/2	1	Hub With Pulley, Crankshaft Ø 25	Mozzo Con Puleggia, Albero Motore Ø 25	Moyeu Avec Poulie, Arbre Moteur Ø 25	Nabe Mit Scheibe, Motorwelle Ø 25	for HONDA Engine
3	181004459/0	1	Blade Standard	Coltello Standard	Lame Standard	Messer Standard	
4	122160400/0	1	Elastic Washer	Disco Elastico	Disque Elastique	Federscheibe	
5	112523080/0	1	Washer	Rosetta	Rondelle	Scheibe	
6	112735698/0	1	Screw	Vite	Vis	Schraube	
7	112139100/0	1	Feather, Crankshaft Ø 22.2	Linguetta, Albero Motore Ø 22.2	Clavette, Arbre Moteur Ø 22.2	Keil, Motorwelle Ø 22.2	for B&S-GGP Engine
7	112139150/0	1	Feather, Crankshaft Ø 25	Linguetta, Albero Motore Ø 25	Clavette, Arbre Moteur Ø 25	Keil, Motorwelle Ø 25	for HONDA Engine
8	112154210/0	3	Screw	Vite	Vis	Schraube	



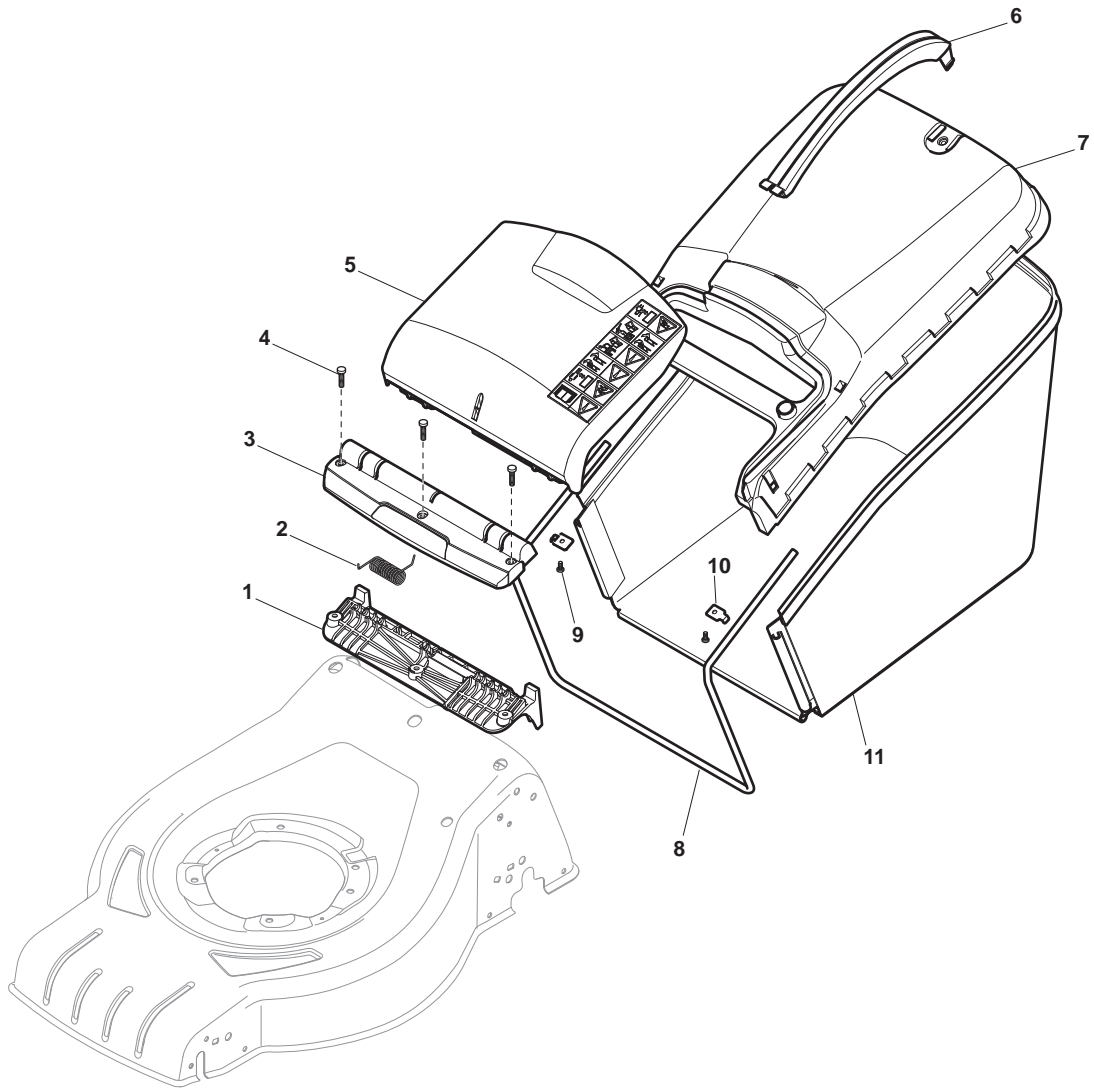
Grass-Catcher

POS	PART. NO	Q.ty	DESCRIPTION	DESCRIZIONE	DESCRIPTION	BESCHREIBUNG	REMARKS
1	322785331/0	1	Support	Supporto	Support	Halter	
2	122450464/0	1	Spring	Molla	Ressort	Feder	
3	322109554/0	1	Cover, Black	Copertura Nero	Couvre, Noir	Kappe, Schwarz	Black
3	322109556/0	1	Cover, Yellow	Capottina Gialla	Capot Jaune	Haube Gelb	Yellow
3	322109557/0	1	Cover, Grey	Capottina Grigio	Capot Gris	Haube Grau	Grey
4	112728699/0	3	Screw	Vite	Vis	Schraube	
5	322600206/1	1	Stone-Guard Black	Parasassi Nero	Pare-Pierres, Noir	Prallblech, Schwarz	Black
5	322600214/1	1	Stone-Guard Yellow	Parasassi Giallo	Pare-Pierres, Jaune	Prallblech, Gelb	Yellow
5	322600216/1	1	Stone-Guard Grey	Parasassi Grigio	Pare-Pierres, Gris	Prallblech, Grau	Grey
6	181006409/0	1	Chassis Box	Telaio Sacco	Châssis Bac	Rahmen Sack	
7	181002319/0	1	Box, Fabric	Sacco, Tela	Sac, Toile	Sack, Tuck	



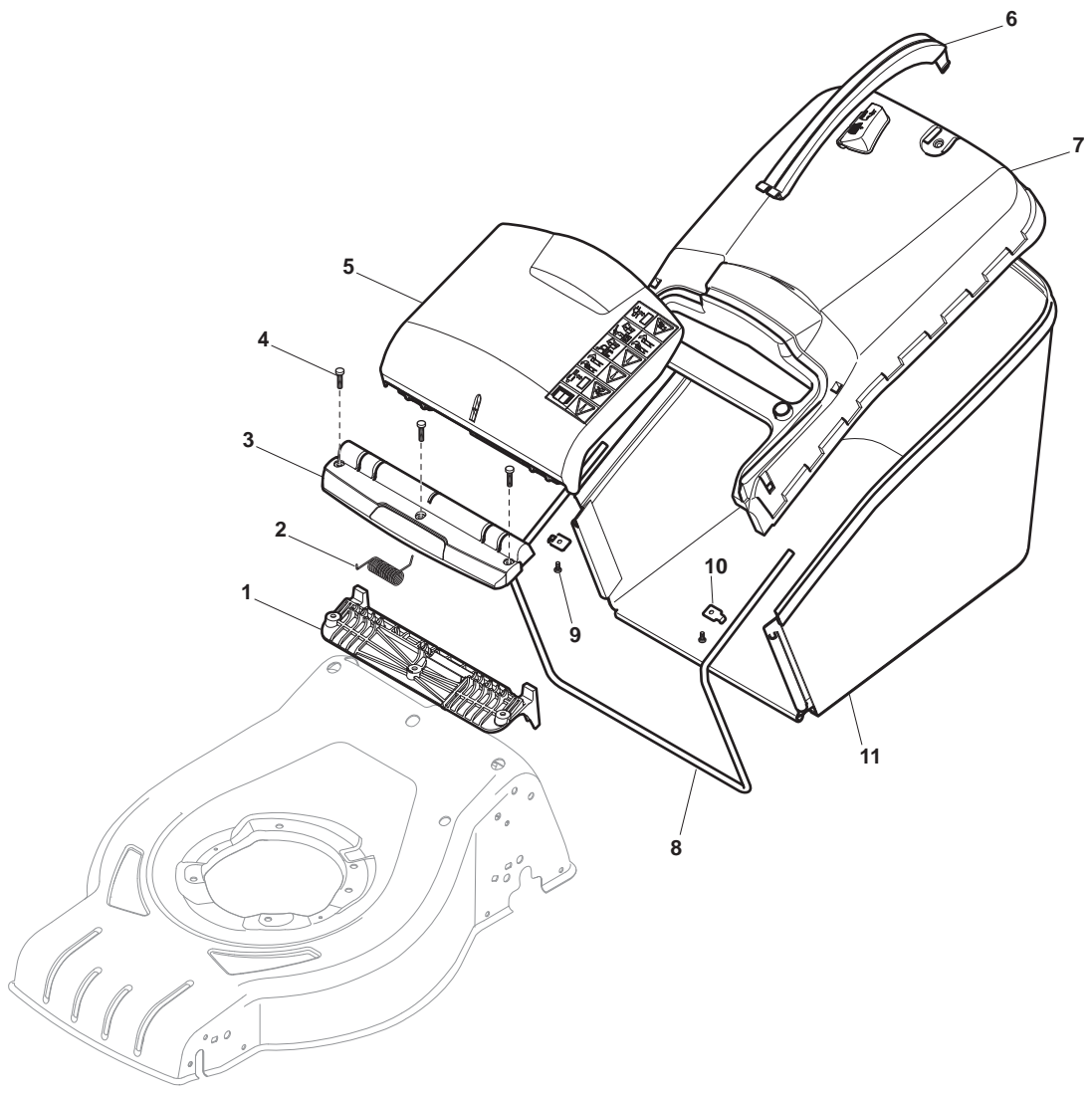
Grass-Catcher

POS	PART. NO	Q.ty	DESCRIPTION	DESCRIZIONE	DESCRIPTION	BESCHREIBUNG	REMARKS
1	322785331/0	1	Support	Supporto	Support	Halter	
2	122450464/0	1	Spring	Molla	Ressort	Feder	
3	322109554/0	1	Cover, Black	Copertura, Nero	Couvre, Noir	Kappe, Schwarz	Black
3	322109556/0	1	Cover, Yellow	Capottina Gialla	Capot Jaune	Haube Gelb	Yellow
3	322109557/0	1	Cover, Grey	Capottina Grigio	Capot Jaune	Haube Gelb	Grey
4	112728699/0	3	Screw	Vite	Vis	Schraube	
5	322600206/1	1	Stone-Guard Black	Parasassi Nero	Pare-Pierres, Noir	Prallblech, Schwarz	Black
5	322600214/1	1	Stone-Guard Yellow	Parasassi Giallo	Pare-Pierres, Jaune	Prallblech, Gelb	Yellow
5	322600216/1	1	Stone-Guard Grey	Parasassi Grigio	Pare-Pierres, Gris	Prallblech, Grau	Grey
6	322393643/0	1	Handle, Black	Maniglia Nera	Poignée Noir	Griff Schwarz	Black
6	322393645/0	1	Handle, Grey	Maniglia Grigio	Poignée Gris	Griff, Grau	Grey
6	322393716/0	1	Handle, Grey	Maniglia Grigio	Poignée Gris	Griff, Grau	Grey NCSS-N
7	322486263/0	1	Grassbox Upper Part	Parte Superiore Sacco	Sac, Partie Superieure	Korb Oberteil	Grey
7	322486260/0	1	Grassbox Upper Part	Parte Superiore Sacco	Sac, Partie Superieure	Korb Oberteil	Black
7	322486387/0	1	Grassbox Upper Part	Parte Superiore Sacco	Sac, Partie Superieure	Korb Oberteil	Grey NCSS-N
8	322486267/0	1	Grassbox Lower Part	Parte Inferiore Sacco	Sac, Partie Inferieure	Korb Unterteil	Grey
8	322486261/0	1	Grassbox Lower Part	Parte Inferiore Sacco	Sac, Partie Inferieure	Korb Unterteil	Black
8	322486388/0	1	Grassbox Lower Part	Parte Inferiore Sacco	Sac, Partie Inferieure	Korb Unterteil	Grey NCSS-N



Grass-Catcher

POS	PART. NO	Q.ty	DESCRIPTION	DESCRIZIONE	DESCRIPTION	BESCHREIBUNG	REMARKS
1	322785331/0	1	Support	Supporto	Support	Halter	
2	122450464/0	1	Spring	Molla	Ressort	Feder	
3	322109554/0	1	Cover, Black	Copertura, Nero	Couvre, Noir	Kappe, Schwarz	Black
3	322109556/0	1	Cover, Yellow	Capottina Gialla	Capot Jaune	Haube Gelb	Yellow
3	322109557/0	1	Cover, Grey	Capottina Grigio	Capot Gris	Haube Gelb	Grey
4	112728699/0	3	Screw	Vite	Vis	Schraube	
5	322600206/1	1	Stone-Guard Black	Parasassi Nero	Pare-Pierres, Noir	Prallblech, Schwarz	Black
5	322600214/1	1	Stone-Guard Yellow	Parasassi Giallo	Pare-Pierres, Jaune	Prallblech, Gelb	Yellow
5	322600216/1	1	Stone-Guard Grey	Parasassi Grigio	Pare-Pierres, Gris	Prallblech, Grau	Grey
6	322393646/0	1	Handle, Yellow	Maniglia, Gialla	Poignee, Jaune	Griff, Gelb	Yellow
6	322393649/0	1	Handle, Grey	Maniglia Grigio	Poignée Gris	Griff, Grau	Grey
6	322393644/0	1	Handle, Black	Maniglia Nera	Poignée Noir	Griff Schwarz	Black
7	322486264/0	1	Grassbox Upper Part Yellow	Parte Sup.Sacco Giallo	Sac, Partie Superieure Jaune	Korb Oberteil, Gelb	Yellow
7	322486270/0	1	Grassbox Upper Part, Grey	Parte Sup.Sacco, Grigio	Sac, Partie Superieure, Gris	Korb Oberteil, Grau	Grey
7	322486262/0	1	Grassbox Upper Part, Black	Parte Sup.Sacco Nero	Sac, Partie Superieure Noir	Korb Oberteil, Schwarz	Black
8	122608561/0	1	Stiffening Lower	Rinforzo Inf	Réinforcement Inf	Verstärkung Untere	
9	112728692/0	2	Screw	Vite	Vis	Schraube	
10	322545159/0	2	Plate	Piastrina	Plaquette	Plättchen	
11	181002318/0	1	Box, Fabric	Sacco, Tela	Sac, Toile	Sack, Tuck	



Grass-Catcher

POS	PART. NO	Q.ty	DESCRIPTION	DESCRIZIONE	DESCRIPTION	BESCHREIBUNG	REMARKS
1	322785331/0	1	Support	Supporto	Support	Halter	
2	122450464/0	1	Spring	Molla	Ressort	Feder	
3	322109554/0	1	Cover, Black	Copertura, Nero	Couvre, Noir	Kappe, Schwarz	Black
3	322109556/0	1	Cover, Yellow	Capottina Gialla	Capot Jaune	Haube Gelb	Yellow
4	112728699/0	3	Screw	Vite	Vis	Schraube	
5	322600206/1	1	Stone-Guard Black	Parasassi Nero	Pare-Pierres	Prallblech	Black
5	322600214/1	1	Stone-Guard Yellow	Parasassi Giallo	Pare-Pierres, Jaune	Prallblech, Gelb	Yellow
6	322393644/0	1	Handle, Black	Maniglia, Nero	Poignee, Noir	Griff, Schwarz	Black
6	322393715/0	1	Handle, Grey	Maniglia Grigio	Poignée Gris	Griff, Grau	Grey NCSS-N
7	381486016/0A	1	Grass-Box, Upper Part Yellow	Sacco, Parte Superiore Giallo	Sac, Partie Superieure Jaune	Korb, Oberteil Gelb	Yellow
7	381486018/0	1	Grass-Box, Upper Part Black	Sacco, Parte Sup. Nero	Sac, Partie Sup. Noir	Korb, Oberteil, Schwarz	Black
8	122608561/0	1	Stiffening Lower	Rinforzo Inf	Réinforcement Inf	Verstärkung Untere	
9	112728692/0	2	Screw	Vite	Vis	Schraube	
10	322545159/0	2	Plate	Piastrina	Plaquette	Plättchen	
11	181002318/0	1	Box, Fabric	Sacco, Tela	Sac, Toile	Sack, Tuck	