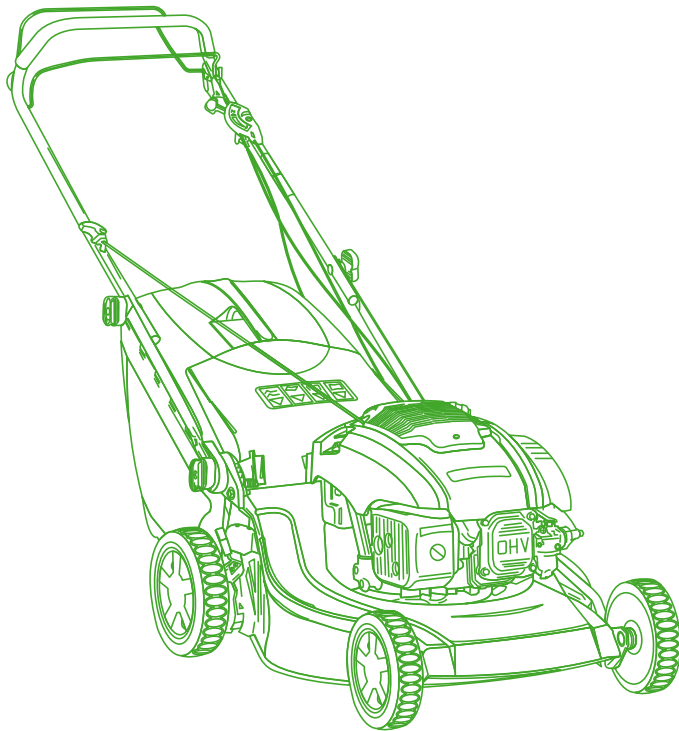


ILLUSTRATED PARTS LIST

ESL 534



- Use GLOBAL GARDEN PRODUCT Genuine Spare Parts specified in the parts list for repair and/or replacement.
- The contents described in the parts list may change due to improvement.
- The drawings of the spare parts are only indicative and might not represent the part in question exactly.
- The indications "right" - "left" - "front" - "rear" refer to the position of the operator when using the machine.
- When placing orders of parts for repair and/or replacement, make sure that the illustrated parts list is the one applying to the machine's year of manufacture, as shown on the identification plate attached to the machine.

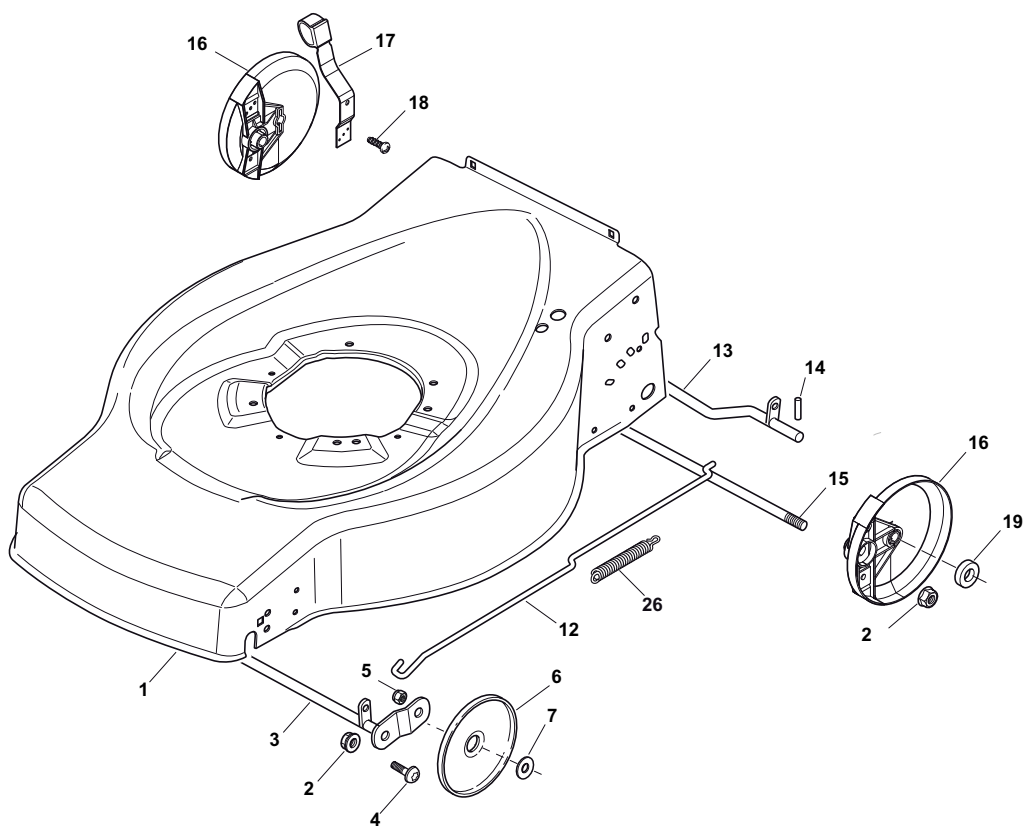
© Copyright 2013 Global Garden Products

All content is subject to copyright by Global Garden Products and may not be reproduced in whole or in part by any means, electronic or otherwise, without prior written approval.

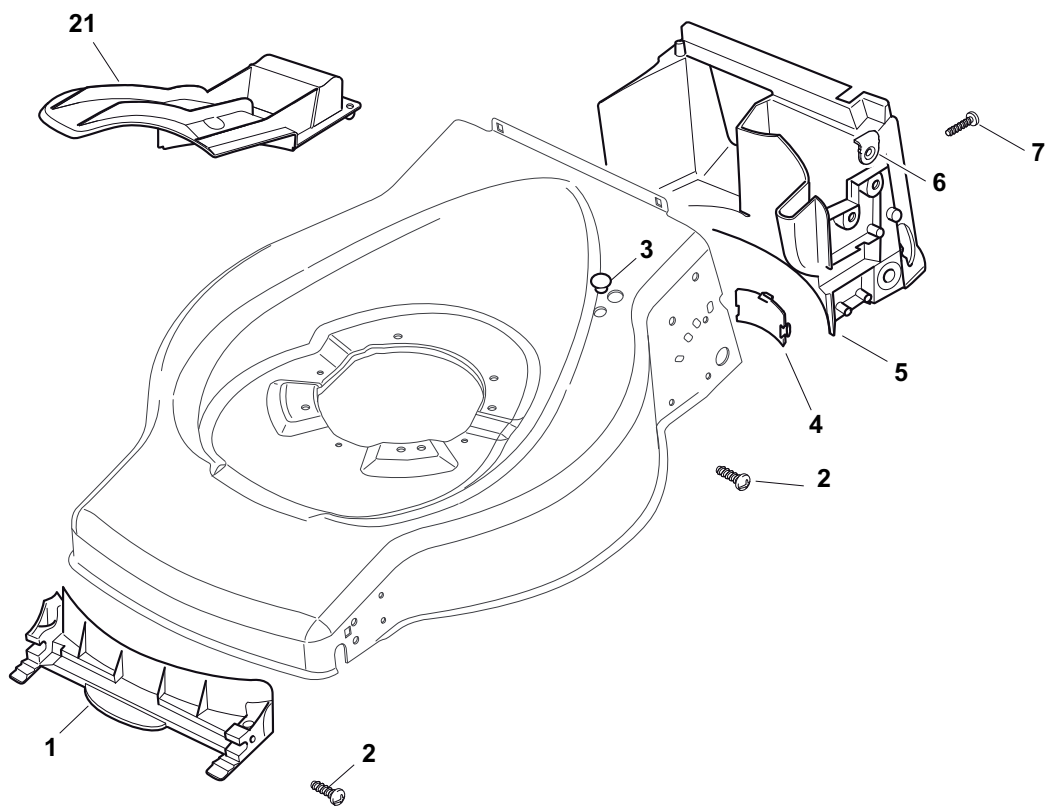
THIS INFORMATION IS NOT INTENDED FOR SALE OR RESALE, AND THIS NOTICE MUST REMAIN ON ALL COPIES.



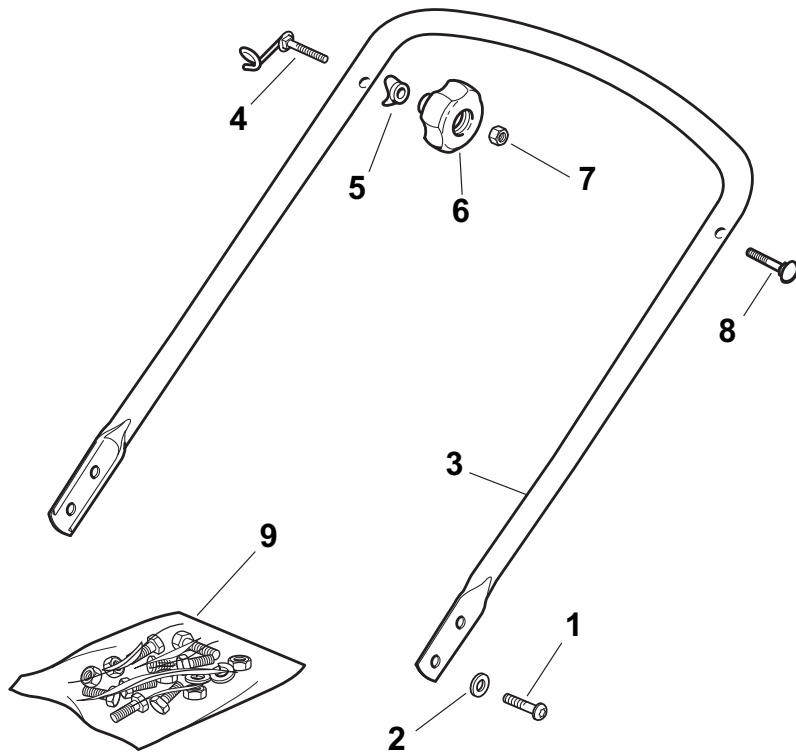
GLOBAL GARDEN PRODUCTS



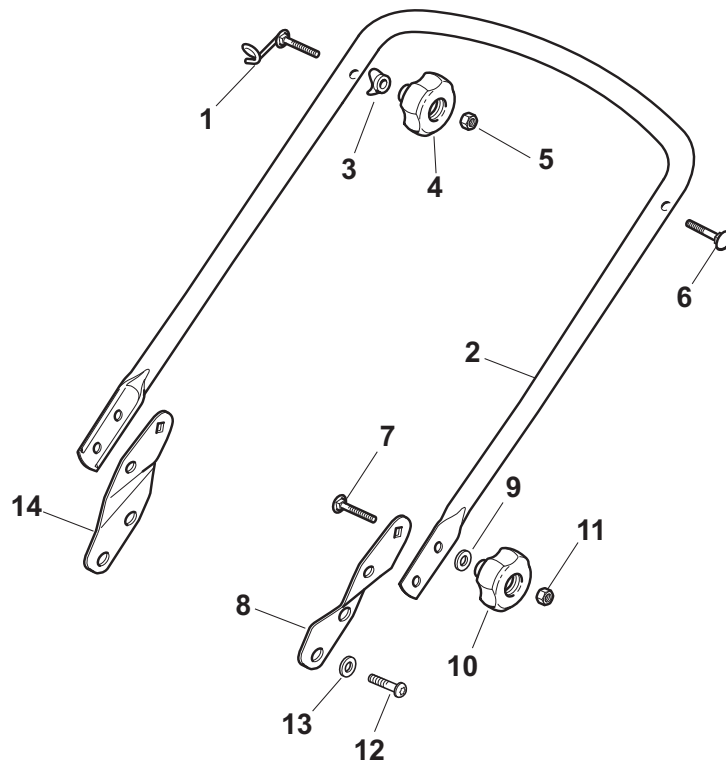
| POS | PART. NO | Q.ty | DESCRIPTION | DESCRIZIONE | DESCRIPTION | BESCHREIBUNG | REMARKS |
|-----|-------------|------|--------------------------|--------------------------|------------------------|------------------------|---------|
| 1 | 381003703/0 | 1 | Deck Red | Chassis Rosso | Châssis Rouge | Gehäuse Rot | |
| 2 | 122131750/0 | 4 | Nut | Dado | Ecrou | Mutter | |
| 3 | 381000153/0 | 1 | Axle, Front Wheels | Asse Ruote Anteriori | Axe Roues Avant | Achse, Vorderrad | |
| 4 | 112760600/0 | 2 | Screw | Vite | Vis | Schraube | |
| 5 | 112155000/0 | 2 | Nut | Dado | Ecrou | Mutter | |
| 6 | 322600095/0 | 2 | Protection, Wheel | Protezione Ruote | Protection Roue | Schütz, Räder | |
| 7 | 325670011/0 | 2 | Washer | Rosetta | Rondelle | Scheibe | |
| 12 | 122033319/0 | 1 | Adjustment Rod | Asta Regolazione | Tige Reglage | Verstellungstange | |
| 13 | 381000159/0 | 1 | Axle, Rear Wheels | Asse Ruote Posteriore | Axe Roues Arriere | Achse, Hinterrad | |
| 14 | 122753001/0 | 2 | Pin | Perno | Pivot | Bolzen | |
| 15 | 122033369/0 | 1 | Axle, Rear Wheels | Asse Ruote Posteriore | Axe Roues Arriere | Achse, Hinterrad | |
| 16 | 322600106/1 | 2 | Protection, Wheel | Protezione Ruote | Protection Roue | Schütz, Räder | |
| 17 | 381003303/0 | 1 | Lever, Height Adjustment | Leva Regolazione Altezza | Levier Reglage Hauteur | Hebel, Höneverstellung | |
| 18 | 112728689/0 | 2 | Screw | Vite | Vis | Schraube | |
| 19 | 322170622/0 | 2 | Washer | Rosetta | Rondelle | Scheibe | |
| 26 | 122446186/0 | 1 | Spring | Molla | Ressort | Feder | |



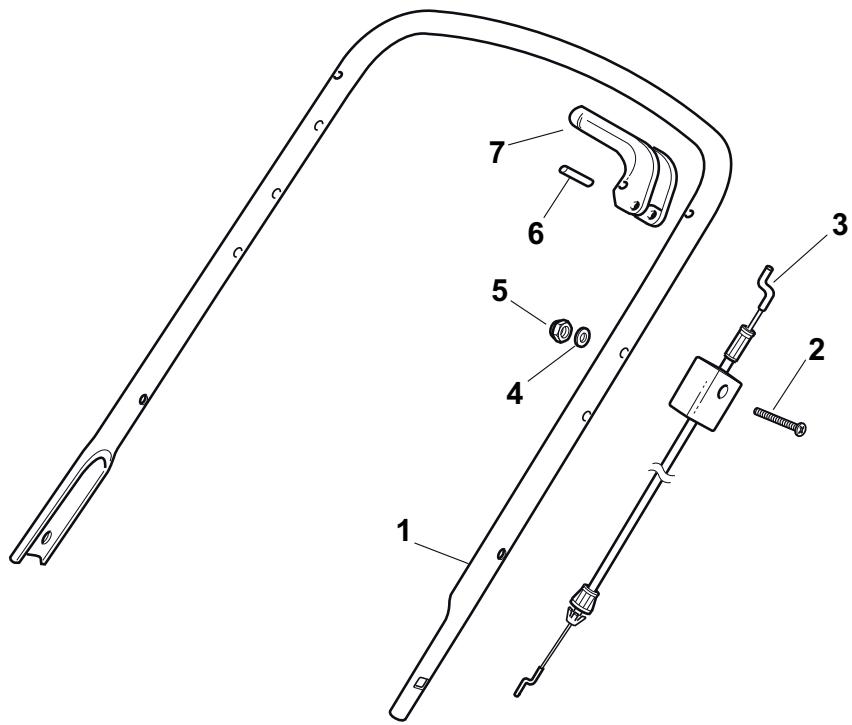
| POS | PART. NO | Q.ty | DESCRIPTION | DESCRIZIONE | DESCRIPTION | BESCHREIBUNG | REMARKS |
|-----|-------------|------|---------------------|---------------------|----------------------|-----------------------|---------|
| 1 | 322108271/0 | 1 | Front Conveyor Assy | Convogl. Anteriore | Ens. Convoyeur Avant | Hinterleitblechvorder | |
| 2 | 112728686/0 | 6 | Screw | Vite | Vis | Schraube | |
| 3 | 322820077/0 | 1 | Cap | Puntale | Bouchon | Gummistopfen | |
| 5 | 322108272/2 | 1 | Rear Conveyor Assy | Convogl. Posteriore | Ens. Convoyeur Post. | Hinterleitblechsatz | |
| 6 | 322545189/0 | 4 | Plate | Piastrina | Plaquette | Plättchen | |
| 7 | 112728686/0 | 2 | Screw | Vite | Vis | Schraube | |
| 21 | 322140233/0 | 1 | Deflector | Deflettore | Deflecteur | Abweiser | |



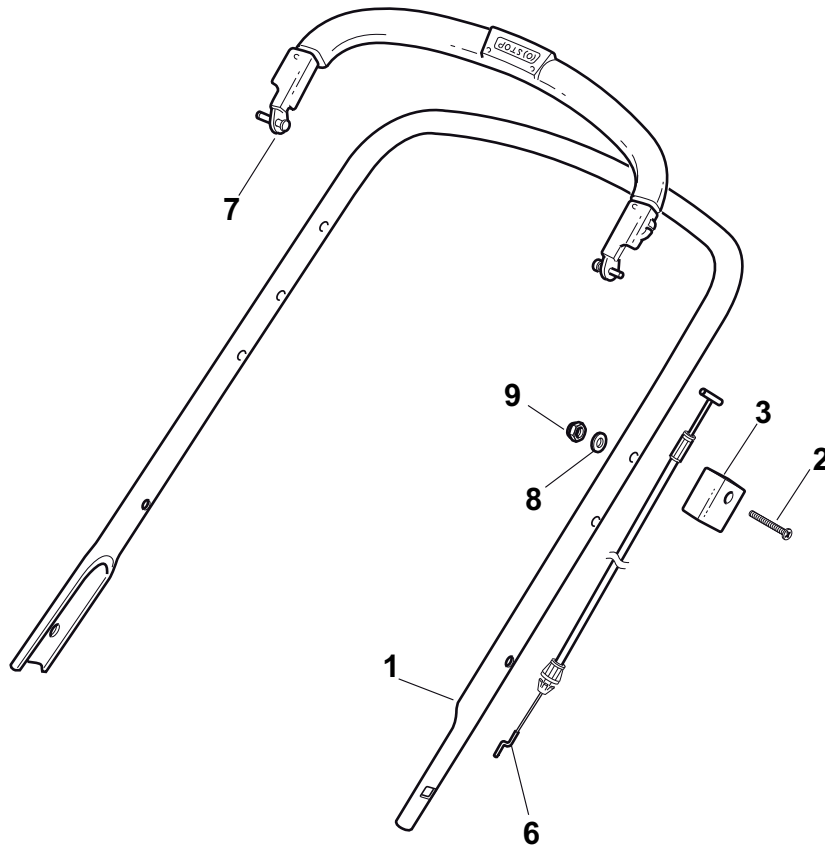
| POS | PART. NO | Q.ty | DESCRIPTION | DESCRIZIONE | DESCRIPTION | BESCHREIBUNG | REMARKS |
|-----|-------------|------|--------------------|--------------------|----------------------------|------------------|---------|
| 1 | 112760605/0 | 4 | Screw | Vite | Vis | Schraube | |
| 2 | 112521350/0 | 4 | Washer | Rosetta | Rondelle | Scheibe | |
| 3 | 381006686/0 | 1 | Handle, Lower Part | Parte Inf Maniglia | Poignée, Partie Inferieure | Griff, Unterteil | |
| 4 | 181003801/1 | 1 | Guide Spring | Molla Guida | Ressort De Guide | Feder Führer | |
| 5 | 122680006/1 | 2 | Washer | Rosetta | Rondelle | Scheibe | |
| 6 | 322399804/1 | 2 | Knob | Manopolina | Poignée | Griff | |
| 7 | 112293200/0 | 2 | Nut | Dado | Ecrou | Mutter | |
| 8 | 112819201/0 | 1 | Screw | Vite | Vis | Schraube | |
| 9 | 381008648/1 | 1 | Outfit, Screws | Dotazione Viteria | Dotation Visserie | Satz, Schrauben | |



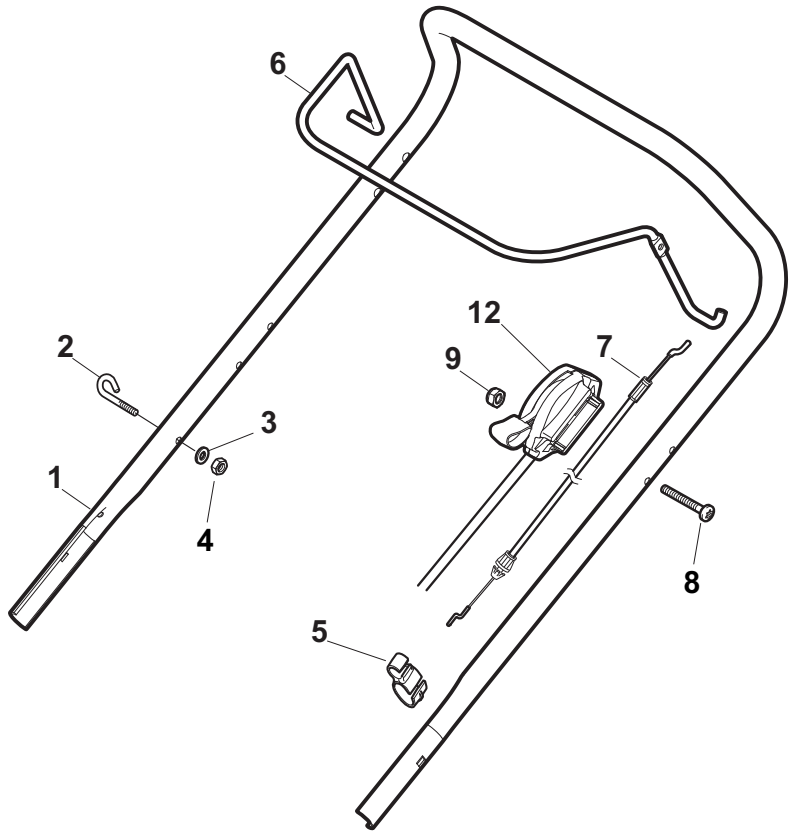
| POS | PART. NO | Q.ty | DESCRIPTION | DESCRIZIONE | DESCRIPTION | BESCHREIBUNG | REMARKS |
|-----|-------------|------|--------------------|--------------------|----------------------------|--------------------|---------|
| 1 | 181003801/1 | 1 | Guide Spring | Molla Guida | Ressort De Guide | Feder Führer | |
| 2 | 381006687/0 | 1 | Handle, Lower Part | Parte Inf Maniglia | Poignée, Partie Inferieure | Griff, Unterteil | |
| 3 | 122680006/1 | 2 | Washer | Rosetta | Rondelle | Scheibe | |
| 4 | 322399804/1 | 2 | Knob | Manopolina | Poignée | Griff | |
| 5 | 112293200/0 | 2 | Nut | Dado | Ecrou | Mutter | |
| 6 | 112819201/0 | 1 | Screw | Vite | Vis | Schraube | |
| 7 | 112818900/0 | 2 | Screw | Vite | Vis | Schraube | |
| 8 | 322778425/0 | 1 | Bracket, L | Staffa Sx | Etrier Gauche | Steigbügel, Linke | |
| 9 | 122671653/0 | 2 | Washer | Rosetta | Rondelle | Scheibe | |
| 10 | 322399804/1 | 2 | Knob | Manopolina | Poignée | Griff | |
| 11 | 112293200/0 | 2 | Nut | Dado | Ecrou | Mutter | |
| 12 | 112760605/0 | 4 | Screw | Vite | Vis | Schraube | |
| 13 | 112521350/0 | 4 | Washer | Rosetta | Rondelle | Scheibe | |
| 14 | 322778423/0 | 1 | Bracket, R | Staffa Dx | Etrier Droit | Steigbügel, Rechte | |



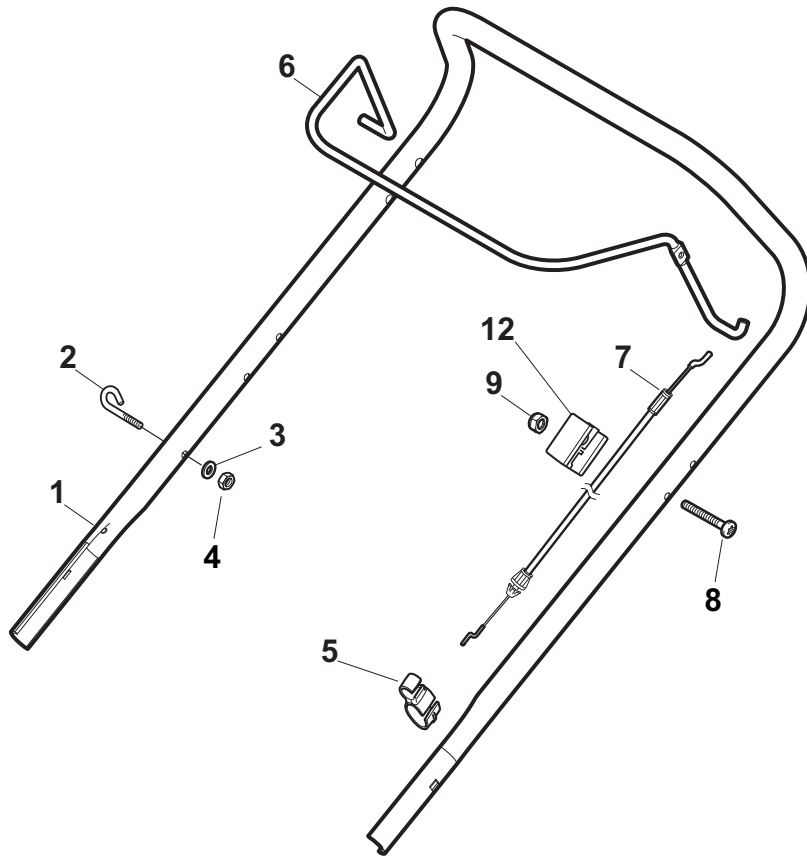
| POS | PART. NO | Q.ty | DESCRIPTION | DESCRIZIONE | DESCRIPTION | BESCHREIBUNG | REMARKS |
|-----|-------------|------|----------------------------|-------------------|------------------------------|--------------------|---------------------|
| 1 | 381006577/0 | 1 | Handle, Upper Part | Manico, Parte Sup | Mancheron, Partie Superieure | Holm, Oberteil | |
| 2 | 112674700/0 | 1 | Screw | Vite | Vis | Schraube | |
| 3 | 181030003/0 | 1 | Cable, Thread Engine Brake | Cavo Freno Motore | Cable Frein Moteur | Kabel, Motorbremse | B&S450-500 |
| 3 | 181030004/0 | 1 | Cable, Thread Engine Brake | Cavo Freno Motore | Cable Frein Moteur | Kabel, Motorbremse | BS675 - GGP - Honda |
| 3 | 181030005/0 | 1 | Cable, Thread Engine Brake | Cavo Freno Motore | Cable Frein Moteur | Kabel, Motorbremse | Sumec |
| 4 | 112521330/0 | 1 | Washer | Rosetta | Rondelle | Scheibe | |
| 5 | 112292100/0 | 1 | Nut | Dado | Ecrou | Mutter | |
| 6 | 112645710/0 | 1 | Pin | Perno | Pivot | Bolzen | |
| 7 | 322321700/1 | 1 | Lever, Eng. Brake | Leva Freno Motore | Levier Frein Moteur | Hebel, Motorbremse | |



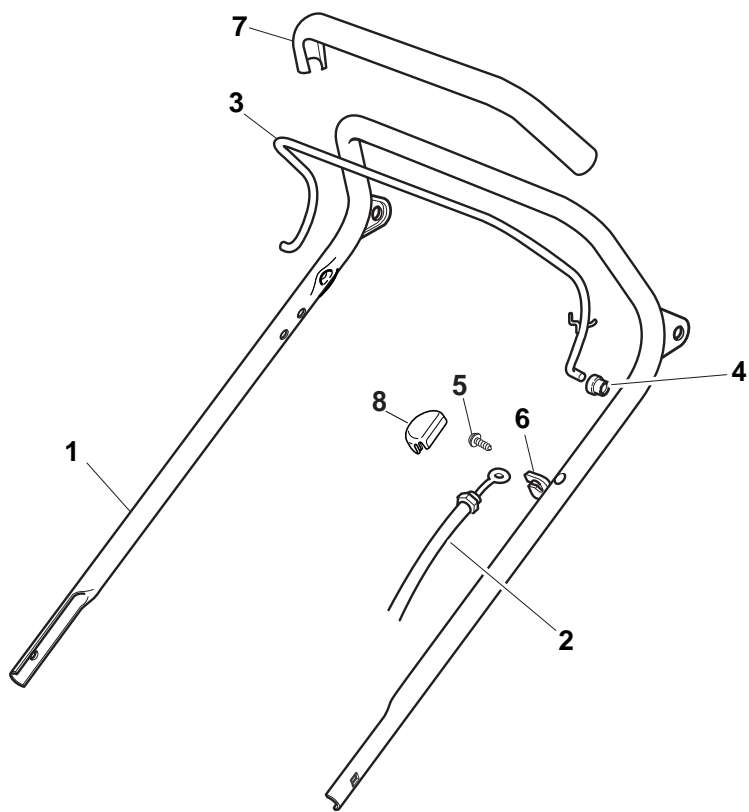
| POS | PART. NO | Q.ty | DESCRIPTION | DESCRIZIONE | DESCRIPTION | BESCHREIBUNG | REMARKS |
|-----|-------------|------|----------------------------|-------------------|------------------------------|--------------------|-------------------|
| 1 | 381006579/1 | 1 | Handle, Upper Part | Manico, Parte Sup | Mancheron, Partie Superieure | Holm, Oberteil | |
| 2 | 112689500/0 | 1 | Screw | Vite | Vis | Schraube | |
| 3 | 322551640/0 | 1 | Plate | Piastrina | Plaquette | Plättchen | |
| 6 | 181030000/0 | 1 | Cable, Thread Engine Brake | Cavo Freno Motore | Cable Frein Moteur | Kabel, Motorbremse | Sumec |
| 6 | 181030001/0 | 1 | Cable, Thread Engine Brake | Cavo Freno Motore | Cable Frein Moteur | Kabel, Motorbremse | GGP - Honda - B&S |
| 7 | 381003298/1 | 1 | Lever, Engine Brake | Leva Freno Motore | Levier Frein Moteur | Hebel, Motorbremse | |
| 8 | 112521330/0 | 1 | Washer | Rosetta | Rondelle | Scheibe | |
| 9 | 112292100/0 | 1 | Nut | Dado | Ecrou | Mutter | |



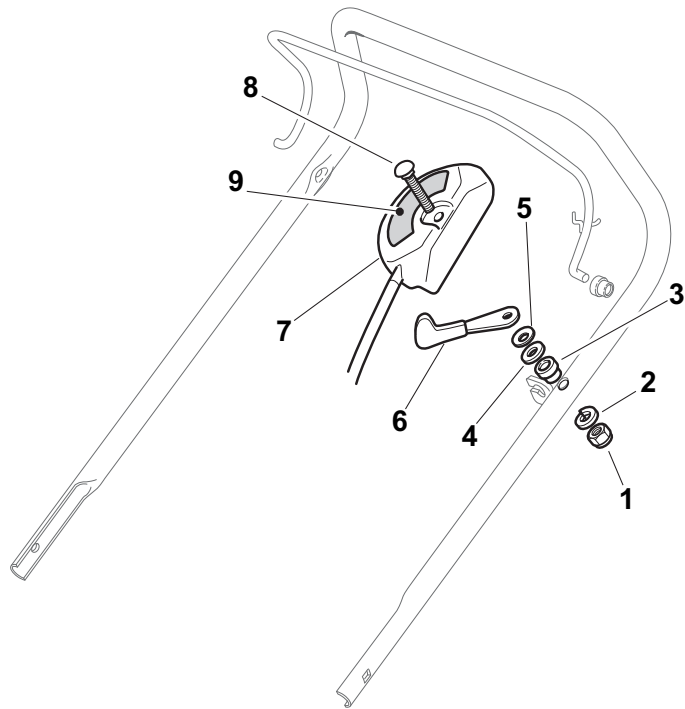
| POS | PART. NO | Q.ty | DESCRIPTION | DESCRIZIONE | DESCRIPTION | BESCHREIBUNG | REMARKS |
|-----|-------------|------|---|--|--|----------------------------------|-------------|
| 1 | 381006739/0 | 1 | Handle, Upper Part | Manico, Parte Sup | Mancheron, Partie Superieure | Holm, Oberteil | |
| 1 | 381006745/0 | 1 | Handle, Upper Part with sponge handgrip | Manico, Parte Sup. con impugantura in spugna | Mancheron, Partie Superieure avec éponge poignée | Holm, Oberteil Handgriff Schwamm | |
| 2 | 122430313/0 | 1 | Guide Spring | Molla Guida | Ressort De Guide | Feder Führer | |
| 3 | 112521330/0 | 1 | Washer | Rosetta | Rondelle | Scheibe | |
| 4 | 112154510/0 | 1 | Nut | Dado | Ecrou | Mutter | |
| 5 | 118390020/0 | 1 | Fairlead | Fermacavo | Fixation Cable | Kabelbefestigung | |
| 6 | 181003363/1 | 1 | Lever, Engine Brake Black | Leva Freno Motore Nero | Levier Frein Moteur Noir | Hebel, Motorbremse Schwarz | |
| 6 | 381003365/0 | 1 | Lever, Engine Brake Yellow | Leva Freno Motore, Giallo | Levier Frein Moteur Jaune | Hebel, Motorbremse, Gelb | |
| 6 | 381003376/0 | 1 | Lever, Engine Brake Red | Leva Freno Motore, Rosso | Levier Frein Moteur Rouge | Hebel, Motorbremse, Rot | |
| 7 | 181030057/0 | 1 | Cable, Thread Engine Brake | Cavo Freno Motore | Cable Frein Moteur | Kabel, Motorbremse | Honda - B&S |
| 7 | 181030087/0 | 1 | Cable, Thread Engine Brake | Cavo Freno Motore | Cable Frein Moteur | Kabel, Motorbremse | GGP 100cc |
| 8 | 112727788/0 | 1 | Screw | Vite | Vis | Schraube | |
| 9 | 112154510/0 | 1 | Nut | Dado | Ecrou | Mutter | |
| 12 | 181005508/0 | 1 | Throttle Cable | Cavo Acceleratore | Cable, Accelérateur | Gashebel Kabel | B&S |
| 12 | 181005509/0 | 1 | Throttle Cable | Cavo Acceleratore | Cable, Accelérateur | Gashebel Kabel | Honda - GGP |



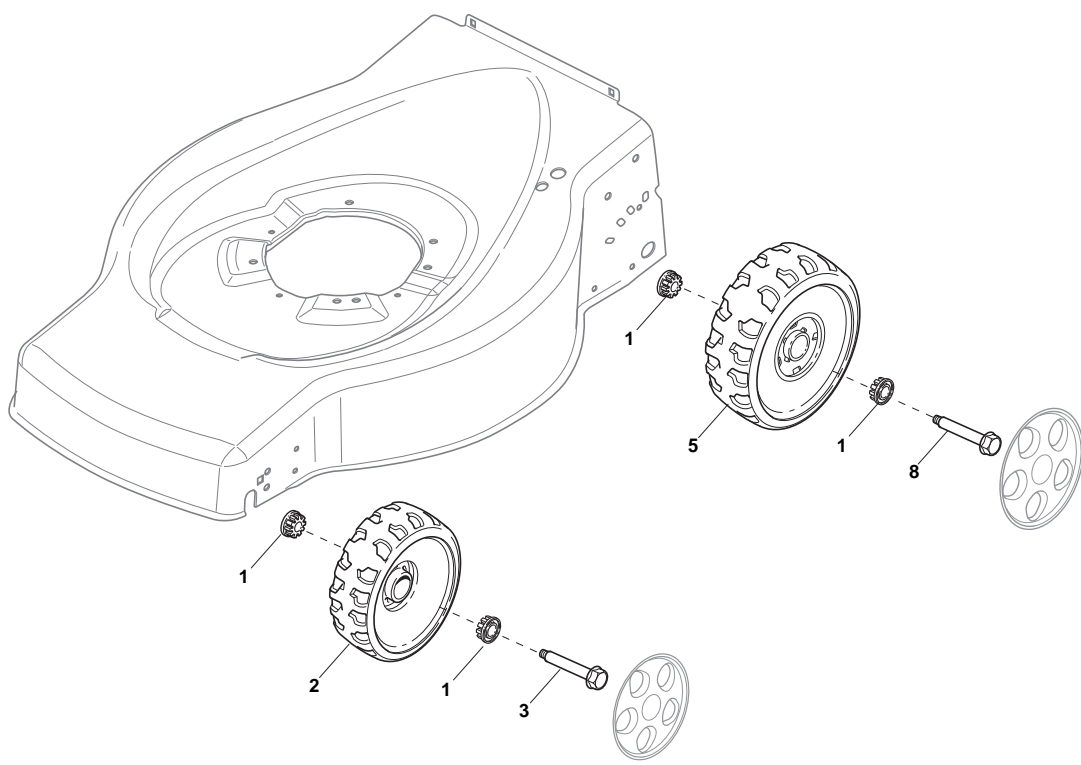
| POS | PART. NO | Q.ty | DESCRIPTION | DESCRIZIONE | DESCRIPTION | BESCHREIBUNG | REMARKS |
|-----|-------------|------|---|--|--|----------------------------------|-------------|
| 1 | 381006739/0 | 1 | Handle, Upper Part | Manico, Parte Sup | Mancheron, Partie Superieure | Holm, Oberteil | |
| 1 | 381006745/0 | 1 | Handle, Upper Part with sponge handgrip | Manico, Parte Sup. con impugantura in spugna | Mancheron, Partie Superieure avec éponge poignée | Holm, Oberteil Handgriff Schwamm | |
| 2 | 122430313/0 | 1 | Guide Spring | Molla Guida | Ressort De Guide | Feder Führer | |
| 3 | 112521330/0 | 1 | Washer | Rosetta | Rondelle | Scheibe | |
| 4 | 112154510/0 | 1 | Nut | Dado | Ecrou | Mutter | |
| 5 | 118390020/0 | 1 | Fairlead | Fermacavo | Fixation Cable | Kabelbefestigung | |
| 6 | 181003363/1 | 1 | Lever, Engine Brake Black | Leva Freno Motore Nero | Levier Frein Moteur Noir | Hebel, Motorbremse Schwarz | |
| 6 | 381003365/0 | 1 | Lever, Engine Brake Yellow | Leva Freno Motore, Giallo | Levier Frein Moteur Jaune | Hebel, Motorbremse, Gelb | |
| 6 | 381003376/0 | 1 | Lever, Engine Brake Red | Leva Freno Motore, Rosso | Levier Frein Moteur Rouge | Hebel, Motorbremse, Rot | |
| 7 | 181030057/0 | 1 | Cable, Thread Engine Brake | Cavo Freno Motore | Cable Frein Moteur | Kabel, Motorbremse | Honda - B&S |
| 7 | 181030087/0 | 1 | Cable, Thread Engine Brake | Cavo Freno Motore | Cable Frein Moteur | Kabel, Motorbremse | GGP 100cc |
| 8 | 112727783/0 | 1 | Screw | Vite | Vis | Schraube | |
| 9 | 112154510/0 | 1 | Nut | Dado | Ecrou | Mutter | |
| 12 | 322551640/0 | 1 | Plate | Piastrina | Plaquette | Plättchen | |



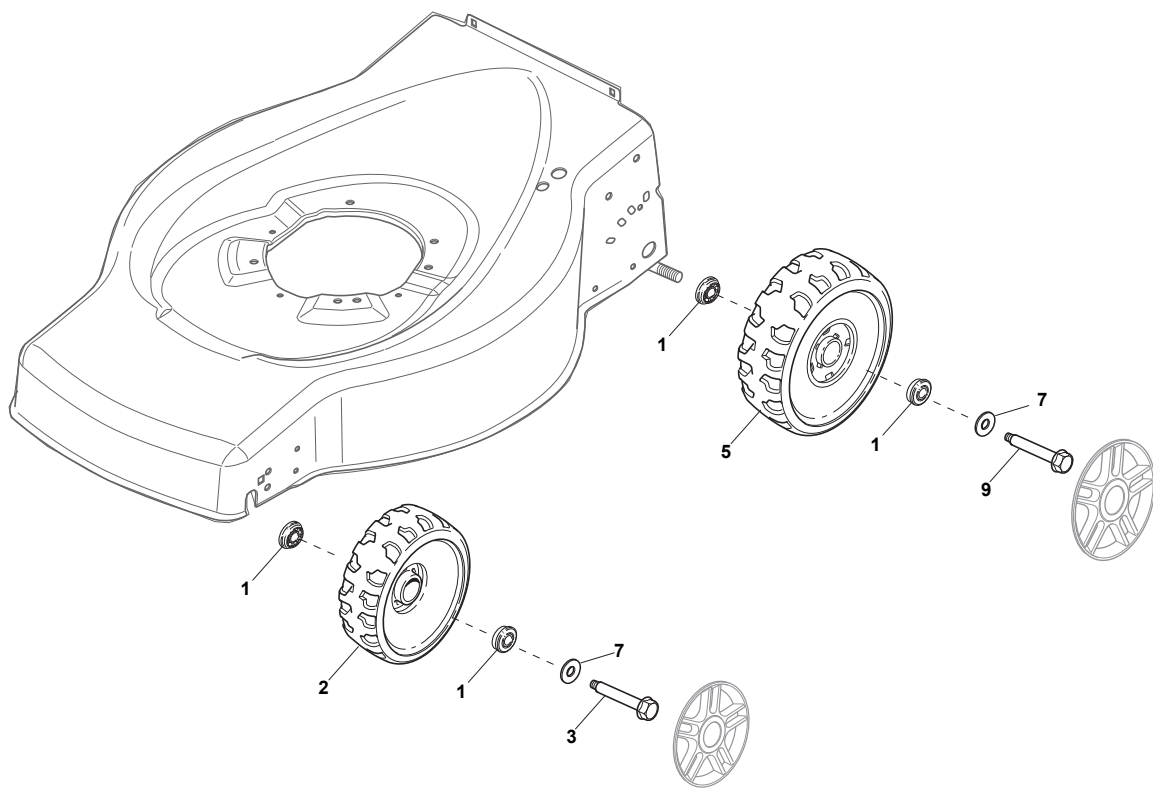
| POS | PART. NO | Q.ty | DESCRIPTION | DESCRIZIONE | DESCRIPTION | BESCHREIBUNG | REMARKS |
|-----|-------------|------|----------------------------|-------------------------|------------------------------|--------------------|------------------------|
| 1 | 381007018/1 | 1 | Handle, Upper Part | Manico, Parte Sup | Mancheron, Partie Superieure | Holm, Oberteil | |
| 2 | 181000622/2 | 1 | Cable, Thread Engine Brake | Cavo Freno Motore | Cable Frein Moteur | Kabel, Motorbremse | Sumec |
| 2 | 181000760/0 | 1 | Cable, Thread Engine Brake | Cavo Freno Motore | Cable Frein Moteur | Kabel, Motorbremse | GGP / B&S 625-675 |
| 2 | 181000761/0 | 1 | Cable, Thread Engine Brake | Cavo Freno Motore | Cable Frein Moteur | Kabel, Motorbremse | Honda / B&S 450-500 |
| 3 | 181003291/3 | 1 | Lever, Engine Brake | Leva Freno Motore | Levier Frein Moteur | Hebel, Motorbremse | |
| 4 | 122041966/0 | 2 | Bush | Bussola | Douille | Büchse | |
| 5 | 112728518/0 | 1 | Screw | Vite | Vis | Schraube | |
| 6 | 322806612/0 | 1 | Support | Supporto | Support | Halter | |
| 7 | 122291050/0 | 1 | Handgrip Black | Impugnatura Manico Nera | Poignée Noir | Handgriff Schwarz | |
| 8 | 122601000/0 | 1 | Protection | Protezione | Protection | Schutz | |



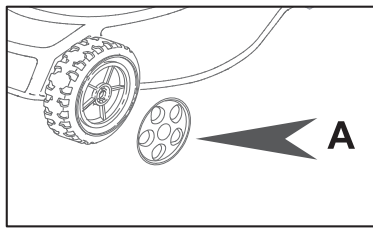
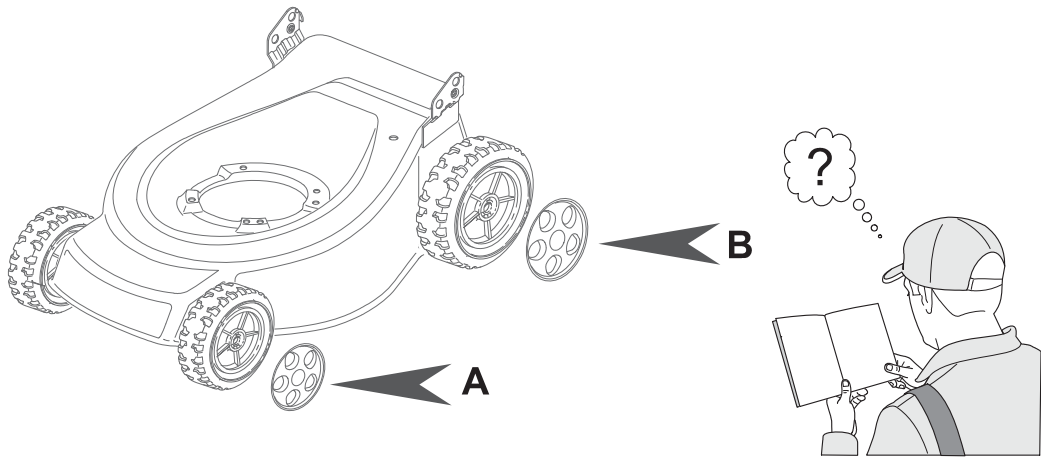
| POS | PART. NO | Q.ty | DESCRIPTION | DESCRIZIONE | DESCRIPTION | BESCHREIBUNG | REMARKS |
|-----|-------------|------|-----------------|--------------------|----------------------|----------------------|---------------------------|
| 1 | 112291000/0 | 1 | Nut | Dado | Ecrou | Mutter | |
| 2 | 112581500/0 | 1 | Grower | Grower | Grower | Federring | |
| 3 | 122171005/0 | 1 | Spacer | Distanziale | Entretoise | Distanzring | |
| 4 | 112521360/0 | 1 | Washer | Rosetta | Rondelle | Scheibe | |
| 5 | 112508100/0 | 1 | Spring Washer | Rosetta Elastica | Rondelle Elastique | Elastische Scheibe | |
| 6 | 381007220/0 | 1 | Lever, Throttle | Leva, Acceleratore | Levier, Accelérateur | Hebel, Beschleuniger | B&S450-500 / GGP 150cc |
| 6 | 381007279/1 | 1 | Lever, Throttle | Leva, Acceleratore | Levier, Accelérateur | Hebel, Beschleuniger | GGP - Honda - B&S |
| 7 | 481007080/0 | 1 | Throttle Cable | Cavo Acceleratore | Cable, Accelérateur | Gashebel Kabel | |
| 8 | 112815000/0 | 1 | Screw | Vite | Vis | Schraube | |
| 9 | 114356702/0 | 1 | Label | Etichetta | Etiquette | Etikette | Honda - GGP |
| 9 | 114356703/0 | 1 | Label | Etichetta | Etiquette | Etikette | B&S |
| 9 | 114356905/0 | 1 | Label | Etichetta | Etiquette | Etikette | B&S DOV |
| 9 | 114356905/0 | 1 | Label | Etichetta | Etiquette | Etikette | Honda Autochocke |



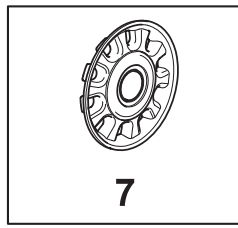
| POS | PART. NO | Q.ty | DESCRIPTION | DESCRIZIONE | DESCRIPTION | BESCHREIBUNG | REMARKS |
|-----|-------------|------|-------------|-------------|-------------|--------------|---------|
| 1 | 122034508/0 | 8 | Bush | Bussola | Douille | Büchse | |
| 2 | 322686091/1 | 2 | Wheel Ø 165 | Ruota Ø 165 | Roue Ø 165 | Rad Ø 165 | |
| 3 | 122524341/0 | 4 | Pin | Perno | Pivot | Bolzen | |
| 5 | 322686092/0 | 2 | Wheel Ø 190 | Ruota Ø 190 | Roue Ø190 | Rad Ø 190 | |
| 8 | 122524341/0 | 2 | Pin | Perno | Pivot | Bolzen | |



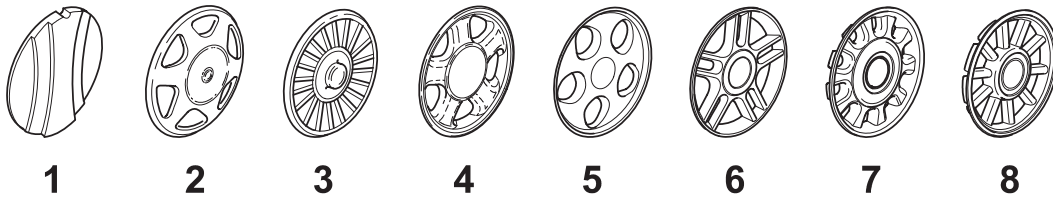
| POS | PART. NO | Q.ty | DESCRIPTION | DESCRIZIONE | DESCRIPTION | BESCHREIBUNG | REMARKS |
|-----|-------------|------|-------------|-------------|-------------|--------------|---------|
| 1 | 122122200/0 | 8 | Bearing | Cuscinetto | Coussinet | Lager | |
| 2 | 322686091/1 | 2 | Wheel Ø 165 | Ruota Ø 165 | Roue Ø 165 | Rad Ø 165 | |
| 3 | 122524341/0 | 4 | Pin | Perno | Pivot | Bolzen | |
| 5 | 322686092/0 | 2 | Wheel Ø 190 | Ruota Ø 190 | Roue Ø190 | Rad Ø 190 | |
| 7 | 122675100/0 | 4 | Washer | Rosetta | Rondelle | Scheibe | |
| 9 | 112735599/0 | 2 | Screw | Vite | Vis | Schraube | |



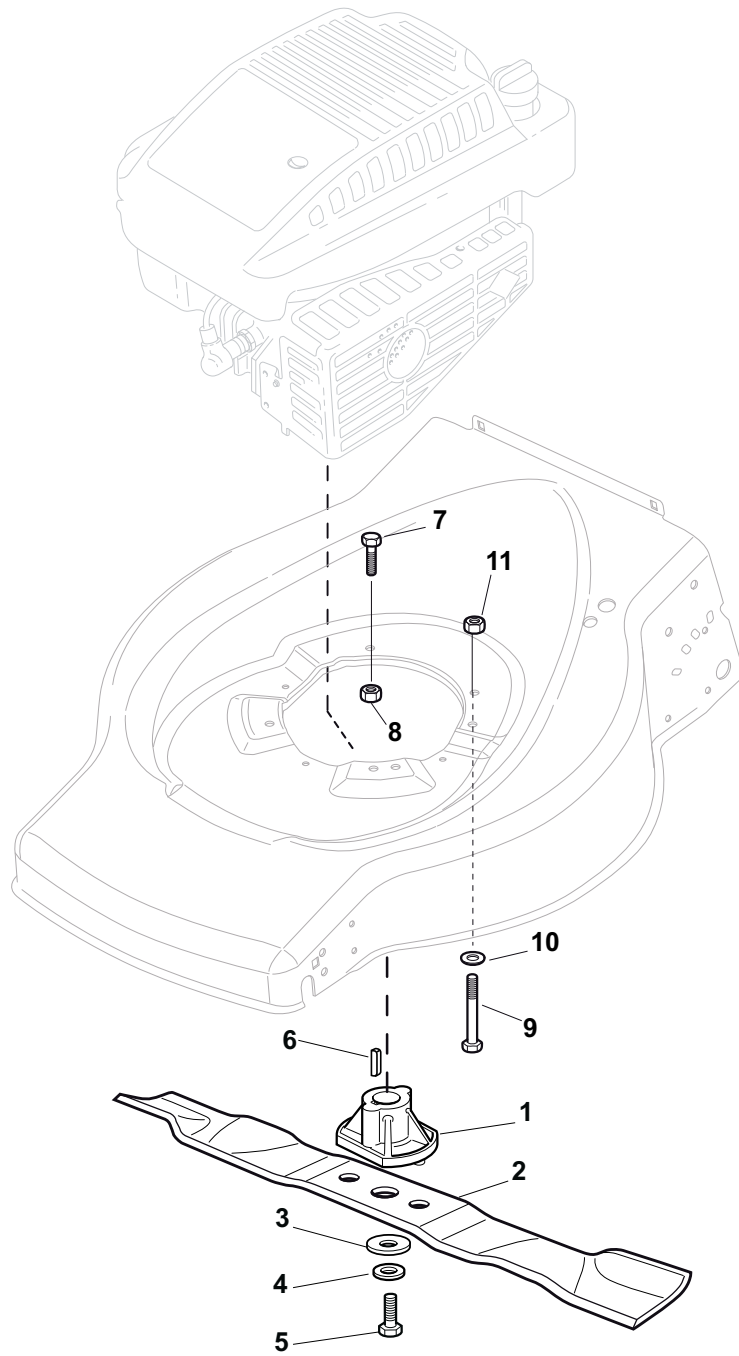
+



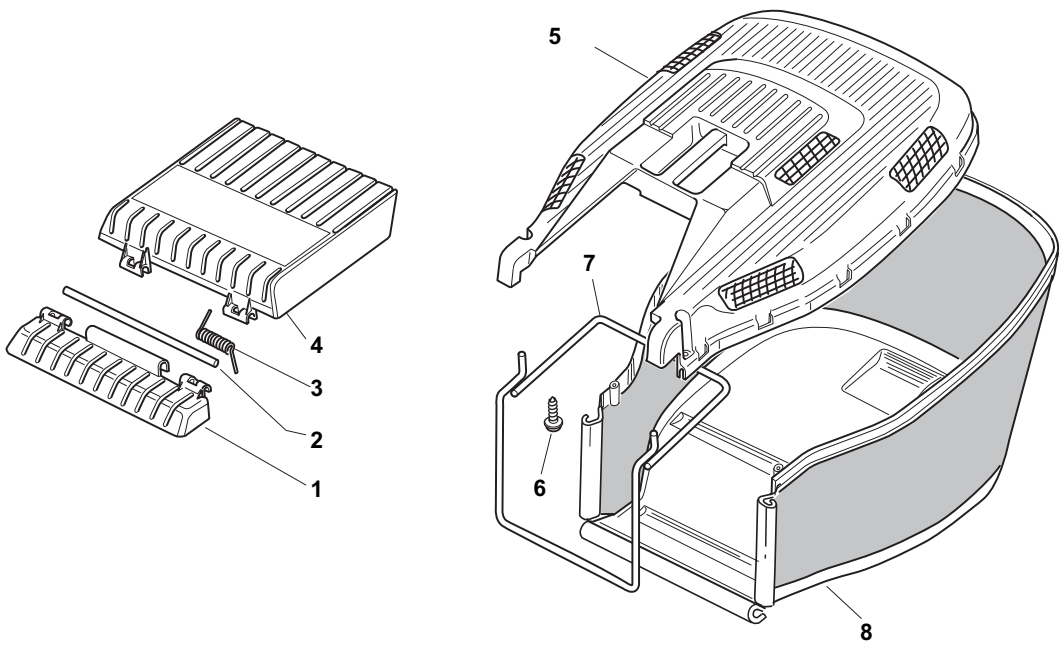
= A7



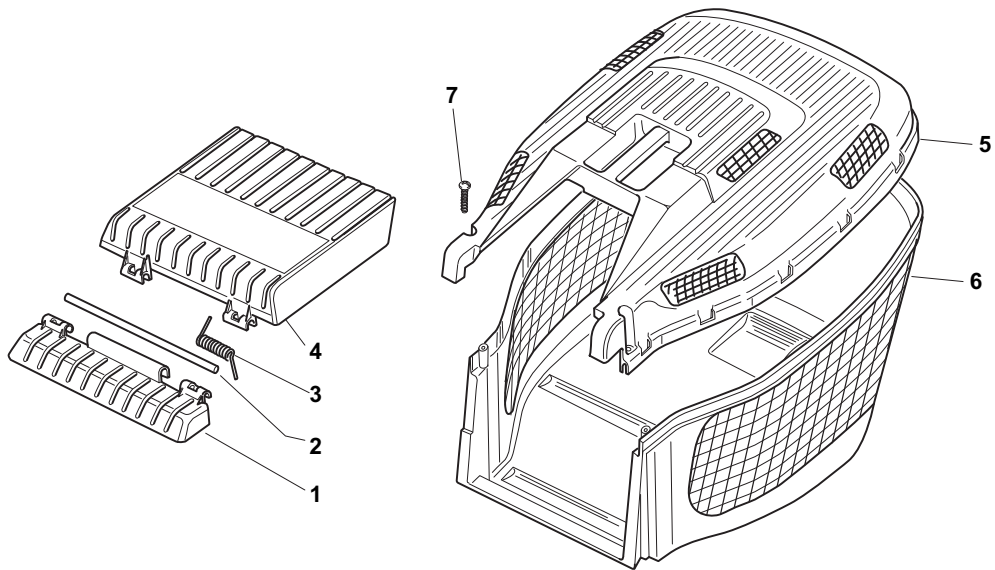
| POS | PART. NO | Q.ty | DESCRIPTION | DESCRIZIONE | DESCRIPTION | BESCHREIBUNG | REMARKS |
|-----|------------|------|----------------|------------------|--------------------|---------------|---------|
| A1 | 22110252/1 | 2 | Hub Cap White | Coprimito Bianco | Couvre-Moyeu Blanc | Radkappe Weiß | |
| A1 | 22110254/1 | 2 | Hub Cap Yellow | Coprimito Giallo | Couvre-Moyeu Jaune | Radkappe Gelb | |
| A1 | 22110255/1 | 2 | Hub Cap Red | Coprimito Rosso | Couvre-Moyeu Rouge | Radkappe Rot | |
| A2 | 22110344/0 | 2 | Hub Cap White | Coprimito Bianco | Couvre-Moyeu Blanc | Radkappe Weiß | |
| A2 | 22110395/0 | 2 | Hub Cap Grey | Coprimito Grigio | Couvre-Moyeu Gris | Radkappe Grau | |
| A3 | 22110347/0 | 2 | Hub Cap Grey | Coprimito Grigio | Couvre-Moyeu Gris | Radkappe Grau | |
| A4 | 22110381/0 | 2 | Hub Cap Grey | Coprimito Grigio | Couvre-Moyeu Gris | Radkappe Grau | |
| A5 | 22110416/0 | 2 | Hub Cap Grey | Coprimito Grigio | Couvre-Moyeu Gris | Radkappe Grau | |
| A6 | 22110491/0 | 2 | Hub Cap Grey | Coprimito Grigio | Couvre-Moyeu Gris | Radkappe Grau | |
| A7 | 22110493/0 | 2 | Hub Cap Grey | Coprimito Grigio | Couvre-Moyeu Gris | Radkappe Grau | |
| A8 | 22110495/0 | 2 | Hub Cap Grey | Coprimito Grigio | Couvre-Moyeu Gris | Radkappe Grau | |
| B1 | 22110251/0 | 2 | Hub Cap White | Coprimito Bianco | Couvre-Moyeu Blanc | Radkappe Weiß | |
| B1 | 22110253/0 | 2 | Hub Cap Yellow | Coprimito Giallo | Couvre-Moyeu Jaune | Radkappe Gelb | |
| B1 | 22110256/0 | 2 | Hub Cap Grey | Coprimito Grigio | Couvre-Moyeu Gris | Radkappe Grau | |
| B2 | 22110313/0 | 2 | Hub Cap White | Coprimito Bianco | Couvre-Moyeu Blanc | Radkappe Weiß | |
| B2 | 22110314/0 | 2 | Hub Cap Grey | Coprimito Grigio | Couvre-Moyeu Gris | Radkappe Grau | |
| B3 | 22110348/0 | 2 | Hub Cap Grey | Coprimito Grigio | Couvre-Moyeu Gris | Radkappe Grau | |
| B4 | 22110382/0 | 2 | Hub Cap Grey | Coprimito Grigio | Couvre-Moyeu Gris | Radkappe Grau | |
| B5 | 22110417/0 | 2 | Hub Cap Grey | Coprimito Grigio | Couvre-Moyeu Gris | Radkappe Grau | |
| B6 | 22110492/0 | 2 | Hub Cap Grey | Coprimito Grigio | Couvre-Moyeu Gris | Radkappe Grau | |
| B7 | 22110494/0 | 2 | Hub Cap Grey | Coprimito Grigio | Couvre-Moyeu Gris | Radkappe Grau | |
| B8 | 22110496/0 | 2 | Hub Cap Grey | Coprimito Grigio | Couvre-Moyeu Gris | Radkappe Grau | |



| POS | PART. NO | Q.ty | DESCRIPTION | DESCRIZIONE | DESCRIPTION | BESCHREIBUNG | REMARKS |
|-----|-------------|------|----------------------------|---------------------------------|-------------------------------|-------------------------|---------|
| 1 | 122463012/2 | 1 | Hub, Crankshaft Ø 22.2 | Mozzo, Albero Motore Ø 22.2 | Moyeu, Arbre Moteur Ø 22.2 | Nabe, Motorwelle Ø 22.2 | B&S-GGP |
| 1 | 122463020/1 | 1 | Hub, Crankshaft Ø 25 | Mozzo, Albero Motore Ø 25 | Moyeu, Arbre Moteur Ø 25 | Nabe, Motorwelle Ø 25 | Honda |
| 2 | 181004381/1 | 1 | Blade | Coltello | Lame | Messer | |
| 3 | 122160400/0 | 1 | Elastic Washer | Disco Elastico | Disque Elastique | Federscheibe | |
| 4 | 112523080/0 | 1 | Washer | Rosetta | Rondelle | Scheibe | |
| 5 | 112735698/0 | 1 | Screw | Vite | Vis | Schraube | |
| 6 | 112139100/0 | 1 | Feather, Crankshaft Ø 22.2 | Linguetta, Albero Motore Ø 22.2 | Clavette, Arbre Moteur Ø 22.2 | Keil, Motorwelle Ø 22.2 | B&S-GGP |
| 6 | 112139150/0 | 1 | Feather, Crankshaft Ø 25 | Linguetta, Albero Motore Ø 25 | Clavette, Arbre Moteur Ø 25 | Keil, Motorwelle Ø 25 | Honda |
| 7 | 112793701/0 | 2 | Screw | Vite | Vis | Schraube | |
| 8 | 112293201/0 | 2 | Nut | Dado | Ecrou | Mutter | |
| 9 | 112691800/0 | 1 | Screw | Vite | Vis | Schraube | |
| 10 | 112521350/0 | 1 | Washer | Rosetta | Rondelle | Scheibe | |
| 11 | 112155000/0 | 1 | Nut | Dado | Ecrou | Mutter | |



| POS | PART. NO | Q.ty | DESCRIPTION | DESCRIZIONE | DESCRIPTION | BESCHREIBUNG | REMARKS |
|-----|-------------|------|---------------------|-----------------|------------------------|---------------|---------|
| 1 | 322785136/1 | 1 | Support | Supporto | Support | Halter | |
| 2 | 122517858/0 | 1 | Pin | Perno | Pivot | Bolzen | |
| 3 | 122450431/0 | 1 | Spring | Molla | Ressort | Feder | |
| 4 | 322600099/2 | 1 | Stone-Guard | Parasassi | Pare-Pierres | Prallblech | |
| 5 | 322486122/0 | 1 | Grassbox Upper Part | Parte Sup.Sacco | Sac, Partie Superieure | Korb Oberteil | |
| 6 | 112728686/0 | 2 | Screw | Vite | Vis | Schraube | |
| 7 | 181006419/0 | 1 | Chassis Box | Telaio Sacco | Châssis Bac | Rahmen Sack | |
| 8 | 181002229/0 | 1 | Box, Fabric | Sacco, Tela | Sac, Toile | Sack, Tuck | |



| POS | PART. NO | Q.ty | DESCRIPTION | DESCRIZIONE | DESCRIPTION | BESCHREIBUNG | REMARKS |
|-----|-------------|------|---------------------|--------------------|------------------------|----------------|---------|
| 1 | 322785136/1 | 1 | Support | Supporto | Support | Halter | |
| 2 | 122517858/0 | 1 | Pin | Perno | Pivot | Bolzen | |
| 3 | 122450431/0 | 1 | Spring | Molla | Ressort | Feder | |
| 4 | 322600099/2 | 1 | Stone-Guard | Parasassi | Pare-Pierres | Prallblech | |
| 5 | 322486122/0 | 1 | Grassbox Upper Part | Parte Sup.Sacco | Sac, Partie Superieure | Korb Oberteil | |
| 6 | 322486128/0 | 1 | Grassbox Lower Part | Parte Infer. Sacco | Sac, Partie Inferieure | Korb Unterteil | |
| 7 | 112728686/0 | 2 | Screw | Vite | Vis | Schraube | |