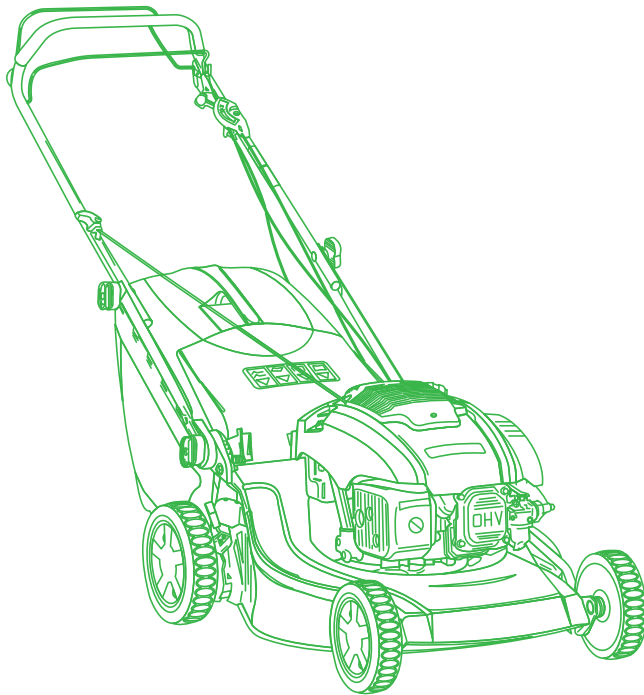


# ILLUSTRATED PARTS LIST

**CRL 484**  
**CRL 484 Q**  
**CSL 484**  
**CSL 484 Q**



- Use GLOBAL GARDEN PRODUCT Genuine Spare Parts specified in the parts list for repair and/or replacement.
- The contents described in the parts list may change due to improvement.
- The drawings of the spare parts are only indicative and might not represent the part in question exactly.
- The indications "right" - "left" - "front" - "rear" refer to the position of the operator when using the machine.
- When placing orders of parts for repair and/or replacement, make sure that the illustrated parts list is the one applying to the machine's year of manufacture, as shown on the identification plate attached to the machine.

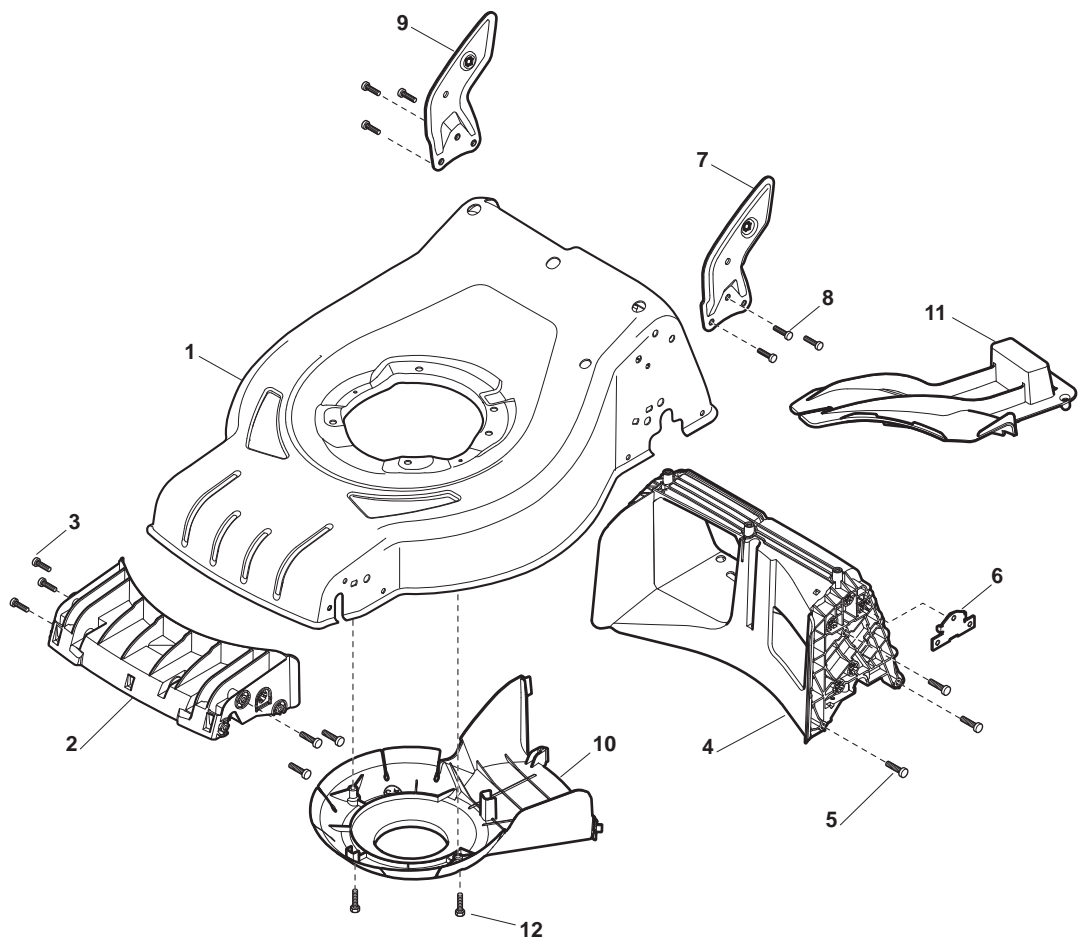
© Copyright 2013 Global Garden Products

All content is subject to copyright by Global Garden Products and may not be reproduced in whole or in part by any means, electronic or otherwise, without prior written approval.

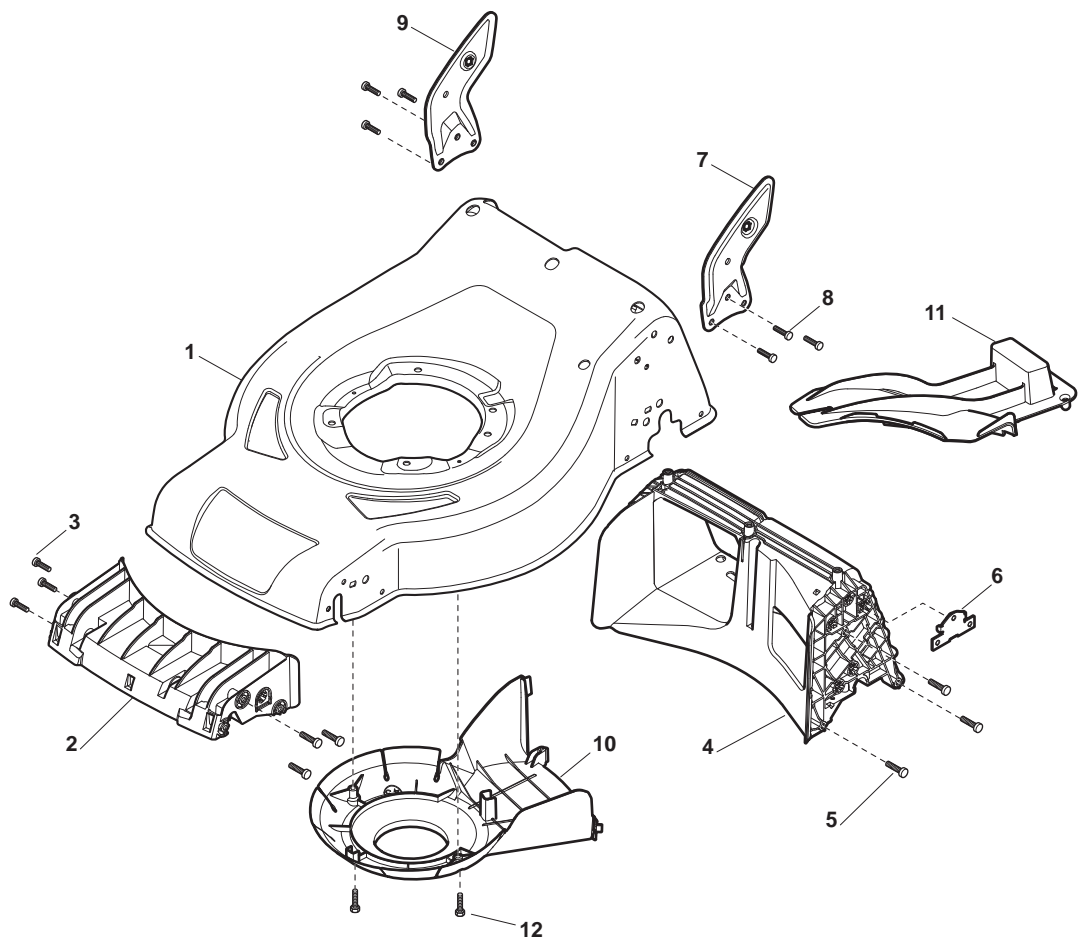
THIS INFORMATION IS NOT INTENDED FOR SALE OR RESALE, AND THIS NOTICE MUST REMAIN ON ALL COPIES.



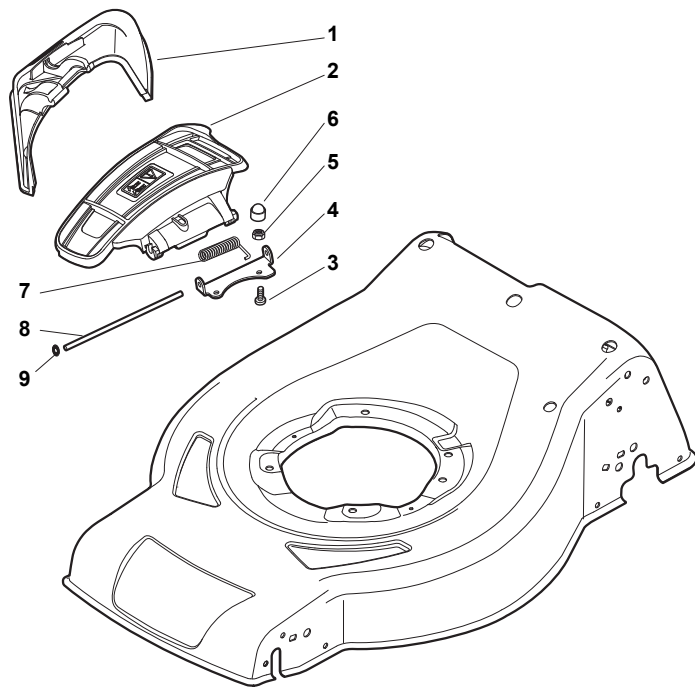
GLOBAL GARDEN PRODUCTS



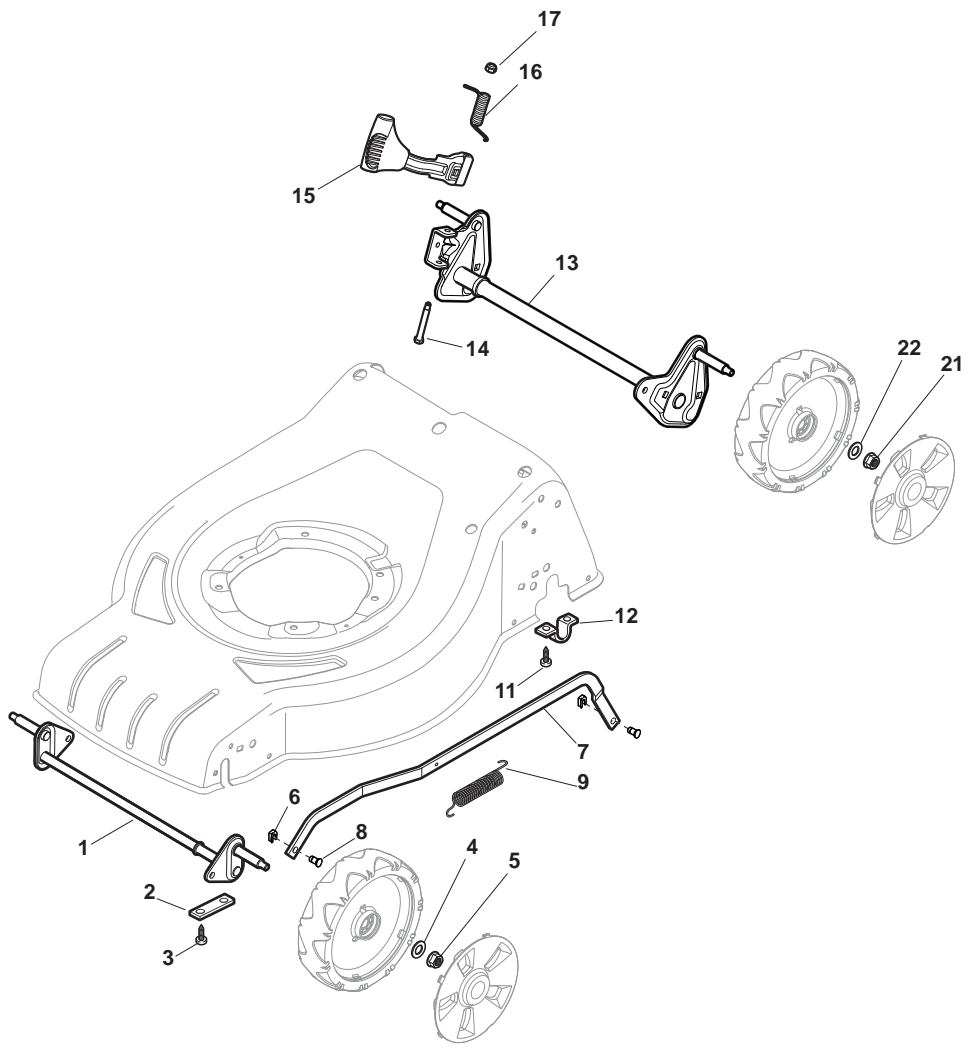
| POS | PART. NO    | Q.ty | DESCRIPTION         | DESCRIZIONE         | DESCRIPTION          | BESCHREIBUNG          | REMARKS        |
|-----|-------------|------|---------------------|---------------------|----------------------|-----------------------|----------------|
| 1   | 381004018/0 | 1    | Deck Red            | Chassis Rosso       | Châssis Rouge        | Gehäuse Rot           |                |
| 1   | 381004024/0 | 1    | Deck Black          | Chassis Nero        | Châssis Noir         | Gehäuse Schwarz       |                |
| 1   | 381004613/0 | 1    | Deck Red            | Chassis Rosso       | Châssis Rouge        | Gehäuse Rot           | Side Discharge |
| 2   | 322108301/1 | 1    | Front Conveyor Assy | Convogl. Anteriore  | Ens. Convoyeur Avant | Hinterleitblechvorder |                |
| 3   | 112728699/0 | 6    | Screw               | Vite                | Vis                  | Schraube              |                |
| 4   | 322108302/0 | 1    | Rear Conveyor Assy  | Convogl. Posteriore | Ens. Convoyeur Post. | Hinterleitblechsatz   |                |
| 5   | 112728699/0 | 6    | Screw               | Vite                | Vis                  | Schraube              |                |
| 6   | 322545213/0 | 2    | Plate               | Piastrina           | Plaquette            | Plättchen             |                |
| 7   | 381005139/0 | 1    | Bracket, L          | Staffa Sx           | Etrier Gauche        | Steigbügel, Linke     |                |
| 8   | 112727801/0 | 6    | Screw               | Vite                | Vis                  | Schraube              |                |
| 9   | 381005137/0 | 1    | Bracket, R          | Staffa Dx           | Etrier Droit         | Steigbügel, Rechte    |                |
| 10  | 322060242/0 | 1    | Protection, Belt    | Carter Cinghia      | Protection Courroire | Schutz, Riemen        |                |
| 11  | 322140239/0 | 1    | Deflector           | Deflettore          | Deflecteur           | Abweiser              |                |
| 12  | 112728530/0 | 2    | Screw               | Vite                | Vis                  | Schraube              |                |



| POS | PART. NO    | Q.ty | DESCRIPTION         | DESCRIZIONE         | DESCRIPTION          | BESCHREIBUNG          | REMARKS        |
|-----|-------------|------|---------------------|---------------------|----------------------|-----------------------|----------------|
| 1   | 381004020/0 | 1    | Deck Red            | Chassis Rosso       | Châssis Rouge        | Gehäuse Rot           |                |
| 1   | 381004051/0 | 1    | Deck Black          | Chassis Nero        | Châssis Noir         | Gehäuse Schwarz       |                |
| 1   | 381004548/0 | 1    | Deck Red            | Chassis Rosso       | Châssis Rouge        | Gehäuse Rot           | Side Discharge |
| 2   | 322108301/1 | 1    | Front Conveyor Assy | Convogl. Anteriore  | Ens. Convoyeur Avant | Hinterleitblechvorder |                |
| 3   | 112728699/0 | 6    | Screw               | Vite                | Vis                  | Schraube              |                |
| 4   | 322108302/0 | 1    | Rear Conveyor Assy  | Convogl. Posteriore | Ens. Convoyeur Post. | Hinterleitblechsatz   |                |
| 5   | 112728699/0 | 6    | Screw               | Vite                | Vis                  | Schraube              |                |
| 6   | 322545213/0 | 2    | Plate               | Piastrina           | Plaquette            | Plättchen             |                |
| 7   | 381005139/0 | 1    | Bracket, L          | Staffa Sx           | Etrier Gauche        | Steigbügel, Linke     |                |
| 8   | 112727801/0 | 6    | Screw               | Vite                | Vis                  | Schraube              |                |
| 9   | 381005137/0 | 1    | Bracket, R          | Staffa Dx           | Etrier Droit         | Steigbügel, Rechte    |                |
| 10  | 322060242/0 | 1    | Protection, Belt    | Carter Cinghia      | Protection Courroire | Schutz, Riemen        |                |
| 11  | 322140239/0 | 1    | Deflector           | Deflettore          | Deflecteur           | Abweiser              |                |
| 12  | 112728530/0 | 2    | Screw               | Vite                | Vis                  | Schraube              |                |

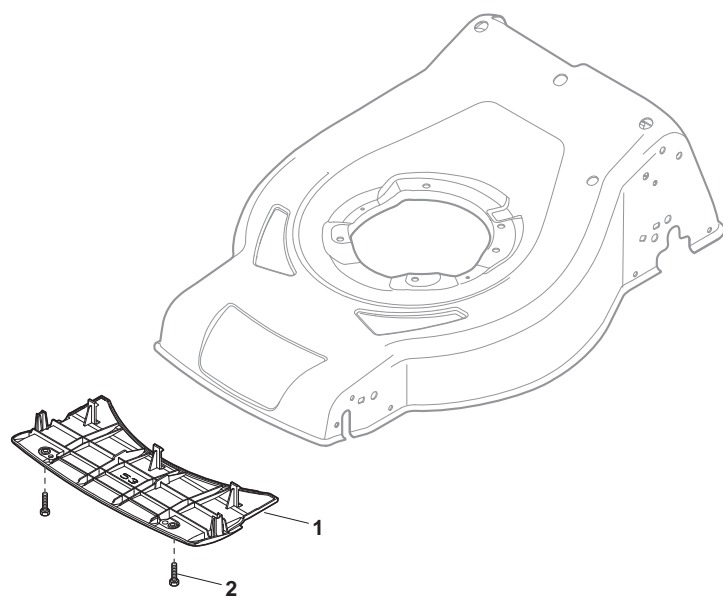


| POS | PART. NO    | Q.ty | DESCRIPTION        | DESCRIZIONE         | DESCRIPTION          | BESCHREIBUNG        | REMARKS |
|-----|-------------|------|--------------------|---------------------|----------------------|---------------------|---------|
| 1   | 322108309/0 | 1    | Rear Conveyor Assy | Convogl. Posteriore | Ens. Convoyeur Post. | Hinterleitblechsatz |         |
| 2   | 322600238/0 | 1    | Ejection Guard     | Protezione Uscita   | Protection Sortie    | Auswurfschutz       |         |
| 3   | 112727803/0 | 2    | Screw              | Vite                | Vis                  | Schraube            |         |
| 4   | 322806639/0 | 1    | Fulcrum Pin        | Perno Fulcro        | Pivot                | Gelenkpunkt         |         |
| 5   | 112154510/0 | 2    | Nut                | Dado                | Ecrou                | Mutter              |         |
| 6   | 118203853/0 | 2    | Protection         | Cappuccio           | Capuchon             | Stecker             |         |
| 7   | 122450456/0 | 1    | Spring             | Molla               | Ressort              | Feder               |         |
| 8   | 122517869/0 | 1    | Pin                | Perno               | Pivot                | Bolzen              |         |
| 9   | 112604896/0 | 2    | Crown Fastener     | Fissatore A Corona  | Fixateur A Couronne  | Kronescheibe        |         |

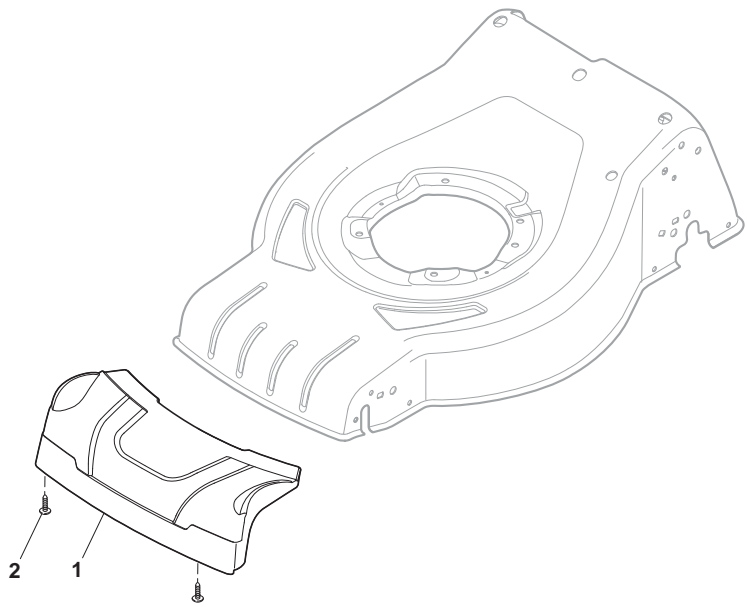




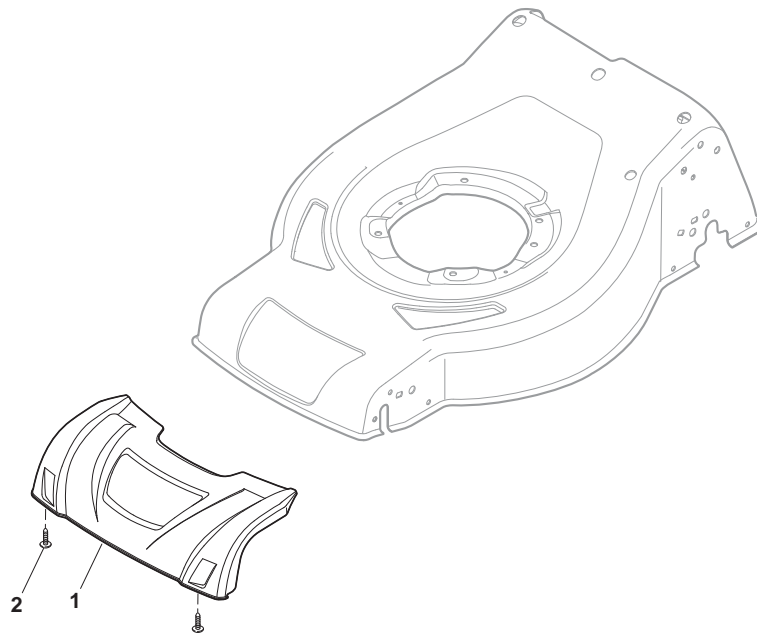
| POS | PART. NO    | Q.ty | DESCRIPTION              | DESCRIZIONE                 | DESCRIPTION                   | BESCHREIBUNG             | REMARKS              |
|-----|-------------|------|--------------------------|-----------------------------|-------------------------------|--------------------------|----------------------|
| 1   | 381302821/0 | 1    | Axle, Front Wheels       | Asse Ruote Anteriori        | Axe Roues Avant               | Achse, Vorderrad         |                      |
| 2   | 322545142/0 | 2    | Plate                    | Piastrina                   | Plaquette                     | Plättchen                |                      |
| 3   | 112728698/0 | 4    | Screw                    | Vite                        | Vis                           | Schraube                 |                      |
| 4   | 112521350/0 | 2    | Washer                   | Rosetta                     | Rondelle                      | Scheibe                  |                      |
| 5   | 112155000/0 | 2    | Nut                      | Dado                        | Ecrou                         | Mutter                   |                      |
| 6   | 112436051/0 | 2    | Plate                    | Piastrina                   | Plaquette                     | Plättchen                |                      |
| 7   | 322869671/0 | 1    | Rod, Height Adjustment   | Asta Comando Regol. Altezza | Tige Commande Reglage Hauteur | Stange, Höherverstellung | GGP-Honda-B&S Engine |
| 7   | 322869681/0 | 1    | Rod, Height Adjustment   | Asta Comando Regol. Altezza | Tige Commande Reglage Hauteur | Stange, Höherverstellung | B&S E series Engine  |
| 8   | 122519820/0 | 2    | Pin                      | Perno                       | Pivot                         | Bolzen                   |                      |
| 9   | 122446193/0 | 1    | Spring                   | Molla                       | Ressort                       | Feder                    |                      |
| 11  | 112728698/0 | 4    | Screw                    | Vite                        | Vis                           | Schraube                 |                      |
| 12  | 322545152/0 | 2    | Plate                    | Piastrina                   | Plaquette                     | Plättchen                |                      |
| 13  | 381302843/0 | 1    | Axle, Front Wheels       | Asse Ruote Anteriori        | Axe Roues Avant               | Achse, Vorderrad         |                      |
| 14  | 122534131/0 | 1    | Pin                      | Perno                       | Pivot                         | Bolzen                   |                      |
| 15  | 381003357/0 | 1    | Lever, Height Adjustment | Leva Regolazione Altezza    | Levier Reglage Hauteur        | Hebel, Höherverstellung  |                      |
| 16  | 122446192/0 | 1    | Spring                   | Molla                       | Ressort                       | Feder                    |                      |
| 17  | 112154510/0 | 1    | Nut                      | Dado                        | Ecrou                         | Mutter                   |                      |
| 21  | 112521350/0 | 2    | Washer                   | Rosetta                     | Rondelle                      | Scheibe                  |                      |
| 22  | 112155000/0 | 2    | Nut                      | Dado                        | Ecrou                         | Mutter                   |                      |



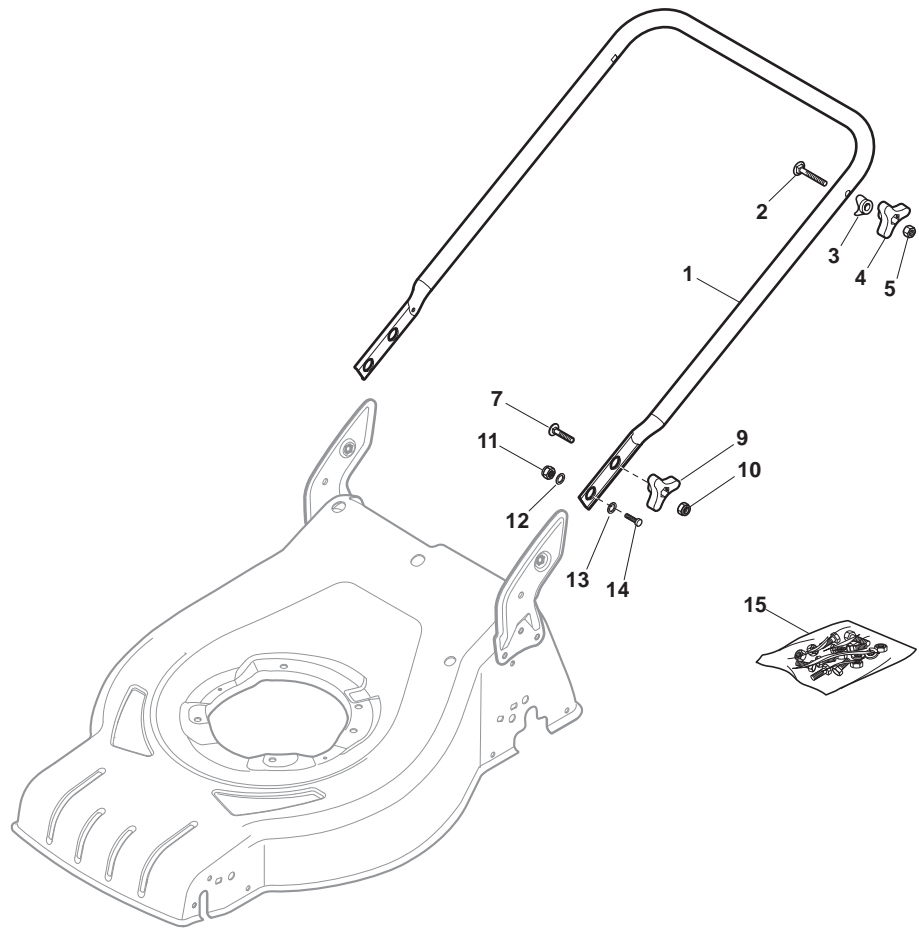
| POS | PART. NO    | Q.ty | DESCRIPTION | DESCRIZIONE       | DESCRIPTION | BESCHREIBUNG | REMARKS |
|-----|-------------|------|-------------|-------------------|-------------|--------------|---------|
| 1   | 322500106/0 | 1    | Front Combi | Pettine Anteriore | Vorne Comb  | Peigne Avant |         |
| 2   | 112728698/0 | 2    | Screw       | Vite              | Vis         | Schraube     |         |



| POS | PART. NO    | Q.ty | DESCRIPTION | DESCRIZIONE      | DESCRIPTION  | BESCHREIBUNG   | REMARKS |
|-----|-------------|------|-------------|------------------|--------------|----------------|---------|
| 1   | 322226170/0 | 1    | Mask, Black | Mascherina, Nero | Mesque, Noir | Maske, Schwarz |         |
| 2   | 112728698/0 | 2    | Screw       | Vite             | Vis          | Schraube       |         |

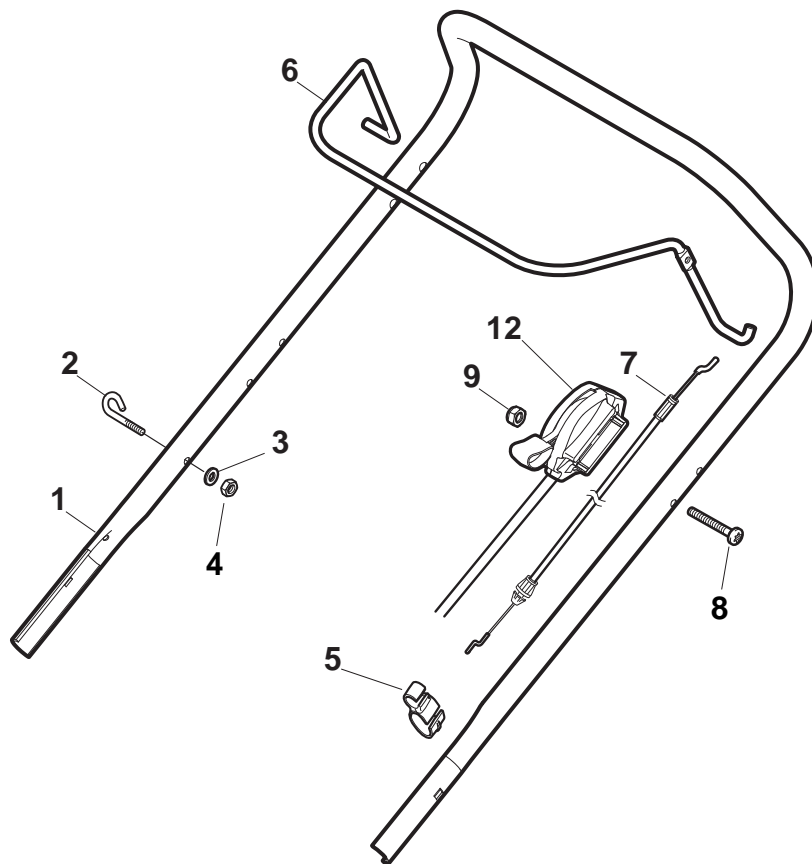


| POS | PART. NO    | Q.ty | DESCRIPTION | DESCRIZIONE      | DESCRIPTION  | BESCHREIBUNG   | REMARKS |
|-----|-------------|------|-------------|------------------|--------------|----------------|---------|
| 1   | 322226168/0 | 1    | Mask, Black | Mascherina, Nero | Mesque, Noir | Maske, Schwarz |         |
| 2   | 112728698/0 | 2    | Screw       | Vite             | Vis          | Schraube       |         |

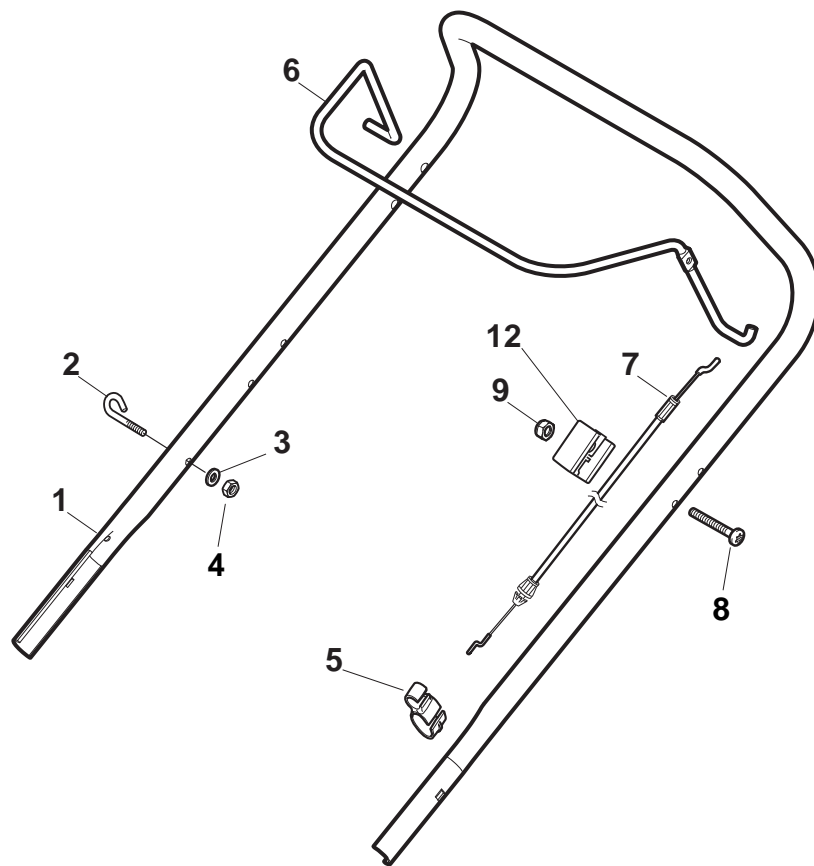




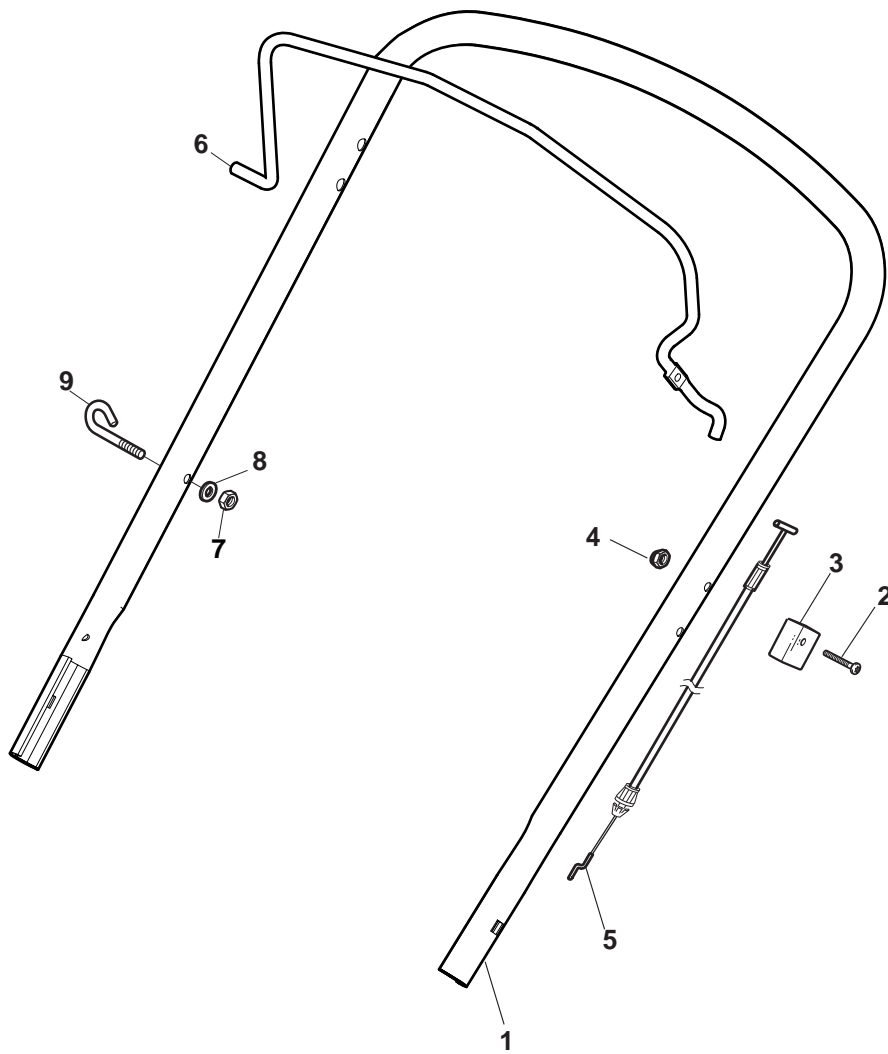
| POS | PART. NO    | Q.ty | DESCRIPTION           | DESCRIZIONE        | DESCRIPTION                | BESCHREIBUNG     | REMARKS |
|-----|-------------|------|-----------------------|--------------------|----------------------------|------------------|---------|
| 1   | 381006737/0 | 1    | Handle, Lower Part    | Parte Inf Maniglia | Poignée, Partie Inferieure | Griff, Unterteil |         |
| 2   | 112819110/0 | 2    | Screw                 | Vite               | Vis                        | Schraube         |         |
| 3   | 122671651/0 | 2    | Washer                | Rosetta            | Rondelle                   | Scheibe          |         |
| 4   | 122399900/0 | 2    | Knob, Black           | Manopolina         | Poignée, Noir              | Griff            | Black   |
| 4   | 322399840/0 | 2    | Knob, Yellow          | Manopolina         | Poignée, Jaune             | Griff            | Yellow  |
| 4   | 322399846/0 | 2    | Knob, Red             | Manopolina         | Poignée, Rouge             | Griff            | Red     |
| 5   | 112293200/0 | 2    | Nut                   | Dado               | Ecrou                      | Mutter           |         |
| 7   | 112818900/0 | 2    | Screw                 | Vite               | Vis                        | Schraube         |         |
| 9   | 122399900/0 | 2    | Knob, Black           | Manopolina         | Poignée, Noir              | Griff            | Black   |
| 9   | 322399840/0 | 2    | Knob, Yellow          | Manopolina         | Poignée, Jaune             | Griff            | Yellow  |
| 9   | 322399846/0 | 2    | Knob, Red             | Manopolina         | Poignée, Rouge             | Griff            | Red     |
| 10  | 112293200/0 | 2    | Nut                   | Dado               | Ecrou                      | Mutter           |         |
| 11  | 112155000/0 | 2    | Nut                   | Dado               | Ecrou                      | Mutter           |         |
| 12  | 112521350/0 | 2    | Washer                | Rosetta            | Rondelle                   | Scheibe          |         |
| 13  | 112369500/0 | 2    | Elastic Washer        | Disco Elastico     | Disque Elastique           | Federscheibe     |         |
| 14  | 112760605/0 | 2    | Screw                 | Vite               | Vis                        | Schraube         |         |
| 15  | 381008691/0 | 1    | Screws Outfit, Black  | Dotazione Viteria  | Dotation Visserie, Noir    | Satz, Schrauben  | Black   |
| 15  | 381008692/0 | 1    | Screws Outfit, Yellow | Dotazione Viteria  | Dotation Visserie, Jaune   | Satz, Schrauben  | Yellow  |
| 15  | 381008695/0 | 1    | Screws Outfit, Red    | Dotazione Viteria  | Dotation Visserie, Rouge   | Satz, Schrauben  | Red     |



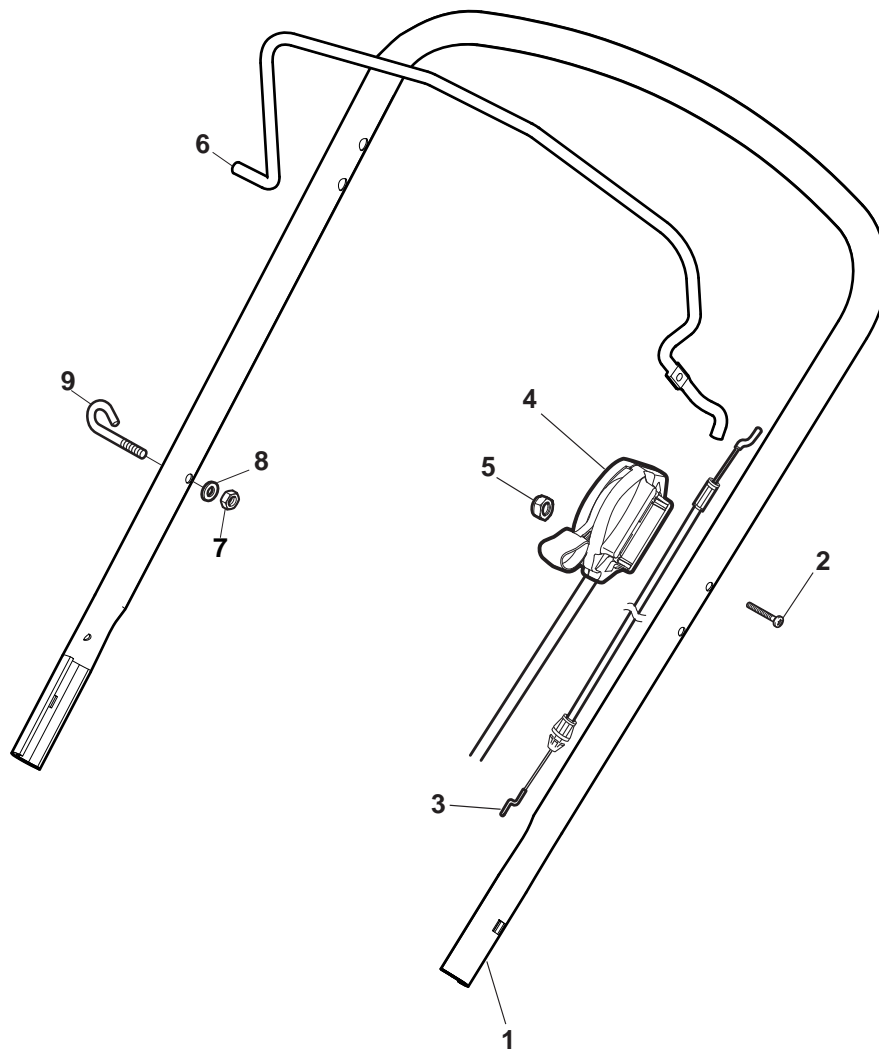
| POS | PART. NO    | Q.ty | DESCRIPTION                             | DESCRIZIONE                                  | DESCRIPTION                                      | BESCHREIBUNG                     | REMARKS          |
|-----|-------------|------|---|--|--|----------------------------------|------------------|
| 1   | 381006739/1 | 1    | Handle, Upper Part                      | Manico, Parte Sup                            | Mancheron, Partie Superieure                     | Holm, Oberteil                   |                  |
| 1   | 381006745/1 | 1    | Handle, Upper Part with sponge handgrip | Manico, Parte Sup. con impugantura in spugna | Mancheron, Partie Superieure avec éponge poignée | Holm, Oberteil Handgriff Schwamm |                  |
| 2   | 122430313/0 | 1    | Guide Spring                            | Molla Guida                                  | Ressort De Guide                                 | Feder Führer                     |                  |
| 3   | 112521330/0 | 1    | Washer                                  | Rosetta                                      | Rondelle   | Scheibe                          |                  |
| 4   | 112154510/0 | 1    | Nut                                     | Dado   | Ecrou  | Mutter                           |                  |
| 5   | 118390020/0 | 1    | Fairlead                                | Fermacavo                                    | Fixation Cable                                   | Kabelbefestigung                 |                  |
| 6   | 181003363/1 | 1    | Lever, Engine Brake Black               | Leva Freno Motore Nero                       | Levier Frein Moteur Noir                         | Hebel, Motorbremse Schwarz       |                  |
| 6   | 381003365/0 | 1    | Lever, Engine Brake Yellow              | Leva Freno Motore, Giallo                    | Levier Frein Moteur Jaune                        | Hebel, Motorbremse, Gelb         |                  |
| 6   | 381003376/0 | 1    | Lever, Engine Brake Red                 | Leva Freno Motore, Rosso                     | Levier Frein Moteur Rouge                        | Hebel, Motorbremse, Rot          |                  |
| 7   | 181030054/0 | 1    | Cable, Thread Engine Brake              | Cavo Freno Motore                            | Cable Frein Moteur                               | Kabel, Motorbremse               | GGP150cc         |
| 7   | 181030056/0 | 1    | Cable, Thread Engine Brake              | Cavo Freno Motore                            | Cable Frein Moteur                               | Kabel, Motorbremse               | GGP-B&S Engine   |
| 7   | 181030069/1 | 1    | Cable, Thread Engine Brake              | Cavo Freno Motore                            | Cable Frein Moteur                               | Kabel, Motorbremse               | Honda Engine     |
| 8   | 112727783/0 | 1    | Screw                                   | Vite   | Vis  | Schraube                         |                  |
| 9   | 112154510/0 | 1    | Nut                                     | Dado   | Ecrou  | Mutter                           |                  |
| 12  | 181005504/1 | 1    | Throttle Cable                          | Cavo Acceleratore                            | Cable, Accelérateur                              | Gashebel Kabel                   | GGP150cc         |
| 12  | 181005511/0 | 1    | Throttle Cable                          | Cavo Acceleratore                            | Cable, Accelérateur                              | Gashebel Kabel                   | B&S              |
| 12  | 181005517/0 | 1    | Throttle Cable                          | Cavo Acceleratore                            | Cable, Accelérateur                              | Gashebel Kabel                   | GGP-Honda Engine |
| 12  | 181005526/0 | 1    | Throttle Cable                          | Cavo Acceleratore                            | Cable, Accelérateur                              | Gashebel Kabel                   | DOV 850          |
| 12  | 181005532/0 | 1    | Throttle Cable                          | Cavo Acceleratore                            | Cable, Accelérateur                              | Gashebel Kabel                   | GGP100cc         |
| 12  | 181005533/0 | 1    | Throttle Cable                          | Cavo Acceleratore                            | Cable, Accelérateur                              | Gashebel Kabel                   | B&S E series     |
| 12  | 122450063/0 | 1    | Spring                                  | Molla  | Ressort  | Feder                            |                  |



| POS | PART. NO    | Q.ty | DESCRIPTION                             | DESCRIZIONE                                  | DESCRIPTION                                      | BESCHREIBUNG                     | REMARKS        |
|-----|-------------|------|---|--|--|----------------------------------|----------------|
| 1   | 381006739/1 | 1    | Handle, Upper Part                      | Manico, Parte Sup                            | Mancheron, Partie Superieure                     | Holm, Oberteil                   |                |
| 1   | 381006745/1 | 1    | Handle, Upper Part with sponge handgrip | Manico, Parte Sup. con impugantura in spugna | Mancheron, Partie Superieure avec éponge poignée | Holm, Oberteil Handgriff Schwamm |                |
| 2   | 122430313/0 | 1    | Guide Spring                            | Molla Guida                                  | Ressort De Guide                                 | Feder Führer                     |                |
| 3   | 112521330/0 | 1    | Washer                                  | Rosetta                                      | Rondelle   | Scheibe                          |                |
| 4   | 112154510/0 | 1    | Nut                                     | Dado   | Ecrou  | Mutter                           |                |
| 5   | 118390020/0 | 1    | Fairlead                                | Fermacavo                                    | Fixation Cable                                   | Kabelbefestigung                 |                |
| 6   | 181003363/1 | 1    | Lever, Engine Brake Black               | Leva Freno Motore Nero                       | Levier Frein Moteur Noir                         | Hebel, Motorbremse Schwarz       |                |
| 6   | 381003365/0 | 1    | Lever, Engine Brake Yellow              | Leva Freno Motore, Giallo                    | Levier Frein Moteur Jaune                        | Hebel, Motorbremse, Gelb         |                |
| 6   | 381003376/0 | 1    | Lever, Engine Brake Red                 | Leva Freno Motore, Rosso                     | Levier Frein Moteur Rouge                        | Hebel, Motorbremse, Rot          |                |
| 7   | 181030054/0 | 1    | Cable, Thread Engine Brake              | Cavo Freno Motore                            | Cable Frein Moteur                               | Kabel, Motorbremse               | GGP150cc       |
| 7   | 181030056/0 | 1    | Cable, Thread Engine Brake              | Cavo Freno Motore                            | Cable Frein Moteur                               | Kabel, Motorbremse               | GGP-B&S Engine |
| 7   | 181030069/1 | 1    | Cable, Thread Engine Brake              | Cavo Freno Motore                            | Cable Frein Moteur                               | Kabel, Motorbremse               | Honda Engine   |
| 8   | 112727783/0 | 1    | Screw                                   | Vite   | Vis  | Schraube                         |                |
| 9   | 112154510/0 | 1    | Nut                                     | Dado   | Ecrou  | Mutter                           |                |
| 12  | 322551640/0 | 1    | Plate                                   | Piastrina                                    | Plaquette  | Plättchen                        |                |

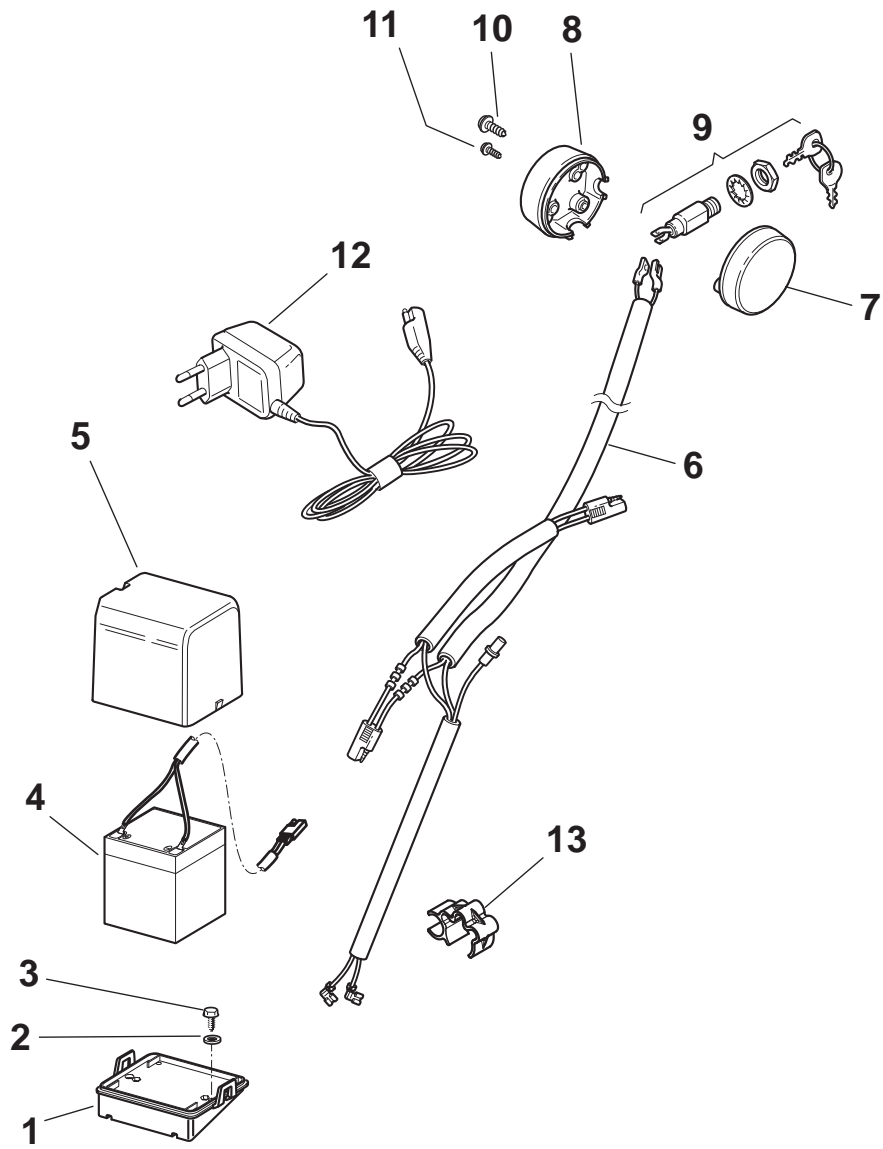


| POS | PART. NO    | Q.ty | DESCRIPTION                | DESCRIZIONE       | DESCRIPTION                  | BESCHREIBUNG       | REMARKS       |
|-----|-------------|------|----------------------------|-------------------|------------------------------|--------------------|---------------|
| 1   | 381006740/0 | 1    | Handle, Upper Part         | Manico, Parte Sup | Mancheron, Partie Superieure | Holm, Oberteil     |               |
| 2   | 112727788/0 | 1    | Screw                      | Vite              | Vis                          | Schraube           |               |
| 3   | 322551640/0 | 1    | Plate                      | Piastrina         | Plaquette                    | Plättchen          |               |
| 4   | 112154510/0 | 1    | Nut                        | Dado              | Ecrou                        | Mutter             |               |
| 5   | 181030053/0 | 1    | Cable, Thread Engine Brake | Cavo Freno Motore | Cable Frein Moteur           | Kabel, Motorbremse | GGP150cc      |
| 5   | 181030084/0 | 1    | Cable, Thread Engine Brake | Cavo Freno Motore | Cable Frein Moteur           | Kabel, Motorbremse | GGP-B&S-Honda |
| 6   | 181003369/0 | 1    | Lever, Engine Brake        | Leva Freno Motore | Levier Frein Moteur          | Hebel, Motorbremse |               |
| 7   | 112154510/0 | 1    | Nut                        | Dado              | Ecrou                        | Mutter             |               |
| 8   | 112521330/0 | 1    | Washer                     | Rosetta           | Rondelle                     | Scheibe            |               |
| 9   | 122430313/0 | 1    | Guide Spring               | Molla Guida       | Ressort De Guide             | Feder Führer       |               |

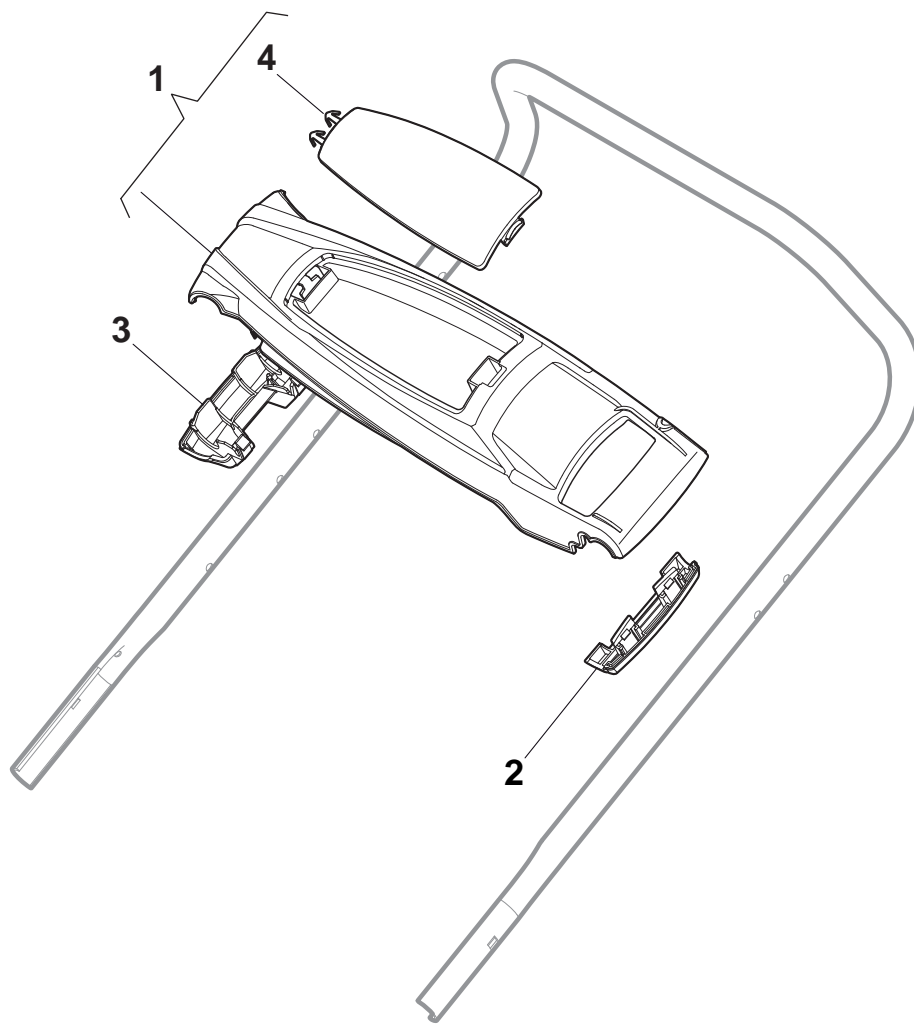




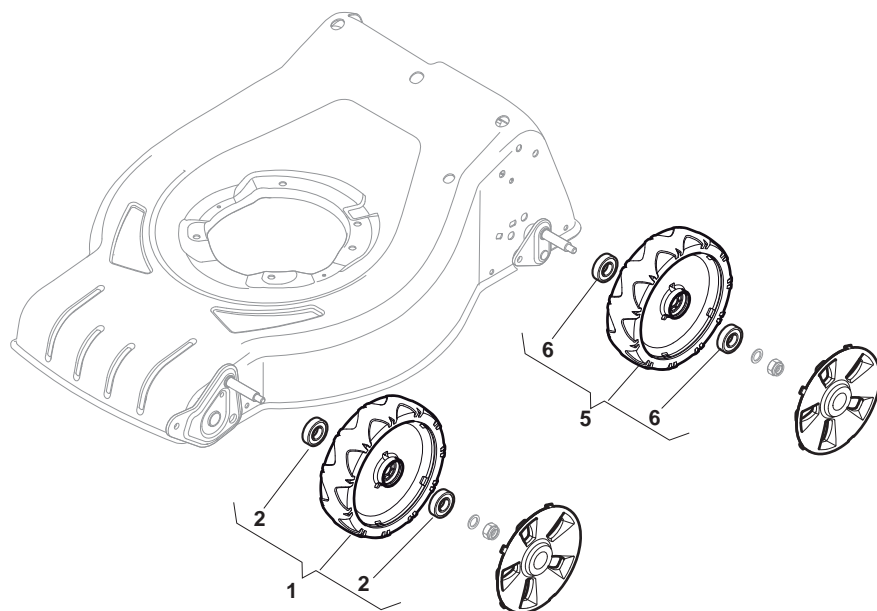
| POS | PART. NO    | Q.ty | DESCRIPTION                | DESCRIZIONE       | DESCRIPTION                  | BESCHREIBUNG       | REMARKS          |
|-----|-------------|------|----------------------------|-------------------|------------------------------|--------------------|------------------|
| 1   | 381006740/0 | 1    | Handle, Upper Part         | Manico, Parte Sup | Mancheron, Partie Superieure | Holm, Oberteil     |                  |
| 2   | 112727783/0 | 1    | Screw                      | Vite              | Vis                          | Schraube           |                  |
| 3   | 181030053/0 | 1    | Cable, Thread Engine Brake | Cavo Freno Motore | Cable Frein Moteur           | Kabel, Motorbremse | GGP150cc         |
| 3   | 181030084/0 | 1    | Cable, Thread Engine Brake | Cavo Freno Motore | Cable Frein Moteur           | Kabel, Motorbremse | GGP-B&S-Honda    |
| 4   | 181005521/0 | 1    | Throttle Cable             | Cavo Acceleratore | Cable, Accelateur            | Gashebel Kabel     | GGP150cc         |
| 4   | 181005522/0 | 1    | Throttle Cable             | Cavo Acceleratore | Cable, Accelateur            | Gashebel Kabel     | B&S Engine       |
| 4   | 181005534/0 | 1    | Throttle Cable             | Cavo Acceleratore | Cable, Accelateur            | Gashebel Kabel     | GGP100cc         |
| 4   | 181005535/0 | 1    | Throttle Cable             | Cavo Acceleratore | Cable, Accelateur            | Gashebel Kabel     | GGP-Honda Engine |
| 4   | 181005536/0 | 1    | Throttle Cable             | Cavo Acceleratore | Cable, Accelateur            | Gashebel Kabel     | B&S E series     |
| 5   | 112154510/0 | 1    | Nut                        | Dado              | Ecrou                        | Mutter             |                  |
| 6   | 181003369/0 | 1    | Lever, Engine Brake        | Leva Freno Motore | Levier Frein Moteur          | Hebel, Motorbremse |                  |
| 7   | 112154510/0 | 1    | Nut                        | Dado              | Ecrou                        | Mutter             |                  |
| 8   | 112521330/0 | 1    | Washer                     | Rosetta           | Rondelle                     | Scheibe            |                  |
| 9   | 122430313/0 | 1    | Guide Spring               | Molla Guida       | Ressort De Guide             | Feder Führer       |                  |



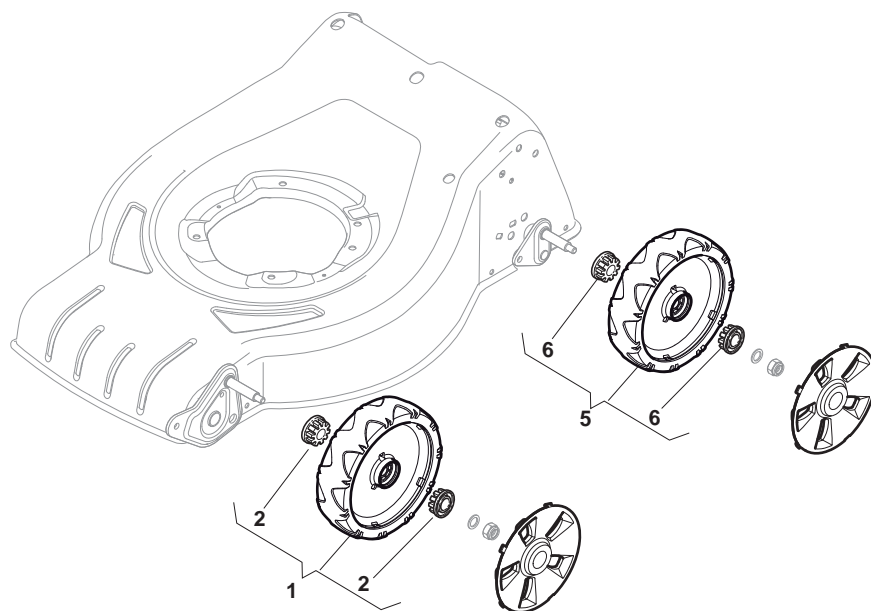
| POS | PART. NO    | Q.ty | DESCRIPTION      | DESCRIZIONE       | DESCRIPTION          | BESCHREIBUNG     | REMARKS |
|-----|-------------|------|------------------|-------------------|----------------------|------------------|---------|
| 1   | 322785123/0 | 1    | Support, Battery | Supporto Batteria | Support Batterie     | Halter, Batterie |         |
| 2   | 112521310/0 | 2    | Washer           | Rosetta           | Rondelle             | Scheibe          |         |
| 3   | 112731590/0 | 2    | Screw            | Vite              | Vis                  | Schraube         |         |
| 4   | 118120052/0 | 1    | Battery          | Batteria          | Batterie             | Batterie         |         |
| 5   | 322109530/0 | 1    | Cover            | Capottina         | Capot                | Haube            |         |
| 6   | 118204192/3 | 1    | Cable, Start     | Cavo Avviamento   | Cable Démarrage      | Kabel, Start     |         |
| 7   | 322722800/0 | 1    | R Protection     | Protezione Dx     | Protection D         | Rechte Schutz    |         |
| 8   | 322722801/0 | 1    | L Protection     | Protezione Sx     | Protection G         | Linke Schutz     |         |
| 9   | 118450050/0 | 1    | Switch           | Interruttore      | Interrupteur         | Schalter         |         |
| 10  | 112728691/0 | 1    | Screw            | Vite              | Vis                  | Schraube         |         |
| 11  | 112728702/0 | 2    | Screw            | Vite              | Vis                  | Schraube         |         |
| 12  | 118204120/0 | 1    | Battery Charger  | Carica Batteria   | Chargeur De Batterie | Ladgerät         | UE Plug |
| 12  | 118204121/0 | 1    | Battery Charger  | Carica Batteria   | Chargeur De Batterie | Ladgerät         | UK Plug |



| POS | PART. NO    | Q.ty | DESCRIPTION       | DESCRIZIONE         | DESCRIPTION        | BESCHREIBUNG  | REMARKS |
|-----|-------------|------|-------------------|---------------------|--------------------|---------------|---------|
| 1   | 381124000/0 | 1    | Dash Board Red    | Cruscotto Rosso     | Console Rouge      | Konsole Rote  | Red     |
| 1   | 381124001/0 | 1    | Dash Board Yellow | Cruscotto Giallo    | Console Jaune      | Konsole Gelbe | Yellow  |
| 2   | 322546055/0 | 1    | Plate             | Piastrina           | Plaque             | Plättchen     | Red     |
| 2   | 322546057/0 | 1    | Plate             | Piastrina           | Plaque             | Plättchen     | Yellow  |
| 3   | 322546054/0 | 1    | Plate             | Piastrina           | Plaque             | Plättchen     | Red     |
| 3   | 322546056/0 | 1    | Plate             | Piastrina           | Plaque             | Plättchen     | Yellow  |
| 4   | 322120191/0 | 1    | Dash Board Cover  | Copertura Cruscotto | Console Couverture | Konsole Haube |         |

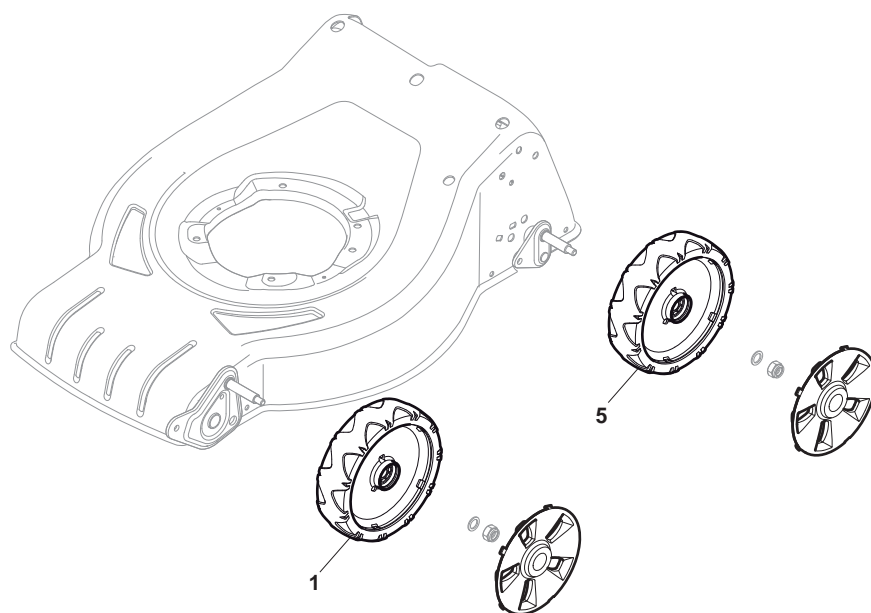


| POS | PART. NO    | Q.ty | DESCRIPTION | DESCRIZIONE | DESCRIPTION | BESCHREIBUNG | REMARKS |
|-----|-------------|------|-------------|-------------|-------------|--------------|---------|
| 1   | 381007450/1 | 2    | Wheel Ø 180 | Ruota Ø 180 | Roue Ø 180  | Rad Ø 180    |         |
| 2   | 119216035/0 | 4    | Bearing     | Cuscinetto  | Coussinet   | Lager        |         |
| 5   | 381007450/1 | 2    | Wheel Ø 180 | Ruota Ø 180 | Roue Ø 180  | Rad Ø 180    |         |
| 6   | 119216035/0 | 4    | Bearing     | Cuscinetto  | Coussinet   | Lager        |         |

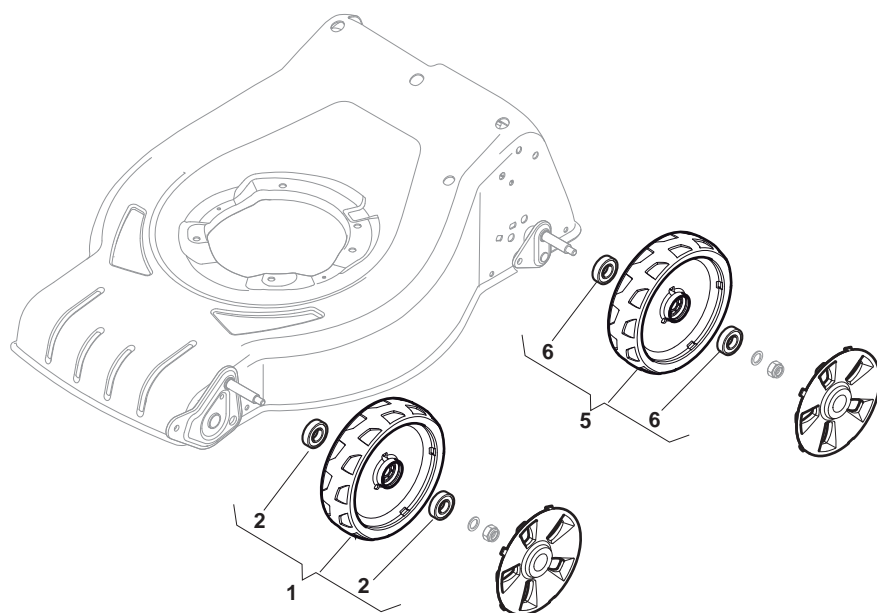




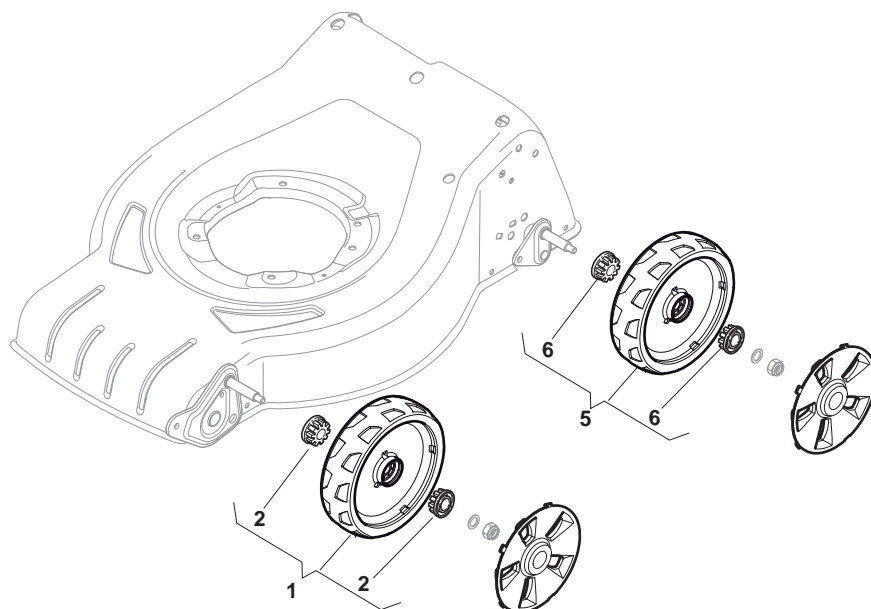
| POS | PART. NO    | Q.ty | DESCRIPTION | DESCRIZIONE | DESCRIPTION | BESCHREIBUNG | REMARKS |
|-----|-------------|------|-------------|-------------|-------------|--------------|---------|
| 1   | 381007444/1 | 2    | Wheel Ø 180 | Ruota Ø 180 | Roue Ø 180  | Rad Ø 180    |         |
| 2   | 322042064/0 | 4    | Bush        | Bussola     | Douille     | Büchse       |         |
| 5   | 381007444/1 | 2    | Wheel Ø 180 | Ruota Ø 180 | Roue Ø 180  | Rad Ø 180    |         |
| 6   | 322042064/0 | 4    | Bush        | Bussola     | Douille     | Büchse       |         |



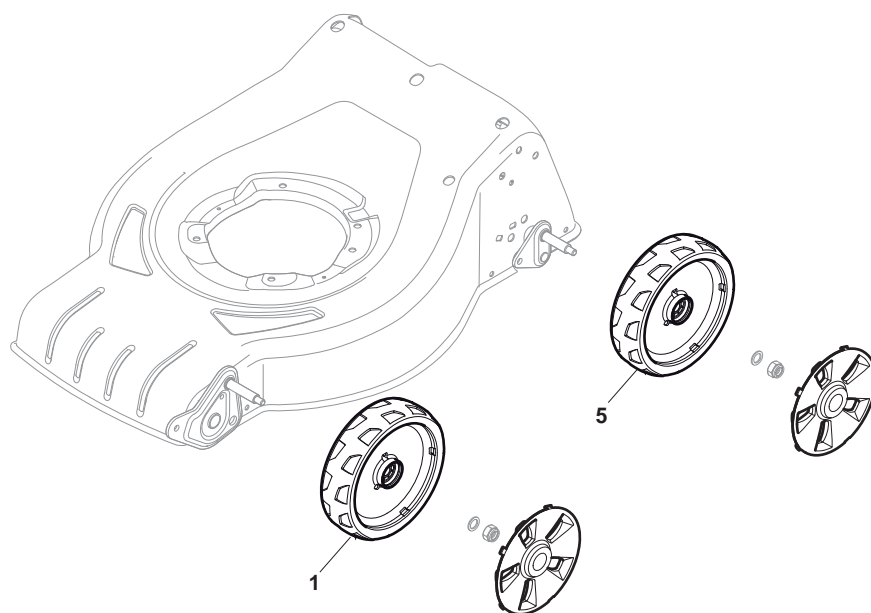
| POS | PART. NO    | Q.ty | DESCRIPTION | DESCRIZIONE | DESCRIPTION | BESCHREIBUNG | REMARKS |
|-----|-------------|------|-------------|-------------|-------------|--------------|---------|
| 1   | 381007440/1 | 2    | Wheel Ø 180 | Ruota Ø 180 | Roue Ø 180  | Rad Ø 180    |         |
| 5   | 381007440/1 | 2    | Wheel Ø 180 | Ruota Ø 180 | Roue Ø 180  | Rad Ø 180    |         |



| POS | PART. NO    | Q.ty | DESCRIPTION | DESCRIZIONE | DESCRIPTION | BESCHREIBUNG | REMARKS |
|-----|-------------|------|-------------|-------------|-------------|--------------|---------|
| 1   | 381007448/1 | 2    | Wheel Ø 180 | Ruota Ø 180 | Roue Ø 180  | Rad Ø 180    |         |
| 2   | 119216035/0 | 4    | Bearing     | Cuscinetto  | Coussinet   | Lager        |         |
| 5   | 381007448/1 | 2    | Wheel Ø 180 | Ruota Ø 180 | Roue Ø 180  | Rad Ø 180    |         |
| 6   | 119216035/0 | 4    | Bearing     | Cuscinetto  | Coussinet   | Lager        |         |

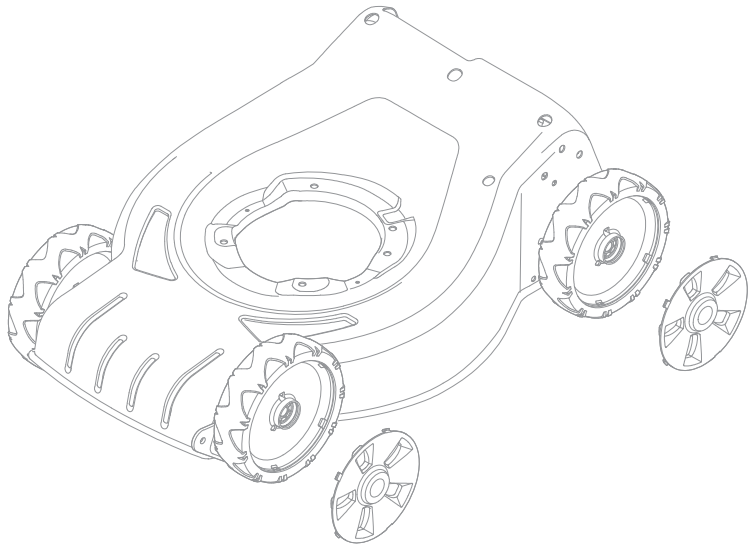


| POS | PART. NO    | Q.ty | DESCRIPTION | DESCRIZIONE | DESCRIPTION | BESCHREIBUNG | REMARKS |
|-----|-------------|------|-------------|-------------|-------------|--------------|---------|
| 1   | 381007442/1 | 2    | Wheel Ø 180 | Ruota Ø 180 | Roue Ø 180  | Rad Ø 180    |         |
| 2   | 322042064/0 | 4    | Bush        | Bussola     | Douille     | Büchse       |         |
| 5   | 381007442/1 | 2    | Wheel Ø 180 | Ruota Ø 180 | Roue Ø 180  | Rad Ø 180    |         |
| 6   | 322042064/0 | 4    | Bush        | Bussola     | Douille     | Büchse       |         |





| POS | PART. NO    | Q.ty | DESCRIPTION | DESCRIZIONE | DESCRIPTION | BESCHREIBUNG | REMARKS |
|-----|-------------|------|-------------|-------------|-------------|--------------|---------|
| 1   | 381007438/1 | 2    | Wheel Ø 180 | Ruota Ø 180 | Roue Ø 180  | Rad Ø 180    |         |
| 5   | 381007438/1 | 2    | Wheel Ø 180 | Ruota Ø 180 | Roue Ø 180  | Rad Ø 180    |         |



**1**



**2**



**3**



**4**



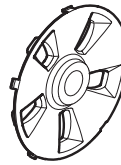
**5**



**6**



**7**

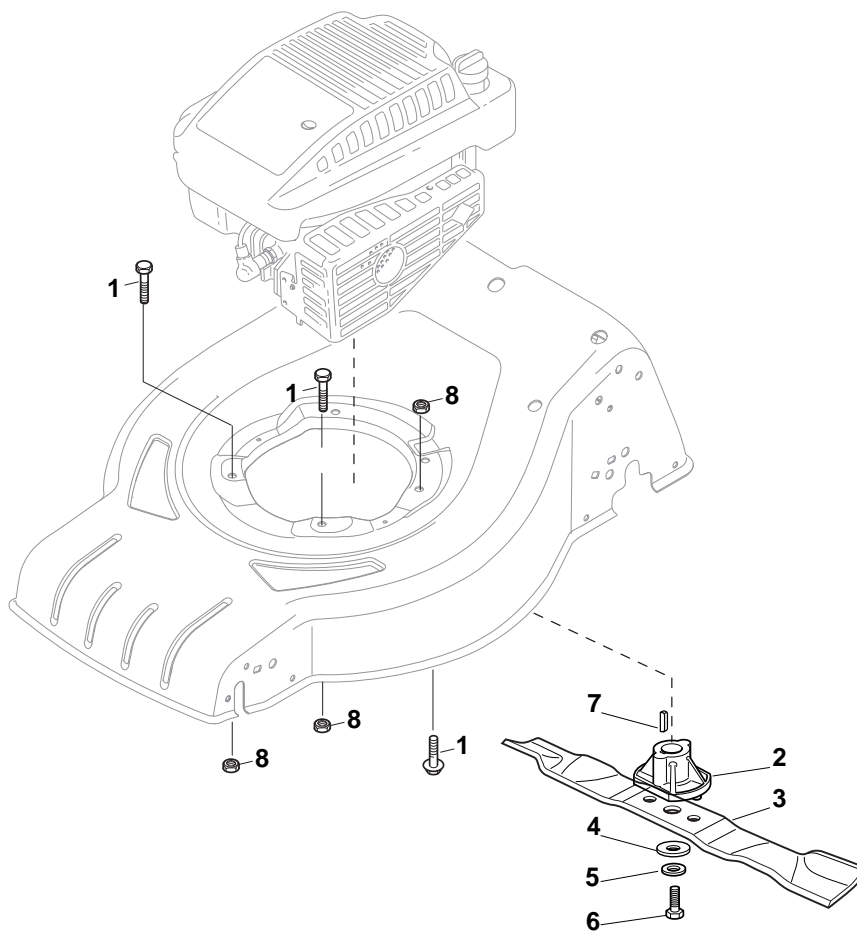


**8**

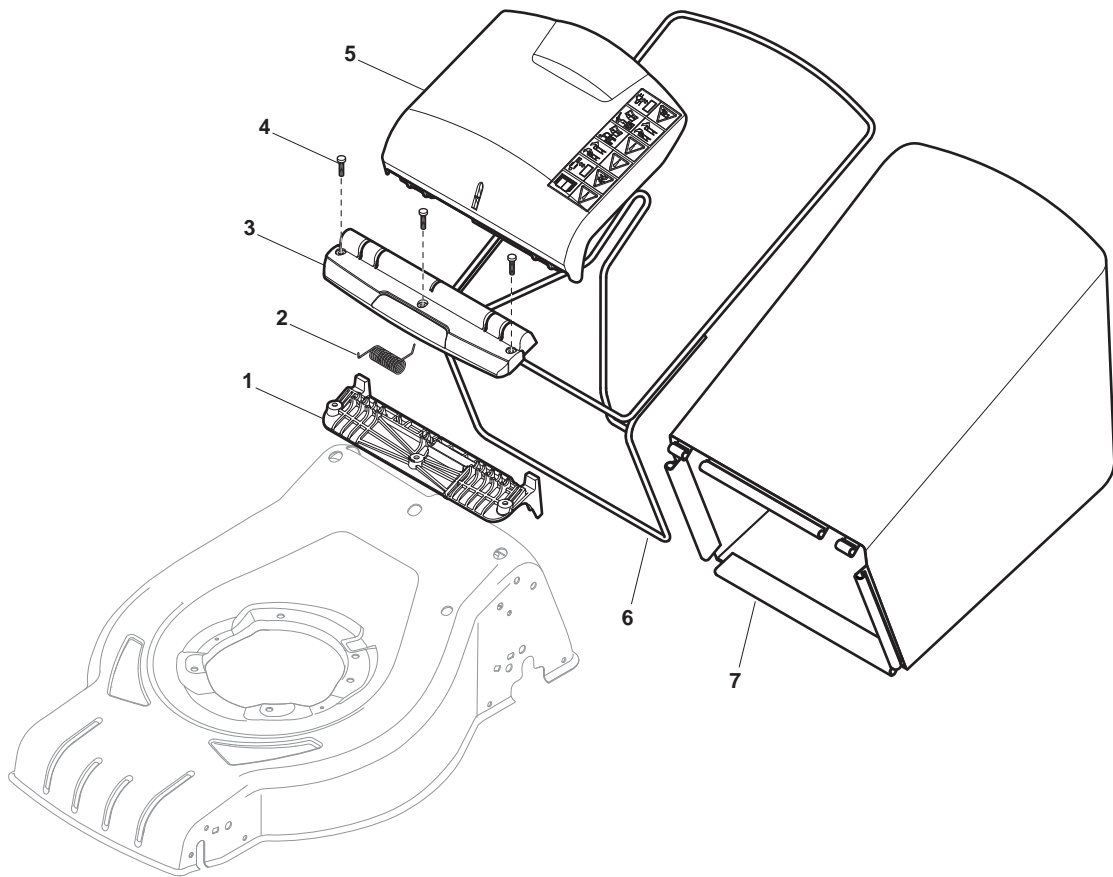


**9**

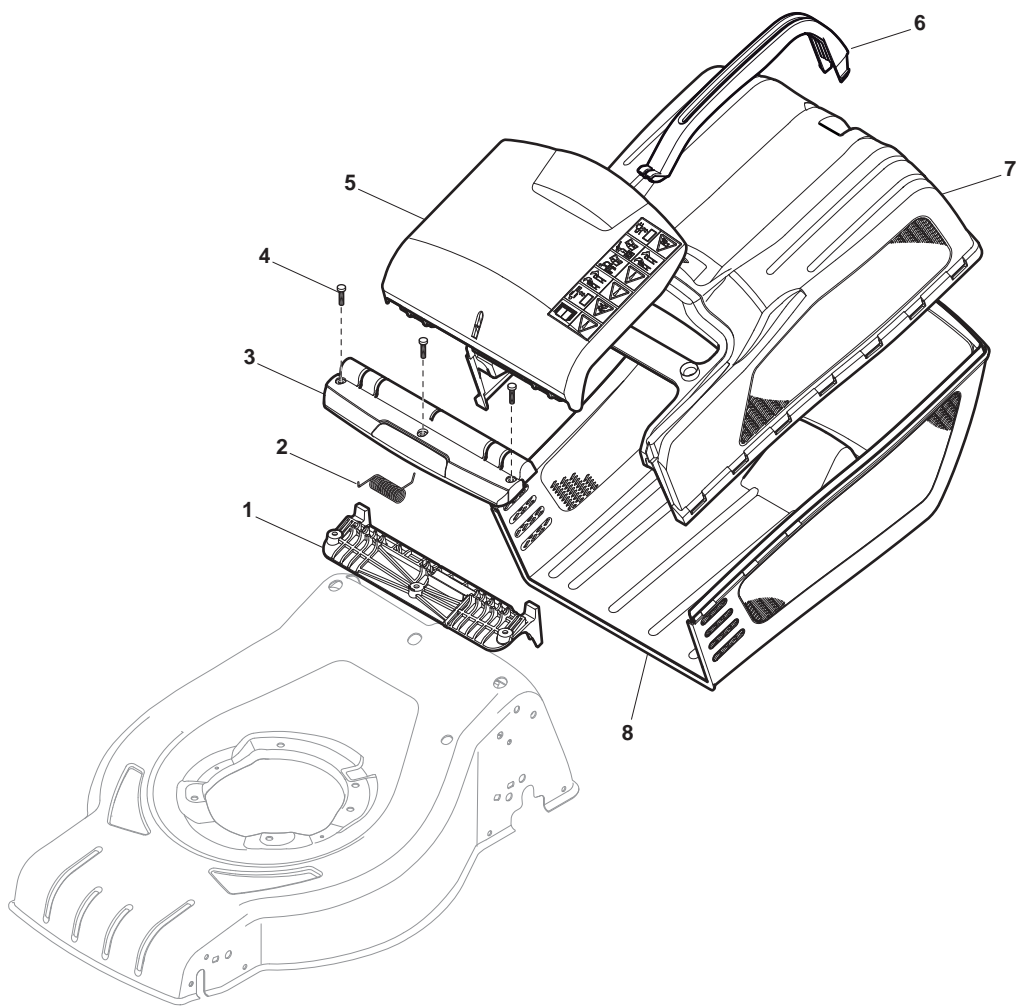
| POS | PART. NO    | Q.ty | DESCRIPTION    | DESCRIZIONE       | DESCRIPTION        | BESCHREIBUNG  | REMARKS |
|-----|-------------|------|----------------|-------------------|--------------------|---------------|---------|
| 1   | 322110344/0 | 4    | Hub Cap White  | Coprimento Bianco | Couvre-Moyeu Blanc | Radkappe Weiß |         |
| 1   | 322110394/0 | 4    | Hub Cap Yellow | Coprimento Giallo | Couvre-Moyeu Jaune | Radkappe Gelb |         |
| 1   | 322110395/0 | 4    | Hub Cap Grey   | Coprimento Grigio | Couvre-Moyeu Gris  | Radkappe Grau |         |
| 2   | 322110347/0 | 4    | Hub Cap Grey   | Coprimento Grigio | Couvre-Moyeu Gris  | Radkappe Grau |         |
| 3   | 322110381/0 | 4    | Hub Cap Grey   | Coprimento Grigio | Couvre-Moyeu Gris  | Radkappe Grau |         |
| 4   | 322110416/0 | 4    | Hub Cap Grey   | Coprimento Grigio | Couvre-Moyeu Gris  | Radkappe Grau |         |
| 4   | 322110613/0 | 4    | Hub Cap Red    | Coprimento Rosso  | Couvre-Moyeu Rouge | Radkappe Rot  |         |
| 5   | 322110651/0 | 4    | Hub Cap Yellow | Coprimento Giallo | Couvre-Moyeu Jaune | Radkappe Gelb |         |
| 5   | 322110491/0 | 4    | Hub Cap Grey   | Coprimento Grigio | Couvre-Moyeu Gris  | Radkappe Grau |         |
| 6   | 322110593/0 | 4    | Hub Cap Yellow | Coprimento Giallo | Couvre-Moyeu Jaune | Radkappe Gelb |         |
| 6   | 322110493/0 | 4    | Hub Cap Grey   | Coprimento Grigio | Couvre-Moyeu Gris  | Radkappe Grau |         |
| 7   | 322110495/0 | 4    | Hub Cap Grey   | Coprimento Grigio | Couvre-Moyeu Gris  | Radkappe Grau |         |
| 8   | 322110636/0 | 4    | Hub Cap Grey   | Coprimento Grigio | Couvre-Moyeu Gris  | Radkappe Grau |         |
| 9   | 322110638/0 | 4    | Hub Cap Grey   | Coprimento Grigio | Couvre-Moyeu Gris  | Radkappe Grau |         |
| 9   | 322110647/0 | 4    | Hub Cap Yellow | Coprimento Giallo | Couvre-Moyeu Jaune | Radkappe Gelb |         |



| POS | PART. NO    | Q.ty | DESCRIPTION                | DESCRIZIONE                     | DESCRIPTION                   | BESCHREIBUNG            | REMARKS    |
|-----|-------------|------|----------------------------|---------------------------------|-------------------------------|-------------------------|------------|
| 1   | 112691100/0 | 2    | Screw                      | Vite                            | Vis                           | Schraube                | B&S Engine |
| 1   | 112691800/0 | 1    | Screw                      | Vite                            | Vis                           | Schraube                | B&S Engine |
| 1   | 112793701/0 | 3    | Screw                      | Vite                            | Vis                           | Schraube                | B&S 450    |
| 2   | 122463012/2 | 1    | Hub, Crankshaft Ø 22.2     | Mozzo, Albero Motore Ø 22.2     | Moyeu, Arbre Moteur Ø 22.2    | Nabe, Motorwelle Ø 22.2 | GGP-B&S    |
| 2   | 122463020/1 | 1    | Hub, Crankshaft Ø 25       | Mozzo, Albero Motore Ø 25       | Moyeu, Arbre Moteur Ø 25      | Nabe, Motorwelle Ø 25   | Honda      |
| 3   | 181004346/3 | 1    | Blade Standard             | Coltello Standard               | Lame Standard                 | Messer Standard         |            |
| 4   | 122160400/0 | 1    | Elastic Washer             | Disco Elastico                  | Disque Elastique              | Federscheibe            |            |
| 5   | 112523080/0 | 1    | Washer                     | Rosetta                         | Rondelle                      | Scheibe                 |            |
| 6   | 112735698/0 | 1    | Screw                      | Vite                            | Vis                           | Schraube                |            |
| 7   | 112139100/0 | 1    | Feather, Crankshaft Ø 22.2 | Linguetta, Albero Motore Ø 22.2 | Clavette, Arbre Moteur Ø 22.2 | Keil, Motorwelle Ø 22.2 | GGP-B&S    |
| 7   | 112139150/0 | 1    | Feather, Crankshaft Ø 25   | Linguetta, Albero Motore Ø 25   | Clavette, Arbre Moteur Ø 25   | Keil, Motorwelle Ø 25   | Honda      |
| 8   | 112154210/0 | 3    | Screw                      | Vite                            | Vis                           | Schraube                |            |

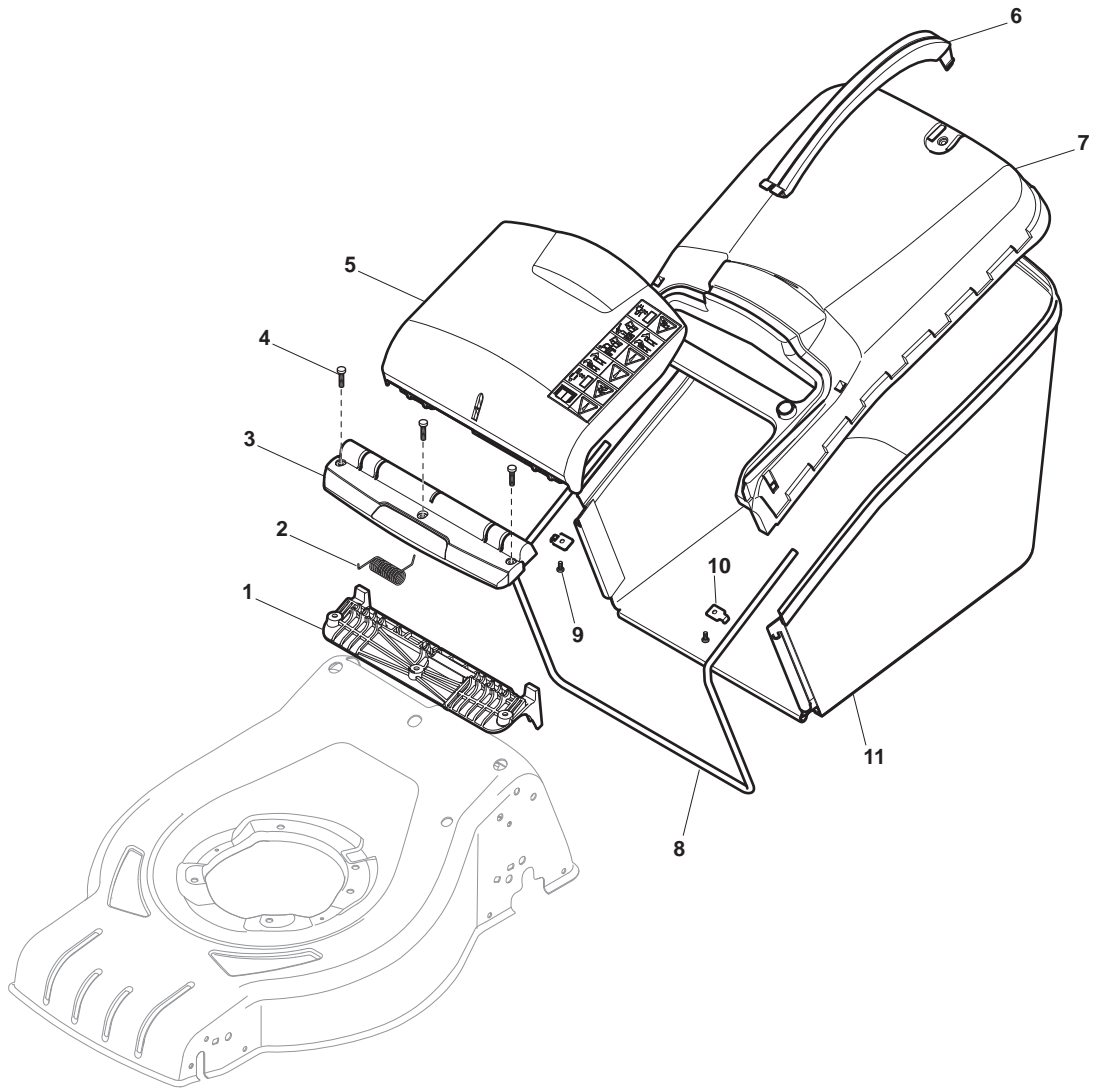


| POS | PART. NO    | Q.ty | DESCRIPTION        | DESCRIZIONE      | DESCRIPTION         | BESCHREIBUNG        | REMARKS |
|-----|-------------|------|--------------------|------------------|---------------------|---------------------|---------|
| 1   | 322785331/0 | 1    | Support            | Supporto         | Support             | Halter              |         |
| 2   | 122450464/0 | 1    | Spring             | Molla            | Ressort             | Feder               |         |
| 3   | 322109554/0 | 1    | Cover, Black       | Copertura Nero   | Couvre, Noir        | Kappe, Schwarz      | Black   |
| 3   | 322109556/0 | 1    | Cover, Yellow      | Capottina Gialla | Capot Jaune         | Haube Gelb          | Yellow  |
| 3   | 322109557/0 | 1    | Cover, Grey        | Capottina Grigio | Capot Gris          | Haube Grau          | Grey    |
| 4   | 112728699/0 | 3    | Screw              | Vite             | Vis                 | Schraube            |         |
| 5   | 322600206/1 | 1    | Stone-Guard Black  | Parasassi Nero   | Pare-Pierres, Noir  | Prallblech, Schwarz | Black   |
| 5   | 322600214/1 | 1    | Stone-Guard Yellow | Parasassi Giallo | Pare-Pierres, Jaune | Prallblech, Gelb    | Yellow  |
| 5   | 322600216/1 | 1    | Stone-Guard Grey   | Parasassi Grigio | Pare-Pierres, Gris  | Prallblech, Grau    | Grey    |
| 6   | 181006409/0 | 1    | Chassis Box        | Telaio Sacco     | Châssis Bac         | Rahmen Sack         |         |
| 7   | 181002319/0 | 1    | Box, Fabric        | Sacco, Tela      | Sac, Toile          | Sack, Tuck          |         |

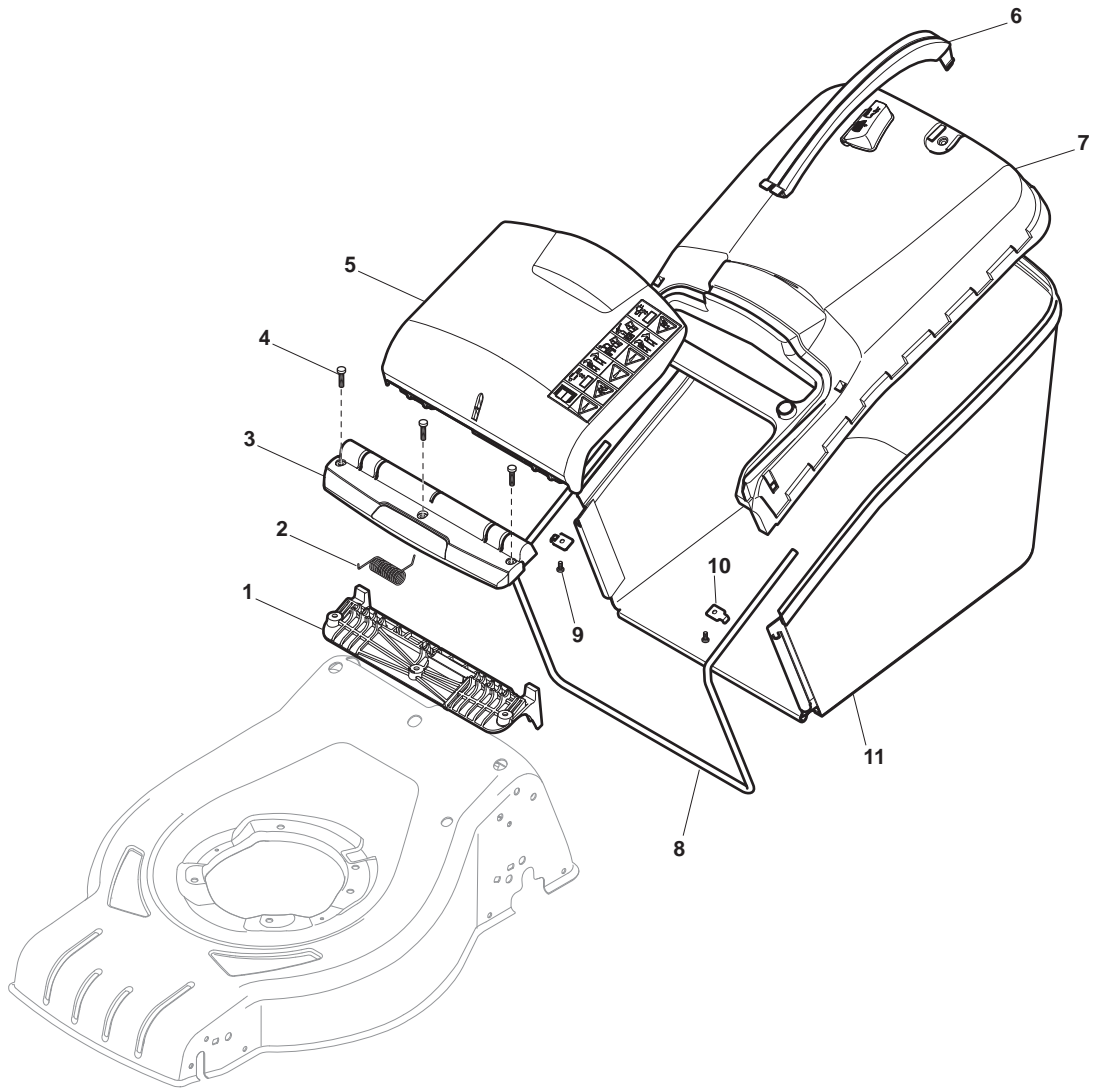




| POS | PART. NO    | Q.ty | DESCRIPTION           | DESCRIZIONE            | DESCRIPTION            | BESCHREIBUNG        | REMARKS |
|-----|-------------|------|-----------------------|------------------------|------------------------|---------------------|---------|
| 1   | 322785331/0 | 1    | Support               | Supporto               | Support                | Halter              |         |
| 2   | 122450464/0 | 1    | Spring                | Molla                  | Ressort                | Feder               |         |
| 3   | 322109554/0 | 1    | Cover, Black          | Copertura, Nero        | Couvre, Noir           | Kappe, Schwarz      | Black   |
| 3   | 322109556/0 | 1    | Cover, Yellow         | Capottina Gialla       | Capot Jaune            | Haube Gelb          | Yellow  |
| 3   | 322109557/0 | 1    | Cover, Grey           | Capottina Grigio       | Capot Jaune            | Haube Gelb          | Grey    |
| 4   | 112728699/0 | 3    | Screw                 | Vite                   | Vis                    | Schraube            |         |
| 5   | 322600206/1 | 1    | Stone-Guard Black     | Parasassi Nero         | Pare-Pierres, Noir     | Prallblech, Schwarz | Black   |
| 5   | 322600214/1 | 1    | Stone-Guard Yellow    | Parasassi Giallo       | Pare-Pierres, Jaune    | Prallblech, Gelb    | Yellow  |
| 5   | 322600216/1 | 1    | Stone-Guard Grey      | Parasassi Grigio       | Pare-Pierres, Gris     | Prallblech, Grau    | Grey    |
| 6   | 322393643/0 | 1    | Handle, Black         | Maniglia Nera          | Poignée Noir           | Griff Schwarz       | Black   |
| 6   | 322393645/0 | 1    | Handle, Grey          | Maniglia Grigio        | Poignée Gris           | Griff, Grau         | Grey    |
| 7   | 322486263/0 | 1    | Grass-Box, Upper Part | Sacco, Parte Superiore | Sac, Partie Superieure | Korb, Oberteil      | Grey    |
| 7   | 322486260/0 | 1    | Grass-Box, Upper Part | Sacco, Parte Superiore | Sac, Partie Superieure | Korb, Oberteil      | Black   |
| 8   | 322486267/0 | 1    | Grass-Box, Upper Part | Sacco, Parte Superiore | Sac, Partie Superieure | Korb, Oberteil      | Grey    |
| 8   | 322486261/0 | 1    | Grass-Box, Upper Part | Sacco, Parte Superiore | Sac, Partie Superieure | Korb, Oberteil      | Black   |



| POS | PART. NO    | Q.ty | DESCRIPTION           | DESCRIZIONE            | DESCRIPTION            | BESCHREIBUNG        | REMARKS |
|-----|-------------|------|-----------------------|------------------------|------------------------|---------------------|---------|
| 1   | 322785331/0 | 1    | Support               | Supporto               | Support                | Halter              |         |
| 2   | 122450464/0 | 1    | Spring                | Molla                  | Ressort                | Feder               |         |
| 3   | 322109554/0 | 1    | Cover, Black          | Copertura, Nero        | Couvre, Noir           | Kappe, Schwarz      | Black   |
| 3   | 322109556/0 | 1    | Cover, Yellow         | Capottina Gialla       | Capot Jaune            | Haube Gelb          | Yellow  |
| 3   | 322109557/0 | 1    | Cover, Grey           | Capottina Grigio       | Capot Gris             | Haube Gelb          | Grey    |
| 4   | 112728699/0 | 3    | Screw                 | Vite                   | Vis                    | Schraube            |         |
| 5   | 322600206/1 | 1    | Stone-Guard Black     | Parasassi Nero         | Pare-Pierres, Noir     | Prallblech, Schwarz | Black   |
| 5   | 322600214/1 | 1    | Stone-Guard Yellow    | Parasassi Giallo       | Pare-Pierres, Jaune    | Prallblech, Gelb    | Yellow  |
| 5   | 322600216/1 | 1    | Stone-Guard Grey      | Parasassi Grigio       | Pare-Pierres, Gris     | Prallblech, Grau    | Grey    |
| 6   | 322393646/0 | 1    | Handle, Yellow        | Maniglia, Gialla       | Poignée, Jaune         | Griff, Gelb         | Yellow  |
| 6   | 322393649/0 | 1    | Handle, Grey          | Maniglia Grigio        | Poignée Gris           | Griff, Grau         | Grey    |
| 6   | 322393644/0 | 1    | Handle, Black         | Maniglia Nera          | Poignée Noir           | Griff Schwarz       | Black   |
| 7   | 322486264/0 | 1    | Grass-Box, Upper Part | Sacco, Parte Superiore | Sac, Partie Superieure | Korb, Oberteil      | Yellow  |
| 7   | 322486270/0 | 1    | Grass-Box, Upper Part | Sacco, Parte Superiore | Sac, Partie Superieure | Korb, Oberteil      | Grey    |
| 7   | 322486262/0 | 1    | Grass-Box, Upper Part | Sacco, Parte Superiore | Sac, Partie Superieure | Korb, Oberteil      | Black   |
| 8   | 122608561/0 | 1    | Stiffening Lower      | Rinforzo Inf           | Réinforcement Inf      | Verstärkung Untere  |         |
| 9   | 112728692/0 | 2    | Screw                 | Vite                   | Vis                    | Schraube            |         |
| 10  | 322545159/0 | 2    | Plate                 | Piastrina              | Plaquette              | Plättchen           |         |
| 11  | 181002318/0 | 1    | Box, Fabric           | Sacco, Tela            | Sac, Toile             | Sack, Tuck          |         |



| POS | PART. NO     | Q.ty | DESCRIPTION           | DESCRIZIONE            | DESCRIPTION            | BESCHREIBUNG       | REMARKS |
|-----|--------------|------|-----------------------|------------------------|------------------------|--------------------|---------|
| 1   | 322785331/0  | 1    | Support               | Supporto               | Support                | Halter             |         |
| 2   | 122450464/0  | 1    | Spring                | Molla                  | Ressort                | Feder              |         |
| 3   | 322109554/0  | 1    | Cover, Black          | Copertura, Nero        | Couvre, Noir           | Kappe, Schwarz     | Black   |
| 3   | 322109556/0  | 1    | Cover, Yellow         | Capottina Gialla       | Capot Jaune            | Haube Gelb         | Yellow  |
| 4   | 112728699/0  | 3    | Screw                 | Vite                   | Vis                    | Schraube           |         |
| 5   | 322600206/1  | 1    | Stone-Guard Black     | Parasassi Nero         | Pare-Pierres           | Prallblech         | Black   |
| 5   | 322600214/1  | 1    | Stone-Guard Yellow    | Parasassi Giallo       | Pare-Pierres, Jaune    | Prallblech, Gelb   | Yellow  |
| 6   | 322393644/0  | 1    | Handle, Black         | Maniglia, Nero         | Poignee, Noir          | Griff, Schwarz     | Black   |
| 6   | 322393646/0  | 1    | Handle, Yellow        | Maniglia, Gialla       | Poignee, Jaune         | Griff, Gelb        | Yellow  |
| 7   | 381486016/0A | 1    | Grass-Box, Upper Part | Sacco, Parte Superiore | Sac, Partie Superieure | Korb, Oberteil     | Yellow  |
| 7   | 381486018/0  | 1    | Grass-Box, Upper Part | Sacco, Parte Superiore | Sac, Partie Superieure | Korb, Oberteil     | Black   |
| 8   | 122608561/0  | 1    | Stiffening Lower      | Rinforzo Inf           | Réinforcement Inf      | Verstärkung Untere |         |
| 9   | 112728692/0  | 2    | Screw                 | Vite                   | Vis                    | Schraube           |         |
| 10  | 322545159/0  | 2    | Plate                 | Piastrina              | Plaquette              | Plättchen          |         |
| 11  | 181002318/0  | 1    | Box, Fabric           | Sacco, Tela            | Sac, Toile             | Sack, Tuck         |         |