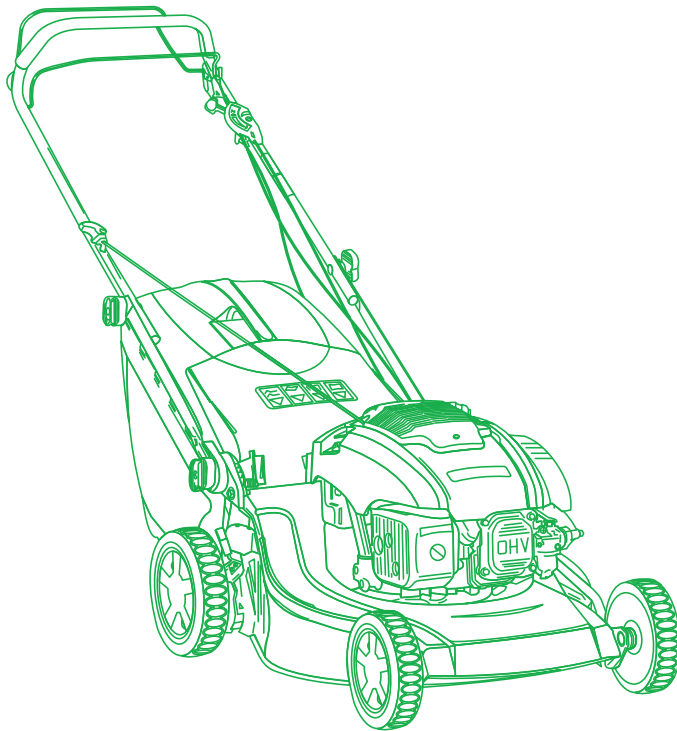


ILLUSTRATED PARTS LIST

TU 504 TR TU 504 TR-E



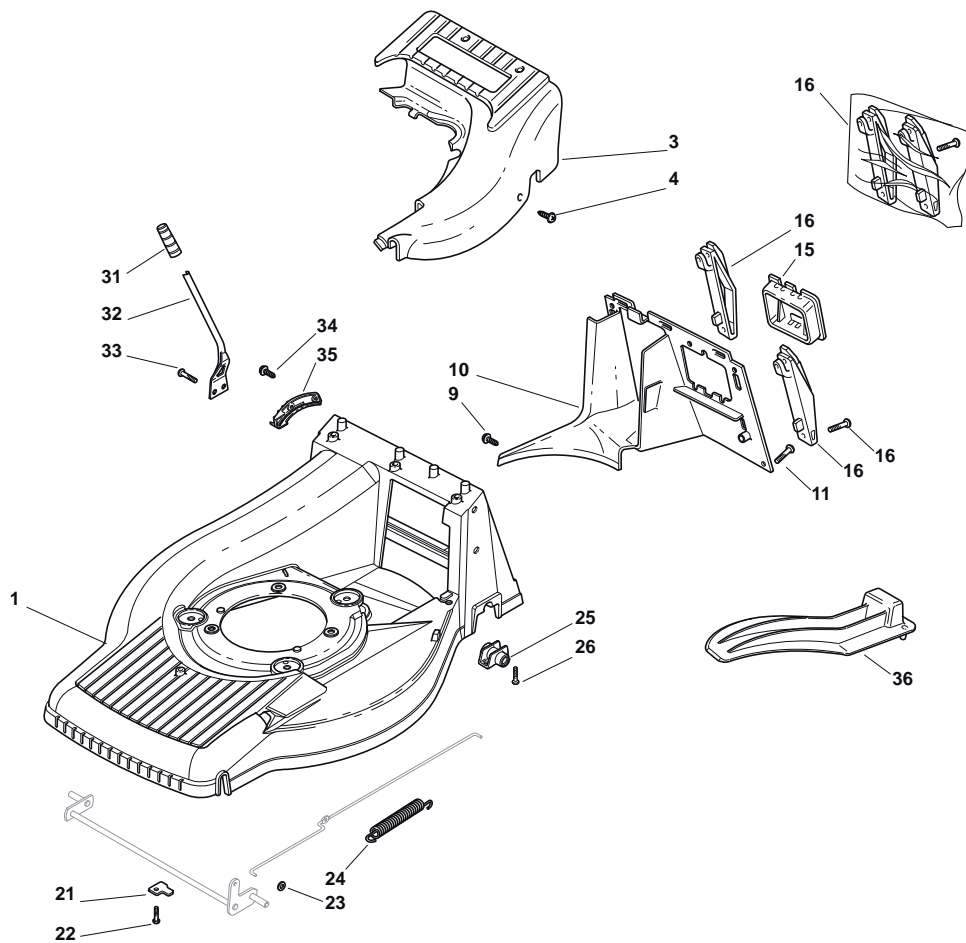
- Use GLOBAL GARDEN PRODUCT Genuine Spare Parts specified in the parts list for repair and/or replacement.
- The contents described in the parts list may change due to improvement.
- The drawings of the spare parts are only indicative and might not represent the part in question exactly.
- The indications "right" - "left" - "front" - "rear" refer to the position of the operator when using the machine.
- When placing orders of parts for repair and/or replacement, make sure that the illustrated parts list is the one applying to the machine's year of manufacture, as shown on the identification plate attached to the machine.

© Copyright 2012 Global Garden Products

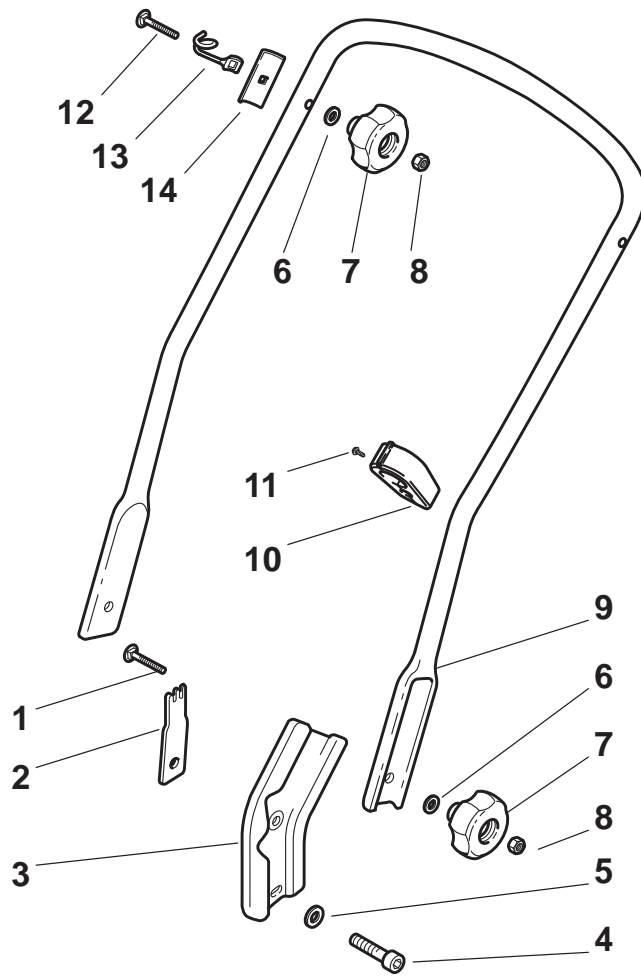
All content is subject to copyright by Global Garden Products and may not be reproduced in whole or in part by any means, electronic or otherwise, without prior written approval.

THIS INFORMATION IS NOT INTENDED FOR SALE OR RESALE, AND THIS NOTICE MUST REMAIN ON ALL COPIES.

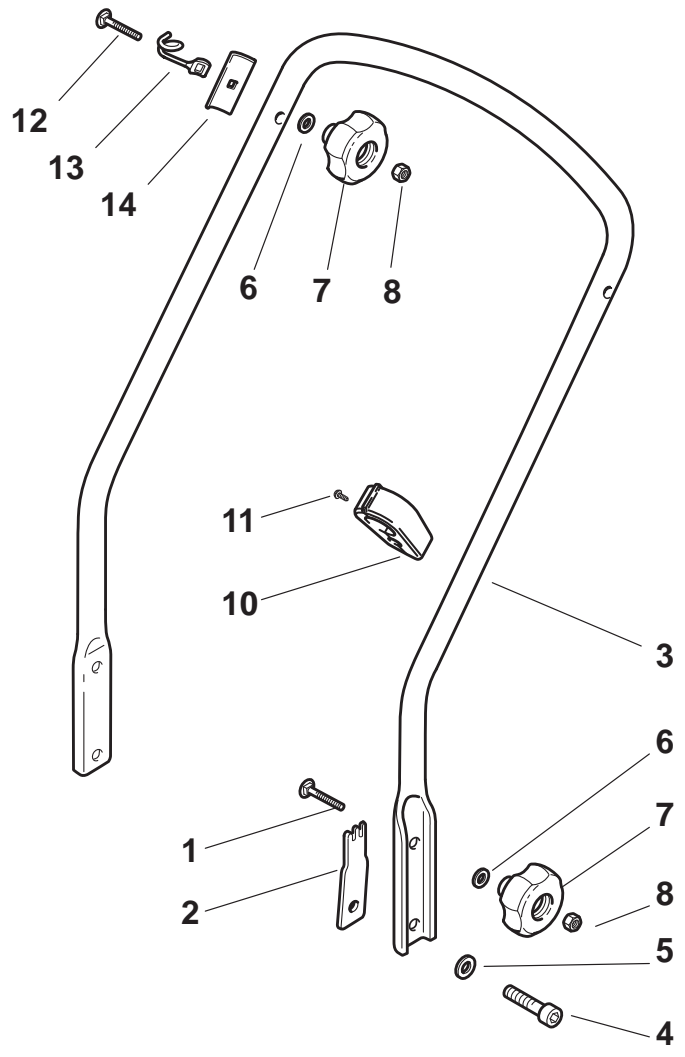

GLOBAL GARDEN PRODUCTS



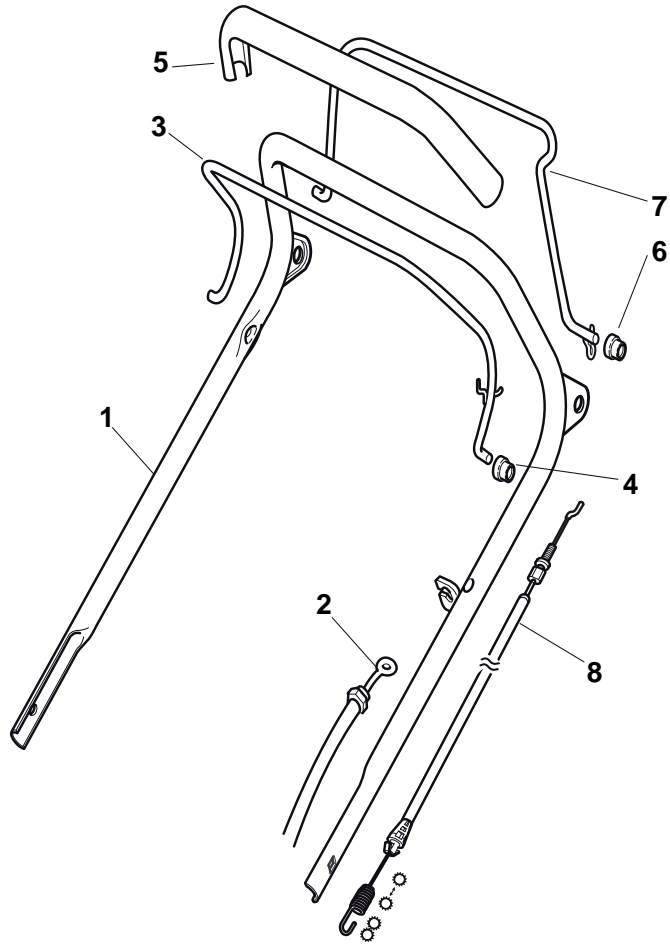
| POS | PART. NO | Q.ty | DESCRIPTION | DESCRIZIONE | DESCRIPTION | BESCHREIBUNG | REMARKS |
|-----|------------|------|---------------------------|--------------------------|------------------------|-------------------------|---------|
| 1 | 81002657/0 | 1 | Deck Yellow | Chassis Giallo | Châssis Jaune | Gehäuse Gelb | |
| 1 | 81002669/0 | 1 | Deck Red | Chassis Rosso | Châssis Rouge | Gehäuse Rod | |
| 3 | 22060152/0 | 1 | Protection, Yellow | Carter, Giallo | Protection, Jaune | Schutz, Gelb | |
| 3 | 22060153/1 | 1 | Protection, Red | Carter, Rosso | Protection, Red | Schutz, Rod | |
| 4 | 12728300/0 | 3 | Screw | Vite | Vis | Schraube | |
| 9 | 12728300/0 | 1 | Screw | Vite | Vis | Schraube | |
| 10 | 22108277/0 | 1 | Rear Conveyor Assy | Convogl. Posteriore | Ens. Convoyeur Post. | Hinterleitblechsatz | |
| 11 | 12735664/0 | 3 | Screw | Vite | Vis | Schraube | |
| 15 | 22109531/0 | 1 | Cover | Coperchio | Couvercle | Deckel | |
| 16 | 81008658/1 | 1 | Outfit, Supports | Dotazione Supporti | Dotation Support | Satz, Halter | |
| 21 | 22545160/0 | 2 | Plate | Piastrina | Plaquette | Plättchen | |
| 22 | 12735664/0 | 2 | Screw | Vite | Vis | Schraube | |
| 23 | 12604898/0 | 2 | Crown Fastener | Fissatore A Corona | Fixateur A Couronne | Kronescheibe | |
| 24 | 22446181/0 | 1 | Spring | Molla | Ressort | Feder | |
| 26 | 12735664/0 | 4 | Screw | Vite | Vis | Schraube | |
| 25 | 22785153/0 | 2 | Support, Gear Box | Supporto Gruppo Trazione | Support Gr. Traction | Halter, Antrieb | |
| 31 | 22399808/0 | 1 | Knob | Manopolina | Poignée | Griff | |
| 32 | 22321515/0 | 1 | Lever, Height Adjustment | Leva Regolazione Altezza | Levier Reglage Hauteur | Hebel, Höneverstellung | |
| 33 | 12735661/0 | 2 | Screw | Vite | Vis | Schraube | |
| 34 | 12728300/0 | 2 | Screw | Vite | Vis | Schraube | |
| 35 | 22735563/0 | 1 | Sector, Height Adjustment | Settore Di Regolazione | Secteur Reglage | Sektor, Höneverstellung | |
| 36 | 22140231/0 | 1 | Deflector | Deflettore | Deflecteur | Deflektor | |



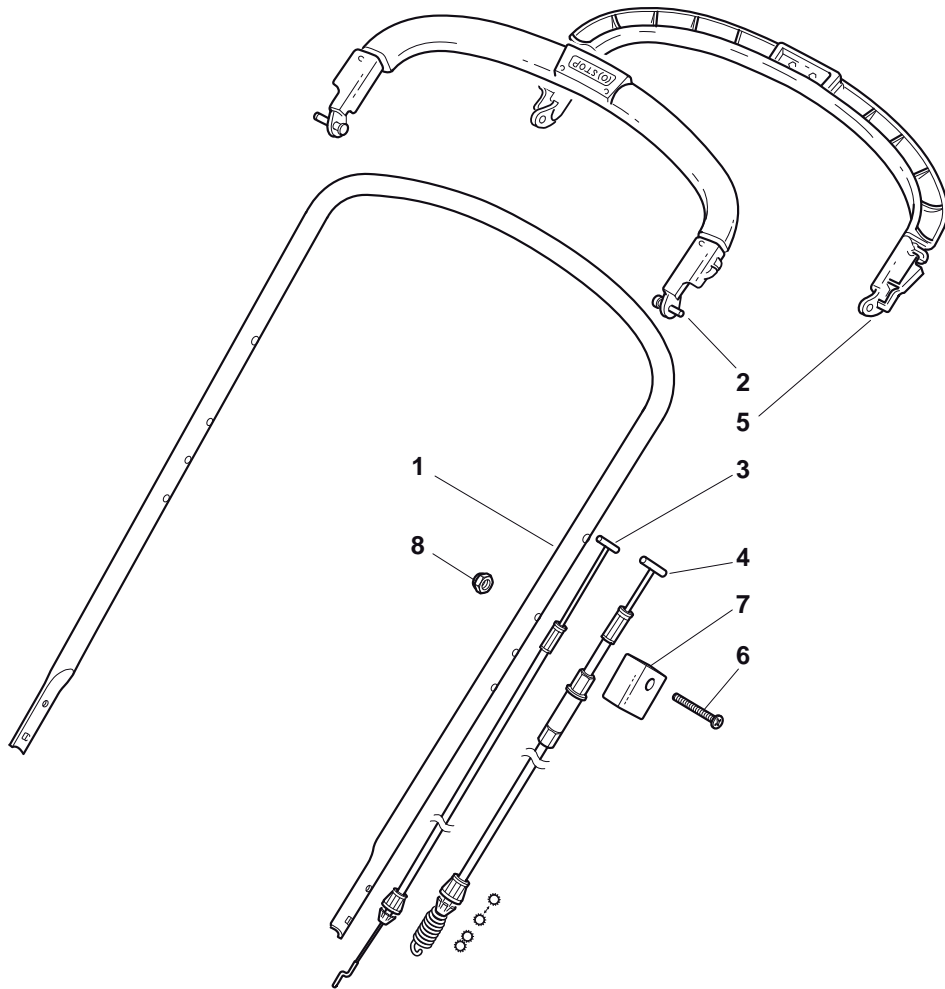
| POS | PART. NO | Q.ty | DESCRIPTION | DESCRIZIONE | DESCRIPTION | BESCHREIBUNG | REMARKS |
|-----|------------|------|----------------------------|----------------------------|------------------------------|------------------------|---------|
| 1 | 12820655/0 | 2 | Screw | Vite | Vis | Schraube | |
| 2 | 22551635/0 | 1 | Plate For Handle | Piastrina Fissaggio Manico | Plaque Fixage Mancheron | Platte Holmbefestigung | |
| 3 | 22778405/0 | 2 | Support | Supporto | Support | Halter | |
| 4 | 12760515/0 | 2 | Screw | Vite | Vis | Schraube | |
| 5 | 12521350/0 | 2 | Washer | Rosetta | Rondelle | Scheibe | |
| 6 | 12521350/0 | 4 | Washer | Rosetta | Rondelle | Scheibe | |
| 7 | 22399810/0 | 4 | Knob | Manopolina | Poignée | Griff | |
| 8 | 12361005/0 | 4 | Nut | Dado | Ecrou | Mutter | |
| 9 | 81006613/0 | 1 | Handle, Lower Part | Manico, Parte Inf | Mancheron, Partie Inferieure | Holm, Unterteil | |
| 10 | 22192001/0 | 1 | Anchor Clamp | Fascetta Ancoraggio | Collier Ancrage | Bowdenzughalter | |
| 11 | 12728691/0 | 1 | Screw | Vite | Vis | Schraube | |
| 12 | 12820655/0 | 2 | Screw | Vite | Vis | Schraube | |
| 13 | 22430311/0 | 1 | Guide Spring | Molla Guida | Ressort De Guide | Feder Führer | |
| 14 | 22545137/0 | 2 | Plate For Handle Fastening | Piastrina Fissaggio Manico | Plaque Fixage Mancheron | Platte Holmbefestigung | |



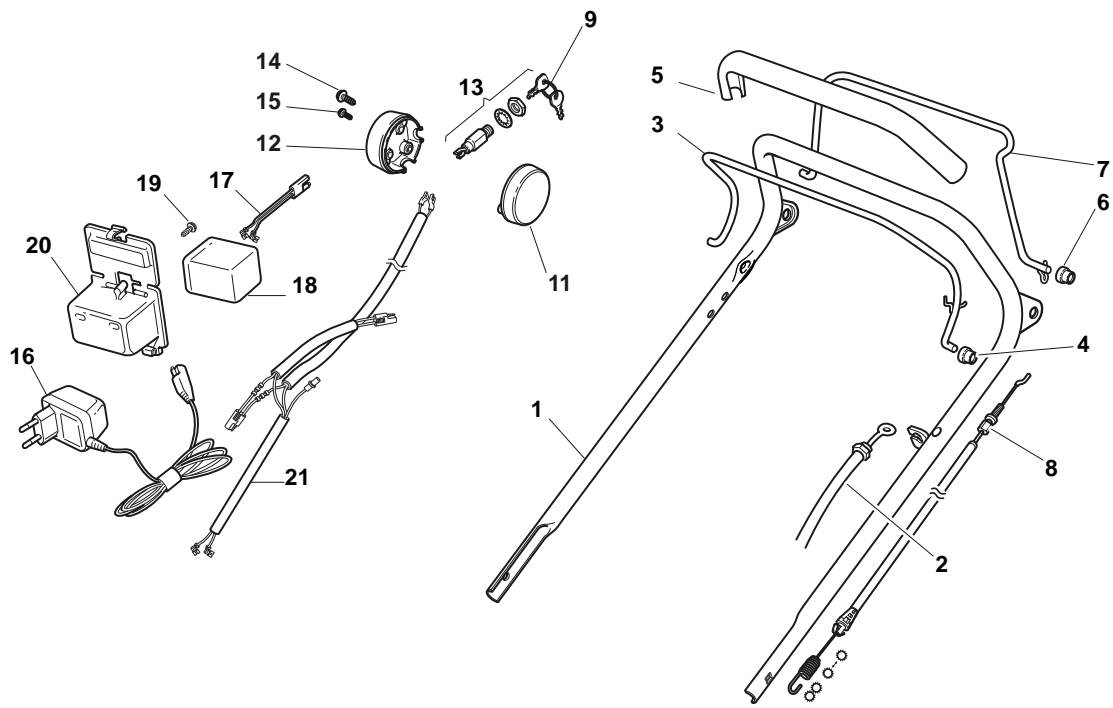
| POS | PART. NO | Q.ty | DESCRIPTION | DESCRIZIONE | DESCRIPTION | BESCHREIBUNG | REMARKS |
|-----|------------|------|----------------------------|----------------------------|------------------------------|------------------------|---------|
| 1 | 12820655/0 | 2 | Screw | Vite | Vis | Schraube | |
| 2 | 22551635/0 | 2 | Plate For Handle Fastening | Piastrina Fissaggio Manico | Plaquette Fixage Mancheron | Platte Holmbefestigung | |
| 3 | 81006641/0 | 1 | Handle, Lower Part | Manico, Parte Inf | Mancheron, Partie Inferieure | Holm, Unterteil | |
| 4 | 12760515/0 | 2 | Screw | Vite | Vis | Schraube | |
| 5 | 12521350/0 | 2 | Washer | Rosetta | Rondelle | Scheibe | |
| 6 | 12521350/0 | 4 | Washer | Rosetta | Rondelle | Scheibe | |
| 7 | 22399810/0 | 4 | Knob | Manopolina | Poignée | Griff | |
| 8 | 12361005/0 | 4 | Nut | Dado | Ecrou | Mutter | |
| 10 | 22192001/0 | 1 | Anchor Clamp | Fascetta Ancoraggio | Collier Ancrage | Bowdenzughalter | |
| 11 | 12728691/0 | 1 | Screw | Vite | Vis | Schraube | |
| 12 | 12820655/0 | 2 | Screw | Vite | Vis | Schraube | |
| 13 | 22430311/0 | 1 | Guide Spring | Molla Guida | Ressort De Guide | Feder Führer | |
| 14 | 22545137/0 | 2 | Plate For Handle Fastening | Piastrina Fissaggio Manico | Plaquette Fixage Mancheron | Platte Holmbefestigung | |



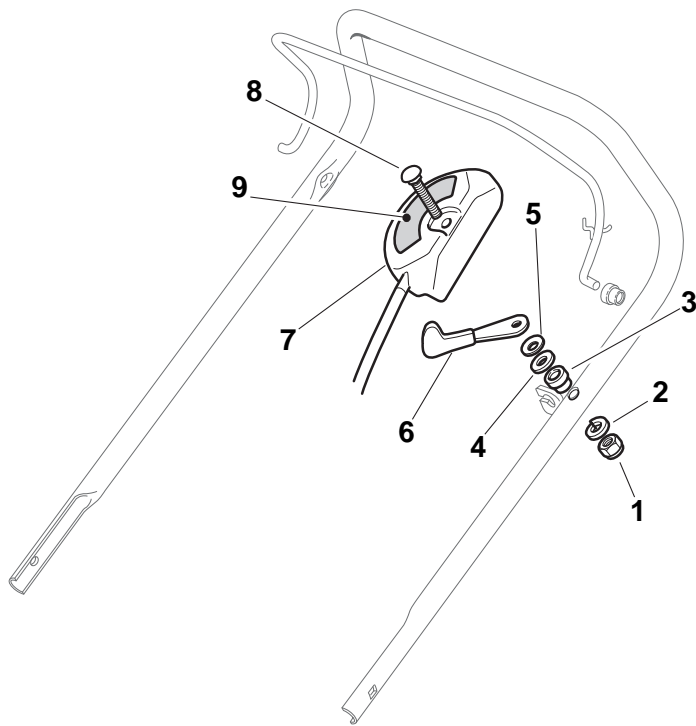
| POS | PART. NO | Q.ty | DESCRIPTION | DESCRIZIONE | DESCRIPTION | BESCHREIBUNG | REMARKS |
|-----|-------------|------|----------------------------|-------------------------|------------------------------|--------------------|-----------|
| 1 | 81007024/0 | 1 | Handle, Upper Part | Manico, Parte Sup | Mancheron, Partie Superieure | Holm, Oberteil | |
| 2 | 81000756/0 | 1 | Cable, Thread Engine Brake | Cavo Freno Motore | Cable Frein Moteur | Kabel, Motorbremse | GGP 150cc |
| 2 | 81000634/0 | 1 | Cable, Thread Engine Brake | Cavo Freno Motore | Cable Frein Moteur | Kabel, Motorbremse | B&S |
| 2 | 81000634/0 | 1 | Cable, Thread Engine Brake | Cavo Freno Motore | Cable Frein Moteur | Kabel, Motorbremse | Honda-GGP |
| 2 | 181030006/0 | 1 | Cable, Thread Engine Brake | Cavo Freno Motore | Cable Frein Moteur | Kabel, Motorbremse | B&S DOV |
| 3 | 81003291/3 | 1 | Lever, Engine Brake | Leva Freno Motore | Levier Frein Moteur | Hebel, Motorbremse | |
| 4 | 22041966/0 | 2 | Bush | Bussola | Douille | Buchse | |
| 5 | 22291050/0 | 1 | Handgrip Black | Impugnatura Manico Nera | Poignée Noire | Handgriff Schwarz | |
| 6 | 22041965/1 | 2 | Bush | Bussola | Douille | Buchse | |
| 7 | 81003288/1 | 1 | Lever, Driving | Leva Trazione | Levier Traction | Hebel, Antrieb | |
| 8 | 381030008/0 | 1 | Cable, Rear Drive | Cavo Comando Trazione | Câble, Commande Traction | Kabel, Antrieb | |



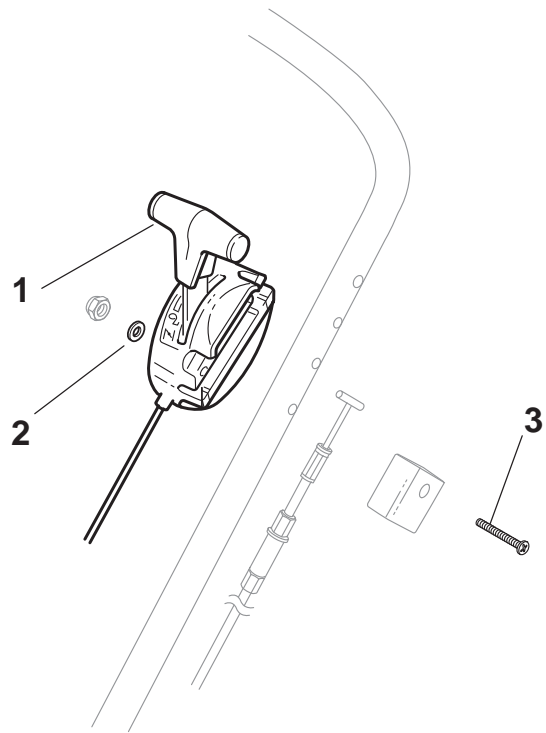
| POS | PART. NO | Q.ty | DESCRIPTION | DESCRIZIONE | DESCRIPTION | BESCHREIBUNG | REMARKS |
|-----|-------------|------|----------------------------|-----------------------|------------------------------|--------------------|---------------|
| 1 | 81006618/1 | 1 | Handle, Upper Part | Manico, Parte Sup | Mancheron, Partie Superieure | Holm, Oberteil | |
| 2 | 381003330/0 | 1 | Lever, Engine Brake | Leva Freno Motore | Levier Frein Moteur | Hebel, Motorbremse | |
| 3 | 81000686/0 | 1 | Cable, Thread Engine Brake | Cavo Freno Motore | Cable Frein Moteur | Kabel, Motorbremse | B&S 450-500 |
| 3 | 81000687/0 | 1 | Cable, Thread Engine Brake | Cavo Freno Motore | Cable Frein Moteur | Kabel, Motorbremse | B&S 675/Honda |
| 3 | 81000688/0 | 1 | Cable, Thread Engine Brake | Cavo Freno Motore | Cable Frein Moteur | Kabel, Motorbremse | B&S 625 |
| 3 | 81000688/0 | 1 | Cable, Thread Engine Brake | Cavo Freno Motore | Cable Frein Moteur | Kabel, Motorbremse | GGP |
| 3 | 181000777/0 | 1 | Cable, Thread Engine Brake | Cavo Freno Motore | Cable Frein Moteur | Kabel, Motorbremse | B&S DOV |
| 3 | 181000777/0 | 1 | Bush | Bussola | Douille | Buchse | GGP 150cc |
| 4 | 81000697/0 | 1 | Cable, Rear Drive | Cavo Comando Trazione | Câble, Commande Traction | Kabel, Antrieb | |
| 5 | 81003297/1 | 1 | Driving Lever | Leva Trazione | Levier Traction | Antriebhebel | |
| 6 | 12727783/0 | 1 | Screw | Vite | Vis | Schraube | |
| 7 | 22551640/0 | 1 | Plate | Piastrina | Plaquette | Plättchen | |
| 8 | 12154510/0 | 1 | Nut | Dado | Ecrou | Mutter | |



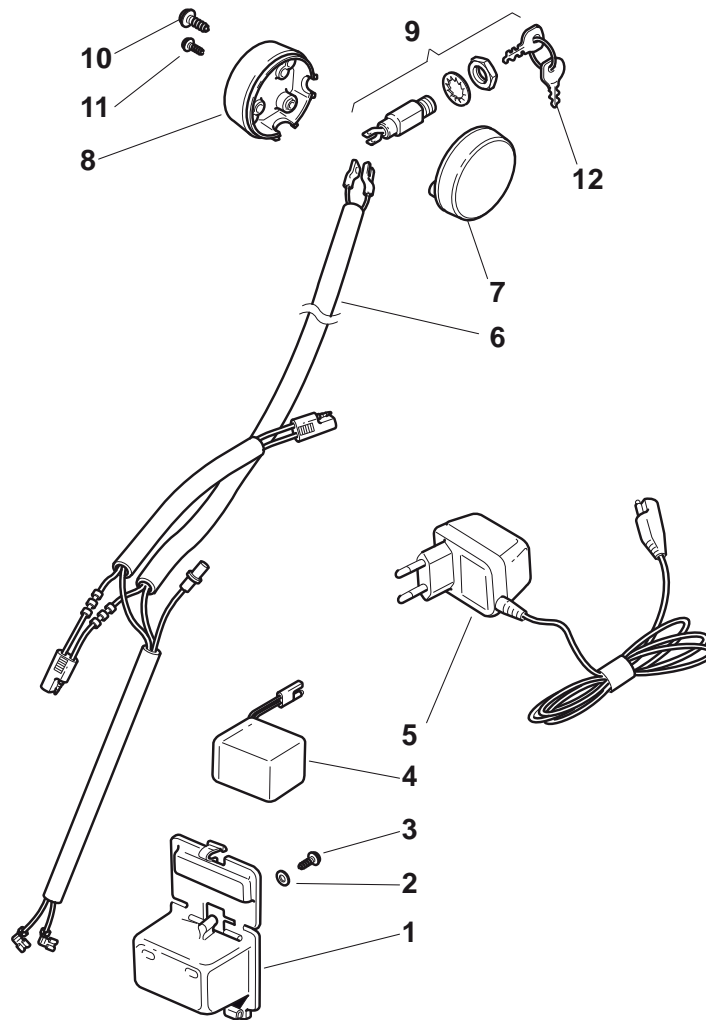
| POS | PART. NO | Q.ty | DESCRIPTION | DESCRIZIONE | DESCRIPTION | BESCHREIBUNG | REMARKS |
|-----|-------------|------|----------------------------|-------------------------|------------------------------|---------------------|-----------|
| 1 | 81006863/0 | 1 | Handle, Upper Part | Manico, Parte Sup | Mancheron, Partie Superieure | Holm, Oberteil | |
| 2 | 81000756/0 | 1 | Cable, Thread Engine Brake | Cavo Freno Motore | Cable Frein Moteur | Kabel, Motorbremse | GGP 150cc |
| 2 | 81000634/0 | 1 | Cable, Thread Engine Brake | Cavo Freno Motore | Cable Frein Moteur | Kabel, Motorbremse | B&S |
| 2 | 81000634/0 | 1 | Cable, Thread Engine Brake | Cavo Freno Motore | Cable Frein Moteur | Kabel, Motorbremse | Honda |
| 2 | 181030006/0 | 1 | Cable, Thread Engine Brake | Cavo Freno Motore | Cable Frein Moteur | Kabel, Motorbremse | B&S DOV |
| 3 | 81003291/3 | 1 | Lever, Engine Brake | Leva Freno Motore | Levier Frein Moteur | Hebel, Motorbremse | |
| 4 | 22041966/0 | 2 | Bush | Bussola | Douille | Buchse | |
| 5 | 22291050/0 | 1 | Handgrip Black | Impugnatura Manico Nera | Poignée Noire | Handgriff Schwarz | |
| 6 | 22041965/1 | 2 | Bush | Bussola | Douille | Buchse | |
| 7 | 81003288/1 | 1 | Lever, Driving | Leva Trazione | Levier Traction | Hebel, Antrieb | |
| 8 | 381030008/0 | 1 | Cable, Rear Drive | Cavo Comando Trazione | Câble, Commande Traction | Kabel, Antrieb | |
| 9 | 18210016/1 | 1 | Starting Key | Chiave Avviamento | Clef A Demarrage | Schlüssel Für Start | |
| 11 | 22722801/0 | 1 | L Protection | Protezione Sx | Protection G | Linke Schutz | |
| 12 | 22722800/0 | 1 | R Protection | Protezione Dx | Protection D | Rechte Schutz | |
| 13 | 18450050/0 | 1 | Switch | Interruttore | Interrupteur | Schalter | |
| 14 | 12728300/0 | 2 | Screw | Vite | Vis | Schraube | |
| 15 | 12728691/0 | 1 | Screw | Vite | Vis | Schraube | |
| 16 | 18204120/0 | 1 | Battery Charger | Carica Batteria | Chargeur De Batterie | Ladgerät | CE |
| 16 | 18204121/0 | 1 | Battery Charger | Carica Batteria | Chargeur De | Ladgerät | UK |
| 17 | 122063002/2 | 1 | Cable, Start | Cavo Avviamento | Cable Démarrage | Kabel, Start | |
| 18 | 18120053/0 | 1 | Battery | Batteria | Batterie | Batterie | |
| 19 | 12728691/0 | 1 | Screw | Vite | Vis | Schraube | |
| 20 | 22109533/0 | 1 | Battery Box | Contentore Batteria | Conteneur De Batterie | Batterie Behälter | |
| 21 | 18204196/0 | 1 | Cable, Start | Cavo Avviamento | Cable Démarrage | Kabel, Start | |



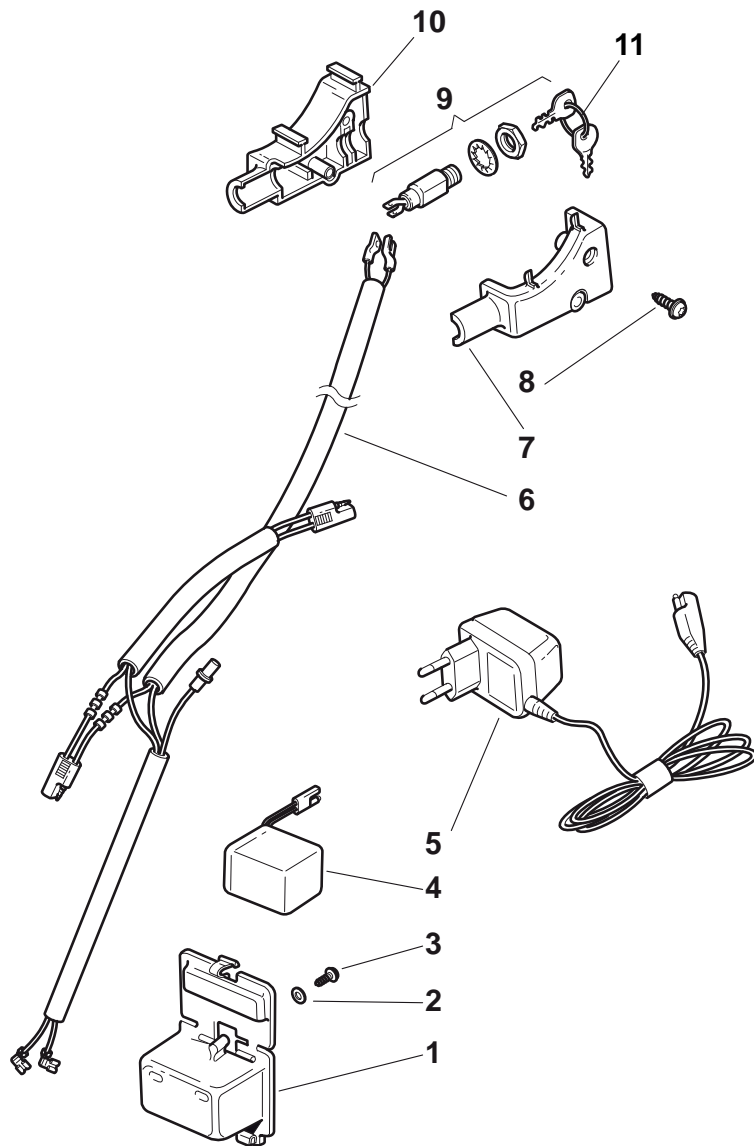
| POS | PART. NO | Q.ty | DESCRIPTION | DESCRIZIONE | DESCRIPTION | BESCHREIBUNG | REMARKS |
|-----|-------------|------|-----------------|--------------------|----------------------|----------------------|-----------------------|
| 1 | 12291000/0 | 1 | Nut | Dado | Ecrou | Mutter | |
| 2 | 12581500/0 | 1 | Grower | Grower | Grower | Federring | |
| 3 | 22171005/0 | 1 | Spacer | Distanziale | Entretoise | Distanzring | |
| 4 | 12521360/0 | 1 | Washer | Rosetta | Rondelle | Scheibe | |
| 5 | 12508100/0 | 1 | Spring Washer | Rosetta Elastica | Rondelle Elastique | Elastische Scheibe | |
| 6 | 81007279/1 | 1 | Lever, Throttle | Leva, Acceleratore | Levier, Accelérateur | Hebel, Beschleuniger | B&S-GGP-Honda |
| 6 | 81007220/0 | 1 | Lever, Throttle | Leva, Acceleratore | Levier, Accelérateur | Hebel, Beschleuniger | B&S 450-500/GGP 150cc |
| 7 | 81007080/0 | 1 | Throttle Cable | Cavo Acceleratore | Cable, Accelérateur | Gashebel Kabel | |
| 8 | 12815000/0 | 1 | Screw | Vite | Vis | Schraube | |
| 9 | 14356703/0 | 1 | Label | Etichetta | Etiquette | Etikette | Honda |
| 9 | 114356905/0 | 1 | Label | Etichetta | Etiquette | Etikette | B&S DOV |
| 9 | 14356702/0 | 1 | Label | Etichetta | Etiquette | Etikette | GGP |
| 9 | 114364264/0 | 1 | Label | Etichetta | Etiquette | Etikette | GGP AVS |
| 9 | 14356702/0 | 1 | Label | Etichetta | Etiquette | Etikette | Honda |
| 9 | 114356905/0 | 1 | Label | Etichetta | Etiquette | Etikette | Honda AC |



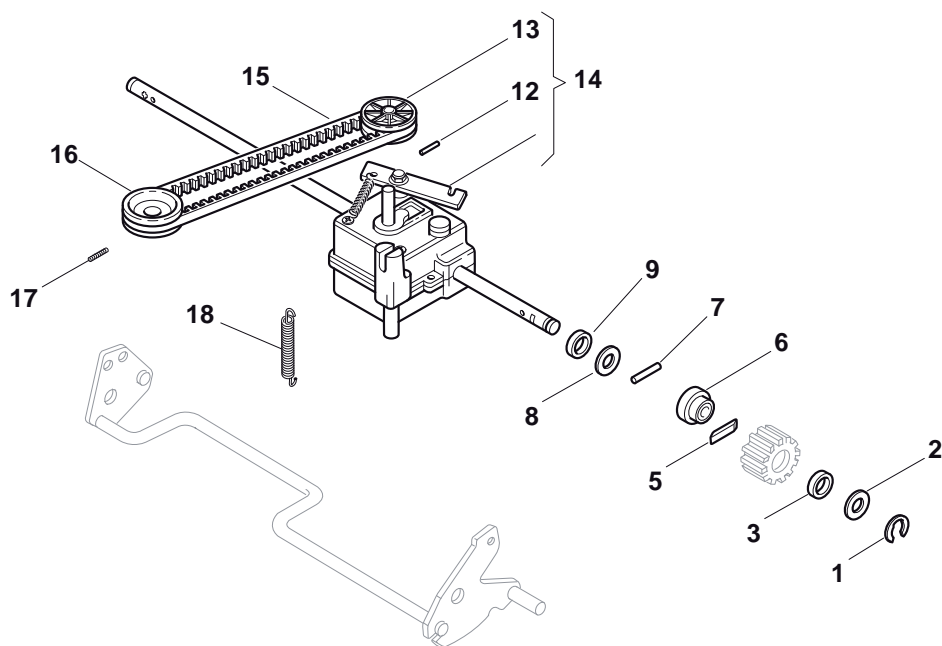
| POS | PART. NO | Q.ty | DESCRIPTION | DESCRIZIONE | DESCRIPTION | BESCHREIBUNG | REMARKS |
|-----|-------------|------|----------------|-------------------|---------------------|----------------|----------------|
| 1 | 81007128/0 | 1 | Throttle Cable | Cavo Acceleratore | Cable, Accelérateur | Gashebel Kabel | B&S Deluxe-GGP |
| 1 | 81007126/0 | 1 | Throttle Cable | Cavo Acceleratore | Cable, Accelérateur | Gashebel Kabel | Honda |
| 1 | 181007127/1 | 1 | Throttle Cable | Cavo Acceleratore | Cable, Accelérateur | Gashebel Kabel | B&S Capro-GGP |
| 2 | 12523040/0 | 1 | Washer | Rosetta | Rondelle | Scheibe | |
| 3 | 12727787/0 | 1 | Screw | Vite | Vis | Schraube | |



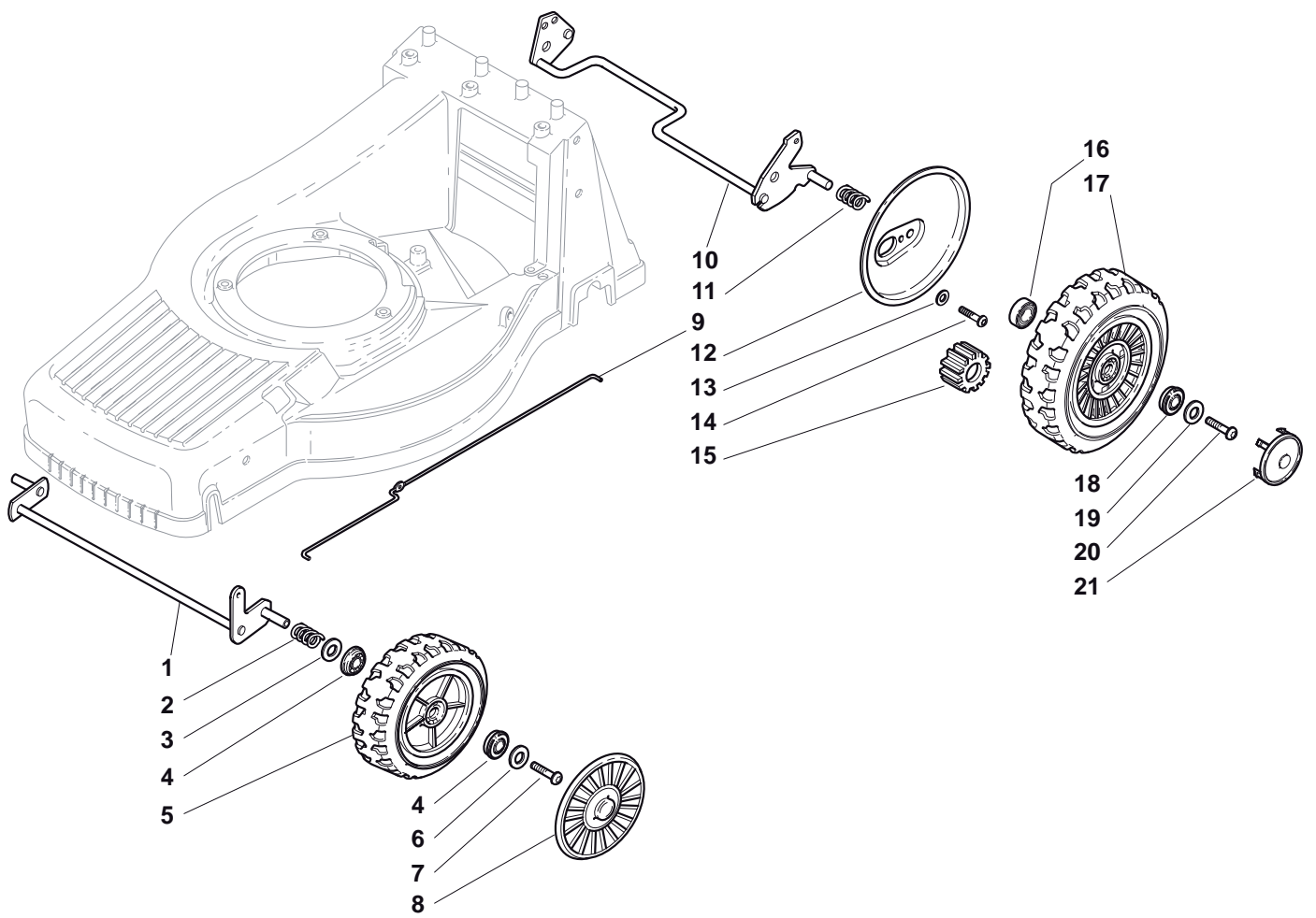
| POS | PART. NO | Q.ty | DESCRIPTION | DESCRIZIONE | DESCRIPTION | BESCHREIBUNG | REMARKS |
|-----|------------|------|-----------------|----------------------|-----------------------|---------------------|---------|
| 1 | 22109533/0 | 1 | Battery Box | Contenitore Batteria | Conteneur De Batterie | Batterie Behälter | |
| 2 | 12523040/0 | 1 | Washer | Rosetta | Rondelle | Scheibe | |
| 3 | 12728691/0 | 1 | Screw | Vite | Vis | Schraube | |
| 4 | 18120052/0 | 1 | Battery | Batteria | Batterie | Batterie | |
| 5 | 18204120/0 | 1 | Battery Charger | Carica Batteria | Chargeur De Batterie | Ladgerät | CE |
| 5 | 18204121/0 | 1 | Battery Charger | Carica Batteria | Chargeur De | Ladgerät | UK |
| 6 | 18204195/0 | 1 | Cable, Start | Cavo Avviamento | Cable Démarrage | Kabel, Start | |
| 7 | 22722801/0 | 1 | L Protection | Protezione Sx | Protection G | Linke Schutz | |
| 8 | 22722800/0 | 1 | R Protection | Protezione Dx | Protection D | Rechte Schutz | |
| 9 | 18450050/0 | 1 | Switch | Interruttore | Interrupteur | Schalter | |
| 10 | 12728702/0 | 2 | Screw | Vite | Vis | Schraube | |
| 11 | 12728691/0 | 1 | Screw | Vite | Vis | Schraube | |
| 12 | 18210016/1 | 1 | Starting Key | Chiave Avviamento | Clef A Demarrage | Schlüssel Für Start | |



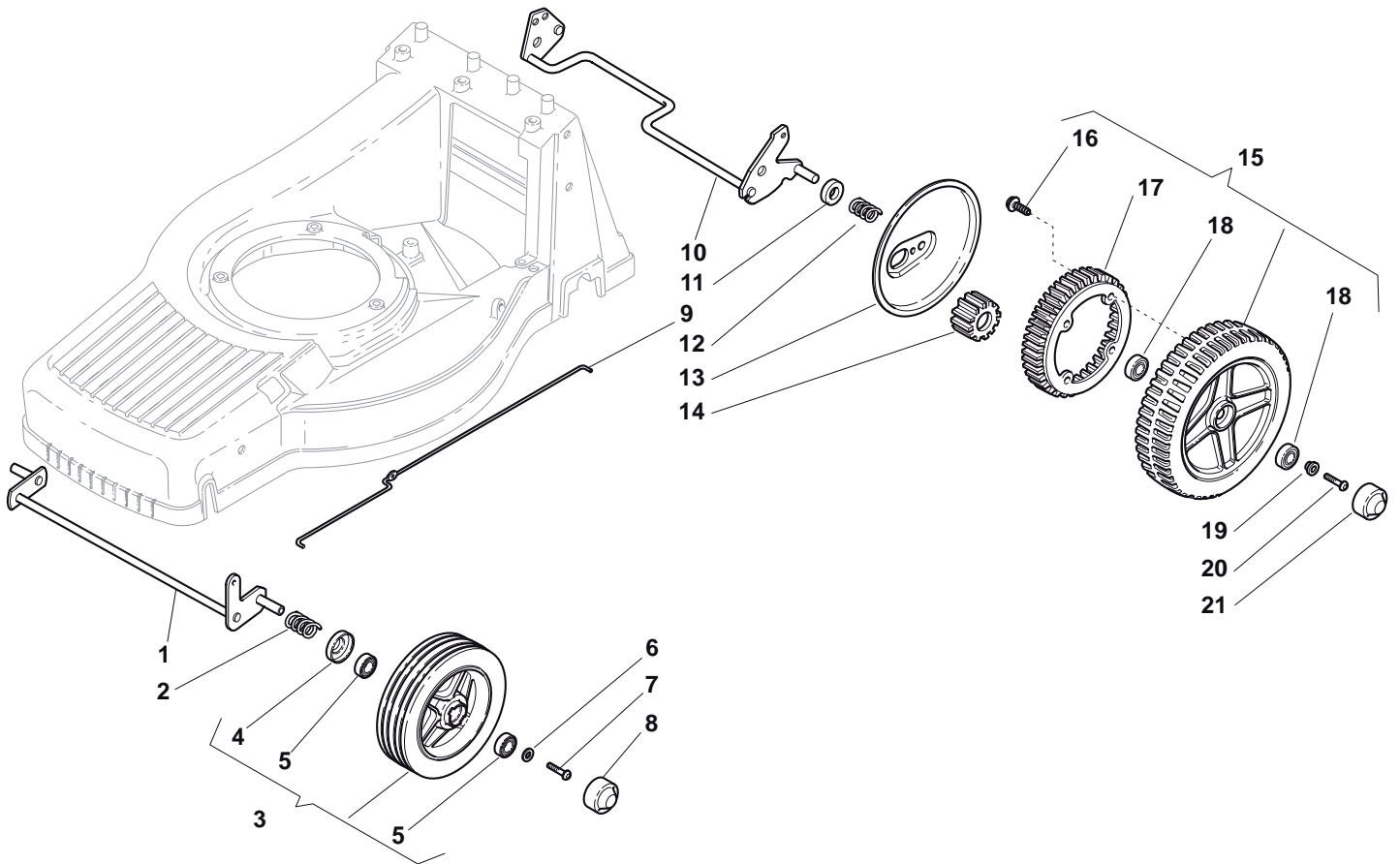
| POS | PART. NO | Q.ty | DESCRIPTION | DESCRIZIONE | DESCRIPTION | BESCHREIBUNG | REMARKS |
|-----|------------|------|-----------------|----------------------|-----------------------|---------------------|---------|
| 1 | 22109533/0 | 1 | Battery Box | Contenitore Batteria | Conteneur De Batterie | Batterie Behälter | |
| 2 | 12523040/0 | 1 | Washer | Rosetta | Rondelle | Scheibe | |
| 3 | 12728691/0 | 1 | Screw | Vite | Vis | Schraube | |
| 4 | 18120052/0 | 1 | Battery | Batteria | Batterie | Batterie | |
| 5 | 18204120/0 | 1 | Battery Charger | Carica Batteria | Chargeur De Batterie | Ladgerät | CE |
| 5 | 18204121/0 | 1 | Battery Charger | Carica Batteria | Chargeur De | Ladgerät | UK |
| 6 | 18204195/0 | 1 | Cable, Start | Cavo Avviamento | Cable Démarrage | Kabel, Start | |
| 7 | 22722805/1 | 1 | L Protection | Protezione Sx | Protection G | Linke Schutz | |
| 8 | 12728300/0 | 1 | Screw | Vite | Vis | Schraube | |
| 9 | 18450050/0 | 1 | Switch | Interruttore | Interrupteur | Schalter | |
| 10 | 22722804/1 | 1 | R Protection | Protezione Dx | Protection D | Rechte Schutz | |
| 11 | 18210016/1 | 1 | Starting Key | Chiave Avviamento | Clef A Demarrage | Schlüssel Für Start | |



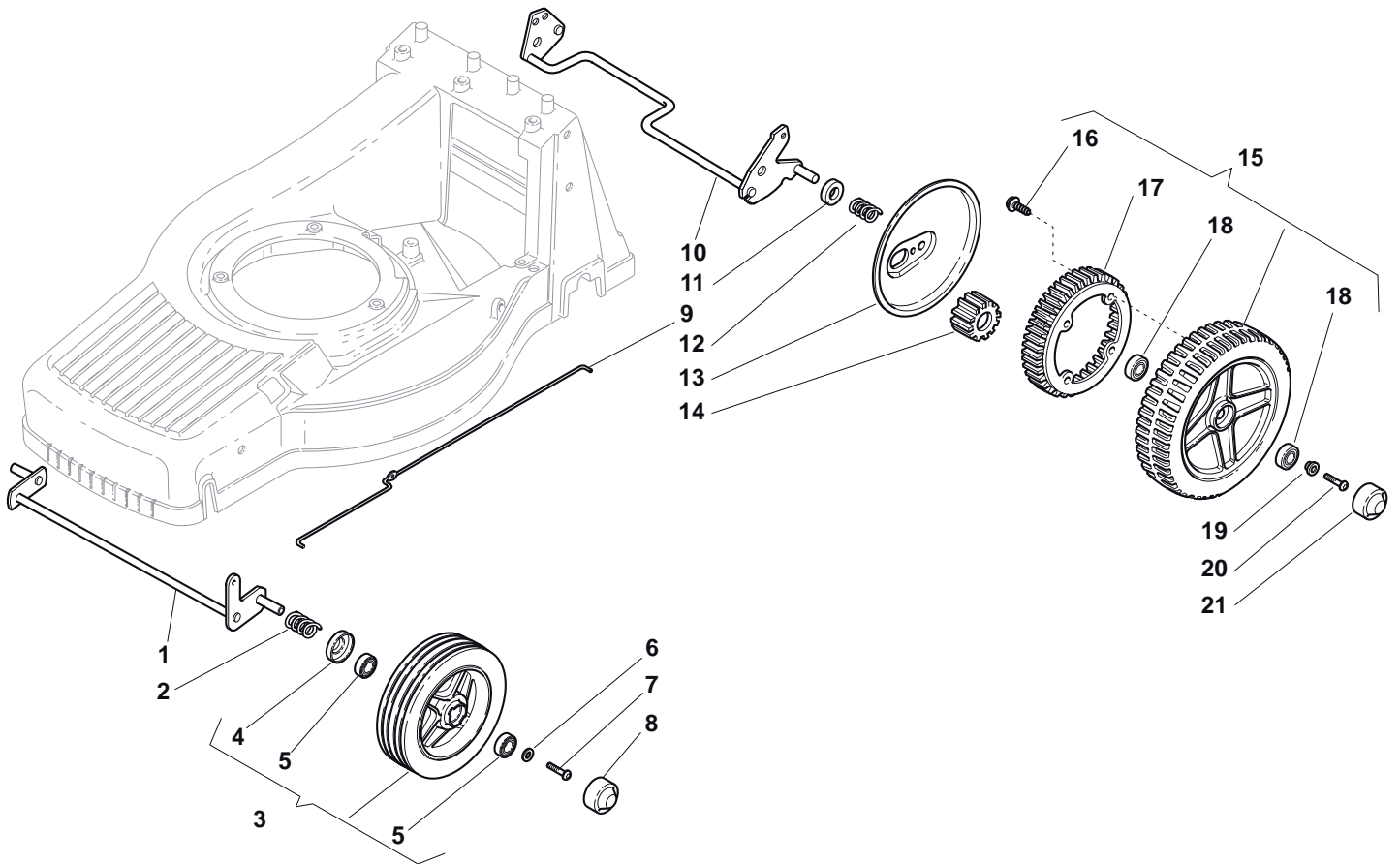
| POS | PART. NO | Q.ty | DESCRIPTION | DESCRIZIONE | DESCRIPTION | BESCHREIBUNG | REMARKS |
|-----|-------------|------|-------------------------|------------------------------|---------------------------|--------------------------------|---------|
| 1 | 12000957/0 | 2 | Benzing | Anello Benzing | Anneau Benzing | Benzing | |
| 2 | 12520032/0 | 2 | Washer | Rosetta | Rondelle | Scheibe | |
| 3 | 22160520/0 | 2 | Dust Cover | Disco Parapolvere | Protege-Poussiere | Staubschutscheibe | |
| 5 | 22076645/0 | 2 | Key | Chiave | Clef | Schlüssel | |
| 6 | 22170630/0 | 2 | Spacer | Distanziale | Entretoise | Distanzring | |
| 7 | 22753002/0 | 2 | Pin | Spina | Goupille | Stift | |
| 8 | 12520032/0 | 2 | Washer | Rosetta | Rondelle | Scheibe | |
| 9 | 19035152/0 | 2 | Or Ring | Anello Or | Bague Or | Ring Or | |
| 12 | 12620310/0 | 1 | Pin | Spina | Goupille | Stift | |
| 13 | 22601913/0 | 1 | Pulley | Puleggia | Poulie | Riemenscheibe | |
| 14 | 81003085/0 | 1 | Gear Box | Gruppo Trazione | Groupe Traction | Antrieb | |
| 15 | 35063175/0 | 1 | Belt Lp 750 | Cinghia Lp 750 | Courroire Lp 750 | Riemen Lp 750 | |
| 16 | 22601918/0 | 1 | Pulley, Crankshaft Ø 22 | Puleggia, Albero Motore Ø 22 | Poulie, Arbre Moteur Ø 22 | Riemenscheibe, Motorwelle Ø 22 | GGP-B&S |
| 16 | 122601921/0 | 1 | Pulley, Crankshaft Ø 25 | Puleggia, Albero Motore Ø 25 | Poulie, Arbre Moteur Ø 25 | Riemenscheibe, Motorwelle Ø 25 | Honda |



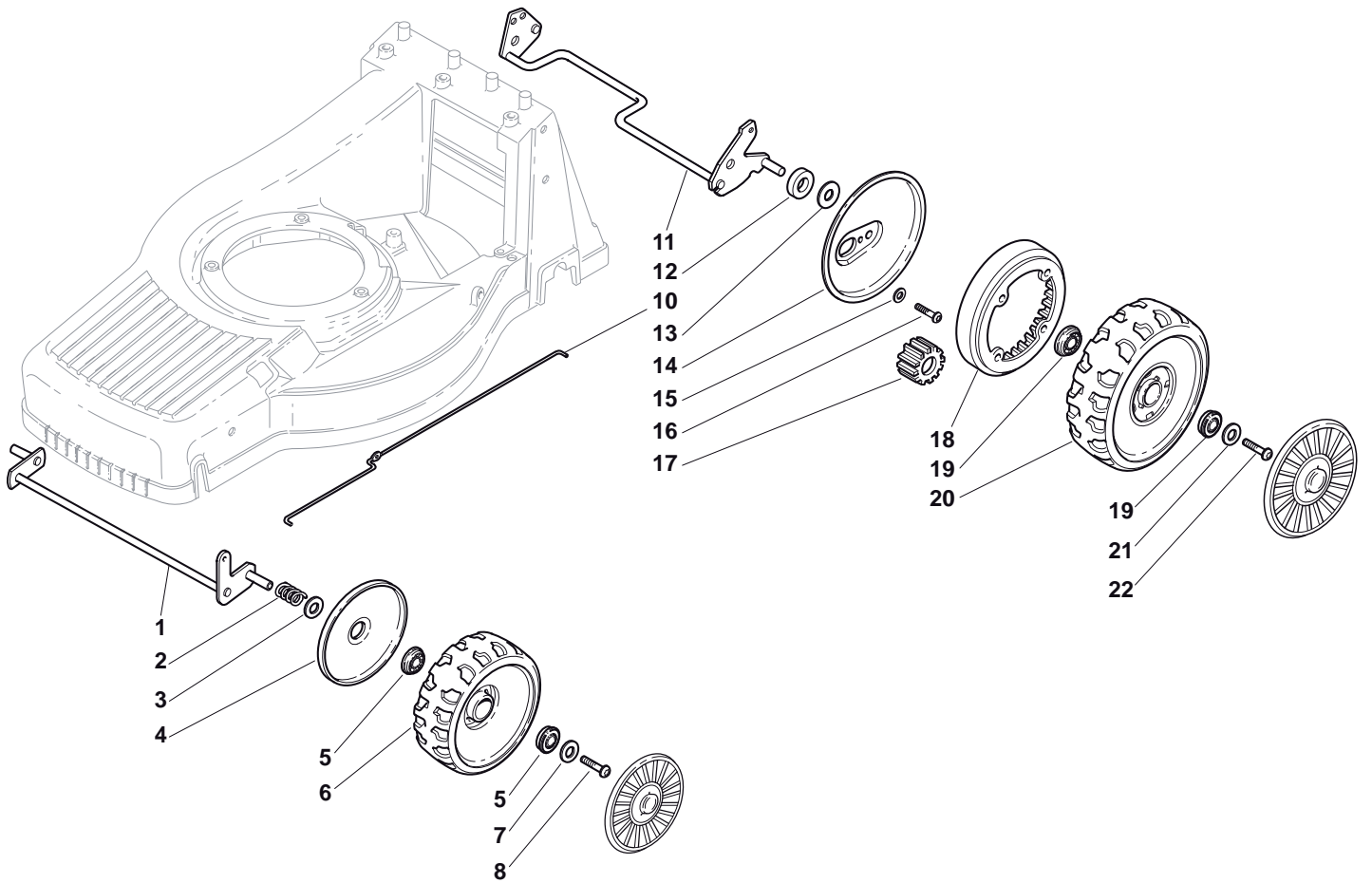
| POS | PART. NO | Q.ty | DESCRIPTION | DESCRIZIONE | DESCRIPTION | BESCHREIBUNG | REMARKS |
|-----|-------------|------|--------------------------------|-----------------------|-------------------------------|-------------------------|---------------------|
| 1 | 81002845/0 | 1 | Axle, Front Wheels | Asse Ruote Anteriore | Axe Roues Avant | Achse, Vorderrad | |
| 2 | 22430210/0 | 2 | Spring | Molla | Ressort | Feder | |
| 3 | 12521370/0 | 2 | Washer | Rosetta | Rondelle | Scheibe | |
| 4 | 22122200/0 | 4 | Bearing | Cuscinetto | Coussinet | Lager | |
| 5 | 81007351/0 | 2 | Wheel Ø 170 | Ruota Ø 170 | Roue Ø 170 | Rad Ø 170 | |
| 6 | 12521460/0 | 2 | Washer | Rosetta | Rondelle | Scheibe | |
| 7 | 112735662/1 | 2 | Screw | Vite | Vis | Schraube | |
| 8 | 22110347/0 | 2 | Hub Cap | Coprimezzo | Couvre-Moyeu | Radkappe | |
| 9 | 22033322/0 | 1 | Rod, Height Adjustment Control | Asta Comando Regol. | Tige Commande Reglage Hauteur | Stange, Höheverstellung | |
| 10 | 81002823/0 | 1 | Axle, Rear Wheels | Asse Ruote Posteriore | Axe Roues Arriere | Achse, Hinterrad | |
| 11 | 22430215/0 | 2 | Spring | Molla | Ressort | Feder | |
| 12 | 22600121/0 | 2 | Protection, Wheel | Prot. Ruote | Protection Roue | Schütz, Räder | |
| 13 | 12521460/0 | 2 | Washer | Rosetta | Rondelle | Scheibe | |
| 14 | 112735662/1 | 2 | Screw | Vite | Vis | Schraube | |
| 15 | 22570125/0 | 2 | Pinion | Pignone | Pignon | Ritzel | |
| 16 | 19216038/0 | 2 | Bearing | Cuscinetto | Coussinet | Lager | Only 554 for Models |
| 17 | 81007361/0 | 2 | Wheel Ø 190 | Ruota Ø 190 | Roue Ø190 | Rad Ø 190 | |
| 17 | 81007362/0 | 2 | Wheel Ø 215 | Ruota Ø 215 | Roue Ø 215 | Rad Ø 215 | |
| 18 | 22122201/0 | 4 | Bearing | Cuscinetto | Coussinet | Lager | |
| 19 | 12521460/0 | 2 | Washer | Rosetta | Rondelle | Scheibe | |
| 20 | 112735662/1 | 2 | Screw | Vite | Vis | Schraube | |
| 21 | 22110384/0 | 2 | Hub Cap | Coprimezzo | Couvre-Moyeu | Radkappe | |



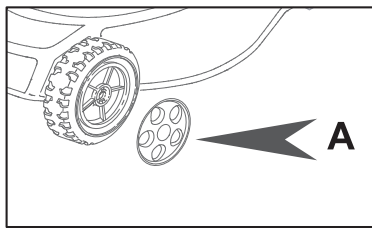
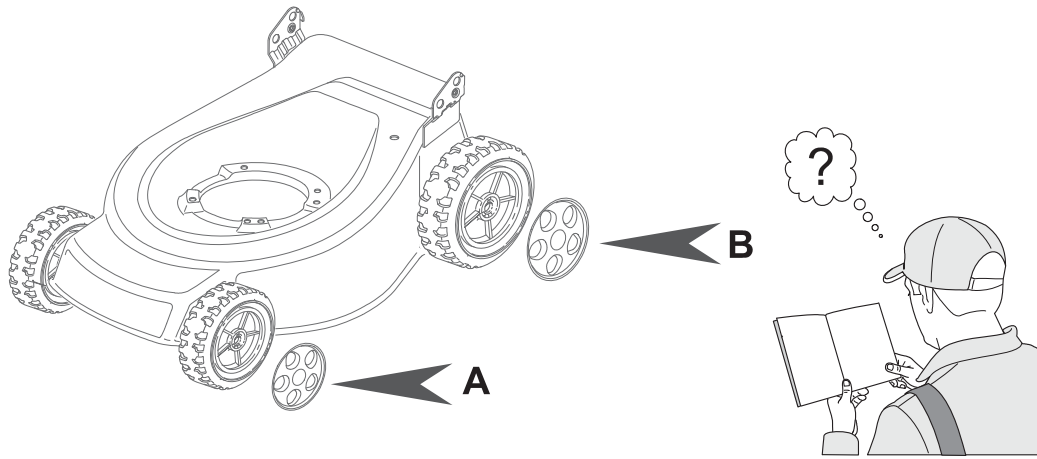
| POS | PART. NO | Q.ty | DESCRIPTION | DESCRIZIONE | DESCRIPTION | BESCHREIBUNG | REMARKS |
|-----|-------------|------|--------------------------------|-----------------------|-------------------------------|-------------------------|---------|
| 1 | 81002821/0 | 1 | Axle, Front Wheels | Asse Ruote Anteriore | Axe Roues Avant | Achse, Vorderrad | |
| 2 | 22430210/0 | 2 | Spring | Molla | Ressort | Feder | |
| 3 | 381007364/0 | 2 | Wheel Ø 190 | Ruota Ø 190 | Roue Ø 190 | Rad Ø 190 | |
| 4 | 22160522/0 | 2 | Dust Cover | Disco Parapolvere | Protege-Poussiere | Staubschutscheibe | |
| 5 | 19216039/0 | 4 | Bearing | Cuscinetto | Coussinet | Lager | |
| 6 | 12521460/0 | 2 | Washer | Rosetta | Rondelle | Scheibe | |
| 7 | 112735662/1 | 2 | Screw | Vite | Vis | Schraube | |
| 8 | 22110379/0 | 2 | Hub Cap | Coprimotozzo | Couvre-Moyeu | Radkappe | |
| 9 | 22033322/0 | 1 | Rod, Height Adjustment Control | Asta Comando Regol. | Tige Commande Reglage Hauteur | Stange, Höheverstellung | |
| 10 | 81002823/0 | 1 | Axle, Rear Wheels | Asse Ruote Posteriore | Axe Roues Arriere | Achse, Hinterrad | |
| 11 | 22170810/0 | 2 | Spacer | Distanziale | Entretoise | Distanzring | |
| 12 | 22430215/0 | 2 | Spring | Molla | Ressort | Feder | |
| 13 | 22600127/0 | 2 | Protection, Wheel | Prot. Ruote | Protection Roue | Schütz, Räder | |
| 14 | 22570126/0 | 2 | Pinion | Pignone | Pignon | Ritzel | |
| 15 | 81007367/0 | 2 | Wheel Ø 205 | Ruota Ø 205 | Roue Ø 205 | Rad Ø 205 | |
| 15 | 81007368/0 | 2 | Wheel Ø 215 | Ruota Ø 215 | Roue Ø 215 | Rad Ø 215 | |
| 16 | 12728210/0 | 8 | Screw | Vite | Vis | Schraube | |
| 17 | 22120108/0 | 2 | Ring Gear | Corona Trascinamento | Couronne | Kranz | |
| 18 | 19216038/0 | 4 | Bearing | Cuscinetto | Coussinet | Lager | |
| 19 | 22671655/0 | 2 | Washer | Rosetta | Rondelle | Scheibe | |
| 20 | 12735592/0 | 2 | Screw | Vite | Vis | Schraube | |
| 21 | 22110380/0 | 2 | Hub Cap | Coprimotozzo | Couvre-Moyeu | Radkappe | |



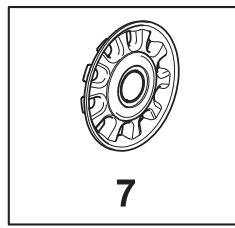
| POS | PART. NO | Q.ty | DESCRIPTION | DESCRIZIONE | DESCRIPTION | BESCHREIBUNG | REMARKS |
|-----|-------------|------|--------------------------------|-----------------------|-------------------------------|-------------------------|---------|
| 1 | 81002821/0 | 1 | Axle, Front Wheels | Asse Ruote Anteriore | Axe Roues Avant | Achse, Vorderrad | |
| 2 | 22430210/0 | 2 | Spring | Molla | Ressort | Feder | |
| 3 | 81007363/0 | 2 | Wheel Ø 175 | Ruota Ø 175 | Roue Ø 175 | Rad Ø 175 | |
| 4 | 22160522/0 | 2 | Dust Cover | Disco Parapolvere | Protege-Poussiere | Staubschutscheibe | |
| 5 | 19216039/0 | 4 | Bearing | Cuscinetto | Coussinet | Lager | |
| 6 | 12521460/0 | 2 | Washer | Rosetta | Rondelle | Scheibe | |
| 7 | 112735662/1 | 2 | Screw | Vite | Vis | Schraube | |
| 8 | 22110379/0 | 2 | Hub Cap | Coprizzo | Couvre-Moyeu | Radkappe | |
| 9 | 22033322/0 | 1 | Rod, Height Adjustment Control | Asta Comando Regol. | Tige Commande Reglage Hauteur | Stange, Höheverstellung | |
| 10 | 81002823/0 | 1 | Axle, Rear Wheels | Asse Ruote Posteriore | Axe Roues Arriere | Achse, Hinterrad | |
| 11 | 22170810/0 | 2 | Spacer | Distanziale | Entretoise | Distanzring | |
| 12 | 22430215/0 | 2 | Spring | Molla | Ressort | Feder | |
| 13 | 22600127/0 | 2 | Protection, Wheel | Prot. Ruote | Protection Roue | Schütz, Räder | |
| 14 | 22570126/0 | 2 | Pinion | Pignone | Pignon | Ritzel | |
| 15 | 81007367/0 | 2 | Wheel Ø 205 | Ruota Ø 205 | Roue Ø 205 | Rad Ø 205 | |
| 15 | 81007368/0 | 2 | Wheel Ø 215 | Ruota Ø 215 | Roue Ø 215 | Rad Ø 215 | |
| 16 | 12728210/0 | 8 | Screw | Vite | Vis | Schraube | |
| 17 | 22120108/0 | 2 | Ring Gear | Corona Trascinamento | Couronne | Kranz | |
| 18 | 19216038/0 | 4 | Bearing | Cuscinetto | Coussinet | Lager | |
| 19 | 22671655/0 | 2 | Washer | Rosetta | Rondelle | Scheibe | |
| 20 | 12735592/0 | 2 | Screw | Vite | Vis | Schraube | |
| 21 | 22110380/0 | 2 | Hub Cap | Coprizzo | Couvre-Moyeu | Radkappe | |



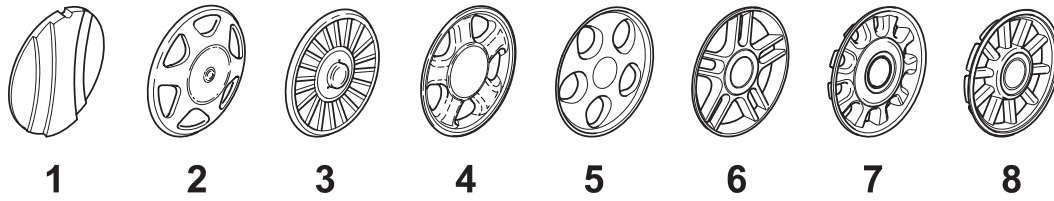
| POS | PART. NO | Q.ty | DESCRIPTION | DESCRIZIONE | DESCRIPTION | BESCHREIBUNG | REMARKS |
|-----|-------------|------|--------------------------------|-----------------------|-------------------------------|-------------------------|---------|
| 1 | 81002843/0 | 1 | Axle, Front Wheels | Asse Ruote Anteriore | Axe Roues Avant | Achse, Vorderrad | |
| 2 | 22430215/0 | 2 | Spring | Molla | Ressort | Feder | |
| 3 | 12521370/0 | 2 | Washer | Rosetta | Rondelle | Scheibe | |
| 4 | 22600095/0 | 2 | Protection, Wheel | Prot. Ruote | Protection Roue | Schütz, Räder | |
| 5 | 22122200/0 | 4 | Bearing | Cuscinetto | Coussinet | Lager | |
| 6 | 22686091/1 | 2 | Wheel Ø 165 | Ruota Ø 165 | Roue Ø 165 | Rad Ø 165 | |
| 7 | 12521460/0 | 2 | Washer | Rosetta | Rondelle | Scheibe | |
| 8 | 112735662/1 | 2 | Screw | Vite | Vis | Schraube | |
| 10 | 22033321/0 | 1 | Rod, Height Adjustment Control | Asta Comando Regol. | Tige Commande Reglage Hauteur | Stange, Höheverstellung | |
| 11 | 81002841/0 | 1 | Axle, Rear Wheels | Asse Ruote Posteriore | Axe Roues Arriere | Achse, Hinterrad | |
| 12 | 22170815/0 | 2 | Spacer | Distanziale | Entretoise | Distanzring | |
| 13 | 22675100/0 | 2 | Washer | Rosetta | Rondelle | Scheibe | |
| 14 | 22600121/0 | 2 | Protection, Wheel | Prot. Ruote | Protection Roue | Schütz, Räder | |
| 15 | 12521460/0 | 2 | Washer | Rosetta | Rondelle | Scheibe | |
| 16 | 112735662/1 | 1 | Screw | Vite | Vis | Schraube | |
| 17 | 22570125/0 | 2 | Pinion | Pignone | Pignon | Ritzel | |
| 18 | 22120109/0 | 2 | Sprocket | Ruota Dentata | Couronne | Zahnkettenrad | |
| 19 | 22122200/0 | 4 | Bearing | Cuscinetto | Coussinet | Lager | |
| 20 | 22686093/0 | 2 | Wheel Ø 190 | Ruota Ø 190 | Roue Ø190 | Rad Ø 190 | |
| 21 | 12521460/0 | 2 | Washer | Rosetta | Rondelle | Scheibe | |
| 22 | 112735662/1 | 1 | Screw | Vite | Vis | Schraube | |



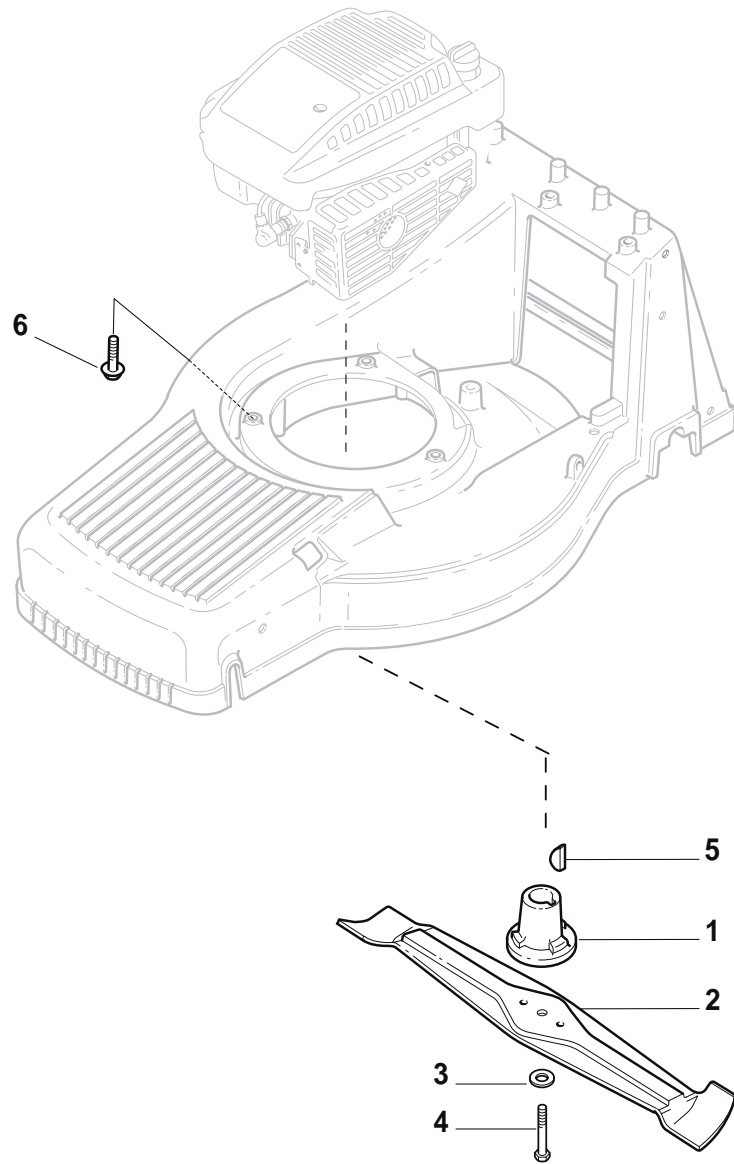
+



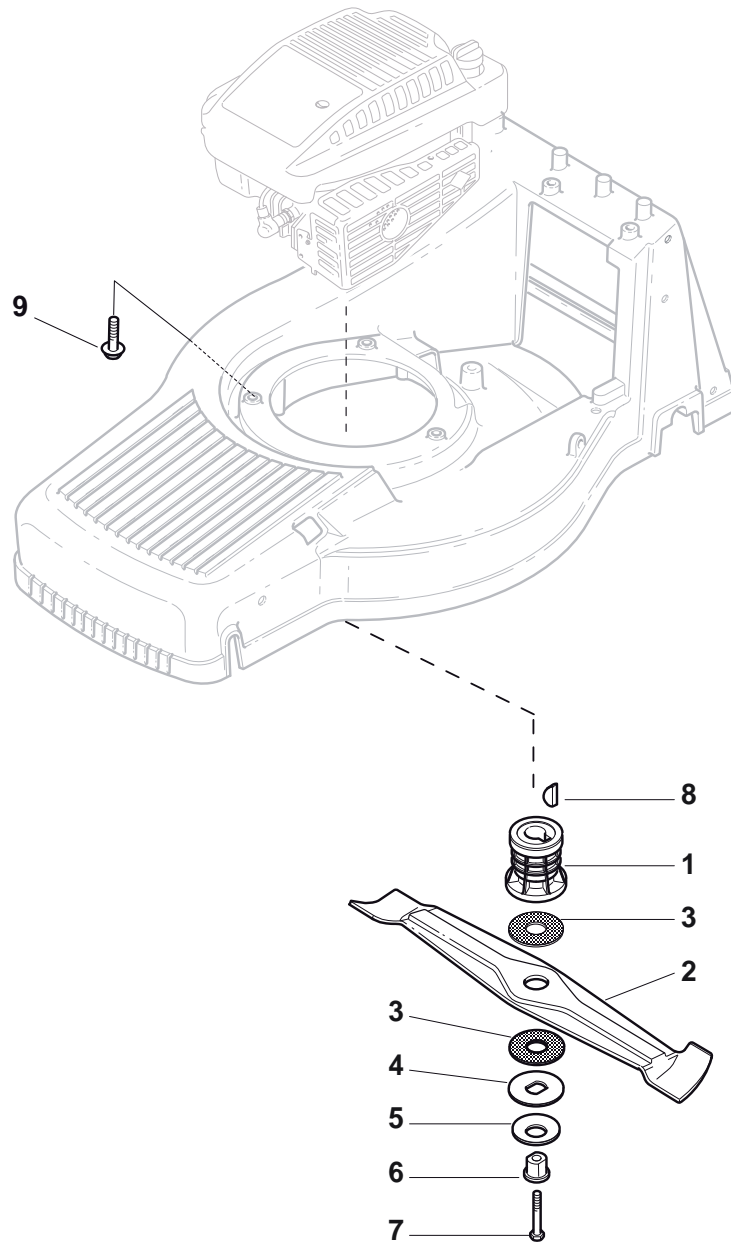
= A7



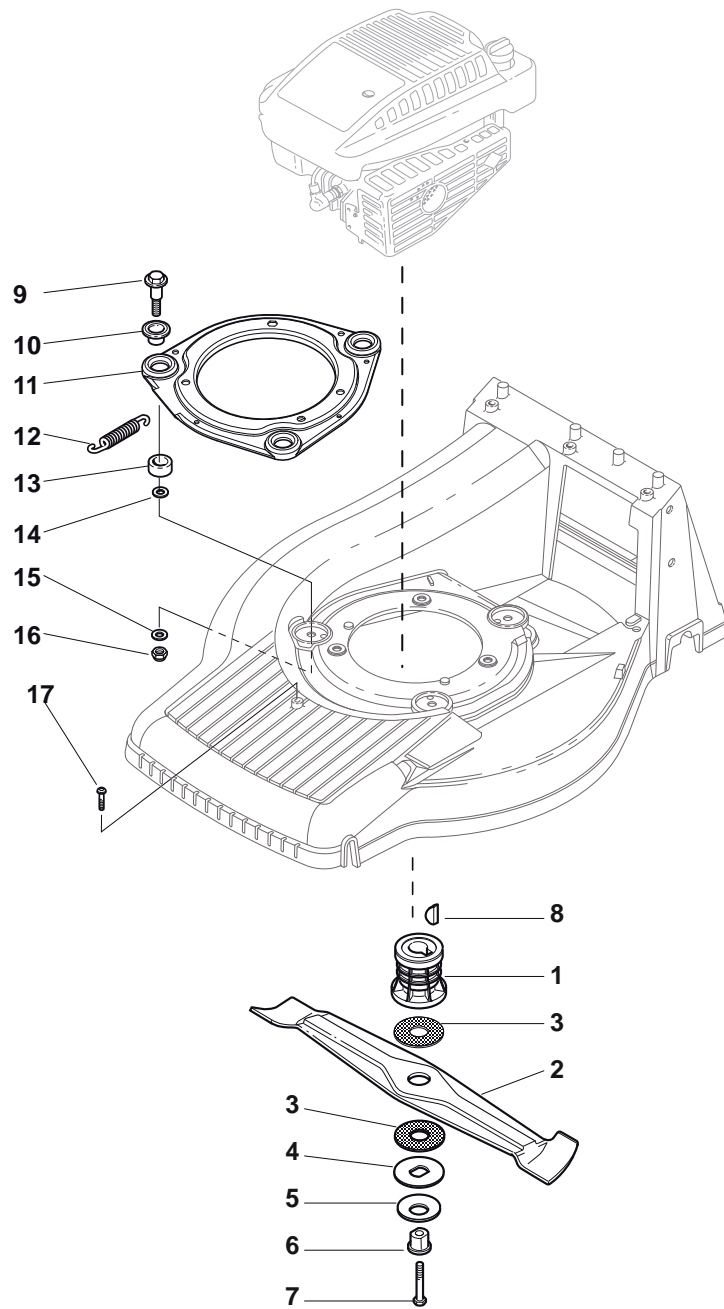
| POS | PART. NO | Q.ty | DESCRIPTION | DESCRIZIONE | DESCRIPTION | BESCHREIBUNG | REMARKS |
|-----|------------|------|----------------|------------------|--------------------|----------------|---------|
| B1 | 22110251/0 | 4 | Hub Cap White | Coprimito Bianco | Couvre-Moyeu Blanc | Radkappe Weiße | |
| A1 | 22110252/1 | 4 | Hub Cap White | Coprimito Bianco | Couvre-Moyeu Blanc | Radkappe Weiße | |
| B1 | 22110253/0 | 4 | Hub Cap Yellow | Coprimito Giallo | Couvre-Moyeu Jaune | Radkappe Gelbe | |
| A1 | 22110254/1 | 4 | Hub Cap Yellow | Coprimito Giallo | Couvre-Moyeu Jaune | Radkappe Gelbe | |
| B1 | 22110255/1 | 4 | Hub Cap Red | Coprimito Rosso | Couvre-Moyeu Rouge | Radkappe Rot | |
| A1 | 22110256/0 | 4 | Hub Cap Red | Coprimito Rosso | Couvre-Moyeu Rouge | Radkappe Rot | |
| B2 | 22110313/0 | 4 | Hub Cap White | Coprimito Bianco | Couvre-Moyeu Blanc | Radkappe Weiße | |
| B2 | 22110314/0 | 4 | Hub Cap Grey | Coprimito Grigio | Couvre-Moyeu Gris | Radkappe Grau | |
| A2 | 22110344/0 | 4 | Hub Cap White | Coprimito Bianco | Couvre-Moyeu Blanc | Radkappe Weiße | |
| A2 | 22110395/0 | 4 | Hub Cap Grey | Coprimito Grigio | Couvre-Moyeu Gris | Radkappe Grau | |
| A3 | 22110347/0 | 4 | Hub Cap Grey | Coprimito Grigio | Couvre-Moyeu Gris | Radkappe Grau | |
| A3 | 22110348/0 | 4 | Hub Cap Grey | Coprimito Grigio | Couvre-Moyeu Gris | Radkappe Grau | |
| A4 | 22110381/0 | 4 | Hub Cap Grey | Coprimito Grigio | Couvre-Moyeu Gris | Radkappe Grau | |
| B4 | 22110382/0 | 4 | Hub Cap Grey | Coprimito Grigio | Couvre-Moyeu Gris | Radkappe Grau | |
| A5 | 22110416/0 | 4 | Hub Cap Grey | Coprimito Grigio | Couvre-Moyeu Gris | Radkappe Grau | |
| B5 | 22110417/0 | 4 | Hub Cap Grey | Coprimito Grigio | Couvre-Moyeu Gris | Radkappe Grau | |
| A6 | 22110491/0 | 4 | Hub Cap Grey | Coprimito Grigio | Couvre-Moyeu Gris | Radkappe Grau | |
| B6 | 22110492/0 | 4 | Hub Cap Grey | Coprimito Grigio | Couvre-Moyeu Gris | Radkappe Grau | |
| A7 | 22110493/0 | 4 | Hub Cap Grey | Coprimito Grigio | Couvre-Moyeu Gris | Radkappe Grau | |
| B7 | 22110494/0 | 4 | Hub Cap Grey | Coprimito Grigio | Couvre-Moyeu Gris | Radkappe Grau | |
| A8 | 22110495/0 | 4 | Hub Cap Grey | Coprimito Grigio | Couvre-Moyeu Gris | Radkappe Grau | |
| B8 | 22110496/0 | 4 | Hub Cap Grey | Coprimito Grigio | Couvre-Moyeu Gris | Radkappe Grau | |



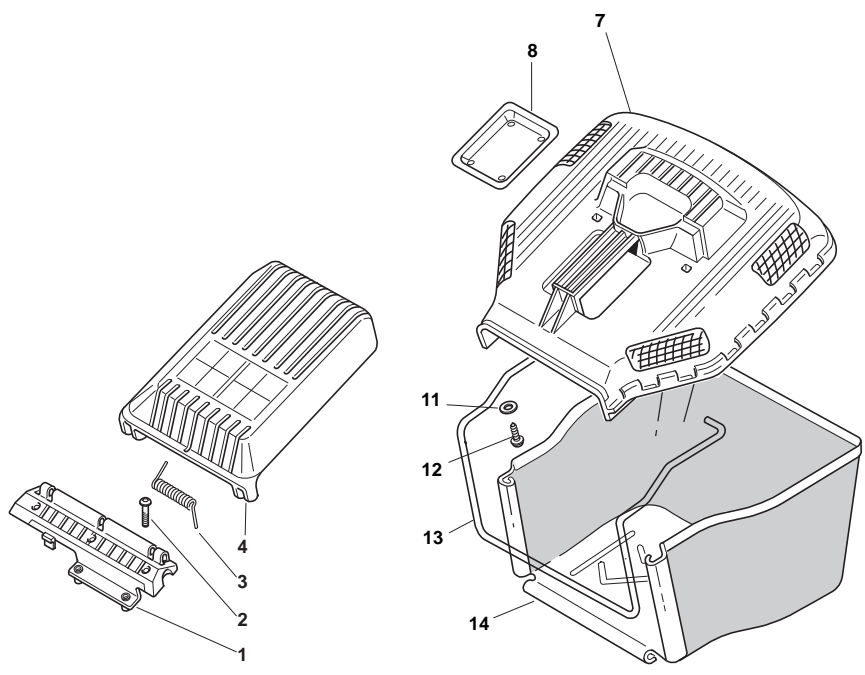
| POS | PART. NO | Q.ty | DESCRIPTION | DESCRIZIONE | DESCRIPTION | BESCHREIBUNG | REMARKS |
|-----|-------------|------|----------------------------|---------------------------------|-------------------------------|---------------------------|---------|
| 1 | 22465618/0 | 1 | Hub, Crankshaft Ø 22.2 | Mozzo, Albero Motore Ø 22.2 | Moyeu, Arbre Moteur Ø 22.2 | Halter, Motorwelle Ø 22.2 | GGP-B&S |
| 1 | 122465630/0 | 1 | Hub, Crankshaft Ø 25 | Mozzo, Albero Motore Ø 25 | Moyeu, Arbre Moteur Ø 25 | Halter, Motorwelle Ø 25 | Honda |
| 2 | 81004143/0 | 1 | Blade | Coltello | Lame | Messer | |
| 3 | 12530140/0 | 1 | Washer | Rosetta | Rondelle | Scheibe | |
| 4 | 12735698/0 | 1 | Screw | Vite | Vis | Schraube | |
| 5 | 12139100/0 | 1 | Feather, Crankshaft Ø 22.2 | Linguetta, Albero Motore Ø 22.2 | Clavette, Arbre Moteur Ø 22.2 | Keil, Motorwelle Ø 22.2 | GGP-B&S |
| 5 | 12139150/0 | 1 | Feather, Crankshaft Ø 25 | Linguetta, Albero Motore Ø 25 | Clavette, Arbre Moteur Ø 25 | Keil, Motorwelle Ø 25 | Honda |
| 6 | 112735108/1 | 3 | Screw | Vite | Vis | Schraube | |



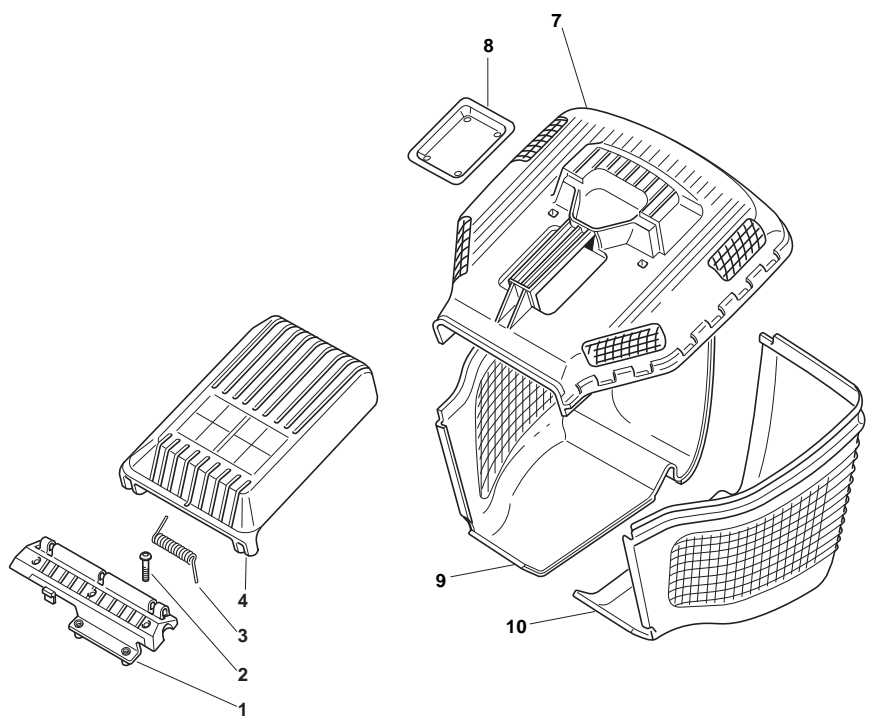
| POS | PART. NO | Q.ty | DESCRIPTION | DESCRIZIONE | DESCRIPTION | BESCHREIBUNG | REMARKS |
|-----|-------------|------|-------------------------------------|---|---|--------------------------------------|---------------|
| 1 | 22465619/0 | 1 | Hub With Pulley, Crankshaft Ø 22 | Mozzo Con Puleggia, Albero Motore Ø 22 | Moyeu Avec Poulie, Arbre Moteur Ø 22 | Nabe Mit Scheibe, Motorwelle Ø 22 | GGP-B&S |
| 1 | 122465631/0 | 1 | Hub With Pulley, Crankshaft Ø 25 | Mozzo Con Puleggia, Albero Motore Ø 25 | Moyeu Avec Poulie, Arbre Moteur Ø 25 | Nabe Mit Scheibe, Motorwelle Ø 25 | Honda |
| 1 | 122465636/0 | 1 | Hub With Pulley, Crankshaft Ø 22 | Mozzo Con Puleggia, Albero Motore Ø 22 | Moyeu Avec Poulie, Arbre Moteur Ø 22 | Nabe Mit Scheibe, Motorwelle Ø 22 | GGP-B&S AVS |
| 1 | 122465637/0 | 1 | Hub With Pulley, Crankshaft Ø 25 | Mozzo Con Puleggia, Albero Motore Ø 25 | Moyeu Avec Poulie, Arbre Moteur Ø 25 | Nabe Mit Scheibe, Motorwelle Ø 25 | Honda AVS |
| 2 | 81004135/0 | 1 | Blade Winged | Coltello Alettato | Lame Ailette | Messer Flügel | |
| 3 | 22672111/0 | 2 | Clutch Washer | Rondella Frizione | Rondelle Friction | Kupplungscheibe | |
| 4 | 22672105/0 | 1 | Washer | Rosetta | Rondelle | Scheibe | |
| 5 | 12508120/0 | 1 | Cupped Spring | Molla A Tazza | Ressort | Teller Feder | |
| 6 | 22041940/0 | 1 | Clutch Bush | Bussola Frizione | Douille Friction | Kupplungsscheibe | |
| 7 | 12736850/0 | 1 | Screw | Vite | Vis | Schraube | GGP-B&S-Honda |
| 7 | 12736825/0 | 1 | Screw | Vite | Vis | Schraube | AVS |
| 8 | 12139100/0 | 1 | Feather, Crankshaft Ø 22.2 | Linguetta, Albero Motore Ø 22.2 | Clavette, Arbre Moteur Ø 22.2 | Keil, Motorwelle Ø 22.2 | |
| 8 | 12139150/0 | 1 | Feather, Crankshaft Ø 25 | Linguetta, Albero Motore Ø 25 | Clavette, Arbre Moteur Ø 25 | Keil, Motorwelle Ø 25 | |
| 9 | 112735108/1 | 3 | Screw | Vite | Vis | Schraube | |



| POS | PART. NO | Q.ty | DESCRIPTION | DESCRIZIONE | DESCRIPTION | BESCHREIBUNG | REMARKS |
|-----|-------------|------|-------------------------------------|---|---|--------------------------------------|---------------|
| 1 | 22465619/0 | 1 | Hub With Pulley, Crankshaft Ø 22 | Mozzo Con Puleggia, Albero Motore Ø 22 | Moyeu Avec Poulie, Arbre Moteur Ø 22 | Nabe Mit Scheibe, Motorwelle Ø 22 | GGP-B&S |
| 1 | 122465631/0 | 1 | Hub With Pulley, Crankshaft Ø 25 | Mozzo Con Puleggia, Albero Motore Ø 25 | Moyeu Avec Poulie, Arbre Moteur Ø 25 | Nabe Mit Scheibe, Motorwelle Ø 25 | Honda |
| 1 | 122465636/0 | 1 | Hub With Pulley, Crankshaft Ø 22 | Mozzo Con Puleggia, Albero Motore Ø 22 | Moyeu Avec Poulie, Arbre Moteur Ø 22 | Nabe Mit Scheibe, Motorwelle Ø 22 | GGP-B&S AVS |
| 1 | 122465637/0 | 1 | Hub With Pulley, Crankshaft Ø 25 | Mozzo Con Puleggia, Albero Motore Ø 25 | Moyeu Avec Poulie, Arbre Moteur Ø 25 | Nabe Mit Scheibe, Motorwelle Ø 25 | Honda AVS |
| 2 | 81004135/0 | 1 | Blade Winged | Coltello Alettato | Lame Ailette | Messer Flügel | |
| 3 | 22672111/0 | 2 | Clutch Washer | Rondella Frizione | Rondelle Friction | Kupplungscheibe | |
| 4 | 22672105/0 | 1 | Washer | Rosetta | Rondelle | Scheibe | |
| 5 | 12508120/0 | 1 | Cupped Spring | Molla A Tazza | Ressort | Teller Feder | |
| 6 | 22041940/0 | 1 | Clutch Bush | Bussola Frizione | Douille Friction | Kupplungsscheibe | |
| 7 | 12736850/0 | 1 | Screw | Vite | Vis | Schraube | GGP-B&S-Honda |
| 7 | 12736825/0 | 1 | Screw | Vite | Vis | Schraube | AVS |
| 8 | 12139100/0 | 1 | Feather, Crankshaft Ø 22.2 | Linguetta, Albero Motore Ø 22.2 | Clavette, Arbre Moteur Ø 22.2 | Keil, Motorwelle Ø 22.2 | GGP-B&S |
| 8 | 12139150/0 | 1 | Feather, Crankshaft Ø 25 | Linguetta, Albero Motore Ø 25 | Clavette, Arbre Moteur Ø 25 | Keil, Motorwelle Ø 25 | Honda |
| 9 | 22524329/0 | 3 | Pin | Perno | Pivot | Bolzen | |
| 10 | 22672201/0 | 3 | Washer | Rosetta | Rondelle | Scheibe | |
| 11 | 22207225/0 | 1 | Flange | Flangia | Bride | Flansch | |
| 12 | 22450445/0 | 1 | Spring | Molla | Ressort | Feder | |
| 13 | 22250012/0 | 3 | Grommet | Gommino | Caoutchouc | Gummi | |
| 14 | 22671651/0 | 3 | Washer | Rosetta | Rondelle | Scheibe | |
| 15 | 12523060/0 | 3 | Washer | Rosetta | Rondelle | Scheibe | |
| 16 | 12155000/0 | 3 | Nut | Dado | Ecrou | Mutter | |
| 17 | 12735661/0 | 1 | Screw | Vite | Vis | Schraube | |



| POS | PART. NO | Q.ty | DESCRIPTION | DESCRIZIONE | DESCRIPTION | BESCHREIBUNG | REMARKS |
|-----|-------------|------|-----------------------|-------------------|------------------------|---------------------|---------|
| 1 | 22785179/0 | 1 | Support, Black | Supporto, Nero | Support, Noir | Halter, Schwarz | |
| 1 | 22785157/0 | 1 | Support, Yellow | Supporto, Giallo | Support, Jaune | Halter, Gelb | |
| 2 | 12735664/0 | 3 | Screw | Vite | Vis | Schraube | |
| 3 | 22450443/0 | 1 | Spring | Molla | Ressort | Feder | |
| 4 | 22600068/1 | 1 | Stone-Guard, Black | Parasassi, Nero | Pare-Pierres, Noir | Prallblech, Schwarz | |
| 4 | 322600069/2 | 1 | Stone-Guard, Yellow | Parasassi, Giallo | Pare-Pierres, Jaune | Prallblech, Gelb | |
| 7 | 22486095/0 | 1 | Grass-Box, Upper Part | Sacco, Parte Sup | Sac, Partie Superieure | Korb, Oberteil | |
| 8 | 22486098/0 | 1 | Plate | Piastrina | Plaquette | Plättchen | |
| 11 | 12521460/0 | 2 | Washer | Rosetta | Rondelle | Scheibe | |
| 12 | 12728300/0 | 2 | Screw | Vite | Vis | Schraube | |
| 13 | 22608528/0 | 1 | Stiffening Lower | Rinforzo Inf | Réinforcement Inf | Verstärkung Untere | |
| 14 | 81002235/0 | 1 | Box, Fabric | Sacco, Tela | Sac, Toile | Sack, Tuck | |



| POS | PART. NO | Q.ty | DESCRIPTION | DESCRIZIONE | DESCRIPTION | BESCHREIBUNG | REMARKS |
|-----|-------------|------|-----------------------|---------------------|--------------------------|---------------------|---------|
| 1 | 22785179/0 | 1 | Support, Black | Supporto, Nero | Support, Noir | Halter, Schwarz | |
| 1 | 22785157/0 | 1 | Support, Yellow | Supporto, Giallo | Support, Jaune | Halter, Gelb | |
| 2 | 12735664/0 | 3 | Screw | Vite | Vis | Schraube | |
| 3 | 22450443/0 | 1 | Spring | Molla | Ressort | Feder | |
| 4 | 22600068/1 | 1 | Stone-Guard, Black | Parasassi, Nero | Pare-Pierres, Noir | Prallblech, Schwarz | |
| 4 | 322600069/2 | 1 | Stone-Guard, Yellow | Parasassi, Giallo | Pare-Pierres, Jaune | Prallblech, Gelb | |
| 7 | 22486095/0 | 1 | Grass-Box, Upper Part | Sacco, Parte Sup | Sac, Partie Superieure | Korb, Oberteil | |
| 8 | 22486098/0 | 1 | Plate | Piastrina | Plaquette | Plättchen | |
| 9 | 22486099/0 | 1 | Grass-Box, R Lower | Sacco, Parte Inf Dx | Sac, Partie Inferieure D | Korb, R Unterteil | |
| 10 | 22486100/0 | 1 | Grass-Box, L Lower | Sacco, Parte Inf Sx | Sac, Partie Inferieure G | Korb, L Unterteil | |