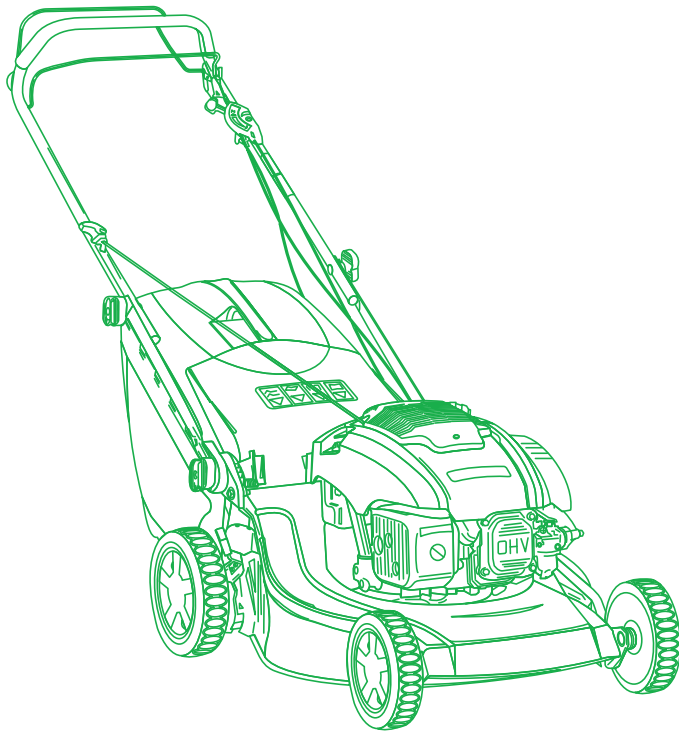


ILLUSTRATED PARTS LIST

TU 504 TR 4S TU 504 TR-E 4S



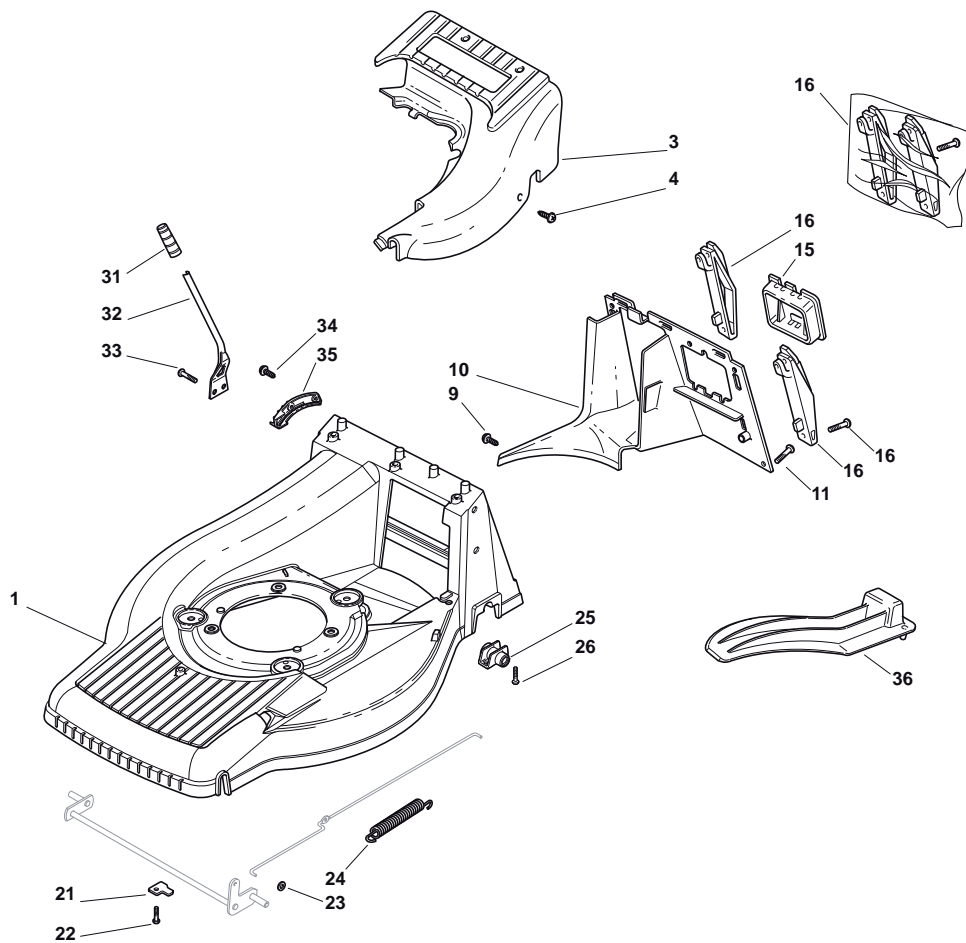
- Use GLOBAL GARDEN PRODUCT Genuine Spare Parts specified in the parts list for repair and/or replacement.
- The contents described in the parts list may change due to improvement.
- The drawings of the spare parts are only indicative and might not represent the part in question exactly.
- The indications "right" - "left" - "front" - "rear" refer to the position of the operator when using the machine.
- When placing orders of parts for repair and/or replacement, make sure that the illustrated parts list is the one applying to the machine's year of manufacture, as shown on the identification plate attached to the machine.

© Copyright 2012 Global Garden Products

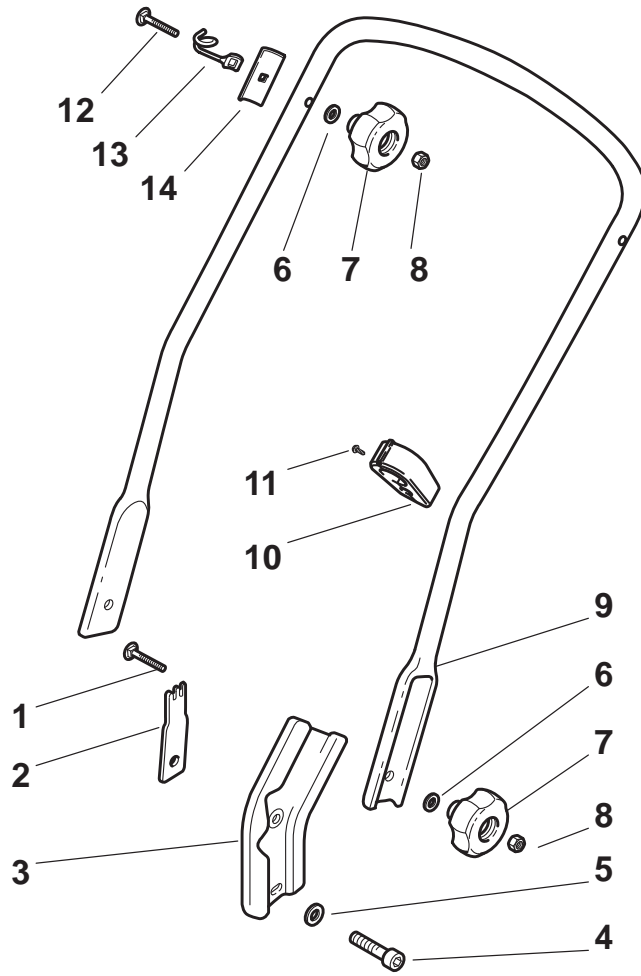
All content is subject to copyright by Global Garden Products and may not be reproduced in whole or in part by any means, electronic or otherwise, without prior written approval.

THIS INFORMATION IS NOT INTENDED FOR SALE OR RESALE, AND THIS NOTICE MUST REMAIN ON ALL COPIES.

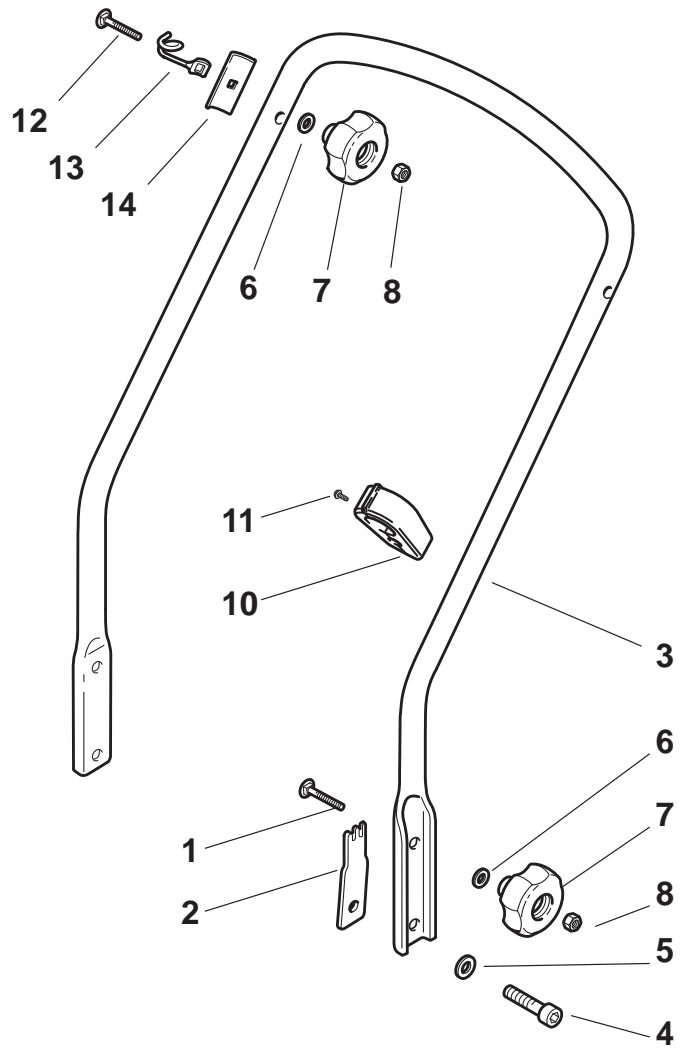

GLOBAL GARDEN PRODUCTS



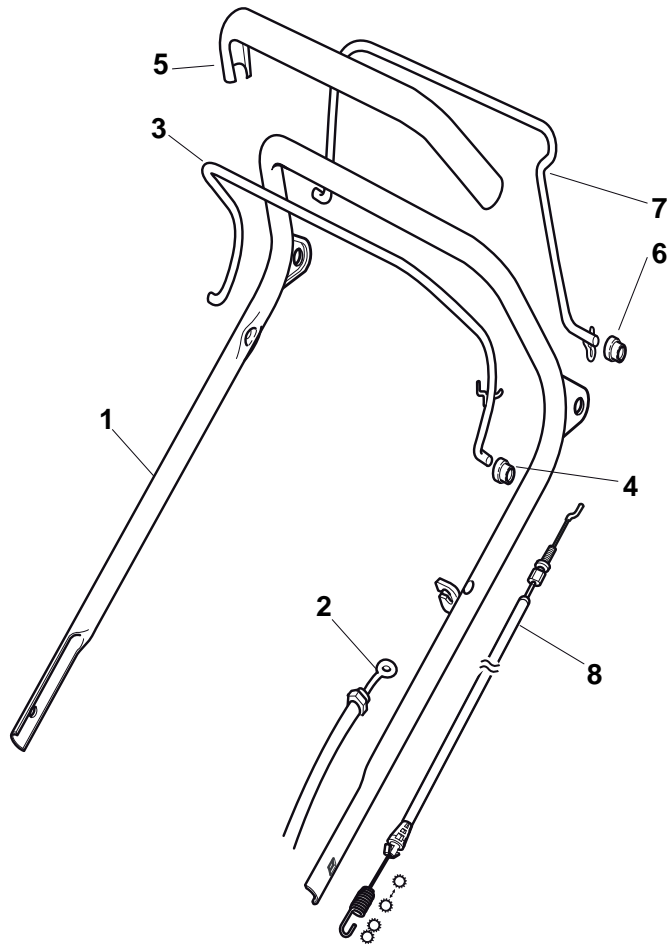
POS	PART. NO	Q.ty	DESCRIPTION	DESCRIZIONE	DESCRIPTION	BESCHREIBUNG	REMARKS
1	81002657/0	1	Deck Yellow	Chassis Giallo	Châssis Jaune	Gehäuse Gelb	
1	81002669/0	1	Deck Red	Chassis Rosso	Châssis Rouge	Gehäuse Rod	
3	22060152/0	1	Protection, Yellow	Carter, Giallo	Protection, Jaune	Schutz, Gelb	
3	22060153/1	1	Protection, Red	Carter, Rosso	Protection, Red	Schutz, Rod	
4	12728300/0	3	Screw	Vite	Vis	Schraube	
9	12728300/0	1	Screw	Vite	Vis	Schraube	
10	22108277/0	1	Rear Conveyor Assy	Convogl. Posteriore	Ens. Convoyeur Post.	Hinterleitblechsatz	
11	12735664/0	3	Screw	Vite	Vis	Schraube	
15	22109531/0	1	Cover	Coperchio	Couvercle	Deckel	
16	81008658/1	1	Outfit, Supports	Dotazione Supporti	Dotation Support	Satz, Halter	
21	22545160/0	2	Plate	Piastrina	Plaquette	Plättchen	
22	12735664/0	2	Screw	Vite	Vis	Schraube	
23	12604898/0	2	Crown Fastener	Fissatore A Corona	Fixateur A Couronne	Kronescheibe	
24	22446181/0	1	Spring	Molla	Ressort	Feder	
26	12735664/0	4	Screw	Vite	Vis	Schraube	
25	22785153/0	2	Support, Gear Box	Supporto Gruppo Trazione	Support Gr. Traction	Halter, Antrieb	
31	22399808/0	1	Knob	Manopolina	Poignée	Griff	
32	22321515/0	1	Lever, Height Adjustment	Leva Regolazione Altezza	Levier Reglage Hauteur	Hebel, Höneverstellung	
33	12735661/0	2	Screw	Vite	Vis	Schraube	
34	12728300/0	2	Screw	Vite	Vis	Schraube	
35	22735563/0	1	Sector, Height Adjustment	Settore Di Regolazione	Secteur Reglage	Sektor, Höneverstellung	
36	22140231/0	1	Deflector	Deflettore	Deflecteur	Deflektor	



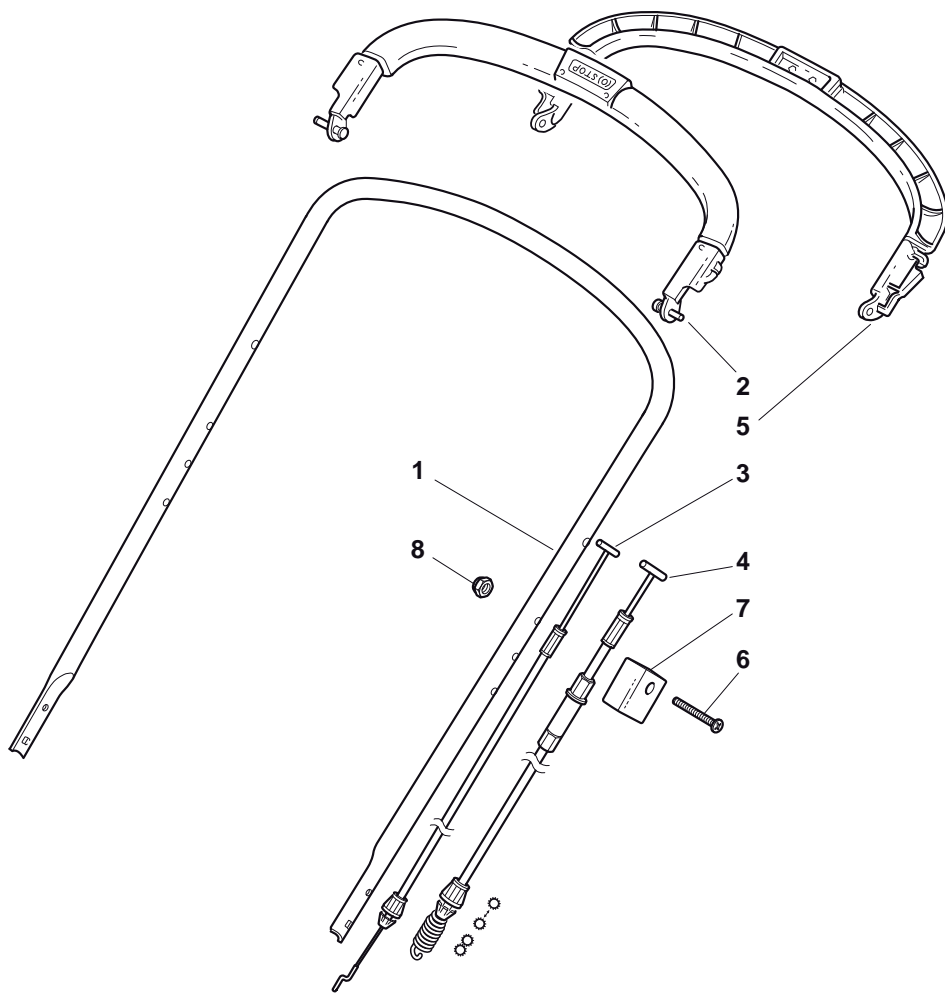
POS	PART. NO	Q.ty	DESCRIPTION	DESCRIZIONE	DESCRIPTION	BESCHREIBUNG	REMARKS
1	12820655/0	2	Screw	Vite	Vis	Schraube	
2	22551635/0	1	Plate For Handle	Piastrina Fissaggio Manico	Plaquette Fixage Mancheron	Platte Holmbefestigung	
3	22778405/0	2	Support	Supporto	Support	Halter	
4	12760515/0	2	Screw	Vite	Vis	Schraube	
5	12521350/0	2	Washer	Rosetta	Rondelle	Scheibe	
6	12521350/0	4	Washer	Rosetta	Rondelle	Scheibe	
7	22399810/0	4	Knob	Manopolina	Poignée	Griff	
8	12361005/0	4	Nut	Dado	Ecrou	Mutter	
9	81006613/0	1	Handle, Lower Part	Manico, Parte Inf	Mancheron, Partie Inferieure	Holm, Unterteil	
10	22192001/0	1	Anchor Clamp	Fascetta Ancoraggio	Collier Ancrage	Bowdenzughalter	
11	12728691/0	1	Screw	Vite	Vis	Schraube	
12	12820655/0	2	Screw	Vite	Vis	Schraube	
13	22430311/0	1	Guide Spring	Molla Guida	Ressort De Guide	Feder Führer	
14	22545137/0	2	Plate For Handle Fastening	Piastrina Fissaggio Manico	Plaquette Fixage Mancheron	Platte Holmbefestigung	



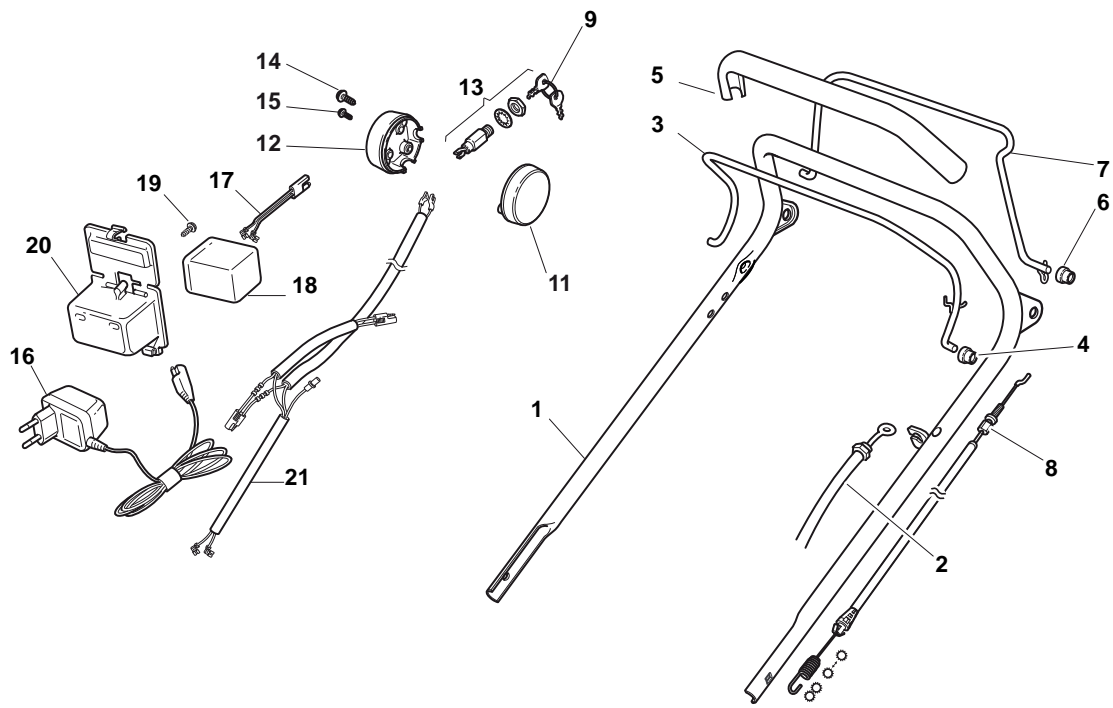
POS	PART. NO	Q.ty	DESCRIPTION	DESCRIZIONE	DESCRIPTION	BESCHREIBUNG	REMARKS
1	12820655/0	2	Screw	Vite	Vis	Schraube	
2	22551635/0	2	Plate For Handle Fastening	Piastrina Fissaggio Manico	Plaquette Fixage Mancheron	Platte Holmbefestigung	
3	81006641/0	1	Handle, Lower Part	Manico, Parte Inf	Mancheron, Partie Inferieure	Holm, Unterteil	
4	12760515/0	2	Screw	Vite	Vis	Schraube	
5	12521350/0	2	Washer	Rosetta	Rondelle	Scheibe	
6	12521350/0	4	Washer	Rosetta	Rondelle	Scheibe	
7	22399810/0	4	Knob	Manopolina	Poignée	Griff	
8	12361005/0	4	Nut	Dado	Ecrou	Mutter	
10	22192001/0	1	Anchor Clamp	Fascetta Ancoraggio	Collier Ancrage	Bowdenzughalter	
11	12728691/0	1	Screw	Vite	Vis	Schraube	
12	12820655/0	2	Screw	Vite	Vis	Schraube	
13	22430311/0	1	Guide Spring	Molla Guida	Ressort De Guide	Feder Führer	
14	22545137/0	2	Plate For Handle Fastening	Piastrina Fissaggio Manico	Plaquette Fixage Mancheron	Platte Holmbefestigung	



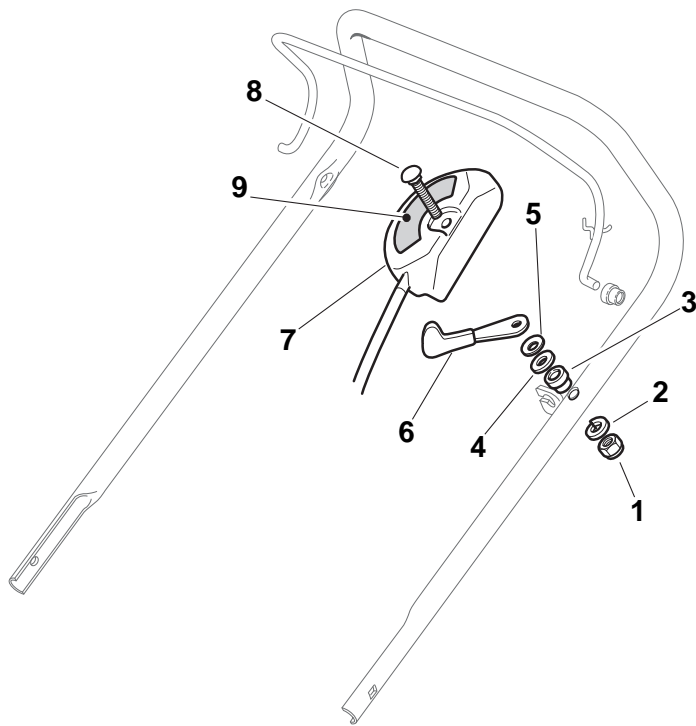
POS	PART. NO	Q.ty	DESCRIPTION	DESCRIZIONE	DESCRIPTION	BESCHREIBUNG	REMARKS
1	81007024/0	1	Handle, Upper Part	Manico, Parte Sup	Mancheron, Partie Superieure	Holm, Oberteil	
2	81000756/0	1	Cable, Thread Engine Brake	Cavo Freno Motore	Cable Frein Moteur	Kabel, Motorbremse	GGP 150cc
2	81000634/0	1	Cable, Thread Engine Brake	Cavo Freno Motore	Cable Frein Moteur	Kabel, Motorbremse	B&S
2	81000634/0	1	Cable, Thread Engine Brake	Cavo Freno Motore	Cable Frein Moteur	Kabel, Motorbremse	Honda-GGP
2	181030006/0	1	Cable, Thread Engine Brake	Cavo Freno Motore	Cable Frein Moteur	Kabel, Motorbremse	B&S DOV
3	81003291/3	1	Lever, Engine Brake	Leva Freno Motore	Levier Frein Moteur	Hebel, Motorbremse	
4	22041966/0	2	Bush	Bussola	Douille	Buchse	
5	22291050/0	1	Handgrip Black	Impugnatura Manico Nera	Poignée Noire	Handgriff Schwarz	
6	22041965/1	2	Bush	Bussola	Douille	Buchse	
7	81003288/1	1	Lever, Driving	Leva Trazione	Levier Traction	Hebel, Antrieb	
8	381030008/0	1	Cable, Rear Drive	Cavo Comando Trazione	Câble, Commande Traction	Kabel, Antrieb	



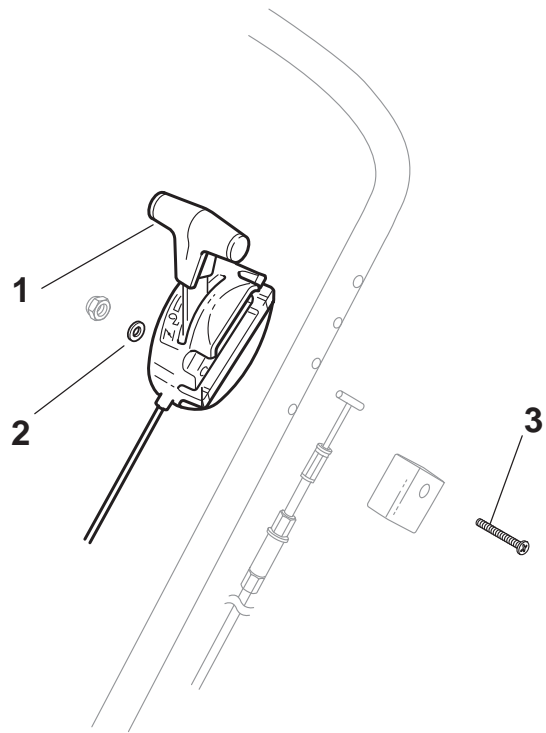
POS	PART. NO	Q.ty	DESCRIPTION	DESCRIZIONE	DESCRIPTION	BESCHREIBUNG	REMARKS
1	81006618/1	1	Handle, Upper Part	Manico, Parte Sup	Mancheron, Partie Superieure	Holm, Oberteil	
2	381003330/0	1	Lever, Engine Brake	Leva Freno Motore	Levier Frein Moteur	Hebel, Motorbremse	
3	81000686/0	1	Cable, Thread Engine Brake	Cavo Freno Motore	Cable Frein Moteur	Kabel, Motorbremse	B&S 450-500
3	81000687/0	1	Cable, Thread Engine Brake	Cavo Freno Motore	Cable Frein Moteur	Kabel, Motorbremse	B&S 675/Honda
3	81000688/0	1	Cable, Thread Engine Brake	Cavo Freno Motore	Cable Frein Moteur	Kabel, Motorbremse	B&S 625
3	81000688/0	1	Cable, Thread Engine Brake	Cavo Freno Motore	Cable Frein Moteur	Kabel, Motorbremse	GGP
3	181000777/0	1	Cable, Thread Engine Brake	Cavo Freno Motore	Cable Frein Moteur	Kabel, Motorbremse	B&S DOV
3	181000777/0	1	Bush	Bussola	Douille	Buchse	GGP 150cc
4	81000697/0	1	Cable, Rear Drive	Cavo Comando Trazione	Câble, Commande Traction	Kabel, Antrieb	
5	81003297/1	1	Driving Lever	Leva Trazione	Levier Traction	Antriebhebel	
6	12727783/0	1	Screw	Vite	Vis	Schraube	
7	22551640/0	1	Plate	Piastrina	Plaquette	Plättchen	
8	12154510/0	1	Nut	Dado	Ecrou	Mutter	



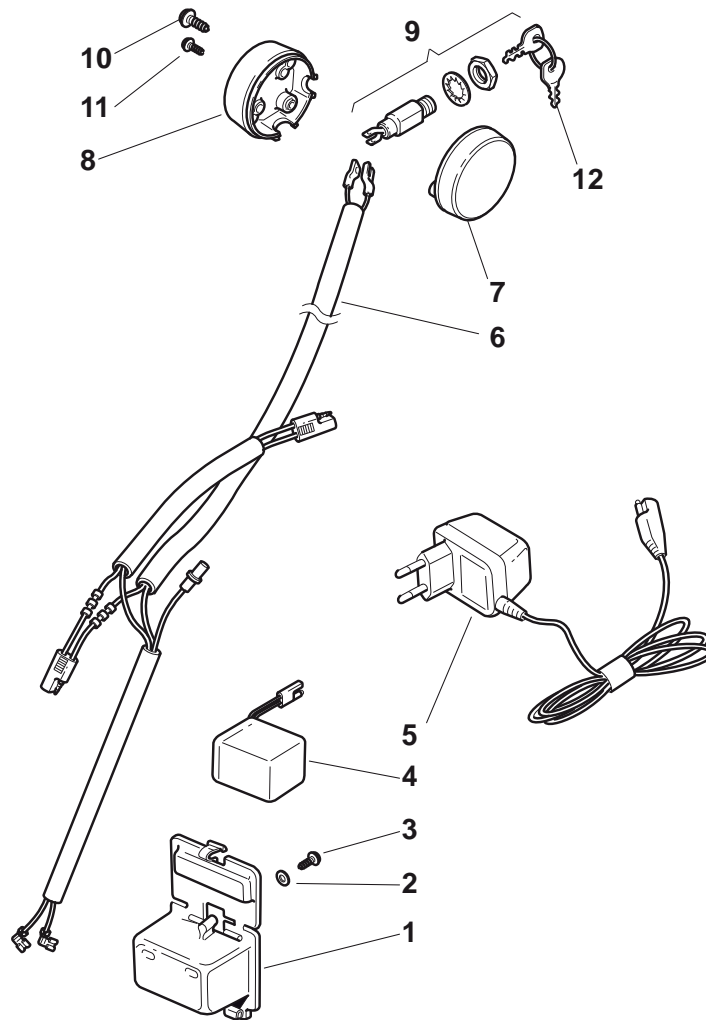
POS	PART. NO	Q.ty	DESCRIPTION	DESCRIZIONE	DESCRIPTION	BESCHREIBUNG	REMARKS
1	81006863/0	1	Handle, Upper Part	Manico, Parte Sup	Mancheron, Partie Superieure	Holm, Oberteil	
2	81000756/0	1	Cable, Thread Engine Brake	Cavo Freno Motore	Cable Frein Moteur	Kabel, Motorbremse	GGP 150cc
2	81000634/0	1	Cable, Thread Engine Brake	Cavo Freno Motore	Cable Frein Moteur	Kabel, Motorbremse	B&S
2	81000634/0	1	Cable, Thread Engine Brake	Cavo Freno Motore	Cable Frein Moteur	Kabel, Motorbremse	Honda
2	181030006/0	1	Cable, Thread Engine Brake	Cavo Freno Motore	Cable Frein Moteur	Kabel, Motorbremse	B&S DOV
3	81003291/3	1	Lever, Engine Brake	Leva Freno Motore	Levier Frein Moteur	Hebel, Motorbremse	
4	22041966/0	2	Bush	Bussola	Douille	Buchse	
5	22291050/0	1	Handgrip Black	Impugnatura Manico Nera	Poignée Noire	Handgriff Schwarz	
6	22041965/1	2	Bush	Bussola	Douille	Buchse	
7	81003288/1	1	Lever, Driving	Leva Trazione	Levier Traction	Hebel, Antrieb	
8	381030008/0	1	Cable, Rear Drive	Cavo Comando Trazione	Câble, Commande Traction	Kabel, Antrieb	
9	18210016/1	1	Starting Key	Chiave Avviamento	Clef A Demarrage	Schlüssel Für Start	
11	22722801/0	1	L Protection	Protezione Sx	Protection G	Linke Schutz	
12	22722800/0	1	R Protection	Protezione Dx	Protection D	Rechte Schutz	
13	18450050/0	1	Switch	Interruttore	Interrupteur	Schalter	
14	12728300/0	2	Screw	Vite	Vis	Schraube	
15	12728691/0	1	Screw	Vite	Vis	Schraube	
16	18204120/0	1	Battery Charger	Carica Batteria	Chargeur De Batterie	Ladgerät	CE
16	18204121/0	1	Battery Charger	Carica Batteria	Chargeur De	Ladgerät	UK
17	122063002/2	1	Cable, Start	Cavo Avviamento	Cable Démarrage	Kabel, Start	
18	18120053/0	1	Battery	Batteria	Batterie	Batterie	
19	12728691/0	1	Screw	Vite	Vis	Schraube	
20	22109533/0	1	Battery Box	Contentore Batteria	Conteneur De Batterie	Batterie Behälter	
21	18204196/0	1	Cable, Start	Cavo Avviamento	Cable Démarrage	Kabel, Start	



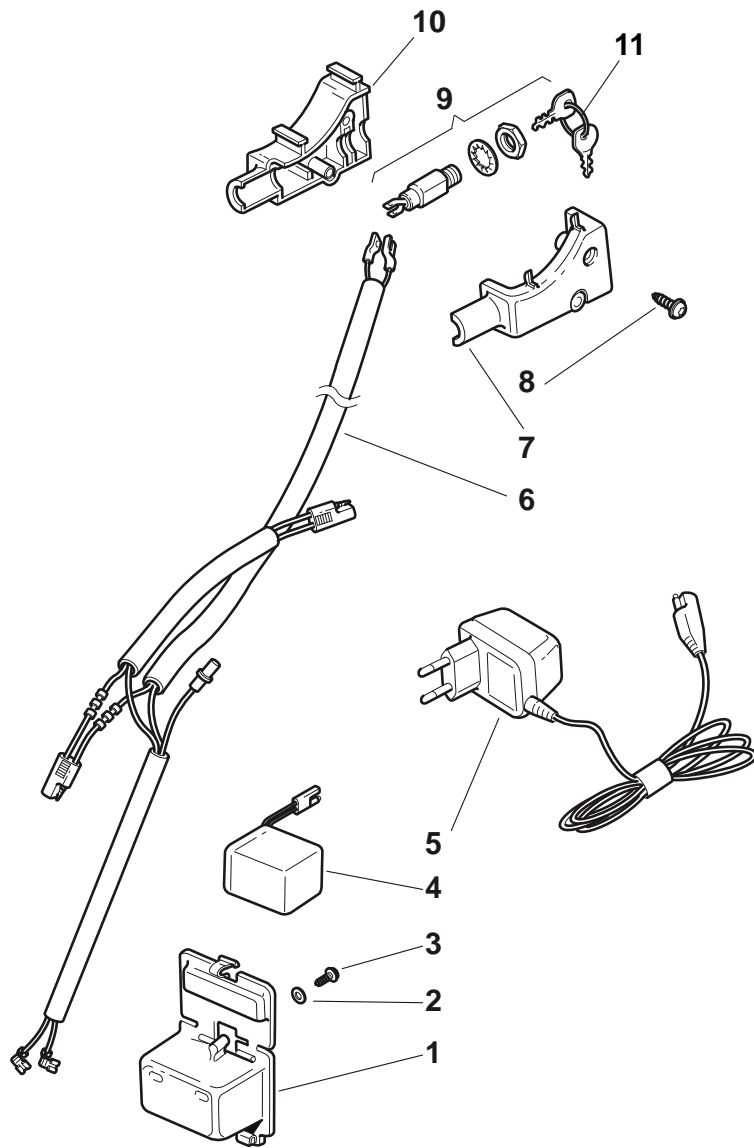
POS	PART. NO	Q.ty	DESCRIPTION	DESCRIZIONE	DESCRIPTION	BESCHREIBUNG	REMARKS
1	12291000/0	1	Nut	Dado	Ecrou	Mutter	
2	12581500/0	1	Grower	Grower	Grower	Federring	
3	22171005/0	1	Spacer	Distanziale	Entretoise	Distanzring	
4	12521360/0	1	Washer	Rosetta	Rondelle	Scheibe	
5	12508100/0	1	Spring Washer	Rosetta Elastica	Rondelle Elastique	Elastische Scheibe	
6	81007279/1	1	Lever, Throttle	Leva, Acceleratore	Levier, Accelérateur	Hebel, Beschleuniger	B&S-GGP-Honda
6	81007220/0	1	Lever, Throttle	Leva, Acceleratore	Levier, Accelérateur	Hebel, Beschleuniger	B&S 450-500/GGP 150cc
7	81007080/0	1	Throttle Cable	Cavo Acceleratore	Cable, Accelérateur	Gashebel Kabel	
8	12815000/0	1	Screw	Vite	Vis	Schraube	
9	14356703/0	1	Label	Etichetta	Etiquette	Etikette	Honda
9	114356905/0	1	Label	Etichetta	Etiquette	Etikette	B&S DOV
9	14356702/0	1	Label	Etichetta	Etiquette	Etikette	GGP
9	114364264/0	1	Label	Etichetta	Etiquette	Etikette	GGP AVS
9	14356702/0	1	Label	Etichetta	Etiquette	Etikette	Honda
9	114356905/0	1	Label	Etichetta	Etiquette	Etikette	Honda AC



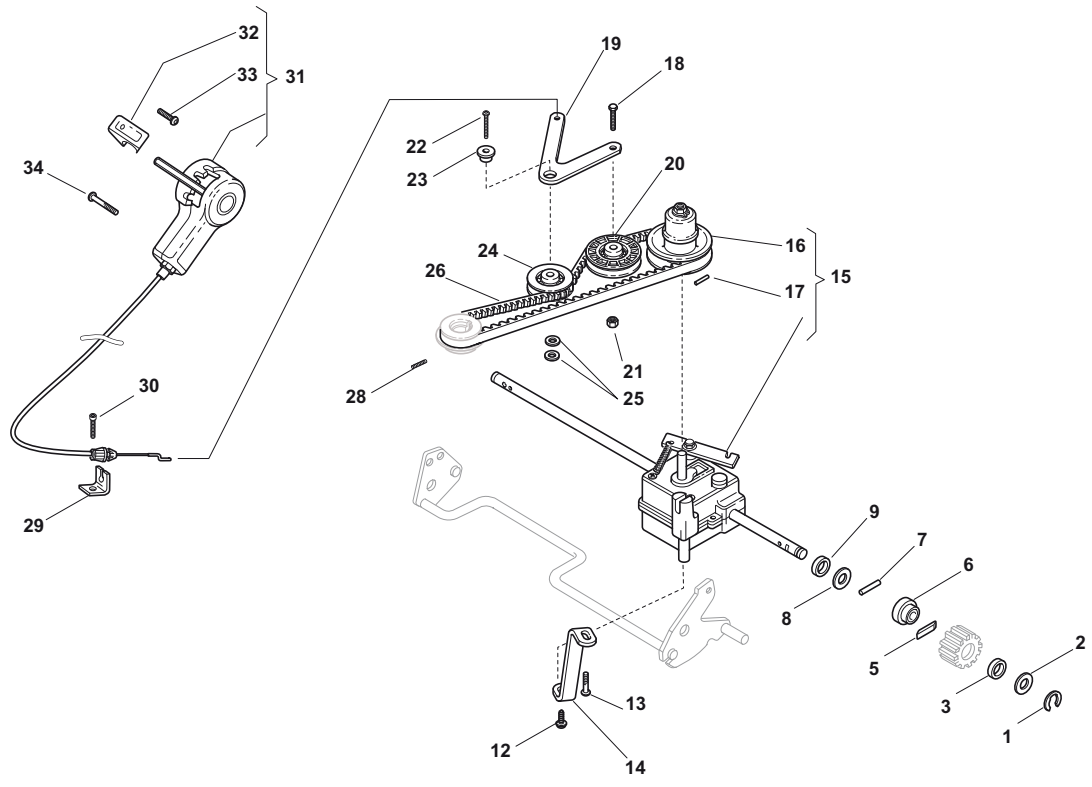
POS	PART. NO	Q.ty	DESCRIPTION	DESCRIZIONE	DESCRIPTION	BESCHREIBUNG	REMARKS
1	81007128/0	1	Throttle Cable	Cavo Acceleratore	Cable, Accelérateur	Gashebel Kabel	B&S Deluxe-GGP
1	81007126/0	1	Throttle Cable	Cavo Acceleratore	Cable, Accelérateur	Gashebel Kabel	Honda
1	181007127/1	1	Throttle Cable	Cavo Acceleratore	Cable, Accelérateur	Gashebel Kabel	B&S Capro-GGP
2	12523040/0	1	Washer	Rosetta	Rondelle	Scheibe	
3	12727787/0	1	Screw	Vite	Vis	Schraube	



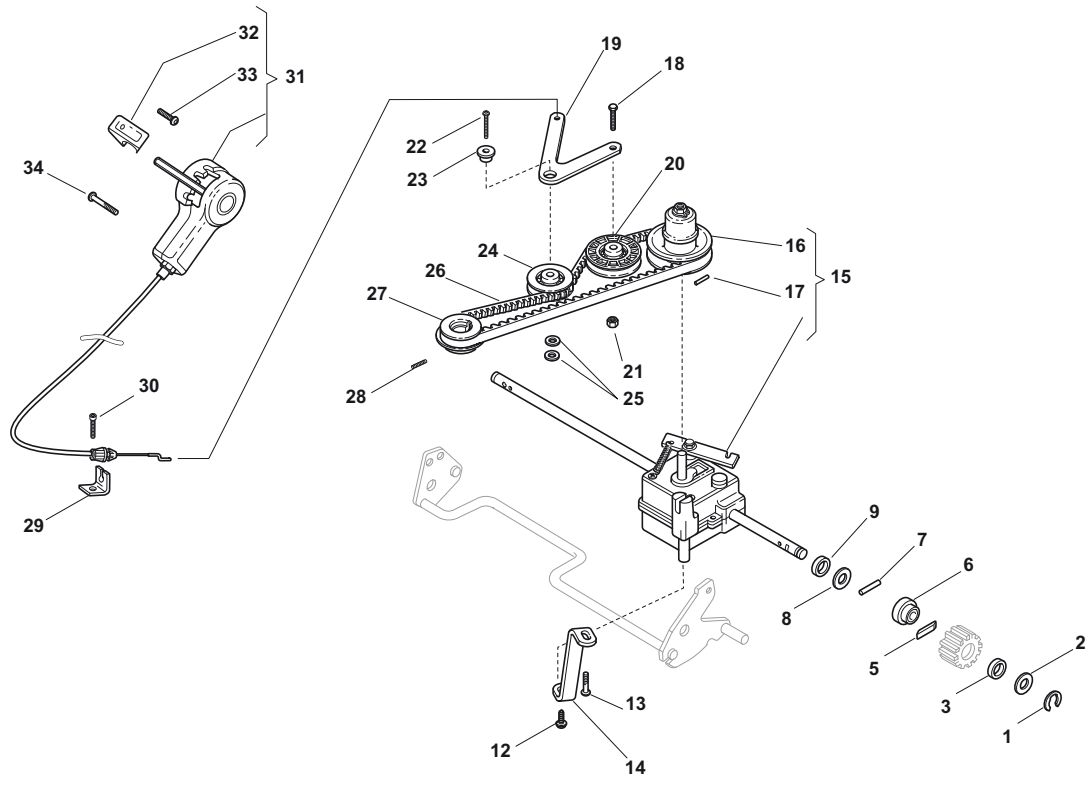
POS	PART. NO	Q.ty	DESCRIPTION	DESCRIZIONE	DESCRIPTION	BESCHREIBUNG	REMARKS
1	22109533/0	1	Battery Box	Contenitore Batteria	Conteneur De Batterie	Batterie Behälter	
2	12523040/0	1	Washer	Rosetta	Rondelle	Scheibe	
3	12728691/0	1	Screw	Vite	Vis	Schraube	
4	18120052/0	1	Battery	Batteria	Batterie	Batterie	
5	18204120/0	1	Battery Charger	Carica Batteria	Chargeur De Batterie	Ladgerät	CE
5	18204121/0	1	Battery Charger	Carica Batteria	Chargeur De	Ladgerät	UK
6	18204195/0	1	Cable, Start	Cavo Avviamento	Cable Démarrage	Kabel, Start	
7	22722801/0	1	L Protection	Protezione Sx	Protection G	Linke Schutz	
8	22722800/0	1	R Protection	Protezione Dx	Protection D	Rechte Schutz	
9	18450050/0	1	Switch	Interruttore	Interrupteur	Schalter	
10	12728702/0	2	Screw	Vite	Vis	Schraube	
11	12728691/0	1	Screw	Vite	Vis	Schraube	
12	18210016/1	1	Starting Key	Chiave Avviamento	Clef A Demarrage	Schlüssel Für Start	



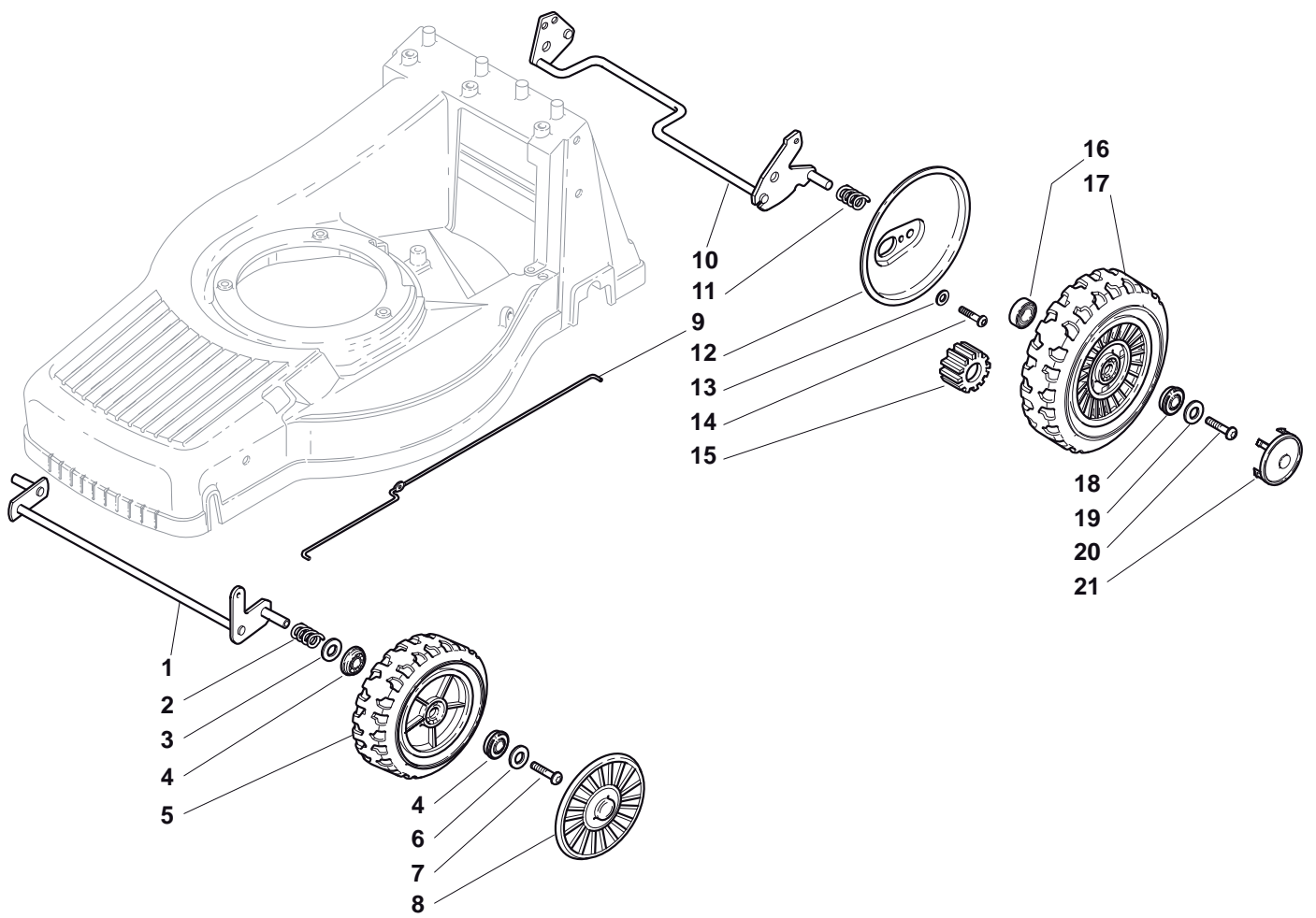
POS	PART. NO	Q.ty	DESCRIPTION	DESCRIZIONE	DESCRIPTION	BESCHREIBUNG	REMARKS
1	22109533/0	1	Battery Box	Contenitore Batteria	Conteneur De Batterie	Batterie Behälter	
2	12523040/0	1	Washer	Rosetta	Rondelle	Scheibe	
3	12728691/0	1	Screw	Vite	Vis	Schraube	
4	18120052/0	1	Battery	Batteria	Batterie	Batterie	
5	18204120/0	1	Battery Charger	Carica Batteria	Chargeur De Batterie	Ladgerät	CE
5	18204121/0	1	Battery Charger	Carica Batteria	Chargeur De	Ladgerät	UK
6	18204195/0	1	Cable, Start	Cavo Avviamento	Cable Démarrage	Kabel, Start	
7	22722805/1	1	L Protection	Protezione Sx	Protection G	Linke Schutz	
8	12728300/0	1	Screw	Vite	Vis	Schraube	
9	18450050/0	1	Switch	Interruttore	Interrupteur	Schalter	
10	22722804/1	1	R Protection	Protezione Dx	Protection D	Rechte Schutz	
11	18210016/1	1	Starting Key	Chiave Avviamento	Clef A Demarrage	Schlüssel Für Start	



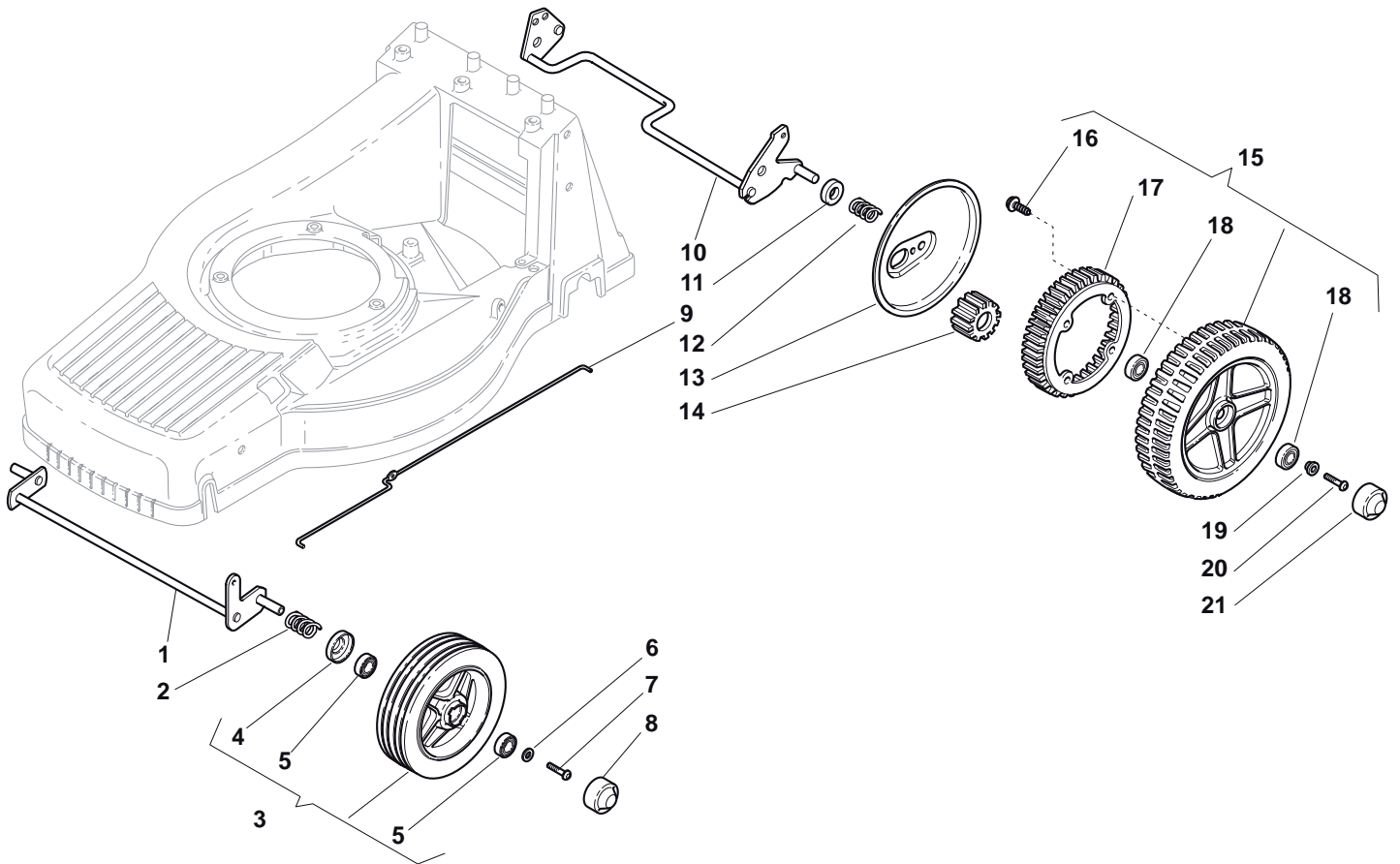
POS	PART. NO	Q.ty	DESCRIPTION	DESCRIZIONE	DESCRIPTION	BESCHREIBUNG	REMARKS
1	12000957/0	2	Benzing	Anello Benzing	Anneau Benzing	Benzing	
2	12520032/0	2	Washer	Rosetta	Rondelle	Scheibe	
3	22160520/0	2	Dust Cover	Disco Parapolvere	Protege-Poussiere	Staubschuttscheibe	
5	22076645/0	2	Key	Chiave	Clef	Schlüssel	
6	22170630/0	2	Spacer	Distanziale	Entretoise	Distanzring	
7	22753002/0	2	Pin	Spina	Goupille	Stift	
8	12520032/0	2	Washer	Rosetta	Rondelle	Scheibe	
9	19035152/0	2	Or Ring	Anello Or	Bague Or	Ring Or	
12	12728300/0	1	Screw	Vite	Vis	Schraube	
13	12735664/0	1	Screw	Vite	Vis	Schraube	
14	22778409/0	1	Support	Supporto	Support	Halter	
15	81003086/0	1	Gear Box	Gruppo Trazione	Groupe Traction	Antrieb	
16	22601916/0	1	Pulley	Puleggia	Poulie	Riemenscheibe	
17	12645700/0	1	Pin	Spina Elastica	Goupille	Stift	
18	12674550/0	1	Screw	Vite	Vis	Schraube	
19	22320001/0	1	Driving Lever	Leva Trazione	Levier Traction	Antriebhebel	
20	22601914/0	1	Pulley	Puleggia	Poulie	Riemenscheibe	
21	12154510/0	1	Nut	Dado	Ecrou	Mutter	
22	12735669/0	1	Screw	Vite	Vis	Schraube	
23	22671656/0	1	Washer	Rondella	Rondelle	Scheibe	
24	22601915/0	1	Pulley	Puleggia	Poulie	Riemenscheibe	
25	12523040/0	2	Washer	Rosetta	Rondelle	Scheibe	
26	35064378/0	1	Belt	Cinghia	Courroire	Riemen	
28	12714312/0	1	Dowel	Grano	Grain	Stift	
29	22806619/0	1	Support	Supporto	Support	Halter	
30	12735664/0	1	Screw	Vite	Vis	Schraube	
31	81007097/0	1	Cable, Speed Drive Control	Cavo Comando Marce	Cable, Comm. Changement Vitesse	Kabel, Gangeschaltun	
32	22399809/0	1	Knob	Manopolina	Poignée	Griff	
33	12728300/0	2	Screw	Vite	Vis	Schraube	
34	12728702/0	2	Screw	Vite	Vis	Schraube	



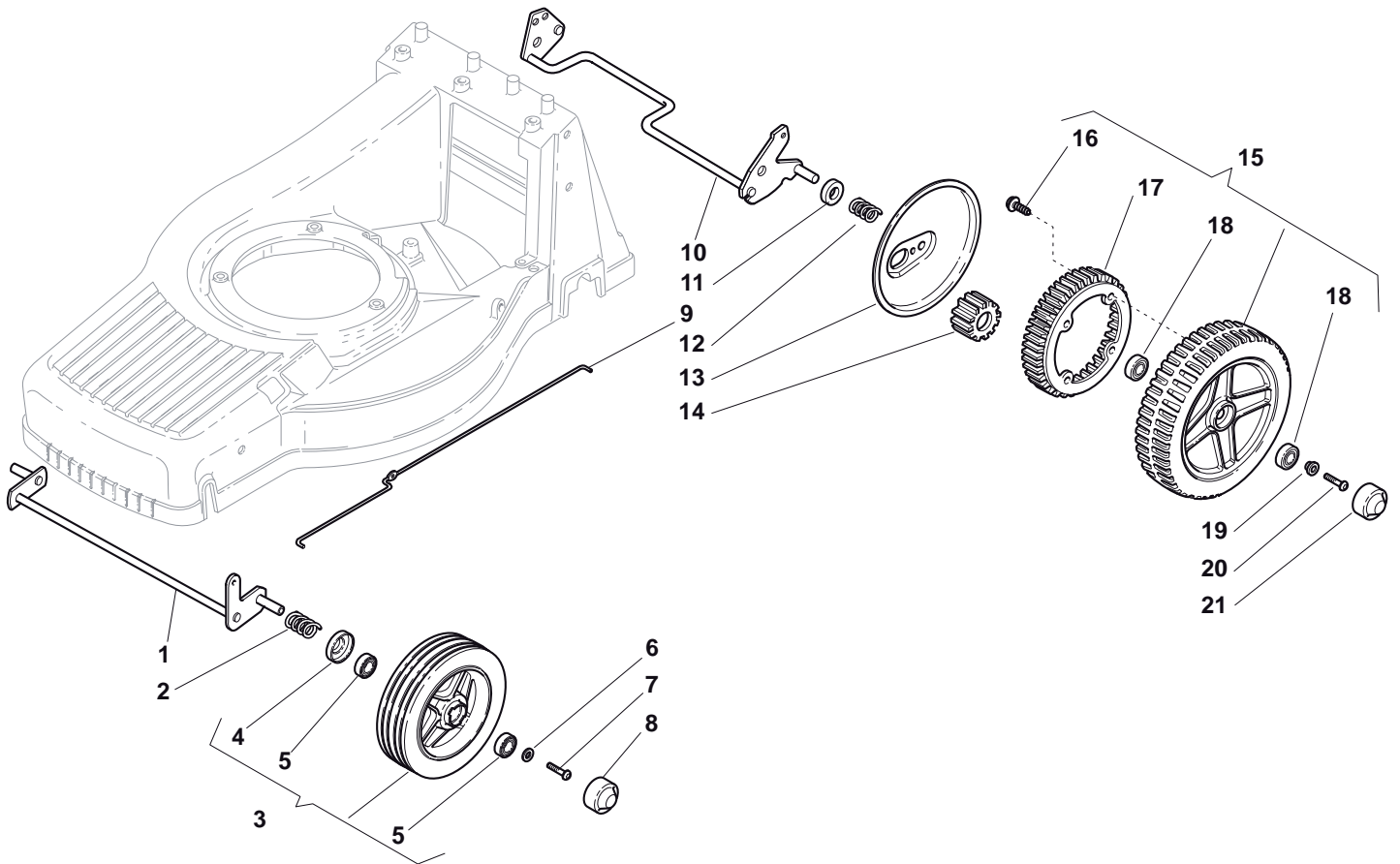
POS	PART. NO	Q.ty	DESCRIPTION	DESCRIZIONE	DESCRIPTION	BESCHREIBUNG	REMARKS
1	12000957/0	2	Benzing	Anello Benzing	Anneau Benzing	Benzing	
2	12520032/0	2	Washer	Rosetta	Rondelle	Scheibe	
3	22160520/0	2	Dust Cover	Disco Parapolvere	Protege-Poussiere	Staubschuttscheibe	
5	22076645/0	2	Key	Chiave	Clef	Schlüssel	
6	22170630/0	2	Spacer	Distanziale	Entretoise	Distanzring	
7	22753002/0	2	Pin	Spina	Goupille	Stift	
8	12520032/0	2	Washer	Rosetta	Rondelle	Scheibe	
8	12520032/0	2	Washer	Rosetta	Rondelle	Scheibe	
9	19035152/0	2	Or Ring	Anello Or	Bague Or	Ring Or	
12	12728300/0	1	Screw	Vite	Vis	Schraube	
13	12735664/0	1	Screw	Vite	Vis	Schraube	
14	22778409/0	1	Support	Supporto	Support	Halter	
15	81003086/0	1	Gear Box	Gruppo Trazione	Groupe Traction	Antrieb	
16	22601916/0	1	Pulley	Puleggia	Poulie	Riemenscheibe	
17	12645700/0	1	Pin	Spina Elastica	Goupille	Stift	
18	12674550/0	1	Screw	Vite	Vis	Schraube	
19	22320003/0	1	Driving Lever	Leva Trazione	Levier Traction	Antriebhebel	
20	22601914/0	1	Pulley	Puleggia	Poulie	Riemenscheibe	
21	12154510/0	1	Nut	Dado	Ecrou	Mutter	
22	12735669/0	1	Screw	Vite	Vis	Schraube	
23	22671656/0	1	Washer	Rondella	Rondelle	Scheibe	
24	22601915/0	1	Pulley	Puleggia	Poulie	Riemenscheibe	
25	12523040/0	2	Washer	Rosetta	Rondelle	Scheibe	
26	35064378/0	1	Belt	Cinghia	Courroire	Riemen	
27	22601917/0	1	Pulley, Crankshaft Ø 22	Puleggia, Albero Motore Ø 22	Poulie, Arbre Moteur Ø 22	Riemenscheibe, Motorwelle Ø 22	GGP-Honda
27	122601920/0	1	Pulley, Crankshaft Ø 25	Puleggia, Albero Motore Ø 25	Poulie, Arbre Moteur Ø 25	Riemenscheibe, Motorwelle Ø 25	B&S
28	12714312/0	1	Dowel	Grano	Grain	Stift	
29	22806619/0	1	Support	Supporto	Support	Halter	
30	12735664/0	1	Screw	Vite	Vis	Schraube	
31	81007097/0	1	Cable, Speed Drive Control	Cavo Comando Marce	Cable, Comm. Changement Vitesse	Kabel, Gängeschaltun	
32	22399809/0	1	Knob	Manopolina	Poignée	Griff	
33	12728300/0	2	Screw	Vite	Vis	Schraube	
34	12728702/0	2	Screw	Vite	Vis	Schraube	



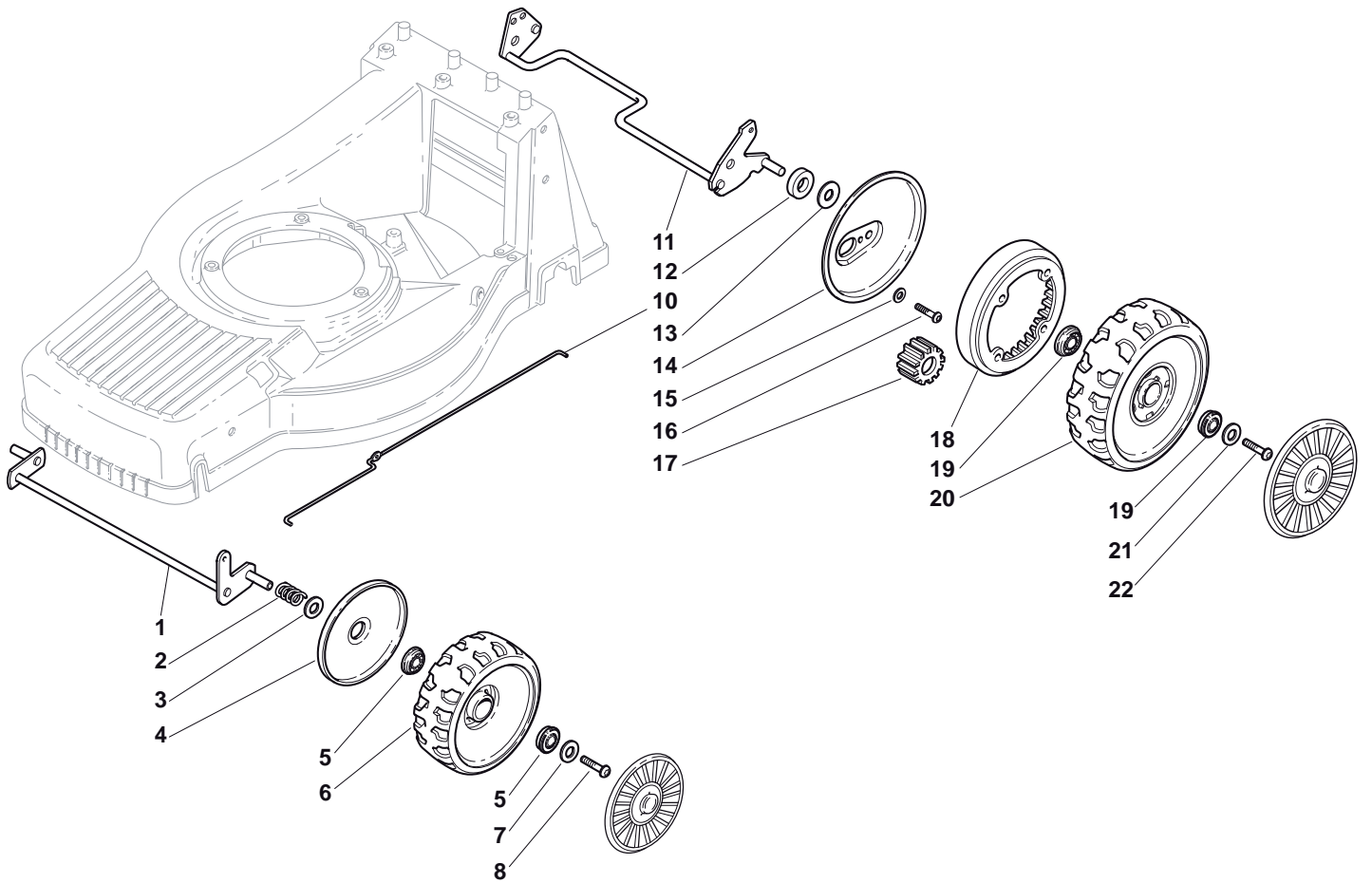
POS	PART. NO	Q.ty	DESCRIPTION	DESCRIZIONE	DESCRIPTION	BESCHREIBUNG	REMARKS
1	81002845/0	1	Axle, Front Wheels	Asse Ruote Anteriore	Axe Roues Avant	Achse, Vorderrad	
2	22430210/0	2	Spring	Molla	Ressort	Feder	
3	12521370/0	2	Washer	Rosetta	Rondelle	Scheibe	
4	22122200/0	4	Bearing	Cuscinetto	Coussinet	Lager	
5	81007351/0	2	Wheel Ø 170	Ruota Ø 170	Roue Ø 170	Rad Ø 170	
6	12521460/0	2	Washer	Rosetta	Rondelle	Scheibe	
7	112735662/1	2	Screw	Vite	Vis	Schraube	
8	22110347/0	2	Hub Cap	Coprizzo	Couvre-Moyeu	Radkappe	
9	22033322/0	1	Rod, Height Adjustment Control	Asta Comando Regol.	Tige Commande Reglage Hauteur	Stange, Höheverstellung	
10	81002823/0	1	Axle, Rear Wheels	Asse Ruote Posteriore	Axe Roues Arriere	Achse, Hinterrad	
11	22430215/0	2	Spring	Molla	Ressort	Feder	
12	22600121/0	2	Protection, Wheel	Prot. Ruote	Protection Roue	Schütz, Räder	
13	12521460/0	2	Washer	Rosetta	Rondelle	Scheibe	
14	112735662/1	2	Screw	Vite	Vis	Schraube	
15	22570125/0	2	Pinion	Pignone	Pignon	Ritzel	
16	19216038/0	2	Bearing	Cuscinetto	Coussinet	Lager	Only 554 for Models
17	81007361/0	2	Wheel Ø 190	Ruota Ø 190	Roue Ø190	Rad Ø 190	
17	81007362/0	2	Wheel Ø 215	Ruota Ø 215	Roue Ø 215	Rad Ø 215	
18	22122201/0	4	Bearing	Cuscinetto	Coussinet	Lager	
19	12521460/0	2	Washer	Rosetta	Rondelle	Scheibe	
20	112735662/1	2	Screw	Vite	Vis	Schraube	
21	22110384/0	2	Hub Cap	Coprizzo	Couvre-Moyeu	Radkappe	



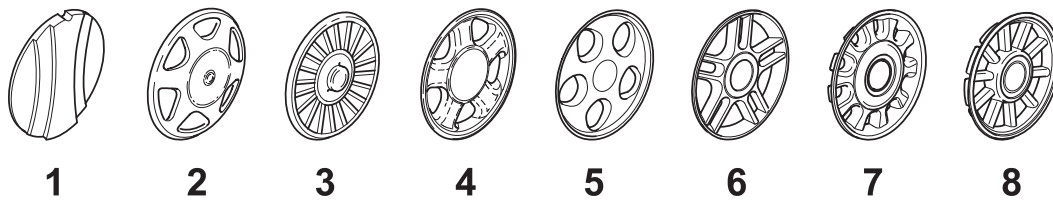
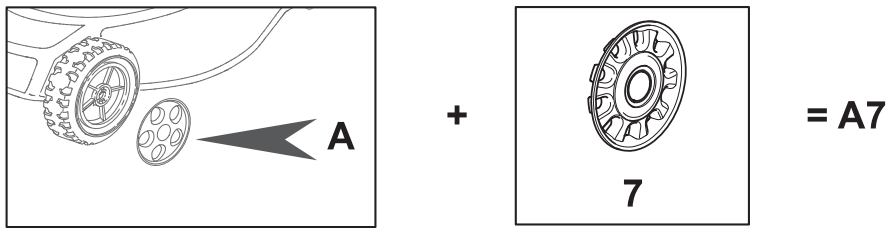
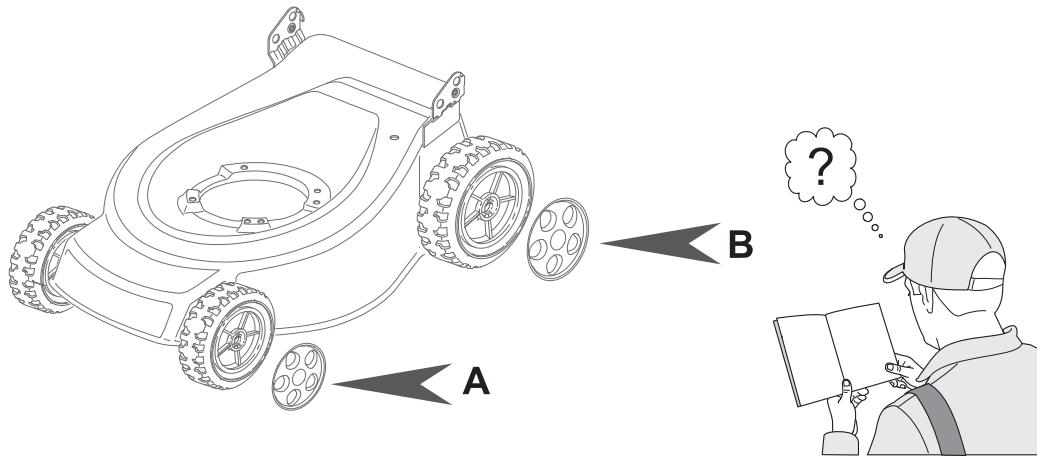
POS	PART. NO	Q.ty	DESCRIPTION	DESCRIZIONE	DESCRIPTION	BESCHREIBUNG	REMARKS
1	81002821/0	1	Axle, Front Wheels	Asse Ruote Anteriore	Axe Roues Avant	Achse, Vorderrad	
2	22430210/0	2	Spring	Molla	Ressort	Feder	
3	381007364/0	2	Wheel Ø 190	Ruota Ø 190	Roue Ø 190	Rad Ø 190	
4	22160522/0	2	Dust Cover	Disco Parapolvere	Protege-Poussiere	Staubschutscheibe	
5	19216039/0	4	Bearing	Cuscinetto	Coussinet	Lager	
6	12521460/0	2	Washer	Rosetta	Rondelle	Scheibe	
7	112735662/1	2	Screw	Vite	Vis	Schraube	
8	22110379/0	2	Hub Cap	Coprizzo	Couvre-Moyeu	Radkappe	
9	22033322/0	1	Rod, Height Adjustment Control	Asta Comando Regol.	Tige Commande Reglage Hauteur	Stange, Höheverstellung	
10	81002823/0	1	Axle, Rear Wheels	Asse Ruote Posteriore	Axe Roues Arriere	Achse, Hinterrad	
11	22170810/0	2	Spacer	Distanziale	Entretoise	Distanzring	
12	22430215/0	2	Spring	Molla	Ressort	Feder	
13	22600127/0	2	Protection, Wheel	Prot. Ruote	Protection Roue	Schütz, Räder	
14	22570126/0	2	Pinion	Pignone	Pignon	Ritzel	
15	81007367/0	2	Wheel Ø 205	Ruota Ø 205	Roue Ø 205	Rad Ø 205	
15	81007368/0	2	Wheel Ø 215	Ruota Ø 215	Roue Ø 215	Rad Ø 215	
16	12728210/0	8	Screw	Vite	Vis	Schraube	
17	22120108/0	2	Ring Gear	Corona Trasinamento	Couronne	Kranz	
18	19216038/0	4	Bearing	Cuscinetto	Coussinet	Lager	
19	22671655/0	2	Washer	Rosetta	Rondelle	Scheibe	
20	12735592/0	2	Screw	Vite	Vis	Schraube	
21	22110380/0	2	Hub Cap	Coprizzo	Couvre-Moyeu	Radkappe	



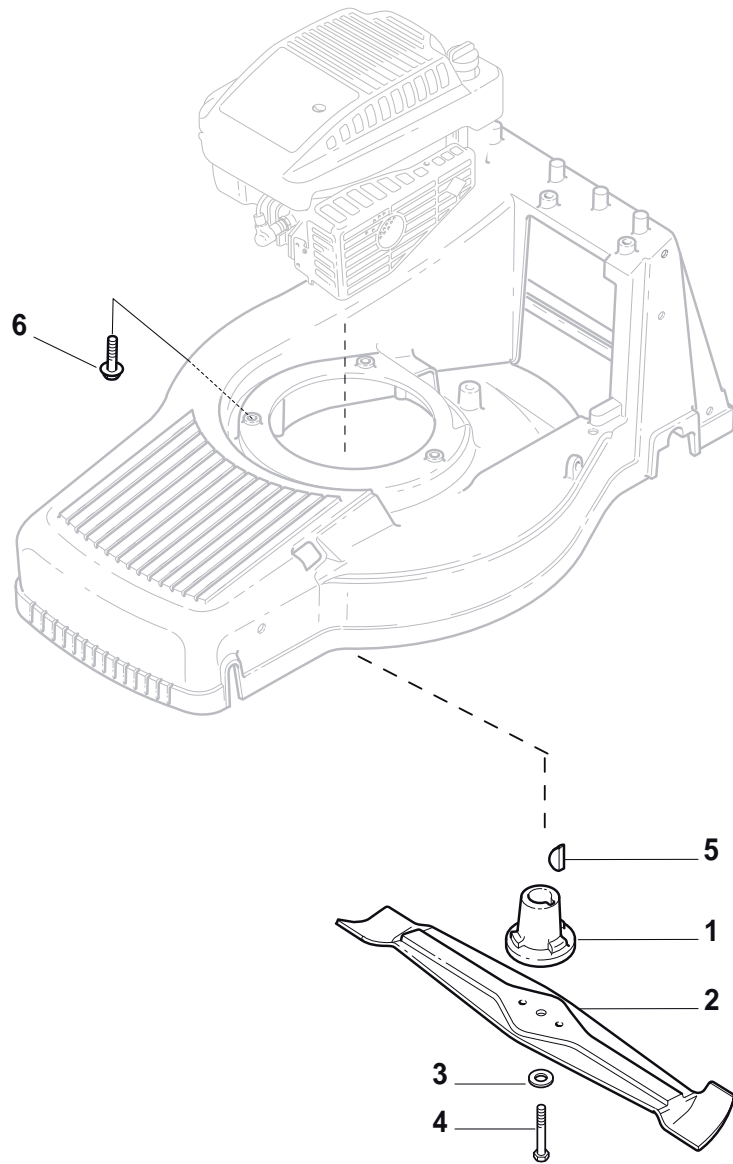
POS	PART. NO	Q.ty	DESCRIPTION	DESCRIZIONE	DESCRIPTION	BESCHREIBUNG	REMARKS
1	81002821/0	1	Axle, Front Wheels	Asse Ruote Anteriore	Axe Roues Avant	Achse, Vorderrad	
2	22430210/0	2	Spring	Molla	Ressort	Feder	
3	81007363/0	2	Wheel Ø 175	Ruota Ø 175	Roue Ø 175	Rad Ø 175	
4	22160522/0	2	Dust Cover	Disco Parapolvere	Protege-Poussiere	Staubschuttscheibe	
5	19216039/0	4	Bearing	Cuscinetto	Coussinet	Lager	
6	12521460/0	2	Washer	Rosetta	Rondelle	Scheibe	
7	112735662/1	2	Screw	Vite	Vis	Schraube	
8	22110379/0	2	Hub Cap	Coprizzo	Couvre-Moyeu	Radkappe	
9	22033322/0	1	Rod, Height Adjustment Control	Asta Comando Regol.	Tige Commande Reglage Hauteur	Stange, Höheverstellung	
10	81002823/0	1	Axle, Rear Wheels	Asse Ruote Posteriore	Axe Roues Arriere	Achse, Hinterrad	
11	22170810/0	2	Spacer	Distanziale	Entretoise	Distanzring	
12	22430215/0	2	Spring	Molla	Ressort	Feder	
13	22600127/0	2	Protection, Wheel	Prot. Ruote	Protection Roue	Schütz, Räder	
14	22570126/0	2	Pinion	Pignone	Pignon	Ritzel	
15	81007367/0	2	Wheel Ø 205	Ruota Ø 205	Roue Ø 205	Rad Ø 205	
15	81007368/0	2	Wheel Ø 215	Ruota Ø 215	Roue Ø 215	Rad Ø 215	
16	12728210/0	8	Screw	Vite	Vis	Schraube	
17	22120108/0	2	Ring Gear	Corona Trascinamento	Couronne	Kranz	
18	19216038/0	4	Bearing	Cuscinetto	Coussinet	Lager	
19	22671655/0	2	Washer	Rosetta	Rondelle	Scheibe	
20	12735592/0	2	Screw	Vite	Vis	Schraube	
21	22110380/0	2	Hub Cap	Coprizzo	Couvre-Moyeu	Radkappe	



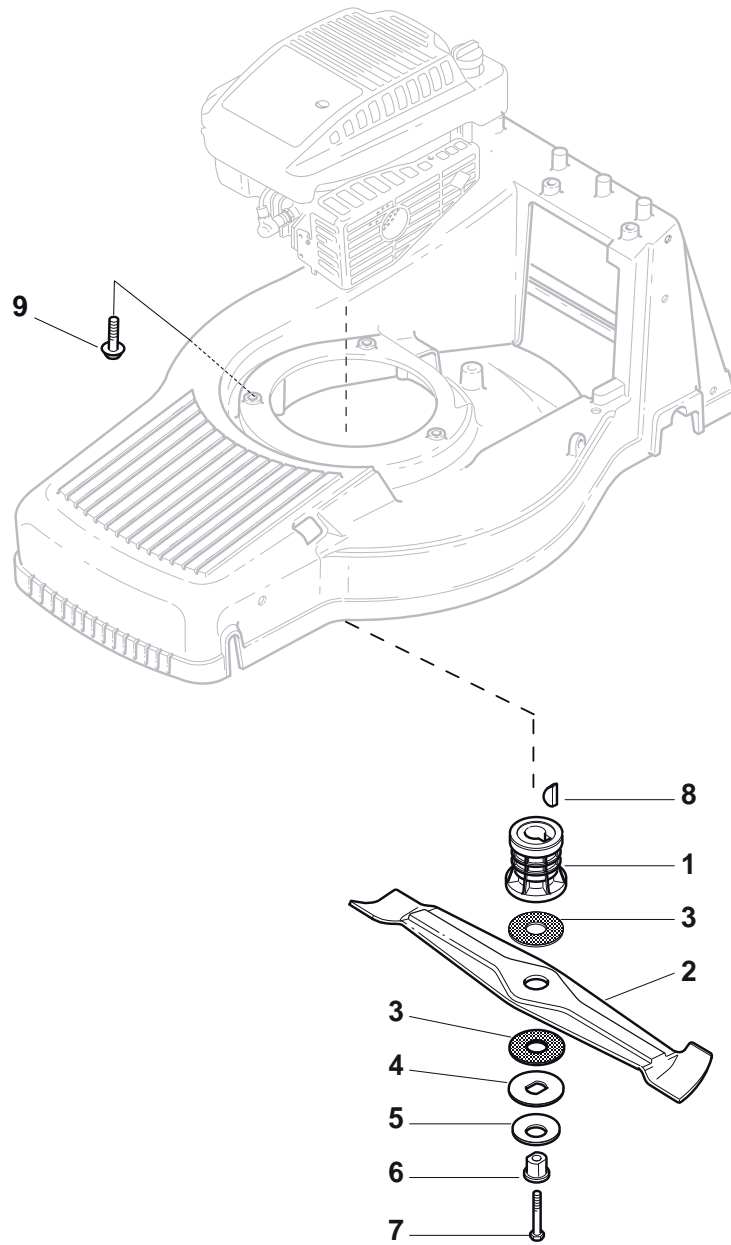
POS	PART. NO	Q.ty	DESCRIPTION	DESCRIZIONE	DESCRIPTION	BESCHREIBUNG	REMARKS
1	81002843/0	1	Axle, Front Wheels	Asse Ruote Anteriore	Axe Roues Avant	Achse, Vorderrad	
2	22430215/0	2	Spring	Molla	Ressort	Feder	
3	12521370/0	2	Washer	Rosetta	Rondelle	Scheibe	
4	22600095/0	2	Protection, Wheel	Prot. Ruote	Protection Roue	Schütz, Räder	
5	22122200/0	4	Bearing	Cuscinetto	Coussinet	Lager	
6	22686091/1	2	Wheel Ø 165	Ruota Ø 165	Roue Ø 165	Rad Ø 165	
7	12521460/0	2	Washer	Rosetta	Rondelle	Scheibe	
8	112735662/1	2	Screw	Vite	Vis	Schraube	
10	22033321/0	1	Rod, Height Adjustment Control	Asta Comando Regol.	Tige Commande Reglage Hauteur	Stange, Höheverstellung	
11	81002841/0	1	Axle, Rear Wheels	Asse Ruote Posteriore	Axe Roues Arriere	Achse, Hinterrad	
12	22170815/0	2	Spacer	Distanziale	Entretoise	Distanzring	
13	22675100/0	2	Washer	Rosetta	Rondelle	Scheibe	
14	22600121/0	2	Protection, Wheel	Prot. Ruote	Protection Roue	Schütz, Räder	
15	12521460/0	2	Washer	Rosetta	Rondelle	Scheibe	
16	112735662/1	1	Screw	Vite	Vis	Schraube	
17	22570125/0	2	Pinion	Pignone	Pignon	Ritzel	
18	22120109/0	2	Sprocket	Ruota Dentata	Couronne	Zahnkettenrad	
19	22122200/0	4	Bearing	Cuscinetto	Coussinet	Lager	
20	22686093/0	2	Wheel Ø 190	Ruota Ø 190	Roue Ø190	Rad Ø 190	
21	12521460/0	2	Washer	Rosetta	Rondelle	Scheibe	
22	112735662/1	1	Screw	Vite	Vis	Schraube	



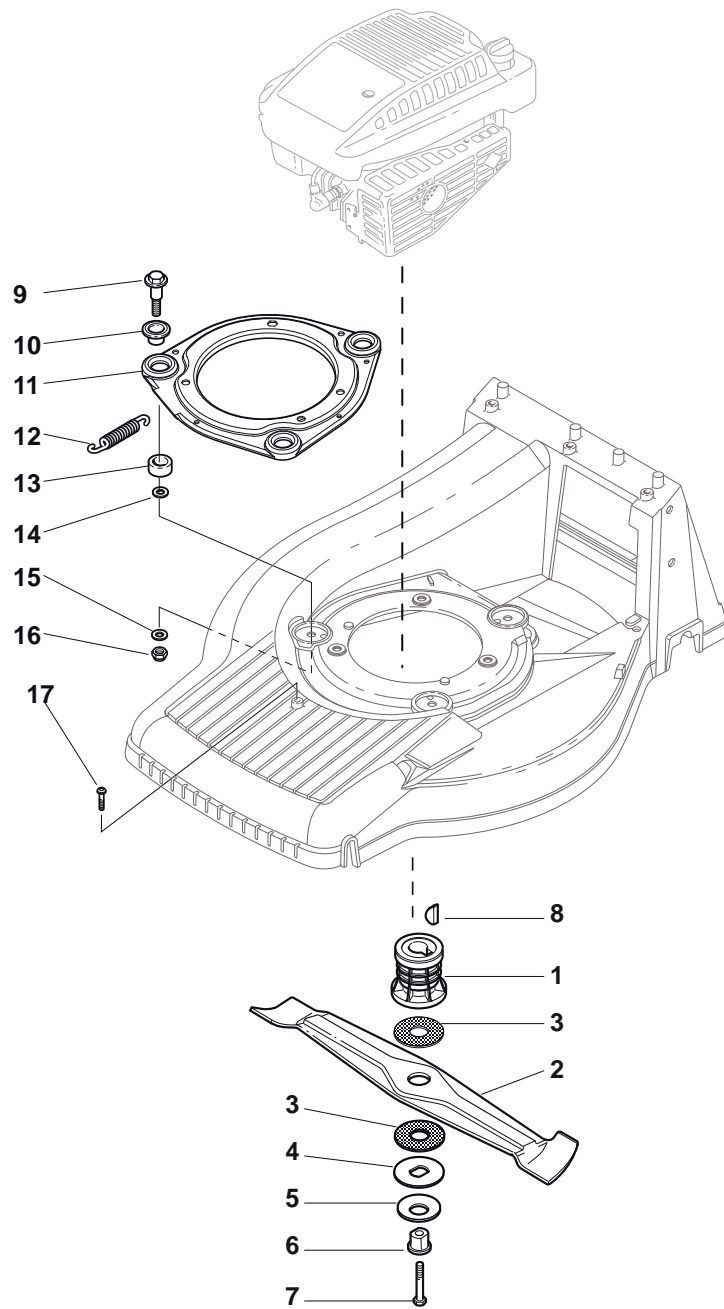
POS	PART. NO	Q.ty	DESCRIPTION	DESCRIZIONE	DESCRIPTION	BESCHREIBUNG	REMARKS
B1	22110251/0	4	Hub Cap White	Coprimito Bianco	Couvre-Moyeu Blanc	Radkappe Weiße	
A1	22110252/1	4	Hub Cap White	Coprimito Bianco	Couvre-Moyeu Blanc	Radkappe Weiße	
B1	22110253/0	4	Hub Cap Yellow	Coprimito Giallo	Couvre-Moyeu Jaune	Radkappe Gelbe	
A1	22110254/1	4	Hub Cap Yellow	Coprimito Giallo	Couvre-Moyeu Jaune	Radkappe Gelbe	
B1	22110255/1	4	Hub Cap Red	Coprimito Rosso	Couvre-Moyeu Rouge	Radkappe Rot	
A1	22110256/0	4	Hub Cap Red	Coprimito Rosso	Couvre-Moyeu Rouge	Radkappe Rot	
B2	22110313/0	4	Hub Cap White	Coprimito Bianco	Couvre-Moyeu Blanc	Radkappe Weiße	
B2	22110314/0	4	Hub Cap Grey	Coprimito Grigio	Couvre-Moyeu Gris	Radkappe Grau	
A2	22110344/0	4	Hub Cap White	Coprimito Bianco	Couvre-Moyeu Blanc	Radkappe Weiße	
A2	22110395/0	4	Hub Cap Grey	Coprimito Grigio	Couvre-Moyeu Gris	Radkappe Grau	
A3	22110347/0	4	Hub Cap Grey	Coprimito Grigio	Couvre-Moyeu Gris	Radkappe Grau	
A3	22110348/0	4	Hub Cap Grey	Coprimito Grigio	Couvre-Moyeu Gris	Radkappe Grau	
A4	22110381/0	4	Hub Cap Grey	Coprimito Grigio	Couvre-Moyeu Gris	Radkappe Grau	
B4	22110382/0	4	Hub Cap Grey	Coprimito Grigio	Couvre-Moyeu Gris	Radkappe Grau	
A5	22110416/0	4	Hub Cap Grey	Coprimito Grigio	Couvre-Moyeu Gris	Radkappe Grau	
B5	22110417/0	4	Hub Cap Grey	Coprimito Grigio	Couvre-Moyeu Gris	Radkappe Grau	
A6	22110491/0	4	Hub Cap Grey	Coprimito Grigio	Couvre-Moyeu Gris	Radkappe Grau	
B6	22110492/0	4	Hub Cap Grey	Coprimito Grigio	Couvre-Moyeu Gris	Radkappe Grau	
A7	22110493/0	4	Hub Cap Grey	Coprimito Grigio	Couvre-Moyeu Gris	Radkappe Grau	
B7	22110494/0	4	Hub Cap Grey	Coprimito Grigio	Couvre-Moyeu Gris	Radkappe Grau	
A8	22110495/0	4	Hub Cap Grey	Coprimito Grigio	Couvre-Moyeu Gris	Radkappe Grau	
B8	22110496/0	4	Hub Cap Grey	Coprimito Grigio	Couvre-Moyeu Gris	Radkappe Grau	



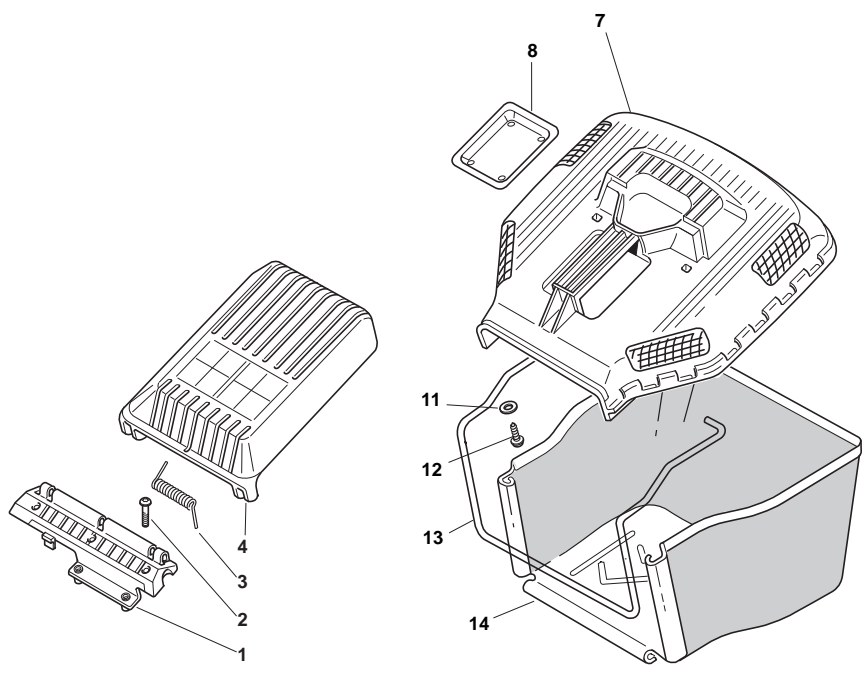
POS	PART. NO	Q.ty	DESCRIPTION	DESCRIZIONE	DESCRIPTION	BESCHREIBUNG	REMARKS
1	22465618/0	1	Hub, Crankshaft Ø 22.2	Mozzo, Albero Motore Ø 22.2	Moyeu, Arbre Moteur Ø 22.2	Halter, Motorwelle Ø 22.2	GGP-B&S
1	122465630/0	1	Hub, Crankshaft Ø 25	Mozzo, Albero Motore Ø 25	Moyeu, Arbre Moteur Ø 25	Halter, Motorwelle Ø 25	Honda
2	81004143/0	1	Blade	Coltello	Lame	Messer	
3	12530140/0	1	Washer	Rosetta	Rondelle	Scheibe	
4	12735698/0	1	Screw	Vite	Vis	Schraube	
5	12139100/0	1	Feather, Crankshaft Ø 22.2	Linguetta, Albero Motore Ø 22.2	Clavette, Arbre Moteur Ø 22.2	Keil, Motorwelle Ø 22.2	GGP-B&S
5	12139150/0	1	Feather, Crankshaft Ø 25	Linguetta, Albero Motore Ø 25	Clavette, Arbre Moteur Ø 25	Keil, Motorwelle Ø 25	Honda
6	112735108/1	3	Screw	Vite	Vis	Schraube	



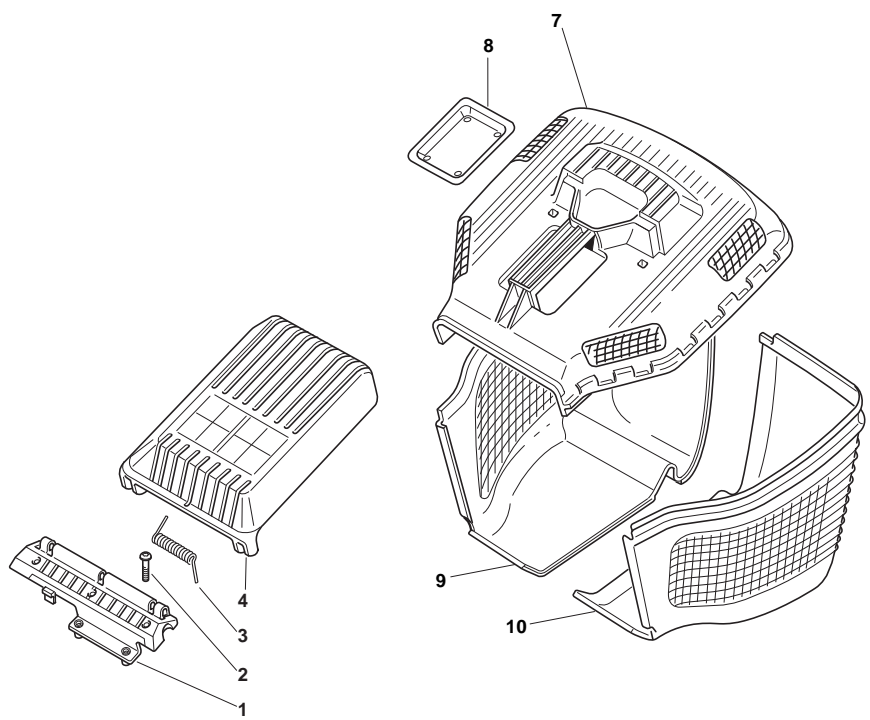
POS	PART. NO	Q.ty	DESCRIPTION	DESCRIZIONE	DESCRIPTION	BESCHREIBUNG	REMARKS
1	22465619/0	1	Hub With Pulley, Crankshaft Ø 22	Mozzo Con Puleggia, Albero Motore Ø 22	Moyeu Avec Poulie, Arbre Moteur Ø 22	Nabe Mit Scheibe, Motorwelle Ø 22	GGP-B&S
1	122465631/0	1	Hub With Pulley, Crankshaft Ø 25	Mozzo Con Puleggia, Albero Motore Ø 25	Moyeu Avec Poulie, Arbre Moteur Ø 25	Nabe Mit Scheibe, Motorwelle Ø 25	Honda
1	122465636/0	1	Hub With Pulley, Crankshaft Ø 22	Mozzo Con Puleggia, Albero Motore Ø 22	Moyeu Avec Poulie, Arbre Moteur Ø 22	Nabe Mit Scheibe, Motorwelle Ø 22	GGP-B&S AVS
1	122465637/0	1	Hub With Pulley, Crankshaft Ø 25	Mozzo Con Puleggia, Albero Motore Ø 25	Moyeu Avec Poulie, Arbre Moteur Ø 25	Nabe Mit Scheibe, Motorwelle Ø 25	Honda AVS
2	81004135/0	1	Blade Winged	Coltello Alettato	Lame Ailette	Messer Flügel	
3	22672111/0	2	Clutch Washer	Rondella Frizione	Rondelle Friction	Kupplungscheibe	
4	22672105/0	1	Washer	Rosetta	Rondelle	Scheibe	
5	12508120/0	1	Cupped Spring	Molla A Tazza	Ressort	Teller Feder	
6	22041940/0	1	Clutch Bush	Bussola Frizione	Douille Friction	Kupplungsscheibe	
7	12736850/0	1	Screw	Vite	Vis	Schraube	GGP-B&S-Honda
7	12736825/0	1	Screw	Vite	Vis	Schraube	AVS
8	12139100/0	1	Feather, Crankshaft Ø 22.2	Linguetta, Albero Motore Ø 22.2	Clavette, Arbre Moteur Ø 22.2	Keil, Motorwelle Ø 22.2	
8	12139150/0	1	Feather, Crankshaft Ø 25	Linguetta, Albero Motore Ø 25	Clavette, Arbre Moteur Ø 25	Keil, Motorwelle Ø 25	
9	112735108/1	3	Screw	Vite	Vis	Schraube	



POS	PART. NO	Q.ty	DESCRIPTION	DESCRIZIONE	DESCRIPTION	BESCHREIBUNG	REMARKS
1	22465619/0	1	Hub With Pulley, Crankshaft Ø 22	Mozzo Con Puleggia, Albero Motore Ø 22	Moyeu Avec Poulie, Arbre Moteur Ø 22	Nabe Mit Scheibe, Motorwelle Ø 22	GGP-B&S
1	122465631/0	1	Hub With Pulley, Crankshaft Ø 25	Mozzo Con Puleggia, Albero Motore Ø 25	Moyeu Avec Poulie, Arbre Moteur Ø 25	Nabe Mit Scheibe, Motorwelle Ø 25	Honda
1	122465636/0	1	Hub With Pulley, Crankshaft Ø 22	Mozzo Con Puleggia, Albero Motore Ø 22	Moyeu Avec Poulie, Arbre Moteur Ø 22	Nabe Mit Scheibe, Motorwelle Ø 22	GGP-B&S AVS
1	122465637/0	1	Hub With Pulley, Crankshaft Ø 25	Mozzo Con Puleggia, Albero Motore Ø 25	Moyeu Avec Poulie, Arbre Moteur Ø 25	Nabe Mit Scheibe, Motorwelle Ø 25	Honda AVS
2	81004135/0	1	Blade Winged	Coltello Alettato	Lame Ailette	Messer Flügel	
3	22672111/0	2	Clutch Washer	Rondella Frizione	Rondelle Friction	Kupplungscheibe	
4	22672105/0	1	Washer	Rosetta	Rondelle	Scheibe	
5	12508120/0	1	Cupped Spring	Molla A Tazza	Ressort	Teller Feder	
6	22041940/0	1	Clutch Bush	Bussola Frizione	Douille Friction	Kupplungsscheibe	
7	12736850/0	1	Screw	Vite	Vis	Schraube	GGP-B&S-Honda
7	12736825/0	1	Screw	Vite	Vis	Schraube	AVS
8	12139100/0	1	Feather, Crankshaft Ø 22.2	Linguetta, Albero Motore Ø 22.2	Clavette, Arbre Moteur Ø 22.2	Keil, Motorwelle Ø 22.2	GGP-B&S
8	12139150/0	1	Feather, Crankshaft Ø 25	Linguetta, Albero Motore Ø 25	Clavette, Arbre Moteur Ø 25	Keil, Motorwelle Ø 25	Honda
9	22524329/0	3	Pin	Perno	Pivot	Bolzen	
10	22672201/0	3	Washer	Rosetta	Rondelle	Scheibe	
11	22207225/0	1	Flange	Flangia	Bride	Flansch	
12	22450445/0	1	Spring	Molla	Ressort	Feder	
13	22250012/0	3	Grommet	Gommino	Caoutchouc	Gummi	
14	22671651/0	3	Washer	Rosetta	Rondelle	Scheibe	
15	12523060/0	3	Washer	Rosetta	Rondelle	Scheibe	
16	12155000/0	3	Nut	Dado	Ecrou	Mutter	
17	12735661/0	1	Screw	Vite	Vis	Schraube	



POS	PART. NO	Q.ty	DESCRIPTION	DESCRIZIONE	DESCRIPTION	BESCHREIBUNG	REMARKS
1	22785179/0	1	Support, Black	Supporto, Nero	Support, Noir	Halter, Schwarz	
1	22785157/0	1	Support, Yellow	Supporto, Giallo	Support, Jaune	Halter, Gelb	
2	12735664/0	3	Screw	Vite	Vis	Schraube	
3	22450443/0	1	Spring	Molla	Ressort	Feder	
4	22600068/1	1	Stone-Guard, Black	Parasassi, Nero	Pare-Pierres, Noir	Prallblech, Schwarz	
4	322600069/2	1	Stone-Guard, Yellow	Parasassi, Giallo	Pare-Pierres, Jaune	Prallblech, Gelb	
7	22486095/0	1	Grass-Box, Upper Part	Sacco, Parte Sup	Sac, Partie Superieure	Korb, Oberteil	
8	22486098/0	1	Plate	Piastrina	Plaquette	Plättchen	
11	12521460/0	2	Washer	Rosetta	Rondelle	Scheibe	
12	12728300/0	2	Screw	Vite	Vis	Schraube	
13	22608528/0	1	Stiffening Lower	Rinforzo Inf	Réinforcement Inf	Verstärkung Untere	
14	81002235/0	1	Box, Fabric	Sacco, Tela	Sac, Toile	Sack, Tuck	



POS	PART. NO	Q.ty	DESCRIPTION	DESCRIZIONE	DESCRIPTION	BESCHREIBUNG	REMARKS
1	22785179/0	1	Support, Black	Supporto, Nero	Support, Noir	Halter, Schwarz	
1	22785157/0	1	Support, Yellow	Supporto, Giallo	Support, Jaune	Halter, Gelb	
2	12735664/0	3	Screw	Vite	Vis	Schraube	
3	22450443/0	1	Spring	Molla	Ressort	Feder	
4	22600068/1	1	Stone-Guard, Black	Parasassi, Nero	Pare-Pierres, Noir	Prallblech, Schwarz	
4	322600069/2	1	Stone-Guard, Yellow	Parasassi, Giallo	Pare-Pierres, Jaune	Prallblech, Gelb	
7	22486095/0	1	Grass-Box, Upper Part	Sacco, Parte Sup	Sac, Partie Superieure	Korb, Oberteil	
8	22486098/0	1	Plate	Piastrina	Plaquette	Plättchen	
9	22486099/0	1	Grass-Box, R Lower	Sacco, Parte Inf Dx	Sac, Partie Inferieure D	Korb, R Unterteil	
10	22486100/0	1	Grass-Box, L Lower	Sacco, Parte Inf Sx	Sac, Partie Inferieure G	Korb, L Unterteil	