

Genuine Spare Parts

PAN 504 TR 4S - PAN 504 TR/E 4S

Catalogo delle parti di ricambio
Spare parts catalogue
Catalogue des pieces de rechange
Ersatzteilkatalog

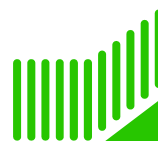
2011

- Use GLOBAL GARDEN PRODUCT Genuine Spare Parts specified in the parts list for repair and/or replacement.
- The contents described in the parts list may change due to improvement.
- The drawings of the spare parts are only indicative and might not represent the part in question exactly.
- The indications "right" - "left" - "front" - "rear" refer to the position of the operator when using the machine.
- When placing orders of parts for repair and/or replacement, make sure that the illustrated parts list is the one applying to the machine's year of manufacture, as shown on the identification plate attached to the machine.

© Copyright 2011 Global Garden Products

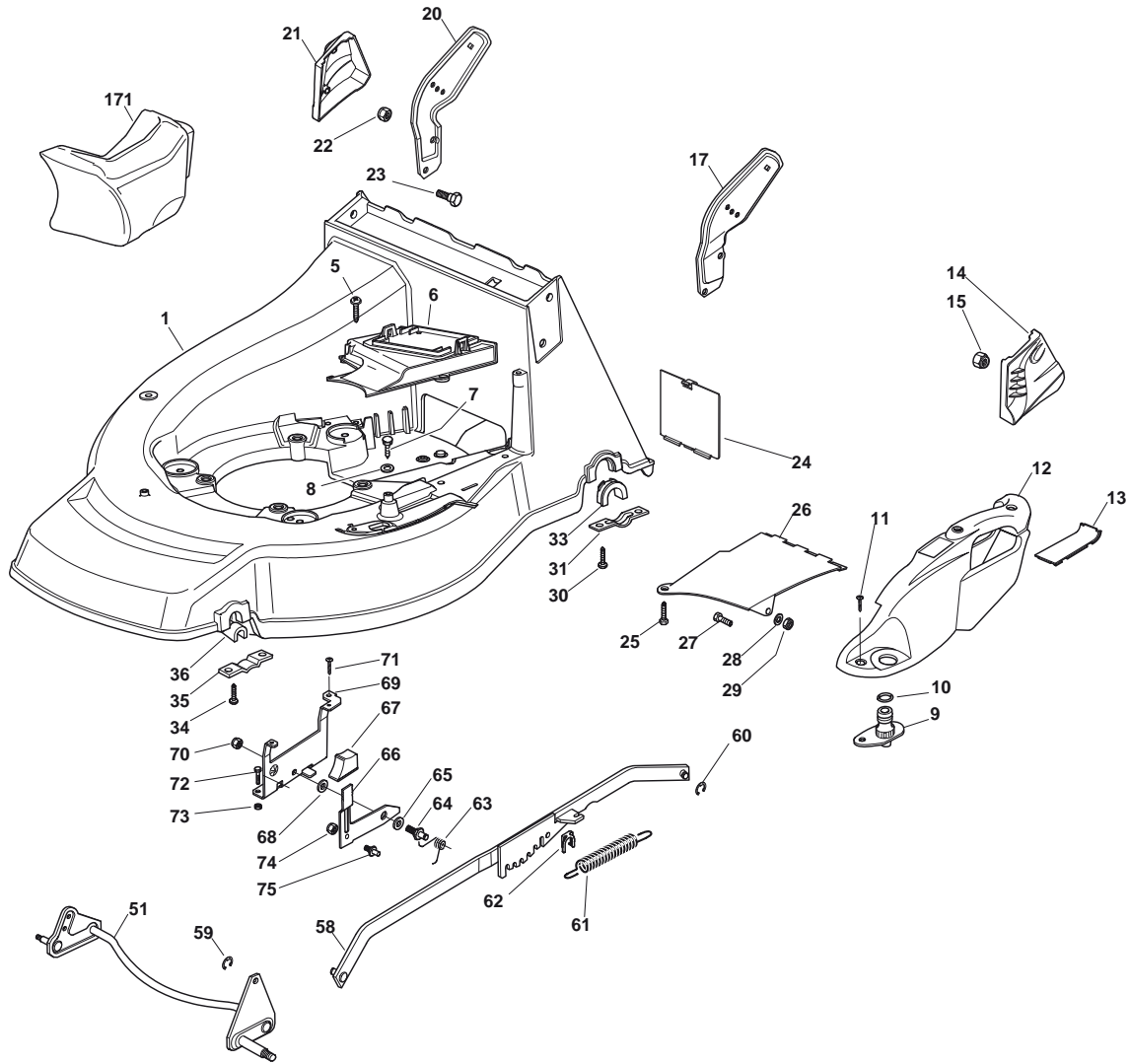
All content is subject to copyright by Global Garden Products and may not be reproduced in whole or in part by any means, electronic or otherwise, without prior written approval.

THIS INFORMATION IS NOT INTENDED FOR SALE OR RESALE, AND THIS NOTICE MUST REMAIN ON ALL COPIES.



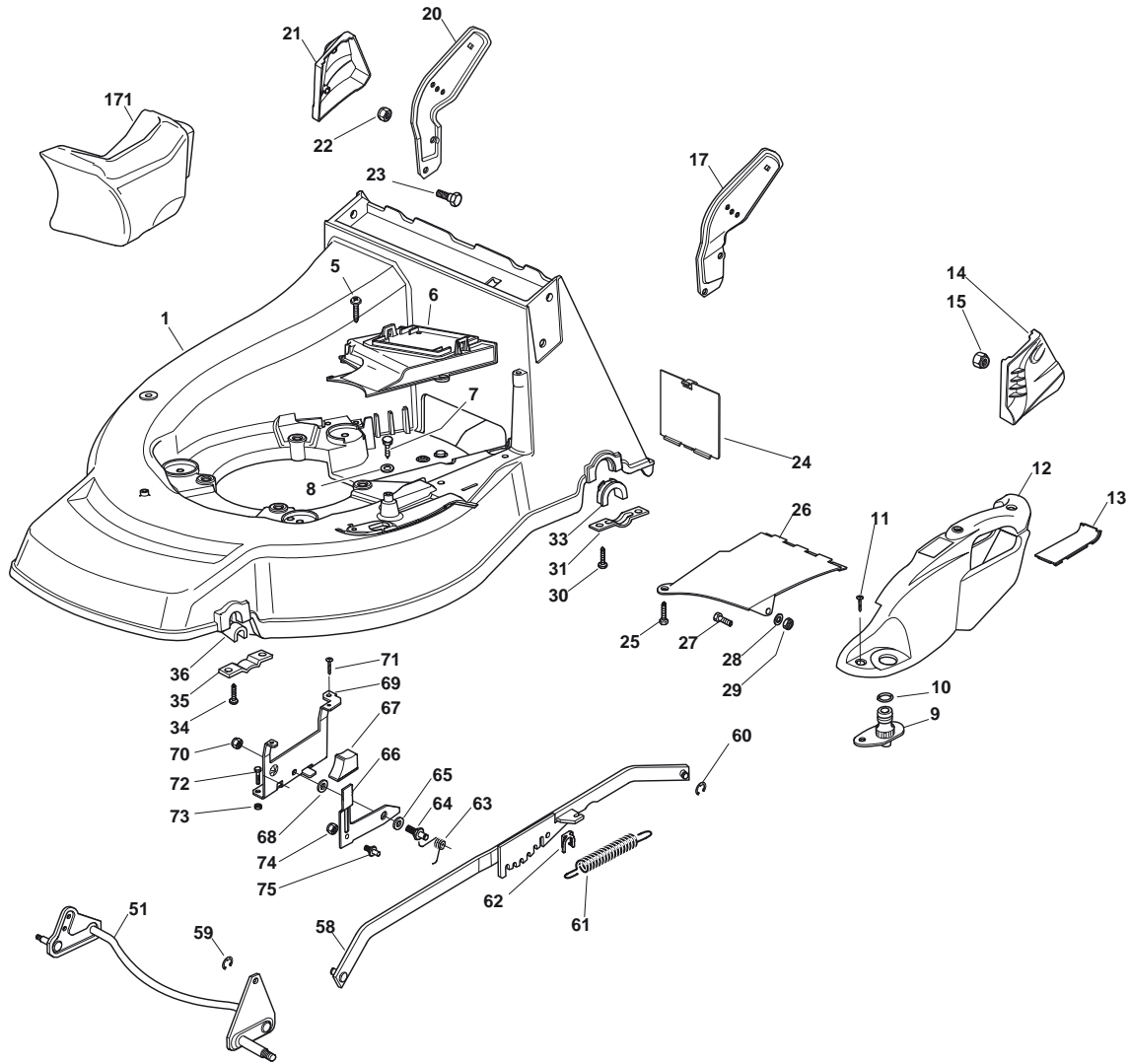
GLOBAL GARDEN PRODUCTS

PAN 504 TR 4S - PAN 504 TR/E 4S

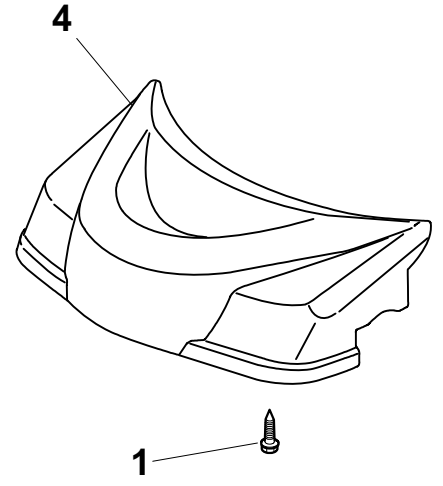
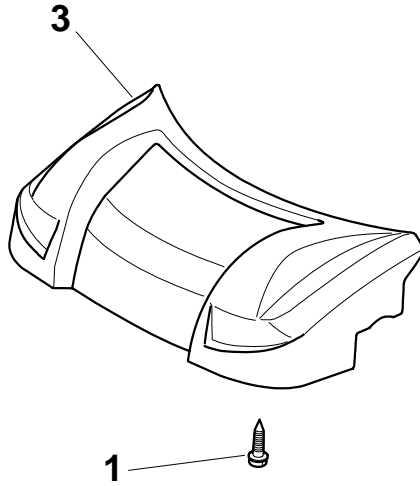
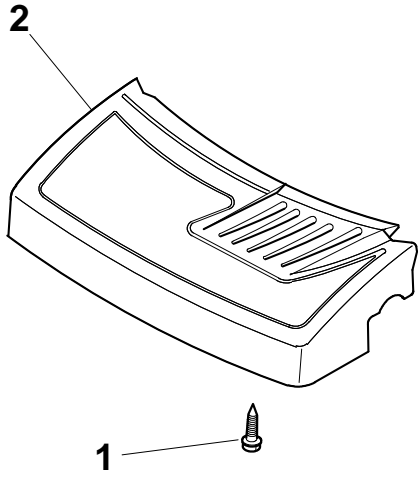


N.	CODE	Q.TY	DESCRIZIONE	DESCRIPTION	DESCRIPTION	BESCHREIBUNG	REMARK
1	81003500/0	1	Chassis Rosso	Deck Red	Châssis Rouge	Gehäuse Rot	
5	12728522/0	2	Vite	Screw	Vis	Schraube	
6	22060221/0	1	Carter Cinghia	Protection, Belt	Protection	Schutz, Riemen	
7	12729600/0	1	Vite	Screw	Vis	Schraube	
8	12523040/0	2	Rosetta	Washer	Rondelle	Scheibe	
9	22034000/0	1	Attacco Acqua Lavaggio	Washing Connection	Attaque Lavage	Waschenverbindung	
10	19035000/0	1	Anello Or	Or Ring	Bague Or	Ring Or	
11	12728520/0	3	Vite	Screw	Vis	Schraube	
12	22060146/0	1	Carter Regolazione	Deck, Adjustment	Châssis Reglage	Gehäuse	
13	22546070/0	1	Piastrina	Plate	Plaquette	Platte	
14	22601003/0	1	Protezione	Protection	Protection	Schutz	
15	12155000/0	2	Dado	Nut	Ecrou	Mutter	
17	22778397/1	1	Staffa Sx	Bracket, L	Bride G	Pratze, Linke	
20	22778396/1	1	Staffa Dx	Bracket, R	Bride D	Pratze, Rechte	
21	322601002/1	1	Protezione	Protection	Protection	Schutz	
22	12155000/0	2	Dado	Nut	Ecrou	Mutter	
23	12793301/0	2	Vite	Screw	Vis	Schraube	
24	22595352/0	1	Portina Chiusura	Inspection Door	Voyant De Visite	Abdeckplatte	
25	12729600/0	1	Vite	Screw	Vis	Schraube	
26	22108205/0	1	Convogliatore	Conveyor	Convoyeur	Konveyor	
27	12789000/0	1	Vite	Screw	Vis	Schraube	
28	12523020/0	1	Rosetta	Washer	Rondelle	Scheibe	
29	12154330/0	1	Dado	Nut	Ecrou	Mutter	
30	12731350/0	4	Vite	Screw	Vis	Schraube	
31	22545147/0	2	Piastrina	Plate	Plaquette	Platte	
33	22038407/0	2	Bronzina	Brass	Douille	Buchse	
34	12731350/0	4	Vite	Screw	Vis	Schraube	

PAN 504 TR 4S - PAN 504 TR/E 4S

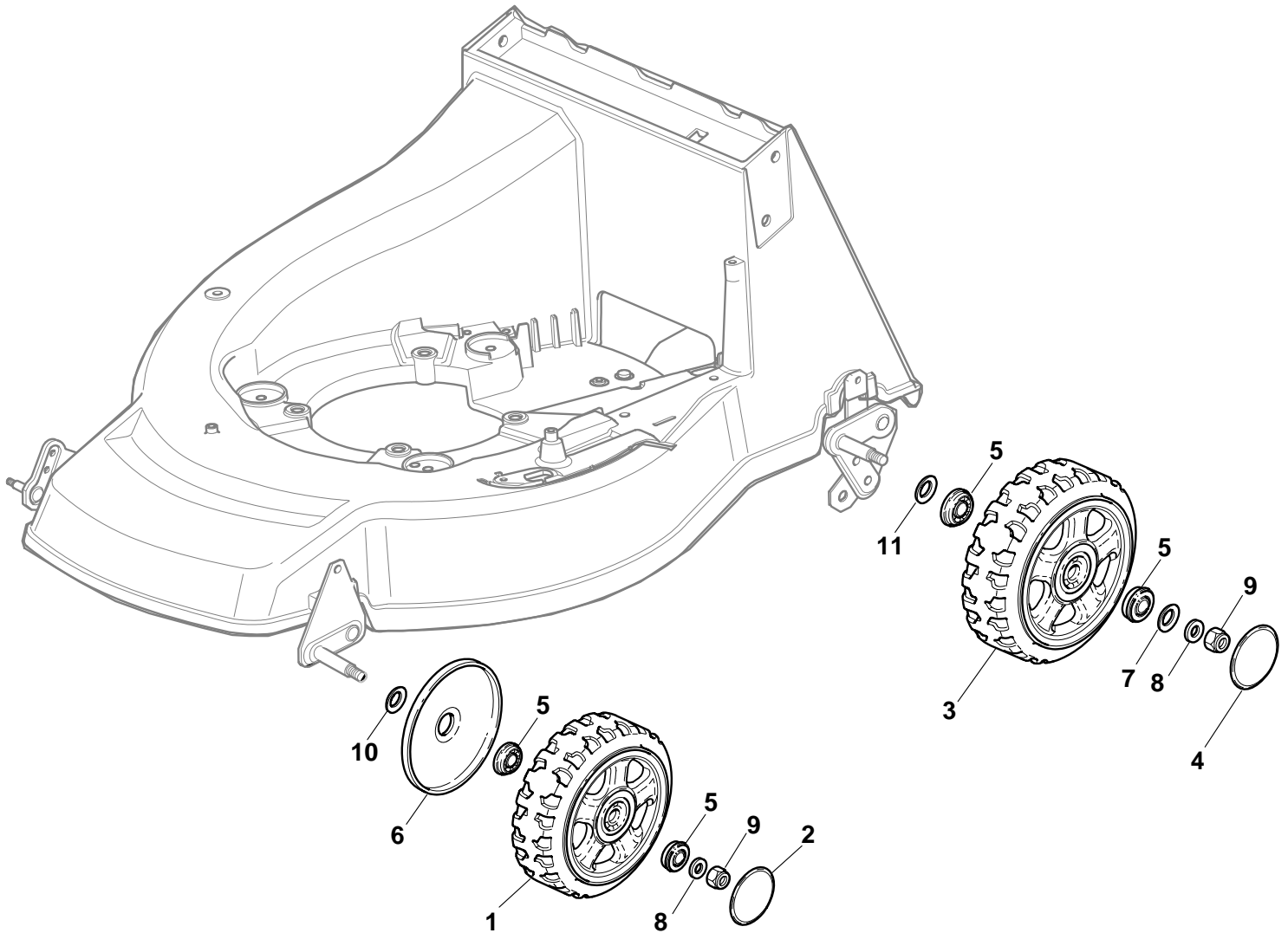


N.	CODE	Q.TY	DESCRIZIONE	DESCRIPTION	DESCRIPTION	BESCHREIBUNG	REMARK
35	22545156/0	2	Piastrina	Plate	Plaquette	Platte	
36	22038400/1	2	Bronzina	Brass	Douille	Buchse	
51	81002801/1	1	Asse Ruote Anteriori	Axle, Front Wheels	Axe Roues Avant	Achse, Vorderrad	
58	81001137/0	1	Asta Comando Regol. Altezza	Rod, Height Adjustment	Tige Commande Reglage Hauteur	Stange, Höheverstellung	
59	12000930/0	1	Anello Elastico	Snap Ring	Anneau Ressort	Sprengring	
60	12000930/0	1	Anello Elastico	Snap Ring	Anneau Ressort	Sprengring	
61	122446187/0	1	Molla	Spring	Ressort	Feder	
62	112436051/0	1	Piastrina	Plate	Plaquette	Plättchen	
63	122446176/1	1	Molla	Spring	Ressort	Feder	
64	22517880/1	1	Perno	Pin	Pivot	Bolzen	
65	22672152/0	1	Rosetta	Washer	Rondelle	Scheibe	
66	22322829/1	1	Leva Regolazione Altezza	Lever, Height Adjustment	Levier, Reglage Hauteur	Hebel, Höheverstellung	
67	22602000/0	1	Pulsante Comando	Pushbutton, Lever	Bouton De	Steuerhebeldruckk	
68	22672151/0	1	Rosetta	Washer	Rondelle	Scheibe	
69	22785115/0	1	Supporto	Support, Height	Support Reglage	Halter,	
70	12155000/0	1	Dado	Nut	Ecrou	Mutter	
71	12729600/0	1	Vite	Screw	Vis	Schraube	
72	12793101/0	2	Vite	Screw	Vis	Schraube	
73	12293201/0	2	Dado	Nut	Ecrou	Mutter	
74	12154510/0	1	Dado	Nut	Ecrou	Mutter	
75	22519746/0	1	Perno	Pin	Pivot	Bolzen	
171	22140224/0	1	Tappo	Cap	Bouchon	Gummistopfen	

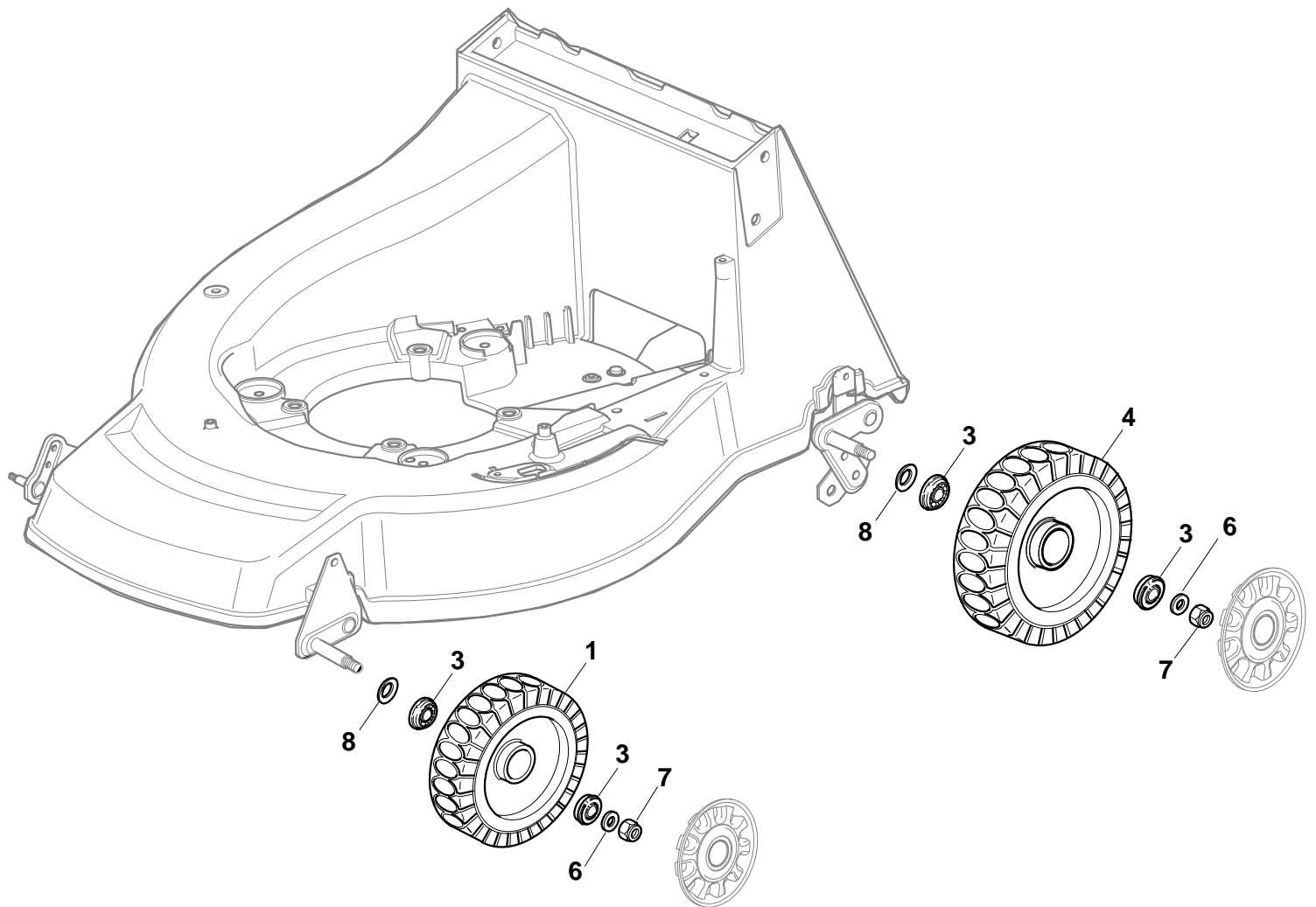


N.	CODE	Q.TY	DESCRIZIONE	DESCRIPTION	DESCRIPTION	BESCHREIBUNG	REMARK
1	112735420/0	4	Vite	Screw	Vis	Schraube	
2	22226050/0	1	Mascherina, Nero	Mask, Black	Mesque, Noir	Maske, Schwarz	
3	322226112/1	1	Mascherina, Grigio	Mask, Grey	Mesque, Gris	Maske, Grau	
4	322226124/0	1	Mascherina, Nero	Mask, Black	Mesque, Noir	Maske, Schwarz	

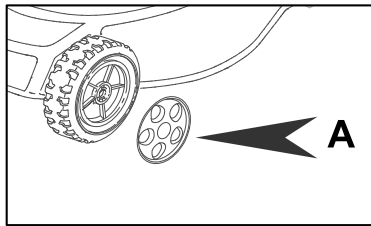
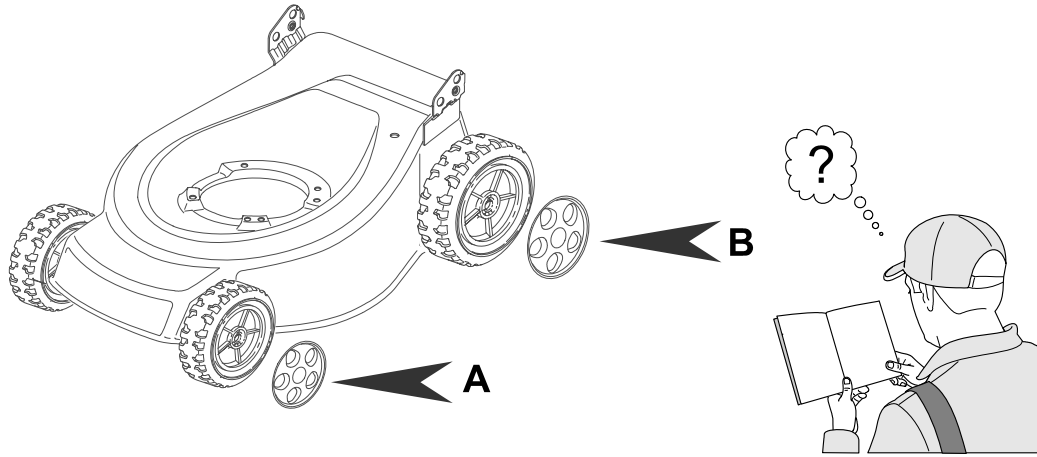
PAN 504 TR 4S - PAN 504 TR/E 4S



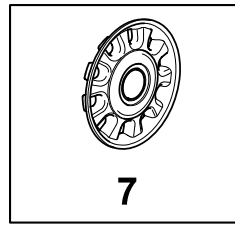
N.	CODE	Q.TY	DESCRIZIONE	DESCRIPTION	DESCRIPTION	BESCHREIBUNG	REMARK
1	381007378/0	2	Ruota Ø 170	Wheel Ø 170	Roue Ø 170	Rad. Ø 170	
2	22110418/0	2	Coprimozzo	Hub Cap	Couvre-Moyeu	Radkappe	
3	81007382/0	2	Ruota Ø 210	Wheel Ø 210	Roue Ø 210	Rad. Ø 210	
4	22110419/0	2	Coprimozzo	Hub Cap	Couvre-Moyeu	Radkappe	
5	22122200/0	8	Cuscinetto	Bearing	Coussinet	Lager	
6	22600144/0	2	Protezione	Protection	Protection	Schutz	
7	22675100/0	2	Rosetta	Washer	Rondelle	Scheibe	
8	12521350/0	4	Rosetta	Washer	Rondelle	Scheibe	
9	12155000/0	4	Dado	Nut	Ecrou	Mutter	
10	12530150/0	2	Rosetta Elastica	Elastic Washer	Rondelle Elastique	Elastische Scheibe	
11	12530151/0	2	Rosetta	Washer	Rondelle	Scheibe	



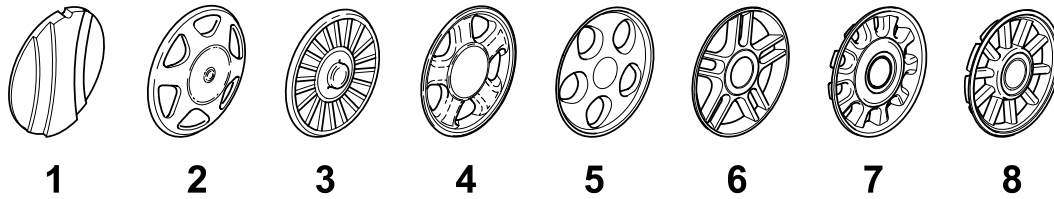
N.	CODE	Q.TY	DESCRIZIONE	DESCRIPTION	DESCRIPTION	BESCHREIBUNG	REMARK
1	81007317/0	2	Ruota Ø 170	Wheel Ø 170	Roue Ø 170	Rad. Ø 170	
3	22122200/0	8	Cuscinetto	Bearing	Coussinet	Lager	
4	81007318/1	2	Ruota Ø 210	Wheel Ø 210	Roue Ø 210	Rad. Ø 210	
6	12521350/0	4	Rosetta	Washer	Rondelle	Scheibe	
7	12155000/0	4	Dado	Nut	Ecrou	Mutter	
8	12530150/0	4	Rosetta Elastica	Elastic Washer	Rondelle Elastique	Elastische Scheibe	



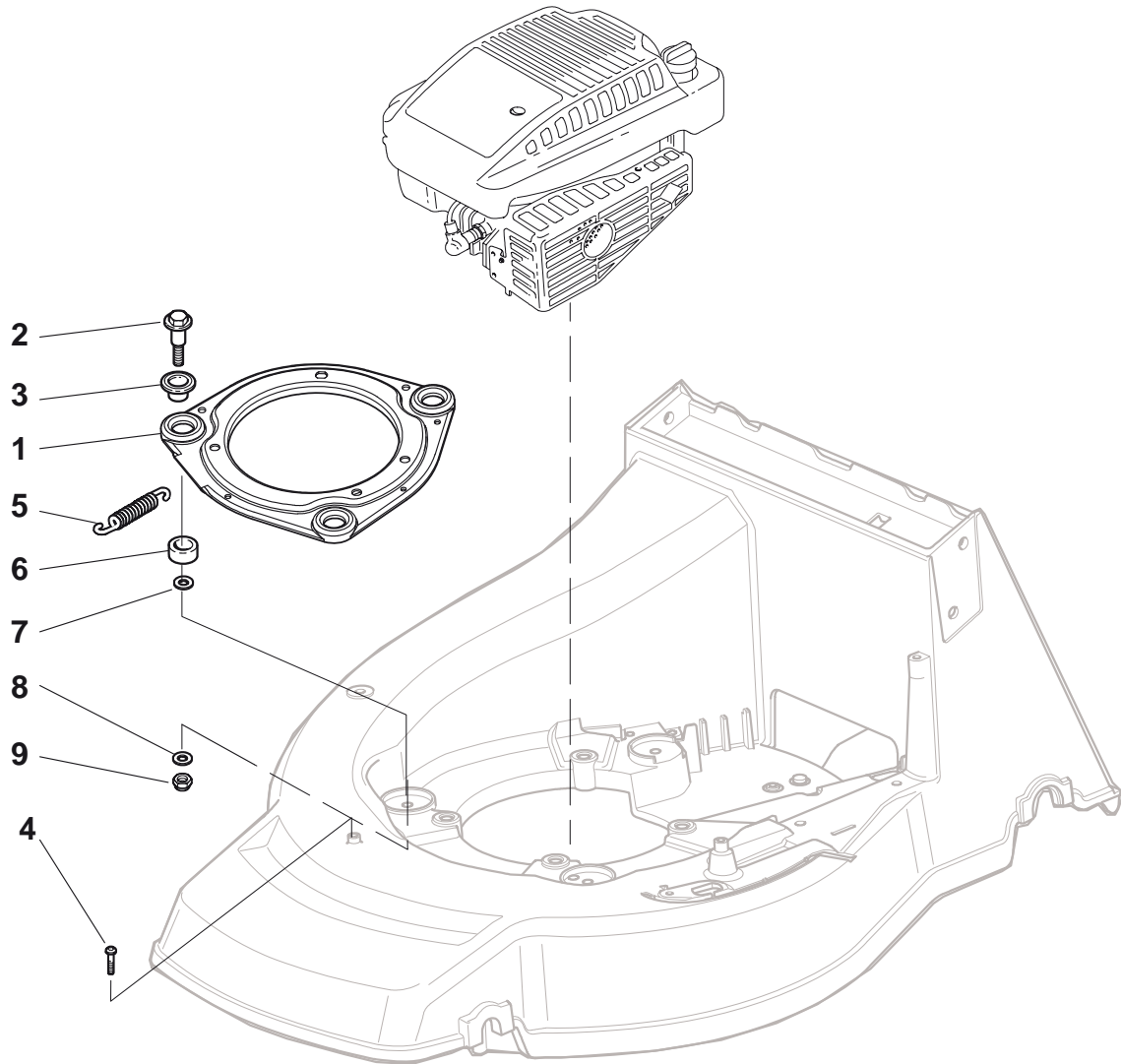
+



= A7

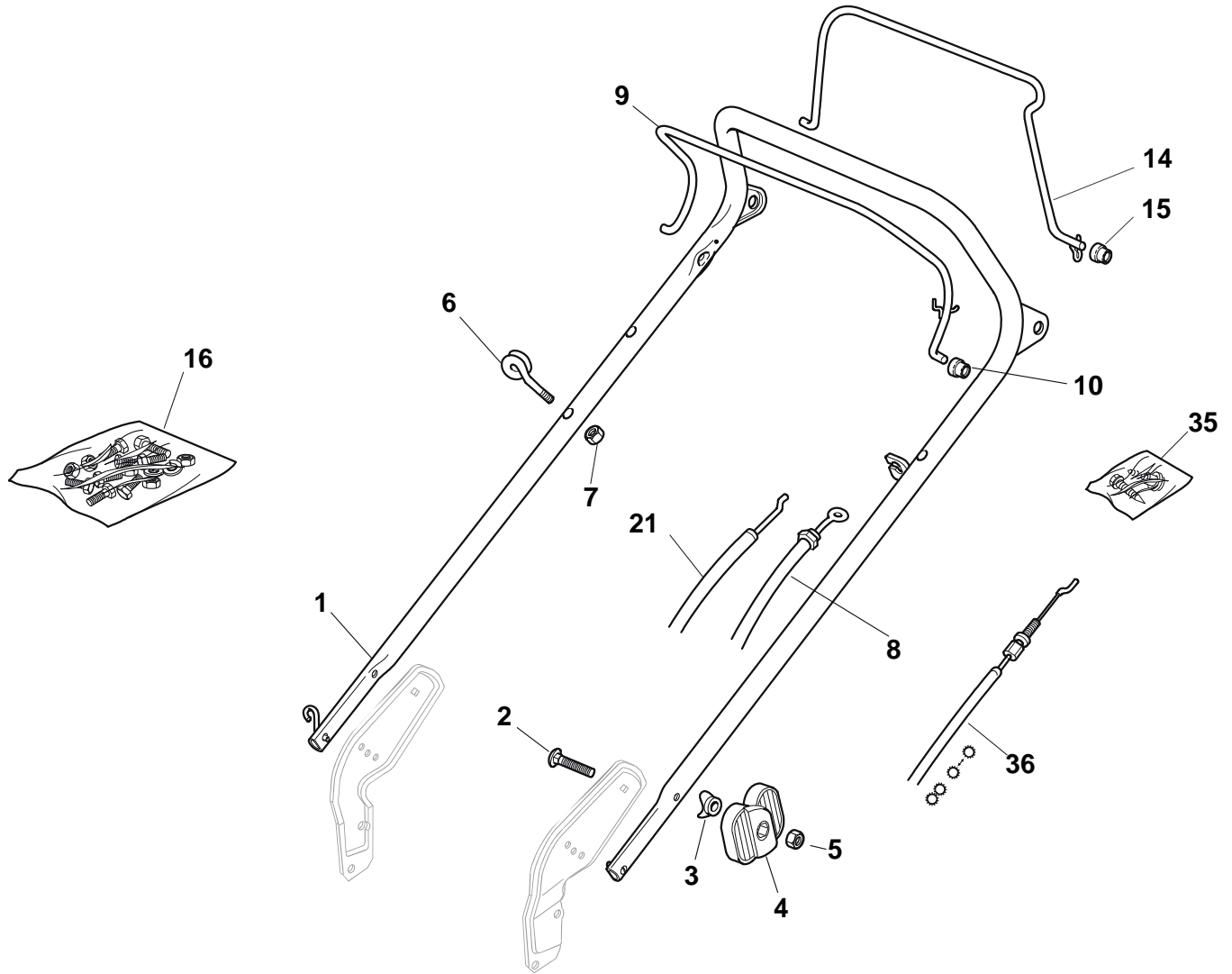


N. CODE	Q.TY	DESCRIZIONE	DESCRIPTION	DESCRIPTION	BESCHREIBUNG	REMARK	
B1	22110251/0	2	Coprizzo Bianco	Hub Cap White	Couvre-Moyeu	Radkappe Weiße	
A1	22110252/1	2	Coprizzo Bianco	Hub Cap White	Couvre-Moyeu	Radkappe Weiße	
B1	22110253/0	2	Coprizzo Giallo	Hub Cap Yellow	Couvre-Moyeu	Radkappe Gelbe	
A1	22110254/1	2	Coprizzo Giallo	Hub Cap Yellow	Couvre-Moyeu	Radkappe Gelbe	
A1	22110255/1	2	Coprizzo Rosso	Hub Cap Red	Couvre-Moyeu	Radkappe Rote	
B1	22110256/0	2	Coprizzo Rosso	Hub Cap Red	Couvre-Moyeu	Radkappe Rote	
A1	22110381/0	2	Coprizzo Grigio	Hub Cap Grey	Couvre-Moyeu Gris	Radkappe Grau	
B1	22110382/0	2	Coprizzo Grigio	Hub Cap Grey	Couvre-Moyeu Gris	Radkappe Grau	
B2	22110313/0	2	Coprizzo Bianco	Hub Cap White	Couvre-Moyeu	Radkappe Weiße	
B2	22110314/0	2	Coprizzo Grigio	Hub Cap Grey	Couvre-Moyeu Gris	Radkappe Grau	
A2	22110344/0	2	Coprizzo Bianco	Hub Cap White	Couvre-Moyeu	Radkappe Weiße	
A2	22110395/0	2	Coprizzo Grigio	Hub Cap Grey	Couvre-Moyeu Gris	Radkappe Grau	
A3	22110347/0	2	Coprizzo Grigio	Hub Cap Grey	Couvre-Moyeu Gris	Radkappe Grau	
B3	22110348/0	2	Coprizzo Grigio	Hub Cap Grey	Couvre-Moyeu Gris	Radkappe Grau	
A4	22110381/0	2	Coprizzo Grigio	Hub Cap Grey	Couvre-Moyeu Gris	Radkappe Grau	
B4	22110382/0	2	Coprizzo Grigio	Hub Cap Grey	Couvre-Moyeu Gris	Radkappe Grau	
A5	22110416/0	2	Coprizzo Grigio	Hub Cap Grey	Couvre-Moyeu Gris	Radkappe Grau	
B5	22110417/0	2	Coprizzo Grigio	Hub Cap Grey	Couvre-Moyeu Gris	Radkappe Grau	
A6	22110491/0	2	Coprizzo Grigio	Hub Cap Grey	Couvre-Moyeu Gris	Radkappe Grau	
B6	22110492/0	2	Coprizzo Grigio	Hub Cap Grey	Couvre-Moyeu Gris	Radkappe Grau	
A7	22110493/0	2	Coprizzo Grigio	Hub Cap Grey	Couvre-Moyeu Gris	Radkappe Grau	
B7	22110494/0	2	Coprizzo Grigio	Hub Cap Grey	Couvre-Moyeu Gris	Radkappe Grau	
A8	22110495/0	2	Coprizzo Grigio	Hub Cap Grey	Couvre-Moyeu Gris	Radkappe Grau	
B8	22110496/0	2	Coprizzo Grigio	Hub Cap Grey	Couvre-Moyeu Gris	Radkappe Grau	



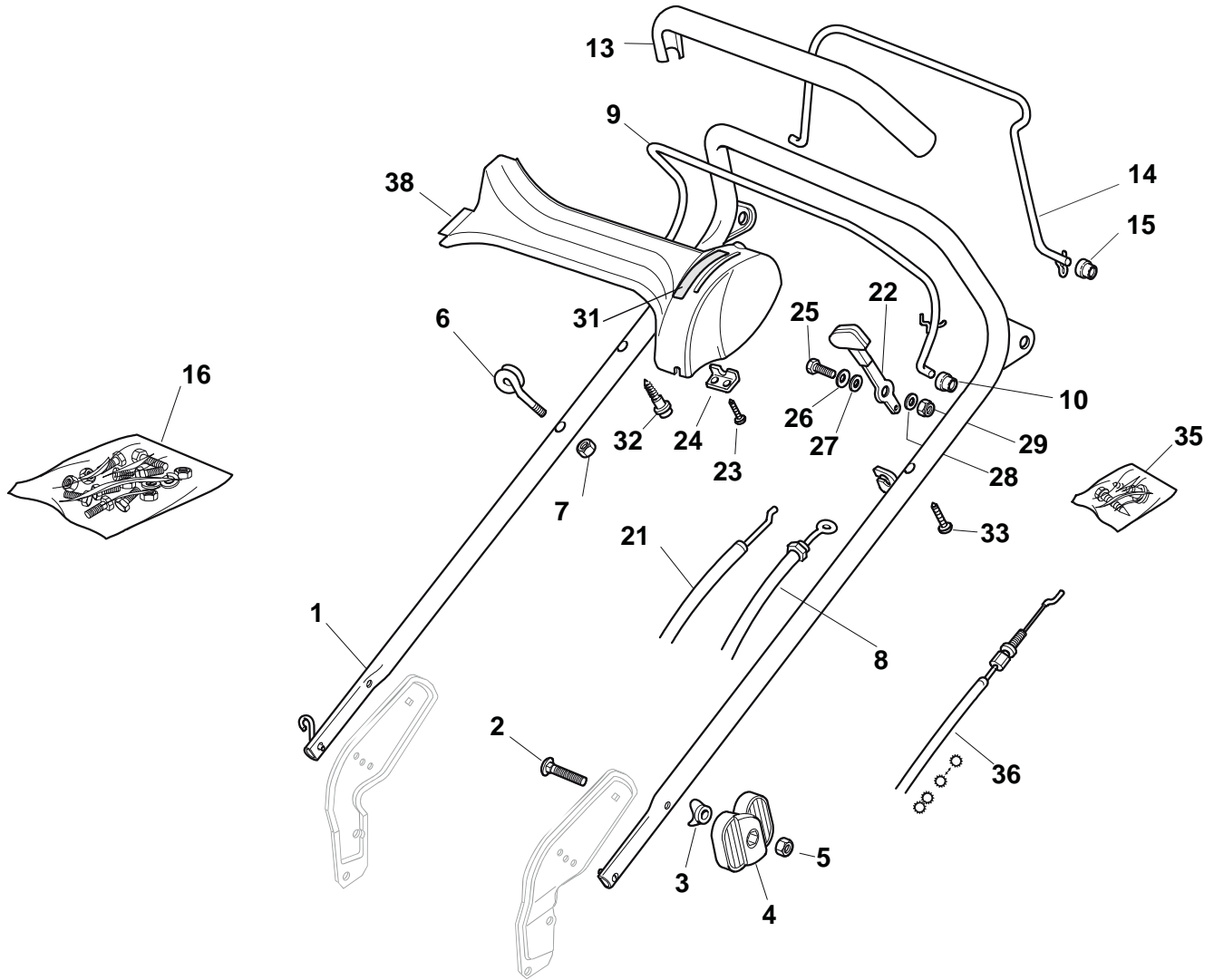
N.	CODE	Q.TY	DESCRIZIONE	DESCRIPTION	DESCRIPTION	BESCHREIBUNG	REMARK
1	22207223/0	1	Flangia	Flange	Bride	Flansch	
2	22524329/0	3	Perno	Pin	Pivot	Bolzen	
3	22672201/0	3	Rondella	Washer	Rondelle	Scheibe	
4	12729601/1	1	Vite	Screw	Vis	Schraube	
5	22450445/0	1	Molla	Spring	Ressort	Feder	
6	22250012/0	3	Gommino	Grommet	Caoutchouc	Gummi	
7	22671651/0	3	Rosetta	Washer	Rondelle	Scheibe	
8	12521350/0	3	Rosetta	Washer	Rondelle	Scheibe	
9	12155000/0	3	Dado	Nut	Ecrou	Mutter	

PAN 504 TR 4S - PAN 504 TR/E 4S

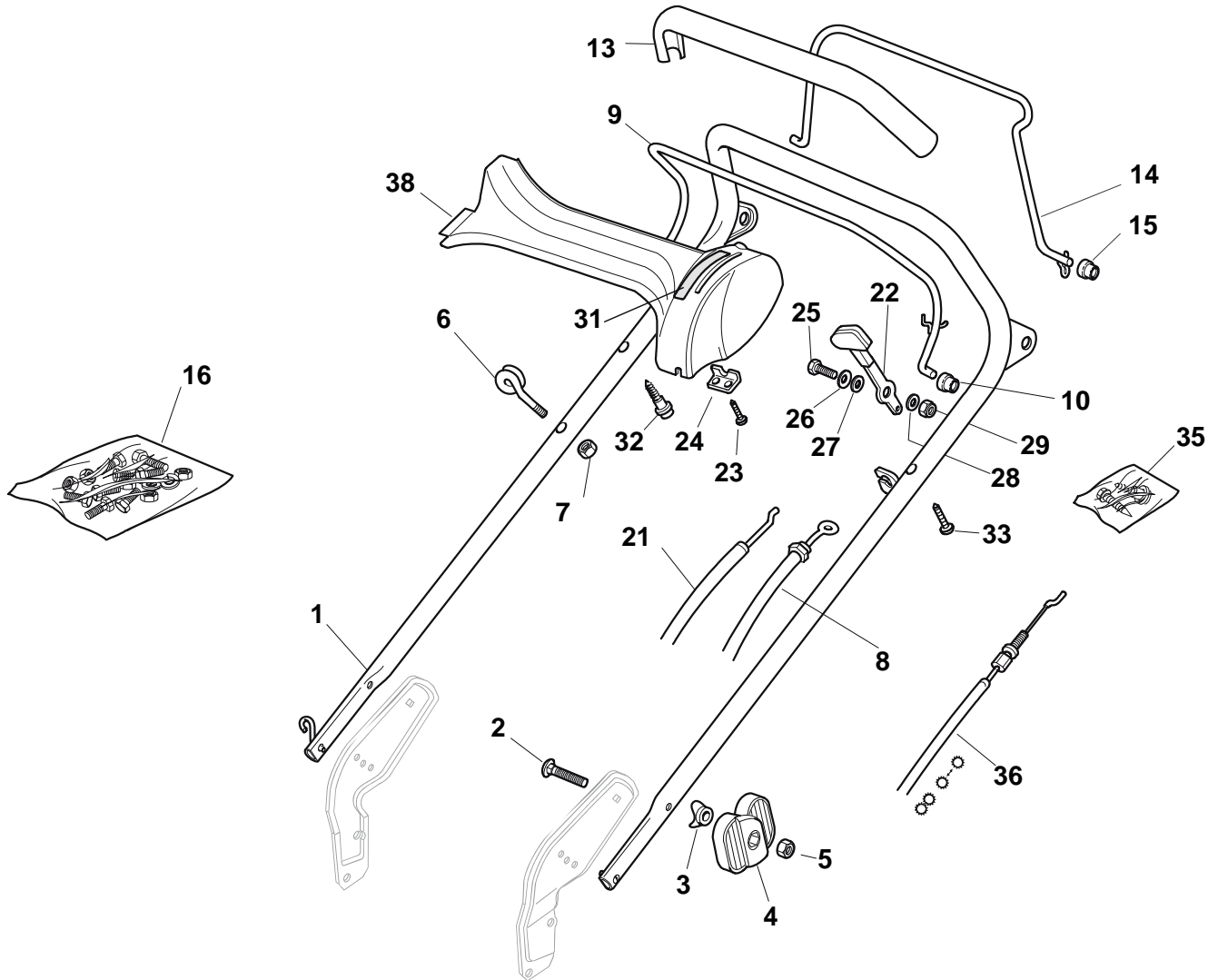


N.	CODE	Q.TY	DESCRIZIONE	DESCRIPTION	DESCRIPTION	BESCHREIBUNG	REMARK
1	81006861/0	1	Manico, Parte Sup	Handle, Upper Part	Mancheron, Partie Superieure	Holm, Oberteil	
2	12819120/0	2	Vite	Screw	Vis	Schraube	
3	22680006/1	2	Rosetta	Washer	Rondelle	Scheibe	
4	22399803/0	2	Manopolina	Knob	Poignée	Griff	
5	12293200/0	2	Dado	Nut	Ecrou	Mutter	
6	22430309/0	1	Molla Guida	Guide Spring	Ressort De Guide	Feder Führer	
7	12154330/0	1	Dado	Nut	Ecrou	Mutter	
8	81000616/1	1	Cavo Freno Motore	Cable, Thread Engine Brake	Cable Frein Moteur	Kabel, Motorbremse	(Honda)
8	81000642/1	1	Cavo Freno Motore	Cable, Thread Engine Brake	Cable Frein Moteur	Kabel, Motorbremse	(B&S 625-675 Series)
8	81000757/0	1	Cavo Freno Motore	Cable, Thread Engine Brake	Cable Frein Moteur	Kabel, Motorbremse	(Ggp 140cc)
8	81000757/0	1	Cavo Freno Motore	Cable, Thread Engine Brake	Cable Frein Moteur	Kabel, Motorbremse	(Ggp 160cc)
8	81000757/0	1	Cavo Freno Motore	Cable, Thread Engine Brake	Cable Frein Moteur	Kabel, Motorbremse	(Ggp 196cc)
9	81003291/3	1	Leva Freno Motore	Lever, Engine Brake	Levier Frein Moteur	Hebel, Motorbremse	
10	22041966/0	2	Bussola	Bush	Douille	Buchse	
14	81003288/1	1	Leva Trazione	Lever, Driving	Levier Traction	Hebel, Antrieb	
15	22041965/1	2	Bussola	Bush	Douille	Buchse	
16	381008610/1	1	Dotazione Viteria	Outfit, Screws	Dotation Visserie	Satz, Schrauben	
21	81007160/0	1	Cavo Acceleratore	Throttle Cable	Cable, Accelérateur	Gashebel Kabel	
35	81008609/0	1	Dotazione Viteria Cruscotto	Outfit, Dash-Board Screws	Dotation Visserie Consolle	Satz, Konsole Schrauben	
36	81000669/0	1	Cavo Comando Trazione	Cable, Rear Drive	Câble, Commande Traction	Kabel, Antrieb	(General Transmission)

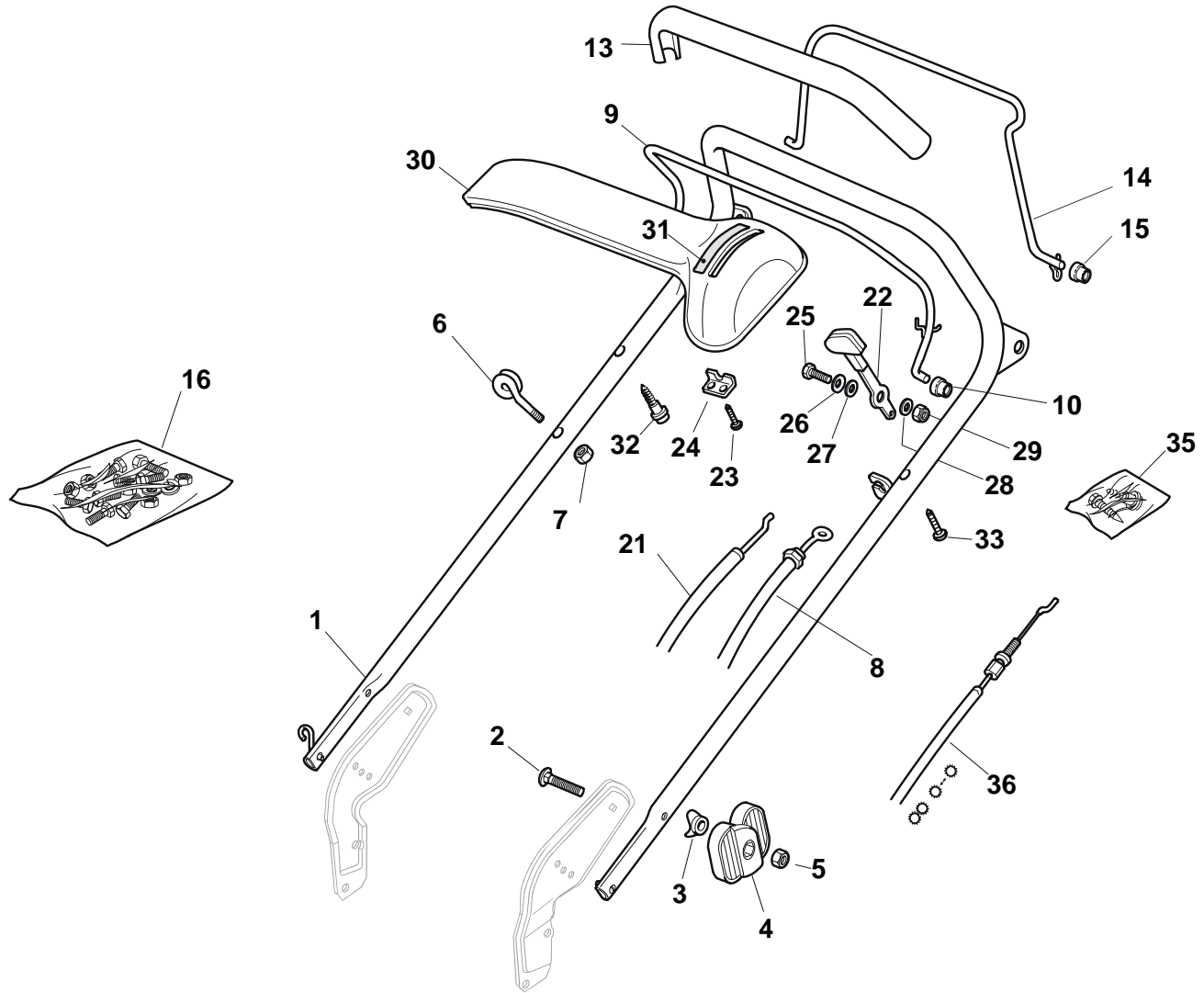
PAN 504 TR 4S - PAN 504 TR/E 4S



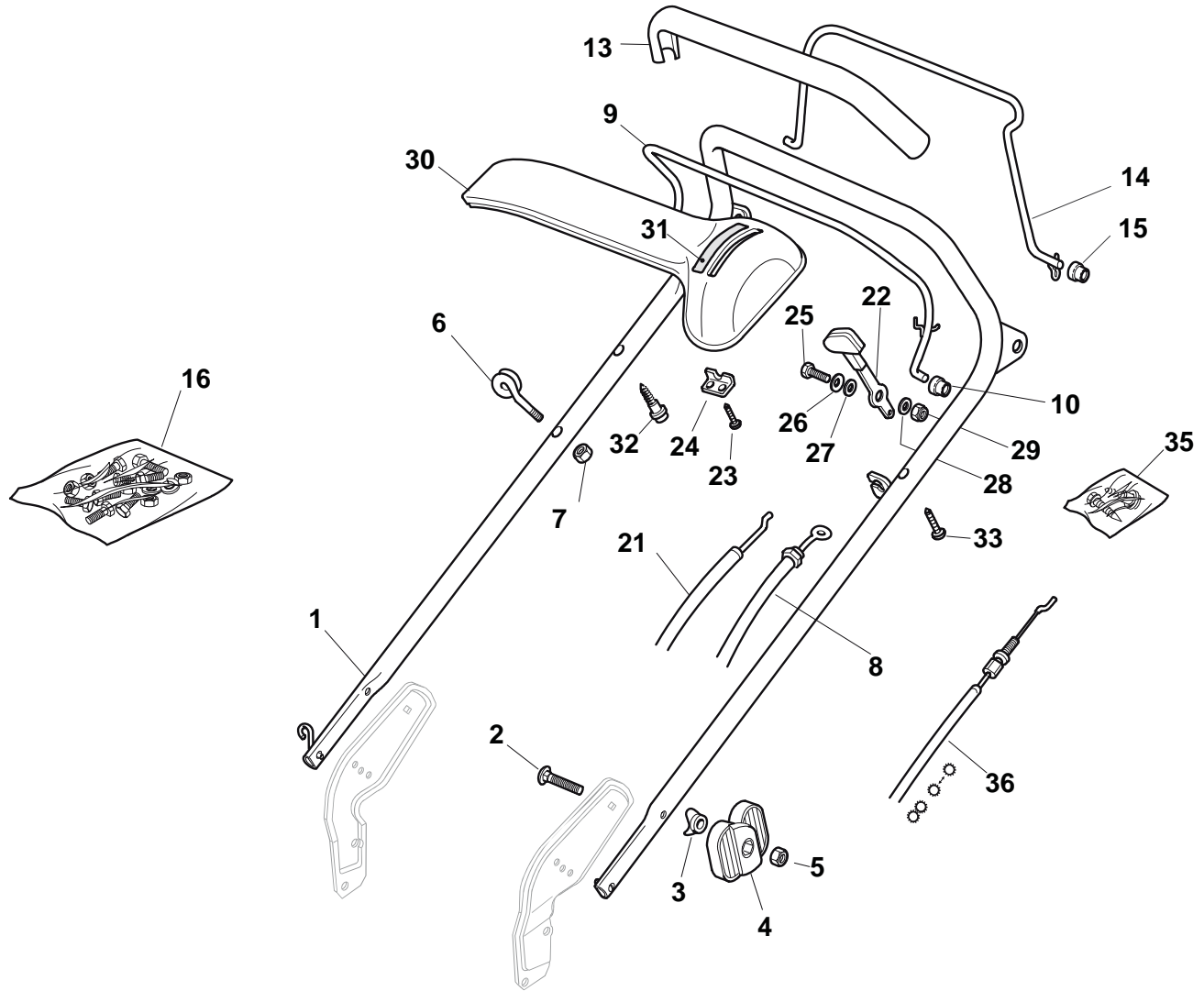
N.	CODE	Q.TY	DESCRIZIONE	DESCRIPTION	DESCRIPTION	BESCHREIBUNG	REMARK
1	81006861/0	1	Manico, Parte Sup	Handle, Upper Part	Mancheron, Partie Superieure	Holm, Oberteil	
2	12819120/0	2	Vite	Screw	Vis	Schraube	
3	22680006/1	2	Rosetta	Washer	Rondelle	Scheibe	
4	22399803/0	2	Manopolina	Knob	Poignée	Griff	
5	12293200/0	2	Dado	Nut	Ecrou	Mutter	
6	22430309/0	1	Molla Guida	Guide Spring	Ressort De Guide	Feder Führer	
7	12154330/0	1	Dado	Nut	Ecrou	Mutter	
8	81000616/1	1	Cavo Freno Motore	Cable, Thread Engine Brake	Cable Frein Moteur	Kabel, Motorbremse	(Honda)
8	81000642/1	1	Cavo Freno Motore	Cable, Thread Engine Brake	Cable Frein Moteur	Kabel, Motorbremse	(B&S 625-675 Series)
8	81000757/0	1	Cavo Freno Motore	Cable, Thread Engine Brake	Cable Frein Moteur	Kabel, Motorbremse	(Ggp 140cc)
8	81000757/0	1	Cavo Freno Motore	Cable, Thread Engine Brake	Cable Frein Moteur	Kabel, Motorbremse	(Ggp 160cc)
8	81000757/0	1	Cavo Freno Motore	Cable, Thread Engine Brake	Cable Frein Moteur	Kabel, Motorbremse	(Ggp 196cc)
9	81003291/3	1	Leva Freno Motore	Lever, Engine Brake	Levier Frein Moteur	Hebel, Motorbremse	
10	22041966/0	2	Bussola	Bush	Douille	Buchse	
11	12728518/0	1	Vite	Screw	Vis	Schraube	
12	22806612/0	1	Supporto	Support	Support	Halter	
13	22291050/0	1	Impugnatura Manico Nera	Handgrip Black	Poignée Noire	Handgriff Schwarz	
14	81003288/1	1	Leva Trazione	Lever, Driving	Levier Traction	Hebel, Antrieb	
15	22041965/1	2	Bussola	Bush	Douille	Buchse	
16	381008610/1	1	Dotazione Viteria	Outfit, Screws	Dotation Visserie	Satz, Schrauben	
21	81007160/0	1	Cavo Acceleratore	Throttle Cable	Cable, Accelérateur	Gashebel Kabel	
22	81007221/0	1	Leva, Acceleratore	Lever, Throttle	Levier,	Hebel, Beshleuniger	(B&S 450-500 Series - Ggp 150 cc)
22	81007280/2	1	Leva, Acceleratore	Lever, Throttle	Levier,	Hebel, Beshleuniger	(B&S 625-675 Series - Honda - Ggp 140-160-196 cc)
23	12735105/0	2	Vite	Screw	Vis	Schraube	
24	22981467/0	1	Piastrina	Plate	Plaquette	Platte	
25	12791500/0	1	Vite	Screw	Vis	Schraube	
26	12530060/0	1	Rosetta Elastica	Elastic Washer	Rondelle Elastique	Elastische Scheibe	



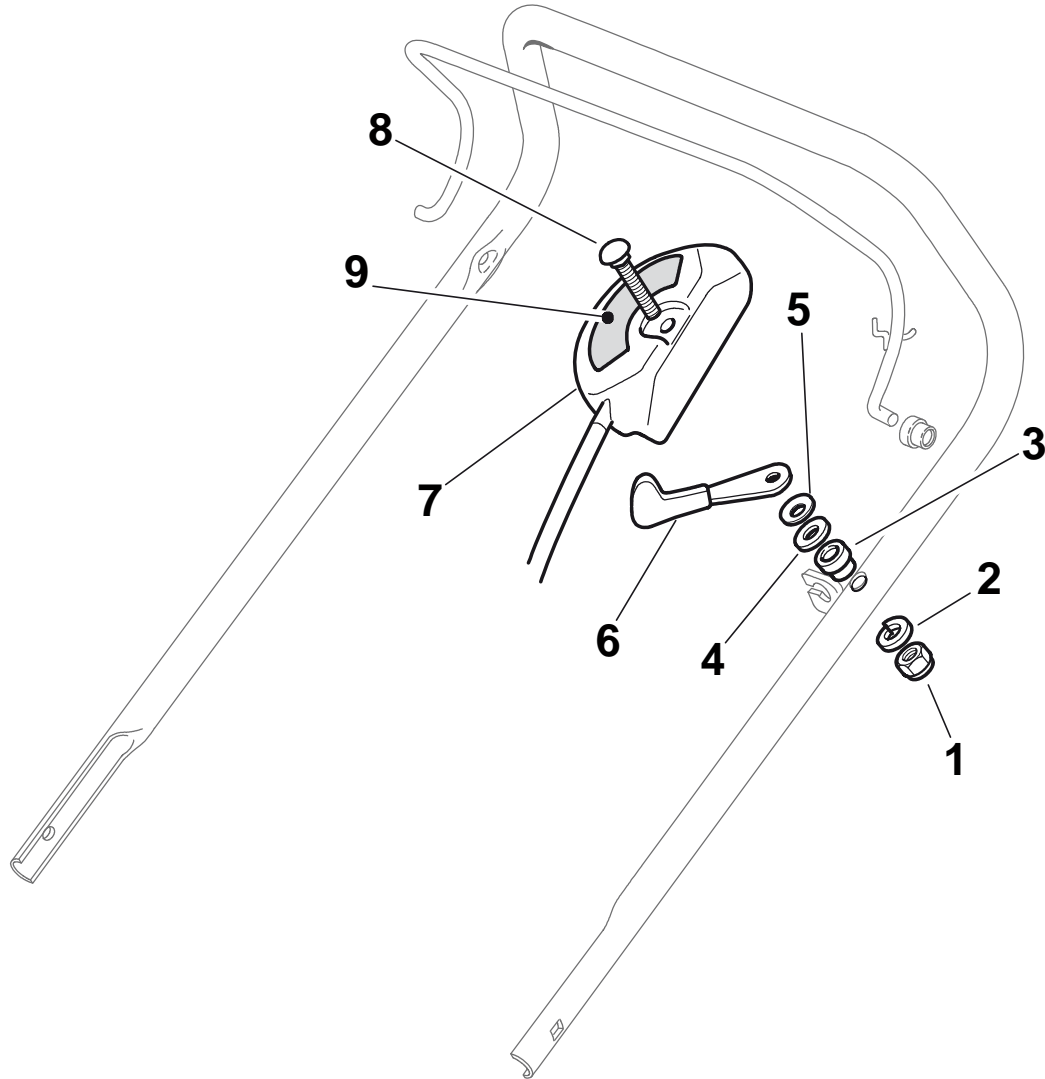
N. CODE	Q.TY	DESCRIZIONE	DESCRIPTION	DESCRIPTION	BESCHREIBUNG	REMARK
27	12523040/0	1 Rosetta	Washer	Rondelle	Scheibe	
28	12523040/0	1 Rosetta	Washer	Rondelle	Scheibe	
29	12154510/0	1 Dado	Nut	Ecrou	Mutter	
31	114356743/1	1 Etichetta	Label	Etiquette	Etikette	(Honda)
31	114356743/1	1 Etichetta	Label	Etiquette	Etikette	(GGP)
31	114356744/1	1 Etichetta	Label	Etiquette	Etikette	(B&S)
31	114356906/1	1 Etichetta	Label	Etiquette	Etikette	(B&S 700 series DOV)
31	114357646/1	1 Etichetta	Label	Etiquette	Etikette	(Honda GCV 160-190 Autochoke)
32	22943006/0	1 Vite	Screw	Vis	Schraube	
33	12728460/0	1 Vite	Screw	Vis	Schraube	
35	81008609/0	1 Dotazione Viteria Cruscotto	Outfit, Dash-Board Screws	Dotation Visserie Consolle	Satz, Konsole Schrauben	
36	81000669/0	1 Cavo Comando Trazione	Cable, Rear Drive	Câble, Commande Traction	Kabel, Antrieb	(General Transmission)
38	22120172/0	1 Cruscotto Nero	Dash Board Black	Console Noire	Konsole Schwarze	
38	22120173/0	1 Cruscotto Rosso	Dash Board Red	Console Rouge	Konsole Rote	
38	22120174/0	1 Cruscotto Giallo	Dash Board Yellow	Console Jaune	Konsole Gelbe	



N.	CODE	Q.TY	DESCRIZIONE	DESCRIPTION	DESCRIPTION	BESCHREIBUNG	REMARK
1	81006861/0	1	Manico, Parte Sup	Handle, Upper Part	Mancheron, Partie Superieure	Holm, Oberteil	
2	12819120/0	2	Vite	Screw	Vis	Schraube	
3	22680006/1	2	Rosetta	Washer	Rondelle	Scheibe	
4	22399803/0	2	Manopolina	Knob	Poignée	Griff	
5	12293200/0	2	Dado	Nut	Ecrou	Mutter	
6	22430309/0	1	Molla Guida	Guide Spring	Ressort De Guide	Feder Führer	
7	12154330/0	1	Dado	Nut	Ecrou	Mutter	
8	81000616/1	1	Cavo Freno Motore	Cable, Thread Engine Brake	Cable Frein Moteur	Kabel, Motorbremse	(Honda)
8	81000642/1	1	Cavo Freno Motore	Cable, Thread Engine Brake	Cable Frein Moteur	Kabel, Motorbremse	(B&S 625-675 Series)
8	81000757/0	1	Cavo Freno Motore	Cable, Thread Engine Brake	Cable Frein Moteur	Kabel, Motorbremse	(Ggp 140cc)
8	81000757/0	1	Cavo Freno Motore	Cable, Thread Engine Brake	Cable Frein Moteur	Kabel, Motorbremse	(Ggp 160cc)
8	81000757/0	1	Cavo Freno Motore	Cable, Thread Engine Brake	Cable Frein Moteur	Kabel, Motorbremse	(Ggp 196cc)
9	81003291/3	1	Leva Freno Motore	Lever, Engine Brake	Levier Frein Moteur	Hebel, Motorbremse	
10	22041966/0	2	Bussola	Bush	Douille	Buchse	
11	12728518/0	1	Vite	Screw	Vis	Schraube	
12	22806612/0	1	Supporto	Support	Support	Halter	
13	22291050/0	1	Impugnatura Manico Nera	Handgrip Black	Poignée Noire	Handgriff Schwarz	
14	81003288/1	1	Leva Trazione	Lever, Driving	Levier Traction	Hebel, Antrieb	
15	22041965/1	2	Bussola	Bush	Douille	Buchse	
16	381008610/1	1	Dotazione Viteria	Outfit, Screws	Dotation Visserie	Satz, Schrauben	
21	81007160/0	1	Cavo Acceleratore	Throttle Cable	Cable, Accelérateur	Gashebel Kabel	
22	81007221/0	1	Leva, Acceleratore	Lever, Throttle	Levier,	Hebel, Beshleuniger	(B&S 450-500 Series - Ggp 150 cc)
22	81007280/2	1	Leva, Acceleratore	Lever, Throttle	Levier,	Hebel, Beshleuniger	(B&S 625-675 Series - Honda - Ggp 140-160-196 cc)
23	12735105/0	2	Vite	Screw	Vis	Schraube	
24	22981467/0	1	Piastrina	Plate	Plaquette	Platte	
25	12791500/0	1	Vite	Screw	Vis	Schraube	
26	12530060/0	1	Rosetta Elastica	Elastic Washer	Rondelle Elastique	Elastische Scheibe	

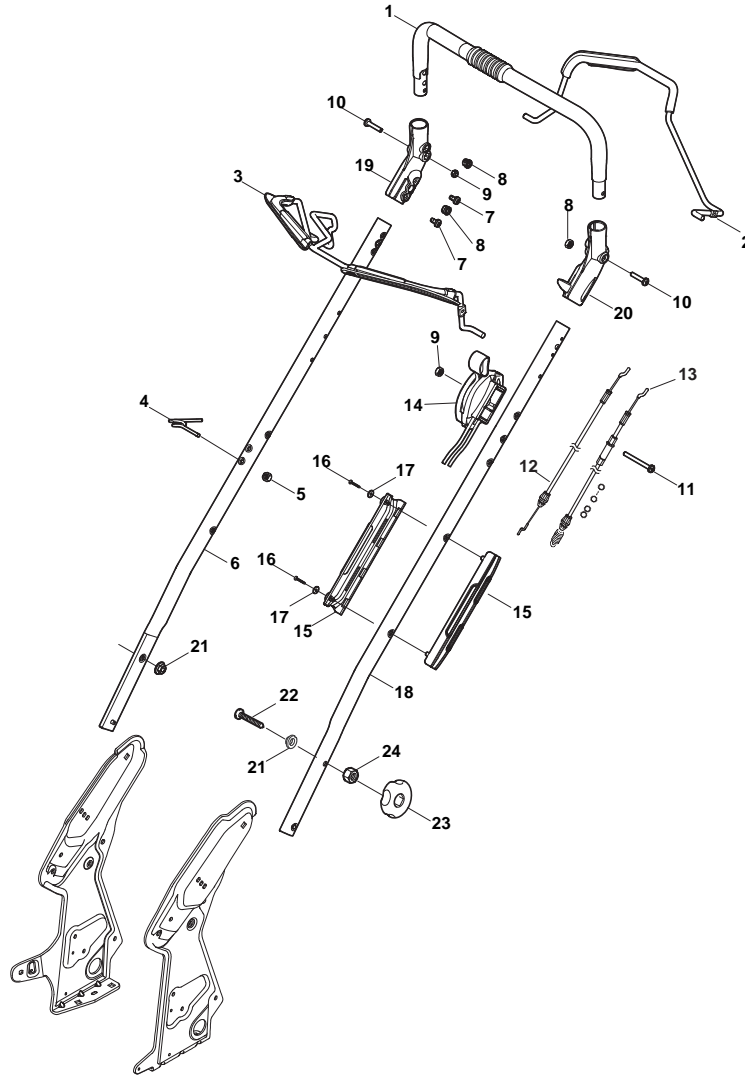


N. CODE	Q.TY	DESCRIZIONE	DESCRIPTION	DESCRIPTION	BESCHREIBUNG	REMARK	
27	12523040/0	1	Rosetta	Washer	Rondelle	Scheibe	
28	12523040/0	1	Rosetta	Washer	Rondelle	Scheibe	
29	12154510/0	1	Dado	Nut	Ecrou	Mutter	
30	22120152/0	1	Cruschetto Giallo	Dash Board Yellow	Console Jaune	Konsole Gelbe	
30	22120154/0	1	Cruschetto Rosso	Dash Board Red	Console Rouge	Konsole Rote	
30	22120158/0	1	Cruschetto Nero	Dash Board Black	Console Noire	Konsole Schwarze	
31	114356743/1	1	Etichetta	Label	Etiquette	Etikette	(Honda)
31	114356743/1	1	Etichetta	Label	Etiquette	Etikette	(GGP)
31	114356744/1	1	Etichetta	Label	Etiquette	Etikette	(B&S)
31	114356906/1	1	Etichetta	Label	Etiquette	Etikette	(B&S 700 series DOV)
31	114357646/1	1	Etichetta	Label	Etiquette	Etikette	(Honda GCV 160-190 Autochoke)
32	22943006/0	1	Vite	Screw	Vis	Schraube	
33	12728460/0	1	Vite	Screw	Vis	Schraube	
35	81008609/0	1	Dotazione Viteria Cruschetto	Outfit, Dash-Board Screws	Dotation Visserie Console	Satz, Konsole Schrauben	
36	81000669/0	1	Cavo Comando Trazione	Cable, Rear Drive	Câble, Commande Traction	Kabel, Antrieb	(General Transmission)



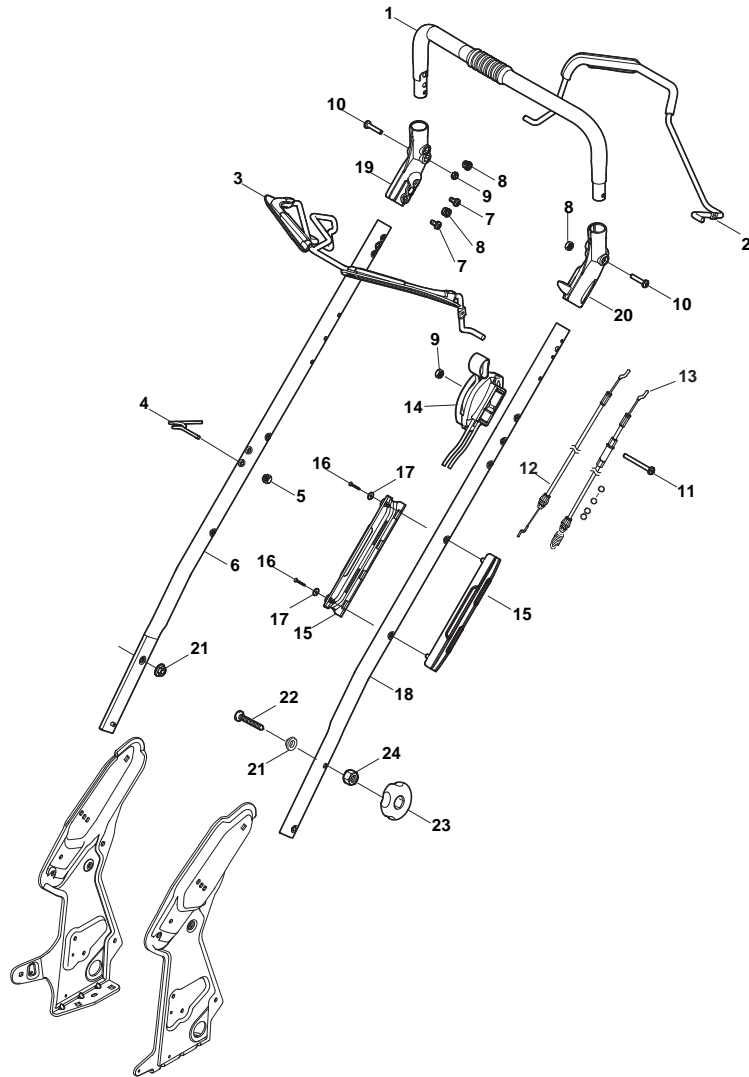
N.	CODE	Q.TY	DESCRIZIONE	DESCRIPTION	DESCRIPTION	BESCHREIBUNG	REMARK
1	12291000/0	1	Dado	Nut	Ecrou	Mutter	
2	12581500/0	1	Grower	Grower	Grower	Federring	
3	22171005/0	1	Distanziale	Spacer	Entretoise	Distanzring	
4	12521360/0	1	Rosetta	Washer	Rondelle	Scheibe	
5	12508100/0	1	Rosetta Elastica	Spring Washer	Rondelle Elastique	Elastische Scheibe	
6	81007220/0	1	Leva, Acceleratore	Lever, Throttle	Levier, Accelérateur	Hebel, Beshleuniger	(B&S 450-500 Series - GGP 150 cc)
6	81007279/1	1	Leva, Acceleratore	Lever, Throttle	Levier, Accelérateur	Hebel, Beshleuniger	(B&S 625-675-700 Series - Honda - GGP 140-160-196 cc)
7	81007080/0	1	Cavo Acceleratore	Throttle Cable	Cable, Accelérateur	Gashebel Kabel	
8	12815000/0	1	Vite	Screw	Vis	Schraube	
9	114356905/0	1	Etichetta	Label	Etiquette	Etikette	(B&S 700 series DOV)
9	114356905/0	1	Etichetta	Label	Etiquette	Etikette	(Honda GCV 160-190 Autochoke)
9	114364264/0	1	Etichetta	Label	Etiquette	Etikette	AVS (GGP 160-196)
9	14356702/0	1	Etichetta	Label	Etiquette	Etikette	(Honda)
9	14356702/0	1	Etichetta	Label	Etiquette	Etikette	(GGP)
9	14356703/0	1	Etichetta	Label	Etiquette	Etikette	(B&S)

PAN 504 TR 4S - PAN 504 TR/E 4S

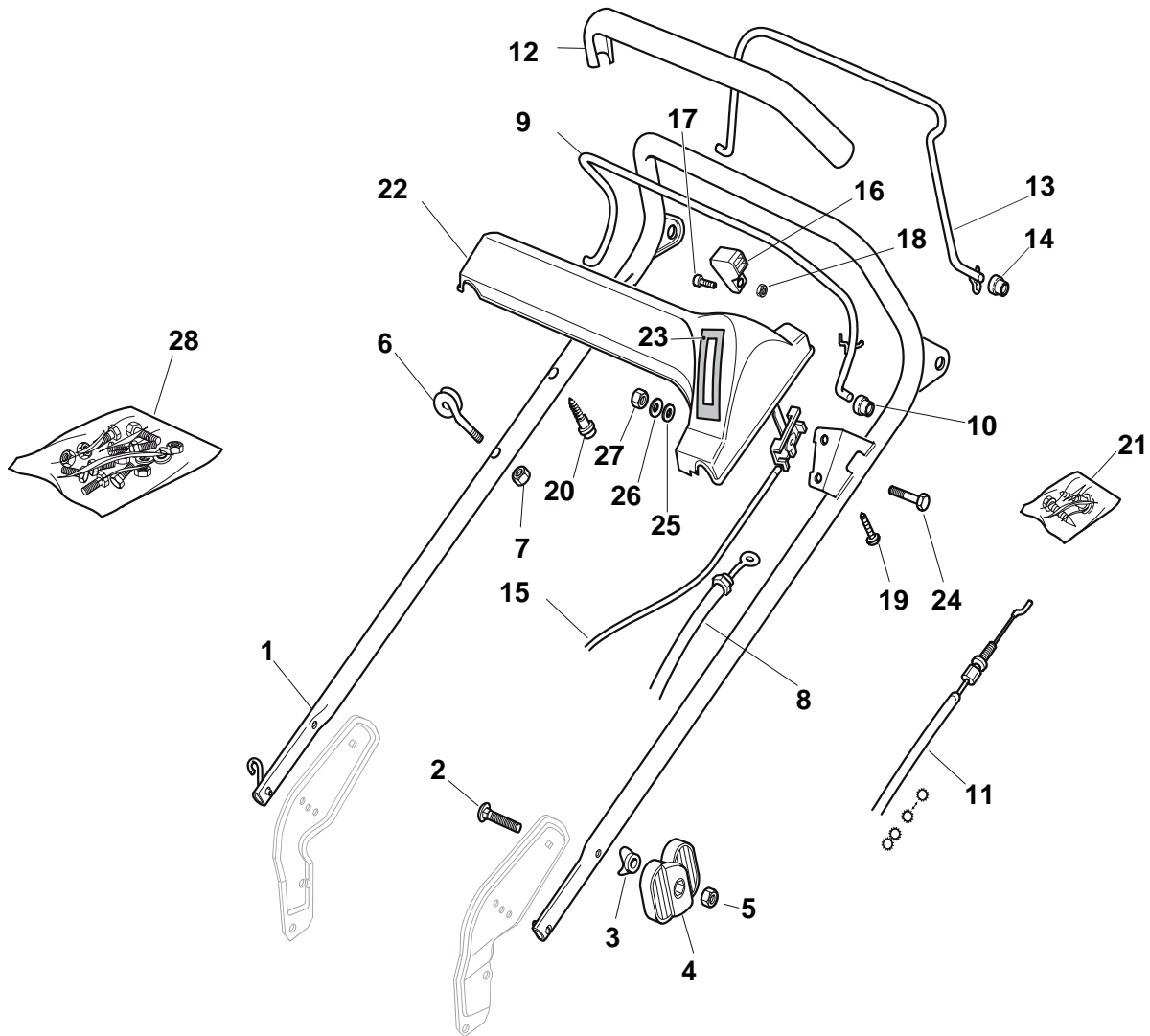


N.	CODE	Q.TY	DESCRIZIONE	DESCRIPTION	DESCRIPTION	BESCHREIBUNG	REMARK
1	381006670/2	1	Impugnatura Manico	Handgrip	Poignée	Handgriff	
2	381003349/0	1	Leva Trazione	Lever, Driving	Levier Traction	Hebel, Antrieb	
3	381003344/0	1	Leva Freno Motore	Lever, Engine Brake	Levier Frein Moteur	Hebel, Motorbremse	
4	22430309/0	1	Molla Guida	Guide Spring	Ressort De Guide	Feder Führer	
5	12154330/0	1	Dado	Nut	Ecrou	Mutter	
6	381006821/0	1	Manico Grigio, Parte Dx	Handle Grey, R	Mancheron Gris, D	Holm Grau, Rechte	
6	381006895/0	1	Manico Nero, Parte Dx	Handle Black, R	Mancheron Noire, D	Holm Schwarz, Rechte	
7	112735662/1	4	Vite	Screw	Vis	Schraube	
8	322041967/0	4	Bussola	Bush	Douille	Buchse	
9	12154510/0	3	Dado	Nut	Ecrou	Mutter	
10	112728721/0	2	Vite	Screw	Vis	Schraube	
11	12727786/0	1	Vite	Screw	Vis	Schraube	
12	181030065/0	1	Cavo Freno Motore	Cable, Thread Eng. Brake	Cable Frein Moteur	Kabel, Motorbremse	
13	381030067/0	1	Cavo Comando Trazione	Cable, Rear Drive	Câble, Commande Traction	Kabel, Antrieb	
14	181005501/1	1	Cavo Acceleratore	Throttle Cable	Cable, Accelérateur	Gashebel Kabel	(GGP 140-160-190 cc)
14	181005502/1	1	Cavo Acceleratore	Throttle Cable	Cable, Accelérateur	Gashebel Kabel	(B&S 450-500-550-625-675-700)
14	181005503/1	1	Cavo Acceleratore	Throttle Cable	Cable, Accelérateur	Gashebel Kabel	(Honda GCV 135-160-190)
15	322806644/0	1	Protezione	Protection	Protection	Schutz	
16	12727812/0	2	Vite	Screw	Vis	Schraube	
17	112523000/1	2	Rosetta	Washer	Rondelle	Scheibe	
18	381006823/0	1	Manico Grigio, Parte Sx	Handle Grey, L	Mancheron Gris, G	Holm Grau, Linke	
18	381006897/0	1	Manico Nero, Parte Sx	Handle Black, L	Mancheron Noire, G	Holm Schwarz, Linke	
19	322488301/0	1	Supporto	Support	Support	Halter	
20	322488303/0	1	Supporto	Support	Support	Halter	
21	22671651/0	2	Rosetta	Washer	Rondelle	Scheibe	
22	112819105/0	2	Vite	Screw	Vis	Schraube	
23	322399804/1	2	Manopoliina	Knob	Poignée	Griff	

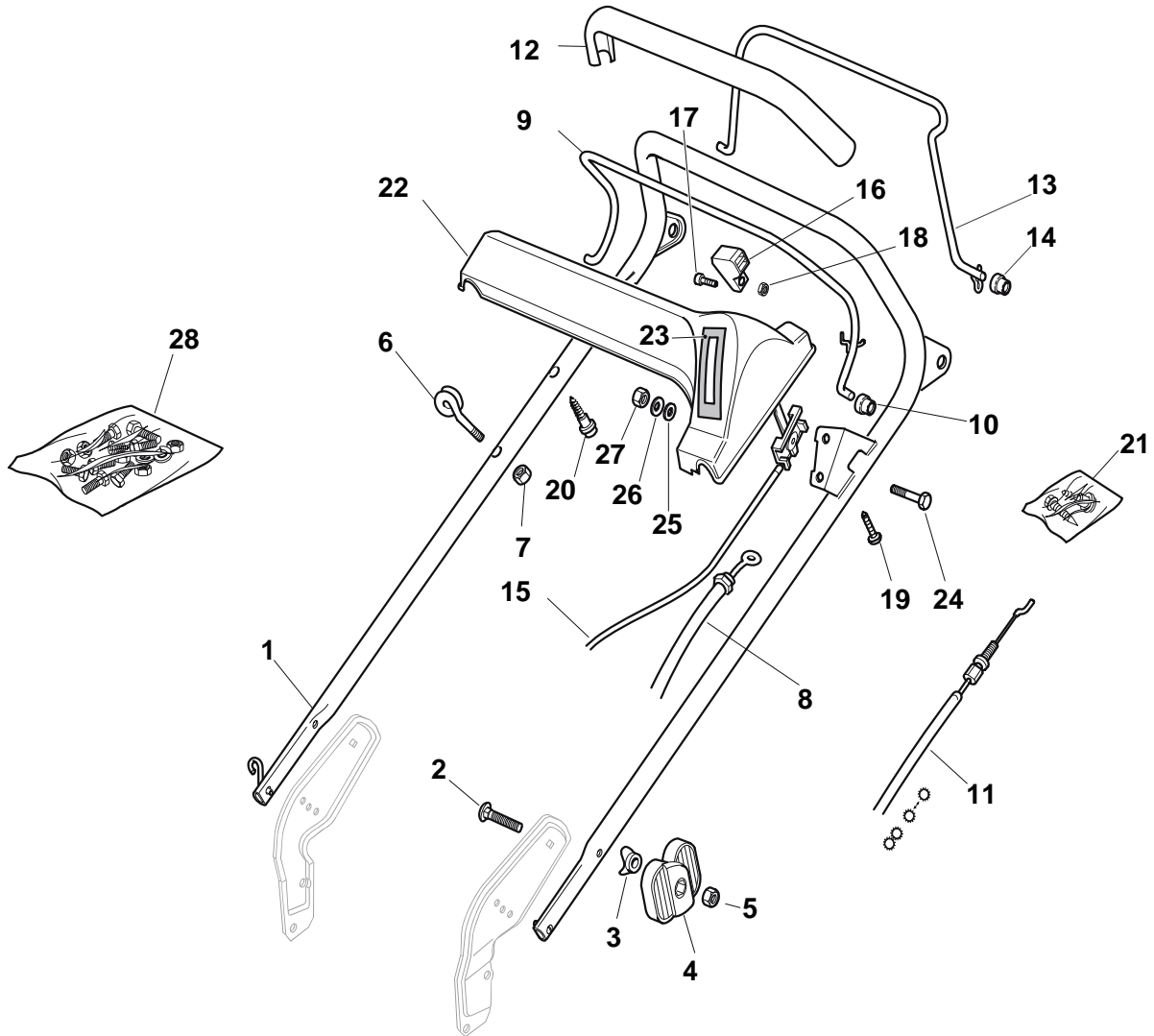
PAN 504 TR 4S - PAN 504 TR/E 4S



N. CODE	Q.TY	DESCRIZIONE	DESCRIPTION	DESCRIPTION	BESCHREIBUNG	REMARK	
24	12293200/0	2	Dado	Nut	Ecrou	Mutter	

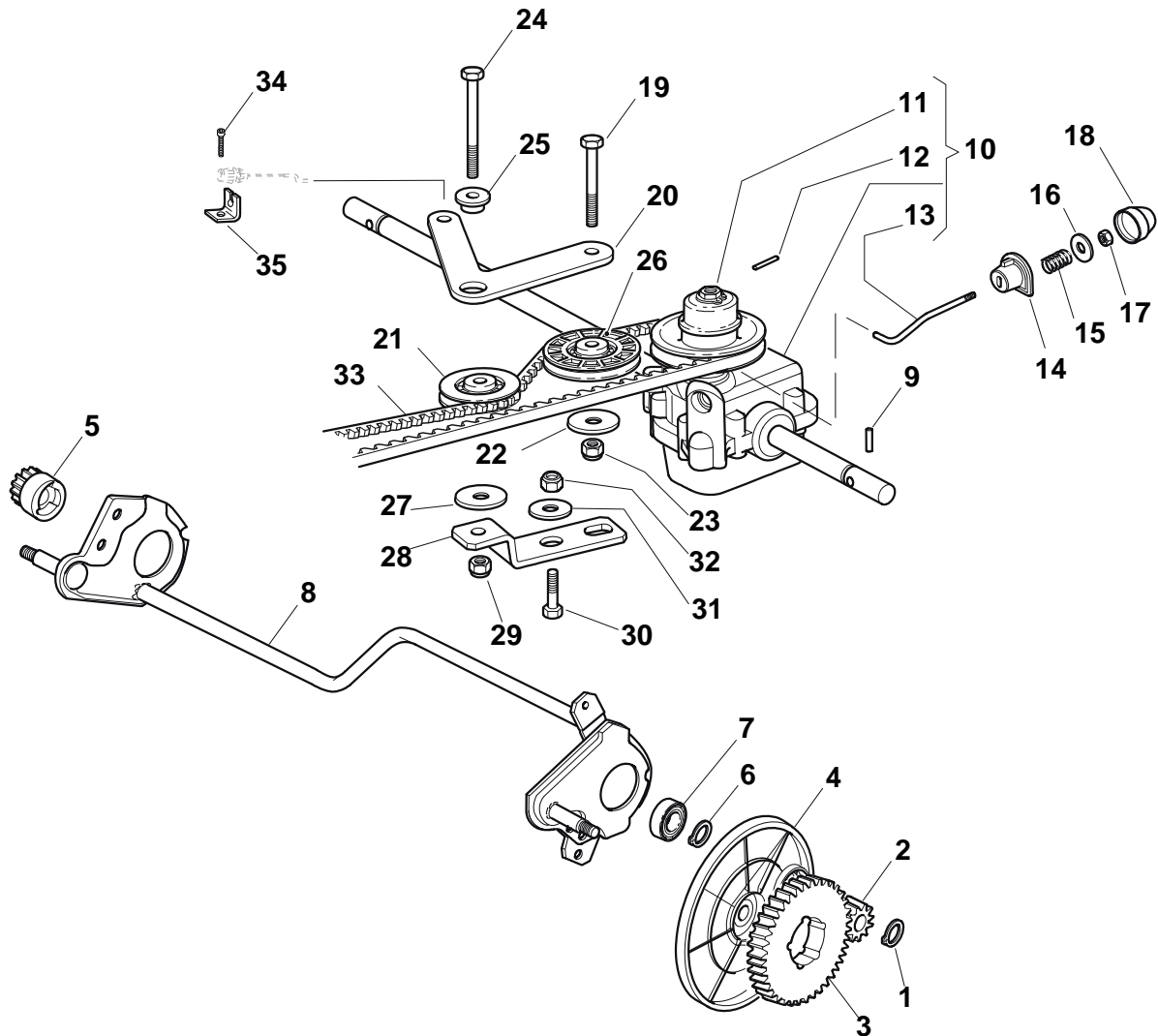


N.	CODE	Q.TY	DESCRIZIONE	DESCRIPTION	DESCRIPTION	BESCHREIBUNG	REMARK
1	81007028/1	1	Manico, Parte Sup	Handle, Upper Part	Mancheron, Partie Superieure	Holm, Oberteil	
2	12819120/0	2	Vite	Screw	Vis	Schraube	
3	22680006/1	2	Rosetta	Washer	Rondelle	Scheibe	
4	22399803/0	2	Manopolina	Knob	Poignée	Griff	
5	12293200/0	2	Dado	Nut	Ecrou	Mutter	
6	22430309/0	1	Molla Guida	Guide Spring	Ressort De Guide	Feder Führer	
7	12154330/0	1	Dado	Nut	Ecrou	Mutter	
8	181030006/0	1	Cavo Freno Motore	Cable, Thread Engine Brake	Cable Frein Moteur	Kabel, Motorbremse	(B&S 700 Series DOV)
8	81000616/1	1	Cavo Freno Motore	Cable, Thread Engine Brake	Cable Frein Moteur	Kabel, Motorbremse	(Ggp 196cc)
8	81000616/1	1	Cavo Freno Motore	Cable, Thread Engine Brake	Cable Frein Moteur	Kabel, Motorbremse	(Ggp 160cc)
8	81000616/1	1	Cavo Freno Motore	Cable, Thread Engine Brake	Cable Frein Moteur	Kabel, Motorbremse	(Honda)
8	81000634/0	1	Cavo Freno Motore	Cable, Thread Engine Brake	Cable Frein Moteur	Kabel, Motorbremse	534 Tr/E (B&S 675 Series Es)
8	81000757/0	1	Cavo Freno Motore	Cable, Thread Engine Brake	Cable Frein Moteur	Kabel, Motorbremse	(B&S 625-675 Series)
8	81000757/0	1	Cavo Freno Motore	Cable, Thread Engine Brake	Cable Frein Moteur	Kabel, Motorbremse	(B&S 675 Series)
8	81000757/0	1	Cavo Freno Motore	Cable, Thread Engine Brake	Cable Frein Moteur	Kabel, Motorbremse	(GGP 160cc)
8	81000757/0	1	Cavo Freno Motore	Cable, Thread Engine Brake	Cable Frein Moteur	Kabel, Motorbremse	(GGP 196cc)
8	81000757/0	1	Cavo Freno Motore	Cable, Thread Engine Brake	Cable Frein Moteur	Kabel, Motorbremse	(GGP 140cc)
9	81003291/3	1	Leva Freno Motore	Lever, Engine Brake	Levier Frein Moteur	Hebel, Motorbremse	
10	22041966/0	2	Bussola	Bush	Douille	Buchse	
11	81000669/0	1	Cavo Comando Trazione	Cable, Rear Drive	Câble, Commande Traction	Kabel, Antrieb	(General Transmission)
11	81000673/0	1	Cavo Comando Trazione	Cable, Rear Drive	Câble, Commande Traction	Kabel, Antrieb	(Bi Ci Di)
12	22291050/0	1	Impugnatura Manico Nera	Handgrip Black	Poignée Noire	Handgriff Schwarz	
13	81003288/1	1	Leva Trazione	Lever, Driving	Levier Traction	Hebel, Antrieb	
14	22041965/1	2	Bussola	Bush	Douille	Buchse	
15	81007091/0	1	Cavo Acceleratore	Throttle Cable	Cable, Accelérateur	Gashebel Kabel	(B&S)
15	81007092/0	1	Cavo Acceleratore	Throttle Cable	Cable, Accelérateur	Gashebel Kabel	(Honda - Ggp)
16	22399801/0	1	Manopolina	Knob	Poignée	Griff	



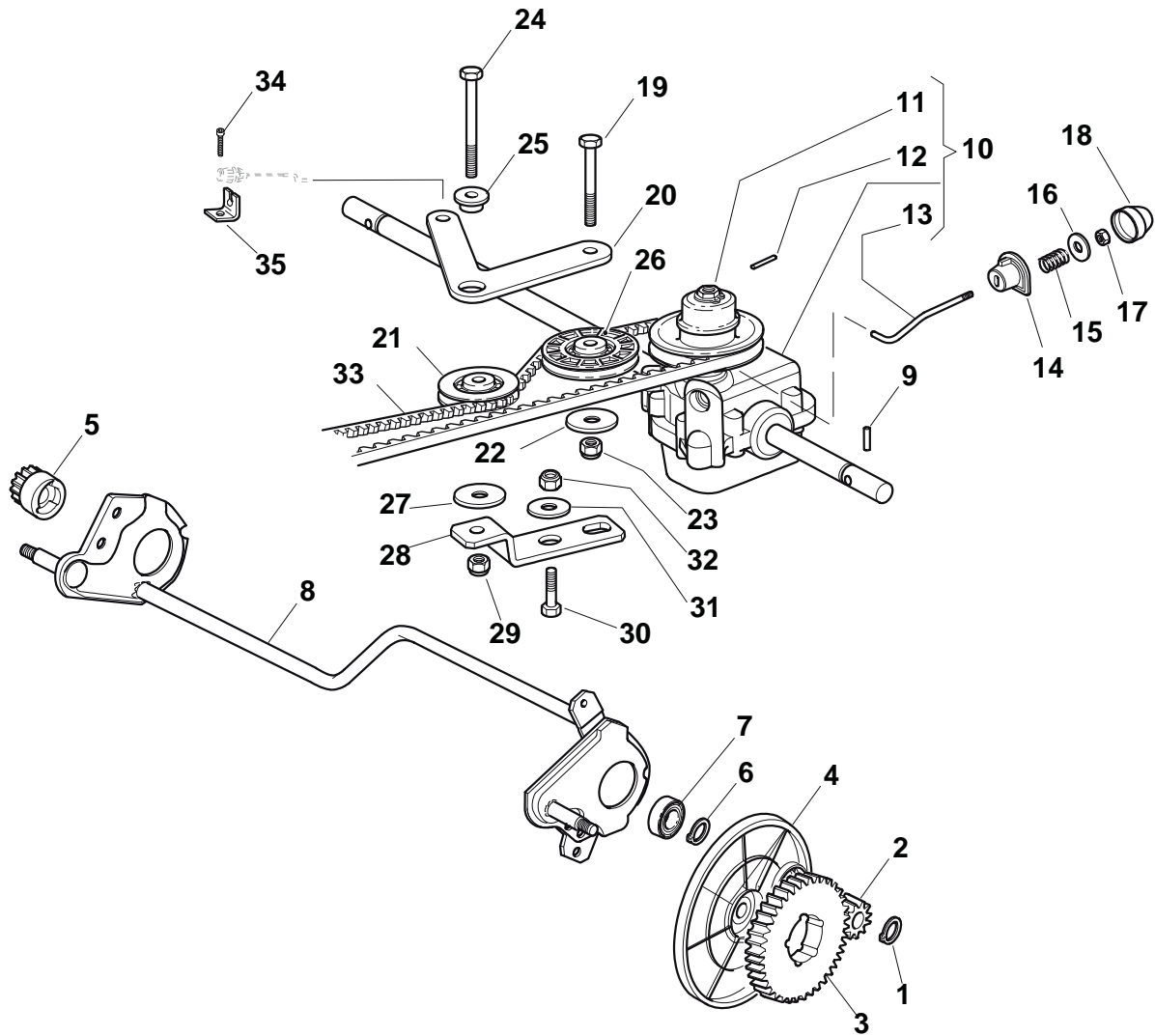
N.	CODE	Q.TY	DESCRIZIONE	DESCRIPTION	DESCRIPTION	BESCHREIBUNG	REMARK
17	12726388/0	1	Vite	Screw	Vis	Schraube	
18	12290800/0	1	Dado	Nut	Ecrou	Mutter	
19	12728460/0	1	Vite	Screw	Vis	Schraube	
20	22943006/0	1	Vite	Screw	Vis	Schraube	
21	81008499/1	1	Dotazione Viteria Cruscotto	Outfit, Dash-Board Screws	Dotation Visserie Consolle	Satz, Consolle Schrauben	
22	22120148/0	1	Cruscotto Giallo	Dash Board Yellow	Console Jaune	Konsole Gelbe	
22	22120150/0	1	Cruscotto Rosso	Dash Board Red	Console Rouge	Konsole Rote	
22	22120164/0	1	Cruscotto Nero	Dash Board Black	Console Noire	Konsole Schwarze	
23	114356795/1	1	Etichetta	Label	Etiquette	Etikette	(B&S)
23	114356797/1	1	Etichetta	Label	Etiquette	Etikette	(Honda)
23	114357387/0	1	Etichetta	Label	Etiquette	Etikette	(Honda GCV 160-190 Autochoke)
23	114357651/1	1	Etichetta	Label	Etiquette	Etikette	(B&S 700 series DOV)
23	114357651/1	1	Etichetta	Label	Etiquette	Etikette	(Honda GCV 160-190 Autochoke)
23	14356692/0	1	Etichetta	Label	Etiquette	Etikette	(Honda)
23	14356693/0	1	Etichetta	Label	Etiquette	Etikette	(B&S)
23	14361477/0	1	Etichetta	Label	Etiquette	Etikette	(Ggp)
24	12788910/0	2	Vite	Screw	Vis	Schraube	
25	12523020/0	2	Rosetta	Washer	Rondelle	Scheibe	
26	12581500/0	2	Grower	Grower	Grower	Federring	
27	12291000/0	2	Dado	Nut	Ecrou	Mutter	
28	381008610/1	1	Dotazione Viteria	Outfit, Screws	Dotation Visserie	Satz, Schrauben	

PAN 504 TR 4S - PAN 504 TR/E 4S

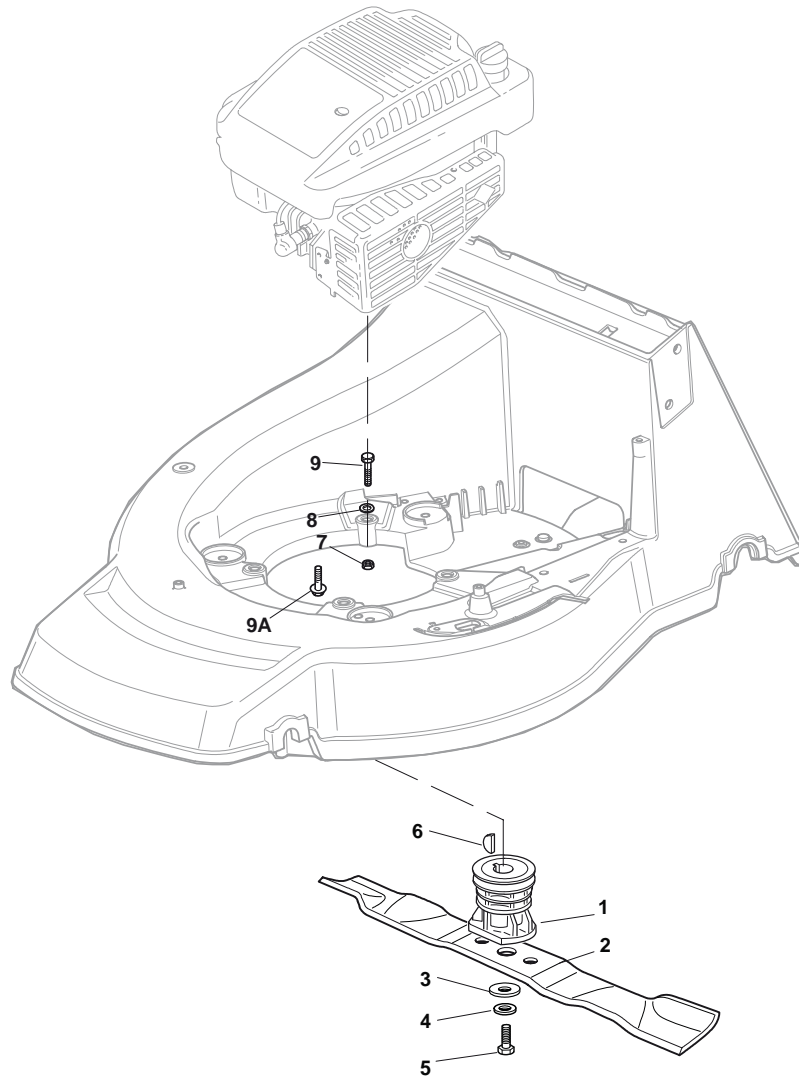


N.	CODE	Q.TY	DESCRIZIONE	DESCRIPTION	DESCRIPTION	BESCHREIBUNG	REMARK
1	12608600/0	2	Seeger	Seeger	Seeger	Seeger	
2	22570120/1	1	Pignone Sx	Pinion L	Pignon G	Ritzel Linkes	
3	22120105/1	2	Corona	Ring Gear	Couronne	Kranz	
4	22600091/1	2	Prot. Ruote	Protection, Wheel	Protection Roue	Schütz, Räder	
5	22570110/1	1	Pignone Dx	Pinion R	Pignon D	Ritzel Rechtes	
6	12608600/0	2	Seeger	Seeger	Seeger	Seeger	
7	19216035/0	2	Cuscinetto	Bearing	Coussinet	Lager	
8	81002811/0	1	Asse Ruote Posteriori	Axle, Rear Wheels	Axe Roues Arriere	Achse, Hinterrad	
9	22753000/0	2	Spina	Pin	Goupille	Stift	
10	181003097/1	1	Gruppo Trazione	Gear Box	Groupe Traction	Antrieb	(General Transmission)
11	122601925/0	1	Puleggia	Pulley	Poulie	Riemenscheibe	
12	12645705/0	1	Spina	Pin	Goupille	Stift	
13	22033286/1	1	Asta Regolazione	Adjustment Rod	Tige Reglage	Verstellungstange	
14	22041957/1	1	Bussola	Bush	Douille	Buchse	
15	22450063/0	1	Molla	Spring	Ressort	Feder	
16	22680009/0	1	Rosetta	Washer	Rondelle	Scheibe	
17	12154510/0	1	Dado	Nut	Ecrou	Mutter	
18	22110230/0	1	Tappo	Cap	Bouchon	Gummistopfen	
19	12674701/0	1	Vite	Screw	Vis	Schraube	
20	22320005/0	1	Leva	Lever	Levier	Hebel	
21	22601915/0	1	Puleggia	Pulley	Poulie	Riemenscheibe	
22	12523050/0	1	Rosetta	Washer	Rondelle	Scheibe	
23	12154510/0	1	Dado	Nut	Ecrou	Mutter	
24	12689500/0	1	Vite	Screw	Vis	Schraube	
25	22671656/0	1	Rosetta	Washer	Rondelle	Scheibe	
26	22601914/0	1	Puleggia	Pulley	Poulie	Riemenscheibe	
27	12523050/0	1	Rosetta	Washer	Rondelle	Scheibe	

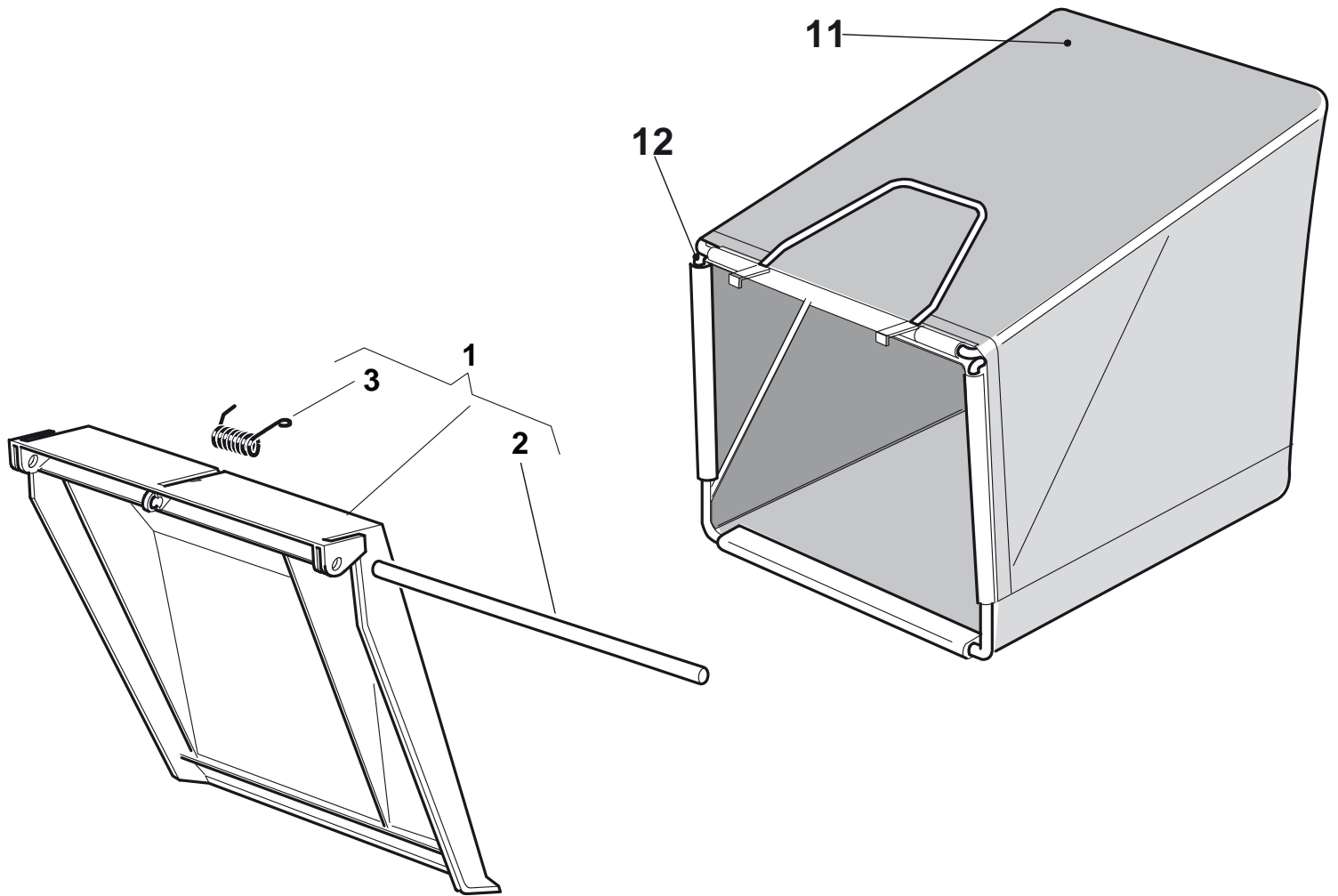
PAN 504 TR 4S - PAN 504 TR/E 4S



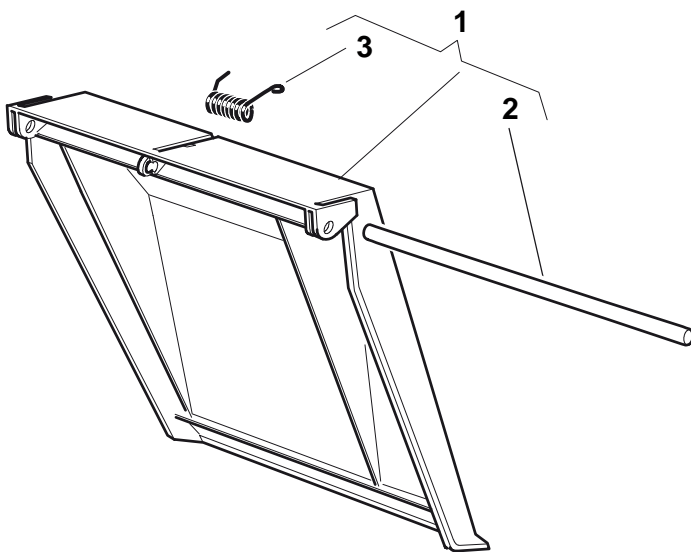
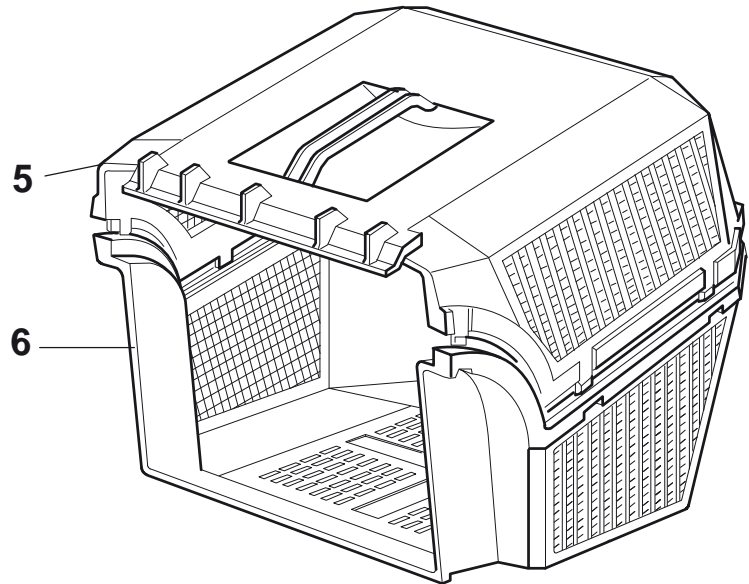
N. CODE	Q.TY	DESCRIZIONE	DESCRIPTION	DESCRIPTION	BESCHREIBUNG	REMARK	
28	22806627/0	1	Supporto	Support	Support	Halter	
29	12154510/0	1	Dado	Nut	Ecrou	Mutter	
30	12791011/0	1	Vite	Screw	Vis	Schraube	
31	12523040/0	1	Rosetta	Washer	Rondelle	Scheibe	
32	12154510/0	1	Dado	Nut	Ecrou	Mutter	
33	35064390/0	1	Cinghia Spzx 900	Belt Spzx 900	Courroie Spzx 900	Riemen Spzx 900	
34	12729601/1	1	Vite	Screw	Vis	Schraube	
35	22806619/0	1	Supporto	Support	Support	Halter	



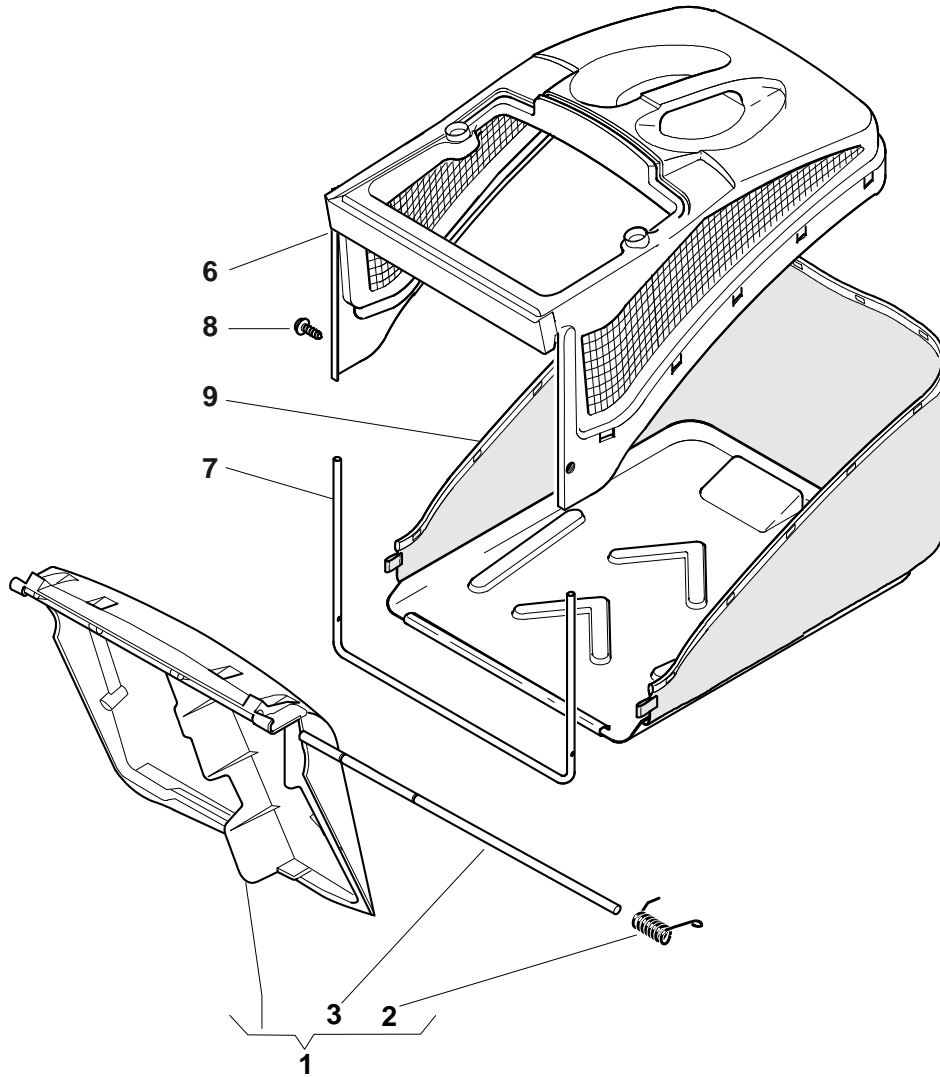
N.	CODE	Q.TY	DESCRIZIONE	DESCRIPTION	DESCRIPTION	BESCHREIBUNG	REMARK
1	122465607/3	1	Mozzo, Albero Motore Ø 22.2	Hub, Crankshaft Ø 22.2	Moyeu, Arbre Moteur Ø 22.2	Halter, Motorwelle Ø 22.2	(B&S - GGP)
1	122465608/2	1	Mozzo, Albero Motore Ø 25	Hub, Crankshaft Ø 25	Moyeu, Arbre Moteur Ø 25	Halter, Motorwelle Ø 25	(Honda)
2	81004366/2	1	Coltello Standard	Blade Standard	Lame Standard	Messer Standard	
3	22160400/0	1	Disco Elastico	Elastic Washer	Rondelle Elastique	Elastischescheibe	
4	12523080/0	1	Rosetta	Washer	Rondelle	Scheibe	
5	12735698/0	1	Vite	Screw	Vis	Schraube	
6	12139100/0	1	Linguetta, Albero Motore Ø 22.2	Feather, Crankshaft Ø 22.2	Clavette, Arbre Moteur Ø 22.2	Keil, Motorwelle Ø 22.2	(B&S - GGP)
6	12139150/0	1	Linguetta, Albero Motore Ø 25	Feather, Crankshaft Ø 25	Clavette, Arbre Moteur Ø 25	Keil, Motorwelle Ø 25	(Honda)
7	12155000/0	3	Dado	Nut	Ecrou	Mutter	
8	12521350/0	3	Rosetta	Washer	Rondelle	Scheibe	
9A	112735108/1	3	Vite	Screw	Vis	Schraube	(Honda)
9	12691800/0	2	Vite	Screw	Vis	Schraube	(B&S)
9	12691900/0	3	Vite	Screw	Vis	Schraube	(Ggp)
9	12692080/0	1	Vite	Screw	Vis	Schraube	(B&S)



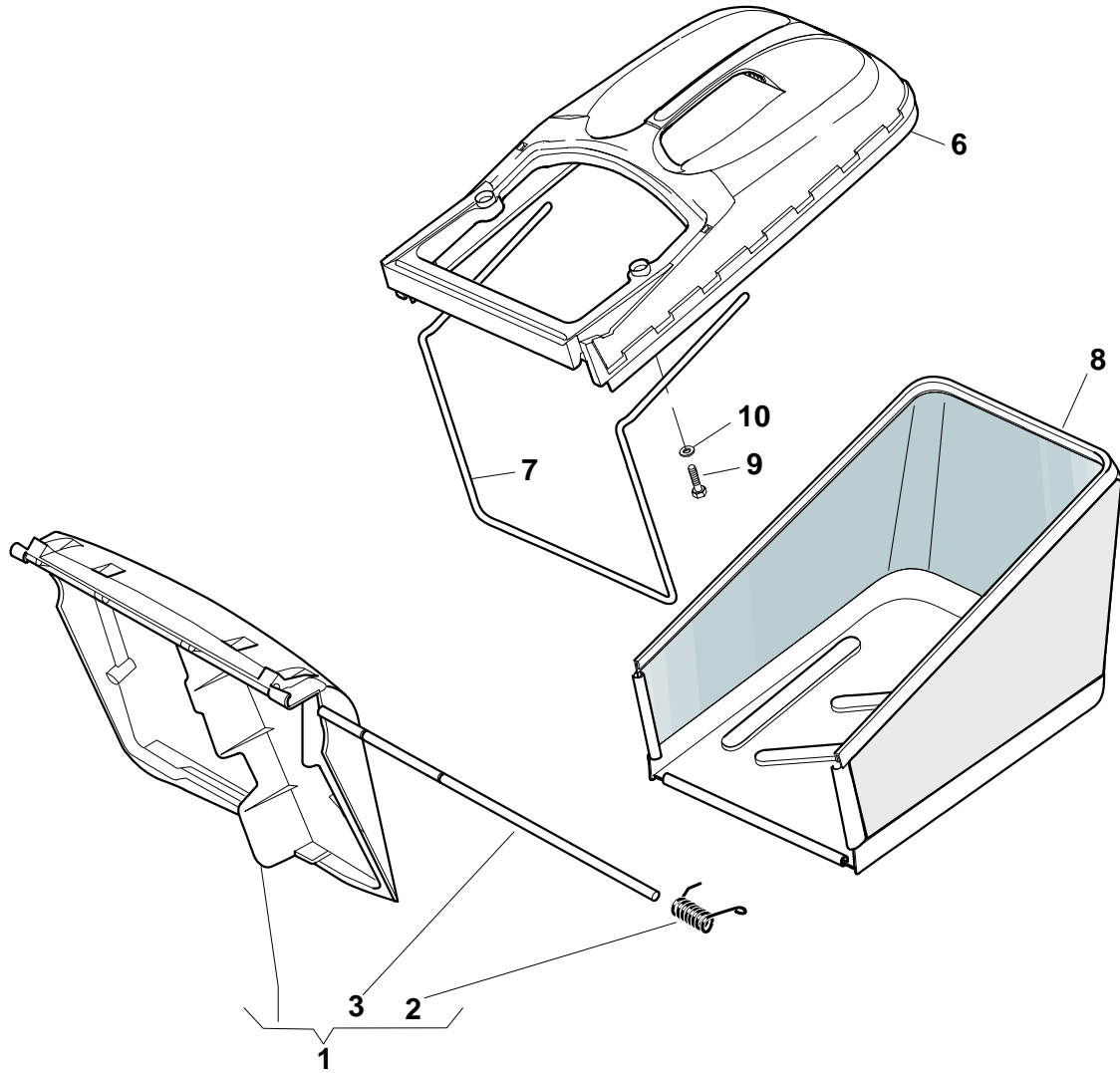
N.	CODE	Q.TY	DESCRIZIONE	DESCRIPTION	DESCRIPTION	BESCHREIBUNG	REMARK
1	381008041/0	1	Parasassi	Stone-Guard	Pare-Pierres	Prallblech	
1	381008044/0	1	Parasassi	Stone-Guard	Pare-Pierres	Prallblech	
2	22450270/0	1	Molla	Spring	Ressort	Feder	
2	22517856/1	1	Perno	Pin	Pivot	Bolzen	
3	22450270/0	1	Molla	Spring	Ressort	Feder	
3	22517907/0	1	Perno	Pin	Pivot	Bolzen	
5	22486065/0	1	Sacco, Parte Sup	Grass-Box, Upper	Sac, Partie Superieure	Korb, Oberteil	
11	81002124/1	1	Sacco, Tela	Box, Fabric	Sac, Toile	Sack, Tuck	
12	81006430/0	1	Telaio Sacco	Chassis Box	Châssis Bac	Rahmen Sack	



N.	CODE	Q.TY	DESCRIZIONE	DESCRIPTION	DESCRIPTION	BESCHREIBUNG	REMARK
1	381008041/0	1	Parasassi	Stone-Guard	Pare-Pierres	Prallblech	
1	381008044/0	1	Parasassi	Stone-Guard	Pare-Pierres	Prallblech	
2	22450270/0	1	Molla	Spring	Ressort	Feder	
2	22517856/1	1	Perno	Pin	Pivot	Bolzen	
3	22450270/0	1	Molla	Spring	Ressort	Feder	
3	22517907/0	1	Perno	Pin	Pivot	Bolzen	
5	22486064/0	1	Sacco, Parte Inf	Grass-Box, Lower	Sac, Partie Inferieure	Korb, Unterteil	
5	22486065/0	1	Sacco, Parte Sup	Grass-Box, Upper	Sac, Partie Superieure	Korb, Oberteil	
6	22486064/0	1	Sacco, Parte Inf	Grass-Box, Lower	Sac, Partie Inferieure	Korb, Unterteil	



N.	CODE	Q.TY	DESCRIZIONE	DESCRIPTION	DESCRIPTION	BESCHREIBUNG	REMARK
1	381008042/0	1	Parasassi	Stone-Guard	Pare-Pierres	Prallblech	
1	381008050/0	1	Parasassi	Stone-Guard	Pare-Pierres	Prallblech	
2	22451000/0	1	Molla	Spring	Ressort	Feder	
3	22517857/0	1	Perno	Pin	Pivot	Bolzen	
3	22517907/0	1	Perno	Pin	Pivot	Bolzen	
6	22486094/0	1	Sacco, Parte Sup	Grass-Box, Upper	Sac, Partie	Korb, Oberteil	
7	22608524/0	1	Rinforzo Inf	Stiffening Lower	Réinforcement Inf	Verstärkung	
8	12728445/0	2	Vite	Screw	Vis	Schraube	
9	81002196/0	1	Sacco, Tela	Box, Fabric	Sac, Toile	Sack, Tuck	



N.	CODE	Q.TY	DESCRIZIONE	DESCRIPTION	DESCRIPTION	BESCHREIBUNG	REMARK
1	381008042/0	1	Parasassi	Stone-Guard	Pare-Pierres	Prallblech	
1	381008050/0	1	Parasassi	Stone-Guard	Pare-Pierres	Prallblech	
2	22451000/0	1	Molla	Spring	Ressort	Feder	
3	22517857/0	1	Perno	Pin	Pivot	Bolzen	
6	22486102/0	1	Sacco, Parte Sup	Grass-Box, Upper	Sac, Partie	Korb, Oberteil	
7	22608526/0	1	Rinforzo Inf	Stiffening Lower	Réinforcement Inf	Verstärkung	
8	81002212/0	1	Sacco, Tela	Box, Fabric	Sac, Toile	Sack, Tuck	
9	12728680/0	2	Vite	Screw	Vis	Schraube	
10	12523050/0	2	Rosetta	Washer	Rondelle	Scheibe	