

Genuine Spare Parts

NT 484 TR 4S - NT 484 TR/E 4S

Catalogo delle parti di ricambio
Spare parts catalogue
Catalogue des pieces de rechange
Ersatzteilkatalog

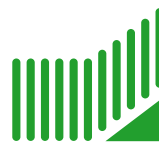
2011

- Use GLOBAL GARDEN PRODUCT Genuine Spare Parts specified in the parts list for repair and/or replacement.
- The contents described in the parts list may change due to improvement.
- The drawings of the spare parts are only indicative and might not represent the part in question exactly.
- The indications "right" - "left" - "front" - "rear" refer to the position of the operator when using the machine.
- When placing orders of parts for repair and/or replacement, make sure that the illustrated parts list is the one applying to the machine's year of manufacture, as shown on the identification plate attached to the machine.

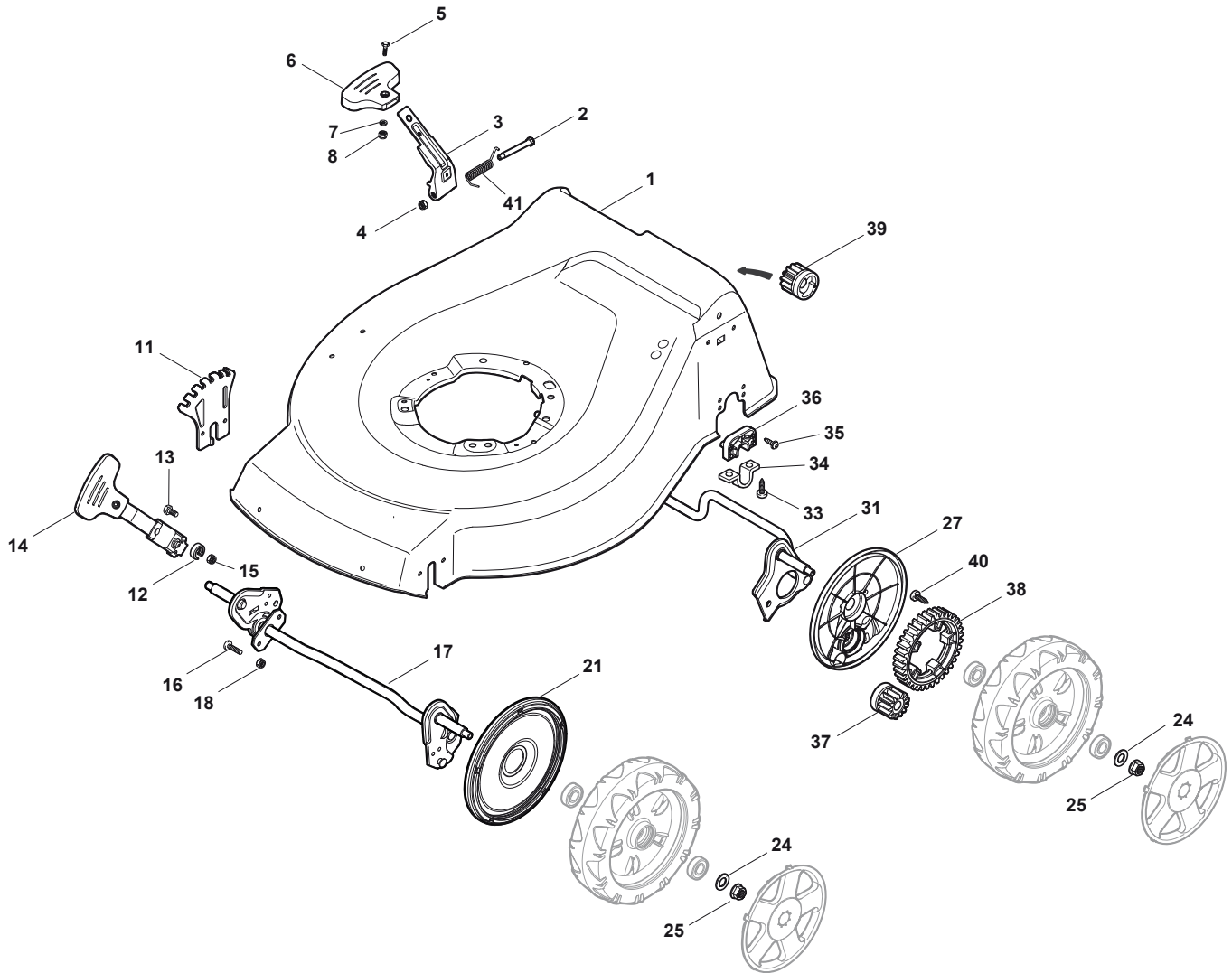
© Copyright 2011 Global Garden Products

All content is subject to copyright by Global Garden Products and may not be reproduced in whole or in part by any means, electronic or otherwise, without prior written approval.

THIS INFORMATION IS NOT INTENDED FOR SALE OR RESALE, AND THIS NOTICE MUST REMAIN ON ALL COPIES.

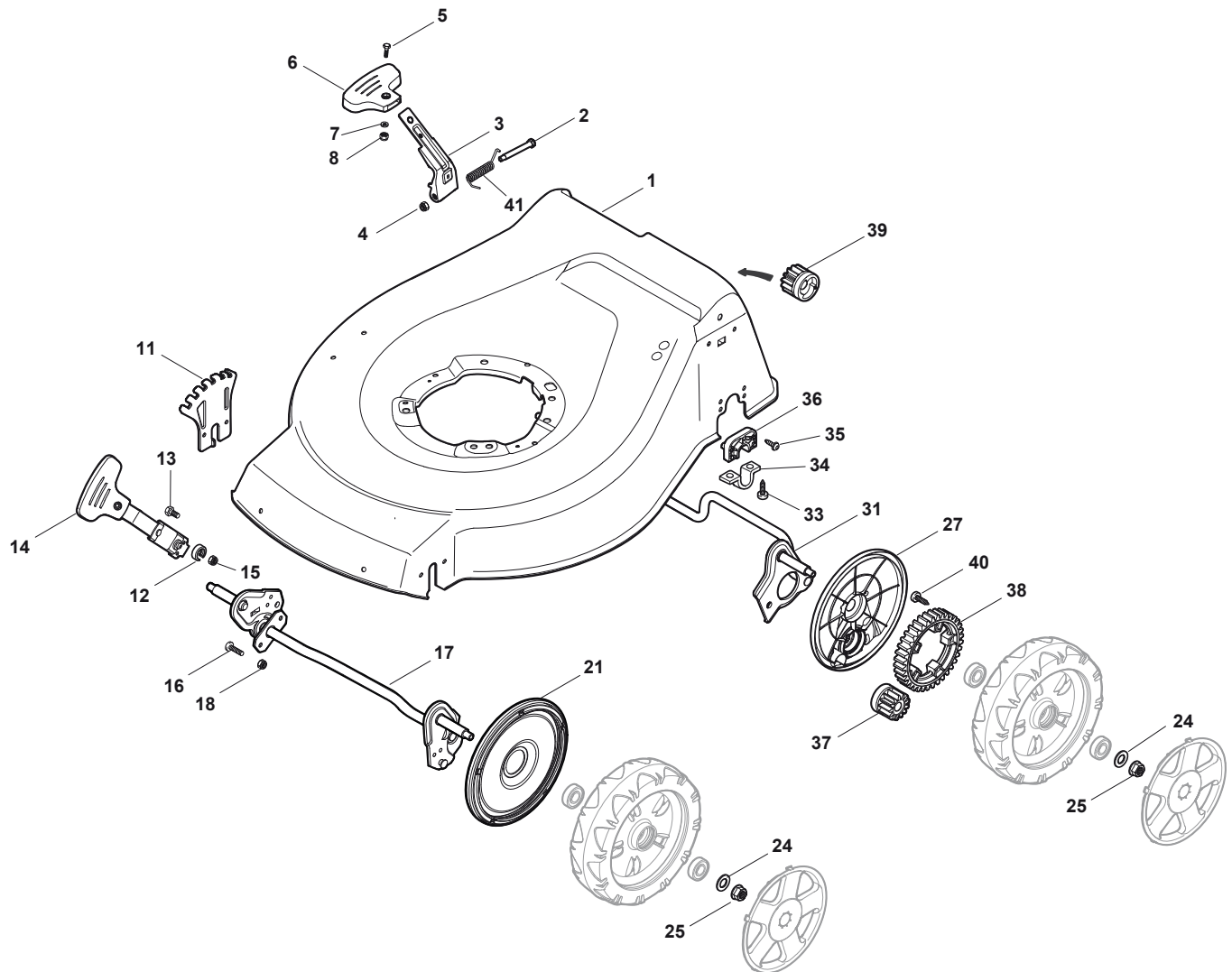


GLOBAL GARDEN PRODUCTS

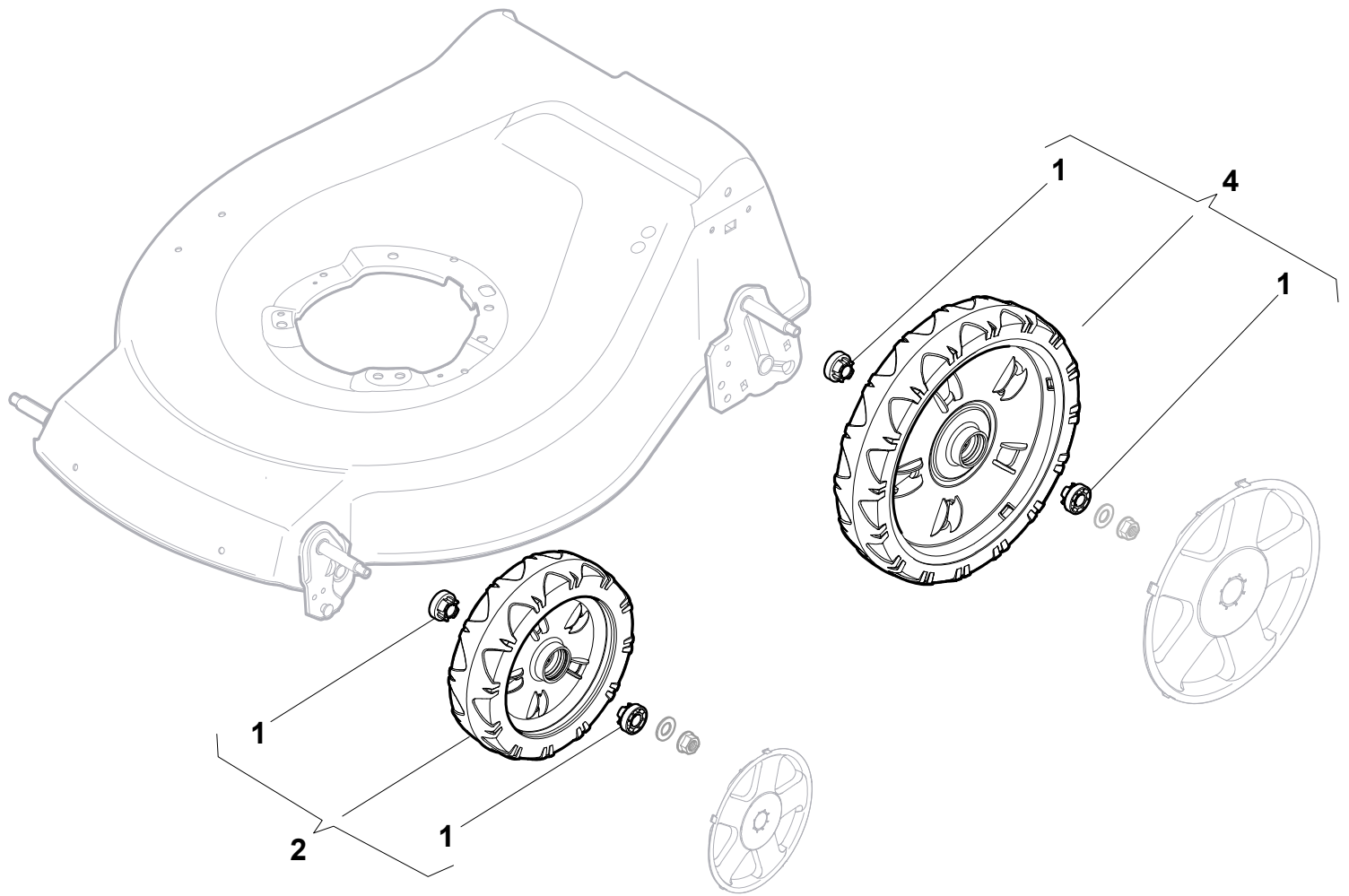
NT 484 TR 4S - NT 484 TR/E 4S


| N. | CODE | Q.TY | DESCRIZIONE | DESCRIPTION | DESCRIPTION | BESCHREIBUNG | REMARK |
|----|-------------|------|-----------------------------|---------------------------|-------------------------|--------------------------|--------|
| 1 | 381003908/0 | 1 | Chassis Rosso | Deck Red | Châssis Rouge | Gehäuse Rot | |
| 1 | 381003914/0 | 1 | Chassis Giallo | Deck Yellow | Châssis Jaune | Gehäuse Gelb | |
| 1 | 381003916/0 | 1 | Chassis Nero | Deck Black | Châssis Noir | Gehäuse Schwarz | |
| 1 | 381003977/0 | 1 | Chassis Grigio | Deck Grey | Châssis Gris | Gehäuse Grau | |
| 2 | 122534131/0 | 1 | Perno | Pin | Pivot | Bolzen | |
| 3 | 322322851/0 | 1 | Leva Regolazione Altezza | Lever, Height Adjustment | Levier, Reglage Hauteur | Hebel, Höhenverstellung | |
| 4 | 112154510/0 | 1 | Dado | Nut | Ecrou | Mutter | |
| 5 | 12788512/0 | 1 | Vite | Screw | Vis | Schraube | |
| 6 | 322394503/0 | 1 | Manopolina | Knob | Poignée | Griff | |
| 7 | 12521310/0 | 1 | Rondella | Washer | Rondelle | Scheibe | |
| 8 | 12150000/0 | 1 | Dado | Nut | Ecrou | Mutter | |
| 11 | 322735587/0 | 1 | Settore Regolazione Altezza | Sector, Height Adjustment | Secteur Reglage Hauteur | Sektor, Höhenverstellung | |
| 12 | 22171002/0 | 2 | Distanziale | Spacer | Entretoise | Distanzring | |
| 13 | 12789000/0 | 2 | Vite | Screw | Vis | Schraube | |
| 14 | 381003351/0 | 1 | Leva Regolazione Altezza | Lever, Height Adjustment | Levier Reglage Hauteur | Hebel, Höhenverstellung | |
| 15 | 12154330/0 | 2 | Dado | Nut | Ecrou | Mutter | |
| 16 | 112727803/0 | 4 | Vite | Screw | Vis | Schraube | |
| 17 | 381002881/0 | 1 | Asse Ruote Anteriori | Axle, Front Wheels | Axe Roues Avant | Achse, Vorderrad | |
| 18 | 12154510/0 | 4 | Dado | Nut | Ecrou | Mutter | |
| 21 | 322600145/0 | 2 | Prot. Ruote | Protection, Wheel | Protection Roue | Schütz, Räder | |
| 24 | 12521350/0 | 4 | Rosetta | Washer | Rondelle | Scheibe | |
| 25 | 12155000/0 | 4 | Dado | Nut | Ecrou | Mutter | |
| 27 | 322600193/0 | 2 | Prot. Ruote | Protection, Wheel | Protection Roue | Schütz, Räder | |
| 31 | 381302827/0 | 1 | Asse Ruote Posteriori | Axle, Rear Wheels | Axe Roues Arriere | Achse, Hinterrad | |
| 32 | 122450460/0 | 1 | Molla | Spring | Ressort | Feder | |
| 33 | 112728697/0 | 4 | Vite | Screw | Vis | Schraube | |
| 34 | 22545152/0 | 2 | Piastrina | Plate | Plaquette | Platte | |

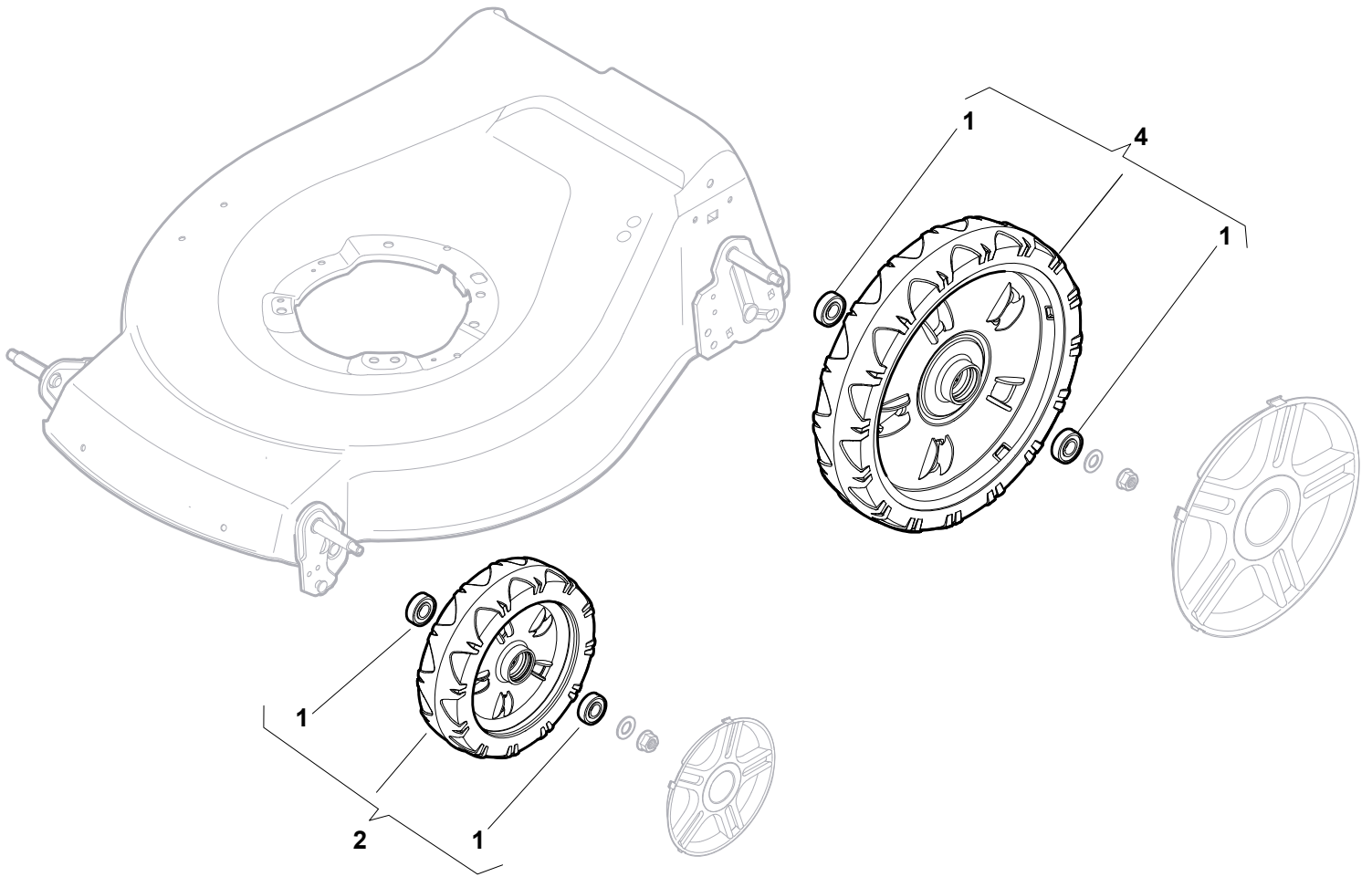
NT 484 TR 4S - NT 484 TR/E 4S



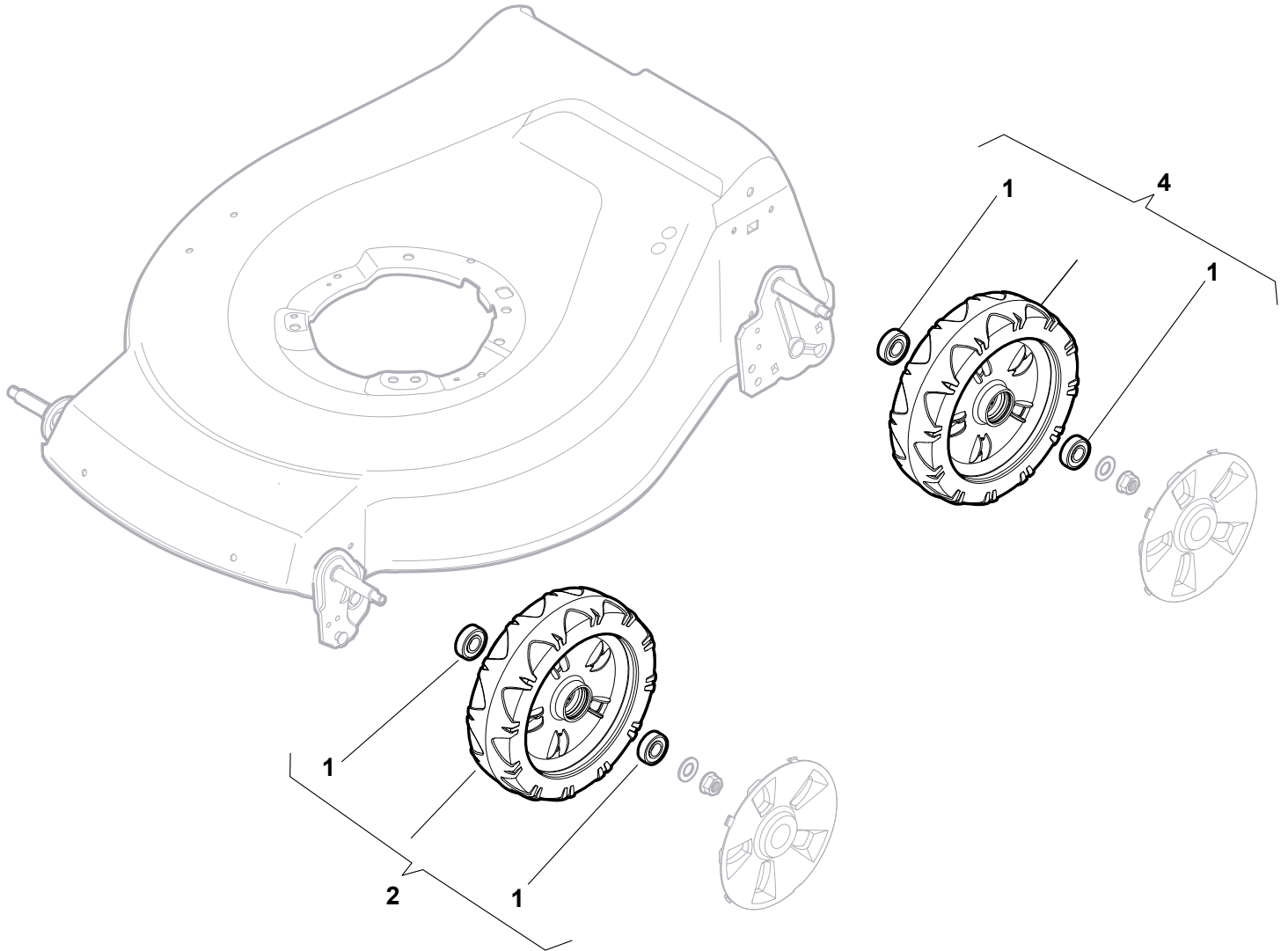
| N. CODE | Q.TY | DESCRIZIONE | DESCRIPTION | DESCRIPTION | BESCHREIBUNG | REMARK | |
|---------|-------------|-------------|----------------------|-------------|--------------|----------------|--|
| 35 | 112728697/0 | 4 | Vite | Screw | Vis | Schraube | |
| 36 | 322785304/0 | 2 | Supporto | Support | Support | Halter | |
| 37 | 22570120/1 | 1 | Pignone Sx | Pinion L | Pignon G | Ritzel Linkes | |
| 38 | 322120114/0 | 2 | Corona Trascinamento | Ring Gear | Couronne | Kranz | |
| 39 | 22570110/1 | 1 | Pignone Dx | Pinion R | Pignon D | Ritzel Rechtes | |
| 40 | 122446192/0 | 1 | Molla | Spring | Ressort | Feder | |



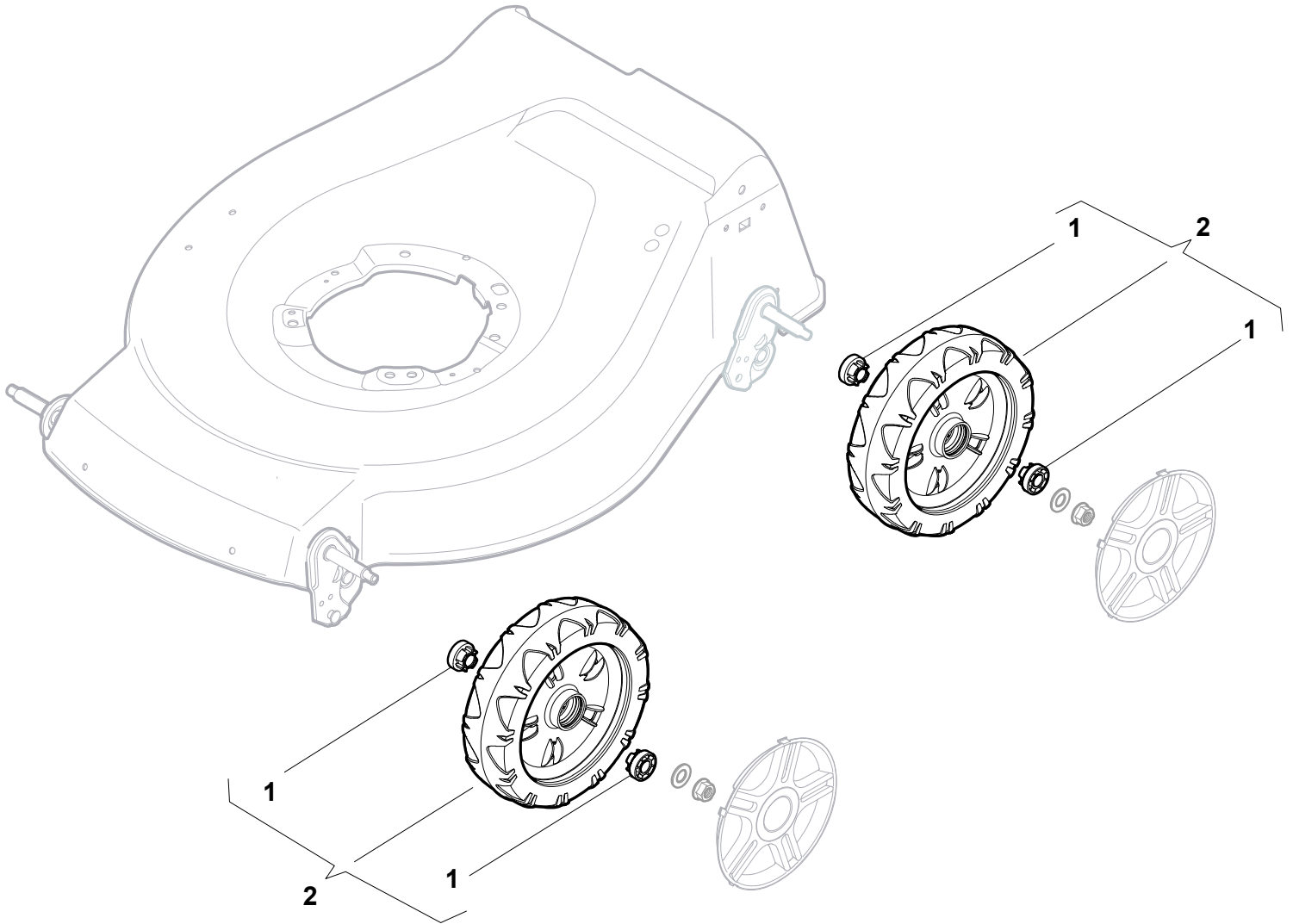
| N. | CODE | Q.TY | DESCRIZIONE | DESCRIPTION | DESCRIPTION | BESCHREIBUNG | REMARK |
|----|-------------|------|-------------|-------------|-------------|--------------|--------|
| 1 | 322042063/0 | 8 | Bussola | Bearing | Coussinet | Lager | |
| 2 | 381007435/0 | 2 | Ruota Ø 200 | Ruota Ø 200 | Roue Ø 200 | Rad Ø 200 | |
| 4 | 381007436/0 | 2 | Ruota Ø 280 | Ruota Ø 280 | Roue Ø 280 | Rad Ø 280 | |



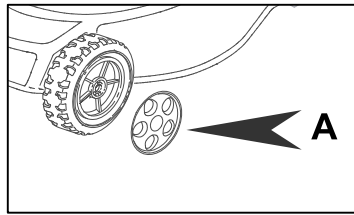
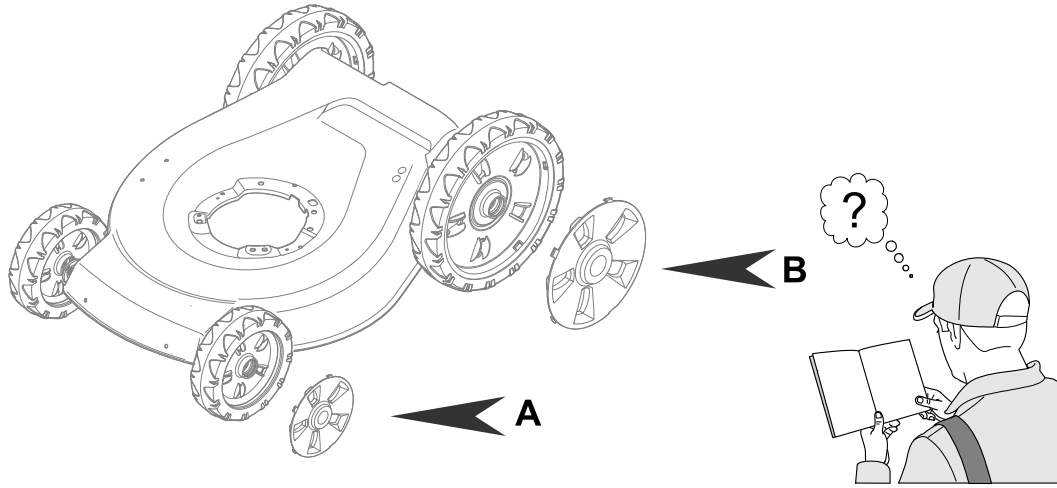
| N. | CODE | Q.TY | DESCRIZIONE | DESCRIPTION | DESCRIPTION | BESCHREIBUNG | REMARK |
|----|-------------|------|-------------|-------------|-------------|--------------|--------|
| 1 | 19216035/0 | 8 | Cuscinetto | Bearing | Coussinet | Lager | |
| 2 | 381007416/1 | 2 | Ruota Ø 200 | Ruota Ø 200 | Roue Ø 200 | Rad Ø 200 | |
| 4 | 381007417/1 | 2 | Ruota Ø 280 | Ruota Ø 280 | Roue Ø 280 | Rad Ø 280 | |



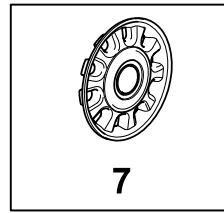
| N. | CODE | Q.TY | DESCRIZIONE | DESCRIPTION | DESCRIPTION | BESCHREIBUNG | REMARK |
|----|-------------|------|-------------|-------------|-------------|--------------|--------|
| 1 | 19216035/0 | 8 | Cuscinetto | Bearing | Coussinet | Lager | |
| 2 | 381007416/1 | 4 | Ruota Ø 200 | Ruota Ø 200 | Roue Ø 200 | Rad Ø 200 | |



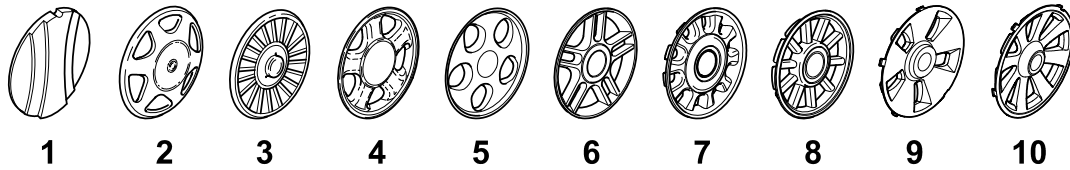
| N. CODE | Q.TY | DESCRIZIONE | DESCRIPTION | DESCRIPTION | BESCHREIBUNG | REMARK | |
|---------|-------------|-------------|-------------|-------------|--------------|-----------|--|
| 1 | 322042063/0 | 8 | Bussola | Bearing | Coussinet | Lager | |
| 2 | 381007435/0 | 4 | Ruota Ø 200 | Ruota Ø 200 | Roue Ø 200 | Rad Ø 200 | |



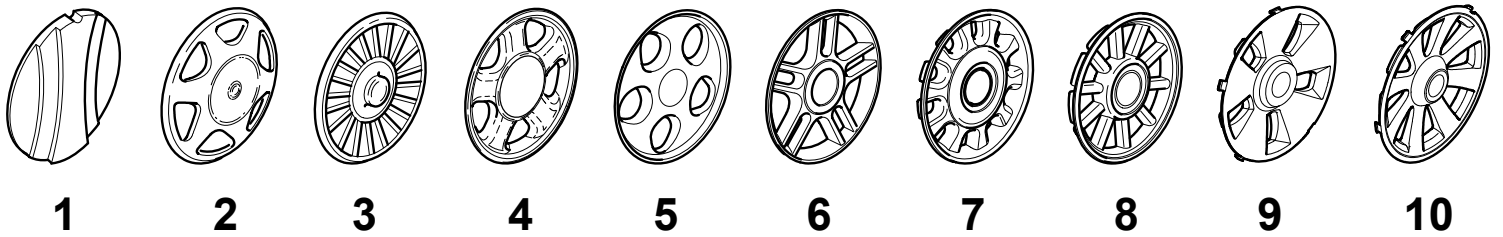
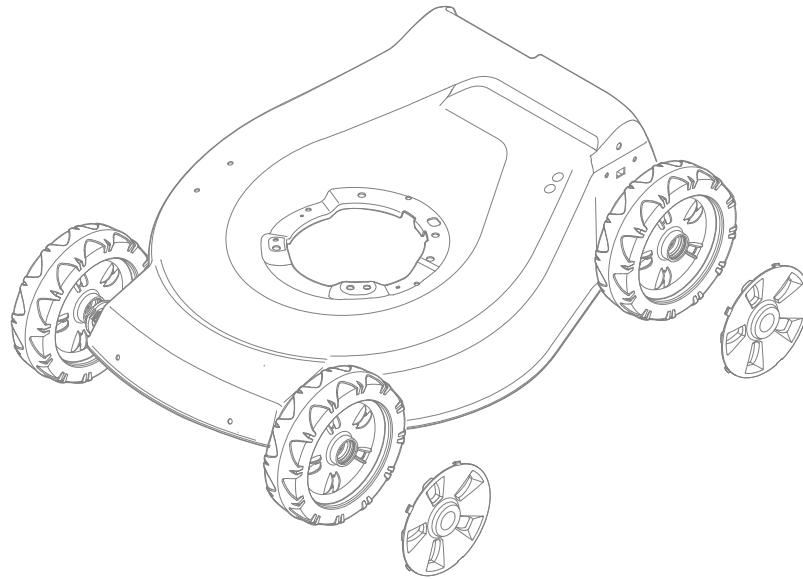
+



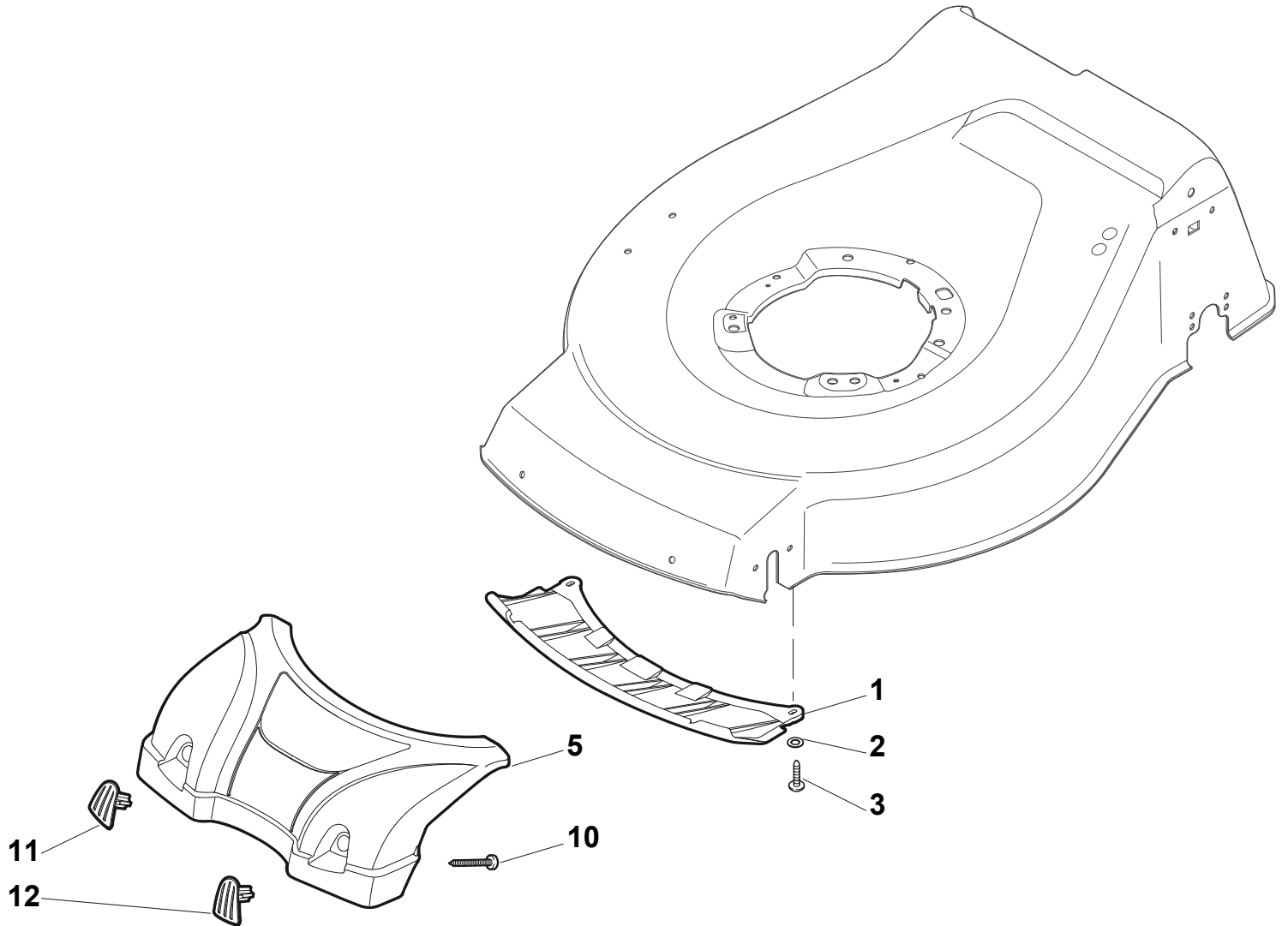
= A7



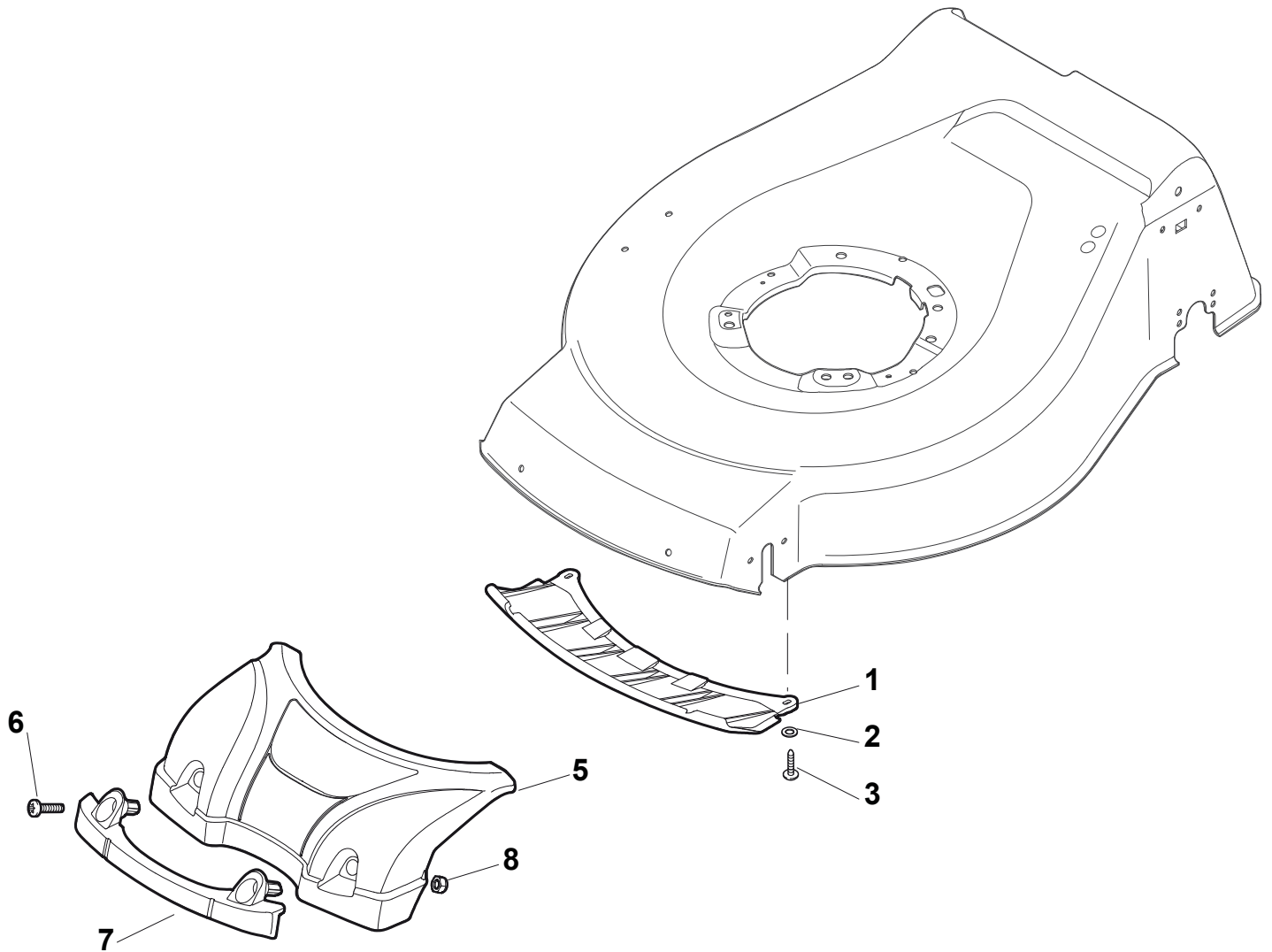
| N. | CODE | Q.TY | DESCRIZIONE | DESCRIPTION | DESCRIPTION | BESCHREIBUNG | REMARK |
|-----|-------------|------|--------------------|----------------|-------------------|----------------|--------|
| A1 | 22110251/0 | 2 | Coprismozzo Bianco | Hub Cap White | Couvre-Moyeu | Radkappe Weiße | |
| A1 | 22110253/0 | 2 | Coprismozzo Giallo | Hub Cap Yellow | Couvre-Moyeu | Radkappe Gelbe | |
| A1 | 22110256/0 | 2 | Coprismozzo Rosso | Hub Cap Red | Couvre-Moyeu | Radkappe Rote | |
| A1 | 22110382/0 | 2 | Coprismozzo Grigio | Hub Cap Grey | Couvre-Moyeu Gris | Radkappe Grau | |
| A2 | 22110313/0 | 2 | Coprismozzo Bianco | Hub Cap White | Couvre-Moyeu | Radkappe Weiße | |
| A2 | 22110314/0 | 2 | Coprismozzo Grigio | Hub Cap Grey | Couvre-Moyeu Gris | Radkappe Grau | |
| A3 | 22110348/0 | 2 | Coprismozzo Grigio | Hub Cap Grey | Couvre-Moyeu Gris | Radkappe Grau | |
| A4 | 22110382/0 | 2 | Coprismozzo Grigio | Hub Cap Grey | Couvre-Moyeu Gris | Radkappe Grau | |
| B4 | 22110511/0 | 2 | Coprismozzo Grigio | Hub Cap Grey | Couvre-Moyeu Gris | Radkappe Grau | |
| A5 | 22110417/0 | 2 | Coprismozzo Grigio | Hub Cap Grey | Couvre-Moyeu Gris | Radkappe Grau | |
| B5 | 322110590/0 | 2 | Coprismozzo Grigio | Hub Cap Grey | Couvre-Moyeu Gris | Radkappe Grau | |
| A6 | 22110492/0 | 2 | Coprismozzo Grigio | Hub Cap Grey | Couvre-Moyeu Gris | Radkappe Grau | |
| B6 | 322110560/0 | 2 | Coprismozzo Grigio | Hub Cap Grey | Couvre-Moyeu Gris | Radkappe Grau | |
| A7 | 22110494/0 | 2 | Coprismozzo Grigio | Hub Cap Grey | Couvre-Moyeu Gris | Radkappe Grau | |
| A8 | 22110496/0 | 2 | Coprismozzo Grigio | Hub Cap Grey | Couvre-Moyeu Gris | Radkappe Grau | |
| A9 | 322110643/0 | 2 | Coprismozzo Grigio | Hub Cap Grey | Couvre-Moyeu | Radkappe | |
| B9 | 322110644/0 | 2 | Coprismozzo | Hub Cap | Couvre-Moyeu | Radkappe | |
| A10 | 322110645/0 | 2 | Coprismozzo Grigio | Hub Cap Grey | Couvre-Moyeu | Radkappe | |
| B10 | 322110646/0 | 2 | Coprismozzo | Hub Cap | Couvre-Moyeu | Radkappe | |



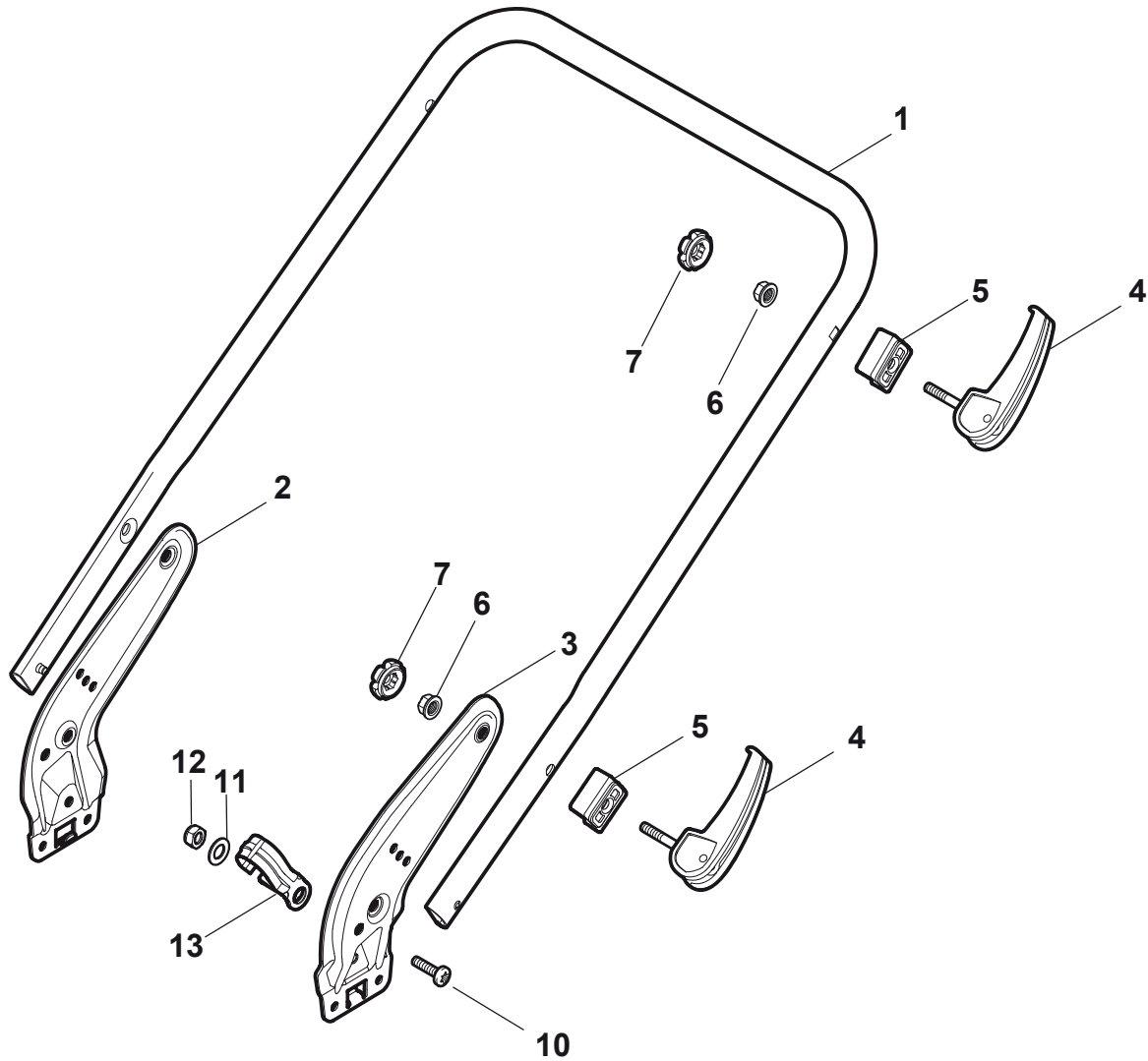
| N. | CODE | Q.TY | DESCRIZIONE | DESCRIPTION | DESCRIPTION | BESCHREIBUNG | REMARK |
|----|-------------|------|--------------------|----------------|-------------------|----------------|--------|
| 1 | 22110251/0 | 2 | Coprismozzo Bianco | Hub Cap White | Couvre-Moyeu | Radkappe Weiße | |
| 1 | 22110253/0 | 2 | Coprismozzo Giallo | Hub Cap Yellow | Couvre-Moyeu | Radkappe Gelbe | |
| 1 | 22110256/0 | 2 | Coprismozzo Rosso | Hub Cap Red | Couvre-Moyeu | Radkappe Rote | |
| 1 | 22110382/0 | 2 | Coprismozzo Grigio | Hub Cap Grey | Couvre-Moyeu Gris | Radkappe Grau | |
| 2 | 22110313/0 | 2 | Coprismozzo Bianco | Hub Cap White | Couvre-Moyeu | Radkappe Weiße | |
| 2 | 22110314/0 | 2 | Coprismozzo Grigio | Hub Cap Grey | Couvre-Moyeu Gris | Radkappe Grau | |
| 3 | 22110348/0 | 2 | Coprismozzo Grigio | Hub Cap Grey | Couvre-Moyeu Gris | Radkappe Grau | |
| 4 | 22110382/0 | 2 | Coprismozzo Grigio | Hub Cap Grey | Couvre-Moyeu Gris | Radkappe Grau | |
| 5 | 22110417/0 | 2 | Coprismozzo Grigio | Hub Cap Grey | Couvre-Moyeu Gris | Radkappe Grau | |
| 6 | 22110492/0 | 2 | Coprismozzo Grigio | Hub Cap Grey | Couvre-Moyeu Gris | Radkappe Grau | |
| 7 | 22110494/0 | 2 | Coprismozzo Grigio | Hub Cap Grey | Couvre-Moyeu Gris | Radkappe Grau | |
| 8 | 22110496/0 | 2 | Coprismozzo Grigio | Hub Cap Grey | Couvre-Moyeu Gris | Radkappe Grau | |
| 9 | 322110643/0 | 2 | Coprismozzo Grigio | Hub Cap Grey | Couvre-Moyeu | Radkappe | |
| 10 | 322110645/0 | 2 | Coprismozzo Grigio | Hub Cap Grey | Couvre-Moyeu | Radkappe | |



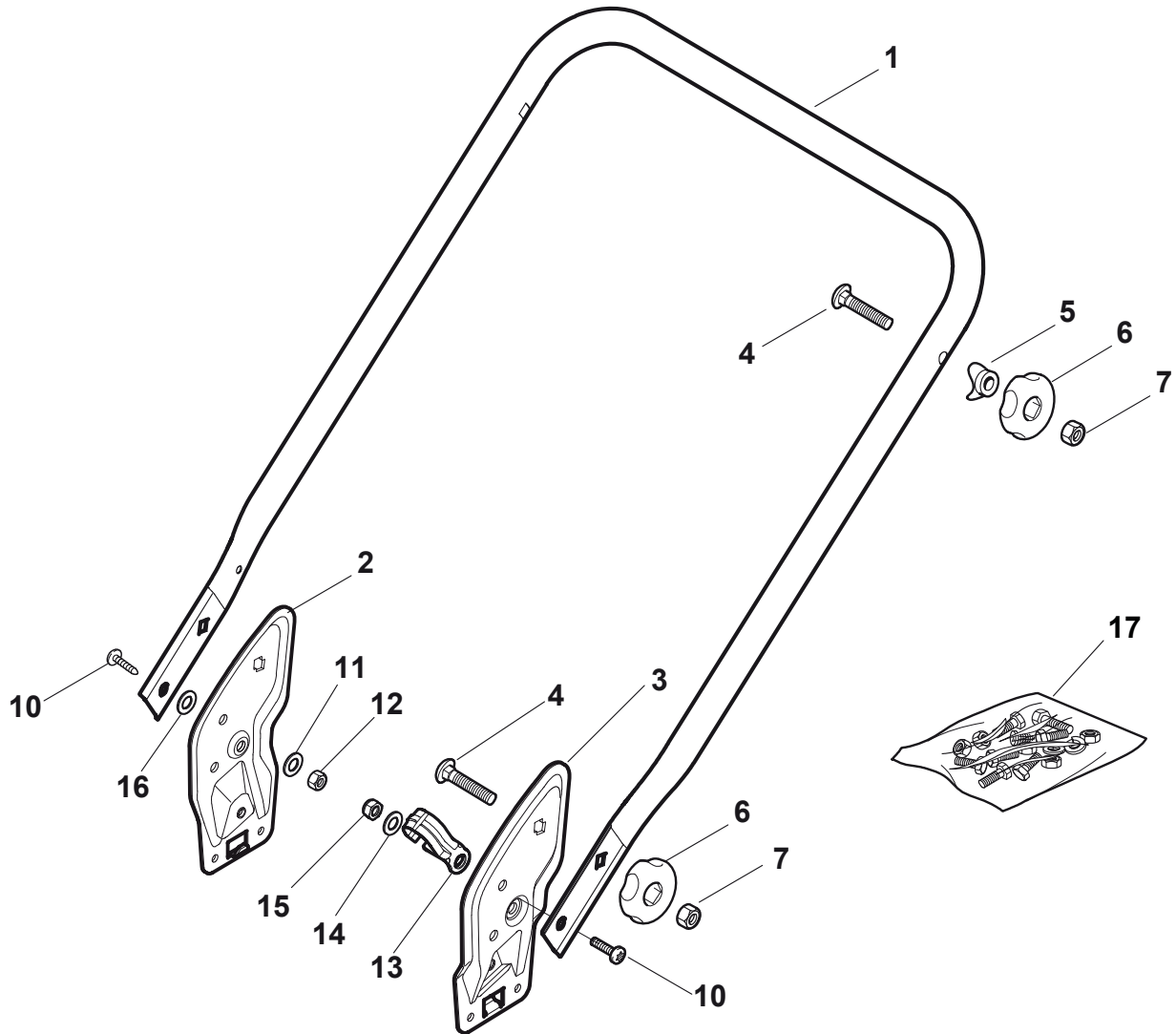
| N. | CODE | Q.TY | DESCRIZIONE | DESCRIPTION | DESCRIPTION | BESCHREIBUNG | REMARK |
|----|-------------|------|---------------------|------------------|---------------------|----------------|--------|
| 1 | 322500102/0 | 1 | Griglia Aspirazione | Air Intake Grill | Grille D'Aspiration | Ansauggitter | |
| 2 | 112523000/1 | 2 | Rosetta | Washer | Rondelle | Scheibe | |
| 3 | 12728124/0 | 2 | Vite | Screw | Vis | Schraube | |
| 5 | 322226143/0 | 1 | Mascherina, Rosso | Mask, Red | Mesque, Rouge | Maske, Rot | |
| 5 | 322226153/0 | 1 | Mascherina, Nero | Mask, Black | Mesque, Noire | Maske, Schwarz | |
| 5 | 322226155/0 | 1 | Mascherina, Giallo | Mask, Yellow | Mesque, Jaune | Maske, Gelb | |
| 10 | 112728697/0 | 2 | Vite | Screw | Vis | Schraube | |
| 11 | 322820082/0 | 1 | Tappo | Cap | Bouchon | Gummistopfen | |
| 12 | 322820083/0 | 1 | Tappo | Cap | Bouchon | Gummistopfen | |



| N. | CODE | Q.TY | DESCRIZIONE | DESCRIPTION | DESCRIPTION | BESCHREIBUNG | REMARK |
|----|-------------|------|---------------------|------------------|---------------------|----------------|--------|
| 1 | 322500102/0 | 1 | Griglia Aspirazione | Air Intake Grill | Grille D'Aspiration | Ansauggitter | |
| 2 | 112523000/1 | 2 | Rosetta | Washer | Rondelle | Scheibe | |
| 3 | 12728124/0 | 2 | Vite | Screw | Vis | Schraube | |
| 5 | 322226143/0 | 1 | Mascherina, Rosso | Mask, Red | Mesque, Rouge | Maske, Rot | |
| 5 | 322226153/0 | 1 | Mascherina, Nero | Mask, Black | Mesque, Noire | Maske, Schwarz | |
| 5 | 322226155/0 | 1 | Mascherina, Giallo | Mask, Yellow | Mesque, Jaune | Maske, Gelb | |
| 6 | 112727799/0 | 2 | Vite | Screw | Vis | Schraube | |
| 7 | 322393638/0 | 1 | Maniglia, Nero | Handle, Black | Poignee, Noire | Griff, Schwarz | |
| 7 | 322393639/0 | 1 | Maniglia, Grigio | Handle, Grey | Poignee, Gris | Griff, Grau | |
| 7 | 322393640/0 | 1 | Maniglia, Gialla | Handle, Yellow | Poignee, Jaune | Griff, Gelb | |
| 8 | 12154510/0 | 2 | Dado | Nut | Ecrou | Mutter | |



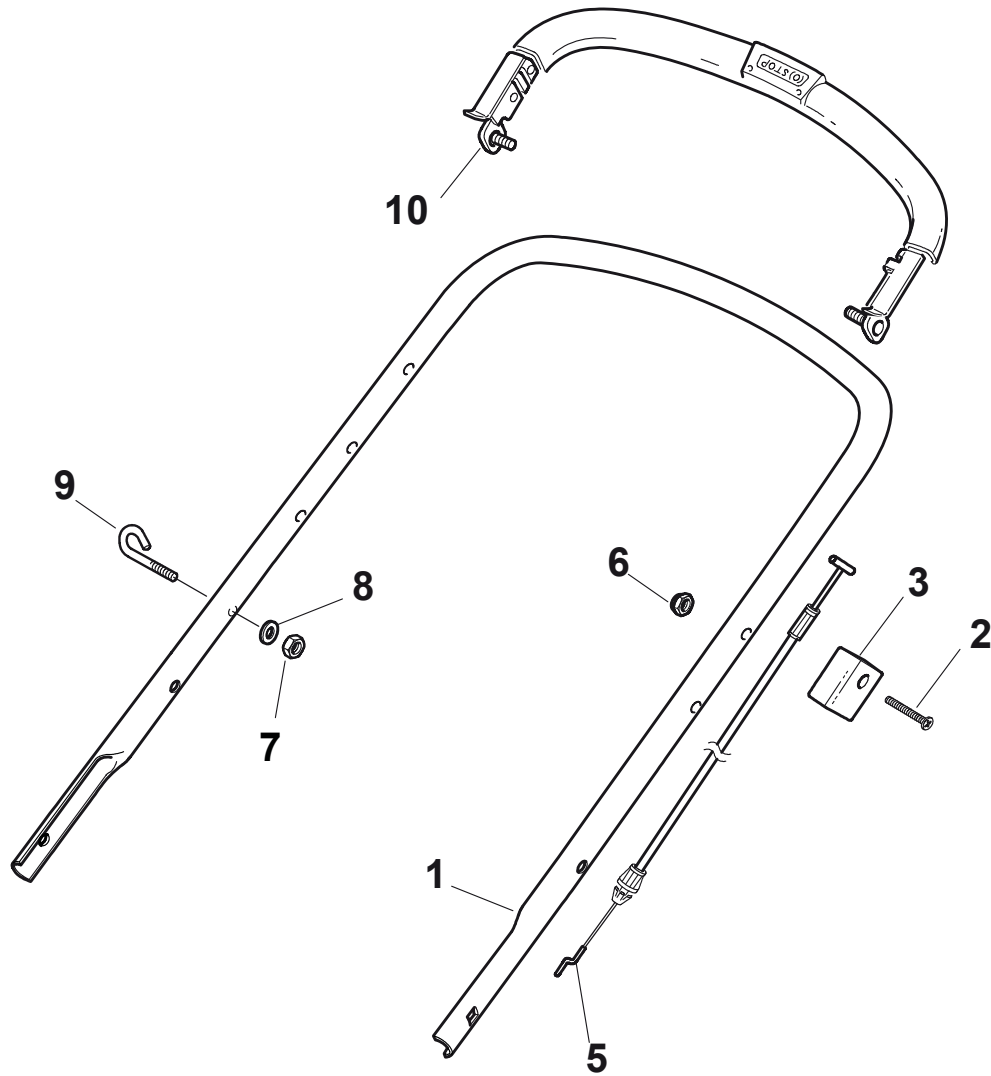
| N. | CODE | Q.TY | DESCRIZIONE | DESCRIPTION | DESCRIPTION | BESCHREIBUNG | REMARK |
|----|-------------|------|-------------------|--------------------|------------------------------|------------------|--------|
| 1 | 381006719/0 | 1 | Manico, Parte Inf | Handle, Lower Part | Mancheron, Partie Inferieure | Holm, Unterteil | |
| 1 | 381006720/0 | 1 | | | | | |
| 2 | 381005149/0 | 1 | Staffa Dx | Bracket, R | Bride D | Pratze, Rechte | |
| 3 | 381005151/0 | 1 | Staffa Sx | Bracket, L | Bride G | Pratze, Linke | |
| 4 | 381003253/0 | 4 | Maniglia | Handle | Poignee | Griff | |
| 5 | 322680016/0 | 4 | Supporto | Support | Support | Halter | |
| 6 | 22131750/0 | 4 | Dado | Nut | Ecrou | Mutter | |
| 7 | 322399835/0 | 4 | Manopolina | Knob | Poignée | Griff | |
| 10 | 12760605/0 | 2 | Vite | Screw | Vis | Schraube | |
| 11 | 25038002/1 | 2 | Bussola | Bush | Douille | Buchse | |
| 12 | 12155000/0 | 2 | Dado | Nut | Ecrou | Mutter | |
| 13 | 322192156/0 | 1 | Fascetta | Fair Led | Fixation De Cable | Kabelbefestigung | |



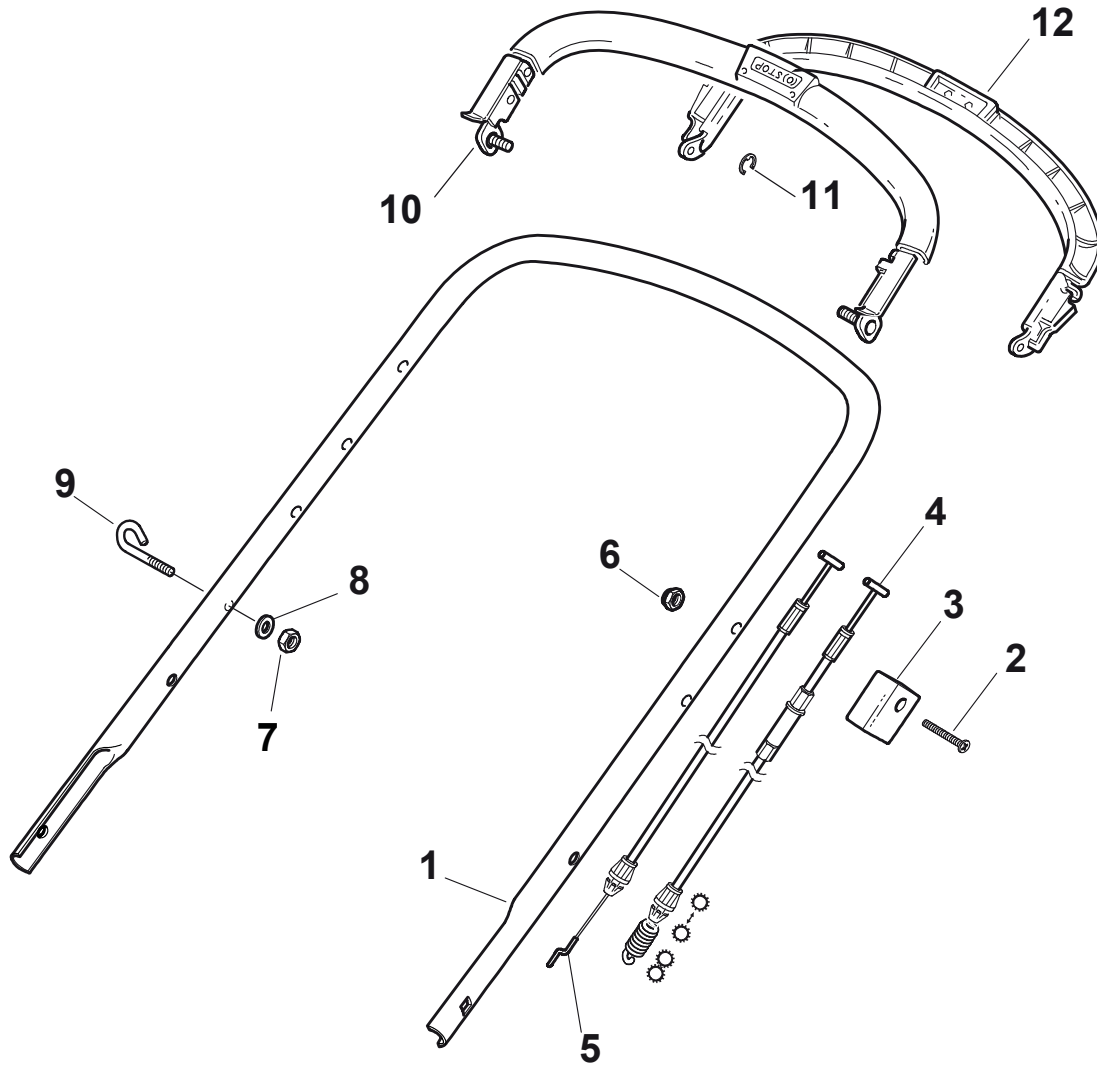
| N. | CODE | Q.TY | DESCRIZIONE | DESCRIPTION | DESCRIPTION | BESCHREIBUNG | REMARK |
|----|-------------|------|-------------------|--------------------|------------------------------|--------------------|--------|
| 1 | 381007041/0 | 1 | Manico, Parte Inf | Handle, Lower Part | Mancheron, Partie Inferieure | Holm, Unterteil | |
| 2 | 381005149/0 | 1 | Staffa Dx | Bracket, R | Bride D | Pratze, Rechte | |
| 3 | 381005151/0 | 1 | Staffa Sx | Bracket, L | Bride G | Pratze, Linke | |
| 4 | 12819120/0 | 4 | Vite | Screw | Vis | Schraube | |
| 5 | 22680006/1 | 4 | Rosetta | Washer | Rondelle | Scheibe | |
| 6 | 322399804/1 | 4 | Manopolina | Knob | Poignée | Griff | |
| 7 | 12293200/0 | 4 | Dado | Nut | Ecrou | Mutter | |
| 10 | 12760605/0 | 3 | Vite | Screw | Vis | Schraube | |
| 11 | 12521350/0 | 2 | Rosetta | Washer | Rondelle | Scheibe | |
| 12 | 12155000/0 | 2 | Dado | Nut | Ecrou | Mutter | |
| 13 | 322192156/0 | 1 | Fascetta | Fair Led | Fixation De Cable | Kabelbefestigung | |
| 14 | 12523040/0 | 1 | Rosetta | Washer | Rondelle | Scheibe | |
| 15 | 12154510/0 | 1 | Dado | Nut | Ecrou | Mutter | |
| 16 | 12369500/0 | 2 | Rosetta Elastica | Elastic Washer | Rondelle Elastique | Elastische Scheibe | |

| N. | CODE | Q.TY | DESCRIZIONE | DESCRIPTION | DESCRIPTION | BESCHREIBUNG | REMARK |
|----|-------------|------|-----------------------|--------------------------|--------------------------|--------------------|-------------------------------|
| 1 | 381006670/2 | 1 | Impugnatura Manico | Handgrip | Poignée | Handgriff | |
| 2 | 381003349/0 | 1 | Leva Trazione | Lever, Driving | Levier Traction | Hebel, Antrieb | |
| 3 | 381003344/0 | 1 | Leva Freno Motore | Lever, Engine Brake | Levier Frein Moteur | Hebel, Motorbremse | |
| 4 | 381005149/0 | 1 | Staffa Dx | Bracket, R | Bride D | Pratze, Rechte | |
| 5 | 381005151/0 | 1 | Staffa Sx | Bracket, L | Bride G | Pratze, Linke | |
| 7 | 381006773/0 | 1 | Manico Nero | Handle Black | Mancheron Noire | Holm Schwarz | |
| 7 | 381006774/0 | 1 | Manico Grigio | Handle Grey | Mancheron Gris | Holm Grau | |
| 8 | 22430309/0 | 1 | Molla Guida | Guide Spring | Ressort De Guide | Feder Führer | |
| 9 | 12154330/0 | 2 | Dado | Nut | Ecrou | Mutter | |
| 10 | 112735662/1 | 4 | Vite | Screw | Vis | Schraube | |
| 11 | 322041967/0 | 4 | Bussola | Bush | Douille | Buchse | |
| 12 | 12154510/0 | 3 | Dado | Nut | Ecrou | Mutter | |
| 13 | 112728721/0 | 2 | Vite | Screw | Vis | Schraube | |
| 14 | 12727786/0 | 1 | Vite | Screw | Vis | Schraube | |
| 15 | 181030065/0 | 1 | Cavo Freno Motore | Cable, Thread Eng. Brake | Cable Frein Moteur | Kabel, Motorbremse | |
| 16 | 381030067/0 | 1 | Cavo Comando Trazione | Cable, Rear Drive | Câble, Commande Traction | Kabel, Antrieb | |
| 17 | 181005501/1 | 1 | Cavo Acceleratore | Throttle Cable | Cable, Accelérateur | Gashebel Kabel | (GGP 140-160-190 cc) |
| 17 | 181005502/1 | 1 | Cavo Acceleratore | Throttle Cable | Cable, Accelérateur | Gashebel Kabel | (B&S 450-500-550-625-675-700) |
| 17 | 181005503/1 | 1 | Cavo Acceleratore | Throttle Cable | Cable, Accelérateur | Gashebel Kabel | (Honda GCV 135-160-190) |
| 18 | 322806644/0 | 1 | Protezione | Protection | Protection | Schutz | |
| 19 | 12727812/0 | 2 | Vite | Screw | Vis | Schraube | |
| 20 | 112523000/1 | 2 | Rosetta | Washer | Rondelle | Scheibe | |
| 21 | 322488301/0 | 1 | Supporto | Support | Support | Halter | |
| 22 | 322488303/0 | 1 | Supporto | Support | Support | Halter | |
| 23 | 112154220/0 | 2 | Dado | Nut | Ecrou | Mutter | |
| 24 | 322399835/0 | 2 | Manopoliina | Knob | Poignée | Griff | |
| 25 | 381003253/0 | 2 | Maniglia | Handle | Poignée | Griff | |

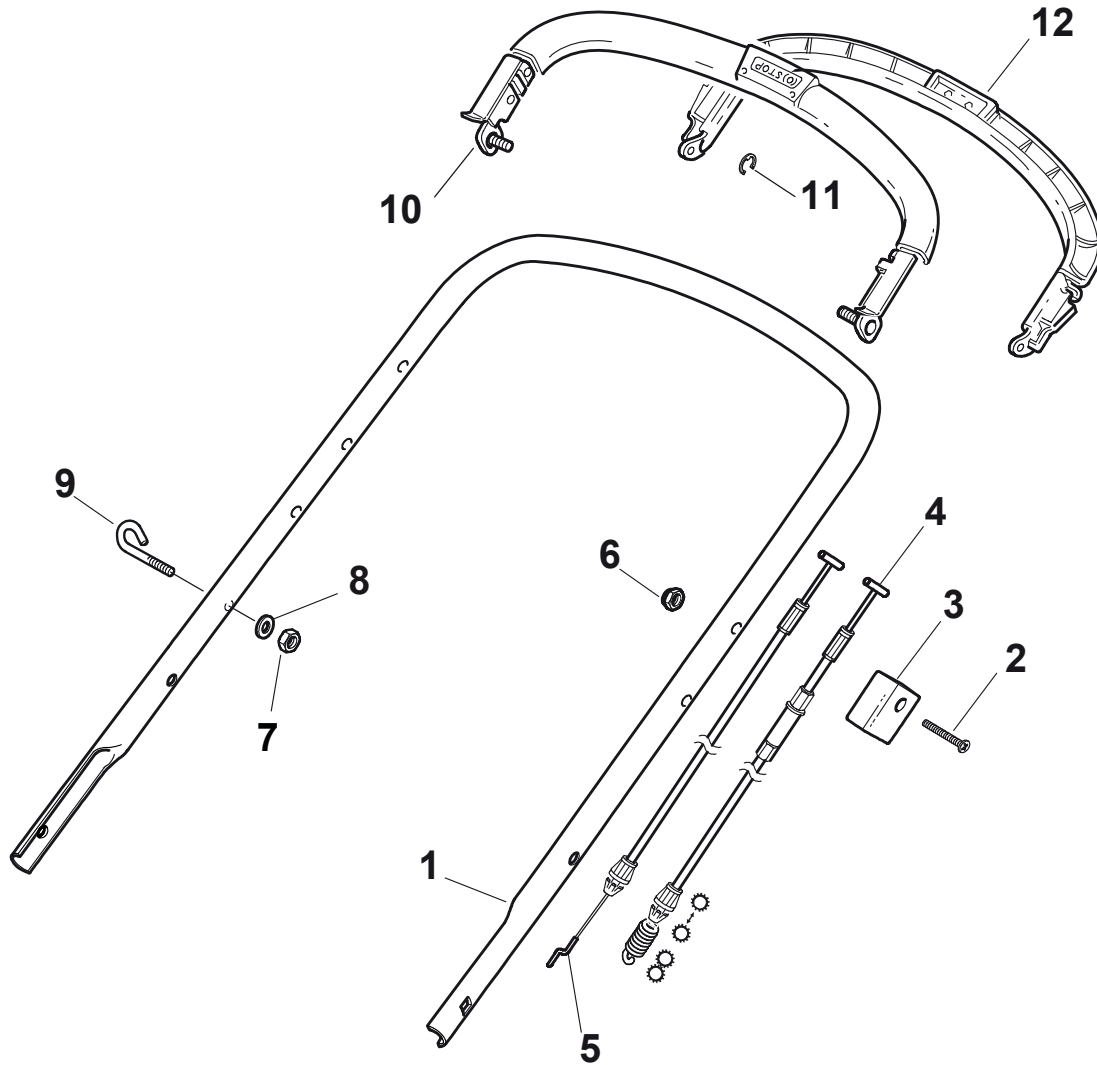
| N. | CODE | Q.TY | DESCRIZIONE | DESCRIPTION | DESCRIPTION | BESCHREIBUNG | REMARK |
|----|-------------|------|-------------|-------------|-------------------|------------------|--------|
| 26 | 322680017/0 | 2 | Supporto | Support | Support | Halter | |
| 27 | 12155000/0 | 1 | Dado | Nut | Ecrou | Mutter | |
| 28 | 25038002/1 | 1 | Bussola | Bush | Douille | Buchse | |
| 29 | 322192156/0 | 1 | Fascetta | Fair Led | Fixation De Cable | Kabelbefestigung | |
| 30 | 12760605/0 | 1 | Vite | Screw | Vis | Schraube | |



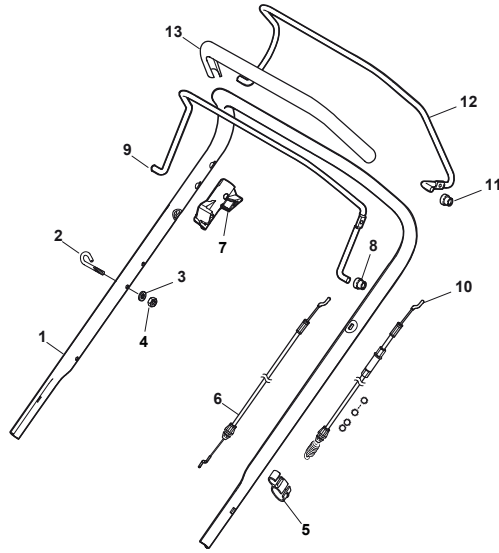
| N. | CODE | Q.TY | DESCRIZIONE | DESCRIPTION | DESCRIPTION | BESCHREIBUNG | REMARK |
|----|-------------|------|-------------------|----------------------------|------------------------------|--------------------|-------------|
| 1 | 81006979/2 | 1 | Manico, Parte Sup | Handle, Upper Part | Mancheron, Partie Superieure | Holm, Oberteil | |
| 2 | 12727787/0 | 1 | Vite | Screw | Vis | Schraube | |
| 3 | 22551640/0 | 1 | Piastrina | Plate | Plaquette | Plättchen | |
| 5 | 181030056/0 | 1 | Cavo Freno Motore | Cable, Thread Engine Brake | Cable Frein Moteur | Kabel, Motorbremse | (GGP 150cc) |
| 5 | 181030057/0 | 1 | Cavo Freno Motore | Cable, Thread Engine Brake | Cable Frein Moteur | Kabel, Motorbremse | |
| 6 | 12154510/0 | 1 | Dado | Nut | Ecrou | Mutter | |
| 7 | 12154510/0 | 1 | Dado | Nut | Ecrou | Mutter | |
| 8 | 12521330/0 | 1 | Rosetta | Washer | Rondelle | Scheibe | |
| 9 | 22430313/0 | 1 | Molla Guida | Guide Spring | Ressort De Guide | Feder Führer | |
| 10 | 381003330/0 | 1 | Leva Freno Motore | Lever, Engine Brake | Levier Frein Moteur | Hebel, Motorbremse | |



| N. | CODE | Q.TY | DESCRIZIONE | DESCRIPTION | DESCRIPTION | BESCHREIBUNG | REMARK |
|----|-------------|------|-----------------------|----------------------------|------------------------------|--------------------|-------------|
| 1 | 81006979/2 | 1 | Manico, Parte Sup | Handle, Upper Part | Mancheron, Partie Superieure | Holm, Oberteil | |
| 2 | 12727787/0 | 1 | Vite | Screw | Vis | Schraube | |
| 3 | 22551640/0 | 1 | Piastrina | Plate | Plaquette | Plättchen | |
| 4 | 381030055/0 | 1 | Cavo Comando Trazione | Cable, Rear Drive | Câble, Comm. Traction | Kabel, Antrieb | |
| 5 | 181030056/0 | 1 | Cavo Freno Motore | Cable, Thread Engine Brake | Cable Frein Moteur | Kabel, Motorbremse | (GGP 150cc) |
| 5 | 181030057/0 | 1 | Cavo Freno Motore | Cable, Thread Engine Brake | Cable Frein Moteur | Kabel, Motorbremse | |
| 6 | 12154510/0 | 1 | Dado | Nut | Ecrou | Mutter | |
| 7 | 12154510/0 | 1 | Dado | Nut | Ecrou | Mutter | |
| 8 | 12521330/0 | 1 | Rosetta | Washer | Rondelle | Scheibe | |
| 9 | 22430313/0 | 1 | Molla Guida | Guide Spring | Ressort De Guide | Feder Führer | |
| 10 | 381003330/0 | 1 | Leva Freno Motore | Lever, Engine Brake | Levier Frein Moteur | Hebel, Motorbremse | |
| 11 | 81003297/1 | 1 | Leva Trazione | Driving Lever | Levier Traction | Antriebhebel | |
| 12 | 12000930/0 | 1 | Anello Elastico | Snap Ring | Anneau Ressort | Sprenging | |

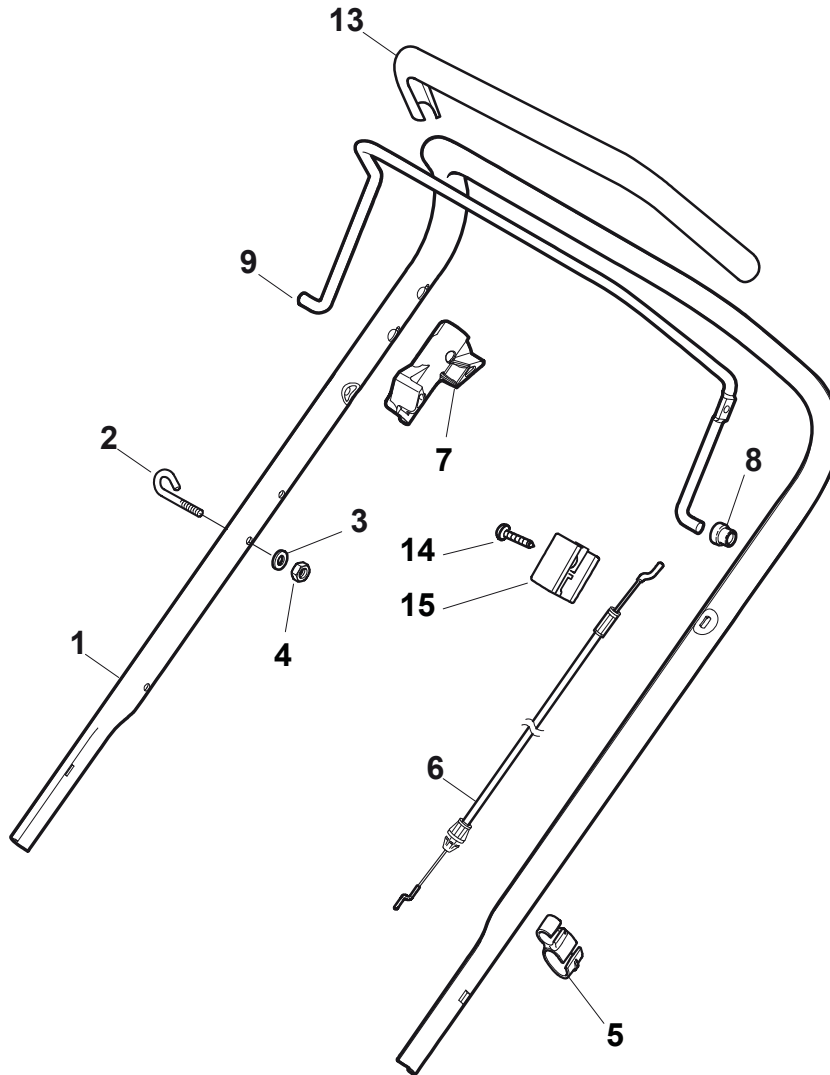


| N. | CODE | Q.TY | DESCRIZIONE | DESCRIPTION | DESCRIPTION | BESCHREIBUNG | REMARK |
|----|-------------|------|-----------------------|----------------------------|------------------------------|--------------------|-------------|
| 1 | 381006803/0 | 1 | Manico, Parte Sup | Handle, Upper Part | Mancheron, Partie Superieure | Holm, Oberteil | |
| 2 | 12727787/0 | 1 | Vite | Screw | Vis | Schraube | |
| 3 | 22551640/0 | 1 | Piastrina | Plate | Plaquette | Plättchen | |
| 4 | 381030055/0 | 1 | Cavo Comando Trazione | Cable, Rear Drive | Câble, Comm. Traction | Kabel, Antrieb | |
| 5 | 181030056/0 | 1 | Cavo Freno Motore | Cable, Thread Engine Brake | Cable Frein Moteur | Kabel, Motorbremse | (GGP 150cc) |
| 5 | 181030057/0 | 1 | Cavo Freno Motore | Cable, Thread Engine Brake | Cable Frein Moteur | Kabel, Motorbremse | |
| 6 | 12154510/0 | 1 | Dado | Nut | Ecrou | Mutter | |
| 7 | 12154510/0 | 1 | Dado | Nut | Ecrou | Mutter | |
| 8 | 12521330/0 | 1 | Rosetta | Washer | Rondelle | Scheibe | |
| 9 | 22430313/0 | 1 | Molla Guida | Guide Spring | Ressort De Guide | Feder Führer | |
| 10 | 381003330/0 | 1 | Leva Freno Motore | Lever, Engine Brake | Levier Frein Moteur | Hebel, Motorbremse | |
| 11 | 81003297/1 | 1 | Leva Trazione | Driving Lever | Levier Traction | Antriebhebel | |
| 12 | 12000930/0 | 1 | Anello Elastico | Snap Ring | Anneau Ressort | Sprenging | |

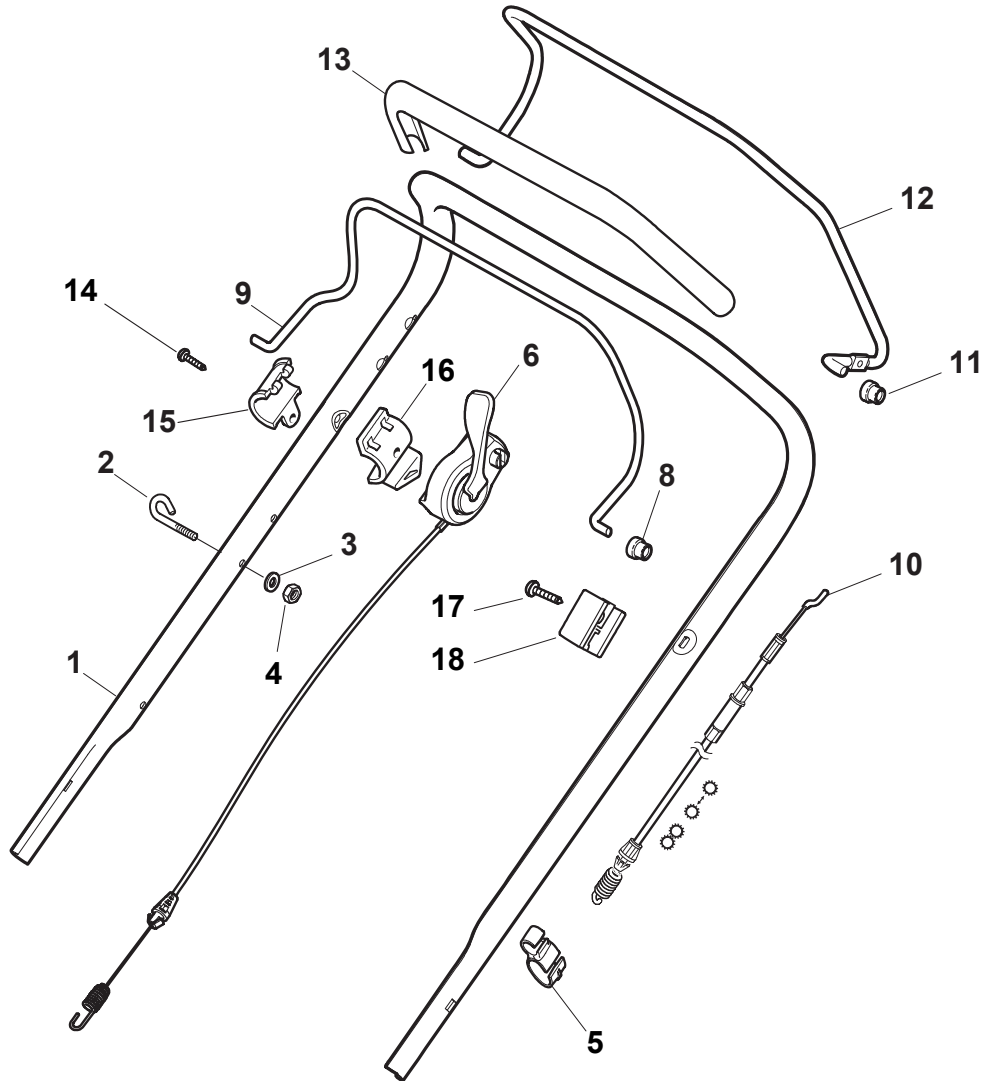


NTD_13

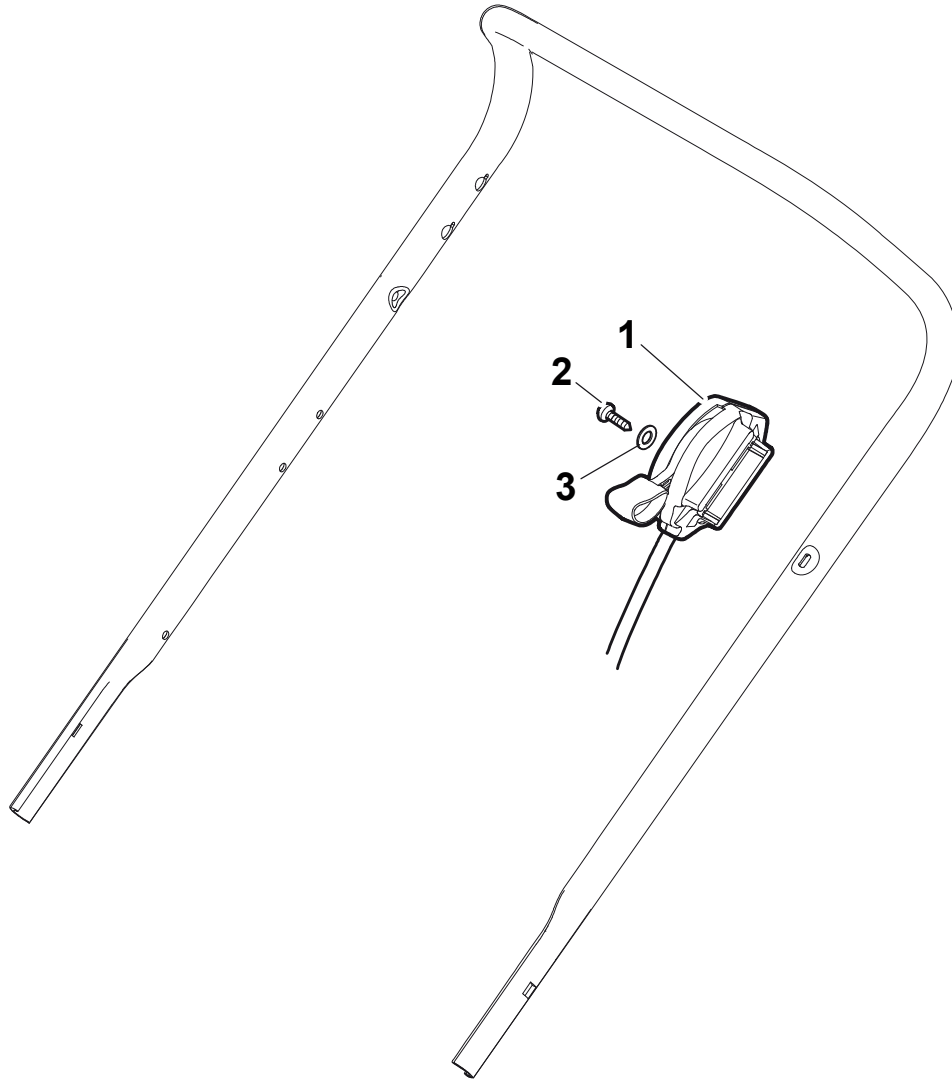
| N. | CODE | Q.TY | DESCRIZIONE | DESCRIPTION | DESCRIPTION | BESCHREIBUNG | REMARK |
|----|-------------|------|--|---|---|----------------------------|---|
| 1 | 381006807/0 | 1 | Manico, Parte Sup. con impugnatura in spugna | Handle, Upper Part with sponge handgrip | Mancheron, Partie Superieure avec épave de mousse | Oberteil Handgriff Schwamm | |
| 1 | 381006887/0 | 1 | Manico, Parte Sup | Handle, Upper Part | Mancheron, Partie Superieure | Holm, Oberteil | |
| 2 | 22430313/0 | 1 | Molla Guida | Guide Spring | Ressort De Guide | Feder Führer | |
| 3 | 12521330/0 | 1 | Rosetta | Washer | Rondelle | Scheibe | |
| 4 | 12154510/0 | 1 | Dado | Nut | Ecrou | Mutter | |
| 5 | 118390020/0 | 1 | Fermacavo | Fairlead | Fixation Cable | Kabelbefestigung | |
| 6 | 181030053/0 | 1 | Cavo Freno Motore | Cable, Thread Eng. Brake | Cable Frein Moteur | Kabel, Motorbremse | 484 (GGP 140-160-196 / B&S 625-675) |
| 6 | 181030054/0 | 1 | Cavo Freno Motore | Cable, Thread Engine Brake | Cable Frein Moteur | Kabel, Motorbremse | 484 (GGP M150-V35-SV40) |
| 6 | 181030056/0 | 1 | Cavo Freno Motore | Cable, Thread Engine Brake | Cable Frein Moteur | Kabel, Motorbremse | 484 (B&S 450-500-550 / HONDA 135-160-190) |
| 7 | 322545204/0 | 1 | Fulcro | Fulcrum Pin | Point D'Appui | Gelenkpunkt | |
| 8 | 22041966/0 | 2 | Bussola | Bush | Douille | Buchse | |
| 9 | 181003300/0 | 1 | Leva Freno Motore | Lever, Engine Brake | Levier Frein Moteur | Hebel, Motorbremse | |
| 10 | 381030051/0 | 1 | Cavo Comando Trazione | Cable, Rear Drive | Câble, Commande Traction | Kabel, Antrieb | |
| 11 | 22041966/0 | 2 | Bussola | Bush | Douille | Buchse | |
| 12 | 181003301/0 | 1 | Leva Trazione | Lever, Driving | Levier Traction | Hebel, Antrieb | |
| 13 | 22291050/0 | 1 | Impugnatura Manico Nera | Handgrip Black | Poignée Noire | Handgriff Schwarz | only for handle part no. 381006887/0 |
| 14 | 22551640/0 | 1 | Piastrina | Plate | Plaquette | Plättchen | |
| 15 | 12728640/0 | 1 | Vite | Screw | Vis | Schraube | |



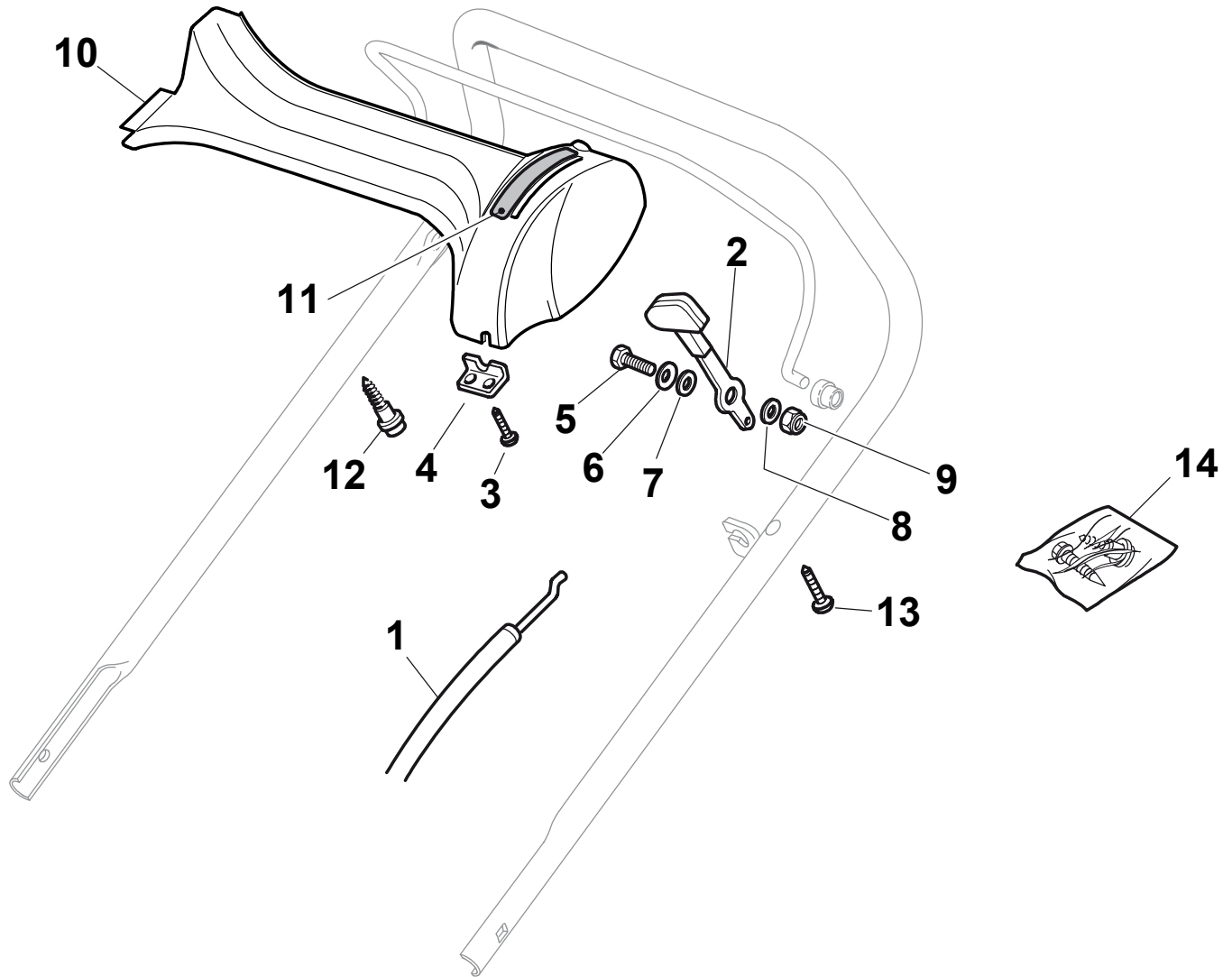
| N. | CODE | Q.TY | DESCRIZIONE | DESCRIPTION | DESCRIPTION | BESCHREIBUNG | REMARK |
|----|-------------|------|--|---|---|--------------------|---|
| 1 | 381006807/0 | 1 | Manico, Parte Sup. con impugnatura in spugna | Handle, Upper Part with sponge handgrip | Mancheron, Partie Superieure avec épave, partie | Handgriff Schwarz | |
| 1 | 381006887/0 | 1 | Manico, Parte Sup | Handle, Upper Part | Mancheron, Partie Superieure | Holm, Oberteil | |
| 2 | 22430313/0 | 1 | Molla Guida | Guide Spring | Ressort De Guide | Feder Führer | |
| 3 | 12521330/0 | 1 | Rosetta | Washer | Rondelle | Scheibe | |
| 4 | 12154510/0 | 1 | Dado | Nut | Ecrou | Mutter | |
| 5 | 118390020/0 | 1 | Fermacavo | Fairlead | Fixation Cable | Kabelbefestigung | |
| 6 | 181030053/0 | 1 | Cavo Freno Motore | Cable, Thread Eng. Brake | Cable Frein Moteur | Kabel, Motorbremse | 484 (GGP 140-160-196 / B&S 625-675) |
| 6 | 181030054/0 | 1 | Cavo Freno Motore | Cable, Thread Engine Brake | Cable Frein Moteur | Kabel, Motorbremse | 484 (GGP M150-V35-SV40) |
| 6 | 181030056/0 | 1 | Cavo Freno Motore | Cable, Thread Engine Brake | Cable Frein Moteur | Kabel, Motorbremse | 484 (B&S 450-500-550 / HONDA 135-160-190) |
| 7 | 322545204/0 | 1 | Fulcro | Fulcrum Pin | Point D'Appui | Gelenkpunkt | |
| 8 | 22041966/0 | 2 | Bussola | Bush | Douille | Buchse | |
| 9 | 181003300/0 | 1 | Leva Freno Motore | Lever, Engine Brake | Levier Frein Moteur | Hebel, Motorbremse | |
| 13 | 22291050/0 | 1 | Impugnatura Manico Nera | Handgrip Black | Poignée Noire | Handgriff Schwarz | only for handle part no. 381006887/0 |
| 14 | 22551640/0 | 1 | Piastrina | Plate | Plaquette | Plättchen | |
| 15 | 12728640/0 | 1 | Vite | Screw | Vis | Schraube | |



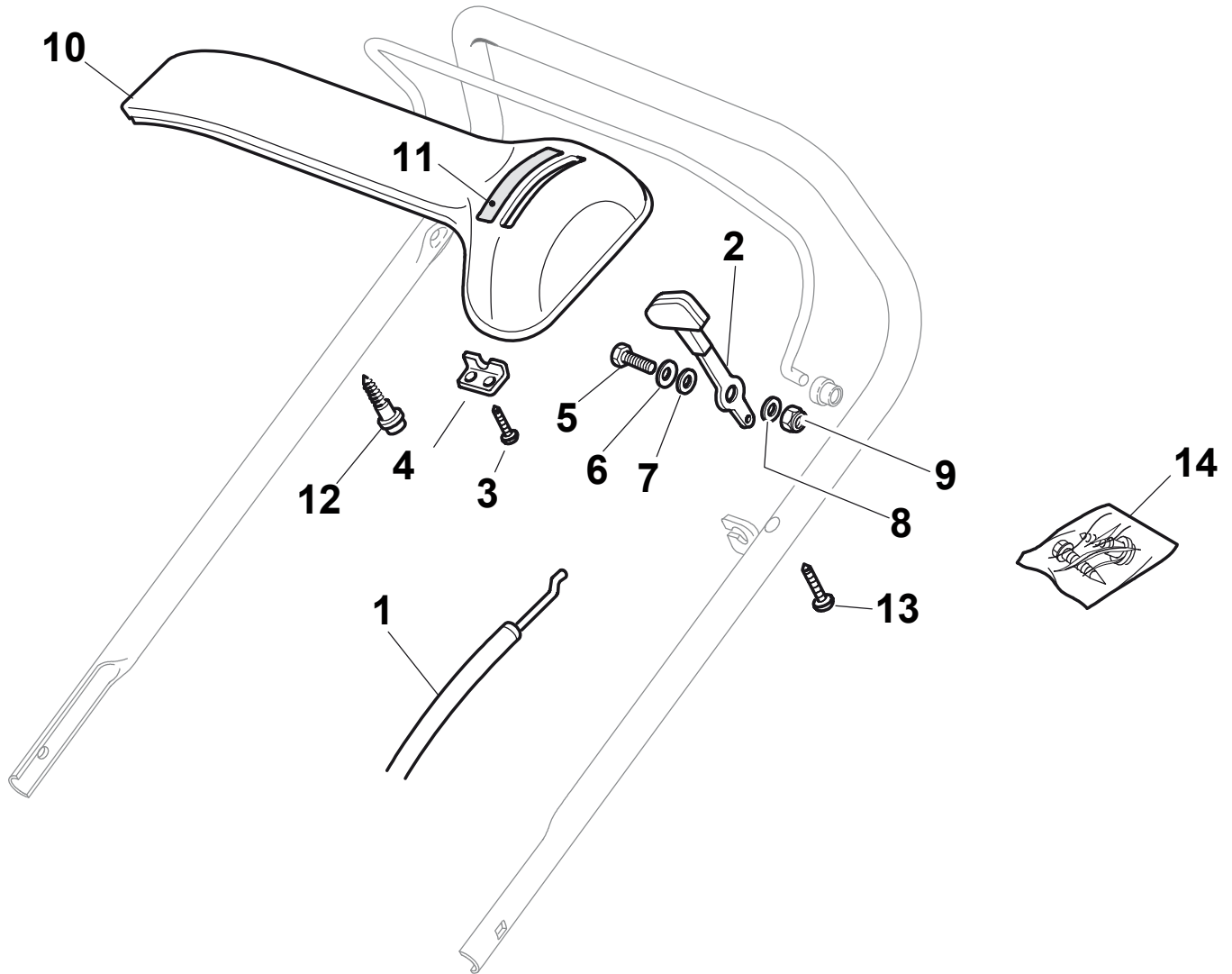
| N. | CODE | Q.TY | DESCRIZIONE | DESCRIPTION | DESCRIPTION | BESCHREIBUNG | REMARK |
|----|-------------|------|--------------------------------|--------------------------|---------------------------------|-----------------------------|--------|
| 1 | 381006893/0 | 1 | Manico, Parte Sup | Handle, Upper Part | Mancheron, Partie Superieure | Holm, Oberteil | |
| 2 | 22430313/0 | 1 | Molla Guida | Guide Spring | Ressort De Guide | Feder Führer | |
| 3 | 12521330/0 | 1 | Rosetta | Washer | Rondelle | Scheibe | |
| 4 | 12154510/0 | 1 | Dado | Nut | Ecrou | Mutter | |
| 5 | 118390020/0 | 1 | Fermacavo | Fairlead | Fixation Cable | Kabelbefestigung | |
| 6 | 381030060/0 | 1 | Cavo Comando Frizione Meccanic | Cable, Mechanical Clutch | Câble, Commande Embrayage Mecan | Kabel, Mechanische Kupplung | |
| 8 | 22041966/0 | 2 | Bussola | Bush | Douille | Buchse | |
| 9 | 181003332/1 | 1 | Leva Freno Motore | Lever, Engine Brake | Levier Frein Moteur | Hebel, Motorbremse | |
| 10 | 381030051/0 | 1 | Cavo Comando Trazione | Cable, Rear Drive | Câble, Commande Traction | Kabel, Antrieb | |
| 11 | 22041966/0 | 2 | Bussola | Bush | Douille | Buchse | |
| 12 | 181003301/0 | 1 | Leva Trazione | Lever, Driving | Levier Traction | Hebel, Antrieb | |
| 13 | 22291050/0 | 1 | Impugnatura Manico Nera | Handgrip Black | Poignée Noire | Handgriff Schwarz | |
| 14 | 12728688/0 | 1 | Vite | Screw | Vis | Schraube | |
| 15 | 322545207/0 | 1 | Protezione Dx | R Protection | Protection D | Rechte Schutz | |
| 16 | 322545208/0 | 1 | Protezione Sx | L Protection | Protection G | Linke Schutz | |
| 17 | 22551640/0 | 1 | Piastrina | Plate | Plaquette | Plättchen | |
| 18 | 12728640/0 | 1 | Vite | Screw | Vis | Schraube | |



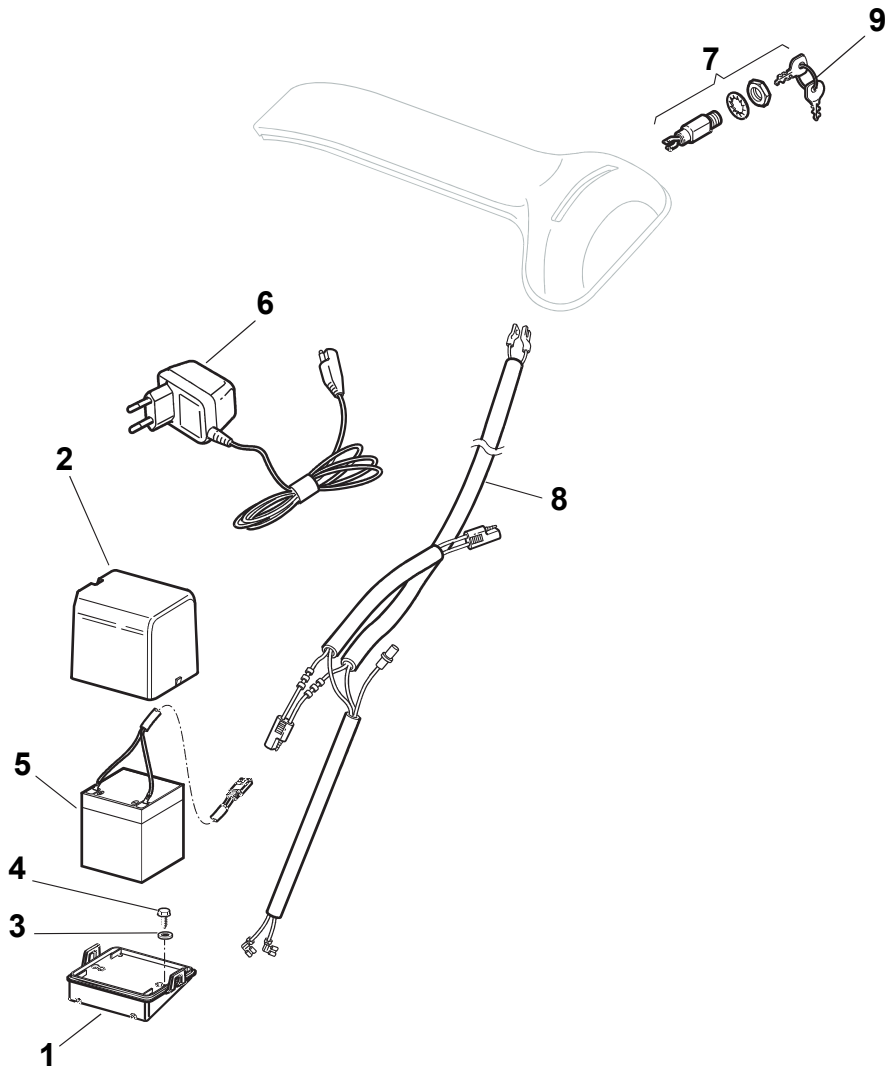
| N. | CODE | Q.TY | DESCRIZIONE | DESCRIPTION | DESCRIPTION | BESCHREIBUNG | REMARK |
|----|-------------|------|-------------------|----------------|---------------------|----------------|--------------------------------------|
| 1 | 181005501/1 | 1 | Cavo Acceleratore | Throttle Cable | Cable, Accelérateur | Gashebel Kabel | (GGP 140-160-190 cc) |
| 1 | 181005501/1 | 1 | Cavo Acceleratore | Throttle Cable | Cable, Accelérateur | Gashebel Kabel | (Honda GCV 135-160-190) |
| 1 | 181005502/1 | 1 | Cavo Acceleratore | Throttle Cable | Cable, Accelérateur | Gashebel Kabel | (B&S 450-500-550-625-675-700) |
| 1 | 181005503/1 | 1 | Cavo Acceleratore | Throttle Cable | Cable, Accelérateur | Gashebel Kabel | (Honda GCV 135-160-190 Autochoke) |
| 1 | 181005504/1 | 1 | Cavo Acceleratore | Throttle Cable | Cable, Accelérateur | Gashebel Kabel | (Ggp 150cc) |
| 2 | 12735103/0 | 1 | Vite | Screw | Vis | Schraube | |
| 3 | 12523040/0 | 1 | Rosetta | Washer | Rondelle | Scheibe | |



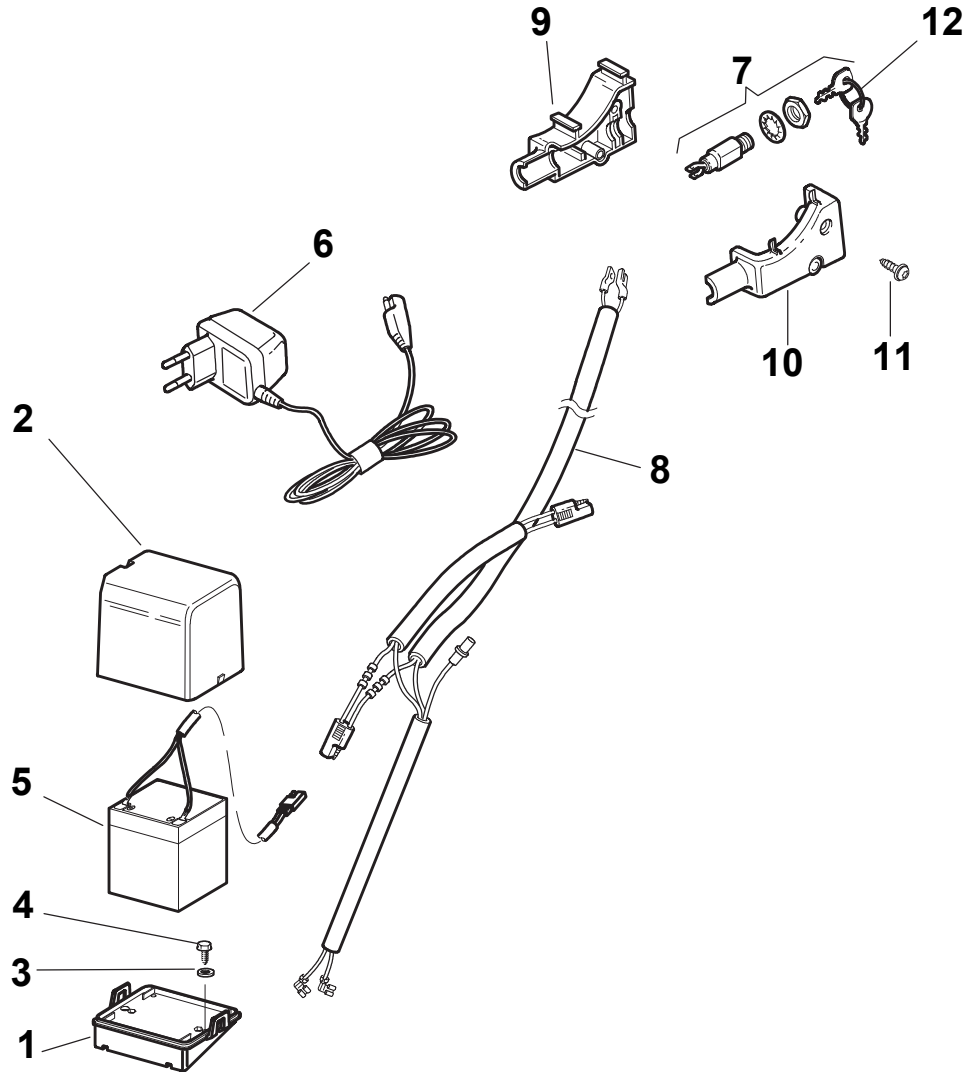
| N. | CODE | Q.TY | DESCRIZIONE | DESCRIPTION | DESCRIPTION | BESCHREIBUNG | REMARK |
|----|-------------|------|-----------------------------|---------------------------|---------------------------|-------------------------|---|
| 1 | 81007160/0 | 1 | Cavo Acceleratore | Throttle Cable | Cable, Accelérateur | Gashebel Kabel | |
| 2 | 81007221/0 | 1 | Leva, Acceleratore | Lever, Throttle | Levier, | Hebel, Beshleuniger | (B&S 450-500 Series - GGP 150 cc) |
| 2 | 81007280/2 | 1 | Leva, Acceleratore | Lever, Throttle | Levier, | Hebel, Beshleuniger | (B&S 625-675-700 Series - Honda - GGP 140-160-196 cc) |
| 3 | 12735105/0 | 2 | Vite | Screw | Vis | Schraube | |
| 4 | 22981467/0 | 1 | Piastrina | Plate | Plaquette | Platte | |
| 5 | 12791500/0 | 1 | Vite | Screw | Vis | Schraube | |
| 6 | 12530060/0 | 1 | Rosetta Elastica | Elastic Washer | Rondelle Elastique | Elastische Scheibe | |
| 7 | 12523040/0 | 1 | Rosetta | Washer | Rondelle | Scheibe | |
| 8 | 12523040/0 | 1 | Rosetta | Washer | Rondelle | Scheibe | |
| 9 | 12154510/0 | 1 | Dado | Nut | Ecrou | Mutter | |
| 10 | 22120172/0 | 1 | Cruscotto Nero | Dash Board Black | Console Noire | Konsole Schwarze | |
| 10 | 22120173/0 | 1 | Cruscotto Rosso | Dash Board Red | Console Rouge | Konsole Rote | |
| 10 | 22120174/0 | 1 | Cruscotto Giallo | Dash Board Yellow | Console Jaune | Konsole Gelbe | |
| 11 | 114356743/1 | 1 | Etichetta | Label | Etiquette | Etikette | (GGP) |
| 11 | 114356743/1 | 1 | Etichetta | Label | Etiquette | Etikette | (Honda) |
| 11 | 114356744/1 | 1 | Etichetta | Label | Etiquette | Etikette | (B&S) |
| 11 | 114356906/1 | 1 | Etichetta | Label | Etiquette | Etikette | (B&S 700 series DOV) |
| 11 | 114357646/1 | 1 | Etichetta | Label | Etiquette | Etikette | (Honda GCV 160-190 Autochoke) |
| 12 | 22943006/0 | 1 | Vite | Screw | Vis | Schraube | |
| 13 | 12728460/0 | 1 | Vite | Screw | Vis | Schraube | |
| 14 | 81008609/0 | 1 | Dotazione Viteria Cruscotto | Outfit, Dash-Board Screws | Dotation Visserie Console | Satz, Konsole Schrauben | |



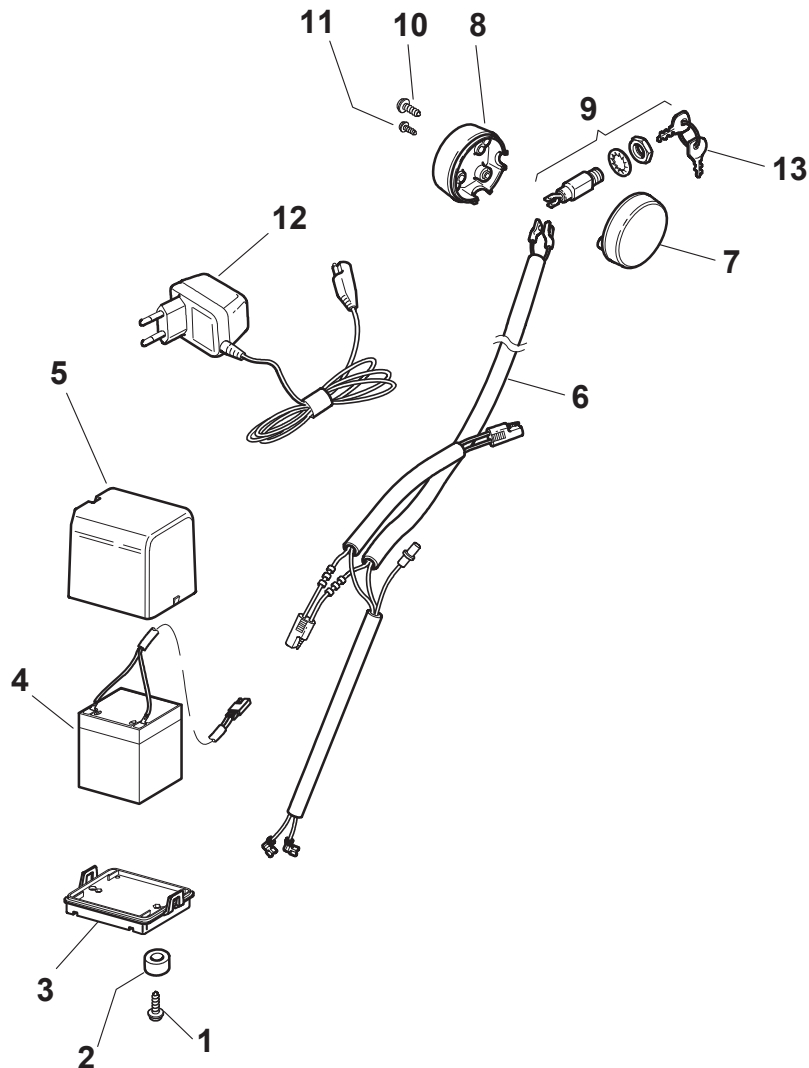
| N. | CODE | Q.TY | DESCRIZIONE | DESCRIPTION | DESCRIPTION | BESCHREIBUNG | REMARK |
|----|-------------|------|-----------------------------|---------------------------|---------------------------|-------------------------|---|
| 1 | 81007160/0 | 1 | Cavo Acceleratore | Throttle Cable | Cable, Accelérateur | Gashebel Kabel | |
| 2 | 81007221/0 | 1 | Leva, Acceleratore | Lever, Throttle | Levier, | Hebel, Beschleuniger | (B&S 450-500 Series - GGP 150 cc) |
| 2 | 81007280/2 | 1 | Leva, Acceleratore | Lever, Throttle | Levier, | Hebel, Beschleuniger | (B&S 625-675-700 Series - Honda - GGP 140-160-196 cc) |
| 3 | 12735105/0 | 2 | Vite | Screw | Vis | Schraube | |
| 4 | 22981467/0 | 1 | Piastrina | Plate | Plaquette | Platte | |
| 5 | 12791500/0 | 1 | Vite | Screw | Vis | Schraube | |
| 6 | 12530060/0 | 1 | Rosetta Elastica | Elastic Washer | Rondelle Elastique | Elastische Scheibe | |
| 7 | 12523040/0 | 1 | Rosetta | Washer | Rondelle | Scheibe | |
| 8 | 12523040/0 | 1 | Rosetta | Washer | Rondelle | Scheibe | |
| 9 | 12154510/0 | 1 | Dado | Nut | Ecrou | Mutter | |
| 10 | 22120152/0 | 1 | Cruscotto Giallo | Dash Board Yellow | Console Jaune | Konsole Gelbe | |
| 10 | 22120154/0 | 1 | Cruscotto Rosso | Dash Board Red | Console Rouge | Konsole Rote | |
| 10 | 22120158/0 | 1 | Cruscotto Nero | Dash Board Black | Console Noire | Konsole Schwarze | |
| 11 | 114356743/1 | 1 | Etichetta | Label | Etiquette | Etikette | (GGP) |
| 11 | 114356743/1 | 1 | Etichetta | Label | Etiquette | Etikette | (Honda) |
| 11 | 114356744/1 | 1 | Etichetta | Label | Etiquette | Etikette | (B&S) |
| 11 | 114356906/1 | 1 | Etichetta | Label | Etiquette | Etikette | (B&S 700 series DOV) |
| 11 | 114357646/1 | 1 | Etichetta | Label | Etiquette | Etikette | (Honda GCV 160-190 Autochoke) |
| 12 | 22943006/0 | 1 | Vite | Screw | Vis | Schraube | |
| 13 | 12728460/0 | 1 | Vite | Screw | Vis | Schraube | |
| 14 | 81008609/0 | 1 | Dotazione Viteria Cruscotto | Outfit, Dash-Board Screws | Dotation Visserie Console | Satz, Konsole Schrauben | |



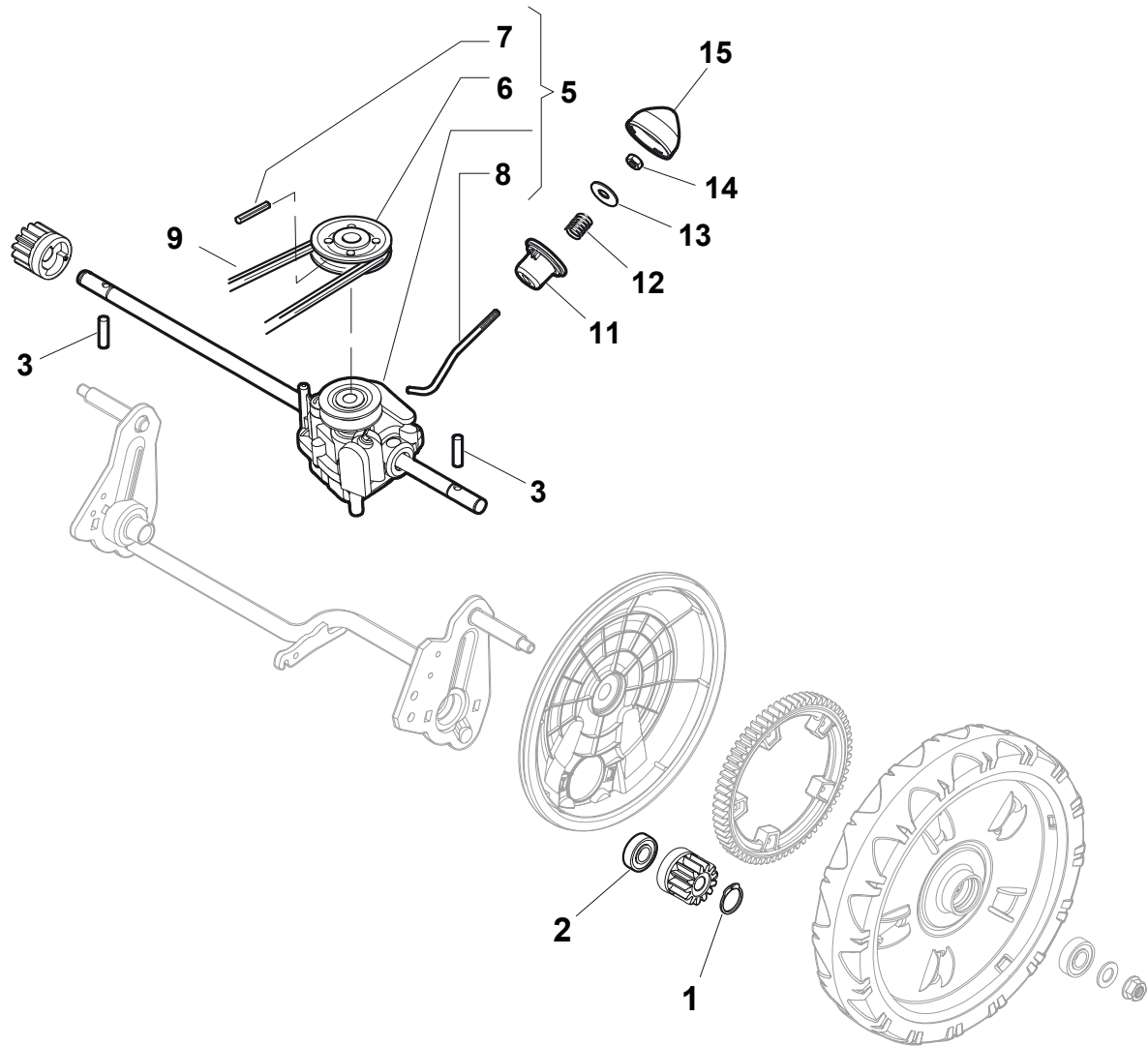
| N. | CODE | Q.TY | DESCRIZIONE | DESCRIPTION | DESCRIPTION | BESCHREIBUNG | REMARK |
|----|-------------|------|-------------------|------------------|------------------|---------------------|-------------|
| 1 | 22785123/0 | 1 | Supporto Batteria | Support, Battery | Support Batterie | Halter, Batterie | |
| 2 | 22109530/0 | 1 | Coperchio | Cover | Couvercle | Deckel | |
| 3 | 12521310/0 | 2 | Rondella | Washer | Rondelle | Scheibe | |
| 4 | 12731590/0 | 2 | Vite | Screw | Vis | Schraube | |
| 5 | 18120052/0 | 1 | Batteria | Battery | Batterie | Batterie | |
| 6 | 18204120/0 | 1 | Carica Batteria | Battery Charger | Chargeur De | Ladgerät | (CE) |
| 6 | 18204121/0 | 1 | Carica Batteria | Battery Charger | Chargeur De | Ladgerät | (UK) |
| 7 | 18450050/0 | 1 | Interruttore | Switch | Interrupteur | Schalter | |
| 8 | 118204192/3 | 1 | Cavo Avviamento | Cable, Start | Cable Démarrage | Kabel, Start | (B&S - GGP) |
| 8 | 18204198/0 | 1 | Cavo Avviamento | Cable, Start | Cable Démarrage | Kabel, Start | (Honda) |
| 9 | 18210016/1 | 1 | Chiave Avviamento | Starting Key | Clef A Demarrage | Schlüssel Für Start | |



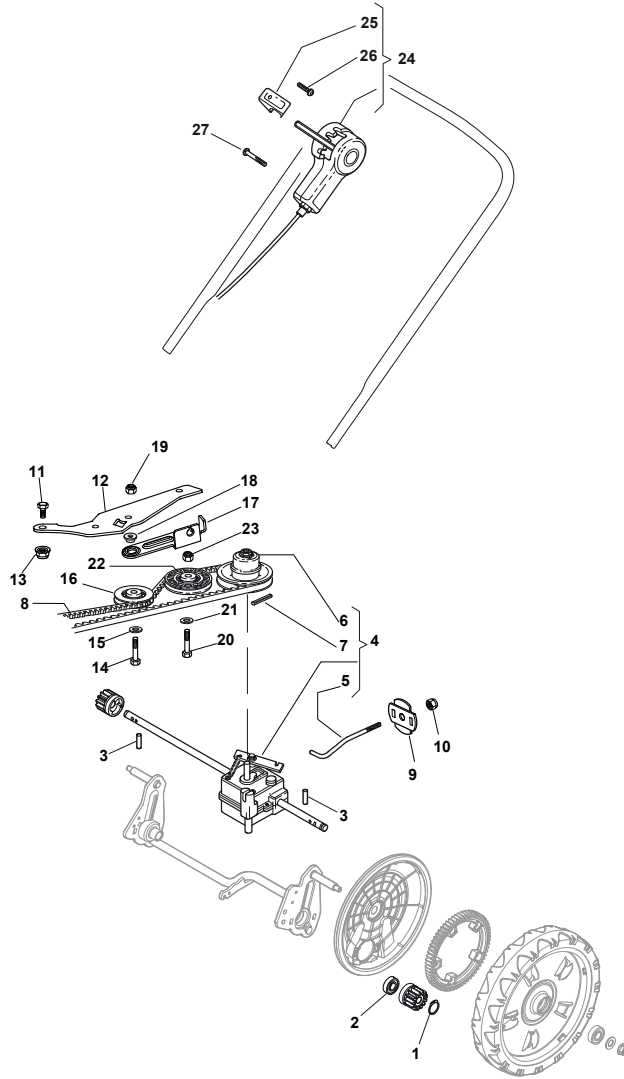
| N. | CODE | Q.TY | DESCRIZIONE | DESCRIPTION | DESCRIPTION | BESCHREIBUNG | REMARK |
|----|-------------|------|-------------------|------------------|------------------|---------------------|-------------|
| 1 | 22785123/0 | 1 | Supporto Batteria | Support, Battery | Support Batterie | Halter, Batterie | |
| 2 | 22109530/0 | 1 | Coperchio | Cover | Couvercle | Deckel | |
| 3 | 12521310/0 | 2 | Rondella | Washer | Rondelle | Scheibe | |
| 4 | 12731590/0 | 2 | Vite | Screw | Vis | Schraube | |
| 5 | 18120052/0 | 1 | Batteria | Battery | Batterie | Batterie | |
| 6 | 18204120/0 | 1 | Carica Batteria | Battery Charger | Chargeur De | Ladgerät | (CE) |
| 6 | 18204121/0 | 1 | Carica Batteria | Battery Charger | Chargeur De | Ladgerät | (UK) |
| 7 | 18450050/0 | 1 | Interruttore | Switch | Interrupteur | Schalter | |
| 8 | 118204192/3 | 1 | Cavo Avviamento | Cable, Start | Cable Démarrage | Kabel, Start | (B&S - GGP) |
| 8 | 18204198/0 | 1 | Cavo Avviamento | Cable, Start | Cable Démarrage | Kabel, Start | (Honda) |
| 9 | 22722804/0 | 1 | Protezione Dx | R Protection | Protection D | Rechte Schutz | |
| 10 | 22722805/0 | 1 | Protezione Sx | L Protection | Protection G | Linke Schutz | |
| 11 | 12728300/0 | 1 | Vite | Screw | Vis | Schraube | |
| 12 | 18210016/1 | 1 | Chiave Avviamento | Starting Key | Clef A Demarrage | Schlüssel Für Start | |



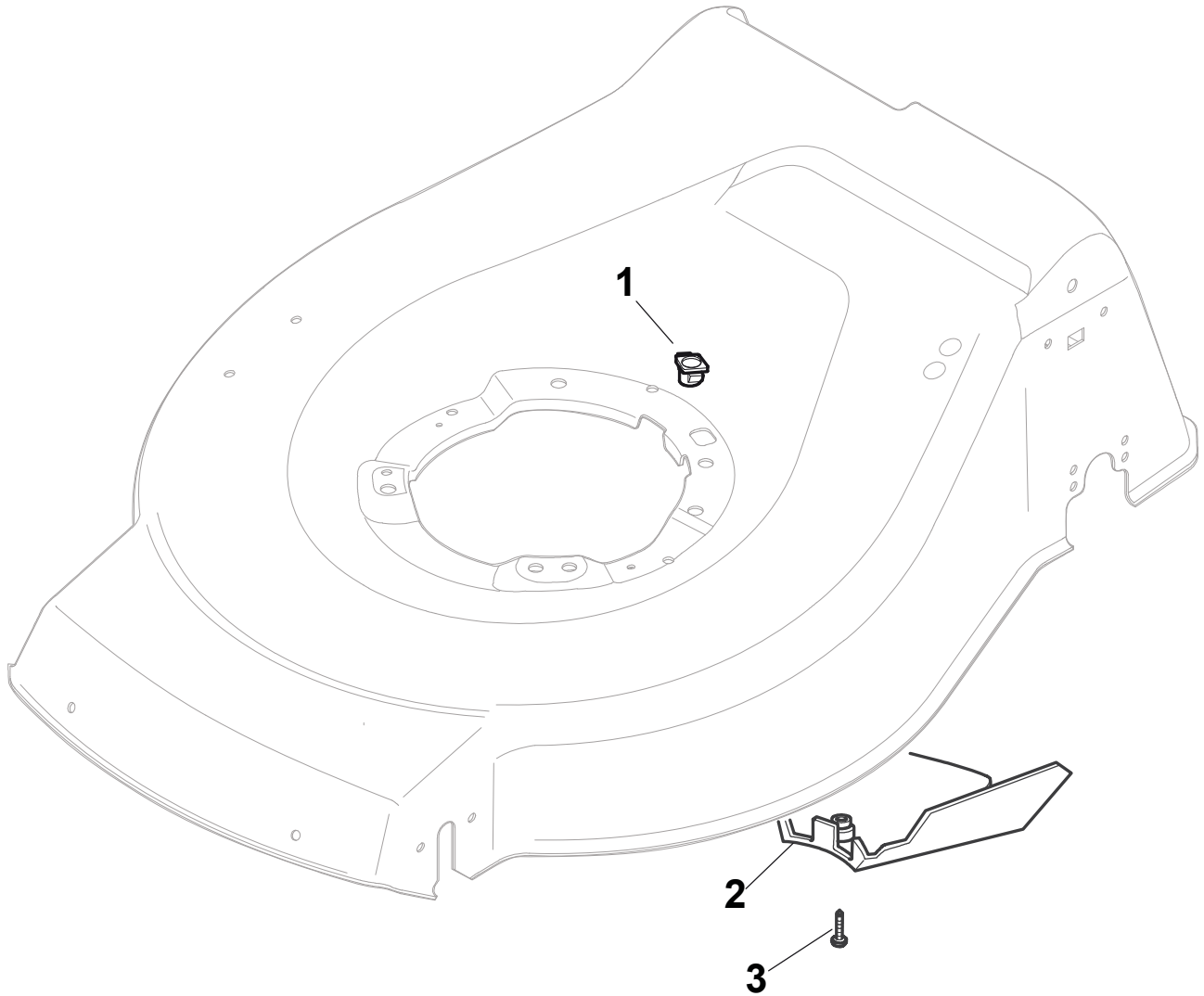
| N. | CODE | Q.TY | DESCRIZIONE | DESCRIPTION | DESCRIPTION | BESCHREIBUNG | REMARK |
|----|-------------|------|-------------------|------------------|------------------|---------------------|-------------|
| 1 | 12728535/0 | 2 | Vite | Screw | Vis | Schraube | |
| 1 | 12728702/0 | 2 | Vite | Screw | Vis | Schraube | |
| 1 | 22785123/0 | 1 | Supporto Batteria | Support, Battery | Support Batterie | Halter, Batterie | |
| 2 | 22109530/0 | 1 | Coperchio | Cover | Couvercle | Deckel | |
| 2 | 25160012/0 | 2 | Distanziale | Spacer | Entretoise | Distanzring | |
| 3 | 12521310/0 | 2 | Rondella | Washer | Rondelle | Scheibe | |
| 3 | 22785122/0 | 1 | Supporto Batteria | Support, Battery | Support Batterie | Halter, Batterie | |
| 4 | 12731590/0 | 2 | Vite | Screw | Vis | Schraube | |
| 4 | 18120052/0 | 1 | Batteria | Battery | Batterie | Batterie | |
| 5 | 18120052/0 | 1 | Batteria | Battery | Batterie | Batterie | |
| 5 | 22109530/0 | 1 | Coperchio | Cover | Couvercle | Deckel | |
| 6 | 18204120/0 | 1 | Carica Batteria | Battery Charger | Chargeur De | Ladgerät | (CE) |
| 6 | 18204121/0 | 1 | Carica Batteria | Battery Charger | Chargeur De | Ladgerät | (Uk) |
| 6 | 18204197/0 | 1 | Cavo Avviamento | Cable, Start | Cable Démarrage | Kabel, Start | |
| 7 | 118204192/3 | 1 | Cavo Avviamento | Cable, Start | Cable Démarrage | Kabel, Start | (B&S - GGP) |
| 7 | 18204198/0 | 1 | Cavo Avviamento | Cable, Start | Cable Démarrage | Kabel, Start | (Honda) |
| 7 | 22722801/0 | 1 | Protezione Sx | L Protection | Protection G | Linke Schutz | |
| 8 | 22722800/0 | 1 | Protezione Dx | R Protection | Protection D | Rechte Schutz | |
| 9 | 18450050/0 | 1 | Interruttore | Switch | Interrupteur | Schalter | |
| 9 | 22722801/0 | 1 | Protezione Sx | L Protection | Protection G | Linke Schutz | |
| 10 | 12728300/0 | 2 | Vite | Screw | Vis | Schraube | |
| 10 | 12728702/0 | 2 | Vite | Screw | Vis | Schraube | |
| 11 | 12728691/0 | 1 | Vite | Screw | Vis | Schraube | |
| 12 | 18204120/0 | 1 | Carica Batteria | Battery Charger | Chargeur De | Ladgerät | (CE) |
| 12 | 18204121/0 | 1 | Carica Batteria | Battery Charger | Chargeur De | Ladgerät | (UK) |
| 12 | 18450050/0 | 1 | Interruttore | Switch | Interrupteur | Schalter | |
| 13 | 18210016/1 | 1 | Chiave Avviamento | Starting Key | Clef A Demarrage | Schlüssel Für Start | |



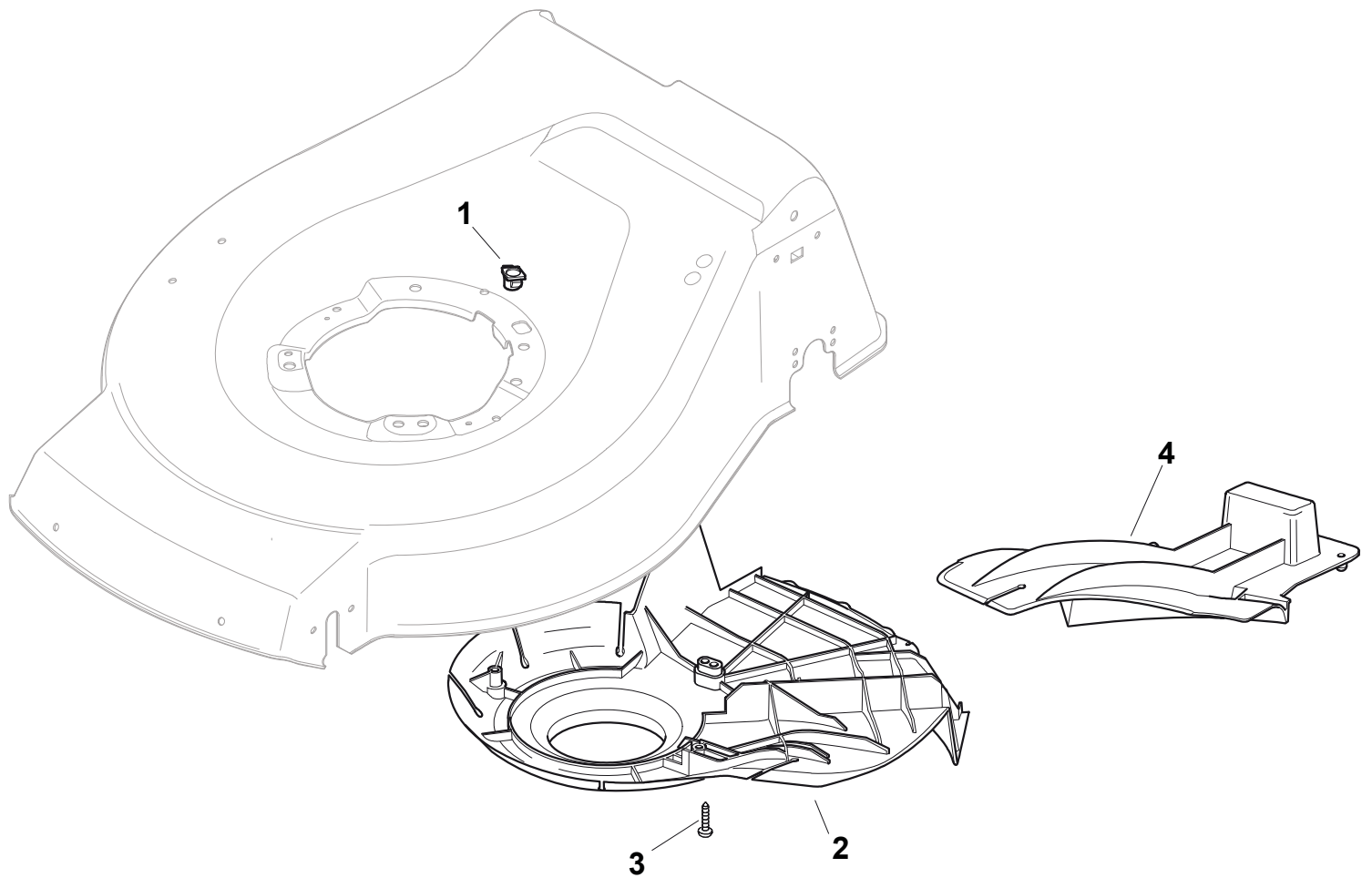
| N. | CODE | Q.TY | DESCRIZIONE | DESCRIPTION | DESCRIPTION | BESCHREIBUNG | REMARK |
|----|------------|------|------------------|----------------|-----------------|-------------------|--------|
| 1 | 12608600/0 | 2 | Seeger | Seeger | Seeger | Seeger | |
| 2 | 19216035/0 | 2 | Cuscinetto | Bearing | Coussinet | Lager | |
| 3 | 22753000/0 | 2 | Spina | Pin | Goupille | Stift | |
| 5 | 81003092/0 | 1 | Gruppo Trazione | Gear Box | Groupe Traction | Antrieb | |
| 6 | 22601904/0 | 1 | Puleggia | Pulley | Poulie | Riemenscheibe | |
| 7 | 12645700/0 | 1 | Spina | Pin | Goupille | Stift | |
| 8 | 22033283/0 | 1 | Asta Regolazione | Adjustment Rod | Tige Reglage | Verstellungstange | |
| 9 | 35063800/0 | 1 | Cinghia Z 27 | Belt Z 27 | Courroie Z 27 | Riemen Z 27 | |
| 11 | 22041957/1 | 1 | Bussola | Bush | Douille | Buchse | |
| 12 | 22450063/0 | 1 | Molla | Spring | Ressort | Feder | |
| 13 | 22680009/0 | 1 | Rosetta | Washer | Rondelle | Scheibe | |
| 14 | 12154510/0 | 1 | Dado | Nut | Ecrou | Mutter | |
| 15 | 22110230/0 | 1 | Tappo | Cap | Bouchon | Gummistopfen | |



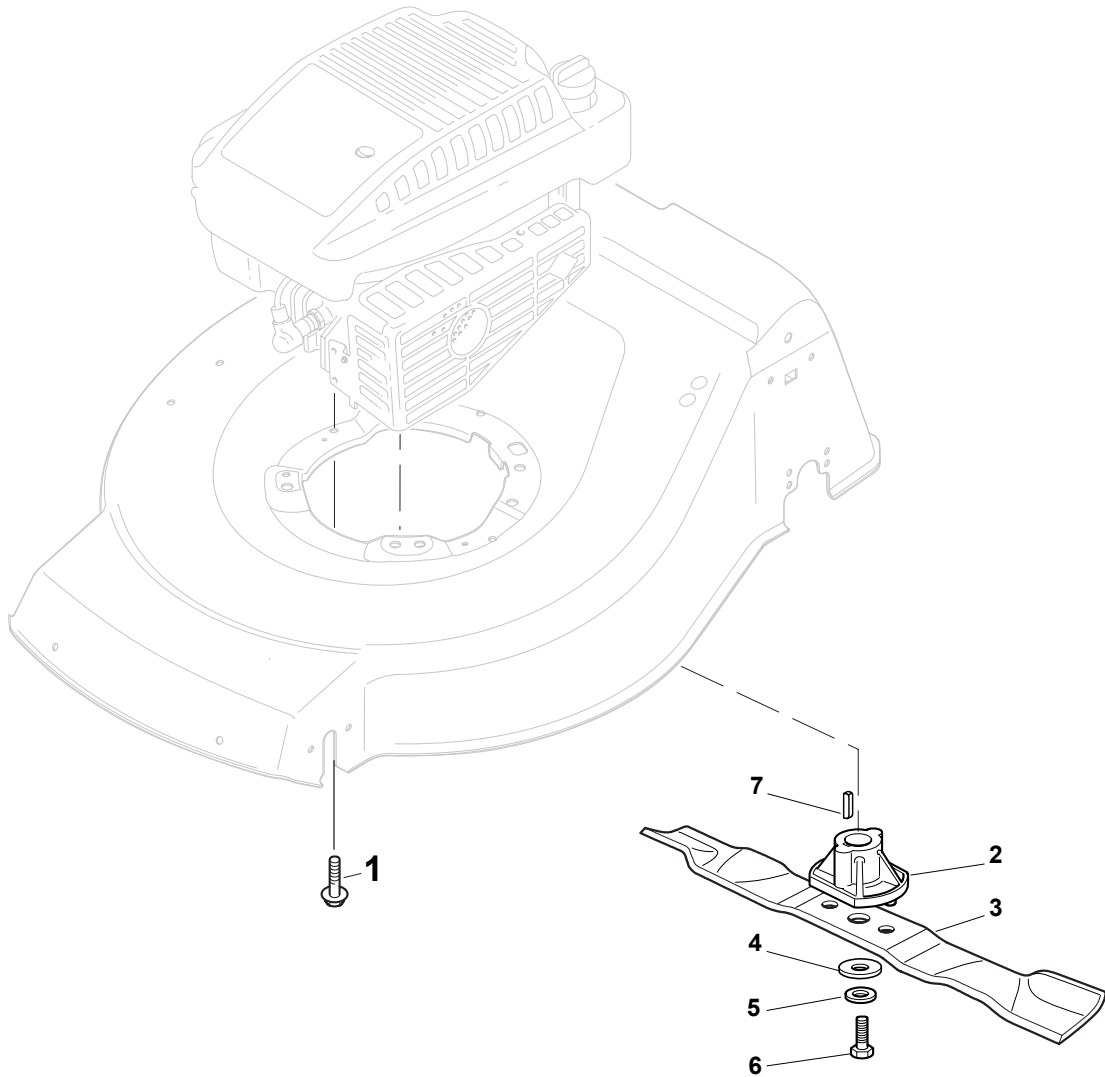
| N. | CODE | Q.TY | DESCRIZIONE | DESCRIPTION | DESCRIPTION | BESCHREIBUNG | REMARK |
|----|-------------|------|--------------------|----------------------------|---------------------------------|----------------------|--------|
| 1 | 12608600/0 | 2 | Seeger | Seeger | Seeger | Seeger | |
| 2 | 19216035/0 | 2 | Cuscinetto | Bearing | Coussinet | Lager | |
| 3 | 22753000/0 | 2 | Spina | Pin | Goupille | Stift | |
| 4 | 181003102/0 | 1 | Gruppo Trazione | Gear Box | Groupe Traction | Antrieb | |
| 5 | 22033285/0 | 1 | Asta Regolazione | Adjustment Rod | Tige Reglage | Verstellungstange | |
| 6 | 122601925/0 | 1 | Puleggia | Pulley | Poulie | Riemenscheibe | |
| 7 | 12645700/0 | 1 | Spina | Pin | Goupille | Stift | |
| 8 | 35064005/0 | 1 | Cinghia Spzx 750 | Belt Spzx 750 | Courroie Spzx 750 | Riemen Spzx 750 | |
| 11 | 12791011/0 | 1 | Vite | Screw | Vis | Schraube | |
| 12 | 322806625/1 | 1 | Supporto | Support | Support | Halter | |
| 13 | 12292102/0 | 1 | Dado | Nut | Ecrou | Mutter | |
| 14 | 12689500/0 | 1 | Vite | Screw | Vis | Schraube | |
| 15 | 12523050/0 | 1 | Rosetta | Washer | Rondelle | Scheibe | |
| 16 | 22601915/0 | 1 | Puleggia | Pulley | Poulie | Riemenscheibe | |
| 17 | 22806623/0 | 1 | Supporto | Support | Support | Halter | |
| 18 | 22671656/0 | 1 | Rosetta | Washer | Rondelle | Scheibe | |
| 19 | 12154510/0 | 1 | Dado | Nut | Ecrou | Mutter | |
| 20 | 12674700/0 | 1 | Vite | Screw | Vis | Schraube | |
| 21 | 12523050/0 | 1 | Rosetta | Washer | Rondelle | Scheibe | |
| 22 | 22601914/0 | 1 | Puleggia | Pulley | Poulie | Riemenscheibe | |
| 23 | 12154510/0 | 1 | Dado | Nut | Ecrou | Mutter | |
| 24 | 81007109/0 | 1 | Cavo Comando Marce | Cable, Speed Drive Control | Cable, Comm. Changement Vitesse | Kabel, Gangeschaltun | |
| 25 | 22399809/0 | 1 | Manopolina | Knob | Poignée | Griff | |
| 26 | 12728300/0 | 1 | Vite | Screw | Vis | Schraube | |
| 27 | 12728702/0 | 2 | Vite | Screw | Vis | Schraube | |



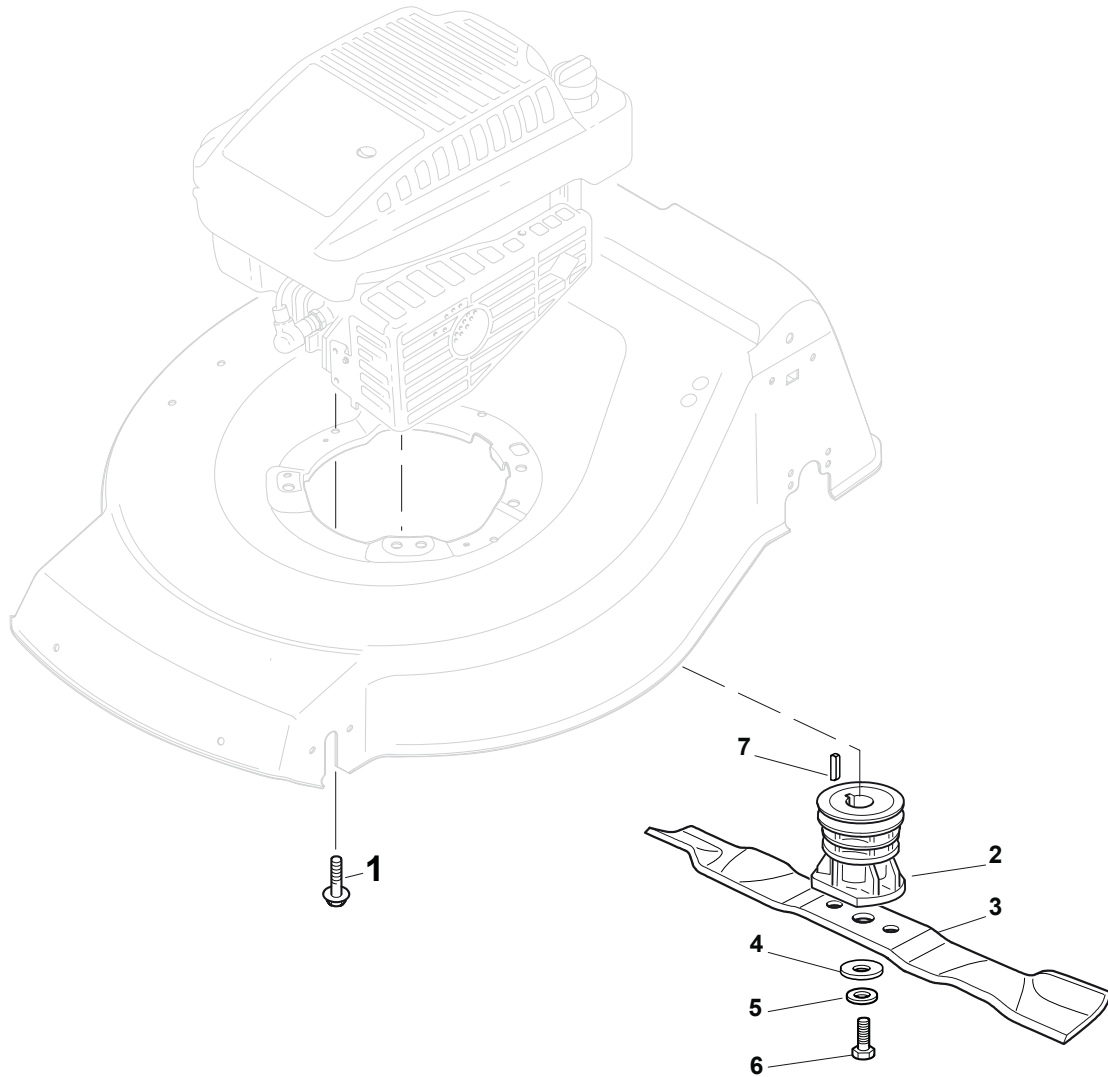
| N. | CODE | Q.TY | DESCRIZIONE | DESCRIPTION | DESCRIPTION | BESCHREIBUNG | REMARK |
|----|------------|------|------------------|------------------|-------------|----------------|--------|
| 1 | 22291150/0 | 1 | Inserto In Gomma | Rubber Insert | Insert De | Gummi Einsatz | |
| 2 | 22060192/0 | 1 | Carter Cinghia | Protection, Belt | Protection | Schutz, Riemen | |
| 3 | 12728530/0 | 1 | Vite | Screw | Vis | Schraube | |



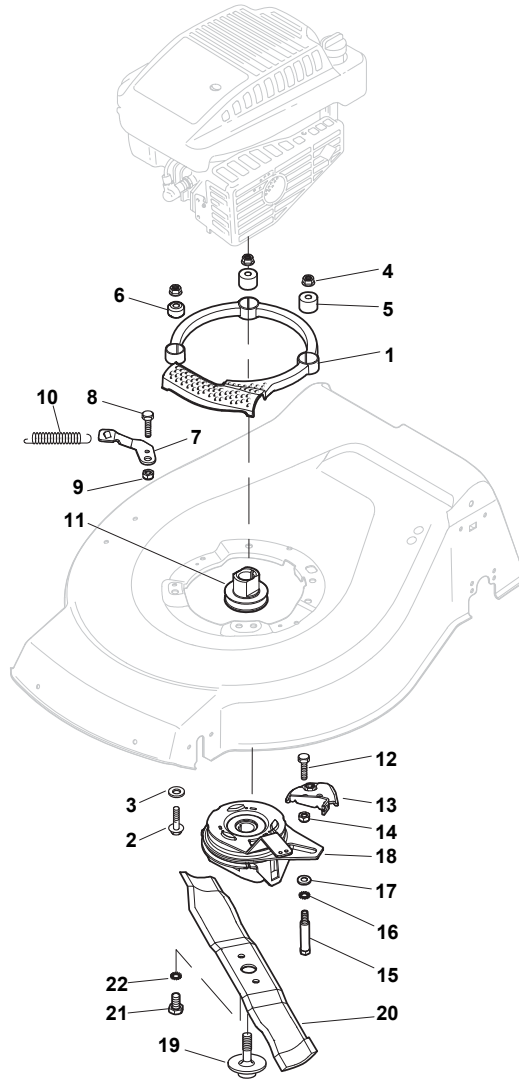
| N. | CODE | Q.TY | DESCRIZIONE | DESCRIPTION | DESCRIPTION | BESCHREIBUNG | REMARK |
|----|------------|------|------------------|---------------|-------------|---------------|--------|
| 1 | 22291150/0 | 1 | Inserto In Gomma | Rubber Insert | Insert De | Gummi Einsatz | |
| 2 | 22060198/0 | 1 | Carter | Protection | Protection | Schutz | |
| 3 | 12728530/0 | 3 | Vite | Screw | Vis | Schraube | |
| 4 | 22140223/0 | 1 | Deflettore | Deflector | Deflecteur | Deflektor | |



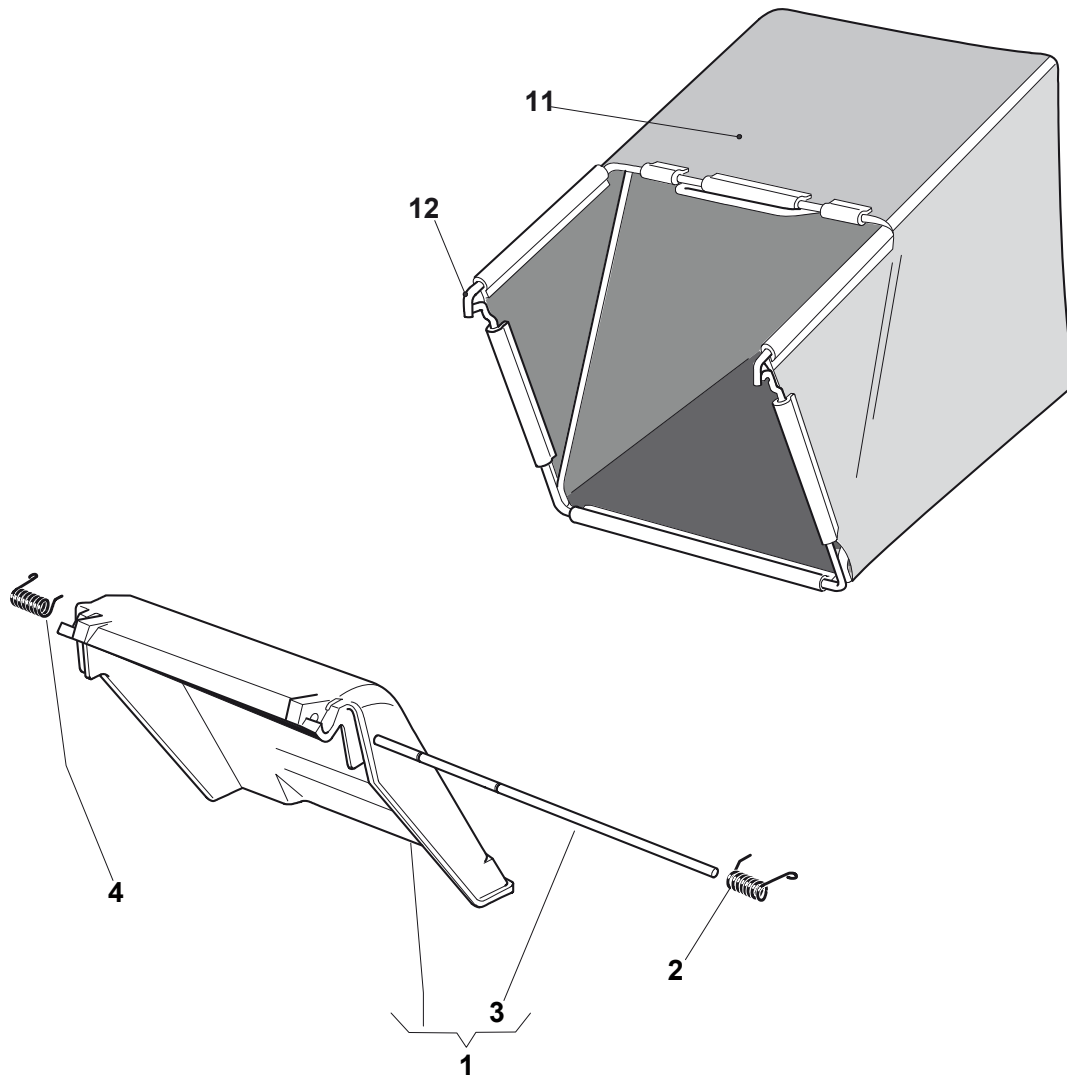
| N. | CODE | Q.TY | DESCRIZIONE | DESCRIPTION | DESCRIPTION | BESCHREIBUNG | REMARK |
|----|-------------|------|---------------------------------|----------------------------|-------------------------------|---------------------------|-------------|
| 1 | 112735108/1 | 2 | Vite | Screw | Vis | Schraube | (GGP 196cc) |
| 1 | 112735108/1 | 3 | Vite | Screw | Vis | Schraube | |
| 1 | 112735109/1 | 1 | Vite | Screw | Vis | Schraube | (GGP 196cc) |
| 2 | 122463020/1 | 1 | Mozzo, Albero Motore Ø 25 | Hub, Crankshaft Ø 25 | Moyeu, Arbre Moteur Ø 25 | Halter, Motorwelle Ø 25 | (Honda) |
| 2 | 22463012/2 | 1 | Mozzo, Albero Motore Ø 22.2 | Hub, Crankshaft Ø 22.2 | Moyeu, Arbre Moteur Ø 22.2 | Halter, Motorwelle Ø 22.2 | (B&S/GGP) |
| 3 | 181004458/0 | 1 | Coltello Standard | Blade Standard | Lame Standard | Messer Standard | |
| 4 | 22160400/0 | 1 | Disco Elastico | Elastic Washer | Rondelle Elastique | Elastischescheibe | |
| 5 | 12523080/0 | 1 | Rosetta | Washer | Rondelle | Scheibe | |
| 6 | 12735698/0 | 1 | Vite | Screw | Vis | Schraube | |
| 7 | 12139100/0 | 1 | Linguetta, Albero Motore Ø 22.2 | Feather, Crankshaft Ø 22.2 | Clavette, Arbre Moteur Ø 22.2 | Keil, Motorwelle Ø 22.2 | |
| 7 | 12139150/0 | 1 | Linguetta, Albero Motore Ø 25 | Feather, Crankshaft Ø 25 | Clavette, Arbre Moteur Ø 25 | Keil, Motorwelle Ø 25 | |



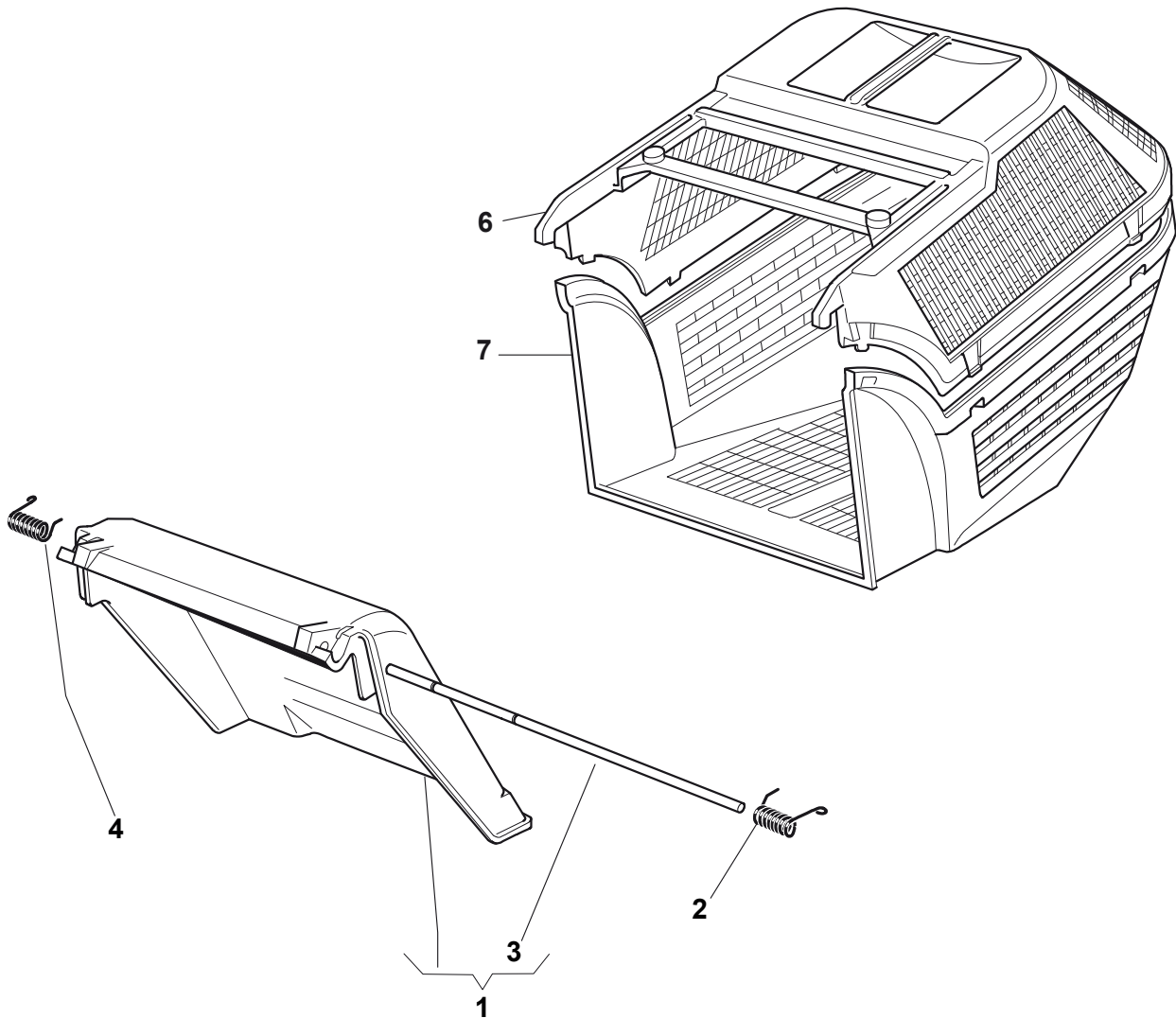
| N. | CODE | Q.TY | DESCRIZIONE | DESCRIPTION | DESCRIPTION | BESCHREIBUNG | REMARK |
|----|-------------|------|---------------------------------|----------------------------|-------------------------------|---------------------------|-------------|
| 1 | 112735108/1 | 2 | Vite | Screw | Vis | Schraube | (GGP 196cc) |
| 1 | 112735108/1 | 3 | Vite | Screw | Vis | Schraube | |
| 1 | 112735109/1 | 1 | Vite | Screw | Vis | Schraube | (GGP 196cc) |
| 2 | 122465607/3 | 1 | Mozzo, Albero Motore Ø 22.2 | Hub, Crankshaft Ø 22.2 | Moyeu, Arbre Moteur Ø 22.2 | Halter, Motorwelle Ø 22.2 | (B&S/GGP) |
| 2 | 122465608/2 | 1 | Mozzo, Albero Motore Ø 25 | Hub, Crankshaft Ø 25 | Moyeu, Arbre Moteur Ø 25 | Halter, Motorwelle Ø 25 | (Honda) |
| 3 | 181004458/0 | 1 | Coltello Standard | Blade Standard | Lame Standard | Messer Standard | |
| 4 | 22160400/0 | 1 | Disco Elastico | Elastic Washer | Rondelle Elastique | Elastischescheibe | |
| 5 | 12523080/0 | 1 | Rosetta | Washer | Rondelle | Scheibe | |
| 6 | 12735698/0 | 1 | Vite | Screw | Vis | Schraube | |
| 7 | 12139100/0 | 1 | Linguetta, Albero Motore Ø 22.2 | Feather, Crankshaft Ø 22.2 | Clavette, Arbre Moteur Ø 22.2 | Keil, Motorwelle Ø 22.2 | (B&S/GGP) |
| 7 | 12139150/0 | 1 | Linguetta, Albero Motore Ø 25 | Feather, Crankshaft Ø 25 | Clavette, Arbre Moteur Ø 25 | Keil, Motorwelle Ø 25 | (Honda) |



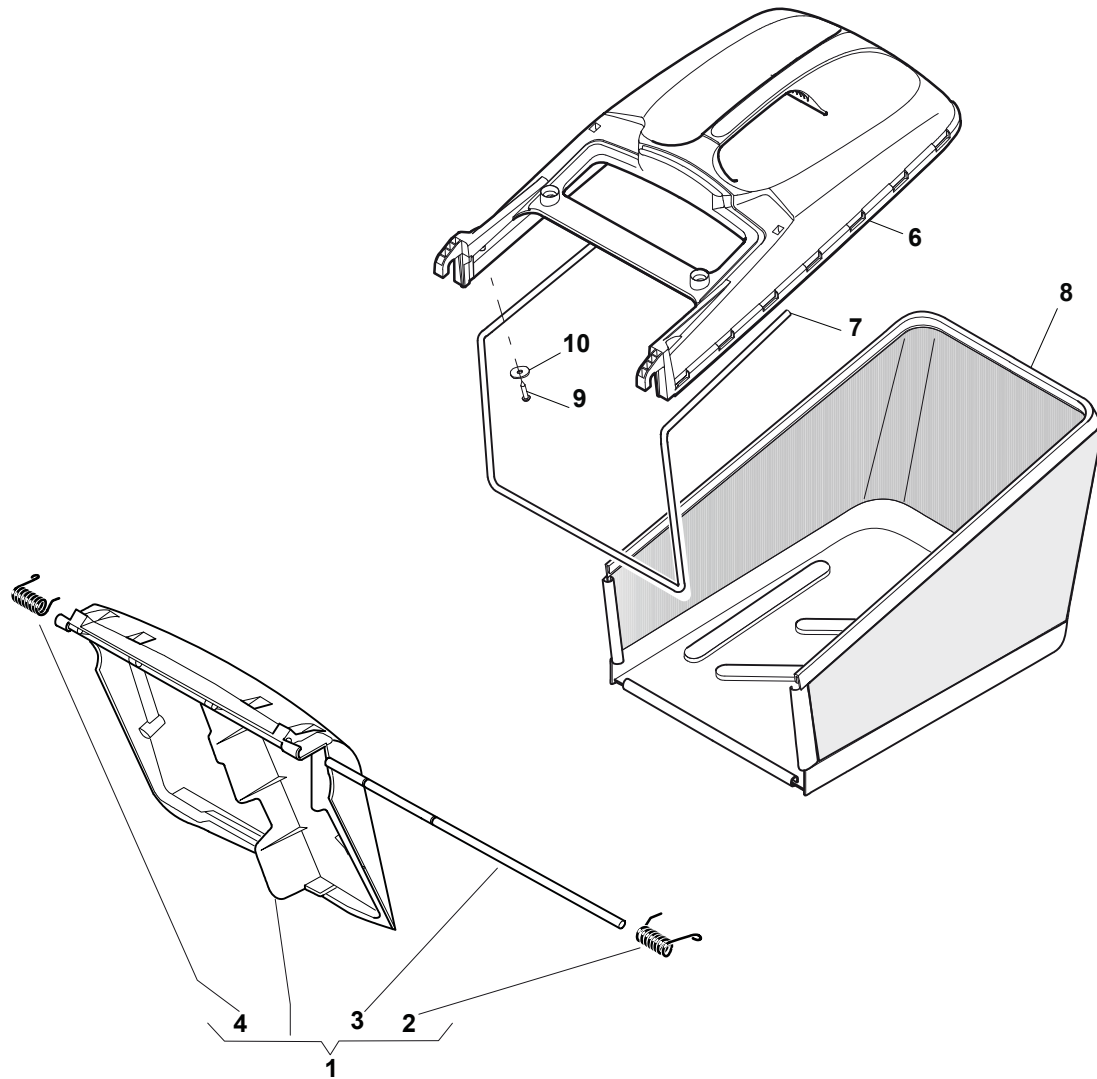
| N. | CODE | Q.TY | DESCRIZIONE | DESCRIPTION | DESCRIPTION | BESCHREIBUNG | REMARK |
|----|-------------|------|--------------------------------|---------------------------|-----------------------------|----------------------------|-----------|
| 1 | 322170963/0 | 1 | Protezione | Protection | Protection | Schutz | |
| 2 | 12691700/0 | 2 | Vite | Screw | Vis | Schraube | (B&S) |
| 2 | 12691700/0 | 3 | Vite | Screw | Vis | Schraube | (Honda) |
| 2 | 12692050/0 | 1 | Vite | Screw | Vis | Schraube | (B&S) |
| 3 | 12521350/0 | 3 | Rosetta | Washer | Rondelle | Scheibe | |
| 4 | 12154210/0 | 3 | Dado | Nut | Ecrou | Mutter | |
| 5 | 22170835/0 | 2 | Distanziale | Spacer | Entretoise | Distanzring | |
| 6 | 122170836/1 | 1 | Distanziale | Spacer | Entretoise | Distanzring | |
| 7 | 322551671/0 | 1 | Supporto | Support | Support | Halter | |
| 8 | 112791200/1 | 1 | Vite | Screw | Vis | Schraube | |
| 9 | 12154510/0 | 1 | Dado | Nut | Ecrou | Mutter | |
| 10 | 122446188/0 | 1 | Molla | Spring | Ressort | Feder | |
| 11 | 122601922/0 | 1 | Puleggia, Albero Motore Ø 22.2 | Pulley, Crankshaft Ø 22.2 | Poulie, Arbre Moteur Ø 22.2 | Scheibe, Motorwelle Ø 22.2 | (B&S/GGP) |
| 11 | 122601923/0 | 1 | Puleggia, Albero Motore Ø 25 | Pulley, Crankshaft Ø 25 | Poulie, Arbre Moteur Ø 25 | Scheibe, Motorwelle Ø 25 | (Honda) |
| 12 | 112791200/1 | 2 | Vite | Screw | Vis | Schraube | |
| 13 | 381545335/0 | 1 | Supporto | Support | Support | Halter | |
| 14 | 12154510/0 | 2 | Dado | Nut | Ecrou | Mutter | |
| 15 | 122534127/0 | 1 | Piolo | Pin | Bondon | Dübel | |
| 16 | 12540060/0 | 1 | Rondella | Washer | Rondelle | Scheibe | |
| 17 | 22671653/0 | 1 | Rosetta | Washer | Rondelle | Scheibe | |
| 18 | 118399051/0 | 1 | Ass. Frizione Meccanica | Mechanical Clutch | Embrayage Mecanique | Mechanische Kupplung | |
| 19 | 12735460/0 | 1 | Vite | Screw | Vis | Schraube | |
| 20 | 181004382/0 | 1 | Coltello Standard | Blade Standard | Lame Standard | Messer Standard | |
| 21 | 12540060/0 | 2 | Rondella | Washer | Rondelle | Scheibe | |
| 22 | 12794110/0 | 2 | Vite | Screw | Vis | Schraube | |



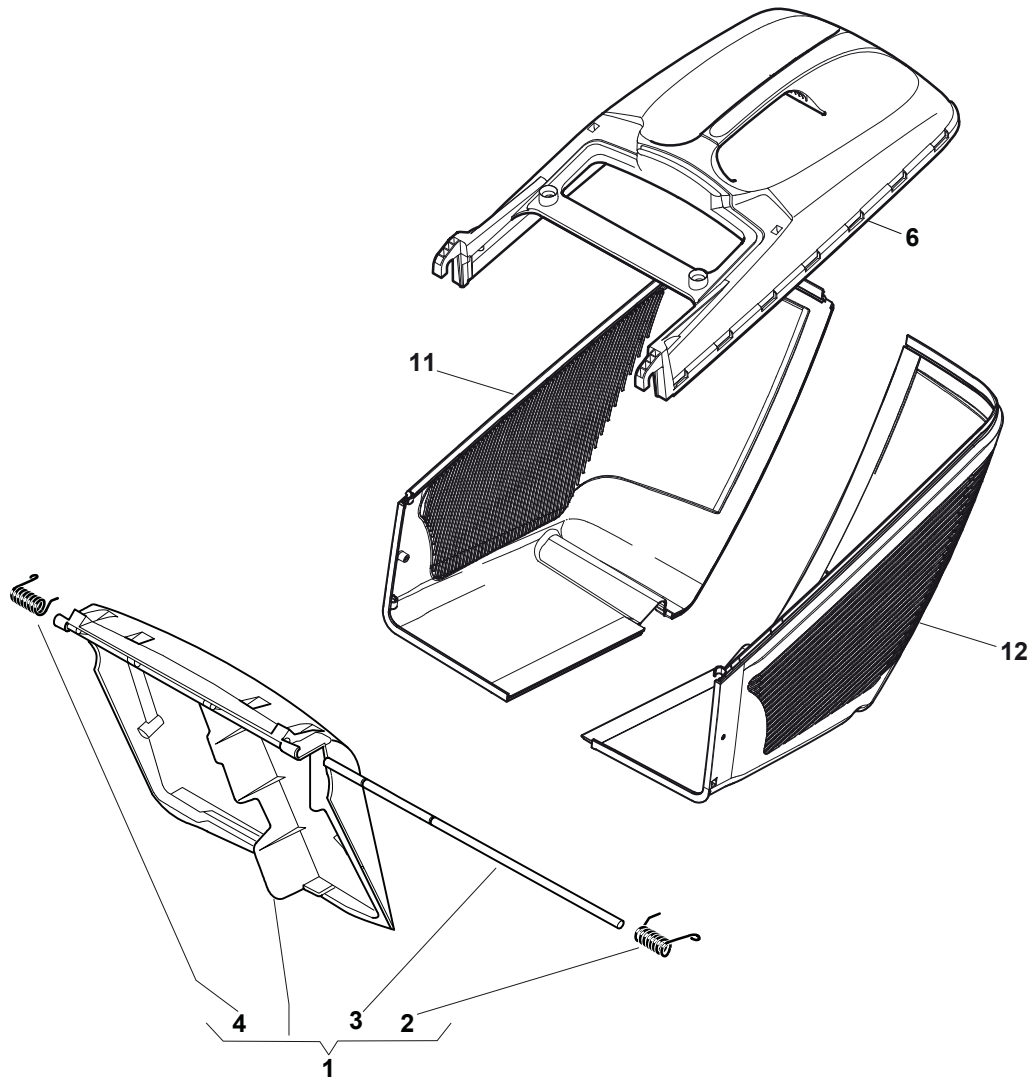
| N. | CODE | Q.TY | DESCRIZIONE | DESCRIPTION | DESCRIPTION | BESCHREIBUNG | REMARK |
|----|-------------|------|------------------|------------------|------------------------|----------------|--------|
| 1 | 381007308/2 | 1 | Parasassi | Stone-Guard | Pare-Pierres | Prallblech | |
| 2 | 122450466/0 | 1 | Molla Sx | L Spring | Ressort G | Linke Feder | |
| 3 | 122517882/0 | 1 | Perno | Pin | Pivot | Bolzen | |
| 4 | 122450465/0 | 1 | Molla Dx | R Spring | Ressort D | Rechte Feder | |
| 6 | 322486073/1 | 1 | Sacco, Parte Sup | Grass-Box, Upper | Sac, Partie Superieure | Korb, Oberteil | |
| 11 | 81002105/2 | 1 | Sacco, Tela | Box, Fabric | Sac, Toile | Sack, Tuck | |
| 12 | 81006418/0 | 1 | Telaio Sacco | Chassis Box | Châssis Bac | Rahmen Sack | |



| N. | CODE | Q.TY | DESCRIZIONE | DESCRIPTION | DESCRIPTION | BESCHREIBUNG | REMARK |
|----|-------------|------|------------------|------------------|------------------------|-----------------|--------|
| 1 | 381007308/2 | 1 | Parasassi | Stone-Guard | Pare-Pierres | Prallblech | |
| 2 | 122450466/0 | 1 | Molla Sx | L Spring | Ressort G | Linke Feder | |
| 3 | 122517882/0 | 1 | Perno | Pin | Pivot | Bolzen | |
| 4 | 122450465/0 | 1 | Molla Dx | R Spring | Ressort D | Rechte Feder | |
| 6 | 322486073/1 | 1 | Sacco, Parte Sup | Grass-Box, Upper | Sac, Partie Superieure | Korb, Oberteil | |
| 7 | 22486074/0 | 1 | Sacco, Parte Inf | Grass-Box, Lower | Sac, Partie Inferieure | Korb, Unterteil | |



| N. | CODE | Q.TY | DESCRIZIONE | DESCRIPTION | DESCRIPTION | BESCHREIBUNG | REMARK |
|----|-------------|------|------------------|------------------|-------------------|----------------|--------|
| 1 | 381008081/0 | 1 | Parasassi | Stone-Guard | Pare-Pierres | Prallblech | |
| 2 | 122450466/0 | 1 | Molla Sx | L Spring | Ressort G | Linke Feder | |
| 3 | 122517882/0 | 1 | Perno | Pin | Pivot | Bolzen | |
| 4 | 122450465/0 | 1 | Molla Dx | R Spring | Ressort D | Rechte Feder | |
| 6 | 22486101/0 | 1 | Sacco, Parte Sup | Grass-Box, Upper | Sac, Partie | Korb, Oberteil | |
| 7 | 22608525/0 | 1 | Rinforzo Inf | Stiffening Lower | Réinforcement Inf | Verstärkung | |
| 8 | 81002211/0 | 1 | Sacco, Tela | Box, Fabric | Sac, Toile | Sack, Tuck | |
| 9 | 12728680/0 | 2 | Vite | Screw | Vis | Schraube | |
| 10 | 12523050/0 | 2 | Rosetta | Washer | Rondelle | Scheibe | |



| N. | CODE | Q.TY | DESCRIZIONE | DESCRIPTION | DESCRIPTION | BESCHREIBUNG | REMARK |
|----|-------------|------|---------------------|--------------------|--------------------------|-------------------|--------|
| 1 | 381008081/1 | 1 | Parasassi | Stone-Guard | Pare-Pierres | Prallblech | |
| 2 | 122450466/0 | 1 | Molla Sx | L Spring | Ressort G | Linke Feder | |
| 3 | 122517882/0 | 1 | Perno | Pin | Pivot | Bolzen | |
| 4 | 122450465/0 | 1 | Molla Dx | R Spring | Ressort D | Rechte Feder | |
| 6 | 22486101/0 | 1 | Sacco, Parte Sup | Grass-Box, Upper | Sac, Partie | Korb, Oberteil | |
| 11 | 322486150/1 | 1 | Sacco, Parte Inf Dx | Grass-Box, R Lower | Sac, Partie Inferieure D | Korb, R Unterteil | |
| 12 | 322486151/1 | 1 | Sacco, Parte Inf Sx | Grass-Box, L Lower | Sac, Partie Inferieure G | Korb, L Unterteil | |