

Genuine Spare Parts

CA 534 W TR - CA 534 W TR/E

Catalogo delle parti di ricambio
Spare parts catalogue
Catalogue des pieces de rechange
Ersatzteilkatalog

2011

- Use GLOBAL GARDEN PRODUCT Genuine Spare Parts specified in the parts list for repair and/or replacement.
- The contents described in the parts list may change due to improvement.
- The drawings of the spare parts are only indicative and might not represent the part in question exactly.
- The indications "right" - "left" - "front" - "rear" refer to the position of the operator when using the machine.
- When placing orders of parts for repair and/or replacement, make sure that the illustrated parts list is the one applying to the machine's year of manufacture, as shown on the identification plate attached to the machine.

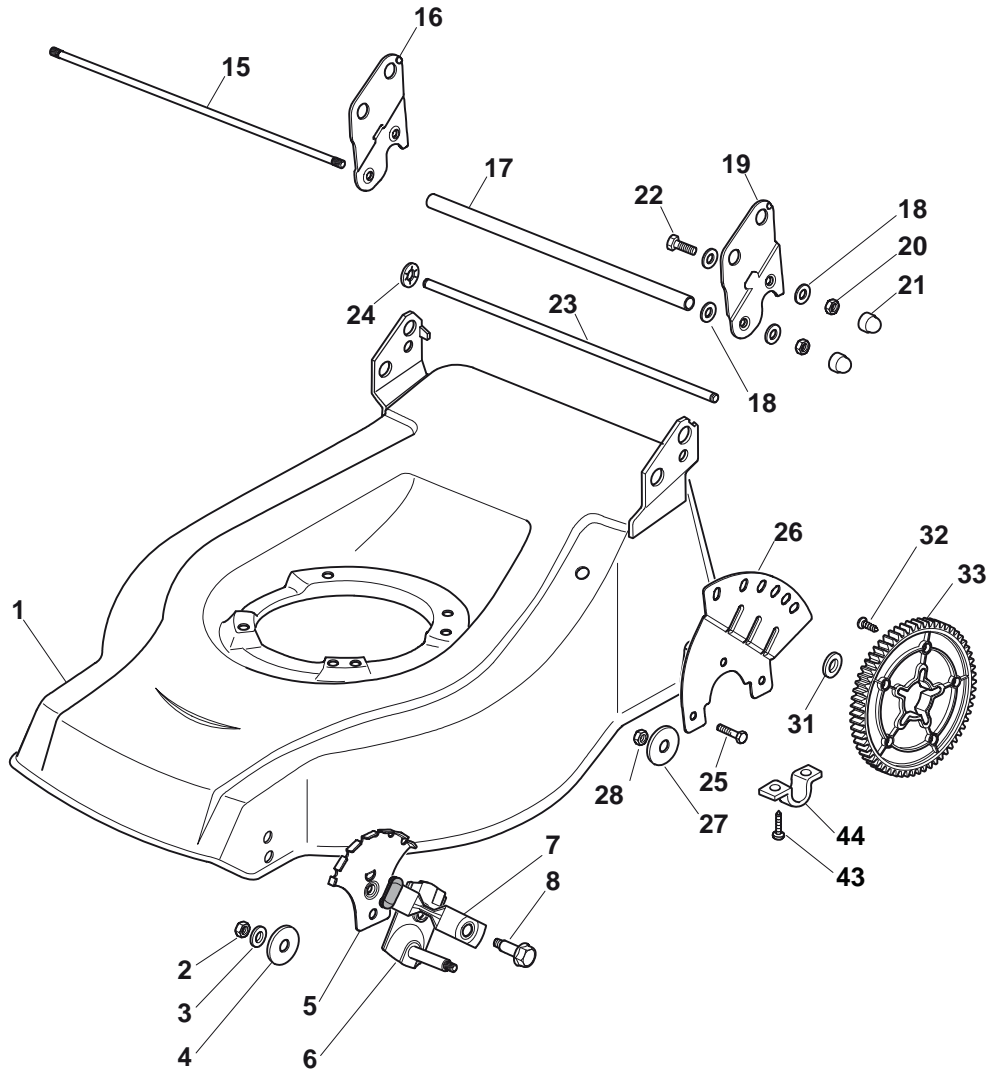
© Copyright 2011 Global Garden Products

All content is subject to copyright by Global Garden Products and may not be reproduced in whole or in part by any means, electronic or otherwise, without prior written approval.

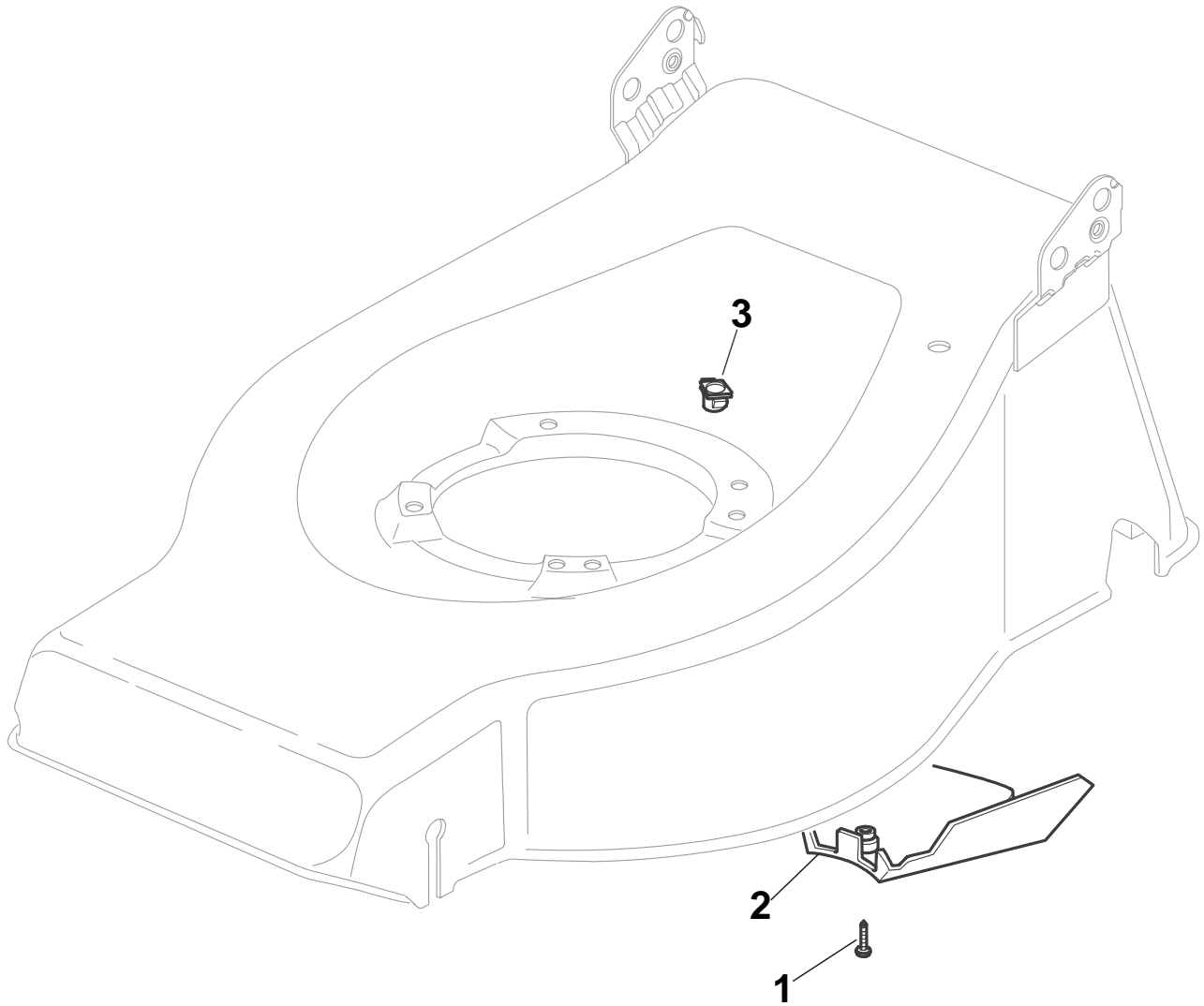
THIS INFORMATION IS NOT INTENDED FOR SALE OR RESALE, AND THIS NOTICE MUST REMAIN ON ALL COPIES.



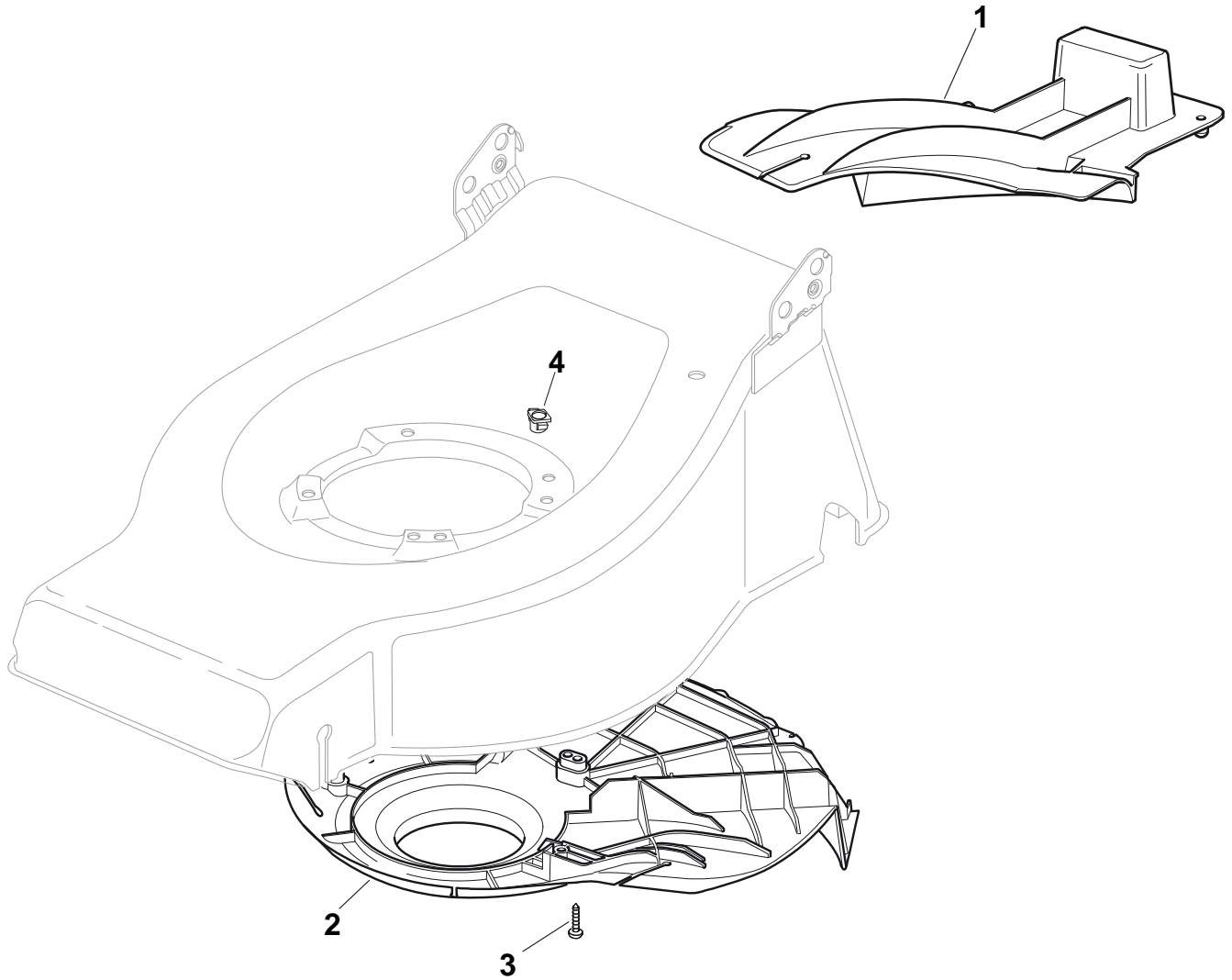
GLOBAL GARDEN PRODUCTS



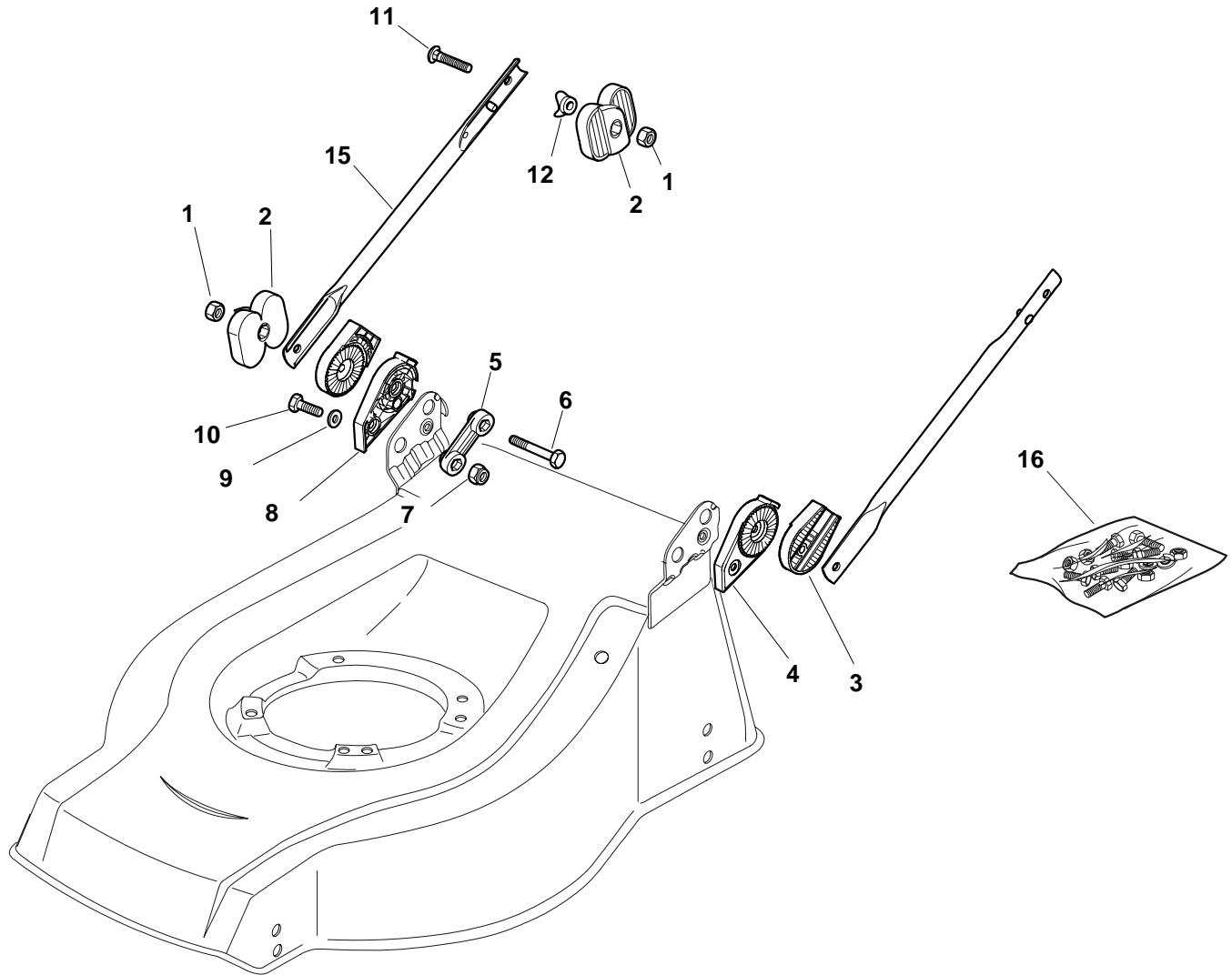
| N. | CODE | Q.TY | DESCRIZIONE | DESCRIPTION | DESCRIPTION | BESCHREIBUNG | REMARK |
|----|-------------|------|-----------------------------|---------------------------|---------------------------|-------------------------|--------|
| 1 | 81002350/0 | 1 | Chassis Rosso | Deck Red | Châssis Rouge | Gehäuse Rot | |
| 2 | 12293200/0 | 2 | Dado | Nut | Ecrou | Mutter | |
| 3 | 12583500/0 | 2 | Grower | Grower | Grower | Federring | |
| 4 | 12523070/0 | 2 | Rosetta | Washer | Rondelle | Scheibe | |
| 5 | 22735577/0 | 2 | Settore Regolazione Altezza | Sector, Height Adjustment | Secteur Reglage Hauteur | Sektor, Höheverstellung | |
| 6 | 81005084/0 | 2 | Supporto Ruota | Support, Wheel | Support Roue | Halter, Rad | |
| 7 | 81003286/0 | 2 | Leva Regolazione Altezza | Lever, Height Adjustment | Levier, Reglage Hauteur | Hebel, Höheverstellung | |
| 8 | 22519811/0 | 2 | Perno | Pin | Pivot | Bolzen | |
| 15 | 22517702/1 | 1 | Fulcro Parasassi | Stone Guard Fulcrum | Point D'Appui Parepierres | Drehpunkt Prallblech | |
| 16 | 22778427/0 | 1 | Staffa Dx | Bracket, R | Bride D | Pratze, Rechte | |
| 17 | 22869717/0 | 1 | Distanziale | Spacer | Entretoise | Distanzring | |
| 18 | 22671653/0 | 8 | Rosetta | Washer | Rondelle | Scheibe | |
| 19 | 22778429/0 | 1 | Staffa Sx | Bracket, L | Bride G | Pratze, Linke | |
| 20 | 12155000/0 | 4 | Dado | Nut | Ecrou | Mutter | |
| 21 | 18203854/0 | 4 | Cappuccio | Protection | Capuchon | Stecker | |
| 22 | 12793301/0 | 2 | Vite | Screw | Vis | Schraube | |
| 23 | 22517860/0 | 1 | Perno | Pin | Pivot | Bolzen | |
| 24 | 12604899/0 | 2 | Fissatore A Corona | Crown Fastener | Fixateur A Couronne | Kronescheibe | |
| 25 | 12792611/0 | 3 | Vite | Screw | Vis | Schraube | |
| 26 | 322735579/1 | 1 | Settore Regolazione Altezza | Sector, Height Adjustment | Secteur Reglage Hauteur | Sektor, Höheverstellung | |
| 27 | 12523060/0 | 3 | Rosetta | Washer | Rondelle | Scheibe | |
| 28 | 12155000/0 | 3 | Dado | Nut | Ecrou | Mutter | |
| 31 | 22675100/0 | 2 | Rosetta | Washer | Rondelle | Scheibe | |
| 32 | 12728691/0 | 6 | Vite | Screw | Vis | Schraube | |
| 33 | 22120110/0 | 2 | Ruota Dentata | Sprocket | Couronne | Zahnkettenrad | |
| 43 | 12731350/0 | 4 | Vite | Screw | Vis | Schraube | |
| 44 | 22545152/0 | 2 | Piastrina | Plate | Plaquette | Platte | |



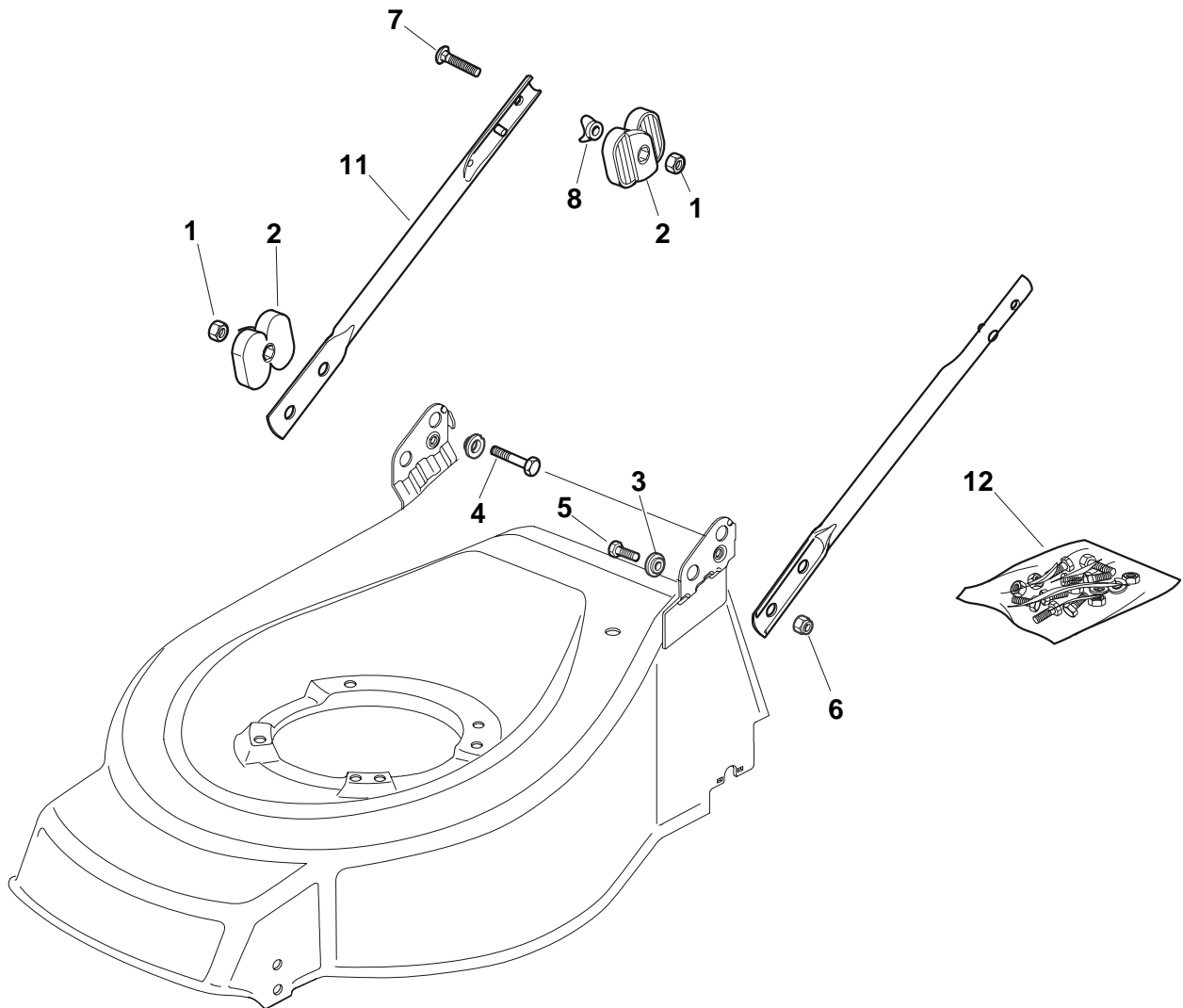
| N. | CODE | Q.TY | DESCRIZIONE | DESCRIPTION | DESCRIPTION | BESCHREIBUNG | REMARK |
|----|------------|------|------------------|------------------|-------------|----------------|--------|
| 1 | 12728530/0 | 1 | Vite | Screw | Vis | Schraube | |
| 2 | 22060196/0 | 1 | Carter Cinghia | Protection, Belt | Protection | Schutz, Riemen | |
| 3 | 22291150/0 | 1 | Inserto In Gomma | Rubber Insert | Insert De | Gummi Einsatz | |



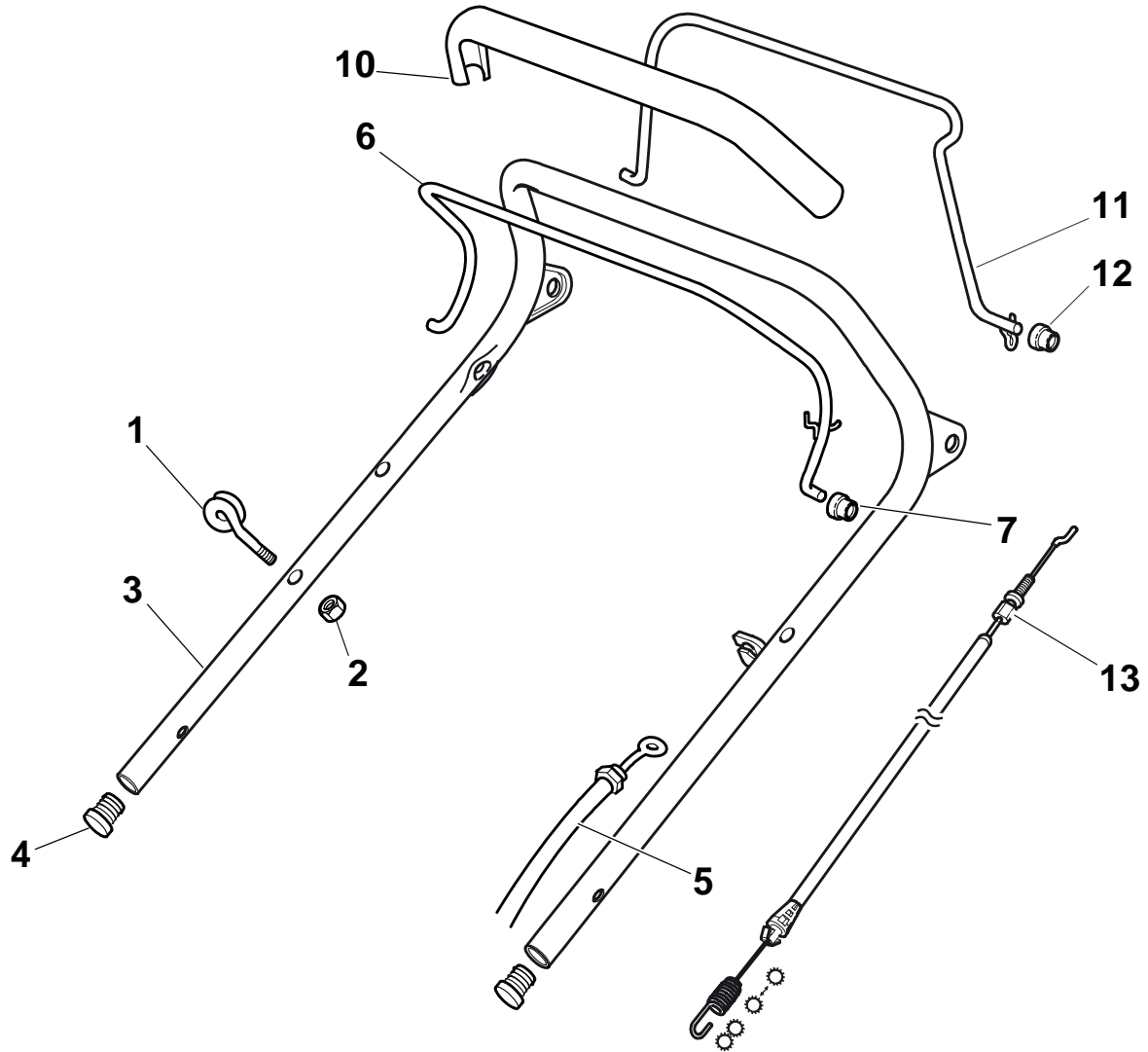
| N. | CODE | Q.TY | DESCRIZIONE | DESCRIPTION | DESCRIPTION | BESCHREIBUNG | REMARK |
|----|-------------|------|------------------|------------------|-------------|----------------|--------|
| 1 | 22140222/0 | 1 | Deflettore | Deflector | Deflecteur | Deflektor | |
| 2 | 322060197/2 | 1 | Carter Cinghia | Protection, Belt | Protection | Schutz, Riemen | |
| 3 | 12728530/0 | 3 | Vite | Screw | Vis | Schraube | |
| 4 | 22291150/0 | 1 | Inserto In Gomma | Rubber Insert | Insert De | Gummi Einsatz | |



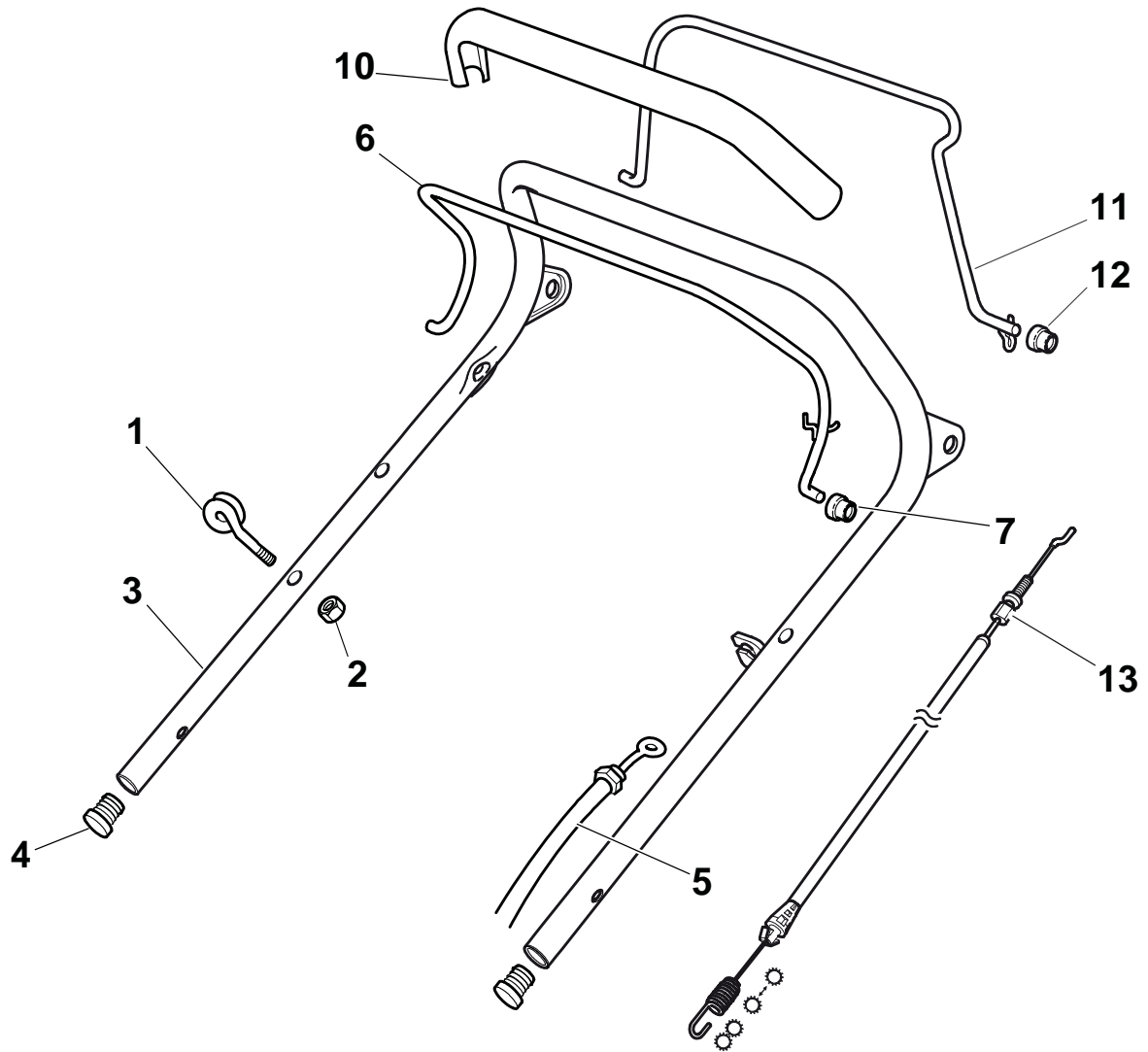
| N. | CODE | Q.TY | DESCRIZIONE | DESCRIPTION | DESCRIPTION | BESCHREIBUNG | REMARK |
|----|------------|------|-------------------|---------------------|------------------------------|------------------|--------|
| 1 | 12293202/0 | 4 | Dado | Nut | Ecrou | Mutter | |
| 2 | 22399803/0 | 4 | Manopolina | Knob | Poignée | Griff | |
| 3 | 22785081/1 | 2 | Supporto Esterno | Support, External | Support Externe | Halter, Außere | |
| 4 | 22785083/1 | 1 | Supporto Interno | Support, L Internal | Support Interne G | Halter, Innere L | |
| 5 | 22551575/0 | 2 | Piastrina Interna | Plate, Inside | Plaquette Interne | Platte, Innere | |
| 6 | 12691810/0 | 2 | Vite | Screw | Vis | Schraube | |
| 7 | 12155000/0 | 2 | Dado | Nut | Ecrou | Mutter | |
| 8 | 22785082/0 | 1 | Supporto Interno | Support, R Internal | Support Interne D | Halter, Innere R | |
| 9 | 12521350/0 | 2 | Rosetta | Washer | Rondelle | Scheibe | |
| 10 | 12793301/0 | 2 | Vite | Screw | Vis | Schraube | |
| 11 | 12819125/0 | 2 | Vite | Screw | Vis | Schraube | |
| 12 | 22680006/1 | 2 | Rosetta | Washer | Rondelle | Scheibe | |
| 15 | 81006531/0 | 2 | Manico, Parte Inf | Handle, Lower Part | Mancheron, Partie Inferieure | Holm, Unterteil | |
| 16 | 81008633/0 | 1 | Dotazione Viteria | Outfit, Screws | Dotation Visserie | Satz, Schrauben | |



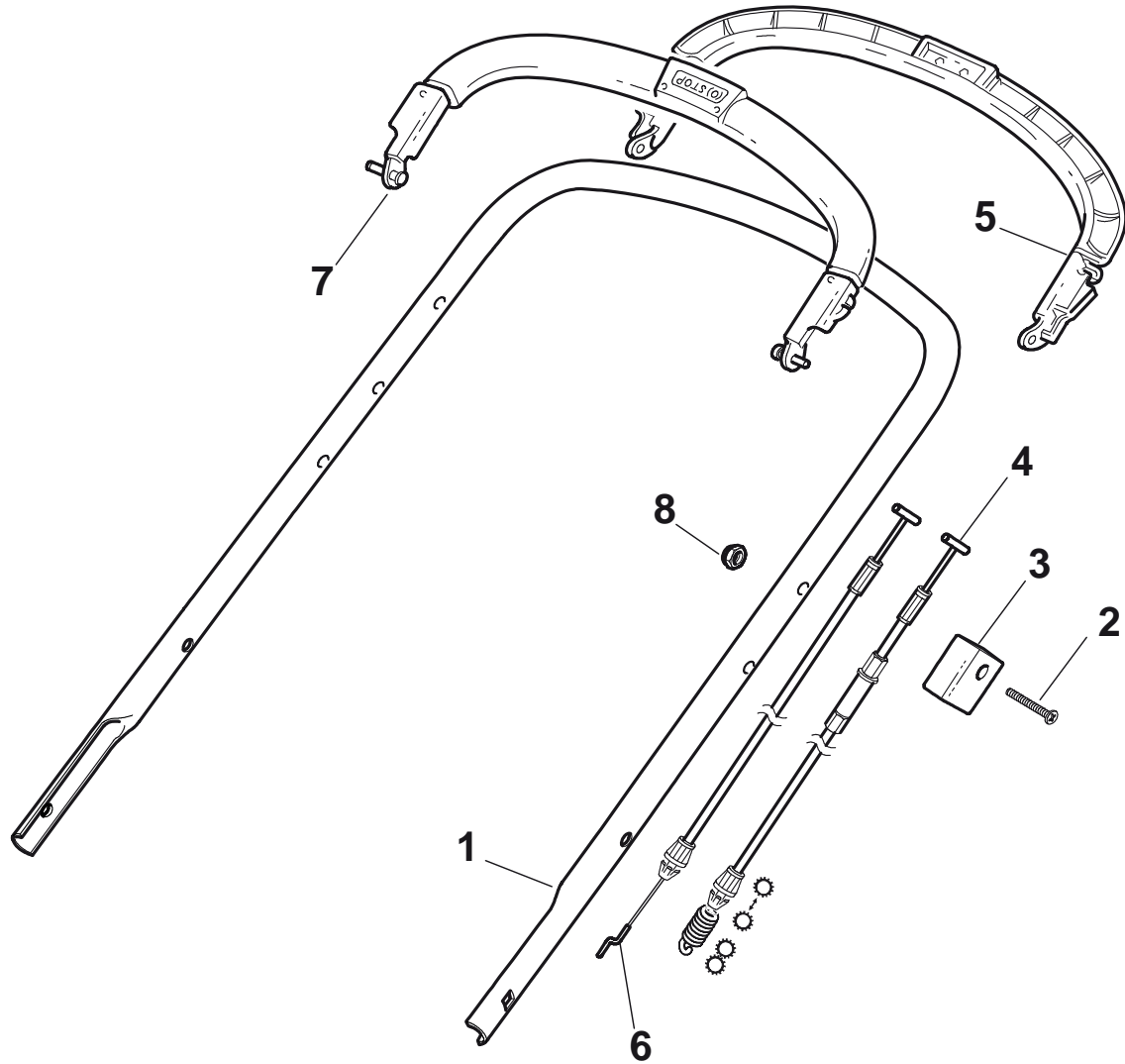
| N. | CODE | Q.TY | DESCRIZIONE | DESCRIPTION | DESCRIPTION | BESCHREIBUNG | REMARK |
|----|------------|------|-------------------|--------------------|------------------------------|-----------------|--------|
| 1 | 12293202/0 | 4 | Dado | Nut | Ecrou | Mutter | |
| 2 | 22399803/0 | 4 | Manopolina | Knob | Poignée | Griff | |
| 3 | 22041955/0 | 4 | Bussola | Bush | Douille | Buchse | |
| 4 | 12793700/0 | 2 | Vite | Screw | Vis | Schraube | |
| 5 | 12792610/0 | 2 | Vite | Screw | Vis | Schraube | |
| 6 | 12155000/0 | 2 | Dado | Nut | Ecrou | Mutter | |
| 7 | 12819125/0 | 2 | Vite | Screw | Vis | Schraube | |
| 8 | 22680006/1 | 2 | Rosetta | Washer | Rondelle | Scheibe | |
| 11 | 81006973/0 | 2 | Manico, Parte Inf | Handle, Lower Part | Mancheron, Partie Inferieure | Holm, Unterteil | |
| 12 | 81008633/0 | 1 | Dotazione Viteria | Outfit, Screws | Dotation Visserie | Satz, Schrauben | |



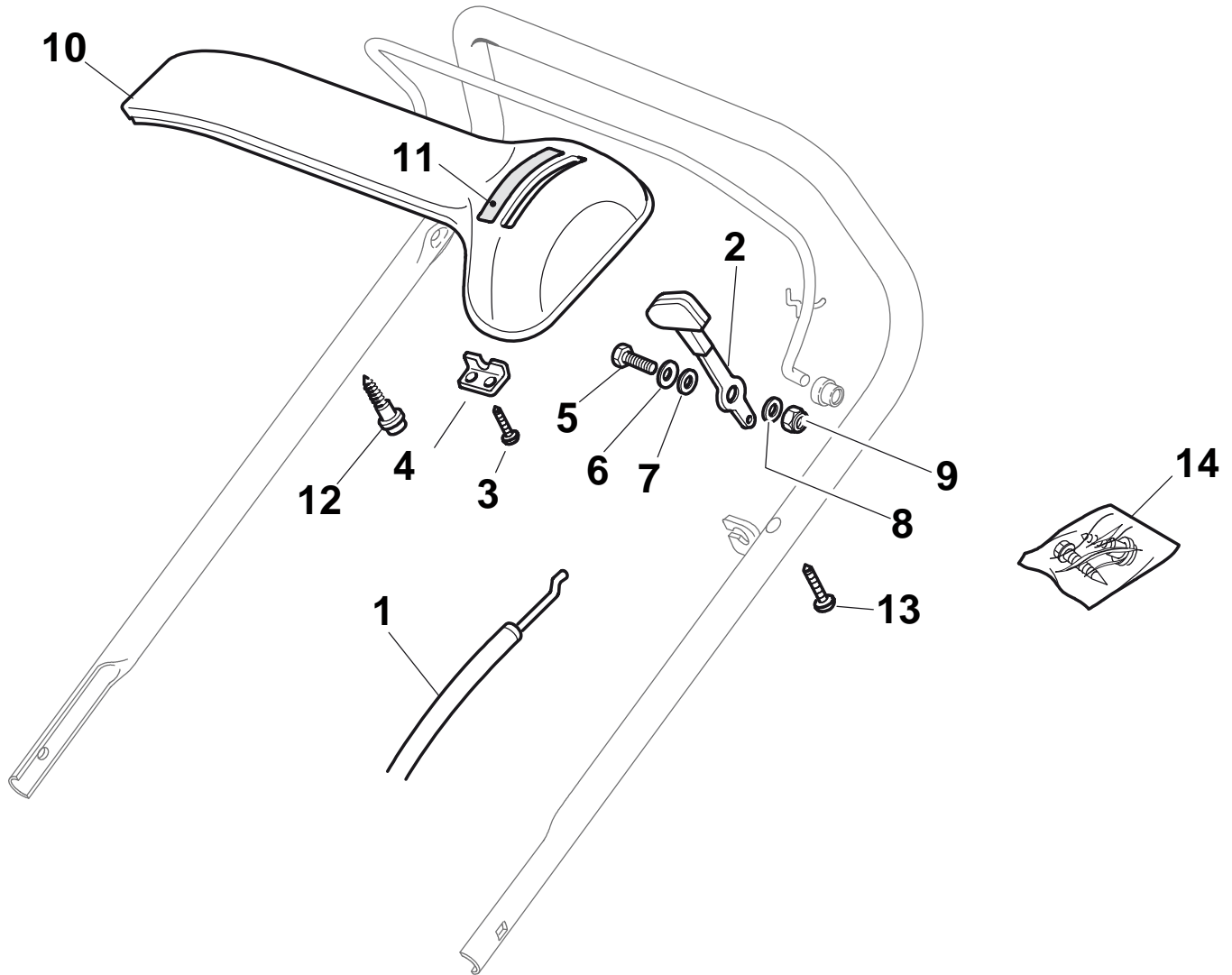
| N. | CODE | Q.TY | DESCRIZIONE | DESCRIPTION | DESCRIPTION | BESCHREIBUNG | REMARK |
|----|-------------|------|-------------------------|----------------------------|------------------------------|--------------------|-------------------------------|
| 1 | 22430309/0 | 1 | Molla Guida | Guide Spring | Ressort De Guide | Feder Führer | |
| 2 | 12154330/0 | 1 | Dado | Nut | Ecrou | Mutter | |
| 3 | 81006981/0 | 1 | Manico, Parte Sup | Handle, Upper Part | Mancheron, Partie Superieure | Holm, Oberteil | |
| 4 | 18566112/0 | 2 | Puntale | Cap | Bouchon | Gummistopfen | |
| 5 | 181000761/0 | 1 | Cavo Freno Motore | Cable, Thread Engine Brake | Cable Frein Moteur | Kabel, Motorbremse | 534 W TR (B&S 500 Series) |
| 5 | 181000761/0 | 1 | Cavo Freno Motore | Cable, Thread Engine Brake | Cable Frein Moteur | Kabel, Motorbremse | 534 W TR (B&S 625-675 Series) |
| 5 | 181030009/0 | 1 | Cavo Freno Motore | Cable, Thread Engine Brake | Cable Frein Moteur | Kabel, Motorbremse | 534 (B&S 700 Series DOV) |
| 5 | 181030009/0 | 1 | Cavo Freno Motore | Cable, Thread Engine Brake | Cable Frein Moteur | Kabel, Motorbremse | 534 W TR (B&S 700 Series DOV) |
| 5 | 81000611/0 | 1 | Cavo Freno Motore | Cable, Thread Engine Brake | Cable Frein Moteur | Kabel, Motorbremse | (GGP 150cc) |
| 5 | 81000616/1 | 1 | Cavo Freno Motore | Cable, Thread Engine Brake | Cable Frein Moteur | Kabel, Motorbremse | 534 W TR (Honda Gcv 135-160) |
| 5 | 81000622/2 | 1 | Cavo Freno Motore | Cable, Thread Engine Brake | Cable Frein Moteur | Kabel, Motorbremse | 534 W TR (Ggp 150cc) |
| 5 | 81000640/0 | 1 | Cavo Freno Motore | Cable, Thread Engine Brake | Cable Frein Moteur | Kabel, Motorbremse | 534 (Honda Gcv 135-160-190) |
| 5 | 81000643/0 | 1 | Cavo Freno Motore | Cable, Thread Engine Brake | Cable Frein Moteur | Kabel, Motorbremse | 534 (B&S 500 Series) |
| 5 | 81000756/0 | 1 | Cavo Freno Motore | Cable, Thread Engine Brake | Cable Frein Moteur | Kabel, Motorbremse | 534 W TR (Ggp 160cc) |
| 5 | 81000756/0 | 1 | Cavo Freno Motore | Cable, Thread Engine Brake | Cable Frein Moteur | Kabel, Motorbremse | 534 W TR (Ggp 140cc) |
| 5 | 81000756/0 | 1 | Cavo Freno Motore | Cable, Thread Engine Brake | Cable Frein Moteur | Kabel, Motorbremse | 534 (B&S 675 Series Es) |
| 5 | 81000756/0 | 1 | Cavo Freno Motore | Cable, Thread Engine Brake | Cable Frein Moteur | Kabel, Motorbremse | 534 (B&S 625-675 Series) |
| 5 | 81000756/0 | 1 | Cavo Freno Motore | Cable, Thread Engine Brake | Cable Frein Moteur | Kabel, Motorbremse | 534 (GGP 140cc) |
| 5 | 81000756/0 | 1 | Cavo Freno Motore | Cable, Thread Engine Brake | Cable Frein Moteur | Kabel, Motorbremse | 534 (GGP 160cc) |
| 5 | 81000756/0 | 1 | Cavo Freno Motore | Cable, Thread Engine Brake | Cable Frein Moteur | Kabel, Motorbremse | 534 (GGP 196cc) |
| 5 | 81000756/0 | 1 | Cavo Freno Motore | Cable, Thread Engine Brake | Cable Frein Moteur | Kabel, Motorbremse | 534 W TR (Ggp 196cc) |
| 6 | 81003291/3 | 1 | Leva Freno Motore | Lever, Engine Brake | Levier Frein Moteur | Hebel, Motorbremse | |
| 7 | 22041966/0 | 2 | Bussola | Bush | Douille | Buchse | |
| 10 | 22291050/0 | 1 | Impugnatura Manico Nera | Handgrip Black | Poignée Noire | Handgriff Schwarz | |
| 11 | 22041965/1 | 2 | Bussola | Bush | Douille | Buchse | |
| 12 | 81003288/1 | 1 | Leva Trazione | Lever, Driving | Levier Traction | Hebel, Antrieb | |
| 13 | 81000668/1 | 1 | Cavo Comando Trazione | Cable, Rear Drive | Câble, Commande Traction | Kabel, Antrieb | (General Transmission) |



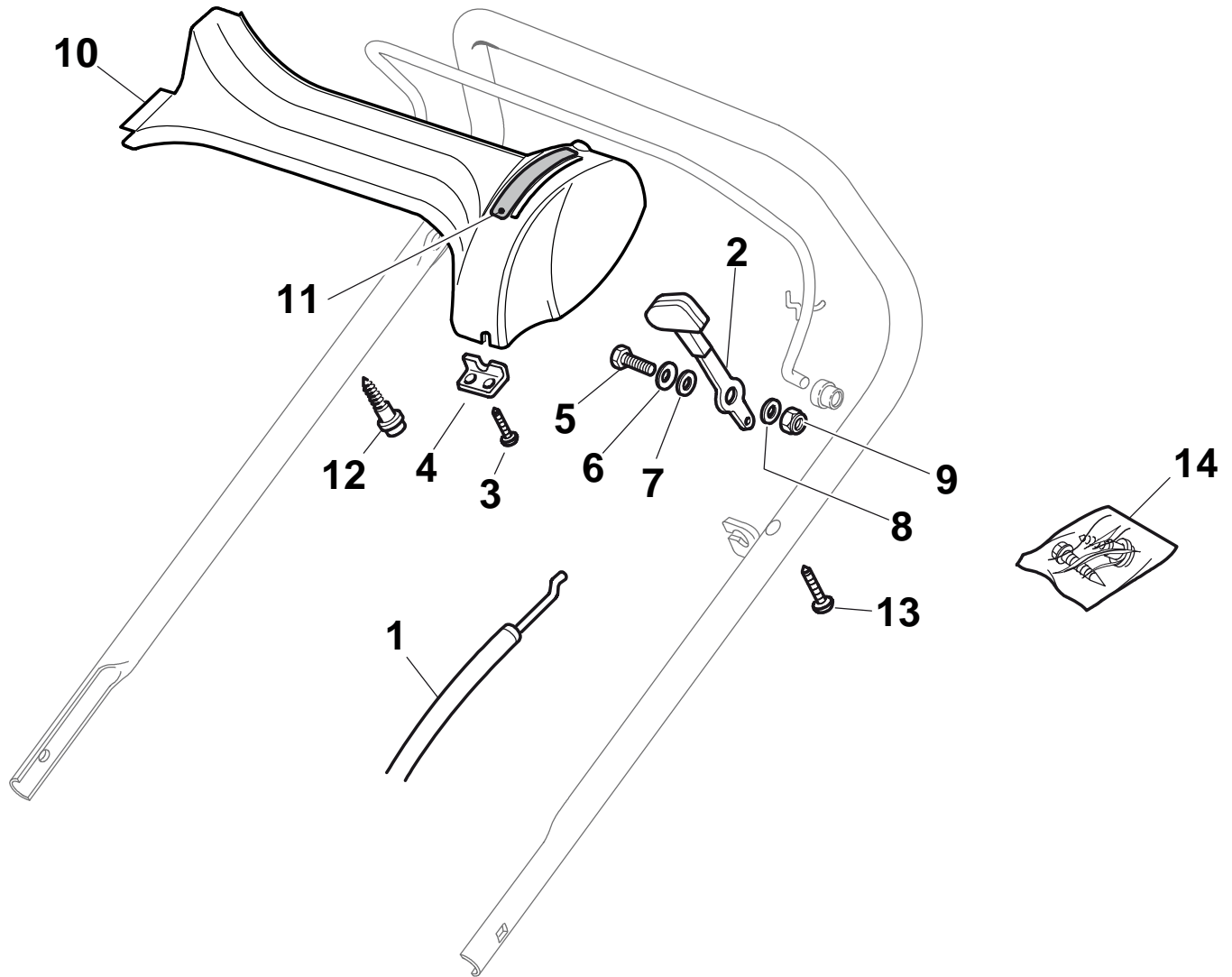
| N. CODE | Q.TY | DESCRIZIONE | DESCRIPTION | DESCRIPTION | BESCHREIBUNG | REMARK |
|---------------|------|-----------------------|-------------------|--------------------------|----------------|------------|
| 13 81000672/0 | 1 | Cavo Comando Trazione | Cable, Rear Drive | Câble, Commande Traction | Kabel, Antrieb | (Bi Ci Di) |



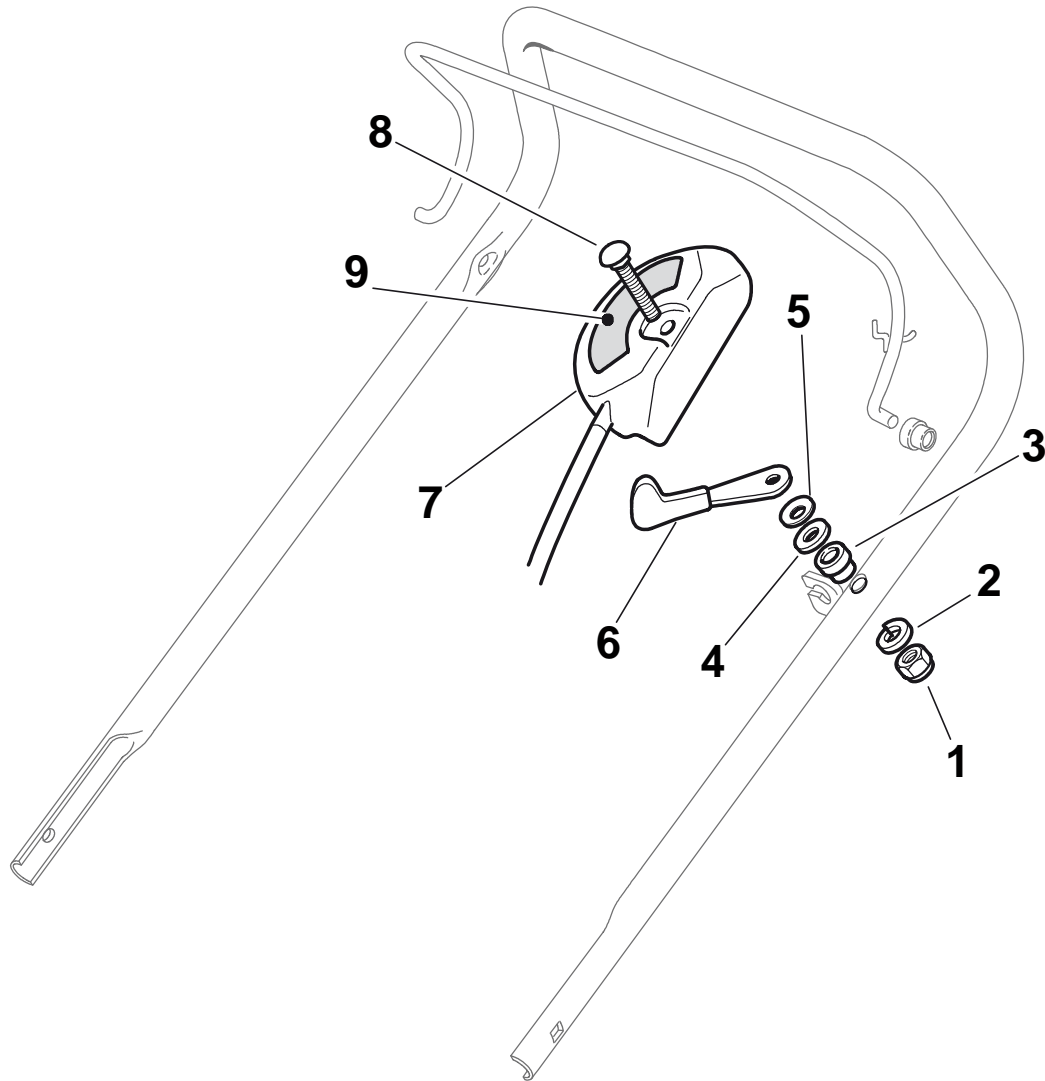
| N. | CODE | Q.TY | DESCRIZIONE | DESCRIPTION | DESCRIPTION | BESCHREIBUNG | REMARK |
|----|-------------|------|-----------------------|----------------------------|------------------------------|--------------------|----------------------------------|
| 1 | 81006979/2 | 1 | Manico, Parte Sup | Handle, Upper Part | Mancheron, Partie Superieure | Holm, Oberteil | |
| 2 | 12689500/0 | 1 | Vite | Screw | Vis | Schraube | |
| 3 | 22551640/0 | 1 | Piastrina | Plate | Plaquette | Plättchen | |
| 4 | 381000709/2 | 1 | Cavo Comando Trazione | Cable, Rear Drive | Câble, Comm. Traction | Kabel, Antrieb | |
| 5 | 81003297/1 | 1 | Leva Trazione | Driving Lever | Levier Traction | Antriebhebel | |
| 6 | 181030011/0 | 1 | Cavo Freno Motore | Cable, Thread Engine Brake | Cable Frein Moteur | Kabel, Motorbremse | 534 W TR (B&S 700 Series DOV) |
| 6 | 81000657/0 | 1 | Cavo Freno Motore | Cable, Thread Eng. Brake | Cable Frein Moteur | Kabel, Motorbremse | 534 W TR (B&S 500 Series) |
| 6 | 81000657/0 | 1 | Cavo Freno Motore | Cable, Thread Eng. Brake | Cable Frein Moteur | Kabel, Motorbremse | 534 W TR (GGP 196cc) |
| 6 | 81000657/0 | 1 | Cavo Freno Motore | Cable, Thread Eng. Brake | Cable Frein Moteur | Kabel, Motorbremse | 534 W TR (GGP 160cc) |
| 6 | 81000657/0 | 1 | Cavo Freno Motore | Cable, Thread Eng. Brake | Cable Frein Moteur | Kabel, Motorbremse | 534 W TR (GGP 140cc) |
| 6 | 81000743/0 | 1 | Cavo Freno Motore | Cable, Thread Eng. Brake | Cable Frein Moteur | Kabel, Motorbremse | 534 W TR (GGP 150cc) |
| 6 | 81000754/0 | 1 | Cavo Freno Motore | Cable, Thread Engine Brake | Cable Frein Moteur | Kabel, Motorbremse | 534 W TR (Honda Gcv 135-160-190) |
| 6 | 81000754/0 | 1 | Cavo Freno Motore | Cable, Thread Engine Brake | Cable Frein Moteur | Kabel, Motorbremse | 534 W TR (B&S 625-675 Series) |
| 7 | 81003298/1 | 1 | Leva Freno Motore | Lever, Engine Brake | Levier Frein Moteur | Hebel, Motorbremse | |
| 8 | 12154510/0 | 1 | Dado | Nut | Ecrou | Mutter | |



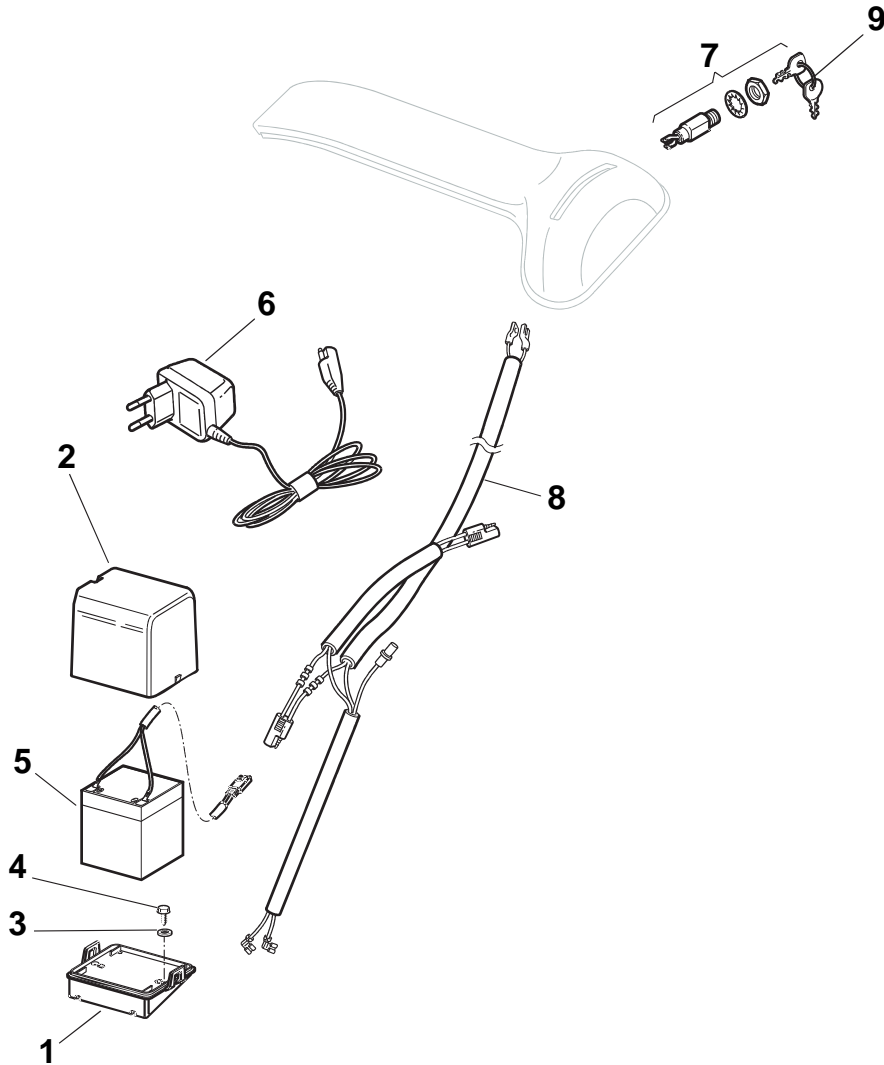
| N. | CODE | Q.TY | DESCRIZIONE | DESCRIPTION | DESCRIPTION | BESCHREIBUNG | REMARK |
|----|-------------|------|-----------------------------|---------------------------|---------------------------|-------------------------|---|
| 1 | 81007160/0 | 1 | Cavo Acceleratore | Throttle Cable | Cable, Accelérateur | Gashebel Kabel | |
| 2 | 81007221/0 | 1 | Leva, Acceleratore | Lever, Throttle | Levier, | Hebel, Beschleuniger | (B&S 450-500 Series - GGP 150 cc) |
| 2 | 81007280/2 | 1 | Leva, Acceleratore | Lever, Throttle | Levier, | Hebel, Beschleuniger | (B&S 625-675-700 Series - Honda - GGP 140-160-196 cc) |
| 3 | 12735105/0 | 2 | Vite | Screw | Vis | Schraube | |
| 4 | 22981467/0 | 1 | Piastrina | Plate | Plaquette | Platte | |
| 5 | 12791500/0 | 1 | Vite | Screw | Vis | Schraube | |
| 6 | 12530060/0 | 1 | Rosetta Elastica | Elastic Washer | Rondelle Elastique | Elastische Scheibe | |
| 7 | 12523040/0 | 1 | Rosetta | Washer | Rondelle | Scheibe | |
| 8 | 12523040/0 | 1 | Rosetta | Washer | Rondelle | Scheibe | |
| 9 | 12154510/0 | 1 | Dado | Nut | Ecrou | Mutter | |
| 10 | 22120152/0 | 1 | Cruscotto Giallo | Dash Board Yellow | Console Jaune | Konsole Gelbe | |
| 10 | 22120154/0 | 1 | Cruscotto Rosso | Dash Board Red | Console Rouge | Konsole Rote | |
| 10 | 22120158/0 | 1 | Cruscotto Nero | Dash Board Black | Console Noire | Konsole Schwarze | |
| 11 | 114356743/1 | 1 | Etichetta | Label | Etiquette | Etikette | (Honda) |
| 11 | 114356743/1 | 1 | Etichetta | Label | Etiquette | Etikette | (GGP) |
| 11 | 114356744/1 | 1 | Etichetta | Label | Etiquette | Etikette | (B&S) |
| 11 | 114356906/1 | 1 | Etichetta | Label | Etiquette | Etikette | (B&S 700 series DOV) |
| 11 | 114357646/1 | 1 | Etichetta | Label | Etiquette | Etikette | (Honda GCV 160-190 Autochoke) |
| 12 | 22943006/0 | 1 | Vite | Screw | Vis | Schraube | |
| 13 | 12728460/0 | 1 | Vite | Screw | Vis | Schraube | |
| 14 | 81008609/0 | 1 | Dotazione Viteria Cruscotto | Outfit, Dash-Board Screws | Dotation Visserie Console | Satz, Konsole Schrauben | |



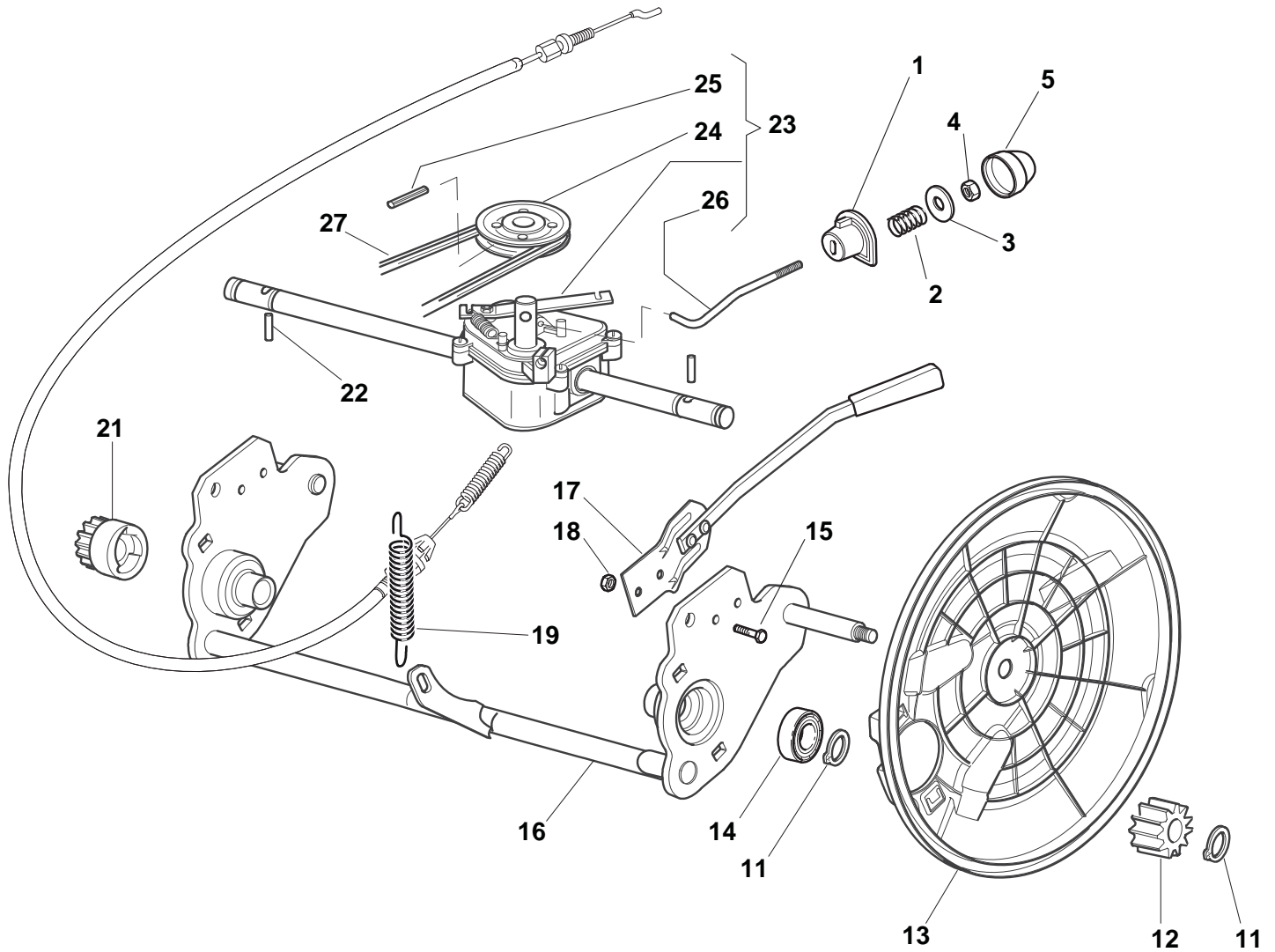
| N. | CODE | Q.TY | DESCRIZIONE | DESCRIPTION | DESCRIPTION | BESCHREIBUNG | REMARK |
|----|-------------|------|-----------------------------|---------------------------|----------------------------|-------------------------|---|
| 1 | 81007160/0 | 1 | Cavo Acceleratore | Throttle Cable | Cable, Accelérateur | Gashebel Kabel | |
| 2 | 81007221/0 | 1 | Leva, Acceleratore | Lever, Throttle | Levier, | Hebel, Beshleuniger | (B&S 450-500 Series - GGP 150 cc) |
| 2 | 81007280/2 | 1 | Leva, Acceleratore | Lever, Throttle | Levier, | Hebel, Beshleuniger | (B&S 625-675-700 Series - Honda - GGP 140-160-196 cc) |
| 3 | 12735105/0 | 2 | Vite | Screw | Vis | Schraube | |
| 4 | 22981467/0 | 1 | Piastrina | Plate | Plaquette | Platte | |
| 5 | 12791500/0 | 1 | Vite | Screw | Vis | Schraube | |
| 6 | 12530060/0 | 1 | Rosetta Elastica | Elastic Washer | Rondelle Elastique | Elastische Scheibe | |
| 7 | 12523040/0 | 1 | Rosetta | Washer | Rondelle | Scheibe | |
| 8 | 12523040/0 | 1 | Rosetta | Washer | Rondelle | Scheibe | |
| 9 | 12154510/0 | 1 | Dado | Nut | Ecrou | Mutter | |
| 10 | 22120172/0 | 1 | Cruscotto Nero | Dash Board Black | Console Noire | Konsole Schwarze | |
| 10 | 22120173/0 | 1 | Cruscotto Rosso | Dash Board Red | Console Rouge | Konsole Rote | |
| 10 | 22120174/0 | 1 | Cruscotto Giallo | Dash Board Yellow | Console Jaune | Konsole Gelbe | |
| 11 | 114356743/1 | 1 | Etichetta | Label | Etiquette | Etikette | (Honda) |
| 11 | 114356743/1 | 1 | Etichetta | Label | Etiquette | Etikette | (GGP) |
| 11 | 114356744/1 | 1 | Etichetta | Label | Etiquette | Etikette | (B&S) |
| 11 | 114356906/1 | 1 | Etichetta | Label | Etiquette | Etikette | (B&S 700 series DOV) |
| 11 | 114357646/1 | 1 | Etichetta | Label | Etiquette | Etikette | (Honda GCV 160-190 Autochoke) |
| 12 | 22943006/0 | 1 | Vite | Screw | Vis | Schraube | |
| 13 | 12728460/0 | 1 | Vite | Screw | Vis | Schraube | |
| 14 | 81008609/0 | 1 | Dotazione Viteria Cruscotto | Outfit, Dash-Board Screws | Dotation Visserie Consolle | Satz, Konsole Schrauben | |



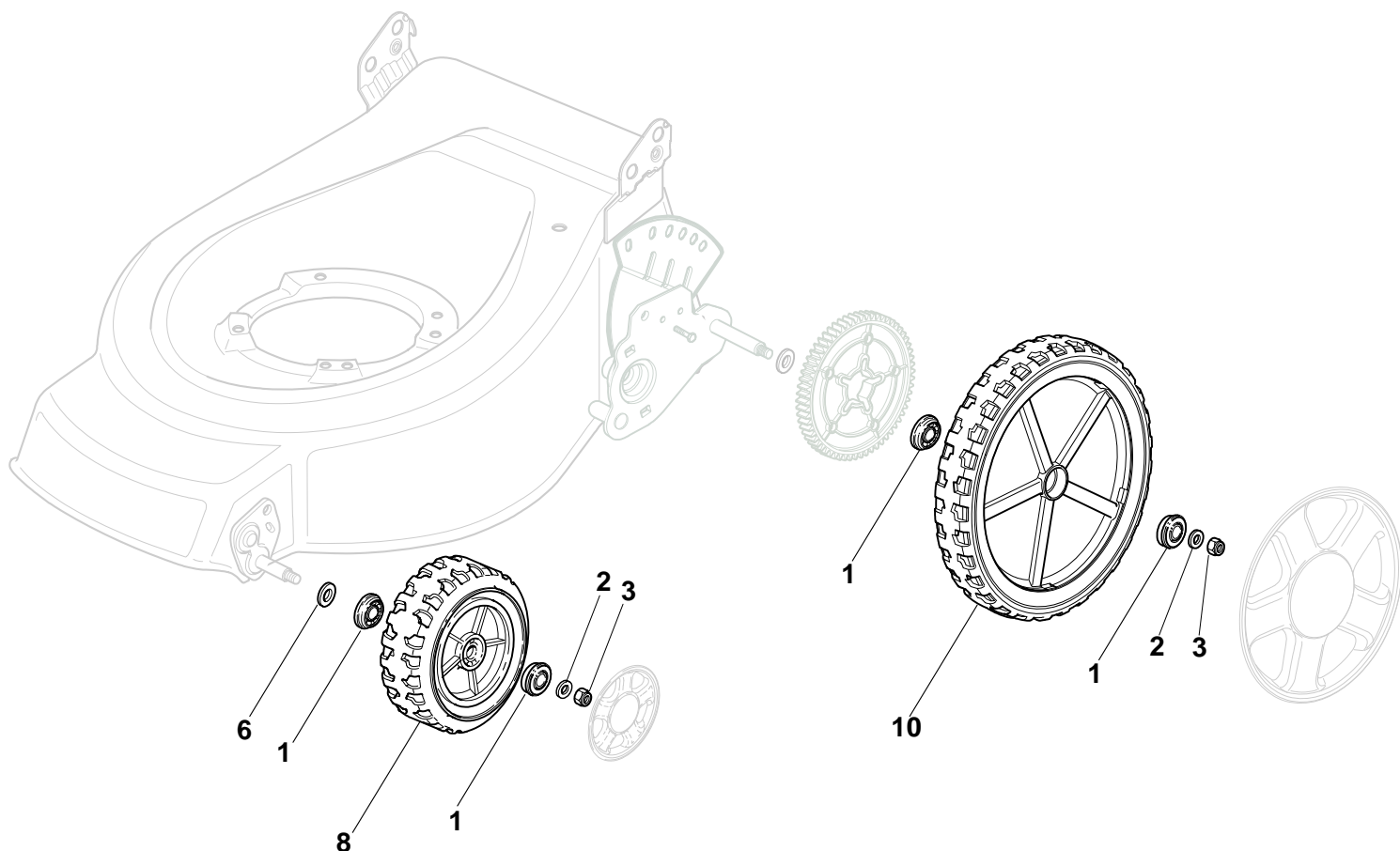
| N. | CODE | Q.TY | DESCRIZIONE | DESCRIPTION | DESCRIPTION | BESCHREIBUNG | REMARK |
|----|-------------|------|--------------------|-----------------|----------------------|---------------------|---|
| 1 | 12291000/0 | 1 | Dado | Nut | Ecrou | Mutter | |
| 2 | 12581500/0 | 1 | Grower | Grower | Grower | Federring | |
| 3 | 22171005/0 | 1 | Distanziale | Spacer | Entretoise | Distanzring | |
| 4 | 12521360/0 | 1 | Rosetta | Washer | Rondelle | Scheibe | |
| 5 | 12508100/0 | 1 | Rosetta Elastica | Spring Washer | Rondelle Elastique | Elastische Scheibe | |
| 6 | 81007220/0 | 1 | Leva, Acceleratore | Lever, Throttle | Levier, Accelérateur | Hebel, Beshleuniger | (B&S 450-500 Series - GGP 150 cc) |
| 6 | 81007279/1 | 1 | Leva, Acceleratore | Lever, Throttle | Levier, Accelérateur | Hebel, Beshleuniger | (B&S 625-675-700 Series - Honda - GGP 140-160-196 cc) |
| 7 | 81007080/0 | 1 | Cavo Acceleratore | Throttle Cable | Cable, Accelérateur | Gashebel Kabel | |
| 8 | 12815000/0 | 1 | Vite | Screw | Vis | Schraube | |
| 9 | 114356905/0 | 1 | Etichetta | Label | Etiquette | Etikette | (B&S 700 series DOV) |
| 9 | 114356905/0 | 1 | Etichetta | Label | Etiquette | Etikette | (Honda GCV 160-190 Autochoke) |
| 9 | 114364264/0 | 1 | Etichetta | Label | Etiquette | Etikette | AVS (GGP 160-196) |
| 9 | 14356702/0 | 1 | Etichetta | Label | Etiquette | Etikette | (Honda) |
| 9 | 14356702/0 | 1 | Etichetta | Label | Etiquette | Etikette | (GGP) |
| 9 | 14356703/0 | 1 | Etichetta | Label | Etiquette | Etikette | (B&S) |



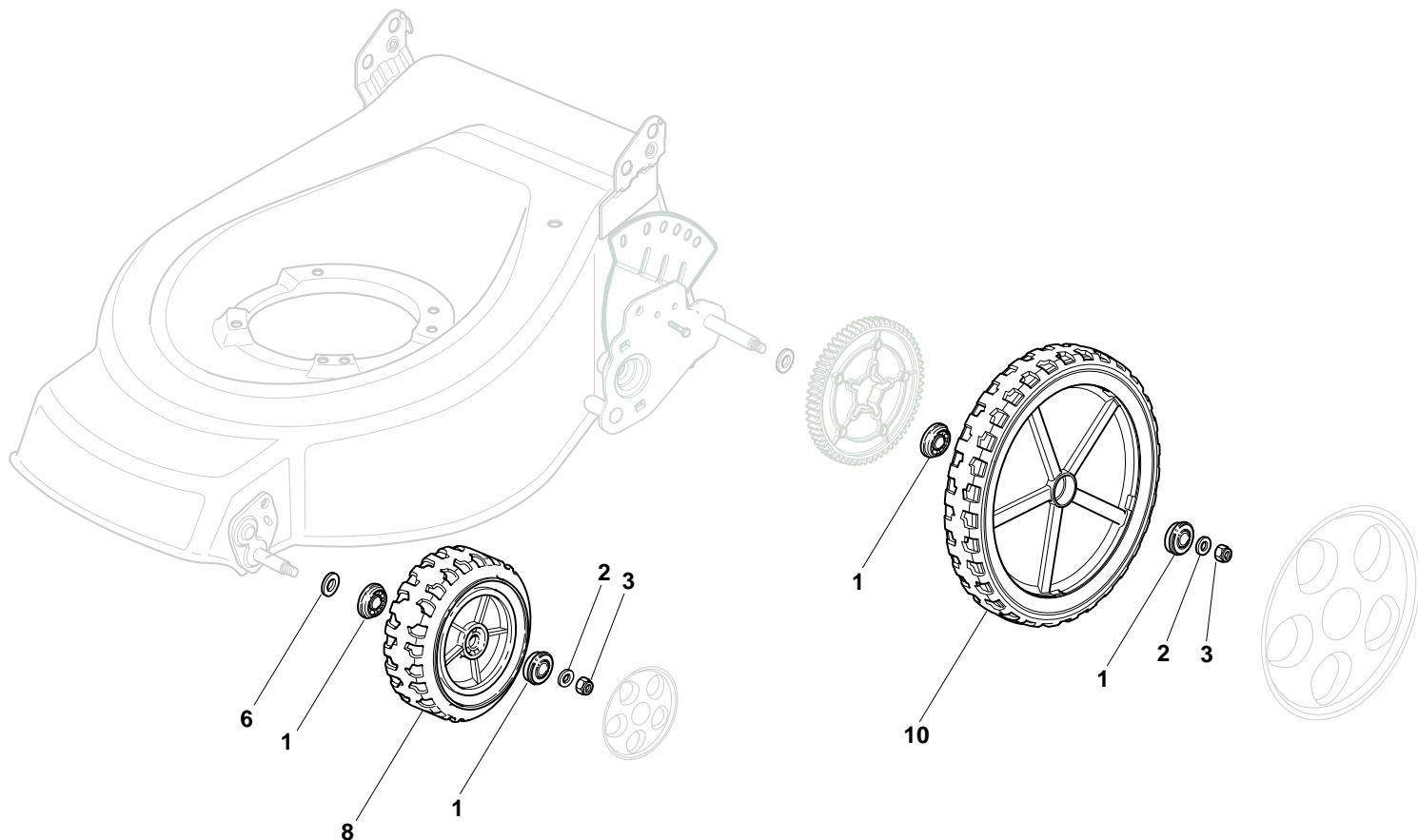
| N. | CODE | Q.TY | DESCRIZIONE | DESCRIPTION | DESCRIPTION | BESCHREIBUNG | REMARK |
|----|-------------|------|-------------------|------------------|------------------|---------------------|-------------|
| 1 | 22785123/0 | 1 | Supporto Batteria | Support, Battery | Support Batterie | Halter, Batterie | |
| 2 | 22109530/0 | 1 | Coperchio | Cover | Couvercle | Deckel | |
| 3 | 12521310/0 | 2 | Rondella | Washer | Rondelle | Scheibe | |
| 4 | 12731590/0 | 2 | Vite | Screw | Vis | Schraube | |
| 5 | 18120052/0 | 1 | Batteria | Battery | Batterie | Batterie | |
| 6 | 18204120/0 | 1 | Carica Batteria | Battery Charger | Chargeur De | Ladgerät | (CE) |
| 6 | 18204121/0 | 1 | Carica Batteria | Battery Charger | Chargeur De | Ladgerät | (UK) |
| 7 | 18450050/0 | 1 | Interruttore | Switch | Interrupteur | Schalter | |
| 8 | 118204192/3 | 1 | Cavo Avviamento | Cable, Start | Cable Démarrage | Kabel, Start | (B&S - GGP) |
| 8 | 18204198/0 | 1 | Cavo Avviamento | Cable, Start | Cable Démarrage | Kabel, Start | (Honda) |
| 9 | 18210016/1 | 1 | Chiave Avviamento | Starting Key | Clef A Demarrage | Schlüssel Für Start | |



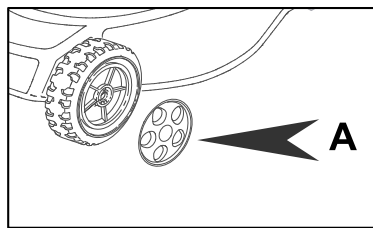
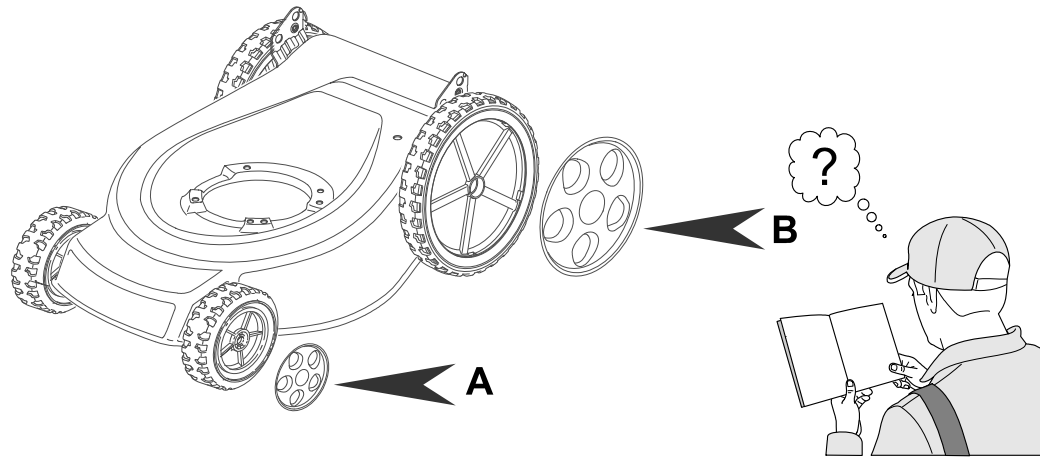
| N. | CODE | Q.TY | DESCRIZIONE | DESCRIPTION | DESCRIPTION | BESCHREIBUNG | REMARK |
|----|-------------|------|--------------------------|--------------------------|------------------------|-------------------------|------------------------|
| 1 | 22041957/1 | 1 | Bussola | Bush | Douille | Buchse | |
| 2 | 22450063/0 | 1 | Molla | Spring | Ressort | Feder | |
| 3 | 22680009/0 | 1 | Rosetta | Washer | Rondelle | Scheibe | |
| 4 | 12154510/0 | 1 | Dado | Nut | Ecrou | Mutter | |
| 5 | 22110230/0 | 1 | Tappo | Cap | Bouchon | Gummistopfen | |
| 11 | 12608600/0 | 4 | Seeger | Seeger | Seeger | Seeger | |
| 12 | 22570110/1 | 1 | Pignone Dx | Pinion R | Pignon D | Ritzel Rechtes | |
| 13 | 22600160/0 | 2 | Prot. Ruote | Protection, Wheel | Protection Roue | Schütz, Räder | |
| 14 | 19216035/0 | 2 | Cuscinetto | Bearing | Coussinet | Lager | |
| 15 | 12789000/0 | 2 | Vite | Screw | Vis | Schraube | |
| 16 | 381002853/2 | 1 | Asse Ruote Posteriori | Axle, Rear Wheels | Axe Roues Arriere | Achse, Hinterrad | |
| 17 | 381003326/0 | 1 | Leva Regolazione Altezza | Lever, Height Adjustment | Levier Reglage Hauteur | Hebel, Höhenverstellung | |
| 18 | 12154330/0 | 2 | Dado | Nut | Ecrou | Mutter | |
| 19 | 122450454/0 | 1 | Molla | Spring | Ressort | Feder | |
| 21 | 22570120/1 | 1 | Pignone Sx | Pinion L | Pignon G | Ritzel Linkes | |
| 22 | 22753000/0 | 2 | Spina | Pin | Goupille | Stift | |
| 23 | 81003092/0 | 1 | Gruppo Trazione | Gear Box | Groupe Traction | Antrieb | (General Transmission) |
| 24 | 22601904/0 | 1 | Puleggia | Pulley | Poulie | Riemenscheibe | |
| 25 | 12645705/0 | 1 | Spina | Pin | Goupille | Stift | |
| 26 | 22033283/0 | 1 | Asta Regolazione | Adjustment Rod | Tige Reglage | Verstellungstange | (General Transmission) |
| 27 | 35063902/0 | 1 | Cinghia Z 29.5 | Belt Z 29.5 | Courroie Z 29.5 | Riemen Z 29.5 | |



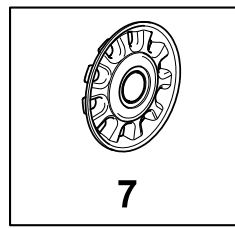
| N. | CODE | Q.TY | DESCRIZIONE | DESCRIPTION | DESCRIPTION | BESCHREIBUNG | REMARK |
|----|------------|------|------------------|----------------|--------------------|--------------------|--------|
| 1 | 22122200/0 | 8 | Cuscinetto | Bearing | Coussinet | Lager | |
| 2 | 12521350/0 | 4 | Rosetta | Washer | Rondelle | Scheibe | |
| 3 | 12155000/0 | 2 | Dado | Nut | Ecrou | Mutter | |
| 6 | 12530150/0 | 2 | Rosetta Elastica | Elastic Washer | Rondelle Elastique | Elastische Scheibe | |
| 8 | 81007343/0 | 2 | Ruota Ø 210 | Wheel Ø 210 | Roue Ø 210 | Rad. Ø 210 | |
| 10 | 81007380/0 | 2 | Ruota Ø 300 | Wheel Ø 300 | Roue Ø 300 | Rad Ø 300 | |



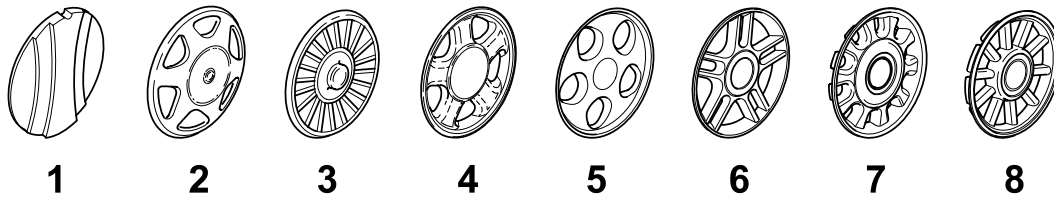
| N. | CODE | Q.TY | DESCRIZIONE | DESCRIPTION | DESCRIPTION | BESCHREIBUNG | REMARK |
|----|-------------|------|------------------|----------------|--------------------|--------------------|--------|
| 1 | 22122200/0 | 8 | Cuscinetto | Bearing | Coussinet | Lager | |
| 2 | 12521350/0 | 4 | Rosetta | Washer | Rondelle | Scheibe | |
| 3 | 12155000/0 | 2 | Dado | Nut | Ecrou | Mutter | |
| 6 | 12530150/0 | 2 | Rosetta Elastica | Elastic Washer | Rondelle Elastique | Elastische Scheibe | |
| 8 | 381007390/1 | 2 | Ruota Ø 210 | Wheel Ø 210 | Roue Ø 210 | Rad. Ø 210 | |
| 10 | 381007391/1 | 2 | Ruota Ø 300 | Wheel Ø 300 | Roue Ø 300 | Rad Ø 300 | |



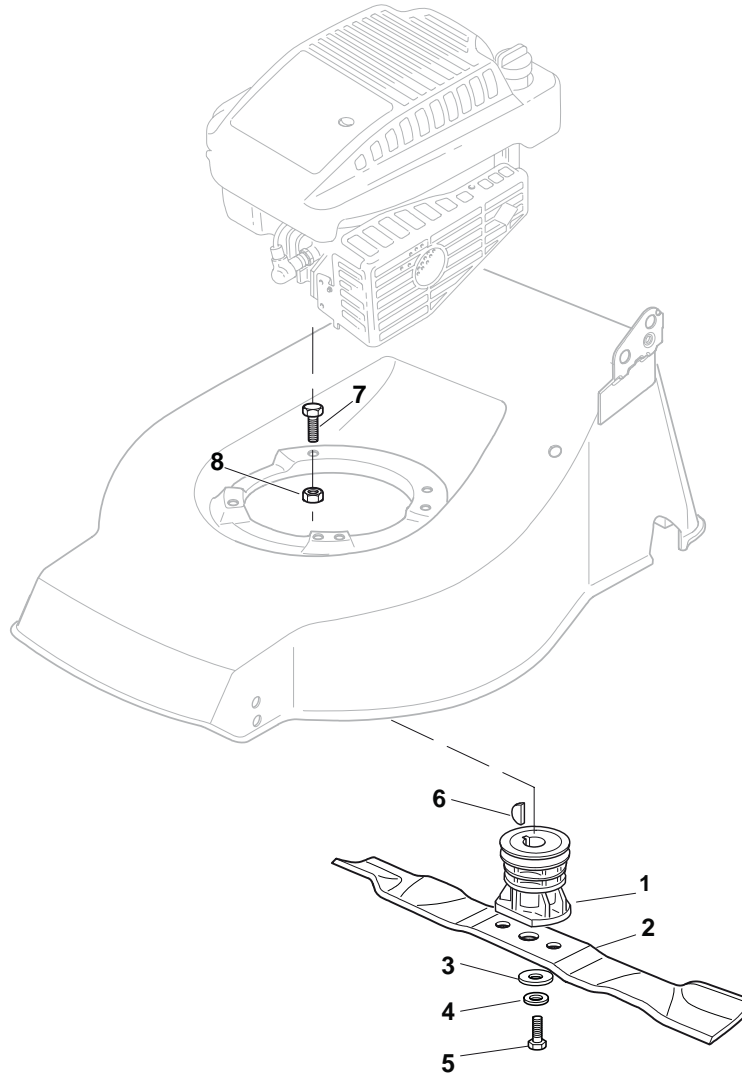
+



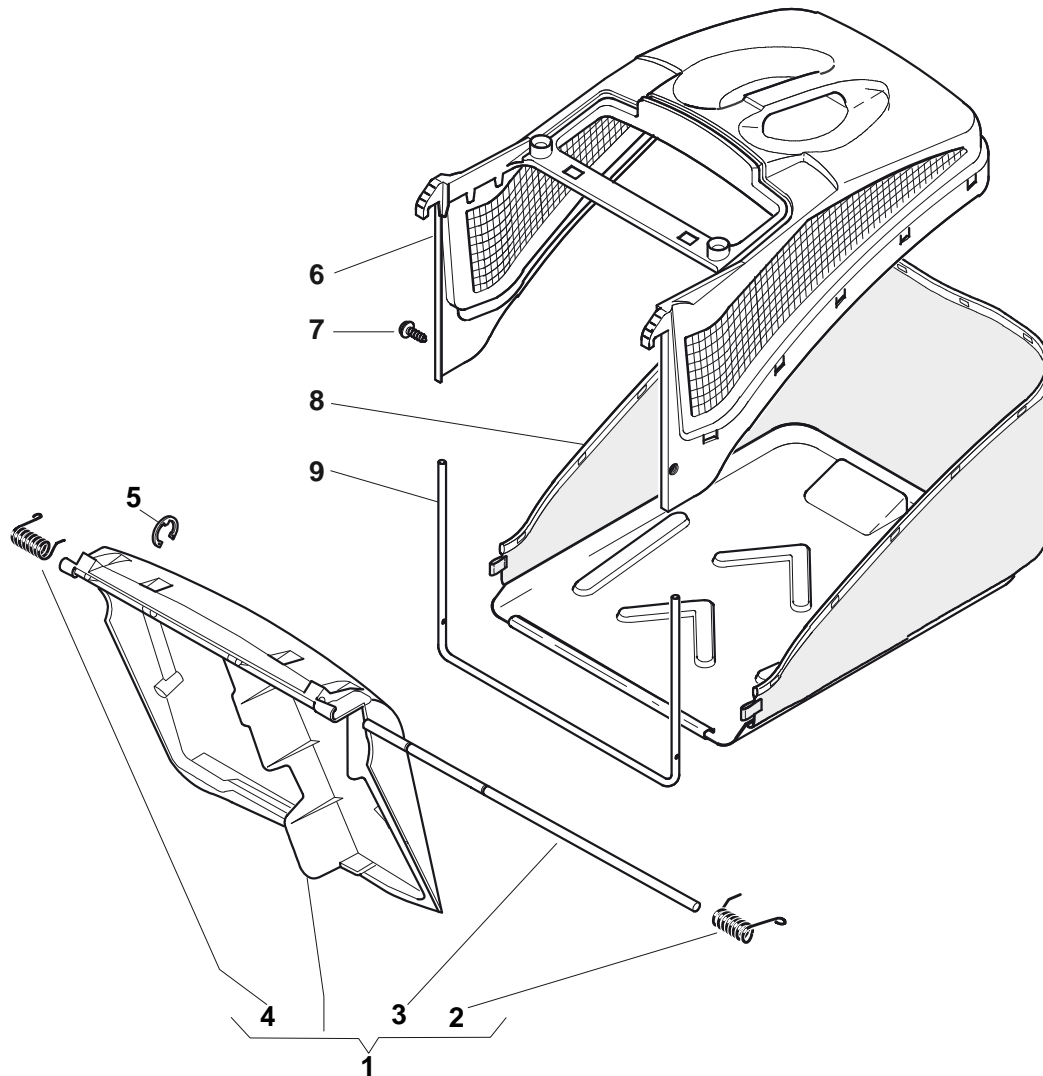
= A7



| N. CODE | Q.TY | DESCRIZIONE | DESCRIPTION | DESCRIPTION | BESCHREIBUNG | REMARK | |
|---------|-------------|-------------|-------------------|----------------|-------------------|----------------|--|
| A1 | 22110251/0 | 2 | Coprimezzo Bianco | Hub Cap White | Couvre-Moyeu | Radkappe Weiße | |
| A1 | 22110253/0 | 2 | Coprimezzo Giallo | Hub Cap Yellow | Couvre-Moyeu | Radkappe Gelbe | |
| A1 | 22110256/0 | 2 | Coprimezzo Rosso | Hub Cap Red | Couvre-Moyeu | Radkappe Rote | |
| A1 | 22110382/0 | 2 | Coprimezzo Grigio | Hub Cap Grey | Couvre-Moyeu Gris | Radkappe Grau | |
| A2 | 22110313/0 | 2 | Coprimezzo Bianco | Hub Cap White | Couvre-Moyeu | Radkappe Weiße | |
| A2 | 22110314/0 | 2 | Coprimezzo Grigio | Hub Cap Grey | Couvre-Moyeu Gris | Radkappe Grau | |
| A3 | 22110348/0 | 2 | Coprimezzo Grigio | Hub Cap Grey | Couvre-Moyeu Gris | Radkappe Grau | |
| A4 | 22110382/0 | 2 | Coprimezzo Grigio | Hub Cap Grey | Couvre-Moyeu Gris | Radkappe Grau | |
| B4 | 22110511/0 | 2 | Coprimezzo Grigio | Hub Cap Grey | Couvre-Moyeu Gris | Radkappe Grau | |
| A5 | 22110417/0 | 2 | Coprimezzo Grigio | Hub Cap Grey | Couvre-Moyeu Gris | Radkappe Grau | |
| B5 | 322110590/0 | 2 | Coprimezzo Grigio | Hub Cap Grey | Couvre-Moyeu Gris | Radkappe Grau | |
| A6 | 22110492/0 | 2 | Coprimezzo Grigio | Hub Cap Grey | Couvre-Moyeu Gris | Radkappe Grau | |
| B6 | 322110560/0 | 2 | Coprimezzo Grigio | Hub Cap Grey | Couvre-Moyeu Gris | Radkappe Grau | |
| A7 | 22110494/0 | 2 | Coprimezzo Grigio | Hub Cap Grey | Couvre-Moyeu Gris | Radkappe Grau | |
| A8 | 22110496/0 | 2 | Coprimezzo Grigio | Hub Cap Grey | Couvre-Moyeu Gris | Radkappe Grau | |



| N. | CODE | Q.TY | DESCRIZIONE | DESCRIPTION | DESCRIPTION | BESCHREIBUNG | REMARK |
|----|-------------|------|---------------------------------|----------------------------|-------------------------------|---------------------------|-------------|
| 1 | 122465607/3 | 1 | Mozzo, Albero Motore Ø 22.2 | Hub, Crankshaft Ø 22.2 | Moyeu, Arbre Moteur Ø 22.2 | Halter, Motorwelle Ø 22.2 | (B&S - GGP) |
| 1 | 122465608/2 | 1 | Mozzo, Albero Motore Ø 25 | Hub, Crankshaft Ø 25 | Moyeu, Arbre Moteur Ø 25 | Halter, Motorwelle Ø 25 | (Honda) |
| 2 | 81004381/1 | 1 | Coltello Standard | Blade Standard | Lame Standard | Messer Standard | 534 |
| 2 | 81004381/1 | 1 | Coltello Standard | Blade Standard | Lame Standard | Messer Standard | |
| 2 | 81004398/0 | 1 | Coltello Alettato | Blade Winged | Lame Ailettée | Messer Flügel | 534 |
| 2 | 81004398/0 | 1 | Coltello Alettato | Blade Winged | Lame Ailettée | Messer Flügel | |
| 3 | 22160400/0 | 1 | Disco Elastico | Elastic Washer | Rondelle Elastique | Elastischescheibe | |
| 4 | 12523080/0 | 1 | Rosetta | Washer | Rondelle | Scheibe | |
| 5 | 12735698/0 | 1 | Vite | Screw | Vis | Schraube | |
| 6 | 12139100/0 | 1 | Linguetta, Albero Motore Ø 22.2 | Feather, Crankshaft Ø 22.2 | Clavette, Arbre Moteur Ø 22.2 | Keil, Motorwelle Ø 22.2 | (B&S - GGP) |
| 6 | 12139150/0 | 1 | Linguetta, Albero Motore Ø 25 | Feather, Crankshaft Ø 25 | Clavette, Arbre Moteur Ø 25 | Keil, Motorwelle Ø 25 | (Honda) |
| 7 | 12691800/0 | 1 | Vite | Screw | Vis | Schraube | |
| 7 | 12793701/0 | 3 | Vite | Screw | Vis | Schraube | |
| 8 | 12155000/0 | 1 | Dado | Nut | Ecrou | Mutter | |
| 8 | 12293201/0 | 3 | Dado | Nut | Ecrou | Mutter | |



| N. | CODE | Q.TY | DESCRIZIONE | DESCRIPTION | DESCRIPTION | BESCHREIBUNG | REMARK |
|----|-------------|------|------------------|------------------|-------------------|----------------|--------|
| 1 | 381008021/2 | 1 | Parasassi | Stone-Guard | Pare-Pierres | Prallblech | |
| 2 | 22450410/1 | 1 | Molla Dx | R Spring | Ressort D | Rechte Feder | |
| 3 | 22517906/1 | 1 | Perno | Pin | Pivot | Bolzen | |
| 4 | 22450420/1 | 1 | Molla Sx | L Spring | Ressort G | Linke Feder | |
| 5 | 12000930/0 | 1 | Anello Elastico | Snap Ring | Anneau Ressort | Sprengring | |
| 6 | 22486093/0 | 1 | Sacco, Parte Sup | Grass-Box, Upper | Sac, Partie | Korb, Oberteil | |
| 7 | 12728445/0 | 2 | Vite | Screw | Vis | Schraube | |
| 8 | 81002195/0 | 1 | Sacco, Tela | Box, Fabric | Sac, Toile | Sack, Tuck | |
| 9 | 22608523/0 | 1 | Rinforzo Inf | Stiffening Lower | Réinforcement Inf | Verstärkung | |