

Genuine Spare Parts

CA 534 TR 4S - CA 534 TR/E 4S

Catalogo delle parti di ricambio
Spare parts catalogue
Catalogue des pieces de rechange
Ersatzteilkatalog

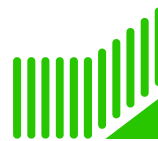
2011

- Use GLOBAL GARDEN PRODUCT Genuine Spare Parts specified in the parts list for repair and/or replacement.
- The contents described in the parts list may change due to improvement.
- The drawings of the spare parts are only indicative and might not represent the part in question exactly.
- The indications "right" - "left" - "front" - "rear" refer to the position of the operator when using the machine.
- When placing orders of parts for repair and/or replacement, make sure that the illustrated parts list is the one applying to the machine's year of manufacture, as shown on the identification plate attached to the machine.

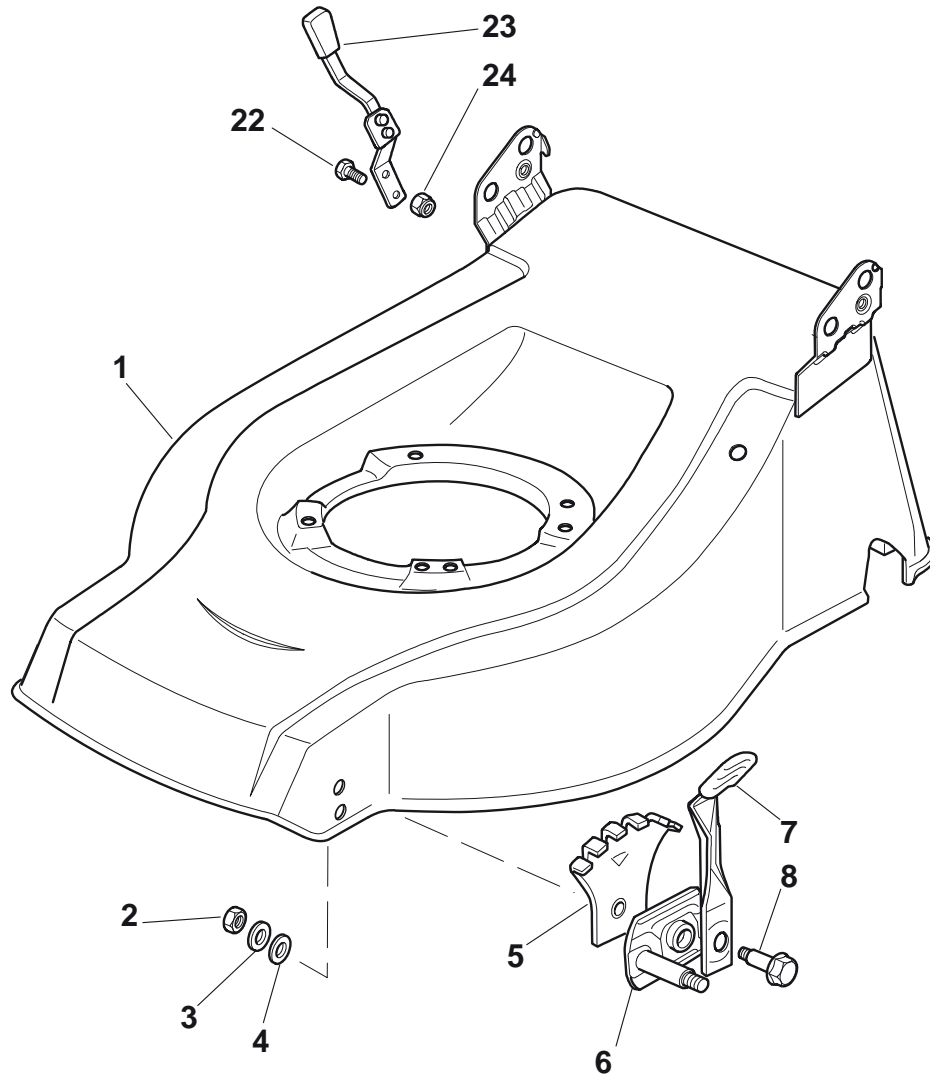
© Copyright 2011 Global Garden Products

All content is subject to copyright by Global Garden Products and may not be reproduced in whole or in part by any means, electronic or otherwise, without prior written approval.

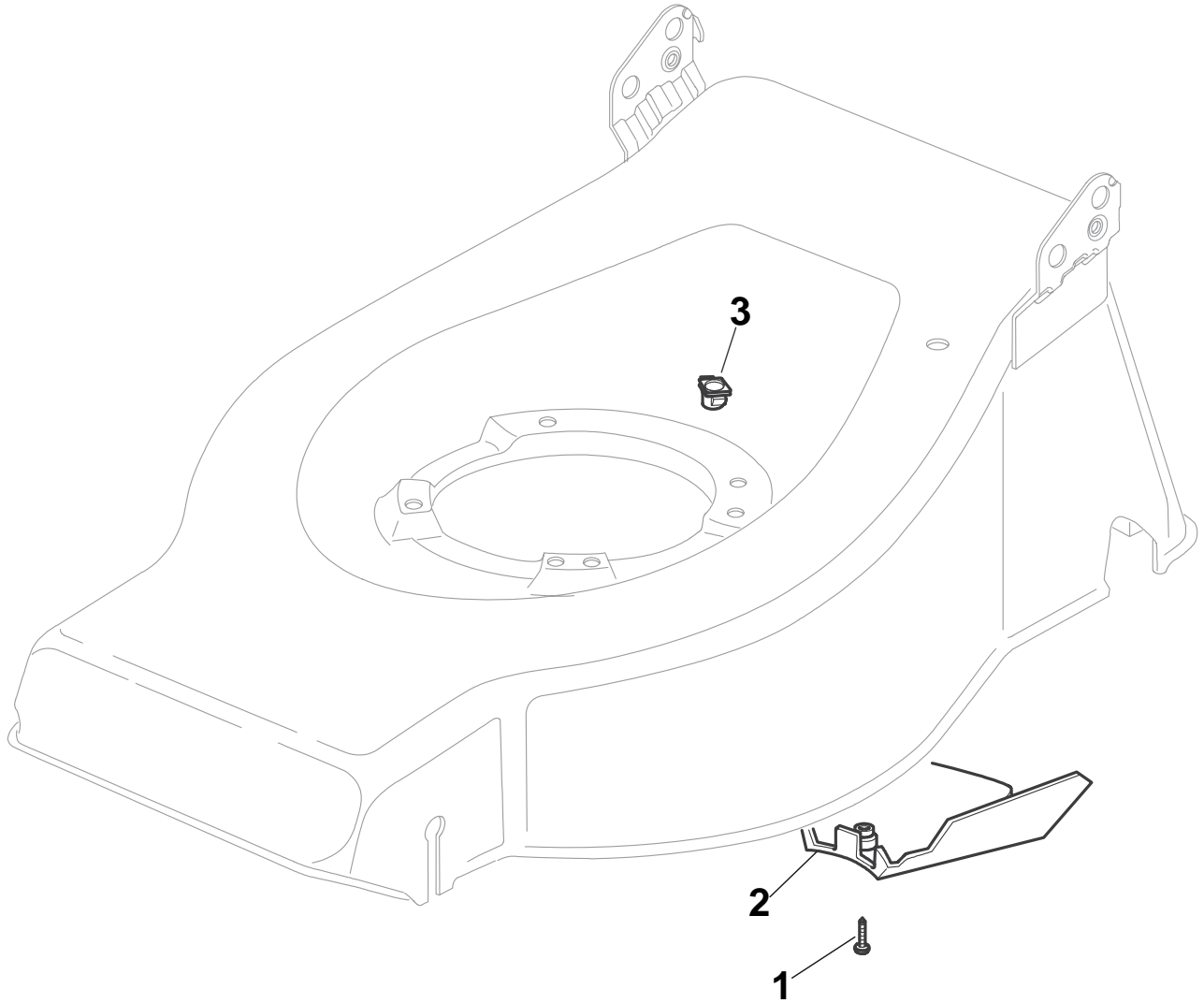
THIS INFORMATION IS NOT INTENDED FOR SALE OR RESALE, AND THIS NOTICE MUST REMAIN ON ALL COPIES.



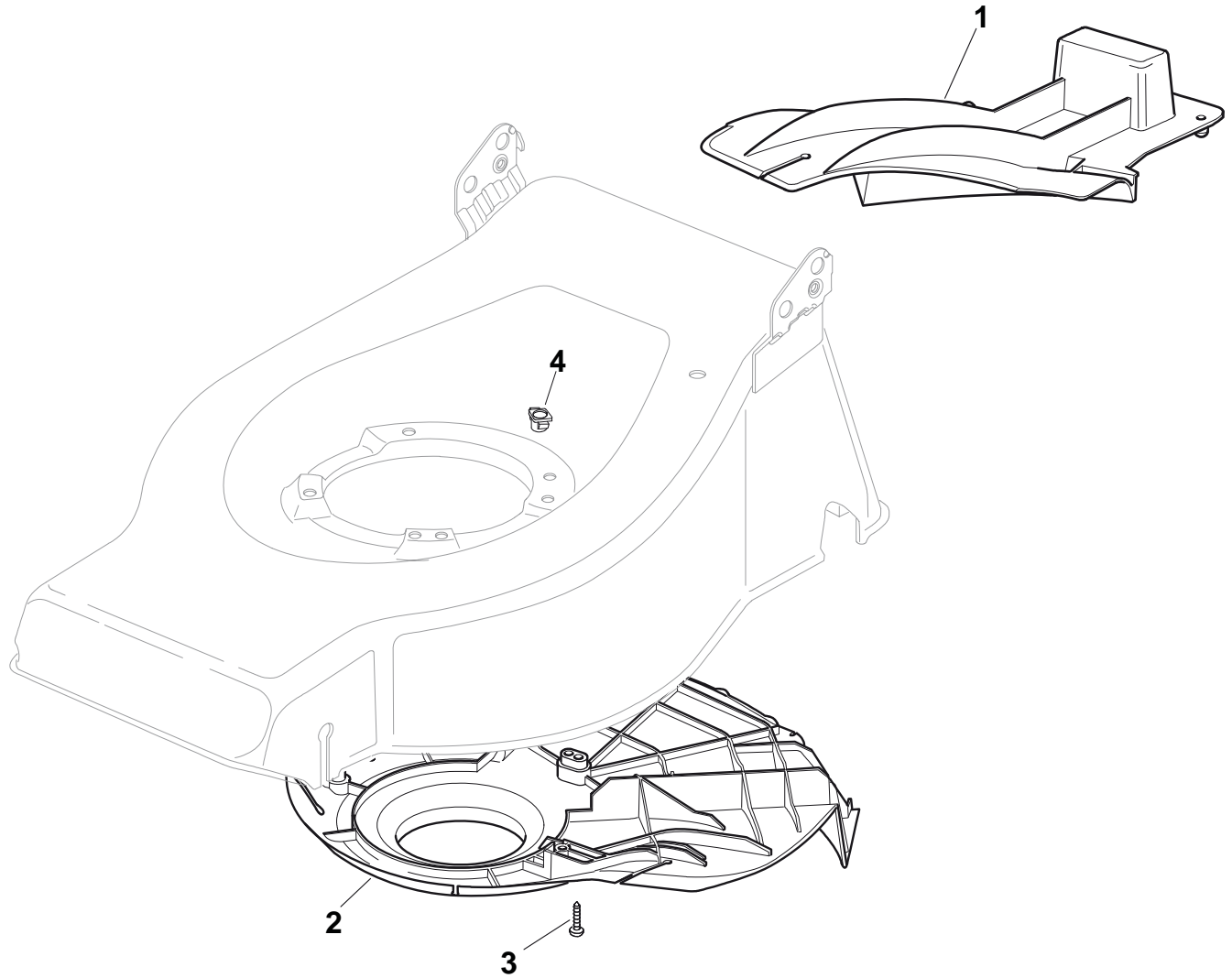
GLOBAL GARDEN PRODUCTS



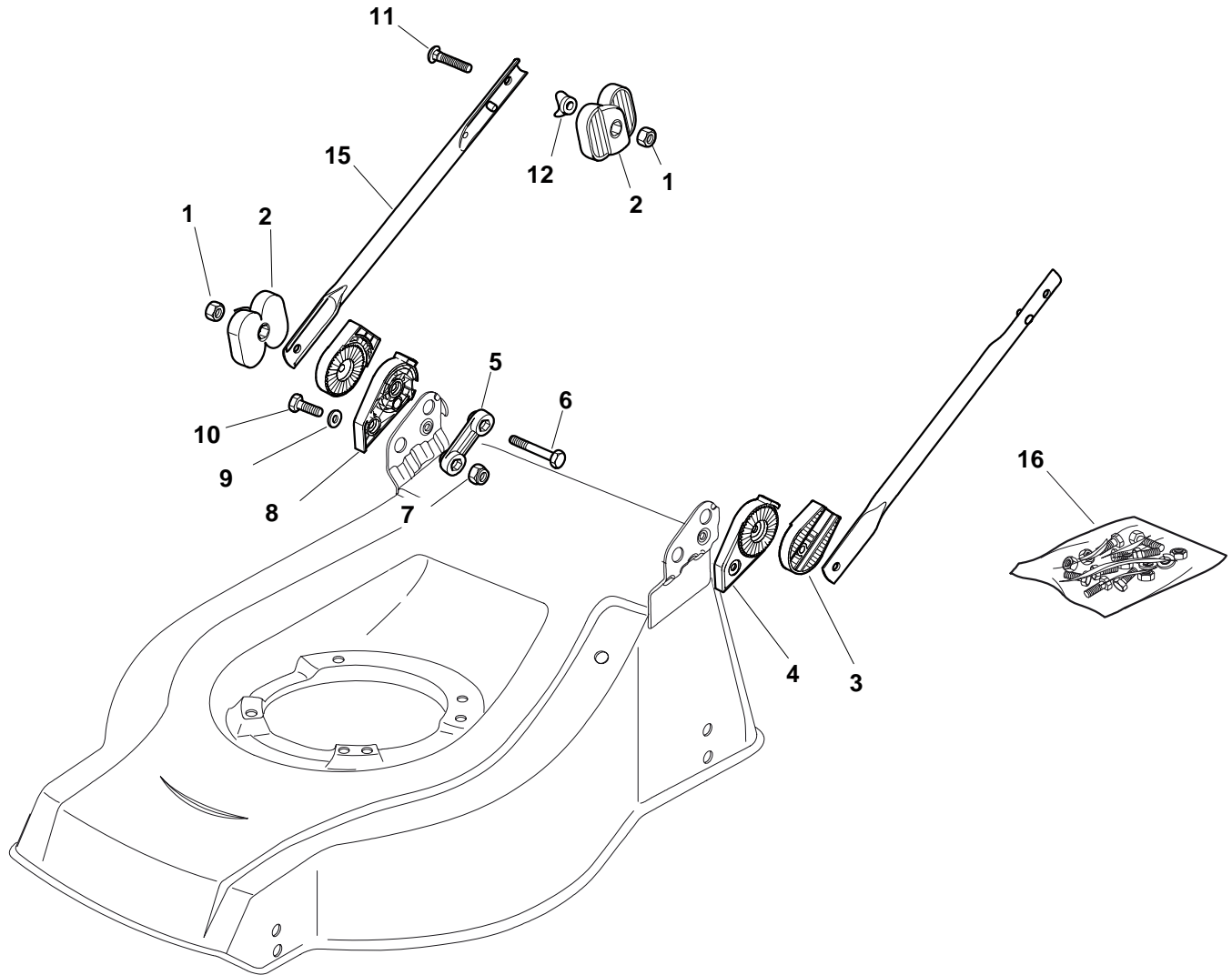
N.	CODE	Q.TY	DESCRIZIONE	DESCRIPTION	DESCRIPTION	BESCHREIBUNG	REMARK
1	81002350/0	1	Chassis Rosso	Deck Red	Châssis Rouge	Gehäuse Rot	
2	12293200/0	2	Dado	Nut	Ecrou	Mutter	
3	12583500/0	2	Grower	Grower	Grower	Federring	
4	12523070/0	2	Rosetta	Washer	Rondelle	Scheibe	
5	22735547/0	2	Settore Regolazione Altezza	Sector, Height Adjustment	Secteur Reglage Hauteur	Sektor, Höheverstellung	
6	81005082/0	2	Supporto Ruota	Support, Wheel	Support Roue	Halter, Rad	
7	81003285/1	2	Leva Regolazione Altezza	Lever, Height Adjustment	Levier, Reglage Hauteur	Hebel, Höheverstellung	
8	22519811/0	2	Perno	Pin	Pivot	Bolzen	
22	12789000/0	2	Vite	Screw	Vis	Schraube	
23	81003279/2	1	Leva Regolazione Altezza	Lever, Height Adjustment	Levier, Reglage Hauteur	Hebel, Höheverstellung	
24	12154330/0	2	Dado	Nut	Ecrou	Mutter	



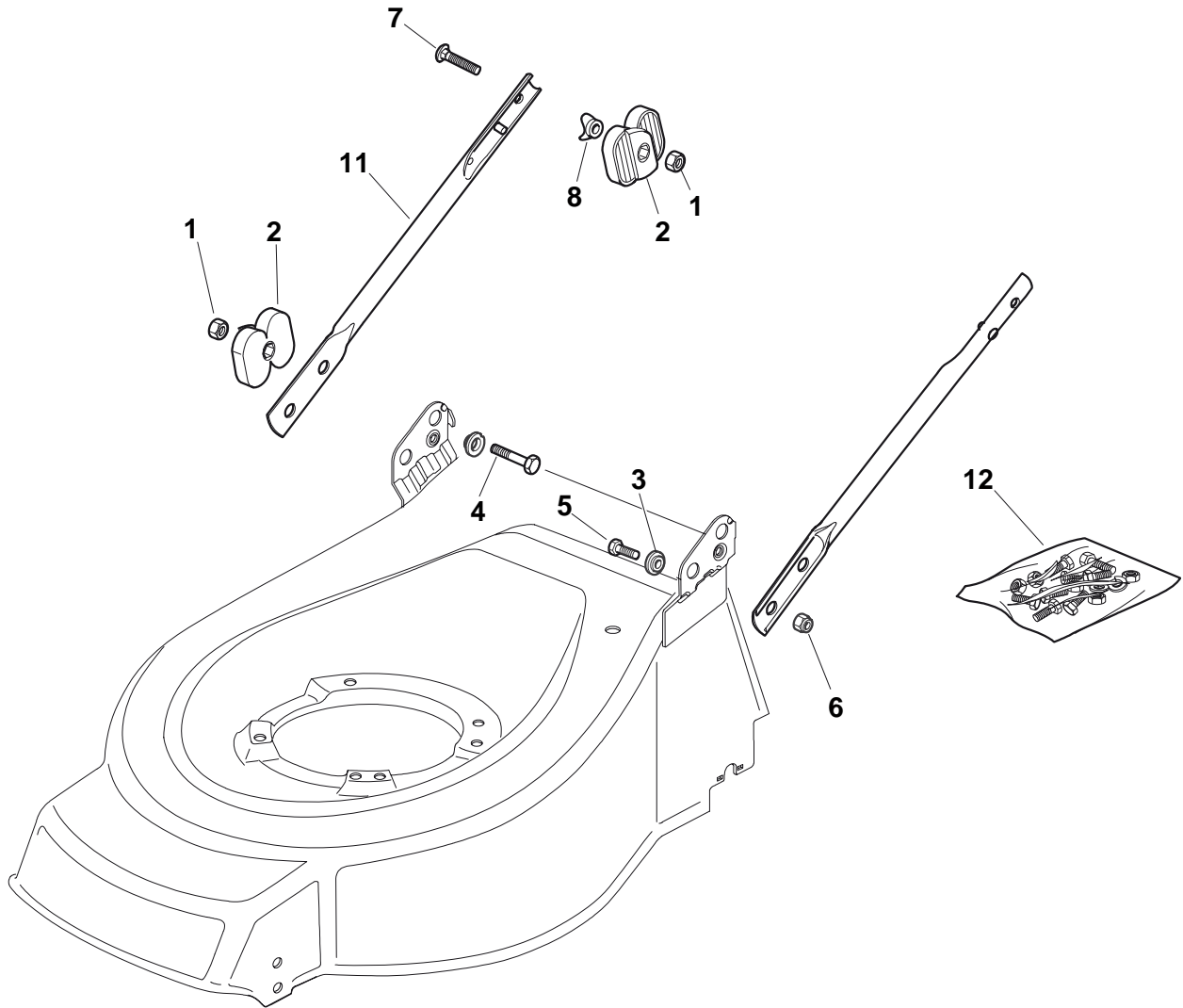
N.	CODE	Q.TY	DESCRIZIONE	DESCRIPTION	DESCRIPTION	BESCHREIBUNG	REMARK
1	12728530/0	1	Vite	Screw	Vis	Schraube	
2	22060196/0	1	Carter Cinghia	Protection, Belt	Protection	Schutz, Riemen	
3	22291150/0	1	Inserto In Gomma	Rubber Insert	Insert De	Gummi Einsatz	



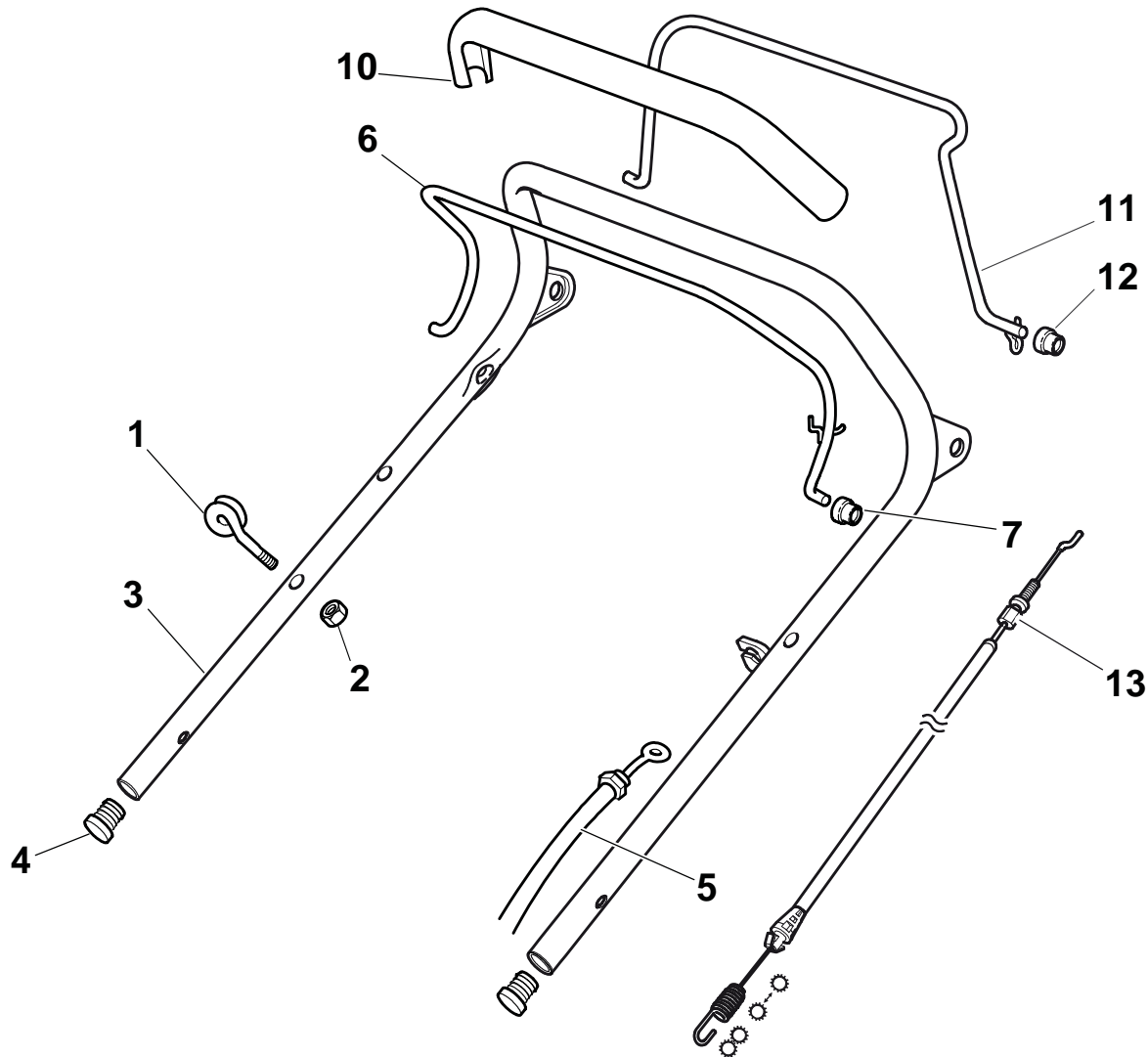
N.	CODE	Q.TY	DESCRIZIONE	DESCRIPTION	DESCRIPTION	BESCHREIBUNG	REMARK
1	22140222/0	1	Deflettore	Deflector	Deflecteur	Deflektor	
2	322060197/2	1	Carter Cinghia	Protection, Belt	Protection	Schutz, Riemen	
3	12728530/0	3	Vite	Screw	Vis	Schraube	
4	22291150/0	1	Inserto In Gomma	Rubber Insert	Insert De	Gummi Einsatz	



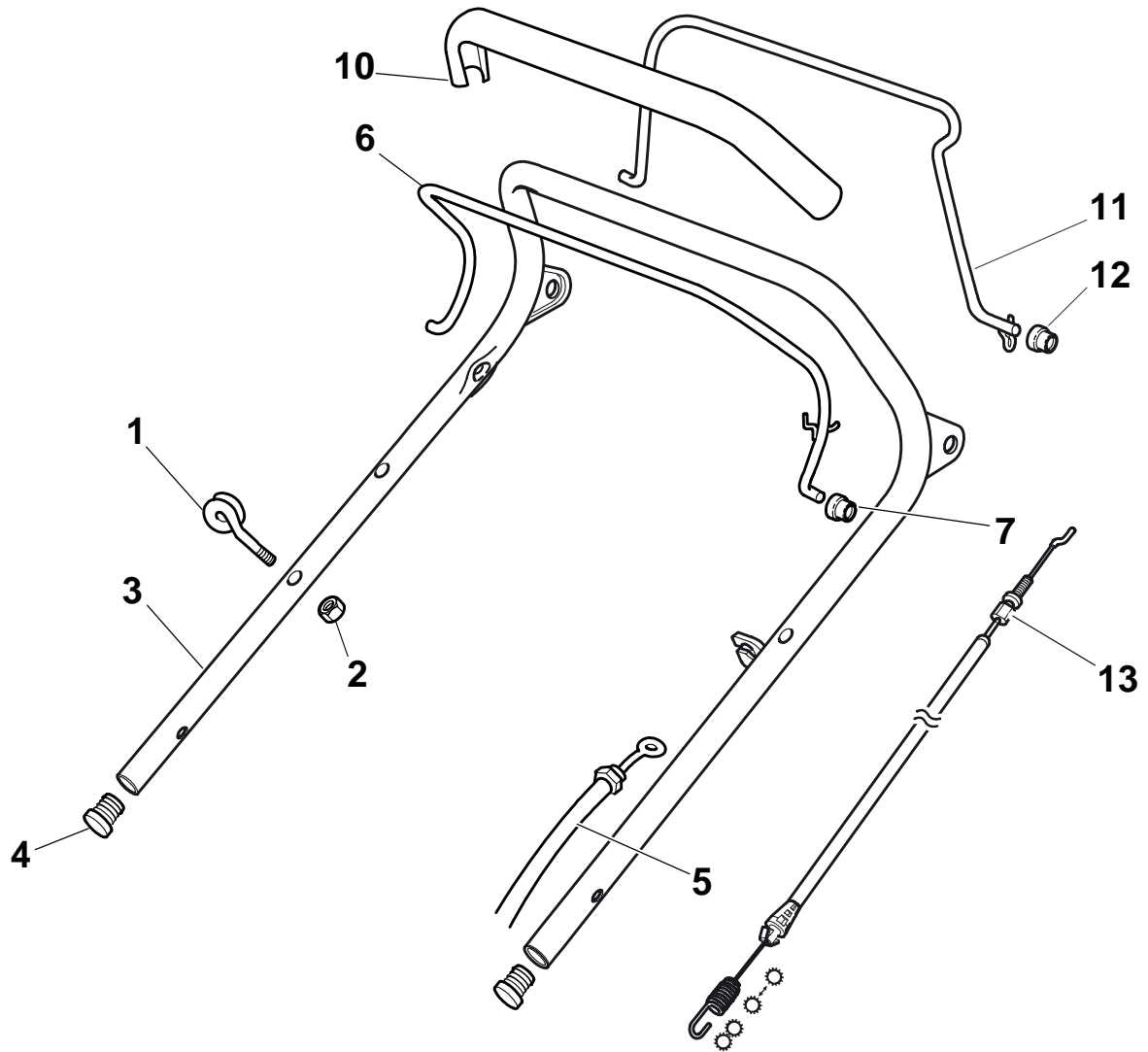
N.	CODE	Q.TY	DESCRIZIONE	DESCRIPTION	DESCRIPTION	BESCHREIBUNG	REMARK
1	12293202/0	4	Dado	Nut	Ecrou	Mutter	
2	22399803/0	4	Manopolina	Knob	Poignée	Griff	
3	22785081/1	2	Supporto Esterno	Support, External	Support Externe	Halter, Außere	
4	22785083/1	1	Supporto Interno	Support, L Internal	Support Interne G	Halter, Innere L	
5	22551575/0	2	Piastrina Interna	Plate, Inside	Plaquette Interne	Platte, Innere	
6	12691810/0	2	Vite	Screw	Vis	Schraube	
7	12155000/0	2	Dado	Nut	Ecrou	Mutter	
8	22785082/0	1	Supporto Interno	Support, R Internal	Support Interne D	Halter, Innere R	
9	12521350/0	2	Rosetta	Washer	Rondelle	Scheibe	
10	12793301/0	2	Vite	Screw	Vis	Schraube	
11	12819125/0	2	Vite	Screw	Vis	Schraube	
12	22680006/1	2	Rosetta	Washer	Rondelle	Scheibe	
15	81006531/0	2	Manico, Parte Inf	Handle, Lower Part	Mancheron, Partie Inferieure	Holm, Unterteil	
16	81008633/0	1	Dotazione Viteria	Outfit, Screws	Dotation Visserie	Satz, Schrauben	



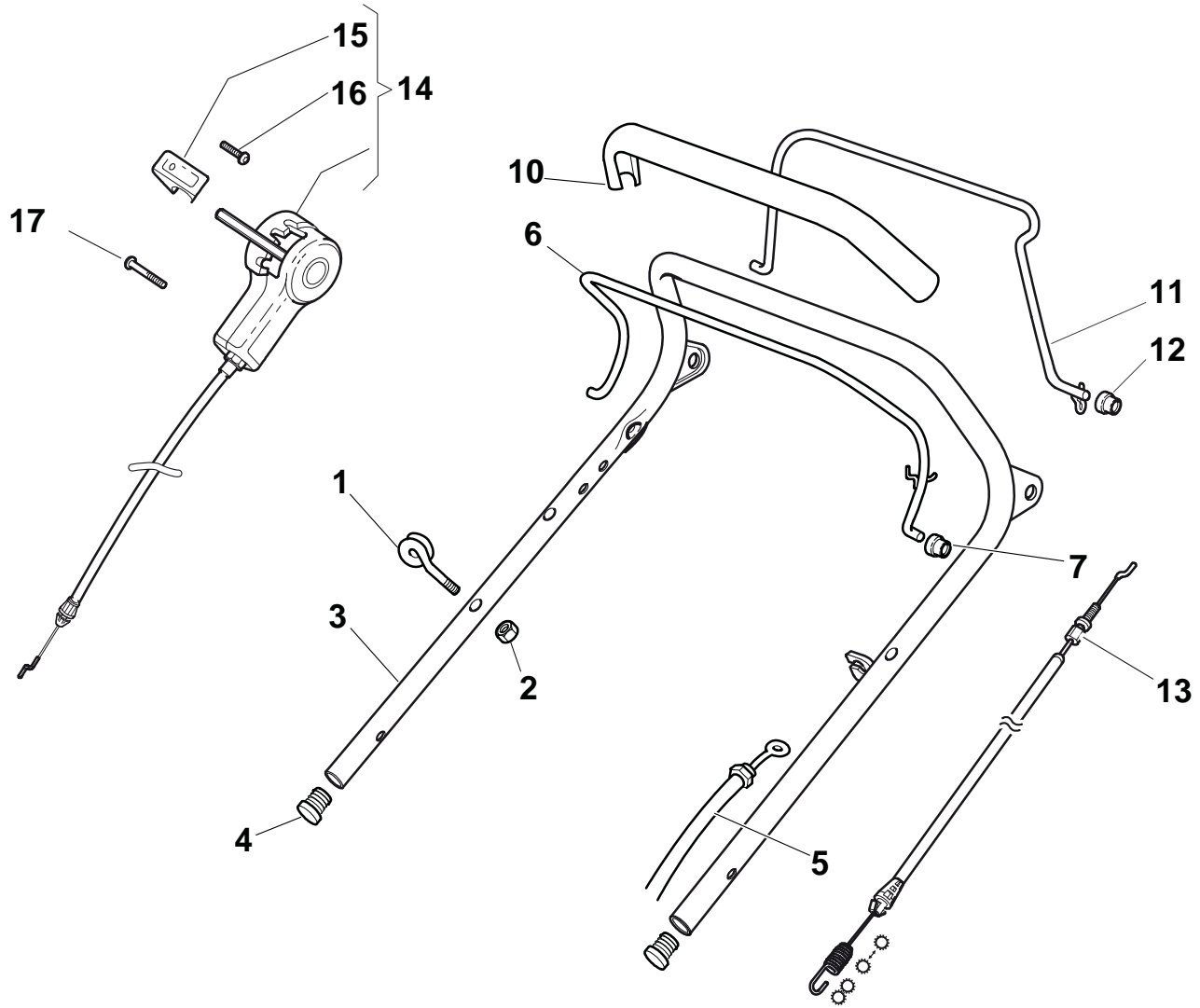
N.	CODE	Q.TY	DESCRIZIONE	DESCRIPTION	DESCRIPTION	BESCHREIBUNG	REMARK
1	12293202/0	4	Dado	Nut	Ecrou	Mutter	
2	22399803/0	4	Manopolina	Knob	Poignée	Griff	
3	22041955/0	4	Bussola	Bush	Douille	Buchse	
4	12793700/0	2	Vite	Screw	Vis	Schraube	
5	12792610/0	2	Vite	Screw	Vis	Schraube	
6	12155000/0	2	Dado	Nut	Ecrou	Mutter	
7	12819125/0	2	Vite	Screw	Vis	Schraube	
8	22680006/1	2	Rosetta	Washer	Rondelle	Scheibe	
11	81006973/0	2	Manico, Parte Inf	Handle, Lower Part	Mancheron, Partie Inferieure	Holm, Unterteil	
12	81008633/0	1	Dotazione Viteria	Outfit, Screws	Dotation Visserie	Satz, Schrauben	



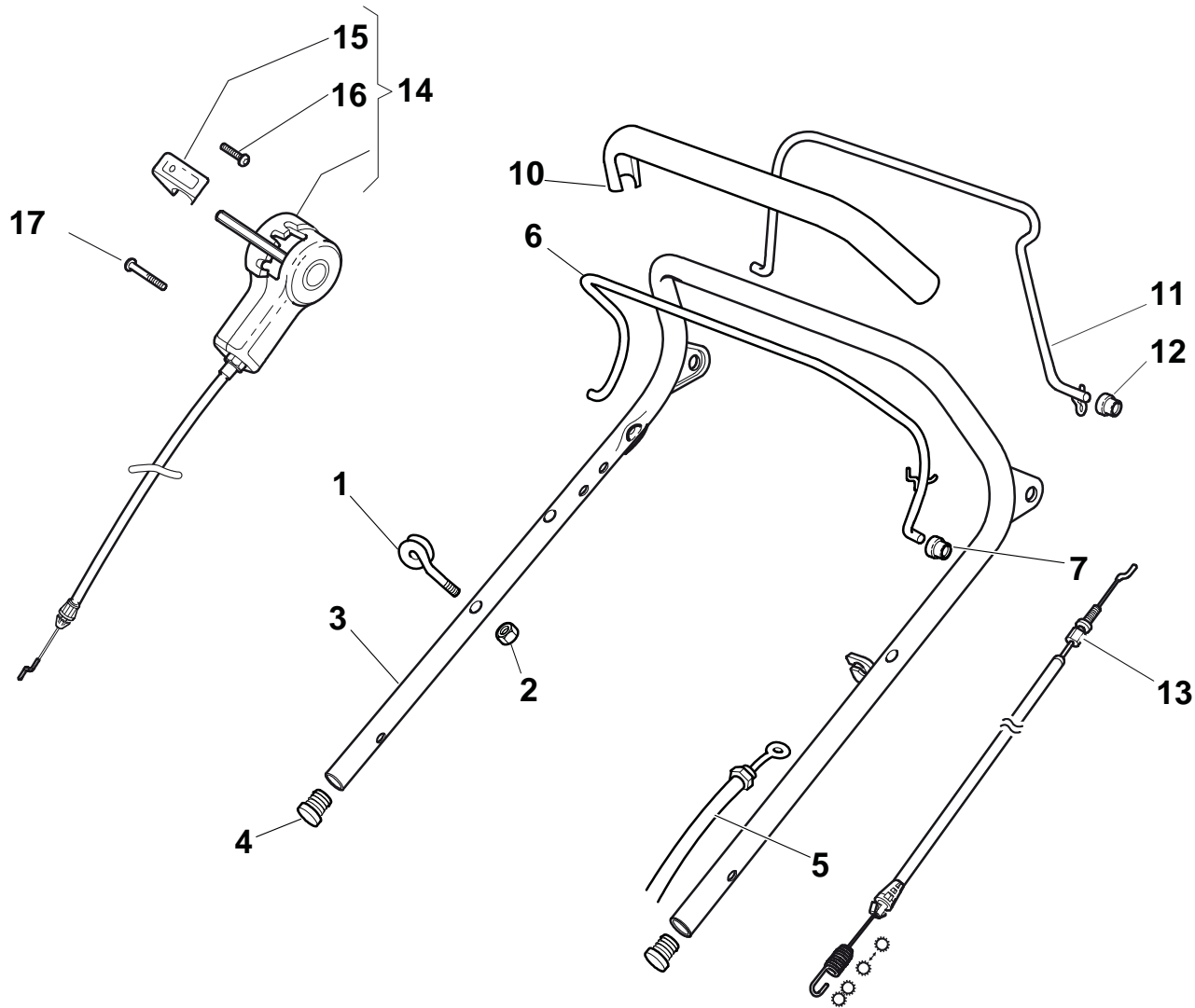
N.	CODE	Q.TY	DESCRIZIONE	DESCRIPTION	DESCRIPTION	BESCHREIBUNG	REMARK
1	22430309/0	1	Molla Guida	Guide Spring	Ressort De Guide	Feder Führer	
2	12154330/0	1	Dado	Nut	Ecrou	Mutter	
3	81006981/0	1	Manico, Parte Sup	Handle, Upper Part	Mancheron, Partie Superieure	Holm, Oberteil	
4	18566112/0	2	Puntale	Cap	Bouchon	Gummistopfen	
5	181000761/0	1	Cavo Freno Motore	Cable, Thread Engine Brake	Cable Frein Moteur	Kabel, Motorbremse	534 W TR (B&S 625-675 Series)
5	181000761/0	1	Cavo Freno Motore	Cable, Thread Engine Brake	Cable Frein Moteur	Kabel, Motorbremse	534 W TR (B&S 500 Series)
5	181030009/0	1	Cavo Freno Motore	Cable, Thread Engine Brake	Cable Frein Moteur	Kabel, Motorbremse	534 (B&S 700 Series DOV)
5	181030009/0	1	Cavo Freno Motore	Cable, Thread Engine Brake	Cable Frein Moteur	Kabel, Motorbremse	534 W TR (B&S 700 Series DOV)
5	81000611/0	1	Cavo Freno Motore	Cable, Thread Engine Brake	Cable Frein Moteur	Kabel, Motorbremse	(Ggp 150cc)
5	81000616/1	1	Cavo Freno Motore	Cable, Thread Engine Brake	Cable Frein Moteur	Kabel, Motorbremse	534 W TR (Honda Gcv 135-160)
5	81000622/2	1	Cavo Freno Motore	Cable, Thread Engine Brake	Cable Frein Moteur	Kabel, Motorbremse	534 W TR (Ggp 150cc)
5	81000640/0	1	Cavo Freno Motore	Cable, Thread Engine Brake	Cable Frein Moteur	Kabel, Motorbremse	534 (Honda Gcv 135-160-190)
5	81000643/0	1	Cavo Freno Motore	Cable, Thread Engine Brake	Cable Frein Moteur	Kabel, Motorbremse	534 (B&S 500 Series)
5	81000756/0	1	Cavo Freno Motore	Cable, Thread Engine Brake	Cable Frein Moteur	Kabel, Motorbremse	534 (Ggp 140cc)
5	81000756/0	1	Cavo Freno Motore	Cable, Thread Engine Brake	Cable Frein Moteur	Kabel, Motorbremse	534 (B&S 625-675 Series)
5	81000756/0	1	Cavo Freno Motore	Cable, Thread Engine Brake	Cable Frein Moteur	Kabel, Motorbremse	534 (B&S 675 Series Es)
5	81000756/0	1	Cavo Freno Motore	Cable, Thread Engine Brake	Cable Frein Moteur	Kabel, Motorbremse	534 (Ggp 196cc)
5	81000756/0	1	Cavo Freno Motore	Cable, Thread Engine Brake	Cable Frein Moteur	Kabel, Motorbremse	534 W TR (Ggp 196cc)
5	81000756/0	1	Cavo Freno Motore	Cable, Thread Engine Brake	Cable Frein Moteur	Kabel, Motorbremse	534 W TR (Ggp 140cc)
5	81000756/0	1	Cavo Freno Motore	Cable, Thread Engine Brake	Cable Frein Moteur	Kabel, Motorbremse	534 W TR (Ggp 160cc)
5	81000756/0	1	Cavo Freno Motore	Cable, Thread Engine Brake	Cable Frein Moteur	Kabel, Motorbremse	534 (Ggp 160cc)
6	81003291/3	1	Leva Freno Motore	Lever, Engine Brake	Levier Frein Moteur	Hebel, Motorbremse	
7	22041966/0	2	Bussola	Bush	Douille	Buchse	
10	22291050/0	1	Impugnatura Manico Nera	Handgrip Black	Poignée Noire	Handgriff Schwarz	
11	22041965/1	2	Bussola	Bush	Douille	Buchse	
12	81003288/1	1	Leva Trazione	Lever, Driving	Levier Traction	Hebel, Antrieb	
13	81000668/1	1	Cavo Comando Trazione	Cable, Rear Drive	Câble, Commande Traction	Kabel, Antrieb	(General Transmission)



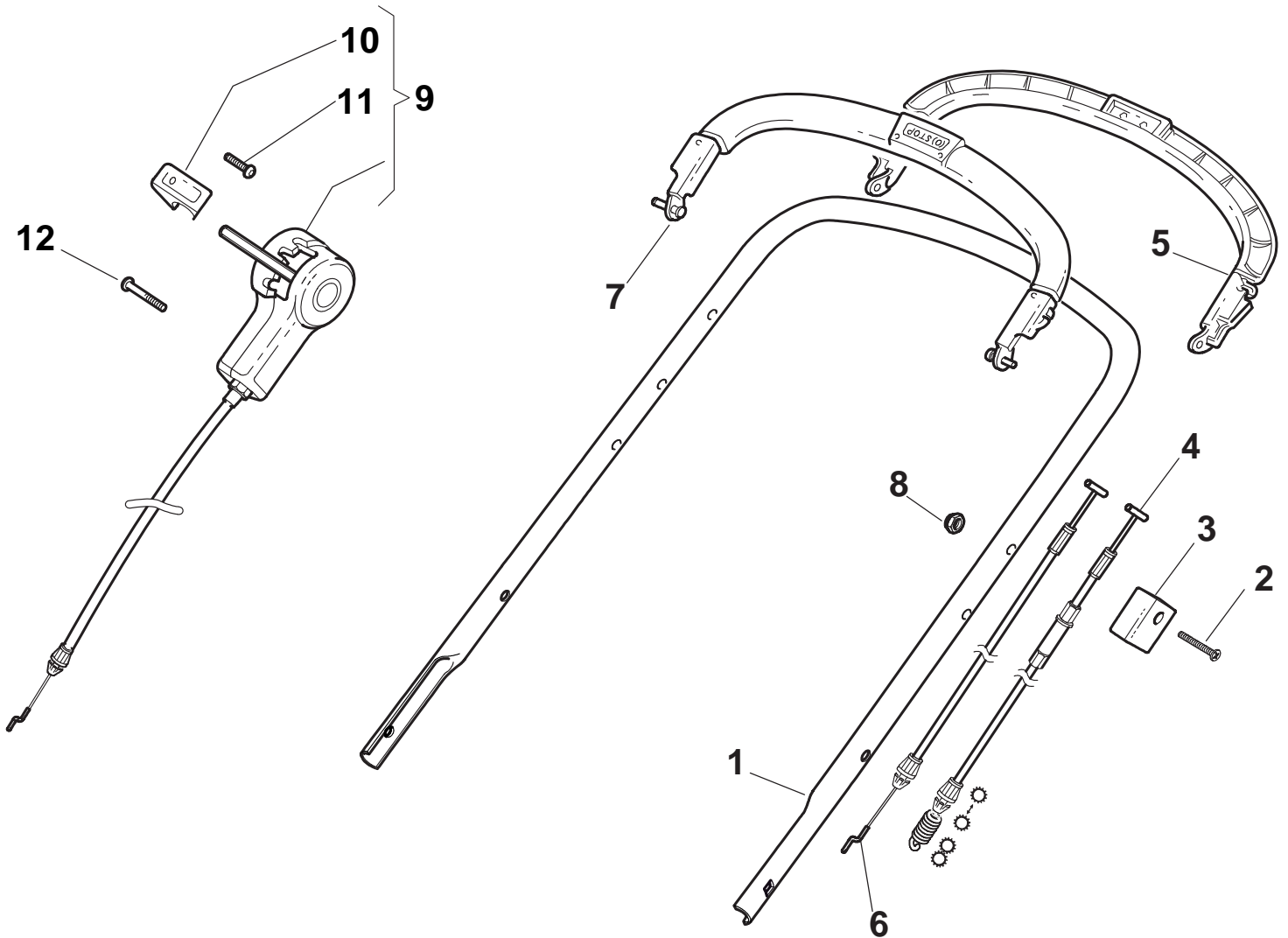
N. CODE	Q.TY	DESCRIZIONE	DESCRIPTION	DESCRIPTION	BESCHREIBUNG	REMARK	
13	81000672/0	1	Cavo Comando Trazione	Cable, Rear Drive	Câble, Commande Traction	Kabel, Antrieb	(Bi Ci Di)



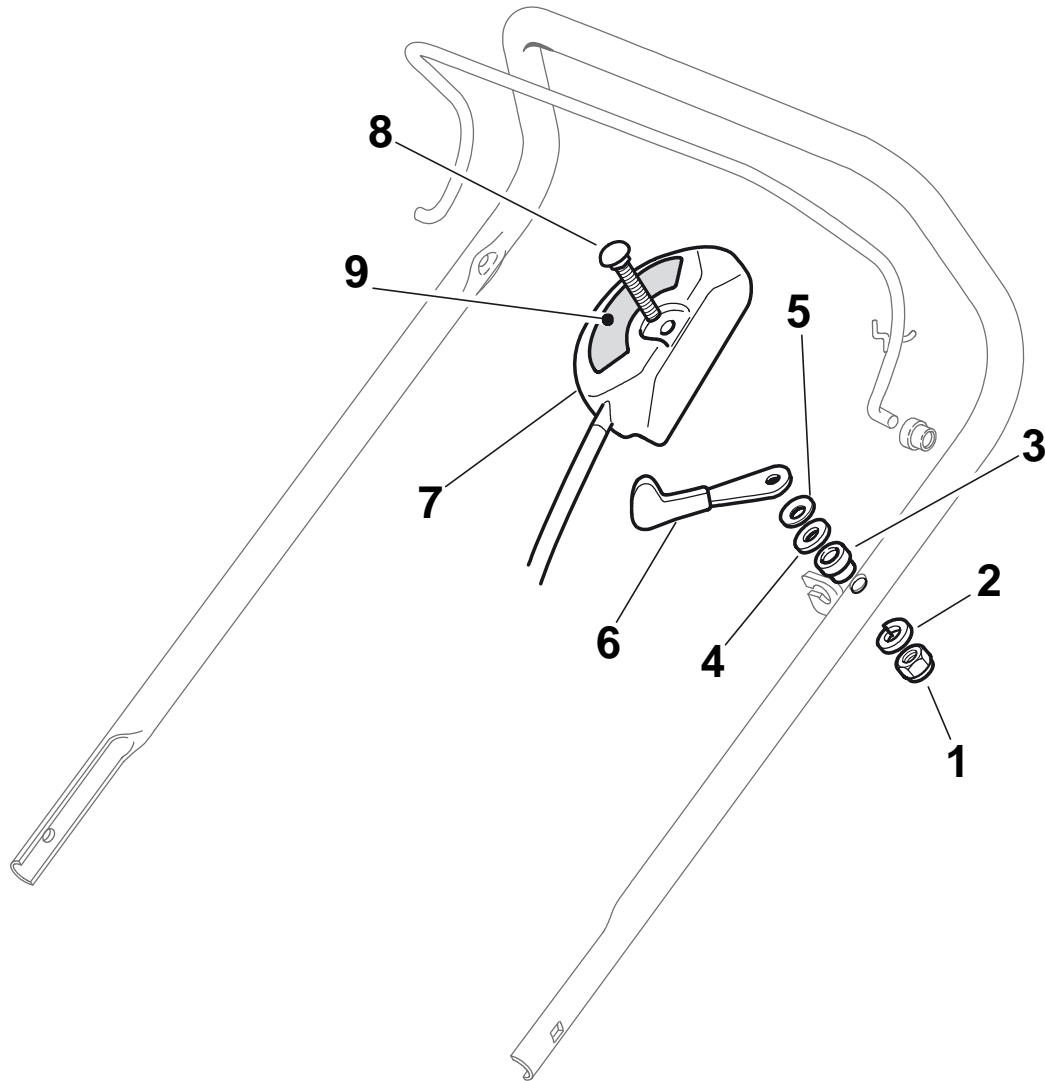
N.	CODE	Q.TY	DESCRIZIONE	DESCRIPTION	DESCRIPTION	BESCHREIBUNG	REMARK
1	22430309/0	1	Molla Guida	Guide Spring	Ressort De Guide	Feder Führer	
2	12154330/0	1	Dado	Nut	Ecrou	Mutter	
3	81006989/0	1	Manico, Parte Sup	Handle, Upper Part	Mancheron, Partie Superieure	Holm, Oberteil	
4	18566112/0	2	Puntale	Cap	Bouchon	Gummistopfen	
5	181000761/0	1	Cavo Freno Motore	Cable, Thread Engine Brake	Cable Frein Moteur	Kabel, Motorbremse	534 W TR (B&S 625-675 Series)
5	181000761/0	1	Cavo Freno Motore	Cable, Thread Engine Brake	Cable Frein Moteur	Kabel, Motorbremse	534 W TR (B&S 500 Series)
5	181030009/0	1	Cavo Freno Motore	Cable, Thread Engine Brake	Cable Frein Moteur	Kabel, Motorbremse	534 (B&S 700 Series DOV)
5	181030009/0	1	Cavo Freno Motore	Cable, Thread Engine Brake	Cable Frein Moteur	Kabel, Motorbremse	534 W TR (B&S 700 Series DOV)
5	81000611/0	1	Cavo Freno Motore	Cable, Thread Engine Brake	Cable Frein Moteur	Kabel, Motorbremse	(Ggp 150cc)
5	81000616/1	1	Cavo Freno Motore	Cable, Thread Engine Brake	Cable Frein Moteur	Kabel, Motorbremse	534 W TR (Honda Gcv 135-160)
5	81000622/2	1	Cavo Freno Motore	Cable, Thread Engine Brake	Cable Frein Moteur	Kabel, Motorbremse	534 W TR (GGP 150cc)
5	81000640/0	1	Cavo Freno Motore	Cable, Thread Engine Brake	Cable Frein Moteur	Kabel, Motorbremse	534 (Honda Gcv 135-160-190)
5	81000643/0	1	Cavo Freno Motore	Cable, Thread Engine Brake	Cable Frein Moteur	Kabel, Motorbremse	534 (B&S 500 Series)
5	81000756/0	1	Cavo Freno Motore	Cable, Thread Engine Brake	Cable Frein Moteur	Kabel, Motorbremse	534 W TR (GGP 196cc)
5	81000756/0	1	Cavo Freno Motore	Cable, Thread Engine Brake	Cable Frein Moteur	Kabel, Motorbremse	534 W TR (GGP 160cc)
5	81000756/0	1	Cavo Freno Motore	Cable, Thread Engine Brake	Cable Frein Moteur	Kabel, Motorbremse	534 W TR (GGP 140cc)
5	81000756/0	1	Cavo Freno Motore	Cable, Thread Engine Brake	Cable Frein Moteur	Kabel, Motorbremse	534 (B&S 675 Series Es)
5	81000756/0	1	Cavo Freno Motore	Cable, Thread Engine Brake	Cable Frein Moteur	Kabel, Motorbremse	534 (B&S 625-675 Series)
5	81000756/0	1	Cavo Freno Motore	Cable, Thread Engine Brake	Cable Frein Moteur	Kabel, Motorbremse	534 (Ggp 140cc)
5	81000756/0	1	Cavo Freno Motore	Cable, Thread Engine Brake	Cable Frein Moteur	Kabel, Motorbremse	534 (Ggp 160cc)
5	81000756/0	1	Cavo Freno Motore	Cable, Thread Engine Brake	Cable Frein Moteur	Kabel, Motorbremse	534 (Ggp 196cc)
6	81003291/3	1	Leva Freno Motore	Lever, Engine Brake	Levier Frein Moteur	Hebel, Motorbremse	
7	22041966/0	2	Bussola	Bush	Douille	Buchse	
10	22291050/0	1	Impugnatura Manico Nera	Handgrip Black	Poignée Noire	Handgriff Schwarz	
11	22041965/1	2	Bussola	Bush	Douille	Buchse	
12	81003288/1	1	Leva Trazione	Lever, Driving	Levier Traction	Hebel, Antrieb	
13	81000668/1	1	Cavo Comando Trazione	Cable, Rear Drive	Câble, Commande Traction	Kabel, Antrieb	(General Transmission)



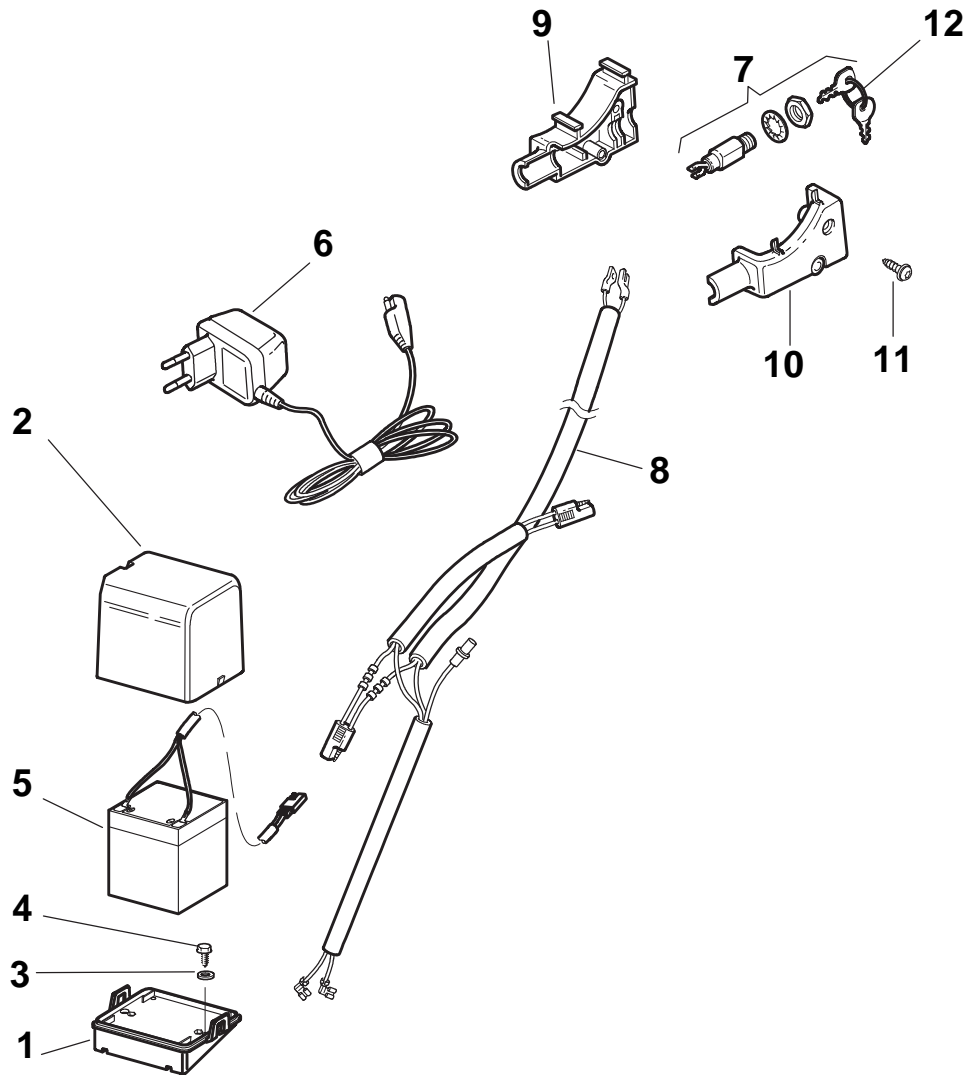
N.	CODE	Q.TY	DESCRIZIONE	DESCRIPTION	DESCRIPTION	BESCHREIBUNG	REMARK
13	81000672/0	1	Cavo Comando Trazione	Cable, Rear Drive	Câble, Commande Traction	Kabel, Antrieb	(Bi Ci Di)
14	81007110/0	1	Cavo Comando Marce	Cable, Speed Drive Control	Cable, Comm. Changement Vitesse	Kabel, Gangeschaltun	534 4S
15	22399809/0	1	Manopolina	Knob	Poignée	Griff	
16	12728300/0	1	Vite	Screw	Vis	Schraube	
17	12728702/0	2	Vite	Screw	Vis	Schraube	



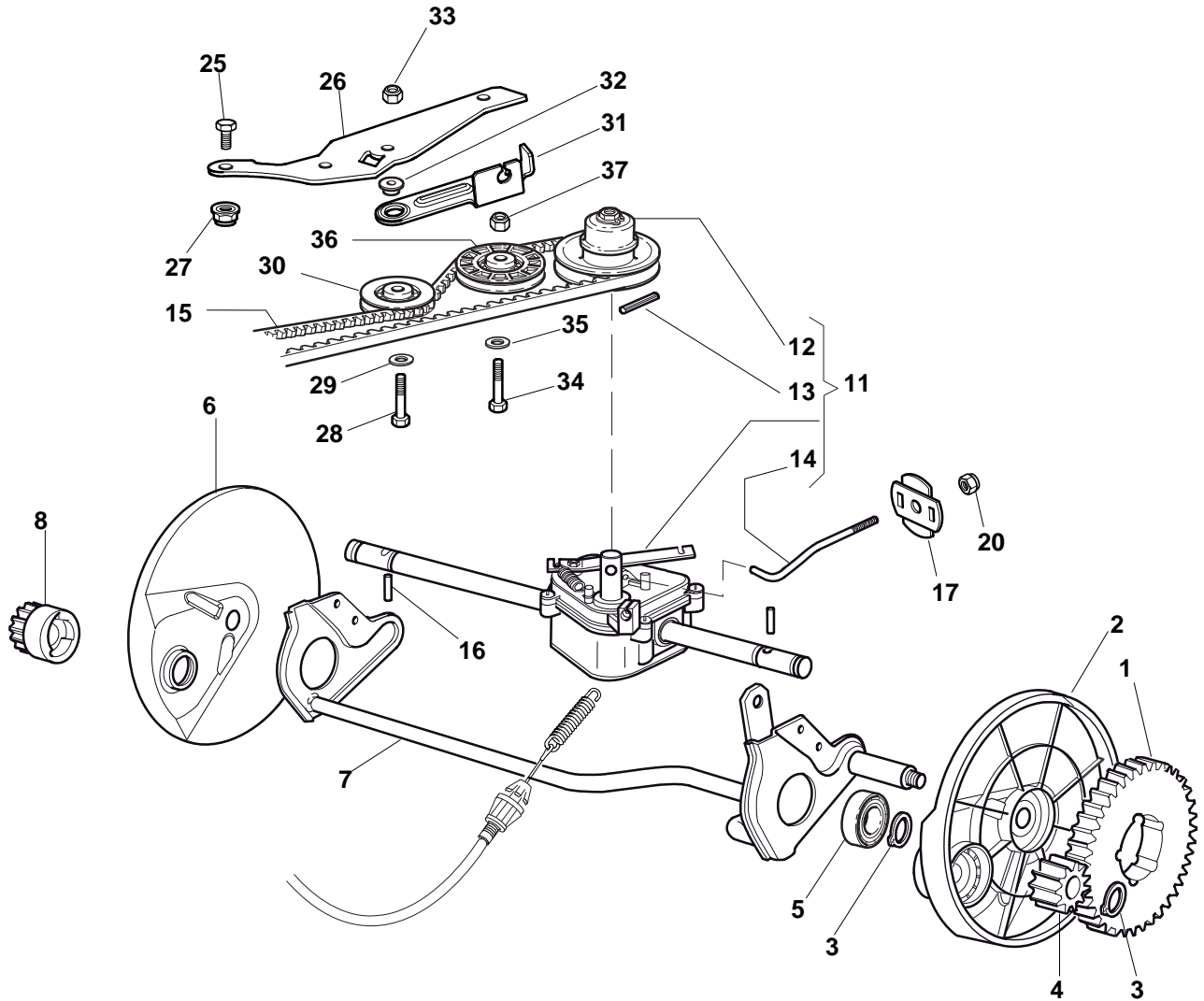
N.	CODE	Q.TY	DESCRIZIONE	DESCRIPTION	DESCRIPTION	BESCHREIBUNG	REMARK
1	81006979/2	1	Manico, Parte Sup	Handle, Upper Part	Mancheron, Partie Superieure	Holm, Oberteil	
2	12689500/0	1	Vite	Screw	Vis	Schraube	
3	22551640/0	1	Piastrina	Plate	Plaquette	Plättchen	
4	381000709/2	1	Cavo Comando Trazione	Cable, Rear Drive	Câble, Comm. Traction	Kabel, Antrieb	
5	81003297/1	1	Leva Trazione	Driving Lever	Levier Traction	Antriebhebel	
6	181030011/0	1	Cavo Freno Motore	Cable, Thread Engine Brake	Cable Frein Moteur	Kabel, Motorbremse	534 W TR (B&S 700 Series DOV)
6	81000657/0	1	Cavo Freno Motore	Cable, Thread Eng. Brake	Cable Frein Moteur	Kabel, Motorbremse	534 W TR (B&S 500 Series)
6	81000657/0	1	Cavo Freno Motore	Cable, Thread Eng. Brake	Cable Frein Moteur	Kabel, Motorbremse	534 W TR (GGP 196cc)
6	81000657/0	1	Cavo Freno Motore	Cable, Thread Eng. Brake	Cable Frein Moteur	Kabel, Motorbremse	534 W TR (GGP 160cc)
6	81000657/0	1	Cavo Freno Motore	Cable, Thread Eng. Brake	Cable Frein Moteur	Kabel, Motorbremse	534 W TR (GGP 140cc)
6	81000743/0	1	Cavo Freno Motore	Cable, Thread Eng. Brake	Cable Frein Moteur	Kabel, Motorbremse	534 W TR (GGP 150cc)
6	81000754/0	1	Cavo Freno Motore	Cable, Thread Engine Brake	Cable Frein Moteur	Kabel, Motorbremse	534 W TR (B&S 625-675 Series)
6	81000754/0	1	Cavo Freno Motore	Cable, Thread Engine Brake	Cable Frein Moteur	Kabel, Motorbremse	534 W TR (Honda Gcv 135-160-190)
7	81003298/1	1	Leva Freno Motore	Lever, Engine Brake	Levier Frein Moteur	Hebel, Motorbremse	
8	12154510/0	1	Dado	Nut	Ecrou	Mutter	
14	81007110/0	1	Cavo Comando Marce	Cable, Speed Drive Control	Cable, Comm. Changement Vitesse	Kabel, Gängeschaltun	534 4S
15	22399809/0	1	Manopolina	Knob	Poignée	Griff	
16	12728300/0	1	Vite	Screw	Vis	Schraube	
17	12728702/0	2	Vite	Screw	Vis	Schraube	



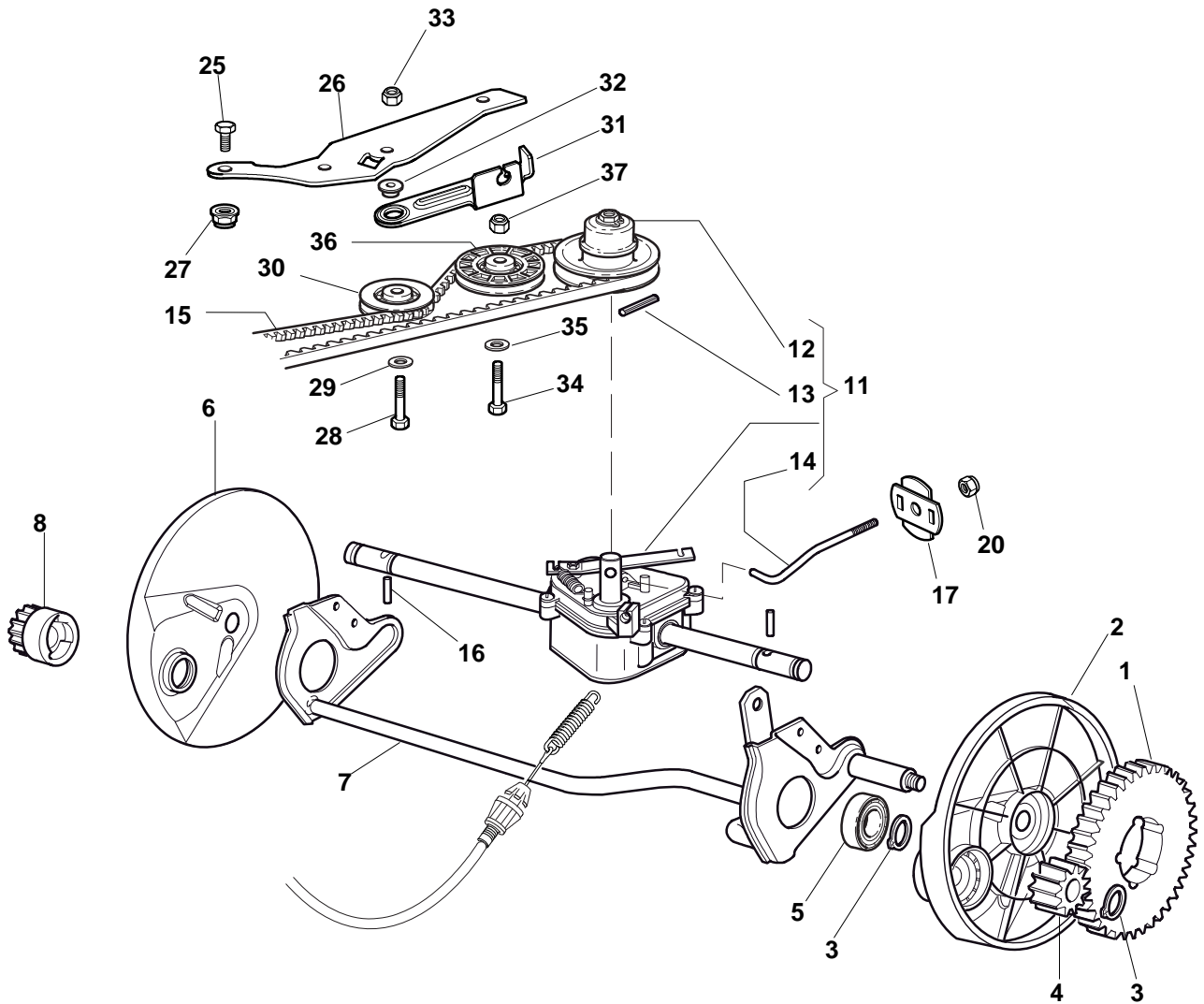
N.	CODE	Q.TY	DESCRIZIONE	DESCRIPTION	DESCRIPTION	BESCHREIBUNG	REMARK
1	12291000/0	1	Dado	Nut	Ecrou	Mutter	
2	12581500/0	1	Grower	Grower	Grower	Federring	
3	22171005/0	1	Distanziale	Spacer	Entretoise	Distanzring	
4	12521360/0	1	Rosetta	Washer	Rondelle	Scheibe	
5	12508100/0	1	Rosetta Elastica	Spring Washer	Rondelle Elastique	Elastische Scheibe	
6	81007220/0	1	Leva, Acceleratore	Lever, Throttle	Levier, Accelérateur	Hebel, Beshleuniger	(B&S 450-500 Series - GGP 150 cc)
6	81007279/1	1	Leva, Acceleratore	Lever, Throttle	Levier, Accelérateur	Hebel, Beshleuniger	(B&S 625-675-700 Series - Honda - GGP 140-160-196 cc)
7	81007080/0	1	Cavo Acceleratore	Throttle Cable	Cable, Accelérateur	Gashebel Kabel	
8	12815000/0	1	Vite	Screw	Vis	Schraube	
9	114356905/0	1	Etichetta	Label	Etiquette	Etikette	(B&S 700 series DOV)
9	114356905/0	1	Etichetta	Label	Etiquette	Etikette	(Honda GCV 160-190 Autochoke)
9	114364264/0	1	Etichetta	Label	Etiquette	Etikette	AVS (GGP 160-196)
9	14356702/0	1	Etichetta	Label	Etiquette	Etikette	(Honda)
9	14356702/0	1	Etichetta	Label	Etiquette	Etikette	(GGP)
9	14356703/0	1	Etichetta	Label	Etiquette	Etikette	(B&S)



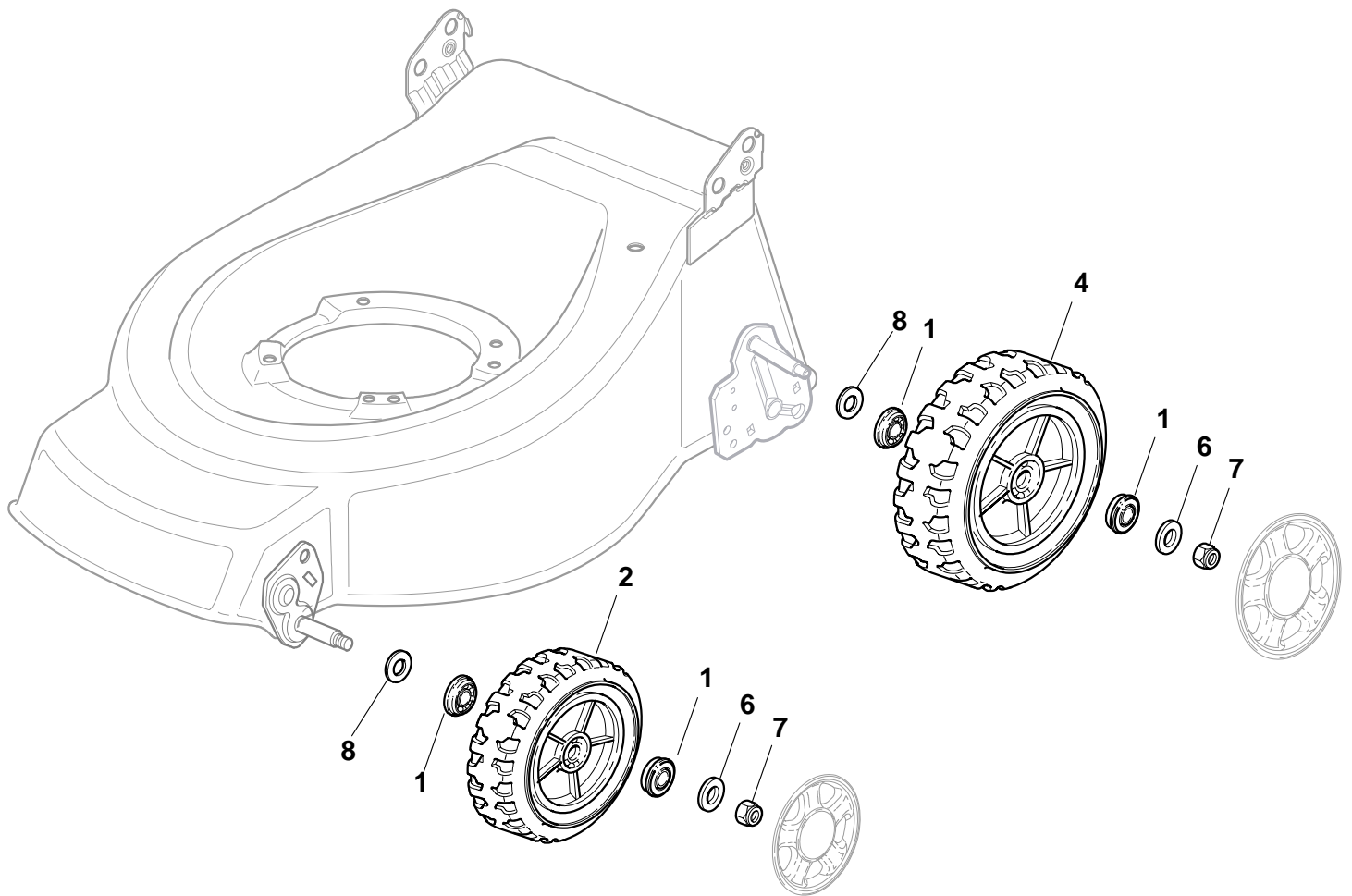
N.	CODE	Q.TY	DESCRIZIONE	DESCRIPTION	DESCRIPTION	BESCHREIBUNG	REMARK
1	22785123/0	1	Supporto Batteria	Support, Battery	Support Batterie	Halter, Batterie	
2	22109530/0	1	Coperchio	Cover	Couvercle	Deckel	
3	12521310/0	2	Rondella	Washer	Rondelle	Scheibe	
4	12731590/0	2	Vite	Screw	Vis	Schraube	
5	18120052/0	1	Batteria	Battery	Batterie	Batterie	
6	18204120/0	1	Carica Batteria	Battery Charger	Chargeur De	Ladgerät	(CE)
6	18204121/0	1	Carica Batteria	Battery Charger	Chargeur De	Ladgerät	(UK)
7	18450050/0	1	Interruttore	Switch	Interrupteur	Schalter	
8	118204192/3	1	Cavo Avviamento	Cable, Start	Cable Démarrage	Kabel, Start	(B&S - GGP)
8	18204198/0	1	Cavo Avviamento	Cable, Start	Cable Démarrage	Kabel, Start	(Honda)
9	22722804/0	1	Protezione Dx	R Protection	Protection D	Rechte Schutz	
10	22722805/0	1	Protezione Sx	L Protection	Protection G	Linke Schutz	
11	12728300/0	1	Vite	Screw	Vis	Schraube	
12	18210016/1	1	Chiave Avviamento	Starting Key	Clef A Demarrage	Schlüssel Für Start	



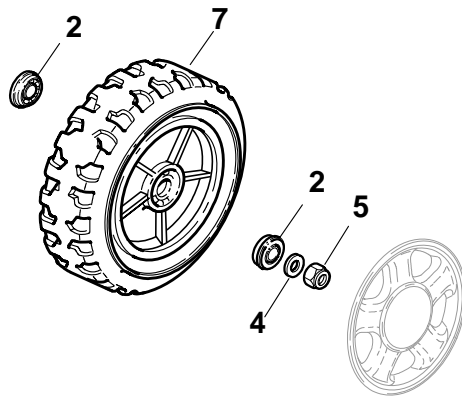
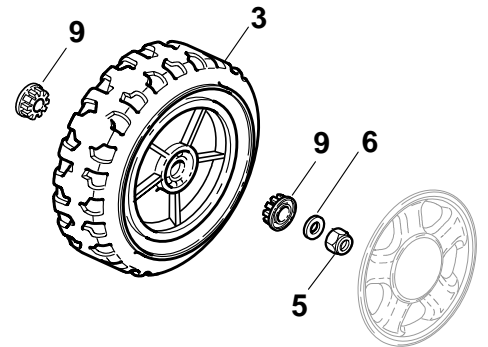
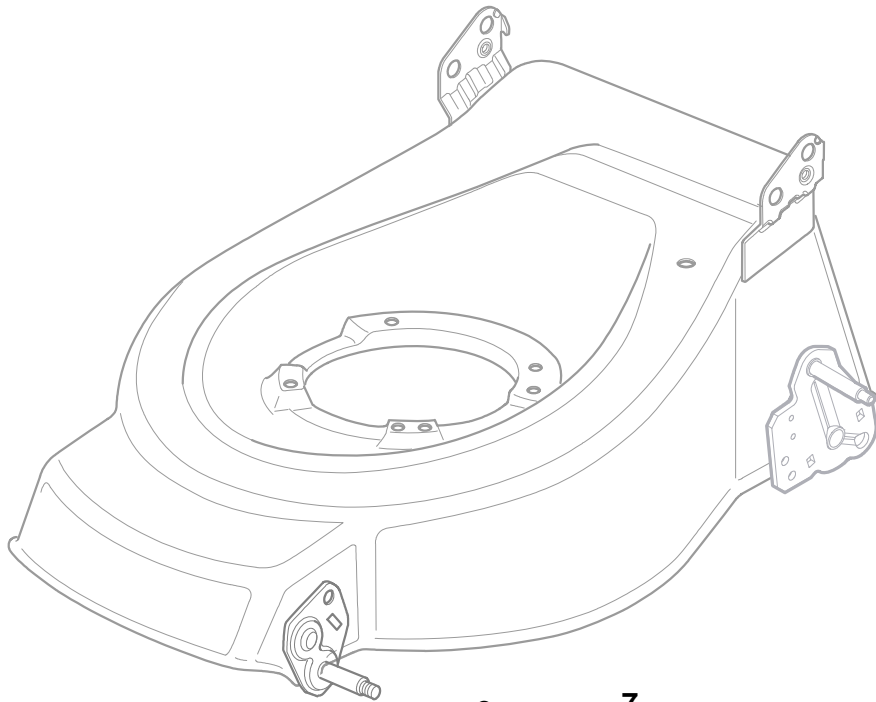
N. CODE	Q.TY	DESCRIZIONE	DESCRIPTION	DESCRIPTION	BESCHREIBUNG	REMARK	
1	22120105/1	2	Corona	Ring Gear	Couronne	Kranz	
2	22600093/0	1	Prot. Ruote Dx	Protection, R Wheel	Protection Roue D	Schütz, Rechtes	
3	12608600/0	4	Seeger	Seeger	Seeger	Seeger	
4	22570120/1	1	Pignone Sx	Pinion L	Pignon G	Ritzel Linkes	
5	19216035/0	2	Cuscinetto	Bearing	Coussinet	Lager	
6	22600092/0	1	Prot. Ruote Sx	Protection, L Wheel	Protection Roue G	Schütz, Linkes	
7	81000147/0	1	Asse Ruote Posteriori	Axle, Rear Wheels	Axe Roues Arriere	Achse, Hinterrad	
8	22570110/1	1	Pignone Dx	Pinion R	Pignon D	Ritzel Rechtes	
11	181003102/0	1	Gruppo Trazione	Gear Box	Groupe Traction	Antrieb	(General Transmission)
12	122601925/0	1	Puleggia	Pulley	Poulie	Riemenscheibe	
13	12645700/0	1	Spina	Pin	Goupille	Stift	
14	22033285/0	1	Asta Regolazione	Adjustment Rod	Tige Reglage	Verstellungstange	(General Transmission)
15	35064010/0	1	Cinghia	Belt	Courroie	Riemen	
16	22753000/0	2	Spina	Pin	Goupille	Stift	
17	22675113/0	2	Rosetta	Washer	Rondelle	Scheibe	
20	12154510/0	1	Dado	Nut	Ecrou	Mutter	
25	12791011/0	1	Vite	Screw	Vis	Schraube	
26	322806625/1	1	Supporto	Support	Support	Halter	
27	12292102/0	1	Dado	Nut	Ecrou	Mutter	
28	12689500/0	1	Vite	Screw	Vis	Schraube	
29	12523050/0	1	Rosetta	Washer	Rondelle	Scheibe	
30	22601915/0	1	Puleggia	Pulley	Poulie	Riemenscheibe	
31	22806623/0	1	Supporto	Support	Support	Halter	
32	22671656/0	1	Rosetta	Washer	Rondelle	Scheibe	
33	12154510/0	1	Dado	Nut	Ecrou	Mutter	
34	12674700/0	1	Vite	Screw	Vis	Schraube	
35	12523050/0	1	Rosetta	Washer	Rondelle	Scheibe	



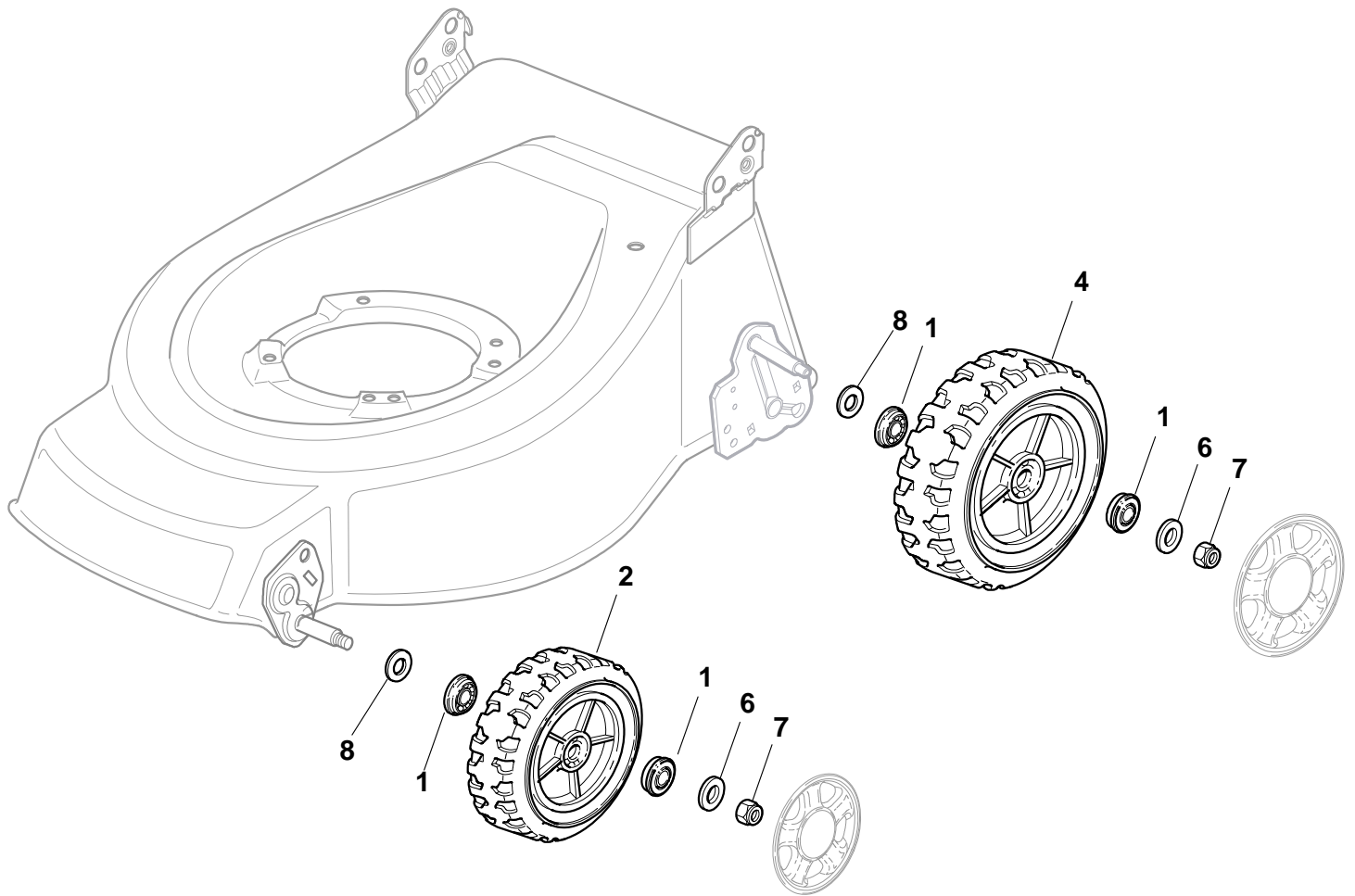
N. CODE	Q.TY	DESCRIZIONE	DESCRIPTION	DESCRIPTION	BESCHREIBUNG	REMARK	
36	22601914/0	1	Puleggia	Pulley	Poulie	Riemenscheibe	
37	12154510/0	1	Dado	Nut	Ecrou	Mutter	



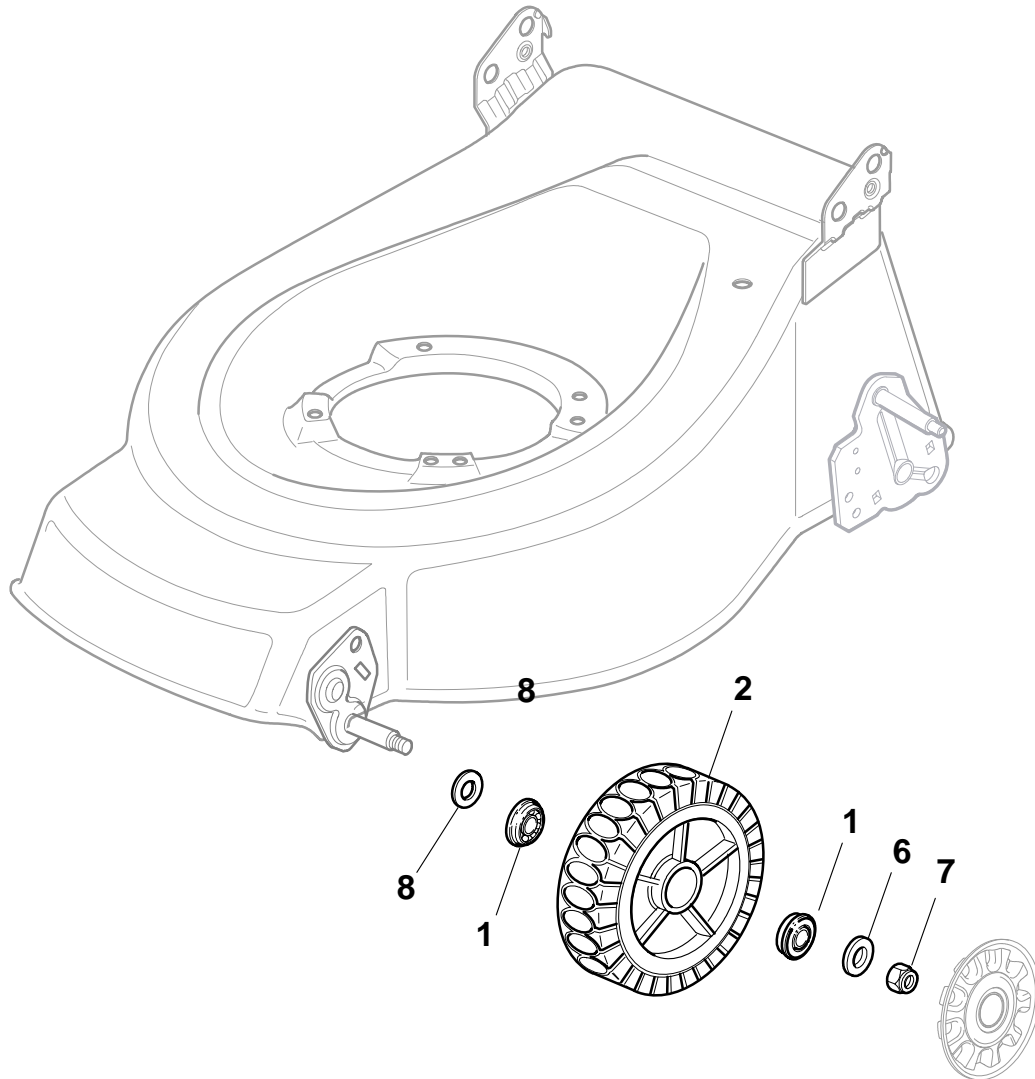
N.	CODE	Q.TY	DESCRIZIONE	DESCRIPTION	DESCRIPTION	BESCHREIBUNG	REMARK
1	22122200/0	8	Cuscinetto	Bearing	Coussinet	Lager	
2	81007351/0	2	Ruota Ø 170	Wheel, Ø 170	Roue Ø 170	Rad Ø 170	
4	81007343/0	2	Ruota Ø 210	Wheel Ø 210	Roue Ø 210	Rad. Ø 210	
6	12523060/0	4	Rosetta	Washer	Rondelle	Scheibe	
7	12155000/0	4	Dado	Nut	Ecrou	Mutter	
8	12530150/0	4	Rosetta Elastica	Elastic Washer	Rondelle Elastique	Elastische Scheibe	



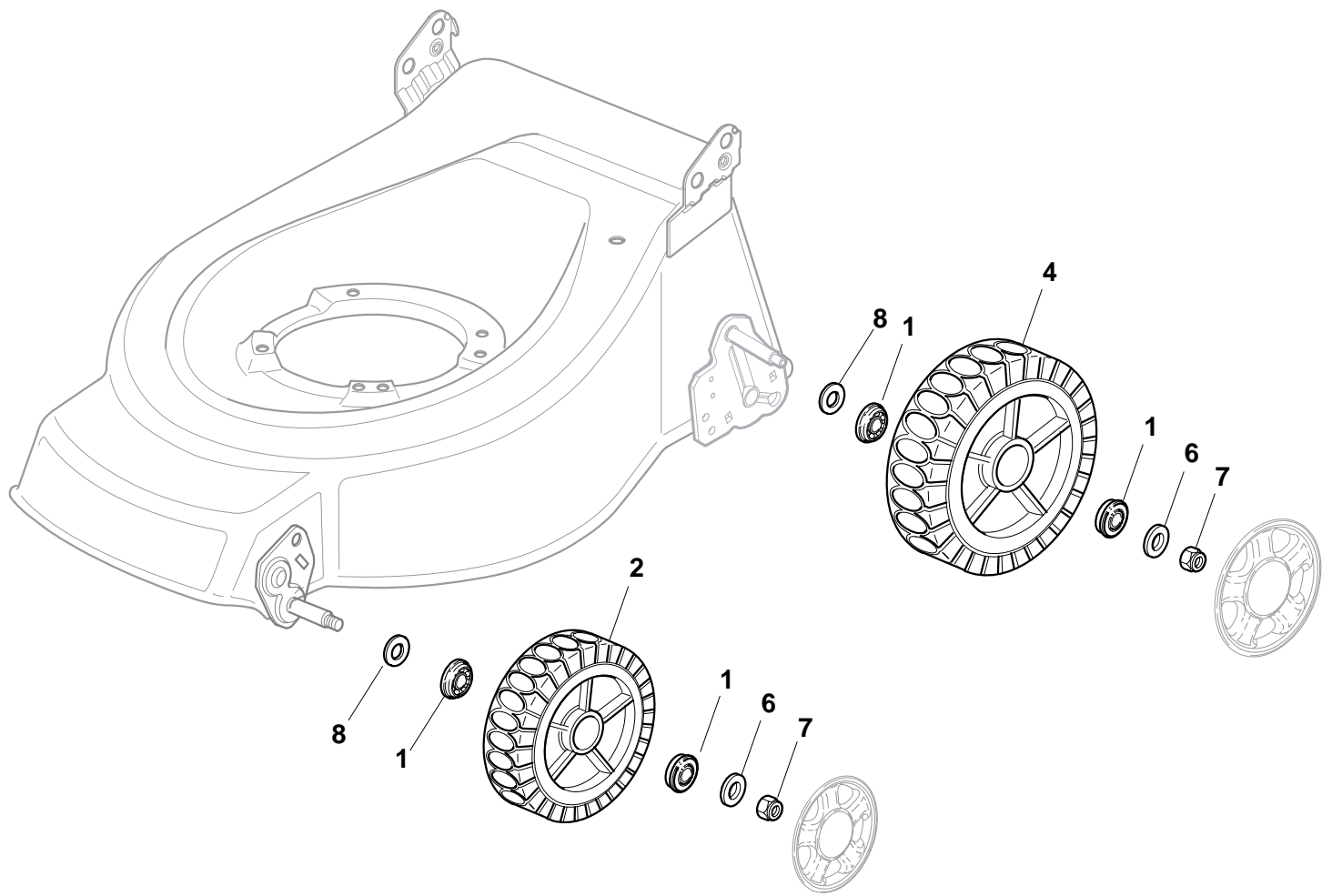
N. CODE	Q.TY	DESCRIZIONE	DESCRIPTION	DESCRIPTION	BESCHREIBUNG	REMARK	
2	22122200/0	2	Cuscinetto	Bearing	Coussinet	Lager	
3	81007343/0	2	Ruota Ø 210	Wheel Ø 210	Roue Ø 210	Rad. Ø 210	
4	12369500/0	4	Rosetta Elastica	Elastic Washer	Rondelle Elastique	Elastische Scheibe	
5	12155000/0	4	Dado	Nut	Ecrou	Mutter	
6	12523060/0	4	Rosetta	Washer	Rondelle	Scheibe	
7	381007420/1	2	Ruota Ø 170	Wheel Ø 170	Roue Ø 170	Rad Ø 170	
9	22034508/0	4	Bussola	Bush	Douille	Buchse	



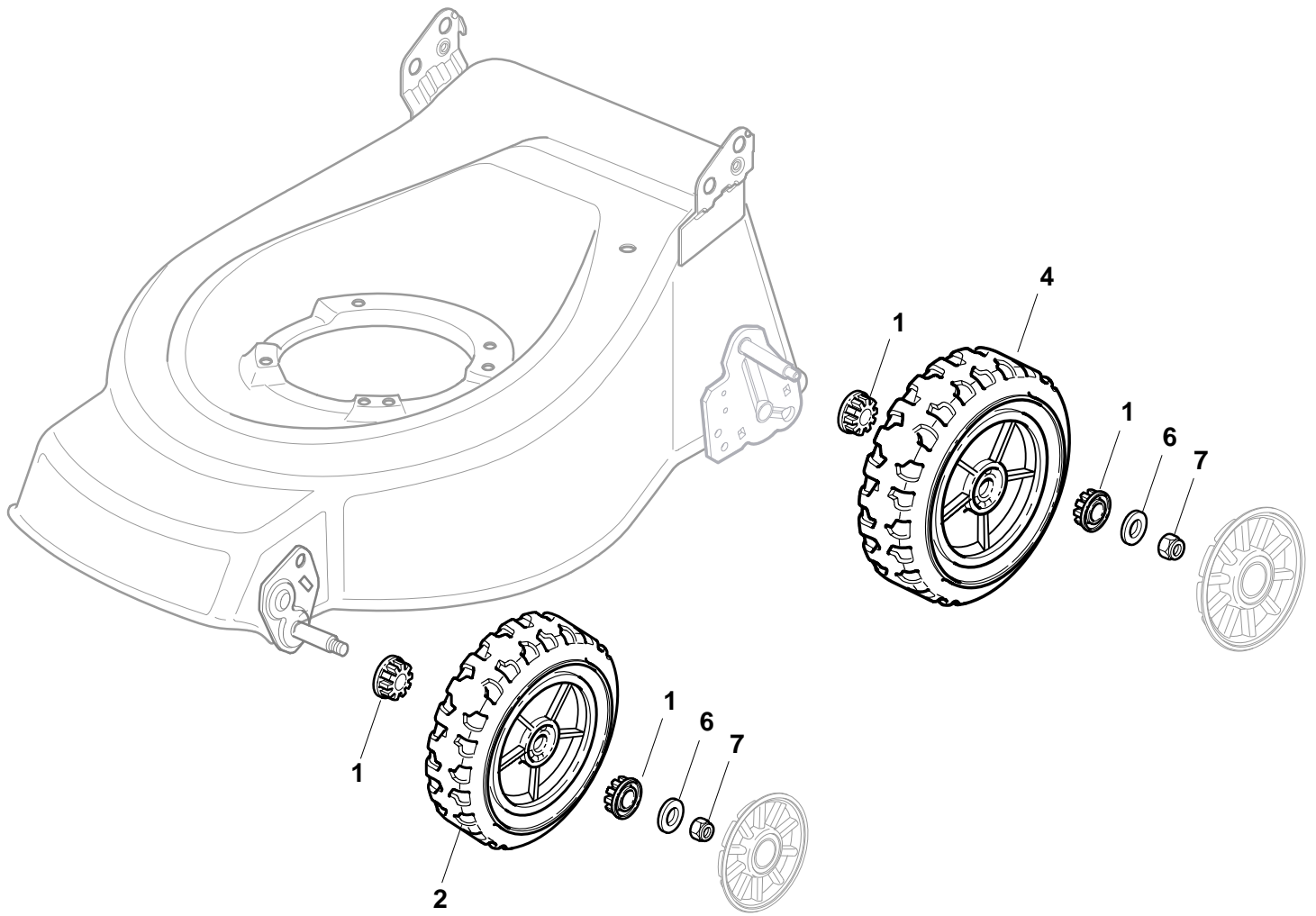
N.	CODE	Q.TY	DESCRIZIONE	DESCRIPTION	DESCRIPTION	BESCHREIBUNG	REMARK
1	22122200/0	8	Cuscinetto	Bearing	Coussinet	Lager	
2	381007420/1	2	Ruota Ø 170	Wheel Ø 170	Roue Ø 170	Rad Ø 170	
4	381007390/1	2	Ruota Ø 210	Wheel Ø 210	Roue Ø 210	Rad. Ø 210	
6	12523060/0	4	Rosetta	Washer	Rondelle	Scheibe	
7	12155000/0	4	Dado	Nut	Ecrou	Mutter	
8	12530150/0	4	Rosetta Elastica	Elastic Washer	Rondelle Elastique	Elastische Scheibe	



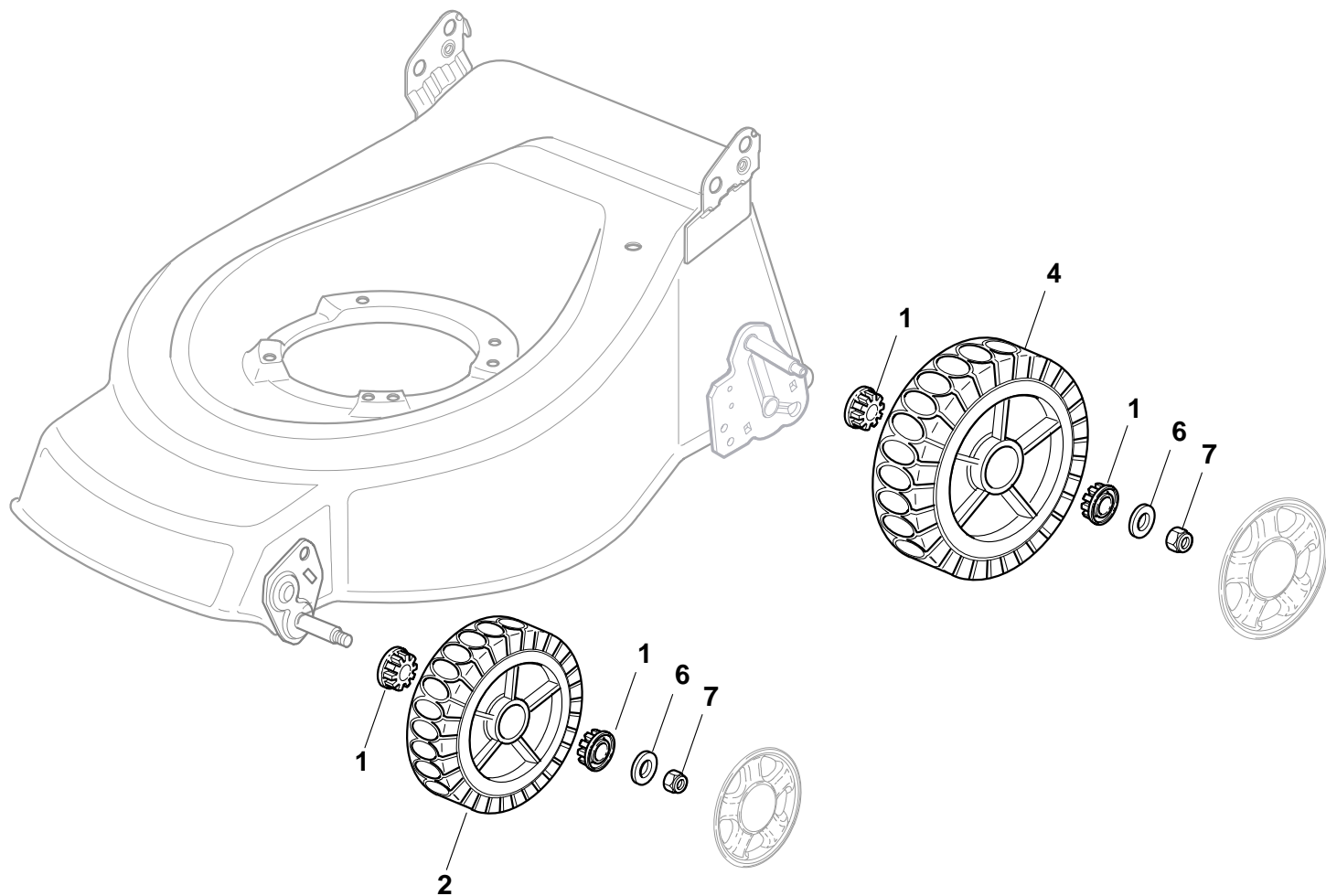
N.	CODE	Q.TY	DESCRIZIONE	DESCRIPTION	DESCRIPTION	BESCHREIBUNG	REMARK
1	22122200/0	8	Cuscinetto	Bearing	Coussinet	Lager	
2	81007336/0	4	Ruota Scolpita Ø 170	Wheel, Knobbly Ø 170	Roue Sculptee Ø 170	Rad M. Stollenpr. Ø 170	
6	12523060/0	4	Rosetta	Washer	Rondelle	Scheibe	
7	12155000/0	4	Dado	Nut	Ecrou	Mutter	
8	12530150/0	4	Rosetta Elastica	Elastic Washer	Rondelle Elastique	Elastische Scheibe	



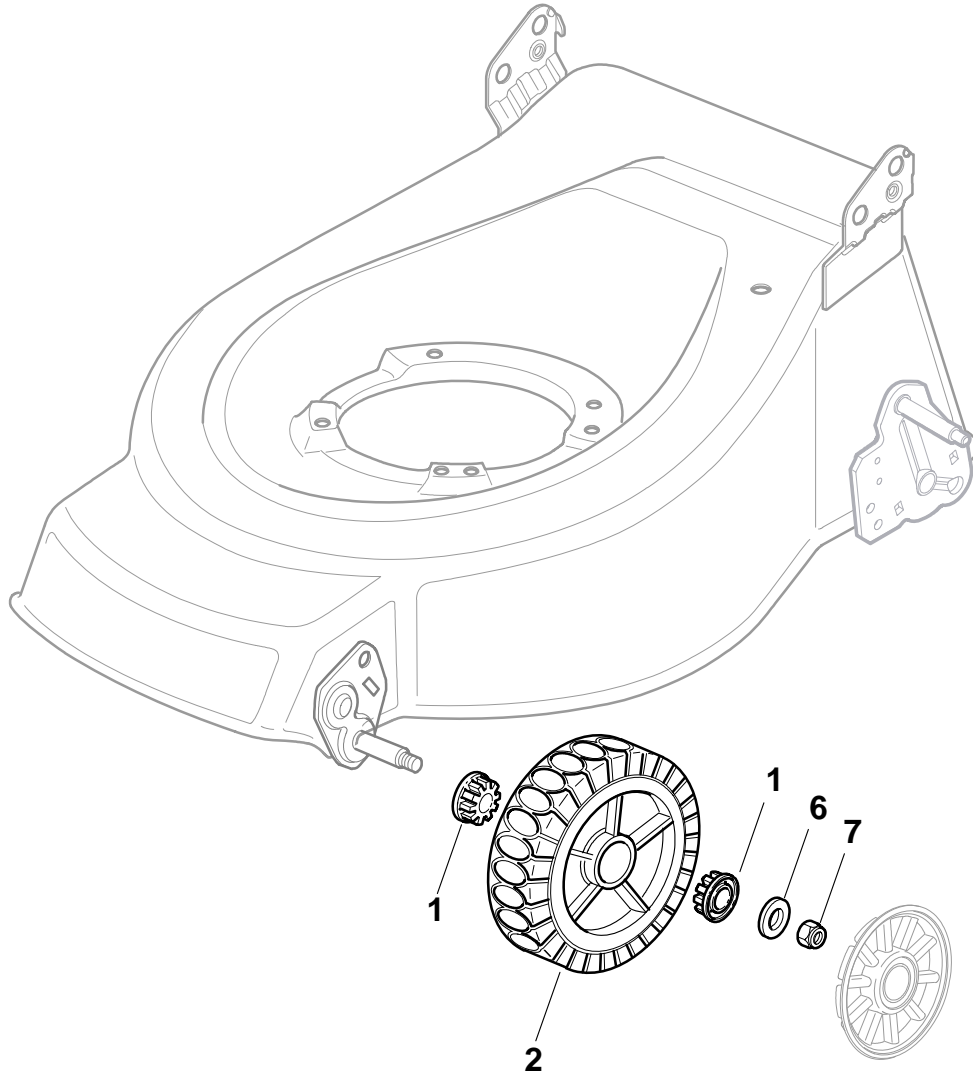
N.	CODE	Q.TY	DESCRIZIONE	DESCRIPTION	DESCRIPTION	BESCHREIBUNG	REMARK
1	22122200/0	8	Cuscinetto	Bearing	Coussinet	Lager	
2	81007336/0	2	Ruota Scolpita Ø 170	Wheel, Knobby Ø 170	Roue Sculptee Ø 170	Rad M. Stollenpr. Ø 170	
4	81007337/0	2	Ruota Scolpita Ø 210	Wheel, Knobby Ø 210	Roue Sculptee Ø 210	Rad M. Stollenpr. Ø 210	
6	12523060/0	4	Rosetta	Washer	Rondelle	Scheibe	
7	12155000/0	4	Dado	Nut	Ecrou	Mutter	
8	12530150/0	4	Rosetta Elastica	Elastic Washer	Rondelle Elastique	Elastische Scheibe	



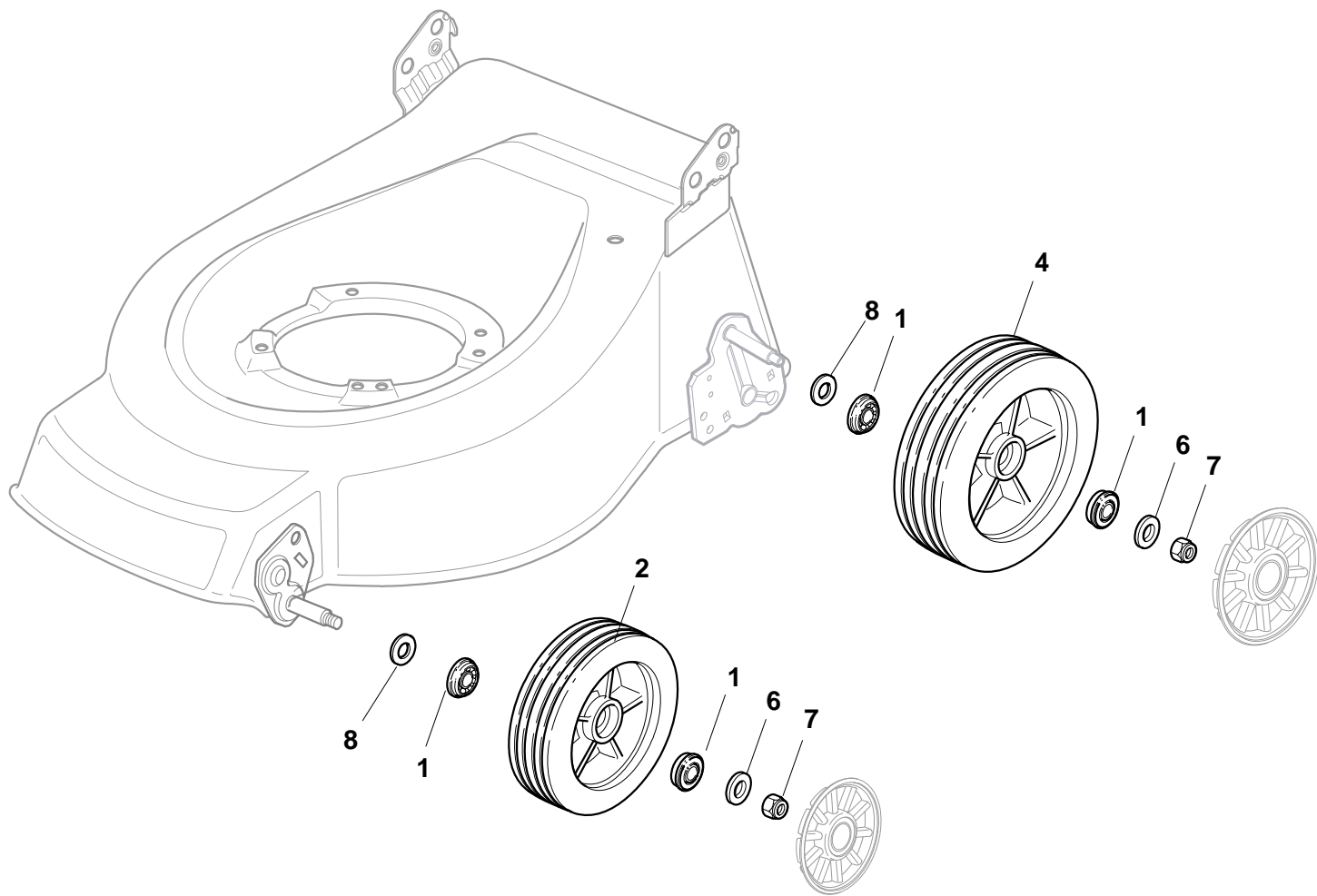
N.	CODE	Q.TY	DESCRIZIONE	DESCRIPTION	DESCRIPTION	BESCHREIBUNG	REMARK
1	22034508/0	8	Bussola	Bush	Douille	Buchse	
2	81007351/0	2	Ruota Ø 170	Wheel, Ø 170	Roue Ø 170	Rad Ø 170	
4	81007343/0	2	Ruota Ø 210	Wheel Ø 210	Roue Ø 210	Rad. Ø 210	
6	12523060/0	4	Rosetta	Washer	Rondelle	Scheibe	
7	12155000/0	4	Dado	Nut	Ecrou	Mutter	



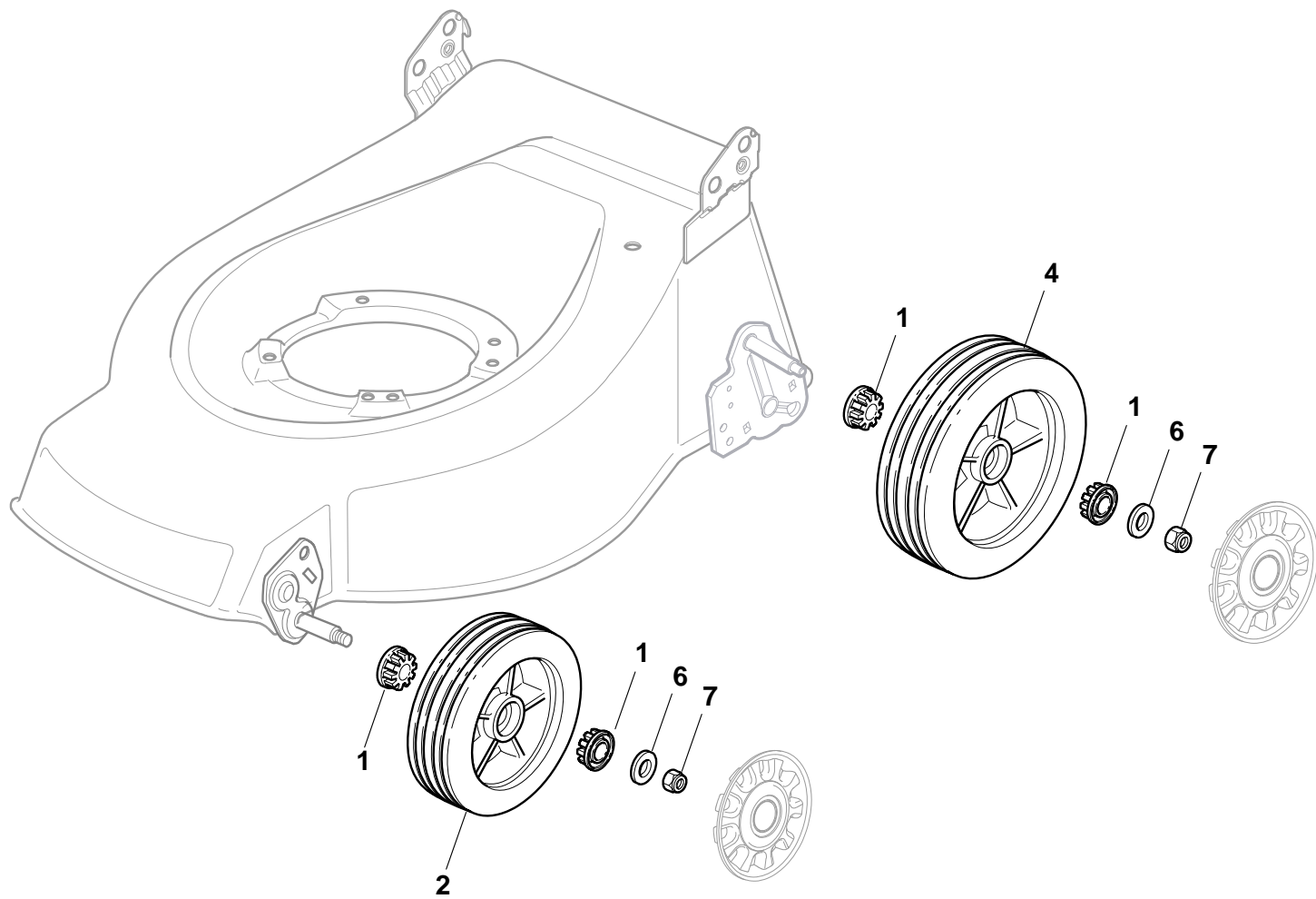
N. CODE	Q.TY	DESCRIZIONE	DESCRIPTION	DESCRIPTION	BESCHREIBUNG	REMARK	
1	22034508/0	8	Bussola	Bush	Douille	Buchse	
2	81007336/0	2	Ruota Scolpita Ø 170	Wheel, Knobby Ø 170	Roue Sculptee Ø 170	Rad M. Stollenpr. Ø 170	
4	81007337/0	2	Ruota Scolpita Ø 210	Wheel, Knobby Ø 210	Roue Sculptee Ø 210	Rad M. Stollenpr. Ø 210	
6	12523060/0	4	Rosetta	Washer	Rondelle	Scheibe	
7	12155000/0	4	Dado	Nut	Ecrou	Mutter	



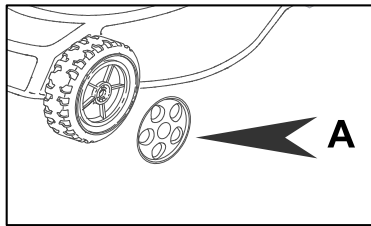
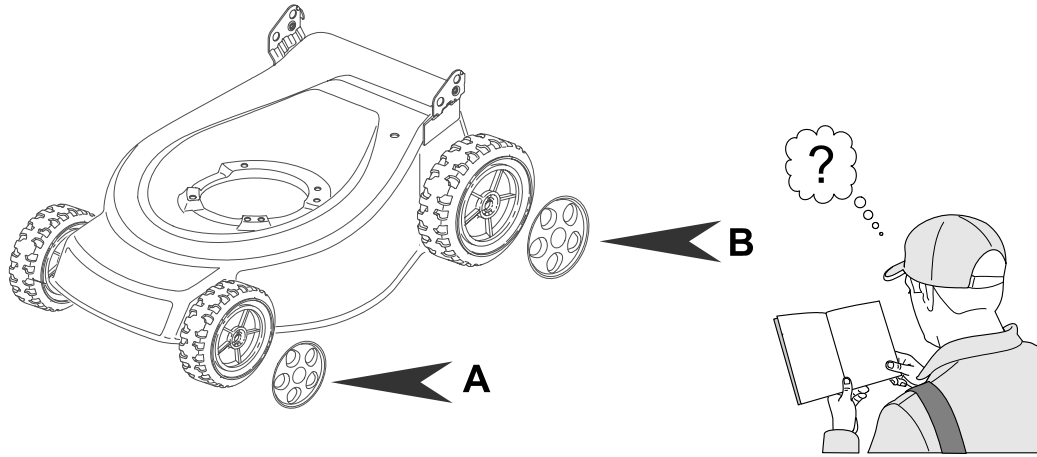
N.	CODE	Q.TY	DESCRIZIONE	DESCRIPTION	DESCRIPTION	BESCHREIBUNG	REMARK
1	22034508/0	8	Bussola	Bush	Douille	Buchse	
2	81007336/0	4	Ruota Scolpita Ø 170	Wheel, Knobbly Ø 170	Roue Sculptee Ø 170	Rad M. Stollenpr. Ø 170	
6	12523060/0	4	Rosetta	Washer	Rondelle	Scheibe	
7	12155000/0	4	Dado	Nut	Ecrou	Mutter	



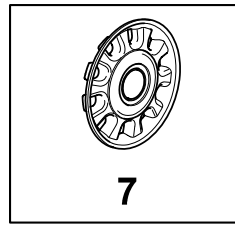
N.	CODE	Q.TY	DESCRIZIONE	DESCRIPTION	DESCRIPTION	BESCHREIBUNG	REMARK
1	22122200/0	8	Cuscinetto	Bearing	Coussinet	Lager	
2	81007326/0	2	Ruota Rigata Ø 170	Wheel Ø 170	Roue Ø 170	Rad. Ø 170	
4	81007328/0	2	Ruota Rigata Ø 210	Wheel Ø 210	Roue Ø 210	Rad. Ø 210	
6	12523060/0	4	Rosetta	Washer	Rondelle	Scheibe	
7	12155000/0	4	Dado	Nut	Ecrou	Mutter	
8	12530150/0	4	Rosetta Elastica	Elastic Washer	Rondelle Elastique	Elastische Scheibe	



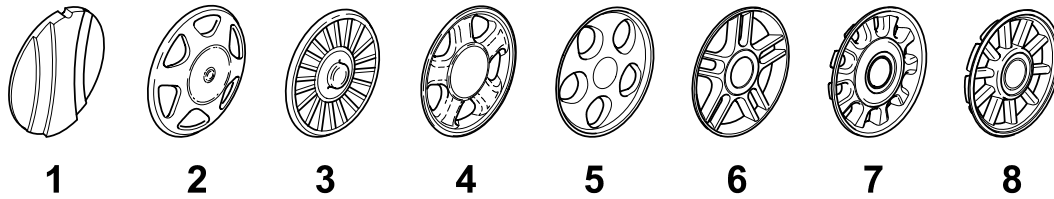
N. CODE	Q.TY	DESCRIZIONE	DESCRIPTION	DESCRIPTION	BESCHREIBUNG	REMARK	
1	22034508/0	8	Bussola	Bush	Douille	Buchse	
2	81007326/0	2	Ruota Rigata Ø 170	Wheel Ø 170	Roue Ø 170	Rad. Ø 170	
4	81007328/0	2	Ruota Rigata Ø 210	Wheel Ø 210	Roue Ø 210	Rad. Ø 210	
6	12523060/0	4	Rosetta	Washer	Rondelle	Scheibe	
7	12155000/0	4	Dado	Nut	Ecrou	Mutter	



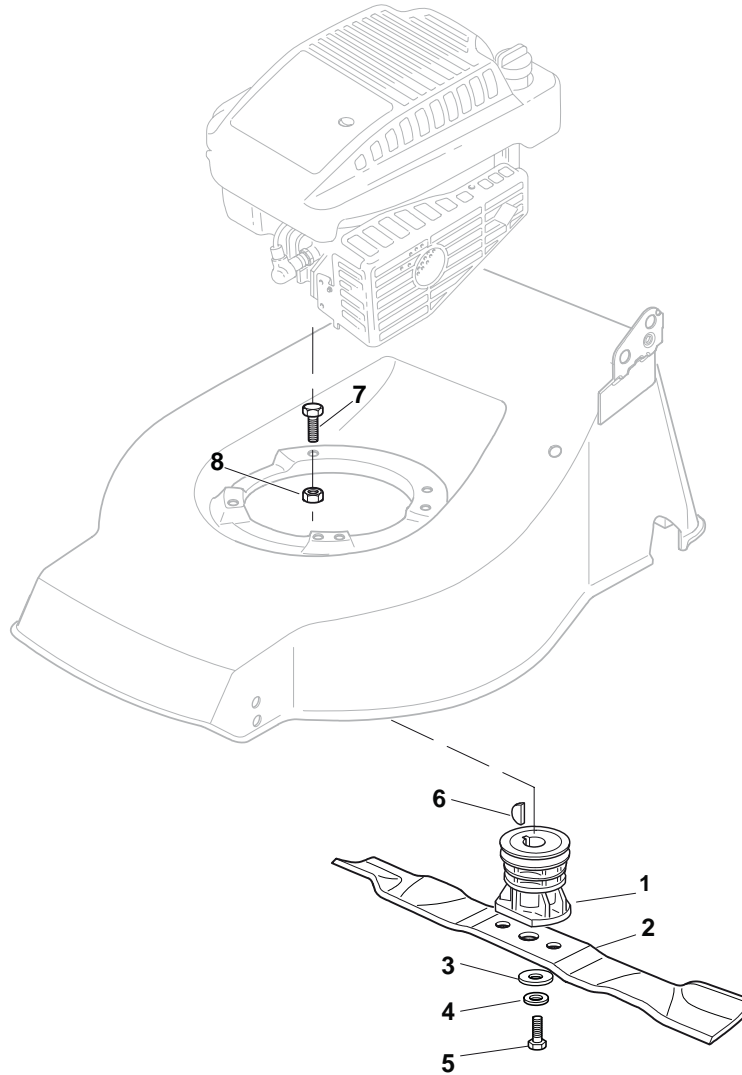
+



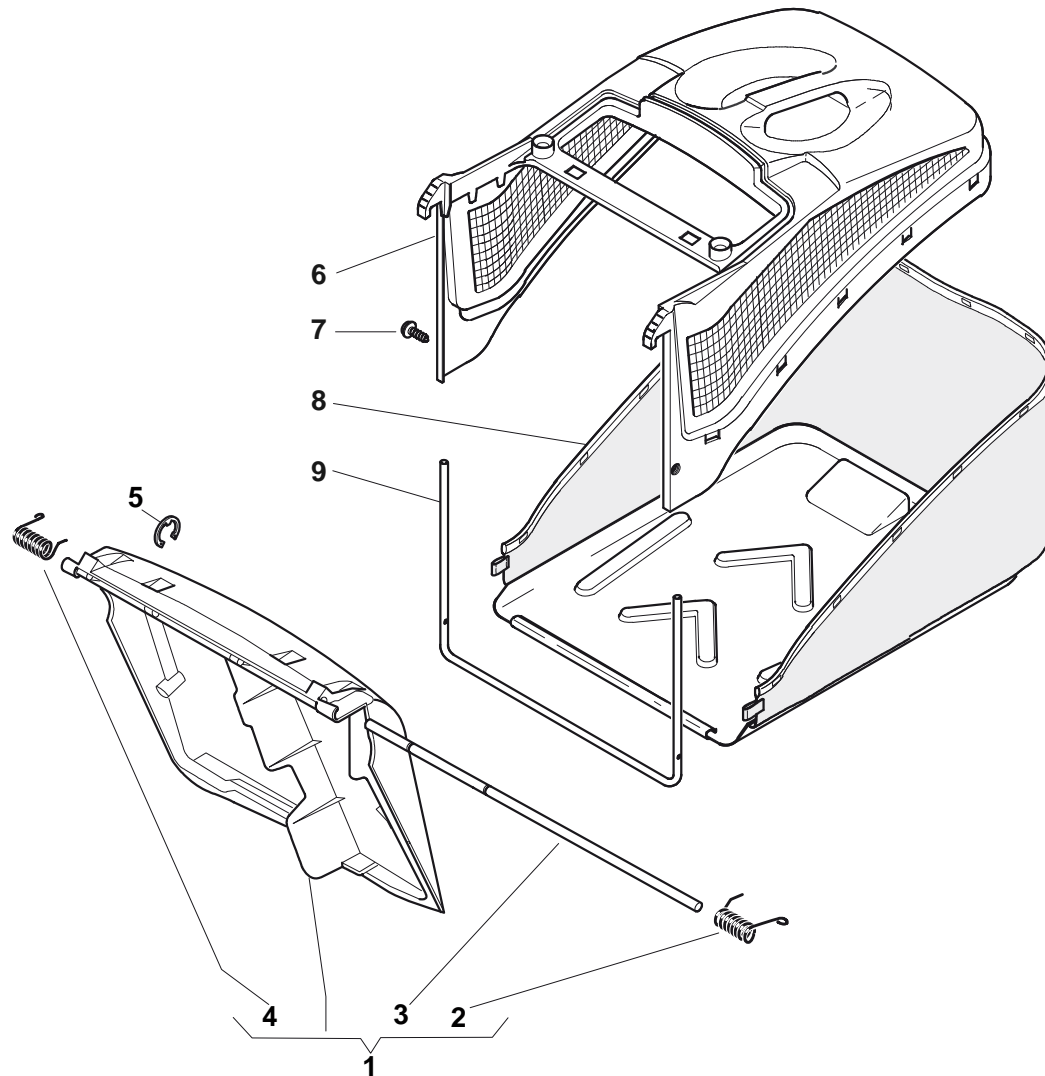
= A7



N. CODE	Q.TY	DESCRIZIONE	DESCRIPTION	DESCRIPTION	BESCHREIBUNG	REMARK	
B1	22110251/0	2	Coprizzo Bianco	Hub Cap White	Couvre-Moyeu	Radkappe Weiße	
A1	22110252/1	2	Coprizzo Bianco	Hub Cap White	Couvre-Moyeu	Radkappe Weiße	
B1	22110253/0	2	Coprizzo Giallo	Hub Cap Yellow	Couvre-Moyeu	Radkappe Gelbe	
A1	22110254/1	2	Coprizzo Giallo	Hub Cap Yellow	Couvre-Moyeu	Radkappe Gelbe	
A1	22110255/1	2	Coprizzo Rosso	Hub Cap Red	Couvre-Moyeu	Radkappe Rote	
B1	22110256/0	2	Coprizzo Rosso	Hub Cap Red	Couvre-Moyeu	Radkappe Rote	
A1	22110381/0	2	Coprizzo Grigio	Hub Cap Grey	Couvre-Moyeu Gris	Radkappe Grau	
B1	22110382/0	2	Coprizzo Grigio	Hub Cap Grey	Couvre-Moyeu Gris	Radkappe Grau	
B2	22110313/0	2	Coprizzo Bianco	Hub Cap White	Couvre-Moyeu	Radkappe Weiße	
B2	22110314/0	2	Coprizzo Grigio	Hub Cap Grey	Couvre-Moyeu Gris	Radkappe Grau	
A2	22110344/0	2	Coprizzo Bianco	Hub Cap White	Couvre-Moyeu	Radkappe Weiße	
A2	22110395/0	2	Coprizzo Grigio	Hub Cap Grey	Couvre-Moyeu Gris	Radkappe Grau	
A3	22110347/0	2	Coprizzo Grigio	Hub Cap Grey	Couvre-Moyeu Gris	Radkappe Grau	
B3	22110348/0	2	Coprizzo Grigio	Hub Cap Grey	Couvre-Moyeu Gris	Radkappe Grau	
A4	22110381/0	2	Coprizzo Grigio	Hub Cap Grey	Couvre-Moyeu Gris	Radkappe Grau	
B4	22110382/0	2	Coprizzo Grigio	Hub Cap Grey	Couvre-Moyeu Gris	Radkappe Grau	
A5	22110416/0	2	Coprizzo Grigio	Hub Cap Grey	Couvre-Moyeu Gris	Radkappe Grau	
B5	22110417/0	2	Coprizzo Grigio	Hub Cap Grey	Couvre-Moyeu Gris	Radkappe Grau	
A6	22110491/0	2	Coprizzo Grigio	Hub Cap Grey	Couvre-Moyeu Gris	Radkappe Grau	
B6	22110492/0	2	Coprizzo Grigio	Hub Cap Grey	Couvre-Moyeu Gris	Radkappe Grau	
A7	22110493/0	2	Coprizzo Grigio	Hub Cap Grey	Couvre-Moyeu Gris	Radkappe Grau	
B7	22110494/0	2	Coprizzo Grigio	Hub Cap Grey	Couvre-Moyeu Gris	Radkappe Grau	
A8	22110495/0	2	Coprizzo Grigio	Hub Cap Grey	Couvre-Moyeu Gris	Radkappe Grau	
B8	22110496/0	2	Coprizzo Grigio	Hub Cap Grey	Couvre-Moyeu Gris	Radkappe Grau	



N.	CODE	Q.TY	DESCRIZIONE	DESCRIPTION	DESCRIPTION	BESCHREIBUNG	REMARK
1	122465607/3	1	Mozzo, Albero Motore Ø 22.2	Hub, Crankshaft Ø 22.2	Moyeu, Arbre Moteur Ø 22.2	Halter, Motorwelle Ø 22.2	(B&S - GGP)
1	122465608/2	1	Mozzo, Albero Motore Ø 25	Hub, Crankshaft Ø 25	Moyeu, Arbre Moteur Ø 25	Halter, Motorwelle Ø 25	(Honda)
2	81004381/1	1	Coltello Standard	Blade Standard	Lame Standard	Messer Standard	534
2	81004381/1	1	Coltello Standard	Blade Standard	Lame Standard	Messer Standard	
2	81004398/0	1	Coltello Alettato	Blade Winged	Lame Ailettée	Messer Flügel	534
2	81004398/0	1	Coltello Alettato	Blade Winged	Lame Ailettée	Messer Flügel	
3	22160400/0	1	Disco Elastico	Elastic Washer	Rondelle Elastique	Elastischescheibe	
4	12523080/0	1	Rosetta	Washer	Rondelle	Scheibe	
5	12735698/0	1	Vite	Screw	Vis	Schraube	
6	12139100/0	1	Linguetta, Albero Motore Ø 22.2	Feather, Crankshaft Ø 22.2	Clavette, Arbre Moteur Ø 22.2	Keil, Motorwelle Ø 22.2	(B&S - GGP)
6	12139150/0	1	Linguetta, Albero Motore Ø 25	Feather, Crankshaft Ø 25	Clavette, Arbre Moteur Ø 25	Keil, Motorwelle Ø 25	(Honda)
7	12691800/0	1	Vite	Screw	Vis	Schraube	
7	12793701/0	3	Vite	Screw	Vis	Schraube	
8	12155000/0	1	Dado	Nut	Ecrou	Mutter	
8	12293201/0	3	Dado	Nut	Ecrou	Mutter	



N.	CODE	Q.TY	DESCRIZIONE	DESCRIPTION	DESCRIPTION	BESCHREIBUNG	REMARK
1	381008021/2	1	Parasassi	Stone-Guard	Pare-Pierres	Prallblech	
2	22450410/1	1	Molla Dx	R Spring	Ressort D	Rechte Feder	
3	22517906/1	1	Perno	Pin	Pivot	Bolzen	
4	22450420/1	1	Molla Sx	L Spring	Ressort G	Linke Feder	
5	12000930/0	1	Anello Elastico	Snap Ring	Anneau Ressort	Sprengring	
6	22486093/0	1	Sacco, Parte Sup	Grass-Box, Upper	Sac, Partie	Korb, Oberteil	
7	12728445/0	2	Vite	Screw	Vis	Schraube	
8	81002195/0	1	Sacco, Tela	Box, Fabric	Sac, Toile	Sack, Tuck	
9	22608523/0	1	Rinforzo Inf	Stiffening Lower	Réinforcement Inf	Verstärkung	