

# Genuine Spare Parts

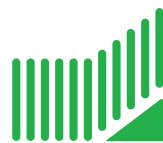
Catalogo delle parti di ricambio  
Spare parts catalogue  
Catalogue des pieces de rechange  
Ersatzteilkatalog

# 2010

- Use GLOBAL GARDEN PRODUCT Genuine Spare Parts specified in the parts list for repair and/or replacement.
- The contents described in the parts list may change due to improvement.
- The drawings of the spare parts are only indicative and might not represent the part in question exactly.
- The indications "right" - "left" - "front" - "rear" refer to the position of the operator when using the machine.
- When placing orders of parts for repair and/or replacement, make sure that the illustrated parts list is the one applying to the machine's year of manufacture, as shown on the identification plate attached to the machine.

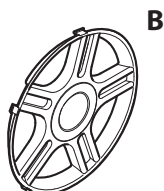
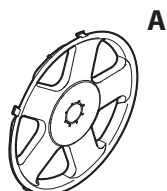
COPYRIGHT by GLOBAL GARDEN PRODUCTS

All rights reserved. No part of this material may be reproduced or transmitted, in any form or by any means, electronic or mechanical, including photocopying, recording or by any information storage and retrieval system, without permission in writing from GLOBAL GARDEN PRODUCTS.



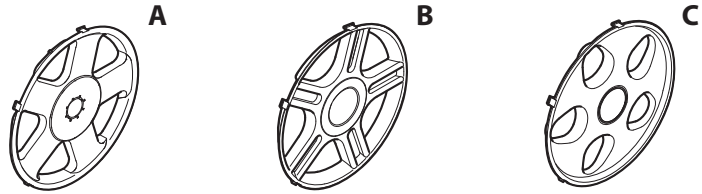
**GLOBAL GARDEN PRODUCTS**

## ENCLOSURE 2



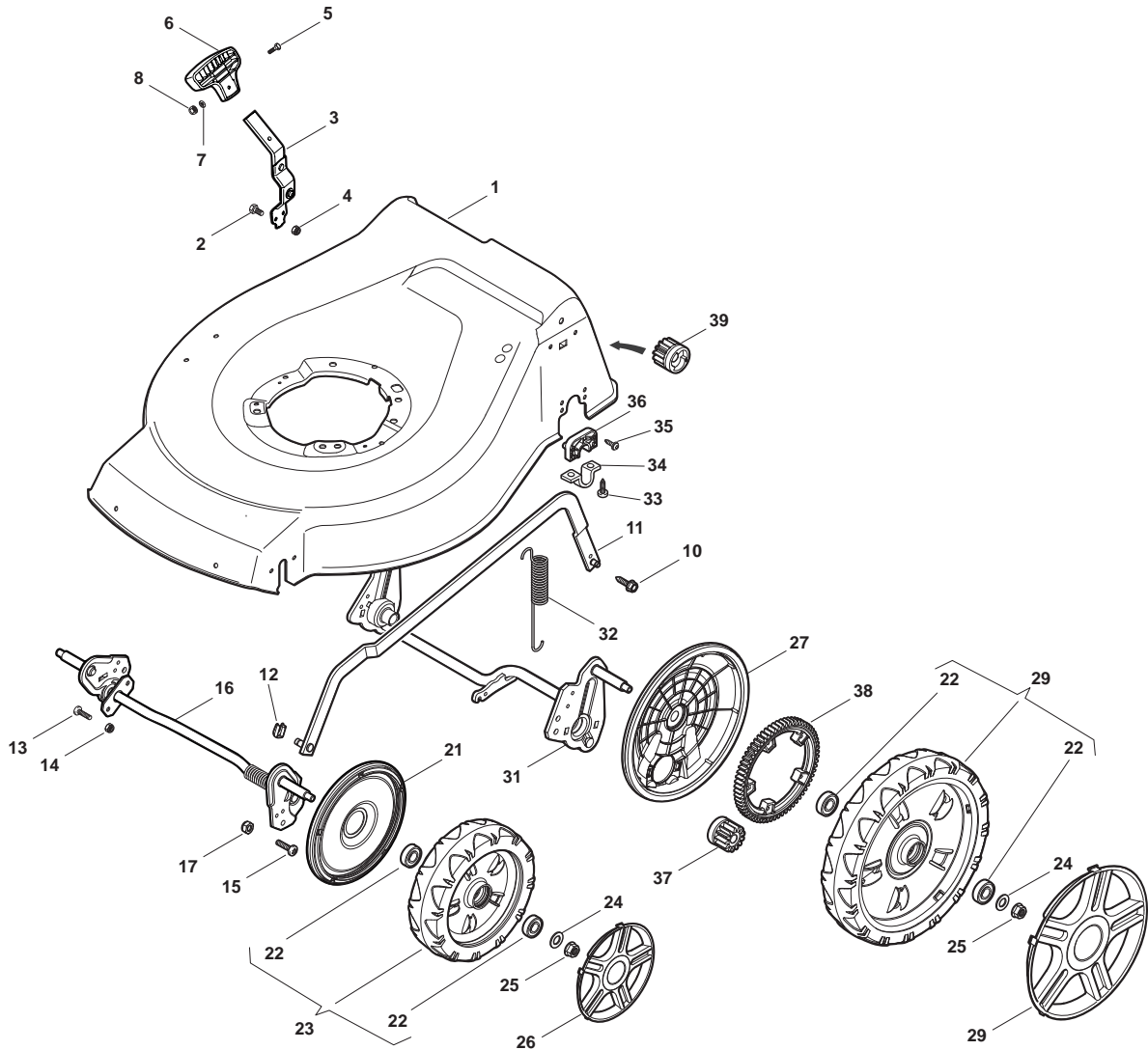
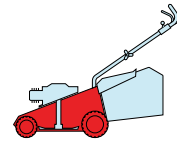
POS.	CODE	Q.TY	DESCRIZIONE	DESCRIPTION	DESCRIPTION	BESCHREIBUNG	REMARKS
A	22110382/0		Coprizzo Grigio	Hub Cap Grey	Couvre-Moyeu Gris	Radkappe Grau	
B	22110492/0		Coprizzo Grigio	Hub Cap Grey	Couvre-Moyeu Gris	Radkappe Grau	
C	22110417/0		Coprizzo Grigio	Hub Cap Grey	Couvre-Moyeu Gris	Radkappe Grau	

## ENCLOSURE 3



POS.	CODE	Q.TY	DESCRIZIONE	DESCRIPTION	DESCRIPTION	BESCHREIBUNG	REMARKS
A	22110511/0		Coprizzo Grigio	Hub Cap Grey	Couvre-Moyeu Gris	Radkappe Grau	
B	322110560/0		Coprizzo Grigio	Hub Cap Grey	Couvre-Moyeu Gris	Radkappe Grau	
C	322110590/0		Coprizzo Grigio	Hub Cap Grey	Couvre-Moyeu Gris	Radkappe Grau	

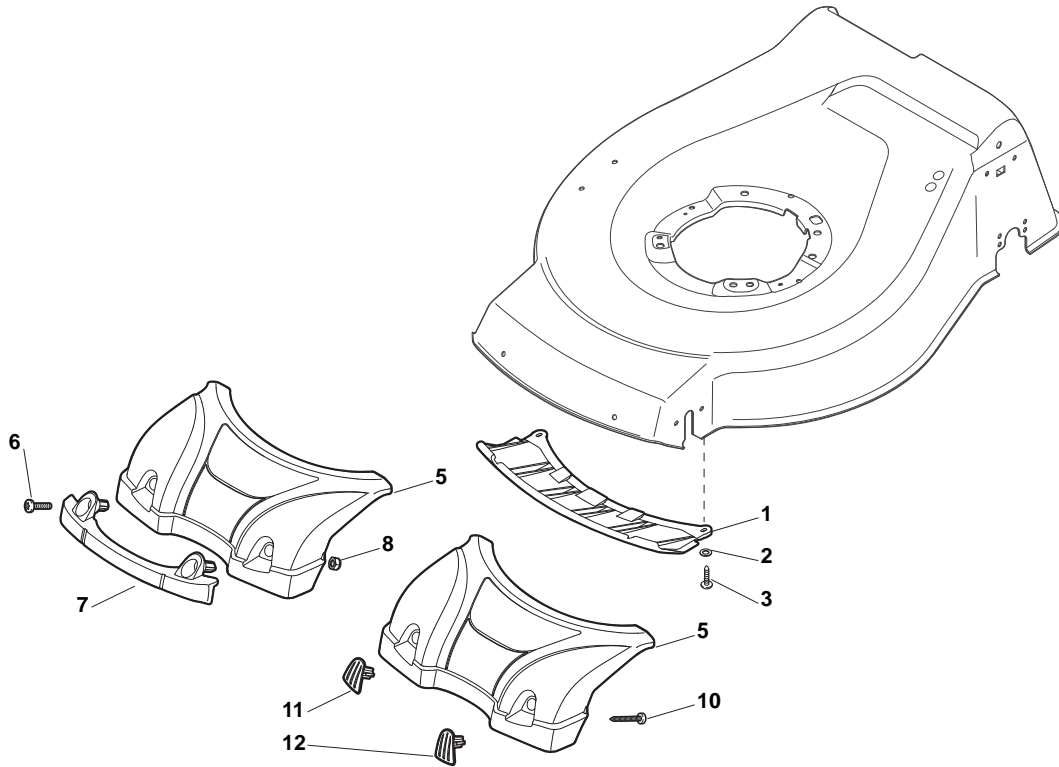
NT		NTL	
484		534	
W TR	W TR/E	W TR 4S	W TR/E 4S



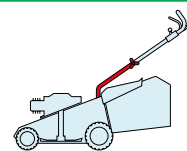
POS.	CODE	Q.TY	DESCRIZIONE	DESCRIPTION	DESCRIPTION	BESCHREIBUNG	REMARKS
1	381003912/0	1	Chassis Rosso	Deck Red	Châssis Rouge	Gehäuse Rot	484
1	381003917/0	1	Chassis Nero	Deck Black	Châssis Noir	Gehäuse Schwarz	484
1	381003911/0	1	Chassis Rosso	Deck Red	Châssis Rouge	Gehäuse Rot	534
1	381003978/0	1	Chassis Grigio	Deck Grey	Châssis Gris	Gehäuse Grau	534
1	381003918/0	1	Chassis Nero	Deck Black	Châssis Noir	Gehäuse Schwarz	534
2	12789000/0	2	Vite	Screw	Vis	Schraube	
3	381003339/1	1	Leva Regolazione Altezza	Lever, Height Adjustment	Levier, Reglage Hauteur	Hebel, Höheverstellung	
4	12154330/0	2	Dado	Nut	Ecrou	Mutter	
5	12788512/0	1	Vite	Screw	Vis	Schraube	
6	322394503/0	1	Manopolina	Knob	Poignée	Griff	
7	12521310/0	1	Rondella	Washer	Rondelle	Scheibe	
8	12150000/0	1	Dado	Nut	Ecrou	Mutter	
11	322735587/0	1	Settore Regolazione Altezza	Sector, Height Adjustment	Secteur Reglage Hauteur	Sektor, Höheverstellung	
12	22171002/0	2	Distanziale	Spacer	Entretoise	Distanzring	
13	12789000/0	2	Vite	Screw	Vis	Schraube	

POS.	CODE	Q.TY	DESCRIZIONE	DESCRIPTION	DESCRIPTION	BESCHREIBUNG	REMARKS
14	381003351/0	1	Leva Regolazione Altezza	Lever, Height Adjustment	Levier Reglage Hauteur	Hebel, Höneverstellung	
15	12154330/0	2	Dado	Nut	Ecrou	Mutter	
16	112727803/0	4	Vite	Screw	Vis	Schraube	
17	381002881/0	1	Asse Ruote Anteriori	Axle, Front Wheels	Axe Roues Avant	Achse, Vorderrad	484
17	381002885/0	1	Asse Ruote Anteriori	Axle, Front Wheels	Axe Roues Avant	Achse, Vorderrad	534
18	12154510/0	4	Dado	Nut	Ecrou	Mutter	
21	322600145/0	4	Prot. Ruote	Protection, Wheel	Protection Roue	Schütz, Räder	
22	19216035/0	8	Cuscinetto	Bearing	Coussinet	Lager	
23	381007416/0	4	Ruota Ø 200	Ruota Ø 200	Roue Ø 200	Rad Ø 200	
24	12521350/0	4	Rondella	Washer	Rondelle	Scheibe	
25	12155000/0	4	Dado	Nut	Ecrou	Mutter	
26	-	4	Coprimozzo	Hub Cap	Couvre-Moyeu	Radkappe	(See Enclosure 2)
31	381002889/0	1	Asse Ruote Posteriori	Axle, Rear Wheels	Axe Roues Arriere	Achse, Hinterrad	
32	112727803/0	4	Vite	Screw	Vis	Schraube	
33	12154510/0	4	Dado	Nut	Ecrou	Mutter	

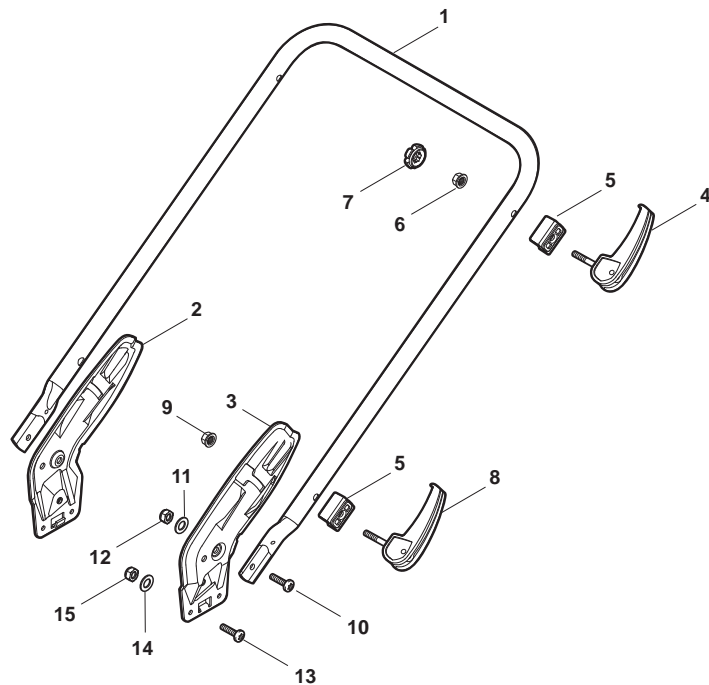
NT		NTL		
484		534		
W TR	W TR/E	W TR 4S	W TR/E 4S	



POS.	CODE	Q.TY	DESCRIZIONE	DESCRIPTION	DESCRIPTION	BESCHREIBUNG	REMARKS
1	322500102/0	1	Griglia Aspirazione	Air Intake Grill	Grille D'Aspiration	Ansauggitter	484
1	322500103/0	1	Griglia Aspirazione	Air Intake Grill	Grille D'Aspiration	Ansauggitter	534
2	112523000/1	2	Rosetta	Washer	Rondelle	Scheibe	
3	12728124/0	2	Vite	Screw	Vis	Schraube	
5	322226143/0	1	Mascherina, Rosso	Mask, Red	Mesque, Rouge	Maske, Rot	484
5	322226153/0	1	Mascherina, Nero	Mask, Black	Mesque, Noire	Maske, Schwarz	484
5	322226155/0	1	Mascherina, Giallo	Mask, Yellow	Mesque, Jaune	Maske, Gelb	484
5	322226145/0	1	Mascherina, Rosso	Mask, Red	Mesque, Rouge	Maske, Rot	534
5	322226154/0	1	Mascherina, Nero	Mask, Black	Mesque, Noire	Maske, Schwarz	534
6	112727799/0	2	Vite	Screw	Vis	Schraube	
7	322393638/0	1	Maniglia, Nero	Handle, Black	Poignee, Noire	Griff, Schwarz	
7	322393639/0	1	Maniglia, Grigio	Handle, Grey	Poignee, Gris	Griff, Grau	
8	12154510/0	2	Dado	Nut	Ecrou	Mutter	
10	112728697/0	2	Vite	Screw	Vis	Schraube	
11	322820082/0	1	Tappo	Cap	Bouchon	Gummistopfen	
12	322820083/0	1	Tappo	Cap	Bouchon	Gummistopfen	

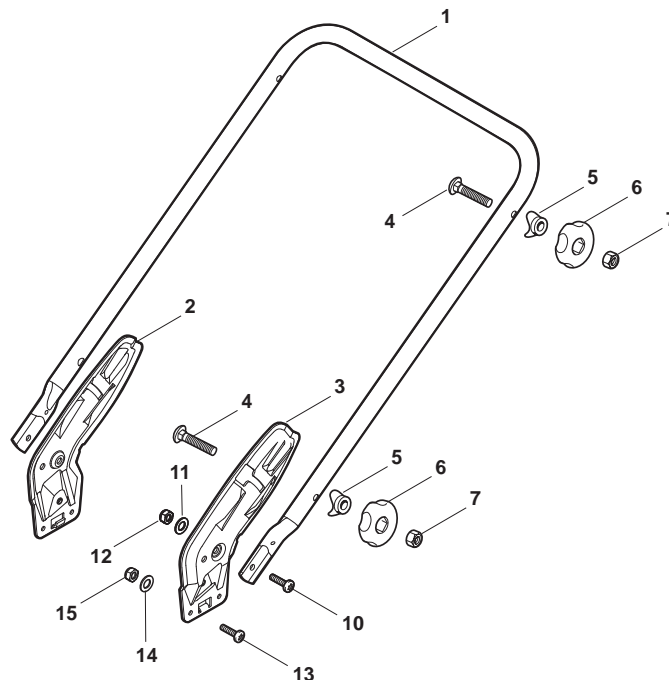
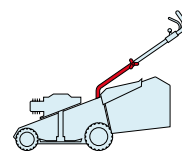


NT		NTL	
484		534	
W TR	W TR/E	W TR 4S	W TR/E 4S



POS.	CODE	Q.TY	DESCRIZIONE	DESCRIPTION	DESCRIPTION	BESCHREIBUNG	REMARKS
1	381006889/0	1	Manico, Parte Inf	Handle, Lower Part	Mancheron, Partie Inferieure	Holm, Unterteil	484
1	381006891/0	1	Manico, Parte Inf	Handle, Lower Part	Mancheron, Partie Inferieure	Holm, Unterteil	534
2	381005125/0	1	Staffa Dx	Bracket, R	Bride D	Pratze, Rechte	
3	381005127/0	1	Staffa Sx	Bracket, L	Bride G	Pratze, Linke	
4	381003253/0	2	Maniglia	Handle	Poignee	Griff	
5	322680016/0	4	Supporto	Support	Support	Halter	
6	22131750/0	2	Dado	Nut	Ecrou	Mutter	
7	322399835/0	2	Manopolina	Knob	Poignée	Griff	
8	381003254/0	1	Maniglia	Handle	Poignee	Griff	
9	112154220/0	2	Dado	Nut	Ecrou	Mutter	
10	12760605/0	2	Vite	Screw	Vis	Schraube	
11	12521350/0	2	Rosetta	Washer	Rondelle	Scheibe	
12	12155000/0	2	Dado	Nut	Ecrou	Mutter	
13	112727803/0	6	Vite	Screw	Vis	Schraube	
14	12523040/0	6	Rosetta	Washer	Rondelle	Scheibe	
15	12154510/0	6	Dado	Nut	Ecrou	Mutter	

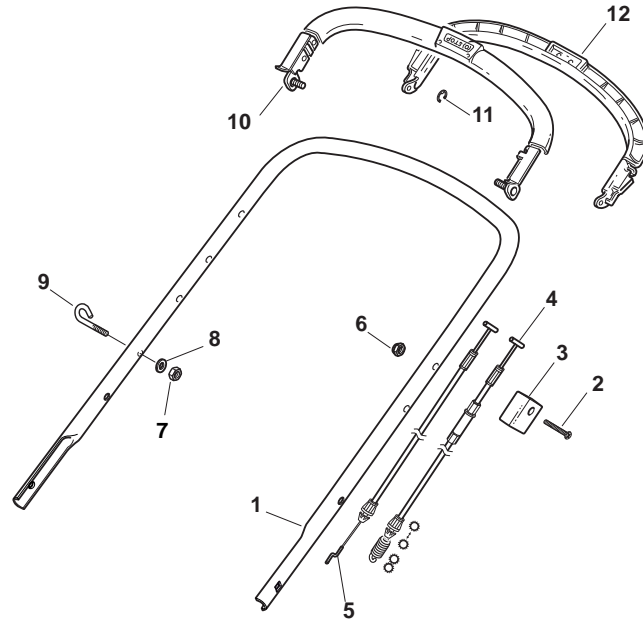
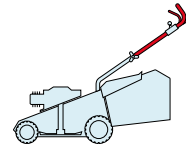
NT		NTL	
484		534	
W TR	W TR/E	W TR 4S	W TR/E 4S



POS.	CODE	Q.TY	DESCRIZIONE	DESCRIPTION	DESCRIPTION	BESCHREIBUNG	REMARKS
1	381006889/0	1	Manico, Parte Inf	Handle, Lower Part	Mancheron, Partie Inférieure	Holm, Unterteil	484
1	381006891/0	1	Manico, Parte Inf	Handle, Lower Part	Mancheron, Partie Inférieure	Holm, Unterteil	534
2	381005125/0	1	Staffa Dx	Bracket, R	Bride D	Pratze, Rechte	
3	381005127/0	1	Staffa Sx	Bracket, L	Bride G	Pratze, Linke	
4	12819120/0	4	Vite	Screw	Vis	Schraube	
5	22680006/1	4	Rosetta	Washer	Rondelle	Scheibe	
6	322399804/1	4	Manopolina	Knob	Poignée	Griff	
7	12293200/0	4	Dado	Nut	Ecrou	Mutter	
10	12760605/0	2	Vite	Screw	Vis	Schraube	
11	12521350/0	2	Rosetta	Washer	Rondelle	Scheibe	
12	12155000/0	2	Dado	Nut	Ecrou	Mutter	
13	112727803/0	6	Vite	Screw	Vis	Schraube	
14	12523040/0	6	Rosetta	Washer	Rondelle	Scheibe	
15	12154510/0	6	Dado	Nut	Ecrou	Mutter	

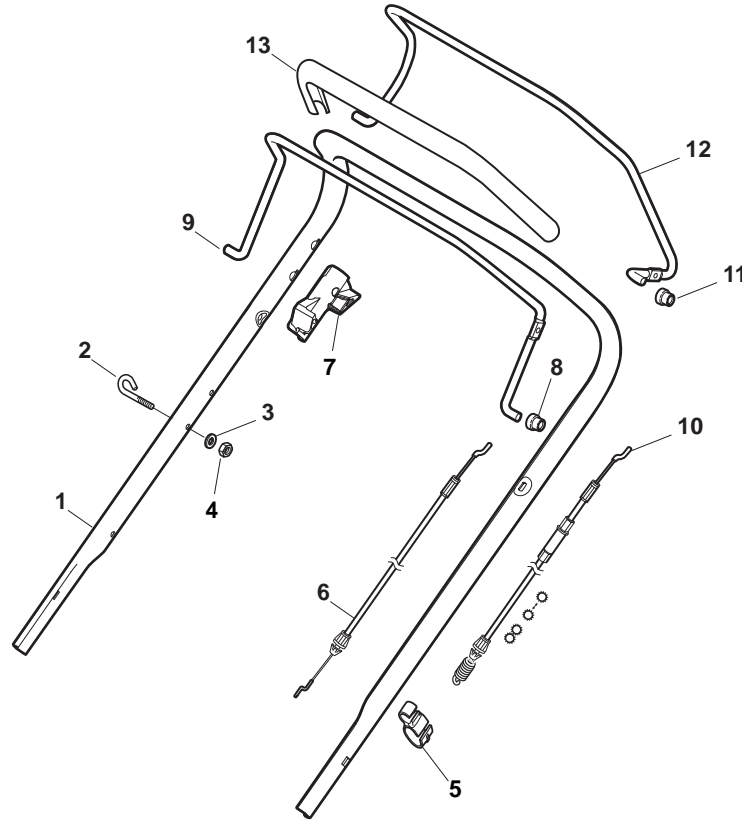
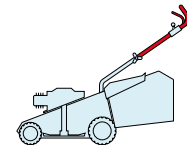


NT		NTL	
484		534	
W TR	W TR/E	W TR 4S	W TR/E 4S



POS.	CODE	Q.TY	DESCRIZIONE	DESCRIPTION	DESCRIPTION	BESCHREIBUNG	REMARKS
1	81006979/2	1	Manico, Parte Sup	Handle, Upper Part	Mancheron, Partie Supérieure	Holm, Oberteil	
2	12727787/0	1	Vite	Screw	Vis	Schraube	
3	22551640/0	1	Piastrina	Plate	Plaquette	Plättchen	
4	381030055/0	1	Cavo Comando Trazione	Cable, Rear Drive	Câble, Comm. Traction	Kabel, Antrieb	
5	181030056/0	1	Cavo Freno Motore	Cable, Thread Engine Brake	Cable Frein Moteur	Kabel, Motorbremse	(Ggp 150cc)
5	181030057/0	1	Cavo Freno Motore	Cable, Thread Engine Brake	Cable Frein Moteur	Kabel, Motorbremse	
6	12154510/0	1	Dado	Nut	Ecrou	Mutter	
7	12154510/0	1	Dado	Nut	Ecrou	Mutter	
8	12521330/0	1	Rosetta	Washer	Rondelle	Scheibe	
9	22430313/0	1	Molla Guida	Guide Spring	Ressort De Guide	Feder Führer	
10	381003330/0	1	Leva Freno Motore	Lever, Engine Brake	Levier Frein Moteur	Hebel, Motorbremse	
11	81003297/1	1	Leva Trazione	Driving Lever	Levier Traction	Antriebhebel	
12	12000930/0	1	Anello Elastico	Snap Ring	Anneau Ressort	Sprengring	

NT		NTL	
484		534	
W TR	W TR/E	W TR 4S	W TR/E 4S



POS.	CODE	Q.TY	DESCRIZIONE	DESCRIPTION	DESCRIPTION	BESCHREIBUNG	REMARKS
1	381006887/0	1	Manico, Parte Sup	Handle, Upper Part	Mancheron, Partie Supérieure	Holm, Oberteil	
1	381006807/0	1	Manico, Parte Sup. con impugantura in spugna	Handle, Upper Part with sponge handgrip	Mancheron, Partie Supérieure avec éponge poignée	Holm, Oberteil Handgriff Schwamm	
2	22430313/0	1	Molla Guida	Guide Spring	Ressort De Guide	Feder Führer	
3	12521330/0	1	Rosetta	Washer	Rondelle	Scheibe	
4	12154510/0	1	Dado	Nut	Ecrou	Mutter	
5	118390020/0	1	Fermacavo	Fairlead	Fixation Cable	Kabelbefestigung	
6	181030053/0	1	Cavo Freno Motore	Cable, Thread Eng. Brake	Cable Frein Moteur	Kabel, Motorbremse	484 (GGP 140-160-196 / B&S 625-675)
6	181030053/0	1	Cavo Freno Motore	Cable, Thread Eng. Brake	Cable Frein Moteur	Kabel, Motorbremse	534 (GGP 140-160-196 / B&S 450-500-550-625-675)
6	181030053/0	1	Cavo Freno Motore	Cable, Thread Eng. Brake	Cable Frein Moteur	Kabel, Motorbremse	534 (HONDA 135-160-190)
6	181030054/0	1	Cavo Freno Motore	Cable, Thread Eng. Brake	Cable Frein Moteur	Kabel, Motorbremse	484 (GGP M150-V35-SV40)
6	181030056/0	1	Cavo Freno Motore	Cable, Thread Eng. Brake	Cable Frein Moteur	Kabel, Motorbremse	484 (B&S 450-500-550 / HONDA 135-160-190)
7	322545204/0	1	Fulcro	Fulcrum Pin	Point D'Appui	Gelenkpunkt	
8	22041966/0	2	Bussola	Bush	Douille	Buchse	
9	181003300/0	1	Leva Freno Motore	Lever, Engine Brake	Levier Frein Moteur	Hebel, Motorbremse	



POS.	CODE	Q.TY	DESCRIZIONE	DESCRIPTION	DESCRIPTION	BESCHREIBUNG	REMARKS
10	381030051/0	1	Cavo Comando Trazione	Cable, Rear Drive	Câble, Commande Traction	Kabel, Antrieb	
11	22041966/0	2	Bussola	Bush	Douille	Buchse	
12	181003301/0	1	Leva Trazione	Lever, Driving	Levier Traction	Hebel, Antrieb	
13	22291050/0	1	Impugnatura Manico Nera	Handgrip Black	Poignée Noire	Handgriff Schwarz	only for handle part no. 381006887/0
14	22551640/0	1	Piastrina	Plate	Plaquette	Plättchen	
15	12728640/0	1	Vite	Screw	Vis	Schraube	

NT

NTL

484

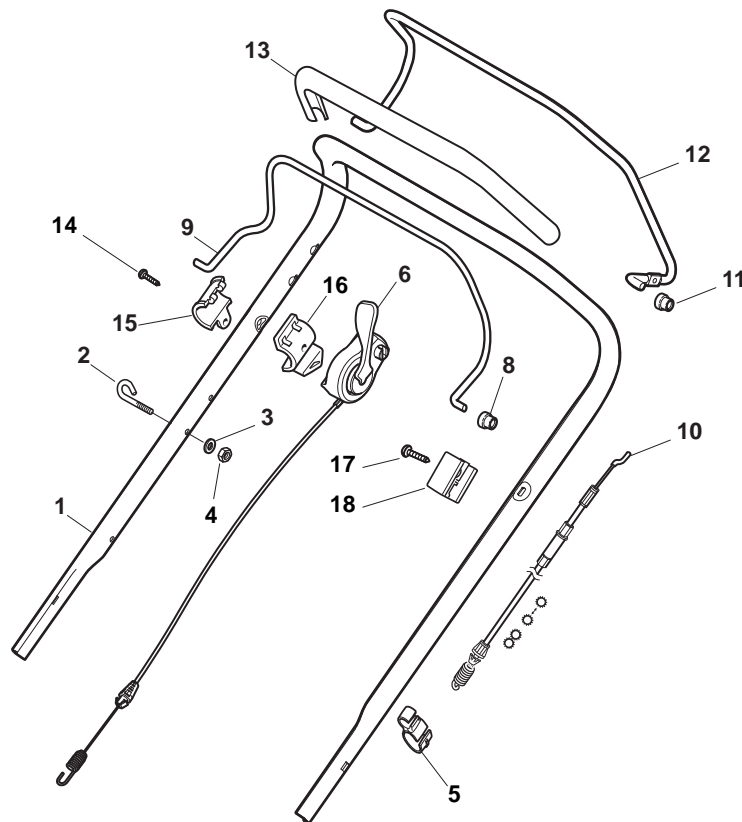
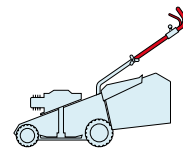
534

WTR

WTR/E

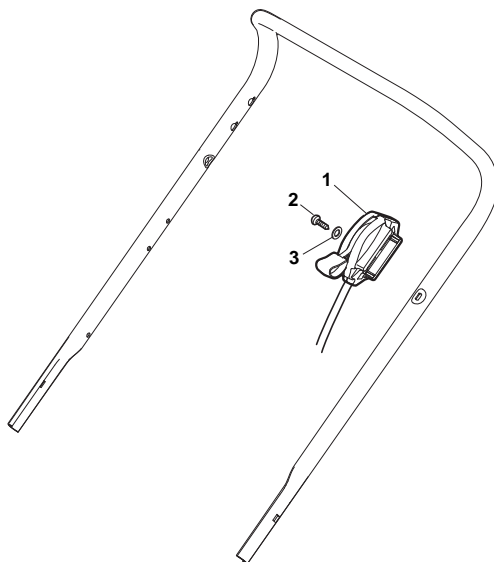
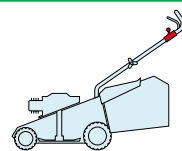
WTR 4S

WTR/E 4S



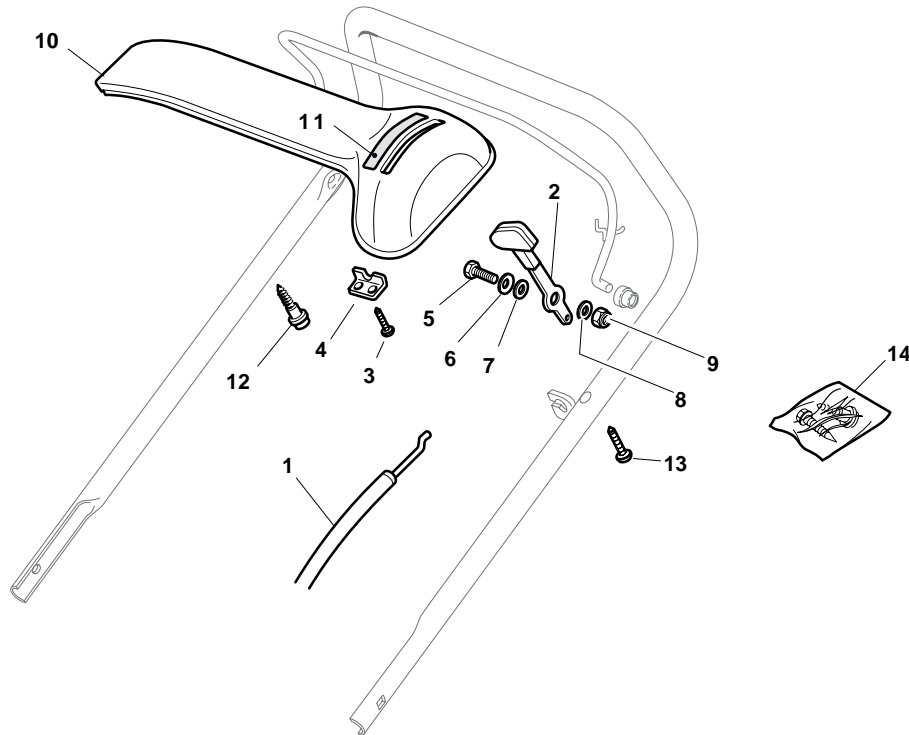
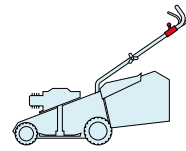
POS.	CODE	Q.TY	DESCRIZIONE	DESCRIPTION	DESCRIPTION	BESCHREIBUNG	REMARKS
1	381006893/0	1	Manico, Parte Sup	Handle, Upper Part	Mancheron, Partie Supérieure	Holm, Oberteil	
2	22430313/0	1	Molla Guida	Guide Spring	Ressort De Guide	Feder Führer	
3	12521330/0	1	Rosetta	Washer	Rondelle	Scheibe	
4	12154510/0	1	Dado	Nut	Ecrou	Mutter	
5	118390020/0	1	Fermacavo	Fairlead	Fixation Cable	Kabelbefestigung	
6	381030060/0	1	Cavo Comando Frizione Meccanica	Cable, Mechanical Clutch	Câble, Commande Embra- yage Mecanique	Kabel, Mechanische Kupplung	
8	22041966/0	2	Bussola	Bush	Douille	Buchse	
9	181003332/1	1	Leva Freno Motore	Lever, Engine Brake	Levier Frein Moteur	Hebel, Motorbremse	
10	381030051/0	1	Cavo Comando Trazione	Cable, Rear Drive	Câble, Commande Traction	Kabel, Antrieb	
11	22041966/0	2	Bussola	Bush	Douille	Buchse	
12	181003301/0	1	Leva Trazione	Lever, Driving	Levier Traction	Hebel, Antrieb	
13	22291050/0	1	Impugnatura Manico Nera	Handgrip Black	Poignée Noire	Handgriff Schwarz	
14	12728688/0	1	Vite	Screw	Vis	Schraube	
15	322545207/0	1	Protezione Dx	R Protection	Protection D	Rechte Schutz	
16	322545208/0	1	Protezione Sx	L Protection	Protection G	Linke Schutz	
17	22551640/0	1	Piastrina	Plate	Plaquette	Plättchen	
18	12728640/0	1	Vite	Screw	Vis	Schraube	

NT		NTL	
484		534	
WTR	WTR/E	WTR 4S	WTR/E 4S



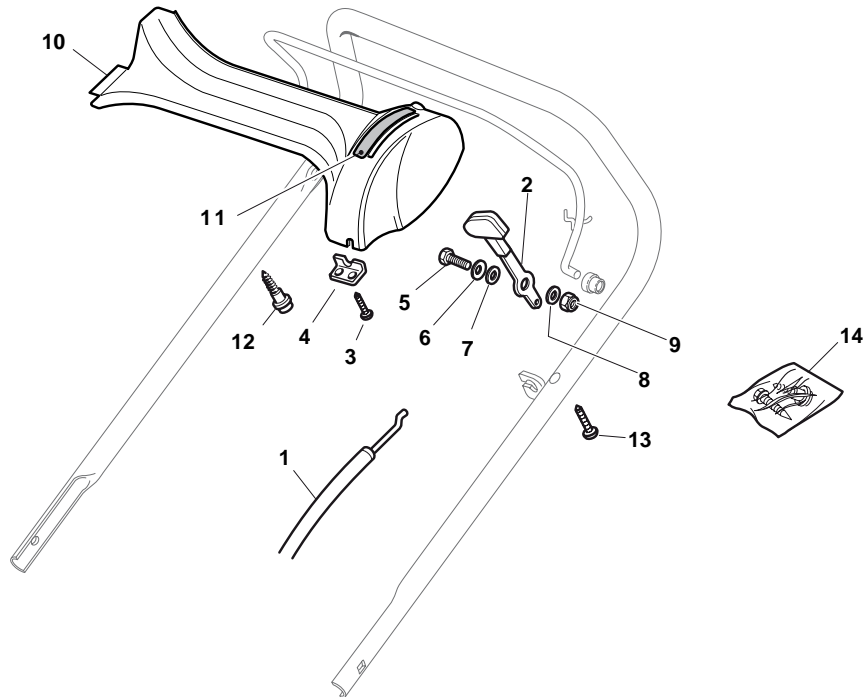
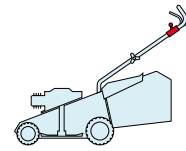
POS.	CODE	Q.TY	DESCRIZIONE	DESCRIPTION	DESCRIPTION	BESCHREIBUNG	REMARKS
1	181005501/1	1	Cavo Acceleratore	Throttle Cable	Cable, Accelérateur	Gashebel Kabel	(GGP 140-160-190 cc)
1	181005501/1	1	Cavo Acceleratore	Throttle Cable	Cable, Accelérateur	Gashebel Kabel	(Honda GCV 135-160-190)
1	181005502/1	1	Cavo Acceleratore	Throttle Cable	Cable, Accelérateur	Gashebel Kabel	(B&S 450-500-550-625-675-700)
1	181005503/1	1	Cavo Acceleratore	Throttle Cable	Cable, Accelérateur	Gashebel Kabel	(Honda GCV 135-160-190 Autochoke)
1	181005504/1	1	Cavo Acceleratore	Throttle Cable	Cable, Accelérateur	Gashebel Kabel	(Ggp 150cc)
1	181005505/1	1	Cavo Acceleratore	Throttle Cable	Cable, Accelérateur	Gashebel Kabel	534 BBC (B&S 675)
1	181005506/1	1	Cavo Acceleratore	Throttle Cable	Cable, Accelérateur	Gashebel Kabel	534 BBC (Honda GCV 190)
2	12735103/0	1	Vite	Screw	Vis	Schraube	
3	12523040/0	1	Rosetta	Washer	Rondelle	Scheibe	

NT		NTL	
484		534	
W TR	W TR/E	W TR 4S	W TR/E 4S

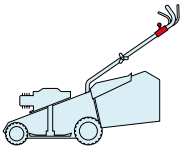


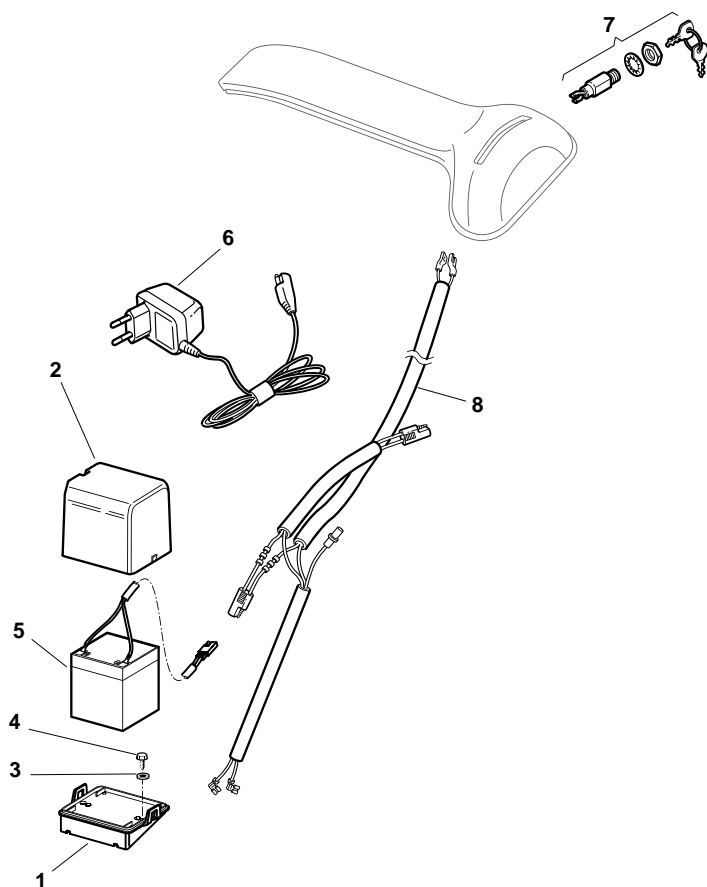
POS.	CODE	Q.TY	DESCRIZIONE	DESCRIPTION	DESCRIPTION	BESCHREIBUNG	REMARKS
1	81007160/0	1	Cavo Acceleratore	Throttle Cable	Cable, Accelérateur	Gashebel Kabel	
2	81007280/2	1	Leva, Acceleratore	Lever, Throttle	Levier,	Hebel, Beshleuniger	(B&S 625-675-700 Series - Honda - Ggp 140-160-196 cc)
2	81007221/0	1	Leva, Acceleratore	Lever, Throttle	Levier,	Hebel, Beshleuniger	(B&S 450-500 Series - Ggp 150 cc)
3	12735105/0	2	Vite	Screw	Vis	Schraube	
4	22981467/0	1	Piastrina	Plate	Plaquette	Platte	
5	12791500/0	1	Vite	Screw	Vis	Schraube	
6	12530060/0	1	Rosetta Elastica	Elastic Washer	Rondelle Elastique	Elastische Scheibe	
7	12523040/0	1	Rosetta	Washer	Rondelle	Scheibe	
8	12523040/0	1	Rosetta	Washer	Rondelle	Scheibe	
9	12154510/0	1	Dado	Nut	Ecrou	Mutter	
10	22120152/0	1	Cruscotto Giallo	Dash Board Yellow	Console Jaune	Konsole Gelbe	
10	22120154/0	1	Cruscotto Rosso	Dash Board Red	Console Rouge	Konsole Rote	
10	22120158/0	1	Cruscotto Nero	Dash Board Black	Console Noire	Konsole Schwarze	
11	114356744/1	1	Etichetta	Label	Etiquette	Etikette	(B&S)
11	114356906/1	1	Etichetta	Label	Etiquette	Etikette	(B&S 700 series DOV)
11	114356743/1	1	Etichetta	Label	Etiquette	Etikette	(GGP)
11	114356743/1	1	Etichetta	Label	Etiquette	Etikette	(Honda)
11	114357646/1	1	Etichetta	Label	Etiquette	Etikette	(Honda GCV 160-190 Autochoke)
12	22943006/0	1	Vite	Screw	Vis	Schraube	
13	12728460/0	1	Vite	Screw	Vis	Schraube	
14	81008609/0	1	Dotazione Viteria Cruscotto	Outfit, Dash-Board Screws	Dotation Visserie Console	Satz, Konsole Schrauben	

NT		NTL	
484		534	
W TR	W TR/E	W TR 4S	W TR/E 4S



POS.	CODE	Q.TY	DESCRIZIONE	DESCRIPTION	DESCRIPTION	BESCHREIBUNG	REMARKS
1	81007160/0	1	Cavo Acceleratore	Throttle Cable	Cable, Accelérateur	Gashebel Kabel	
2	81007280/2	1	Leva, Acceleratore	Lever, Throttle	Levier,	Hebel, Beshleuniger	(B&S 625-675-700 Series - Honda - Ggp 140-160-196 cc)
2	81007221/0	1	Leva, Acceleratore	Lever, Throttle	Levier,	Hebel, Beshleuniger	(B&S 450-500 Series - Ggp 150 cc)
3	12735105/0	2	Vite	Screw	Vis	Schraube	
4	22981467/0	1	Piastrina	Plate	Plaquette	Platte	
5	12791500/0	1	Vite	Screw	Vis	Schraube	
6	12530060/0	1	Rosetta Elastica	Elastic Washer	Rondelle Elastique	Elastische Scheibe	
7	12523040/0	1	Rosetta	Washer	Rondelle	Scheibe	
8	12523040/0	1	Rosetta	Washer	Rondelle	Scheibe	
9	12154510/0	1	Dado	Nut	Ecrou	Mutter	
10	22120172/0	1	Cruscotto Nero	Dash Board Black	Console Noire	Konsole Schwarze	
10	22120173/0	1	Cruscotto Rosso	Dash Board Red	Console Rouge	Konsole Rote	
10	22120174/0	1	Cruscotto Giallo	Dash Board Yellow	Console Jaune	Konsole Gelbe	
11	114356744/1	1	Etichetta	Label	Etiquette	Etikette	(B&S)
11	114356906/1	1	Etichetta	Label	Etiquette	Etikette	(B&S 700 series DOV)
11	114356743/1	1	Etichetta	Label	Etiquette	Etikette	(GGP)
11	114356743/1	1	Etichetta	Label	Etiquette	Etikette	(Honda)
11	114357646/1	1	Etichetta	Label	Etiquette	Etikette	(Honda GCV 160-190 Autochoke)
12	22943006/0	1	Vite	Screw	Vis	Schraube	
13	12728460/0	1	Vite	Screw	Vis	Schraube	
14	81008609/0	1	Dotazione Viteria Cruscotto	Outfit, Dash-Board Screws	Dotation Visserie Console	Satz, Konsole Schrauben	

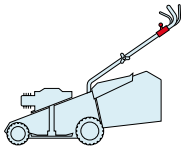
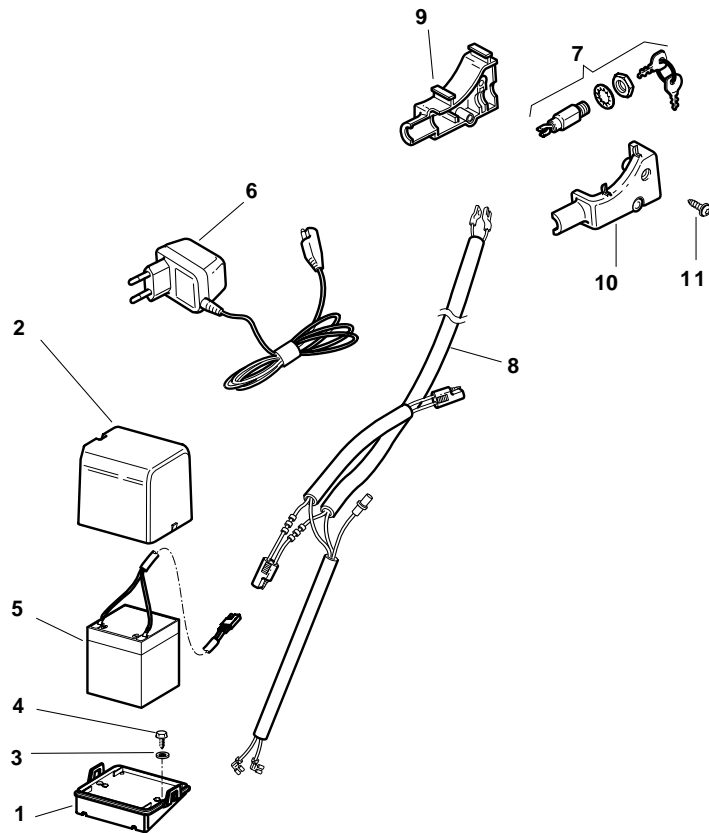
NT		NTL		
484		534		
WTR	WTR/E	WTR 4S	WTR/E 4S	



POS.	CODE	Q.TY	DESCRIZIONE	DESCRIPTION	DESCRIPTION	BESCHREIBUNG	REMARKS
1	22785123/0	1	Supporto Batteria	Support, Battery	Support Batterie	Halter, Batterie	
2	22109530/0	1	Coperchio	Cover	Couvercle	Deckel	
3	12521310/0	2	Rosetta	Washer	Rondelle	Scheibe	
4	12731590/0	2	Vite	Screw	Vis	Schraube	
5	18120052/0	1	Batteria	Battery	Batterie	Batterie	
6	18204120/0	1	Carica Batteria	Battery Charger	Chargeur De	Ladgerät	
6	18204121/0	1	Carica Batteria	Battery Charger	Chargeur De	Ladgerät	(UK)
7	18450050/0	1	Interruttore	Switch	Interrupteur	Schalter	
8	118204192/3	1	Cavo Avviamento	Cable, Start	Cable Démarrage	Kabel, Start	(B&S - GGP)
8	18204198/0	1	Cavo Avviamento	Cable, Start	Cable Démarrage	Kabel, Start	(Honda)

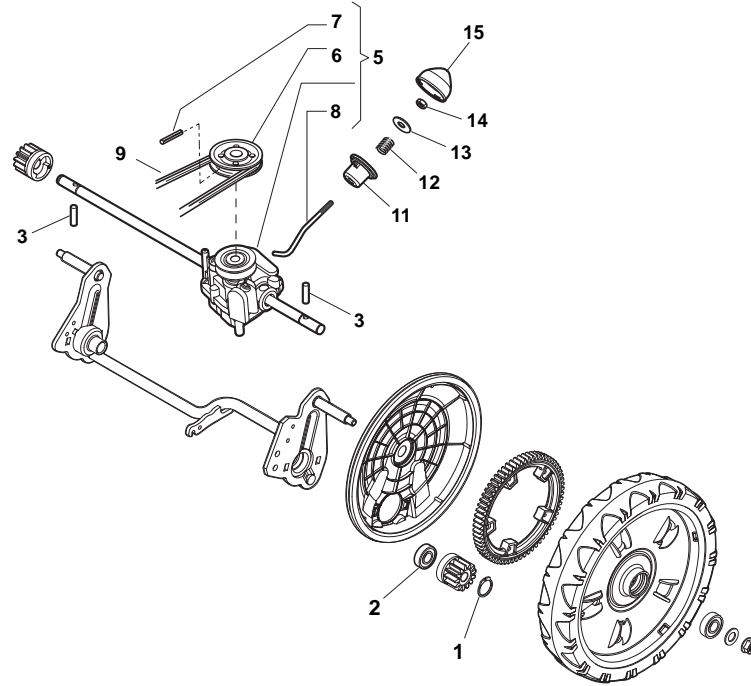
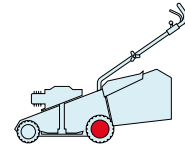


NT		NTL	
484		534	
W TR	W TR/E	W TR 4S	W TR/E 4S

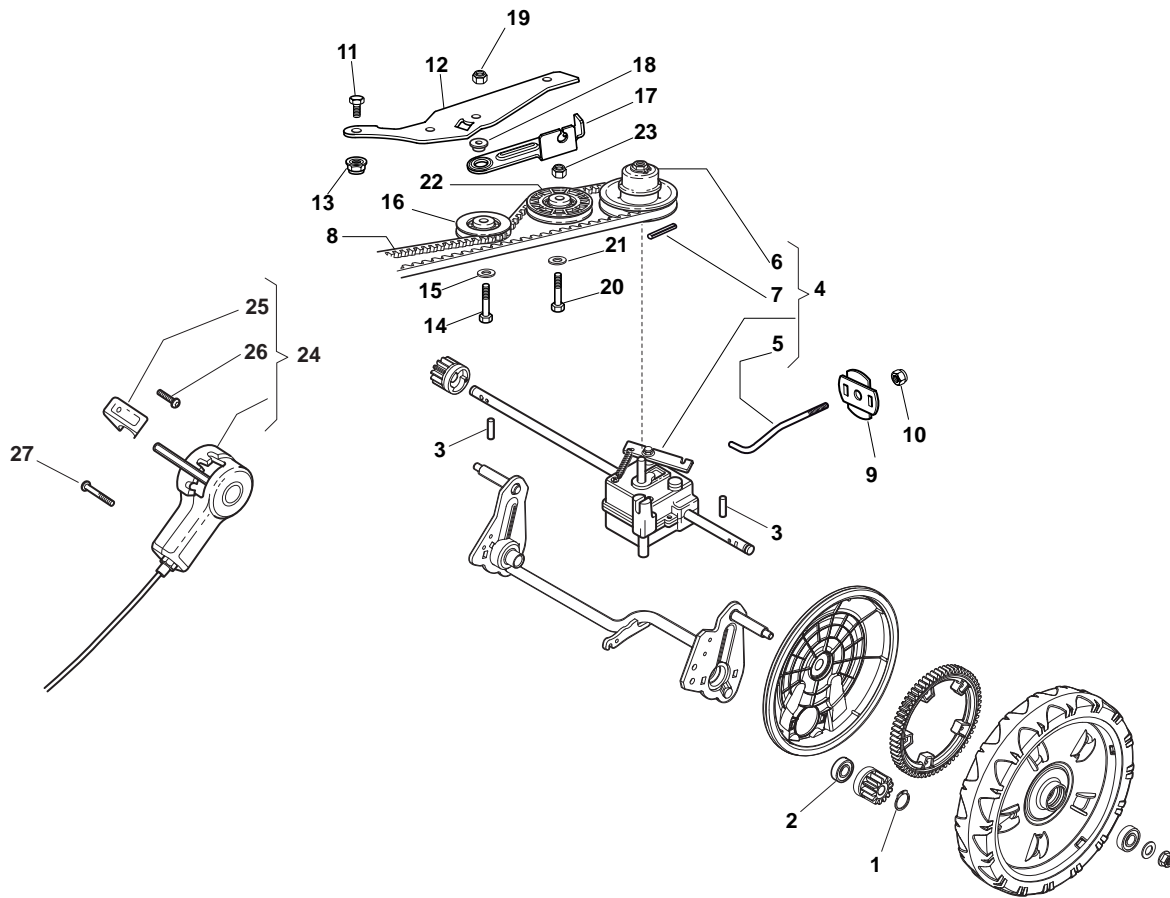
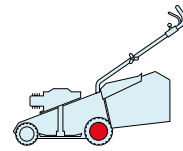
POS.	CODE	Q.TY	DESCRIZIONE	DESCRIPTION	DESCRIPTION	BESCHREIBUNG	REMARKS
1	22785123/0	1	Supporto Batteria	Support, Battery	Support Batterie	Halter, Batterie	
2	22109530/0	1	Coperchio	Cover	Couvercle	Deckel	
3	12521310/0	2	Rosetta	Washer	Rondelle	Scheibe	
4	12731590/0	2	Vite	Screw	Vis	Schraube	
5	18120052/0	1	Batteria	Battery	Batterie	Batterie	
6	18204120/0	1	Carica Batteria	Battery Charger	Chargeur De	Ladgerät	
6	18204121/0	1	Carica Batteria	Battery Charger	Chargeur De	Ladgerät	(Uk)
7	18450050/0	1	Interruttore	Switch	Interrupteur	Schalter	
8	118204192/3	1	Cavo Avviamento	Cable, Start	Cable Démarrage	Kabel, Start	(B&S - GGP)
8	18204198/0	1	Cavo Avviamento	Cable, Start	Cable Démarrage	Kabel, Start	(Honda)
9	22722804/0	1	Protezione Dx	R Protection	Protection D	Rechte Schutz	
10	22722805/0	1	Protezione Sx	L Protection	Protection G	Linke Schutz	
11	12728300/0	1	Vite	Screw	Vis	Schraube	

NT		NTL	
484		534	
W TR	W TR/E	W TR 4S	W TR/E 4S



POS.	CODE	Q.TY	DESCRIZIONE	DESCRIPTION	DESCRIPTION	BESCHREIBUNG	REMARKS
1	12608600/0	2	Seeger	Seeger	Seeger	Seeger	
2	19216035/0	2	Cuscinetto	Bearing	Coussinet	Lager	
3	22753000/0	2	Spina	Pin	Goupille	Stift	
5	81003092/0	1	Gruppo Trazione	Gear Box	Groupe Traction	Antrieb	
6	22601904/0	1	Puleggia	Pulley	Poulie	Riemenscheibe	
7	12645700/0	1	Spina	Pin	Goupille	Stift	
8	22033283/0	1	Asta Regolazione	Adjustment Rod	Tige Reglage	Verstellungstange	
9	35063800/0	1	Cinghia Z 27	Belt Z 27	Courroie Z 27	Riemen Z 27	484
9	35063902/0	1	Cinghia Z 29.5	Belt Z 29.5	Courroie Z 29.5	Riemen Z 29.5	534
11	22041957/1	1	Bussola	Bush	Douille	Buchse	
12	22450063/0	1	Molla	Spring	Ressort	Feder	
13	22680009/0	1	Rosetta	Washer	Rondelle	Scheibe	
14	12154510/0	1	Dado	Nut	Ecrou	Mutter	
15	22110230/0	1	Tappo	Cap	Bouchon	Gummistopfen	

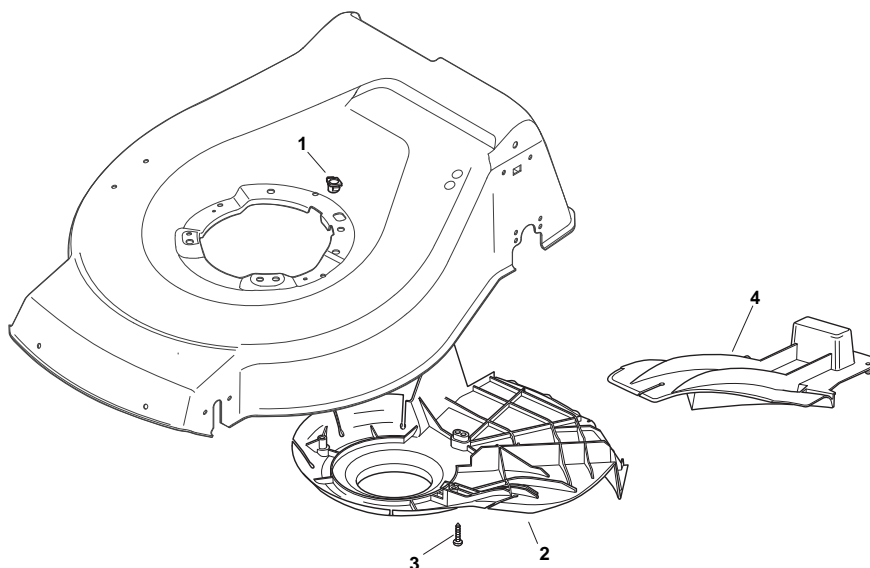
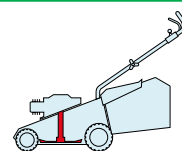
NT		NTL	
484		534	
WTR	WTR/E	WTR 4S	WTR/E 4S



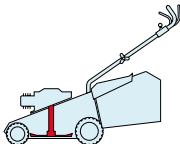
POS.	CODE	Q.TY	DESCRIZIONE	DESCRIPTION	DESCRIPTION	BESCHREIBUNG	REMARKS
1	12608600/0	2	Seeger	Seeger	Seeger	Seeger	
2	19216035/0	2	Cuscinetto	Bearing	Coussinet	Lager	
3	22753000/0	2	Spina	Pin	Goupille	Stift	
4	181003096/2	1	Gruppo Trazione	Gear Box	Groupe Traction	Antrieb	
5	22033285/0	1	Asta Regolazione	Adjustment Rod	Tige Reglage		
6	122601925/0	1	Puleggia	Pulley	Poulie	Riemenscheibe	
7	12645700/0	1	Spina	Pin	Goupille	Stift	
8	35064005/0	1	Cinghia Spzx 750	Belt Spzx 750	Courroie Spzx 750	Riemen Spzx 750	484
8	35064010/0	1	Cinghia Spzx 812	Belt Spzx 812	Courroie Spzx 812	Riemen Spzx 812	534
11	12791011/0	1	Vite	Screw	Vis	Schraube	
12	322806625/1	1	Supporto	Support	Support	Halter	
13	12292102/0	1	Dado	Nut	Ecrou	Mutter	
14	12689500/0	1	Vite	Screw	Vis	Schraube	
15	12523050/0	1	Rosetta	Washer	Rondelle	Scheibe	
16	22601915/0	1	Puleggia	Pulley	Poulie	Riemenscheibe	
17	22806623/0	1	Supporto	Support	Support	Halter	
18	22671656/0	1	Rosetta	Washer	Rondelle	Scheibe	
19	12154510/0	1	Dado	Nut	Ecrou	Mutter	
20	12674700/0	1	Vite	Screw	Vis	Schraube	
21	12523050/0	1	Rosetta	Washer	Rondelle	Scheibe	
22	22601914/0	1	Puleggia	Pulley	Poulie	Riemenscheibe	

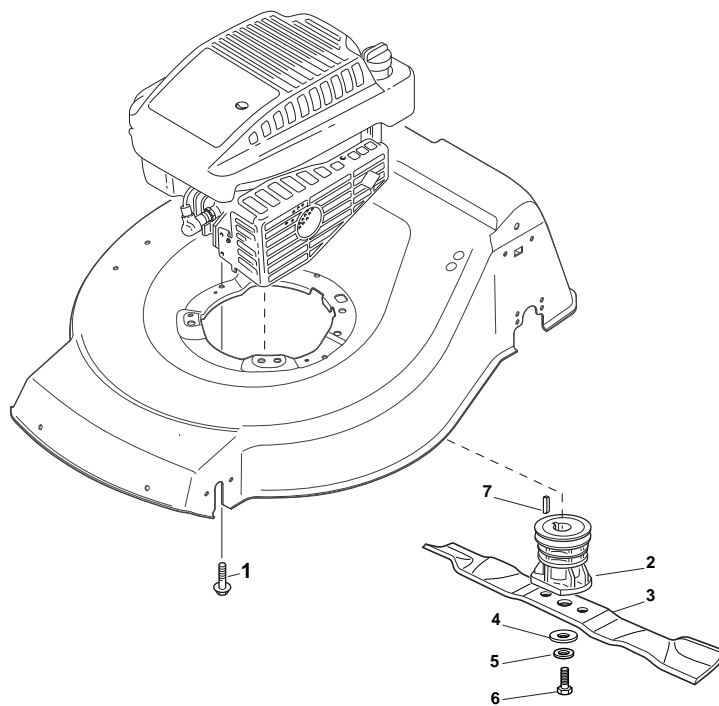
POS.	CODE	Q.TY	DESCRIZIONE	DESCRIPTION	DESCRIPTION	BESCHREIBUNG	REMARKS
23	12154510/0	1	Dado	Nut	Ecrou	Mutter	
24	81007109/0	1	Cavo Comando Marce	Cable, Speed Drive Control	Cable, Comm. Change-ment Vitesse	Kabel, Gängeschaltun	484
24	81007110/0	1	Cavo Comando Marce	Cable, Speed Drive Control	Cable, Comm. Change-ment Vitesse	Kabel, Gängeschaltun	534
25	22399809/0	1	Manopolina	Knob	Poignée	Griff	
26	12728300/0	1	Vite	Screw	Vis	Schraube	
27	12728702/0	2	Vite	Screw	Vis	Schraube	

NT		NTL	
484		534	
W TR	W TR/E	W TR 4S	W TR/E 4S



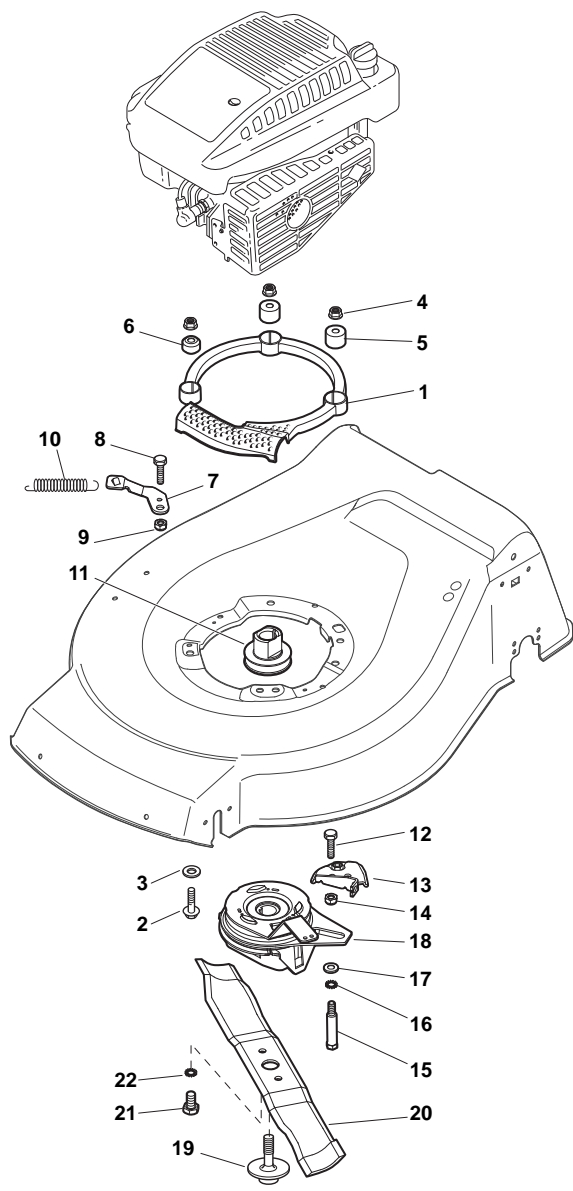
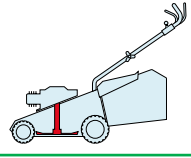
POS.	CODE	Q.TY	DESCRIZIONE	DESCRIPTION	DESCRIPTION	BESCHREIBUNG	REMARKS
1	22291150/0	1	Inserto In Gomma	Rubber Insert	Insert De	Gummi Einsatz	
2	22060198/0	1	Carter Cinghia	Protection, Belt	Protection	Schutz, Riemen	484
2	322060197/2	1	Carter Cinghia	Protection, Belt	Protection	Schutz, Riemen	534
2	322060238/0	1	Carter Cinghia	Protection, Belt	Protection	Schutz, Riemen	534 BBC
3	12728530/0	3	Vite	Screw	Vis	Schraube	
4	22140223/0	1	Deflettore	Deflector	Deflecteur	Deflektor	484
4	22140222/0	1	Deflettore	Deflector	Deflecteur	Deflektor	534

NT		NTL		
484		534		
W TR	W TR/E	W TR 4S	W TR/E 4S	



POS.	CODE	Q.TY	DESCRIZIONE	DESCRIPTION	DESCRIPTION	BESCHREIBUNG	REMARKS
1	112735108/1	3	Vite	Screw	Vis	Schraube	
1	112735108/1	2	Vite	Screw	Vis	Schraube	(GGP 196cc)
1	112735109/1	1	Vite	Screw	Vis	Schraube	(GGP 196cc)
2	122465607/3	1	Mozzo, Albero Motore Ø 22.2	Hub, Crankshaft Ø 22.2	Moyeu, Arbre Moteur Ø 22.2	Halter, Motorwelle Ø 22.2	
2	122465608/2	1	Mozzo, Albero Motore Ø 25	Hub, Crankshaft Ø 25	Moyeu, Arbre Moteur Ø 25	Halter, Motorwelle Ø 25	
3	81004346/3	1	Coltello Standard	Blade Standard	Lame Standard	Messer Standard	484
3	81004381/1	1	Coltello Standard	Blade Standard	Lame Standard	Messer Standard	534
4	22160400/0	1	Disco Elastico	Elastic Washer	Rondelle Elastique	Elastischescheibe	
5	12523080/0	1	Rosetta	Washer	Rondelle	Scheibe	
6	12735698/0	1	Vite	Screw	Vis	Schraube	
7	12139100/0	1	Linguetta, Albero Motore Ø 22.2	Feather, Crankshaft Ø 22.2	Clavette, Arbre Moteur Ø 22.2	Keil, Motorwelle Ø 22.2	
7	12139150/0	1	Linguetta, Albero Motore Ø 25	Feather, Crankshaft Ø 25	Clavette, Arbre Moteur Ø 25	Keil, Motorwelle Ø 25	

NT		NTL	
484		534	
WTR	WTR/E	WTR 4S	WTR/E 4S

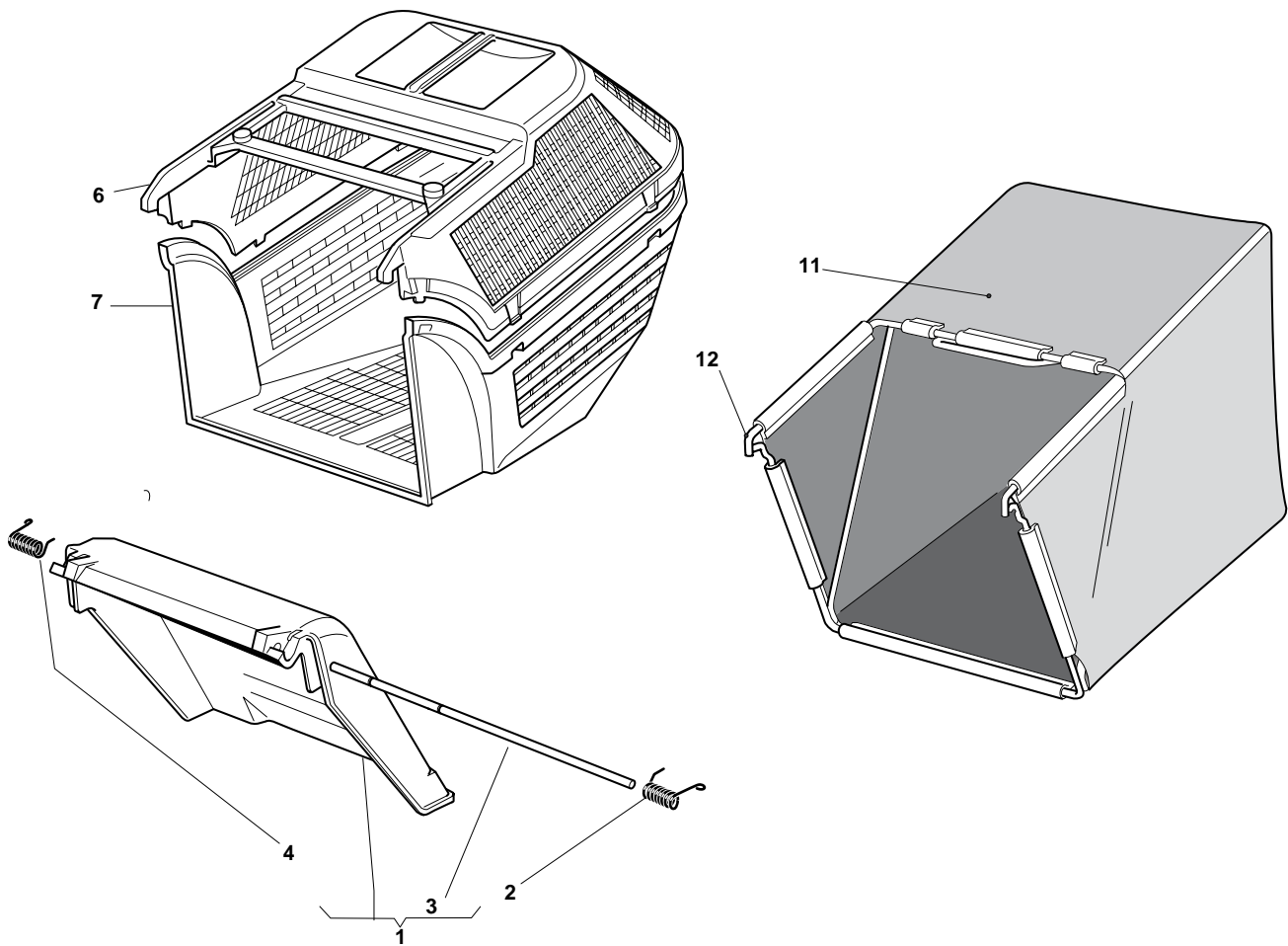
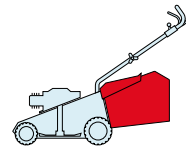


POS.	CODE	Q.TY	DESCRIZIONE	DESCRIPTION	DESCRIPTION	BESCHREIBUNG	REMARKS
1	322170963/0	1	Protezione	Protection	Protection	Schutz	
2	12691700/0	3	Vite	Screw	Vis	Schraube	(Honda)
2	12691700/0	2	Vite	Screw	Vis	Schraube	(B&S)
2	12692050/0	1	Vite	Screw	Vis	Schraube	(B&S)
3	12521350/0	3	Rosetta	Washer	Rondelle	Scheibe	
4	12154210/0	3	Dado	Nut	Ecrou	Mutter	
5	22170835/0	2	Distanziale	Spacer	Entretoise	Distanzring	
6	122170836/1	1	Distanziale	Spacer	Entretoise	Distanzring	
7	322551671/0	1	Supporto	Support	Support	Halter	
8	112791200/1	1	Vite	Screw	Vis	Schraube	
9	12154510/0	1	Dado	Nut	Ecrou	Mutter	
10	122446188/0	1	Molla	Spring	Ressort	Feder	
11	122601922/0	1	Puleggia, Albero Moto- re Ø 22.2	Pulley, Crankshaft Ø 22.2	Poulie, Arbre Moteur Ø 22.2	Scheibe, Motorwelle Ø 22.2	

POS.	CODE	Q.TY	DESCRIZIONE	DESCRIPTION	DESCRIPTION	BESCHREIBUNG	REMARKS
11	122601923/0	1	Puleggia, Albero Moto- re Ø 25	Pulley, Crankshaft Ø 25	Poulie, Arbre Moteur Ø 25	Scheibe, Motorwelle Ø 25	
12	112791200/1	2	Vite	Screw	Vis	Schraube	
13	381545335/0	1	Supporto	Support	Support	Halter	
14	12154510/0	2	Dado	Nut	Ecrou	Mutter	
15	122534127/0	1	Piolo	Pin	Bondon	Dübel	
16	12540060/0	1	Rondella	Washer	Rondelle	Scheibe	
17	22671653/0	1	Rosetta	Washer	Rondelle	Scheibe	
18	118399051/0	1	Ass. Frizione Meccanica	Mechanical Clutch	Embrayage Mecanique	Mechanische Kupplung	
19	12735460/0	1	Vite	Screw	Vis	Schraube	
20	181004382/0	1	Coltello	Blade	Lame	Messer	
21	12540060/0	2	Rondella	Washer	Rondelle	Scheibe	
22	12794110/0	2	Vite	Screw	Vis	Schraube	

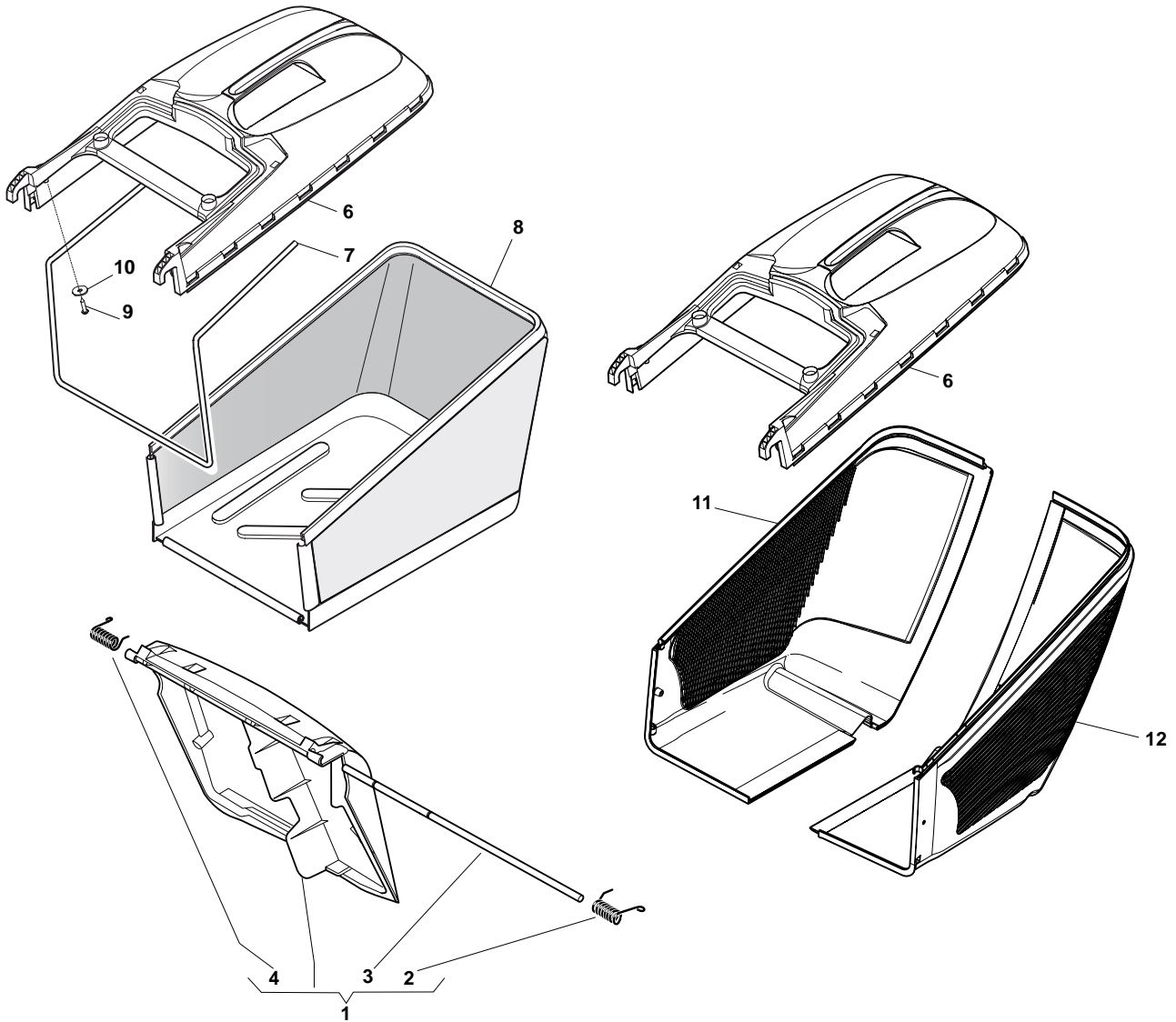
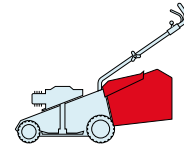


NT		NTL	
484		534	
W TR	W TR/E	W TR 4S	W TR/E 4S



POS.	CODE	Q.TY	DESCRIZIONE	DESCRIPTION	DESCRIPTION	BESCHREIBUNG	REMARKS
1	381007308/2	1	Parasassi	Stone-Guard	Pare-Pierres	Prallblech	
2	122450466/0	1	Molla Sx	L Spring	Ressort G	Linke Feder	
3	22517906/1	1	Perno	Pin	Pivot	Bolzen	
4	122450465/0	1	Molla Dx	R Spring	Ressort D	Rechte Feder	
6	322486073/1	1	Sacco, Parte Sup	Grass-Box, Upper	Sac, Partie Superieure	Korb, Oberteil	
7	22486074/0	1	Sacco, Parte Inf	Grass-Box, Lower	Sac, Partie Inferieure	Korb, Unterteil	
11	81002105/2	1	Sacco, Tela	Box, Fabric	Sac, Toile	Sack, Tuck	
12	81006418/0	1	Telaio Sacco	Chassis Box	Châssis Bac	Rahmen Sack	

NT		NTL	
484		534	
WTR	WTR/E	WTR 4S	WTR/E 4S



POS.	CODE	Q.TY	DESCRIZIONE	DESCRIPTION	DESCRIPTION	BESCHREIBUNG	REMARKS
1	381008081/0	1	Parasassi	Stone-Guard	Pare-Pierres	Prallblech	
2	122450466/0	1	Molla Sx	L Spring	Ressort G	Linke Feder	
3	22517906/1	1	Perno	Pin	Pivot	Bolzen	
4	122450465/0	1	Molla Dx	R Spring	Ressort D	Rechte Feder	
6	22486101/0	1	Sacco, Parte Sup	Grass-Box, Upper	Sac, Partie	Korb, Oberteil	
7	22608525/0	1	Rinforzo Inf	Stiffening Lower	Réforcement Inf	Verstärkung	
8	81002211/0	1	Sacco, Tela	Box, Fabric	Sac, Toile	Sack, Tuck	
9	12728680/0	2	Vite	Screw	Vis	Schraube	
10	12523050/0	2	Rosetta	Washer	Rondelle	Scheibe	
11	322486150/1	1	Sacco, Parte Inf Dx	Grass-Box, R Lower	Sac, Partie Inferieure D	Korb, R Unterteil	
12	322486151/1	1	Sacco, Parte Inf Sx	Grass-Box, L Lower	Sac, Partie Inferieure G	Korb, L Unterteil	