

Genuine Spare Parts

Catalogo delle parti di ricambio
Spare parts catalogue
Catalogue des pieces de rechange
Ersatzteilkatalog

2010

- Use GLOBAL GARDEN PRODUCT Genuine Spare Parts specified in the parts list for repair and/or replacement.
- The contents described in the parts list may change due to improvement.
- The drawings of the spare parts are only indicative and might not represent the part in question exactly.
- The indications "right" - "left" - "front" - "rear" refer to the position of the operator when using the machine.
- When placing orders of parts for repair and/or replacement, make sure that the illustrated parts list is the one applying to the machine's year of manufacture, as shown on the identification plate attached to the machine.

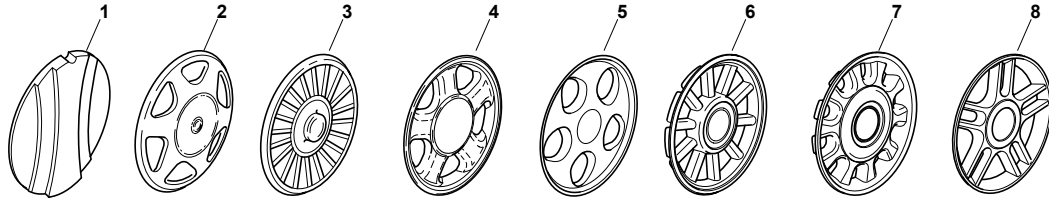
COPYRIGHT by GLOBAL GARDEN PRODUCTS

All rights reserved. No part of this material may be reproduced or transmitted, in any form or by any means, electronic or mechanical, including photocopying, recording or by any information storage and retrieval system, without permission in writing from GLOBAL GARDEN PRODUCTS.



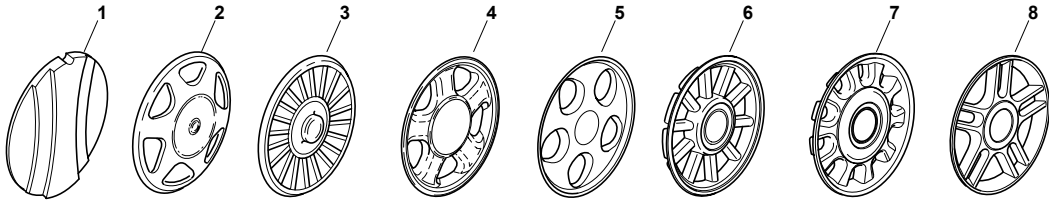
GLOBAL GARDEN PRODUCTS

ENCLOSURE 1



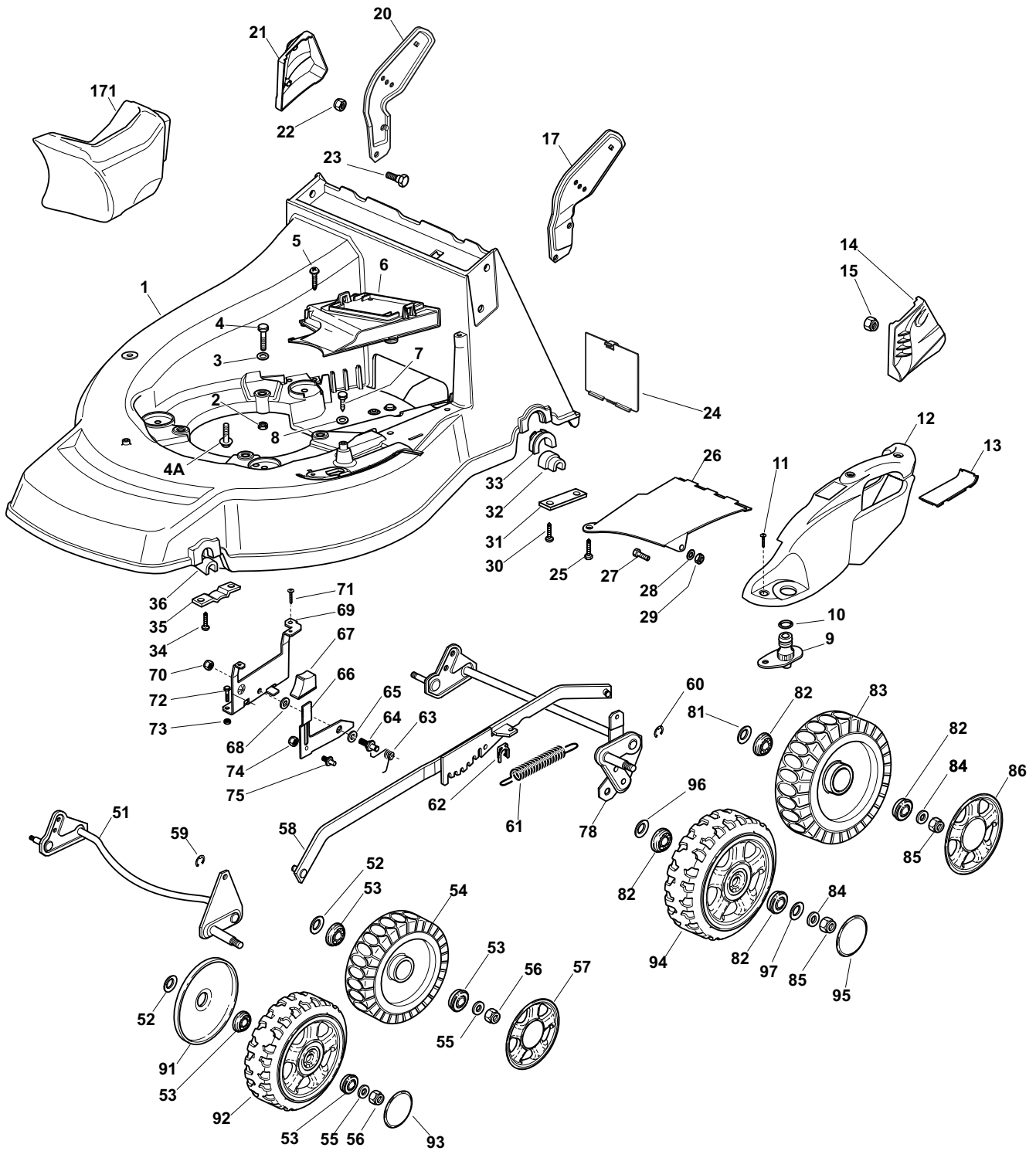
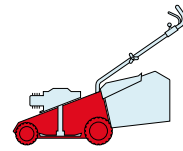
POS.	CODE	Q.TY	DESCRIZIONE	DESCRIPTION	DESCRIPTION	BESCHREIBUNG	REMARKS
1	22110252/1		Coprimozzo Bianco	Hub Cap White	Couvre-Moyeu	Radkappe Weiße	
1	22110254/1		Coprimozzo Giallo	Hub Cap Yellow	Couvre-Moyeu	Radkappe Gelbe	
1	22110255/1		Coprimozzo Rosso	Hub Cap Red	Couvre-Moyeu	Radkappe Rote	
2	22110344/0		Coprimozzo Bianco	Hub Cap White	Couvre-Moyeu	Radkappe Weiße	
2	22110395/0		Coprimozzo Grigio	Hub Cap Grey	Couvre-Moyeu Gris	Radkappe Grau	
3	22110347/0		Coprimozzo Grigio	Hub Cap Grey	Couvre-Moyeu Gris	Radkappe Grau	
4	22110381/0		Coprimozzo Grigio	Hub Cap Grey	Couvre-Moyeu Gris	Radkappe Grau	
5	22110416/0		Coprimozzo Grigio	Hub Cap Grey	Couvre-Moyeu Gris	Radkappe Grau	
6	22110495/0		Coprimozzo Grigio	Hub Cap Grey	Couvre-Moyeu Gris	Radkappe Grau	
7	22110493/0		Coprimozzo Grigio	Hub Cap Grey	Couvre-Moyeu Gris	Radkappe Grau	
8	22110491/0		Coprimozzo Grigio	Hub Cap Grey	Couvre-Moyeu Gris	Radkappe Grau	

ENCLOSURE 2



POS.	CODE	Q.TY	DESCRIZIONE	DESCRIPTION	DESCRIPTION	BESCHREIBUNG	REMARKS
1	22110251/0		Coprismozzo Bianco	Hub Cap White	Couvre-Moyeu	Radkappe Weiße	
1	22110253/0		Coprismozzo Giallo	Hub Cap Yellow	Couvre-Moyeu	Radkappe Gelbe	
1	22110256/0		Coprismozzo Rosso	Hub Cap Red	Couvre-Moyeu	Radkappe Rote	
2	22110313/0		Coprismozzo Bianco	Hub Cap White	Couvre-Moyeu	Radkappe Weiße	
2	22110314/0		Coprismozzo Grigio	Hub Cap Grey	Couvre-Moyeu Gris	Radkappe Grau	
3	22110348/0		Coprismozzo Grigio	Hub Cap Grey	Couvre-Moyeu Gris	Radkappe Grau	
4	22110382/0		Coprismozzo Grigio	Hub Cap Grey	Couvre-Moyeu Gris	Radkappe Grau	
5	22110417/0		Coprismozzo Grigio	Hub Cap Grey	Couvre-Moyeu Gris	Radkappe Grau	
6	22110496/0		Coprismozzo Grigio	Hub Cap Grey	Couvre-Moyeu Gris	Radkappe Grau	
7	22110494/0		Coprismozzo Grigio	Hub Cap Grey	Couvre-Moyeu Gris	Radkappe Grau	
8	22110492/0		Coprismozzo Grigio	Hub Cap Grey	Couvre-Moyeu Gris	Radkappe Grau	

PAN 504

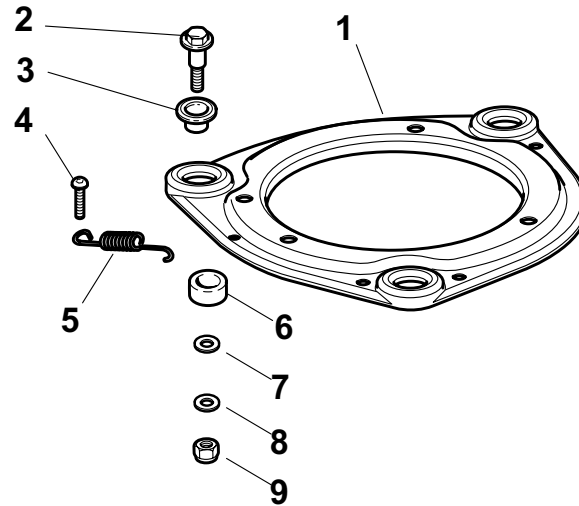


POS.	CODE	Q.TY	DESCRIZIONE	DESCRIPTION	DESCRIPTION	BESCHREIBUNG	REMARKS
1	81003500/0	1	Chassis Rosso	Deck Red	Châssis Rouge	Gehäuse Rot	
2	12155000/0	3	Dado	Nut	Ecrou	Mutter	
3	12521350/0	3	Rosetta	Washer	Rondelle	Scheibe	
4	12691800/0	2	Vite	Screw	Vis	Schraube	(B&S)
4	12692080/0	1	Vite	Screw	Vis	Schraube	(B&S)
4	12691900/0	3	Vite	Screw	Vis	Schraube	(GGP)

POS.	CODE	Q.TY	DESCRIZIONE	DESCRIPTION	DESCRIPTION	BESCHREIBUNG	REMARKS
4A	112735108/1	3	Vite	Screw	Vis	Schraube	(Honda)
5	12728522/0	2	Vite	Screw	Vis	Schraube	
6	22060221/0	1	Carter Cinghia	Protection, Belt	Protection	Schutz, Riemen	
7	12729600/0	1	Vite	Screw	Vis	Schraube	
8	12523040/0	2	Rosetta	Washer	Rondelle	Scheibe	
9	22034000/0	1	Attacco Acqua Lavaggio	Washing Connection	Attaque Lavage	Waschenverbindung	
10	19035000/0	1	Anello Or	Or Ring	Bague Or	Ring Or	
11	12728520/0	3	Vite	Screw	Vis	Schraube	
12	22060146/0	1	Carter Regolazione	Deck, Adjustment	Châssis Reglage	Gehäuse	
13	22546070/0	1	Piastrina	Plate	Plaquette	Platte	
14	22601003/0	1	Protezione	Protection	Protection	Schutz	
15	12155000/0	2	Dado	Nut	Ecrou	Mutter	
17	22778397/1	1	Staffa Sx	Bracket, L	Bride G	Pratze, Linke	
20	22778396/1	1	Staffa Dx	Bracket, R	Bride D	Pratze, Rechte	
21	322601002/1	1	Protezione	Protection	Protection	Schutz	
22	12155000/0	2	Dado	Nut	Ecrou	Mutter	
23	12793301/0	2	Vite	Screw	Vis	Schraube	
24	22595352/0	1	Portina Chiusura	Inspection Door	Voyant De Visite	Abdeckplatte	
25	12729600/0	1	Vite	Screw	Vis	Schraube	
26	22108205/0	1	Convogliatore	Conveyor	Convoyeur	Konveyor	
27	12789000/0	1	Vite	Screw	Vis	Schraube	
28	12523020/0	1	Rosetta	Washer	Rondelle	Scheibe	
29	12154330/0	1	Dado	Nut	Ecrou	Mutter	
30	12731350/0	4	Vite	Screw	Vis	Schraube	
31	22545145/0	2	Piastrina	Plate	Plaquette	Platte	
32	22038399/0	2	Bronzina	Brass	Douille	Buchse	
33	22038407/0	2	Bronzina	Brass	Douille	Buchse	
34	12731350/0	4	Vite	Screw	Vis	Schraube	
35	22545156/0	2	Piastrina	Plate	Plaquette	Platte	
36	22038400/1	2	Bronzina	Brass	Douille	Buchse	
51	81002801/1	1	Asse Ruote Anteriori	Axle, Front Wheels	Axe Roues Avant	Achse, Vorderrad	
52	12530150/0	2	Rosetta Elastica	Elastic Washer	Rondelle Elastique	Elastische Scheibe	
53	22122200/0	4	Cuscinetto	Bearing	Coussinet	Lager	
54	81007317/0	2	Ruota Ø 170	Wheel Ø 170	Roue Ø 170	Rad. Ø 170	
55	12369500/0	2	Rosetta	Washer	Rondelle	Scheibe	
56	12155000/0	2	Dado	Nut	Ecrou	Mutter	
57	-	2	Coprizzo	Hub Cap	Couvre-Moyeu	Radkappe	(See Enclosure 1)
58	81001137/0	1	Asta Comando Regol. Altezza	Rod, Height Adjustment	Tige Commande Reglage Hauteur	Stange, Höherstellung	
59	12000930/0	1	Anello Elastico	Snap Ring	Anneau Ressort	Sprengling	
60	12000930/0	1	Anello Elastico	Snap Ring	Anneau Ressort	Sprengling	
61	122446187/0	1	Molla	Spring	Ressort	Feder	
62	112436051/0	1	Piastrina	Plate	Plaquette	Plättchen	
63	22446176/0	1	Molla	Spring	Ressort	Feder	
64	22517880/1	1	Perno	Pin	Pivot	Bolzen	
65	22672152/0	1	Rosetta	Washer	Rondelle	Scheibe	
66	22322829/1	1	Leva Regolazione Altezza	Lever, Height Adjustment	Levier, Reglage Hauteur	Hebel, Höherstellung	
67	22602000/0	1	Pulsante Comando	Pushbutton, Lever	Bouton De	Steuerhebeldruckk	
68	22672151/0	1	Rosetta	Washer	Rondelle	Scheibe	
69	22785115/0	1	Supporto	Support, Height	Support Reglage	Halter,	
70	12155000/0	1	Dado	Nut	Ecrou	Mutter	
71	12729600/0	1	Vite	Screw	Vis	Schraube	
72	12793101/0	2	Vite	Screw	Vis	Schraube	

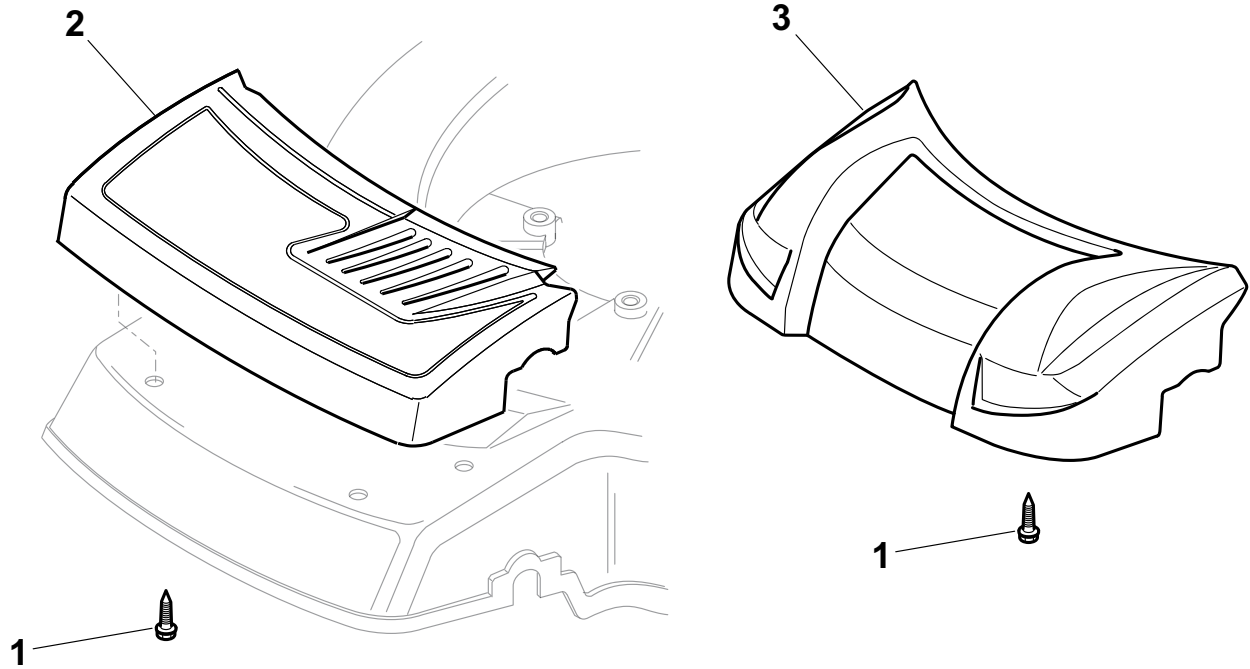
POS.	CODE	Q.TY	DESCRIZIONE	DESCRIPTION	DESCRIPTION	BESCHREIBUNG	REMARKS
73	12293201/0	2	Dado	Nut	Ecrou	Mutter	
74	12154510/0	1	Dado	Nut	Ecrou	Mutter	
75	22519746/0	1	Perno	Pin	Pivot	Bolzen	
78	81002804/1	1	Asse Ruote Posteriori	Axle, Rear Wheels	Axe Roues Arriere	Achse, Hinterrad	
81	12530150/0	2	Rosetta Elastica	Elastic Washer	Rondelle Elastique	Elastische Scheibe	
82	22122200/0	4	Cuscinetto	Bearing	Coussinet	Lager	
83	81007318/1	2	Ruota Ø 210	Wheel Ø 210	Roue Ø 210	Rad. Ø 210	
84	12521350/0	2	Rosetta	Washer	Rondelle	Scheibe	
85	12155000/0	2	Dado	Nut	Ecrou	Mutter	
86	-	2	Coprimezzo	Hub Cap	Couvre-Moyeu	Radkappe	(See Enclosure 2)
91	22600144/0	2	Protezione	Protection	Protection	Schutz	
92	381007378/0	2	Ruota Ø 170	Wheel Ø 170	Roue Ø 170	Rad. Ø 170	
93	22110418/0	2	Coprimezzo	Hub Cap	Couvre-Moyeu	Radkappe	
94	81007382/0	2	Ruota Ø 210	Wheel Ø 210	Roue Ø 210	Rad. Ø 210	
95	22110419/0	2	Coprimezzo	Hub Cap	Couvre-Moyeu	Radkappe	
96	22675100/0	2	Rosetta	Washer	Rondelle	Scheibe	
97	22672151/0	2	Rosetta	Washer	Rondelle	Scheibe	
171	22140224/0	1	Tappo	Cap	Bouchon	Gummistopfen	

PAN 504



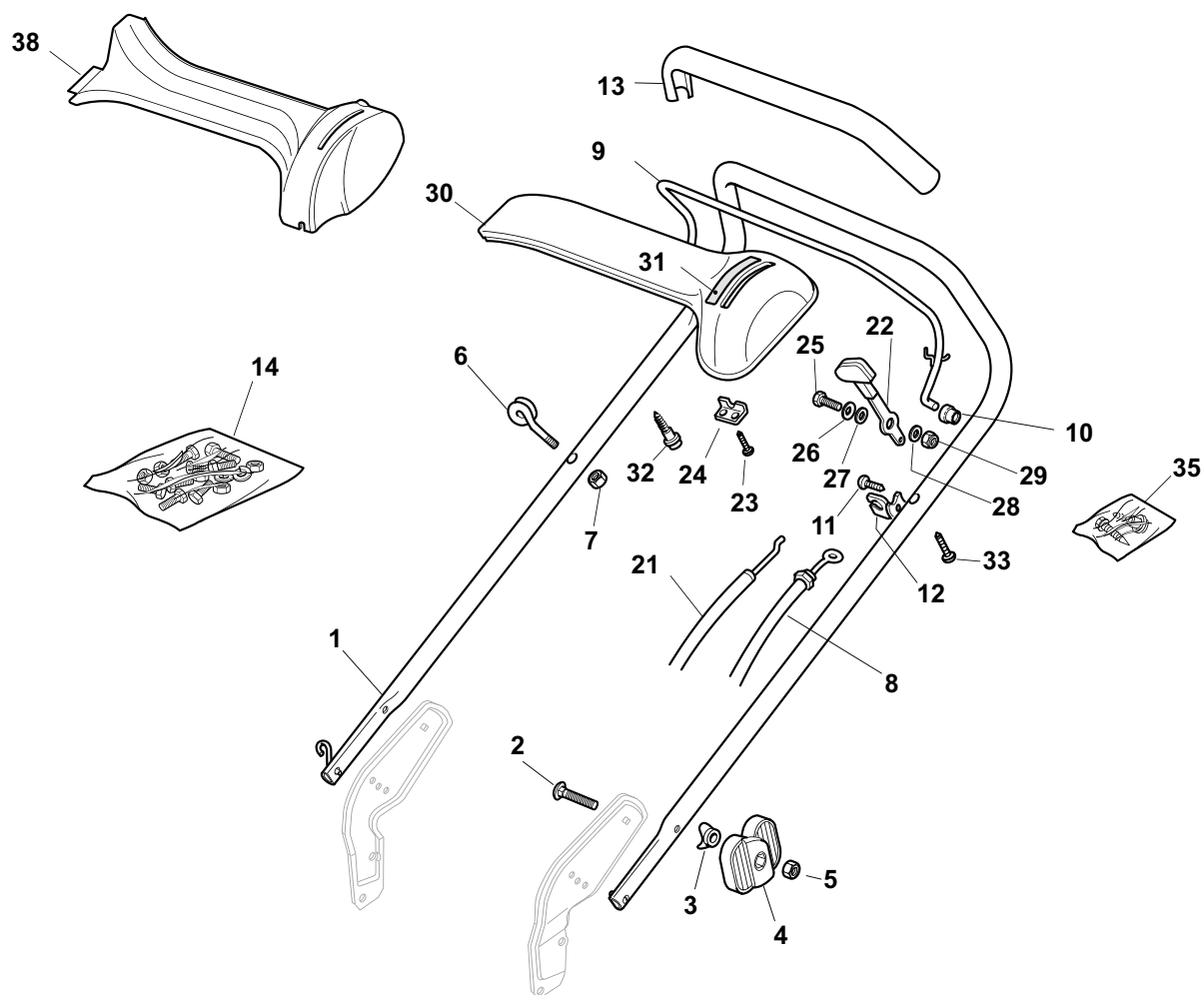
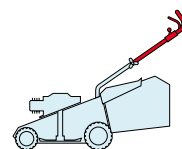
POS.	CODE	Q.TY	DESCRIZIONE	DESCRIPTION	DESCRIPTION	BESCHREIBUNG	REMARKS
1	22207223/0	1	Flangia	Flange	Bride	Flansch	
2	22524329/0	3	Perno	Pin	Pivot	Bolzen	
3	22672201/0	3	Rosetta	Washer	Rondelle	Scheibe	
4	12729601/1	1	Vite	Screw	Vis	Schraube	
5	22450445/0	1	Molla	Spring	Ressort	Feder	
6	22250012/0	3	Gommino	Grommet	Caoutchouc	Gummi	
7	22671651/0	3	Rosetta	Washer	Rondelle	Scheibe	
8	12521350/0	3	Rosetta	Washer	Rondelle	Scheibe	
9	12155000/0	3	Dado	Nut	Ecrou	Mutter	

PAN 504



POS.	CODE	Q.TY	DESCRIZIONE	DESCRIPTION	DESCRIPTION	BESCHREIBUNG	REMARKS
1	112735420/0	4	Vite	Screw	Vis	Schraube	
2	22226050/0	1	Mascherina, Nero	Mask, Black	Mesque, Noir	Maske, Schwarz	
3	322226112/1	1	Mascherina, Grigio	Mask, Grey	Mesque, Gris	Maske, Grau	

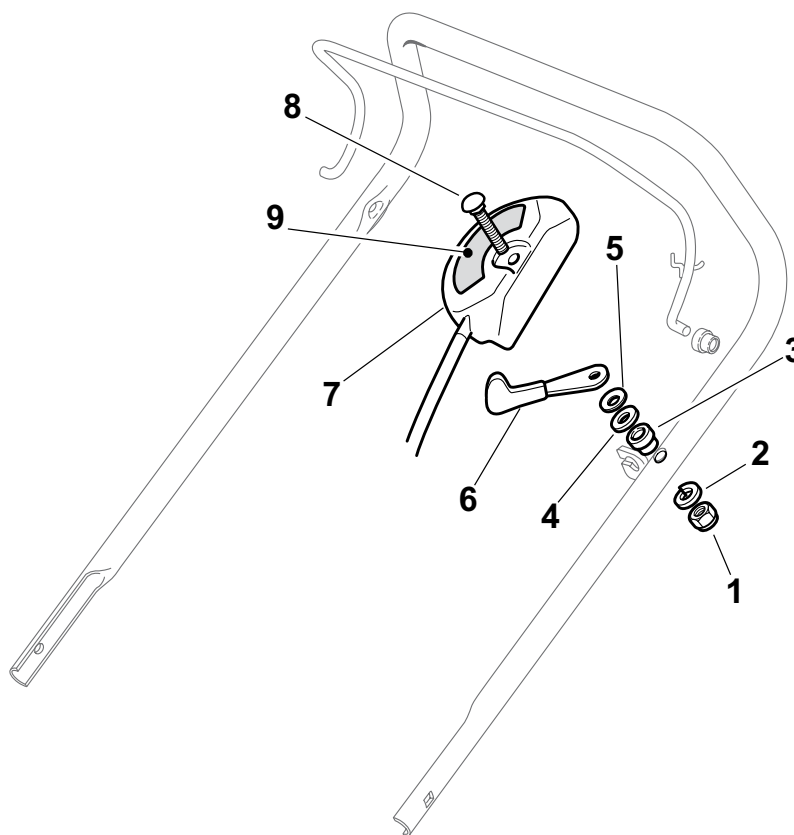
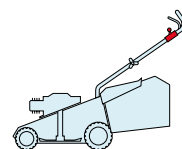
PAN 504



POS.	CODE	Q.TY	DESCRIZIONE	DESCRIPTION	DESCRIPTION	BESCHREIBUNG	REMARKS
1	81006859/0	1	Manico, Parte Sup	Handle, Upper Part	Mancheron, Partie Supérieure	Holm, Oberteil	
2	12819120/0	2	Vite	Screw	Vis	Schraube	
3	22680006/1	2	Rosetta	Washer	Rondelle	Scheibe	
4	22399803/0	2	Manopolina	Knob	Poignée	Griff	
5	12293200/0	2	Dado	Nut	Ecrou	Mutter	
6	22430309/0	1	Molla Guida	Guide Spring	Ressort De Guide	Feder Führer	
7	12154330/0	1	Dado	Nut	Ecrou	Mutter	
8	81000642/1	1	Cavo Freno Motore	Cable, Thread Engine Brake	Cable Frein Moteur	Kabel, Motorbremse	(B&S 625-675 Series)
8	81000757/0	1	Cavo Freno Motore	Cable, Thread Engine Brake	Cable Frein Moteur	Kabel, Motorbremse	(Ggp 140cc)
8	81000757/0	1	Cavo Freno Motore	Cable, Thread Engine Brake	Cable Frein Moteur	Kabel, Motorbremse	(Ggp 160cc)
8	81000757/0	1	Cavo Freno Motore	Cable, Thread Engine Brake	Cable Frein Moteur	Kabel, Motorbremse	(Ggp 196cc)
8	81000616/1	1	Cavo Freno Motore	Cable, Thread Engine Brake	Cable Frein Moteur	Kabel, Motorbremse	(Honda)
9	81003291/3	1	Leva Freno Motore	Lever, Engine Brake	Levier Frein Moteur	Hebel, Motorbremse	
10	22041966/0	2	Bussola	Bush	Douille	Buchse	
11	12728518/0	1	Vite	Screw	Vis	Schraube	
12	22806612/0	1	Supporto	Support	Support	Halter	
13	22291050/0	1	Impugnatura Manico Nera	Handgrip Black	Poignée Noire	Handgriff Schwarz	
14	81008610/0	1	Dotazione Viteria	Outfit, Screws	Dotation Visserie	Satz, Schrauben	
21	81007160/0	1	Cavo Acceleratore	Throttle Cable	Cable, Accelérateur	Gashebel Kabel	

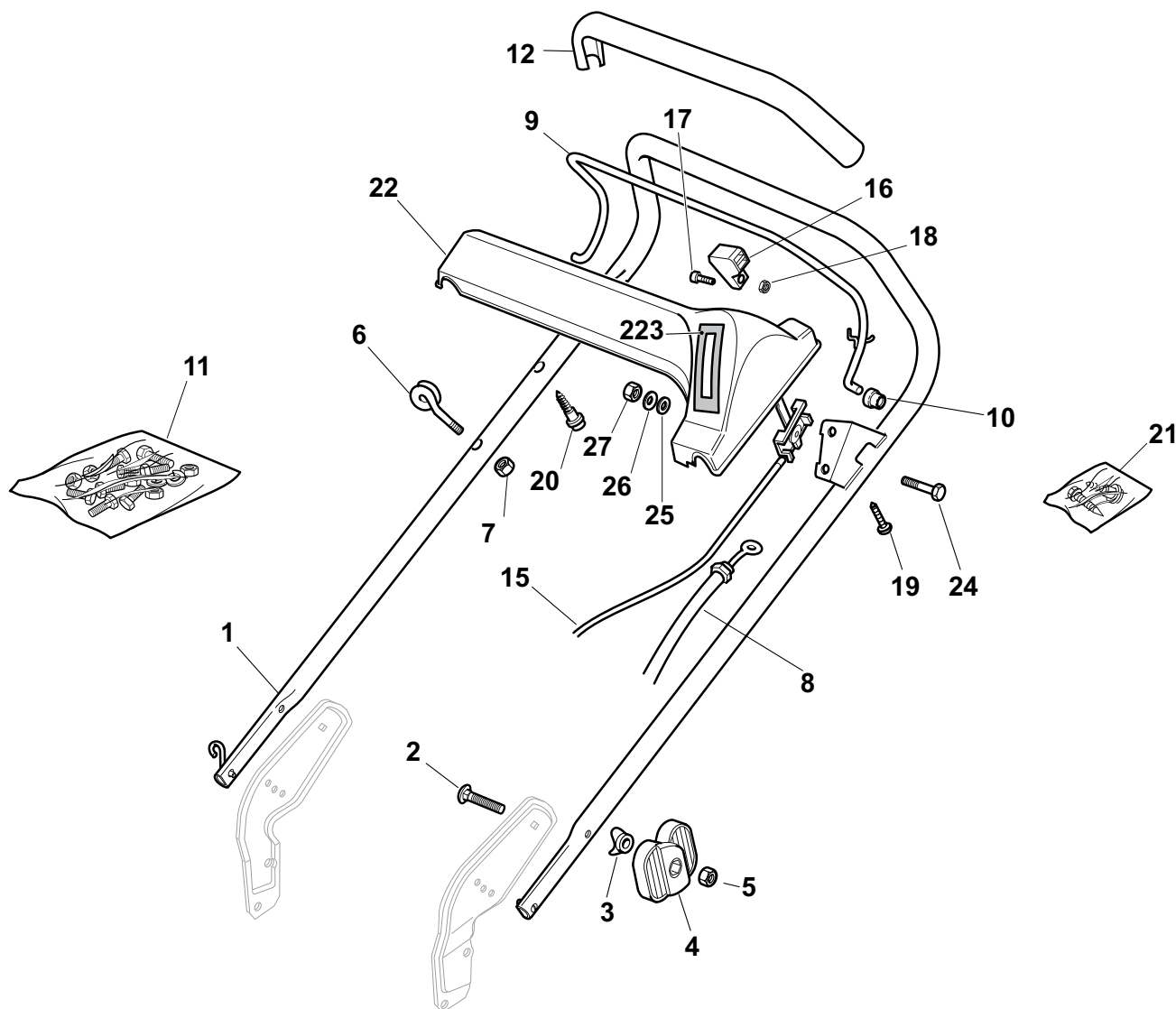
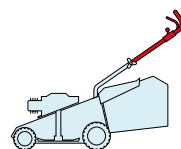
POS.	CODE	Q.TY	DESCRIZIONE	DESCRIPTION	DESCRIPTION	BESCHREIBUNG	REMARKS
22	81007280/2	1	Leva, Acceleratore	Lever, Throttle	Levier,	Hebel, Beshleuniger	(B&S 625-675-700 Series - Honda - Ggp 140-160-196 cc)
22	81007221/0	1	Leva, Acceleratore	Lever, Throttle	Levier,	Hebel, Beshleuniger	(B&S 450-500 Series - Ggp 150 cc)
23	12735105/0	2	Vite	Screw	Vis	Schraube	
24	22981467/0	1	Piastrina	Plate	Plaquette	Platte	
25	12791500/0	1	Vite	Screw	Vis	Schraube	
26	12530060/0	1	Rosetta Elastica	Elastic Washer	Rondelle Elastique	Elastische Scheibe	
27	12523040/0	1	Rosetta	Washer	Rondelle	Scheibe	
28	12523040/0	1	Rosetta	Washer	Rondelle	Scheibe	
29	12154510/0	1	Dado	Nut	Ecrou	Mutter	
30	22120152/0	1	Cruscotto Giallo	Dash Board Yellow	Console Jaune	Konsole Gelbe	
30	22120154/0	1	Cruscotto Rosso	Dash Board Red	Console Rouge	Konsole Rote	
30	22120158/0	1	Cruscotto Nero	Dash Board Black	Console Noire	Konsole Schwarze	
31	114356744/1	1	Etichetta	Label	Etiquette	Etikette	(B&S)
31	114356906/1	1	Etichetta	Label	Etiquette	Etikette	(B&S 700 series DOV)
31	114356743/1	1	Etichetta	Label	Etiquette	Etikette	(GGP)
31	114356743/1	1	Etichetta	Label	Etiquette	Etikette	(Honda)
31	114357646/1	1	Etichetta	Label	Etiquette	Etikette	(Honda GCV 160-190 Autochoke)
32	22943006/0	1	Vite	Screw	Vis	Schraube	
33	12728460/0	1	Vite	Screw	Vis	Schraube	
35	81008609/0	1	Dotazione Viteria Cruscotto	Outfit, Dash-Board Screws	Dotation Visserie Console	Satz, Konsole Schrauben	
38	22120172/0	1	Cruscotto Nero	Dash Board Black	Console Noire	Konsole Schwarze	
38	22120173/0	1	Cruscotto Rosso	Dash Board Red	Console Rouge	Konsole Rote	
38	22120174/0	1	Cruscotto Giallo	Dash Board Yellow	Console Jaune	Konsole Gelbe	

PAN 504



POS.	CODE	Q.TY	DESCRIZIONE	DESCRIPTION	DESCRIPTION	BESCHREIBUNG	REMARKS
1	12291000/0	1	Dado	Nut	Ecrou	Mutter	
2	12581500/0	1	Grower	Grower	Grower	Federring	
3	22171005/0	1	Distanziale	Spacer	Entretoise	Distanzring	
4	12521360/0	1	Rosetta	Washer	Rondelle	Scheibe	
5	12508100/0	1	Rosetta Elastica	Spring Washer	Rondelle Elastique	Elastische Scheibe	
6	81007279/1	1	Leva, Acceleratore	Lever, Throttle	Levier, Accelérateur	Hebel, Beschleuniger	(B&S 625-675-700 Series - Honda - Ggp 140-160-196 cc)
6	81007220/0	1	Leva, Acceleratore	Lever, Throttle	Levier, Accelérateur	Hebel, Beschleuniger	(B&S 450-500 Series - Ggp 150 cc)
7	81007080/0	1	Cavo Acceleratore	Throttle Cable	Cable, Accelérateur	Gashebel Kabel	
8	12815000/0	1	Vite	Screw	Vis	Schraube	
9	14356703/0	1	Etichetta	Label	Etiquette	Etikette	(B&S)
9	114356905/0	1	Etichetta	Label	Etiquette	Etikette	(B&S 700 series DOV)
9	14356702/0	1	Etichetta	Label	Etiquette	Etikette	(GGP)
9	114364264/0	1	Etichetta	Label	Etiquette	Etikette	AVS (GGP 160-196)
9	14356702/0	1	Etichetta	Label	Etiquette	Etikette	(Honda)
9	114356905/0	1	Etichetta	Label	Etiquette	Etikette	(Honda GCV 160-190 Autochoke)

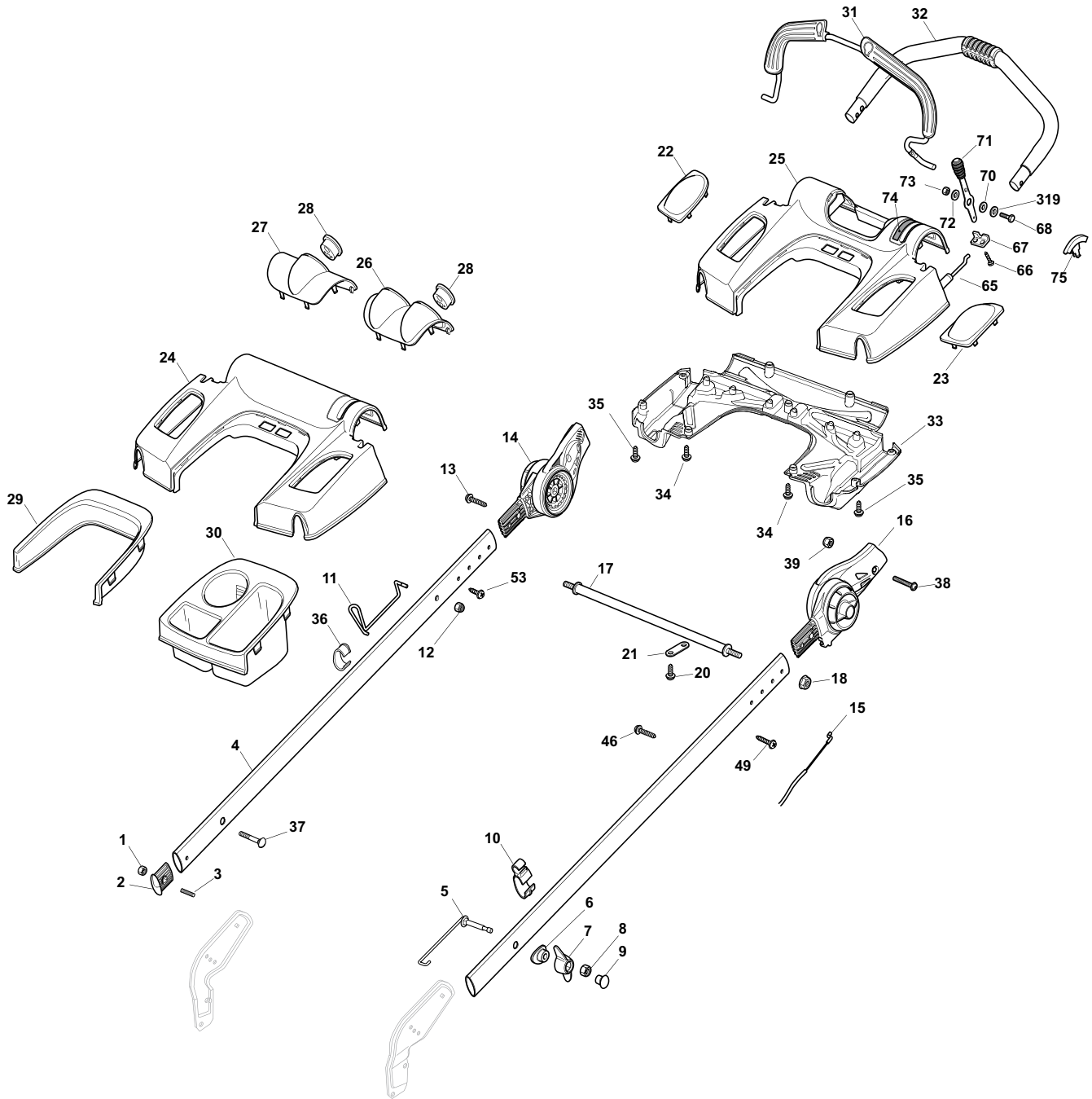
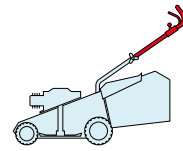
PAN 504



POS.	CODE	Q.TY	DESCRIZIONE	DESCRIPTION	DESCRIPTION	BESCHREIBUNG	REMARKS
1	81007022/1	1	Manico, Parte Sup	Handle, Upper Part	Mancheron, Partie Supérieure	Holm, Oberteil	
2	12819120/0	2	Vite	Screw	Vis	Schraube	
3	22680006/1	2	Rosetta	Washer	Rondelle	Scheibe	
4	22399803/0	2	Manopolina	Knob	Poignée	Griff	
5	12293200/0	2	Dado	Nut	Ecrou	Mutter	
6	22430309/0	1	Molla Guida	Guide Spring	Ressort De Guide	Feder Führer	
7	12154330/0	1	Dado	Nut	Ecrou	Mutter	
8	81000757/0	1	Cavo Freno Motore	Cable, Thread Engine Brake	Cable Frein Moteur	Kabel, Motorbremse	(B&S 625-675 Series)
8	181030006/0	1	Cavo Freno Motore	Cable, Thread Engine Brake	Cable Frein Moteur	Kabel, Motorbremse	(B&S 700 Series)
8	81000757/0	1	Cavo Freno Motore	Cable, Thread Engine Brake	Cable Frein Moteur	Kabel, Motorbremse	(Ggp 140cc)
8	81000757/0	1	Cavo Freno Motore	Cable, Thread Engine Brake	Cable Frein Moteur	Kabel, Motorbremse	(Ggp 160cc)
8	81000757/0	1	Cavo Freno Motore	Cable, Thread Engine Brake	Cable Frein Moteur	Kabel, Motorbremse	(Ggp 196cc)
8	81000616/1	1	Cavo Freno Motore	Cable, Thread Engine Brake	Cable Frein Moteur	Kabel, Motorbremse	(Honda)
9	81003291/3	1	Leva Freno Motore	Lever, Engine Brake	Levier Frein Moteur	Hebel, Motorbremse	
10	22041966/0	2	Bussola	Bush	Douille	Buchse	

POS.	CODE	Q.TY	DESCRIZIONE	DESCRIPTION	DESCRIPTION	BESCHREIBUNG	REMARKS
11	81008610/0	1	Dotazione Viteria	Outfit, Screws	Dotation Visserie	Satz, Schrauben	
12	22291050/0	1	Impugnatura Manico Nera	Handgrip Black	Poignée Noire	Handgriff Schwarz	
15	81007091/0	1	Cavo Acceleratore	Throttle Cable	Cable, Accelérateur	Gashebel Kabel	(B&S)
15	81007092/0	1	Cavo Acceleratore	Throttle Cable	Cable, Accelérateur	Gashebel Kabel	(Honda - Ggp)
16	22399801/0	1	Manopolina	Knob	Poignée	Griff	
17	12726388/0	1	Vite	Screw	Vis	Schraube	
18	12290800/0	1	Dado	Nut	Ecrou	Mutter	
19	12728460/0	1	Vite	Screw	Vis	Schraube	
20	22943006/0	1	Vite	Screw	Vis	Schraube	
21	81008499/1	1	Dotazione Viteria Cru- scotto	Outfit, Dash-Board Screws	Dotation Visserie Consolle	Satz, Konsole Schrauben	
22	22120148/0	1	Cruscotto Giallo	Dash Board Yellow	Console Jaune	Konsole Gelbe	
22	22120150/0	1	Cruscotto Rosso	Dash Board Red	Console Rouge	Konsole Rote	
22	22120164/0	1	Cruscotto Nero	Dash Board Black	Console Noire	Konsole Schwarze	
23	14361477/0	1	Etichetta	Label	Etiquette	Etikette	(Ggp)
23	14356693/0	1	Etichetta	Label	Etiquette	Etikette	(B&S)
23	14356692/0	1	Etichetta	Label	Etiquette	Etikette	(Honda)
23	114357387/0	1	Etichetta	Label	Etiquette	Etikette	(Honda GCV 160-190 Autochoke)
24	12788910/0	2	Vite	Screw	Vis	Schraube	
25	12523020/0	2	Rosetta	Washer	Rondelle	Scheibe	
26	12581500/0	2	Grower	Grower	Grower	Federring	
27	12291000/0	2	Dado	Nut	Ecrou	Mutter	

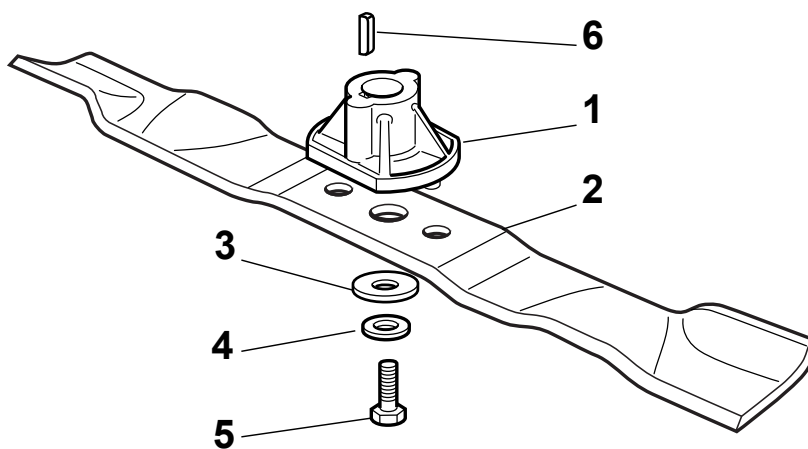
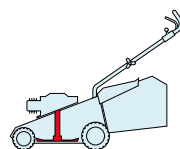
PAN 504



POS.	CODE	Q.TY	DESCRIZIONE	DESCRIPTION	DESCRIPTION	BESCHREIBUNG	REMARKS
1	12154510/0	2	Dado	Nut	Ecrou	Mutter	
2	22820071/0	2	Puntale	Cap	Bouchon	Gummistopfen	
3	12789450/0	2	Vite	Screw	Vis	Schraube	
4	322498105/1	2	Manico	Handle	Mancheron	Holm	
5	381003805/0	1	Molla Guida	Spring	Ressort	Feder	
6	22680012/0	2	Rosetta	Washer	Rondelle	Scheibe	
7	22399821/0	2	Manopolina	Knob	Poignée	Griff	
8	12293200/0	2	Dado	Nut	Ecrou	Mutter	
9	322820072/1	2	Tappo	Cap	Bouchon	Stopfen	
10	22192003/0	1	Fermacavo	Fairlead	Fixation Cable	Kabelbefestigung	

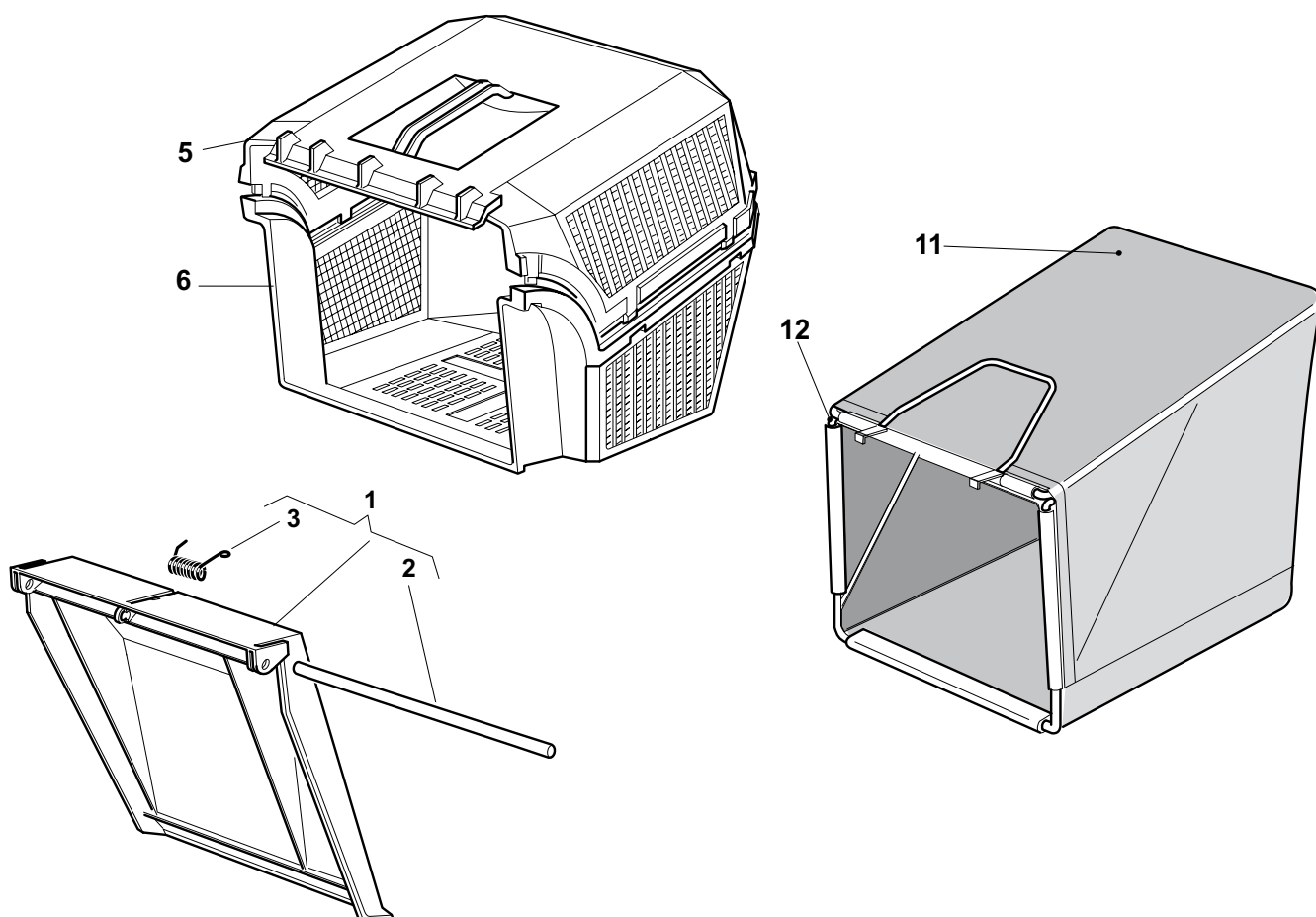
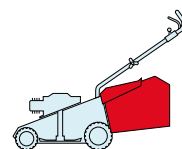
POS.	CODE	Q.TY	DESCRIZIONE	DESCRIPTION	DESCRIPTION	BESCHREIBUNG	REMARKS
11	122430316/1	1	Molla Guida	Spring	Ressort	Feder	
12	12154330/0	1	Dado	Nut	Ecrou	Mutter	
13	112728698/0	1	Vite	Screw	Vis	Schraube	
14	381745003/0	1	Snodo	Joint	Joint	Gelenk	
15	181030019/1	1	Cavo Freno Motore	Cable, Thread Engine Brake	Cable Frein Moteur	Kabel, Motorbremse	(B&S 625-675 Series)
15	181030031/0	1	Cavo Freno Motore	Cable, Thread Engine Brake	Cable Frein Moteur	Kabel, Motorbremse	(Ggp 140cc)
15	181030031/0	1	Cavo Freno Motore	Cable, Thread Engine Brake	Cable Frein Moteur	Kabel, Motorbremse	(Ggp 160cc)
15	181030031/0	1	Cavo Freno Motore	Cable, Thread Engine Brake	Cable Frein Moteur	Kabel, Motorbremse	(Ggp 196cc)
15	181030020/0	1	Cavo Freno Motore	Cable, Thread Engine Brake	Cable Frein Moteur	Kabel, Motorbremse	(Honda)
16	381745004/0	1	Snodo	Joint	Joint	Gelenk	
17	122608537/1	1	Rinforzo	Stiffening	Renforcement	Verstaerkung	
28	12293201/0	2	Dado	Nut	Ecrou	Mutter	
20	112728696/0	2	Vite	Screw	Vis	Schraube	
21	322981471/0	2	Piastrina	Plate	Plaque	Platte	
22	322557155/1	1	Coperchio	Cover	Couvercle	Deckel	
23	322557156/1	1	Coperchio	Cover	Couvercle	Deckel	
24	322120184/2	1	Cruscotto	Dash Board	Console	Konsole	
25	322120185/2	1	Cruscotto	Dash Board	Console	Konsole	
26	322109542/1	1	Coperchio	Cover	Couvercle	Deckel	
27	322109541/1	1	Coperchio	Cover	Couvercle	Deckel	
28	122480000/1	1	Orologio	Clock	Montre	Uhr	
29	322109543/1	1	Protezione	Protection	Protection	Schutz	
30	322109540/1	1	Vaschette Portaoggetti	Tray	Bac De Rangement	Ablage	
31	381003327/0	1	Leva Freno Motore	Lever, Engine Brake	Levier Frein Moteur	Hebel, Motorbremse	
32	381006670/2	1	Impugnatura Manico	Handgrip	Poignée	Handgriff	
33	322109547/0	1	Coperchio	Cover	Couvercle	Deckel	
34	112728695/0	7	Vite	Screw	Vis	Schraube	
35	112728696/0	2	Vite	Screw	Vis	Schraube	
36	322192004/0	1	Fascetta	Anchor Clamp	Collier Ancrage	Bowdenzughalter	
37	122943011/0	1	Vite	Screw	Vis	Schraube	
38	112727799/0	2	Vite	Screw	Vis	Schraube	
39	12154510/0	2	Dado	Nut	Ecrou	Mutter	
46	12728526/0	1	Vite	Screw	Vis	Schraube	
49	112728698/0	1	Vite	Screw	Vis	Schraube	
53	12728526/0	1	Vite	Screw	Vis	Schraube	
65	81007160/0	1	Cavo Acceleratore	Throttle Cable	Cable, Accelérateur	Gashebel Kabel	
66	12735105/0	2	Vite	Screw	Vis	Schraube	
67	22981467/0	1	Piastrina	Plate	Plaque	Platte	
68	12791500/0	1	Vite	Screw	Vis	Schraube	
69	12530060/0	1	Rosetta	Washer	Rondelle	Scheibe	
70	12523040/0	1	Rosetta	Washer	Rondelle	Scheibe	
71	381007225/1	1	Leva, Acceleratore - Nera	Lever, Throttle	Levier,	Hebel, Beshleuniger	
71	381007222/1	1	Leva, Acceleratore - Rossa	Lever, Throttle	Levier,	Hebel, Beshleuniger	
72	12523040/0	1	Rosetta	Washer	Rondelle	Scheibe	
73	12154510/0	1	Dado	Nut	Ecrou	Mutter	
74	114361912/1	1	Etichetta	Label	Etiquette	Etikette	(B&S)
74	114362568/0	1	Etichetta	Label	Etiquette	Etikette	(B&S 700 series DOV)
74	114361913/1	1	Etichetta	Label	Etiquette	Etikette	(Honda)
74	114362568/0	1	Etichetta	Label	Etiquette	Etikette	(Honda GCV 160-190 Autochoke)
74	114362229/1	1	Etichetta	Label	Etiquette	Etikette	(Ggp)
74	114362230/1	1	Etichetta	Label	Etiquette	Etikette	AVS (Ggp 196 cc)
75	22557160/0	1	Tappo	Cap	Bouchon	Gummistopfen	

PAN 504



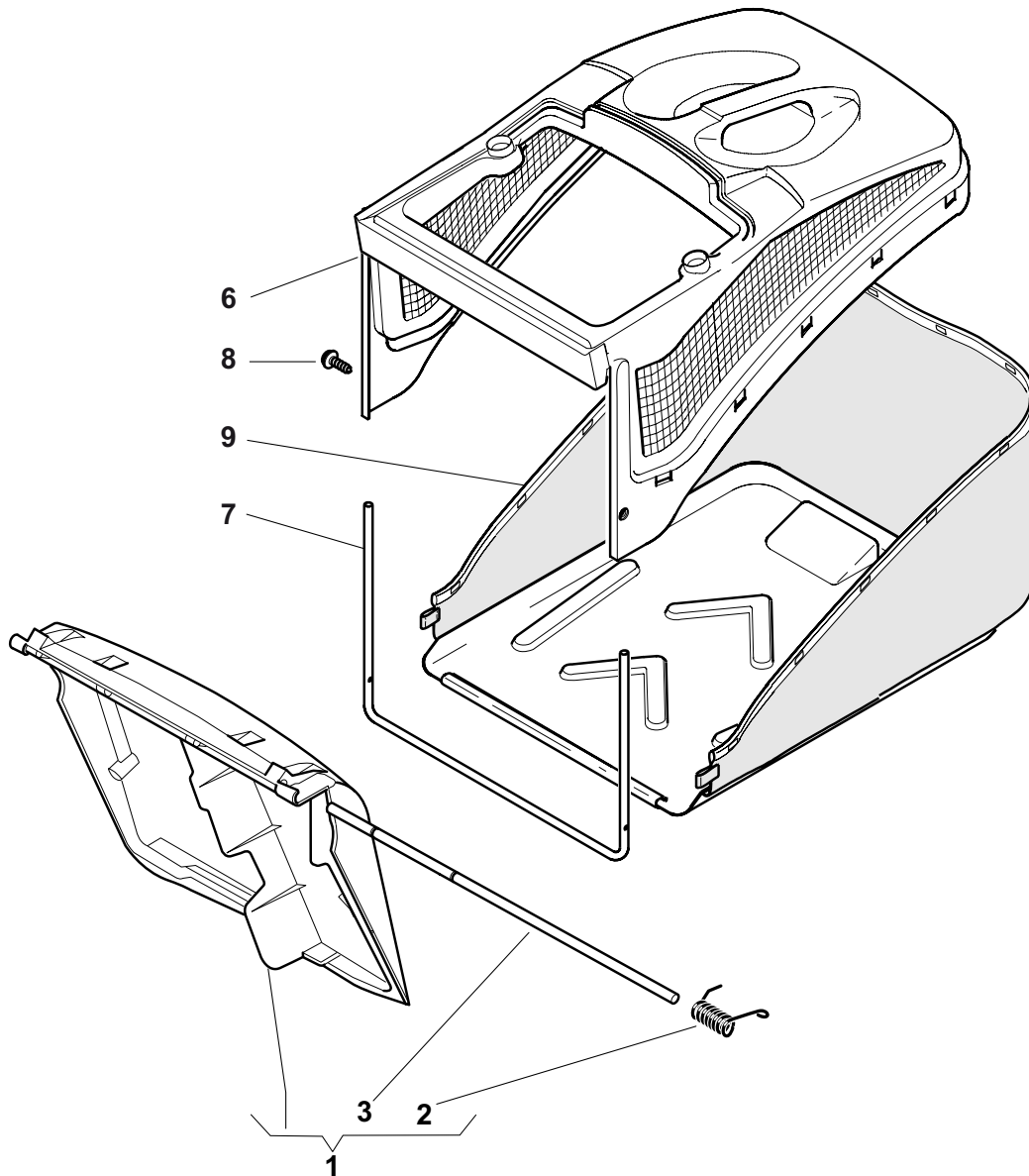
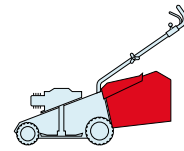
POS.	CODE	Q.TY	DESCRIZIONE	DESCRIPTION	DESCRIPTION	BESCHREIBUNG	REMARKS
1	22463012/2	1	Mozzo, Albero Motore Ø 22.2	Hub, Crankshaft Ø 22.2	Moyeu, Arbre Moteur Ø 22.2	Halter, Motorwelle Ø 22.2	
1	122463020/1	1	Mozzo, Albero Motore Ø 25	Hub, Crankshaft Ø 25	Moyeu, Arbre Moteur Ø 25	Halter, Motorwelle Ø 25	
2	81004366/2	1	Coltello Standard	Blade Standard	Lame Standard	Messer Standard	
3	22160400/0	1	Disco Elastico	Elastic Washer	Rondelle Elastique	Elastischescheibe	
4	12523080/0	1	Rosetta	Washer	Rondelle	Scheibe	
5	12735698/0	1	Vite	Screw	Vis	Schraube	
6	12139100/0	1	Linguetta, Albero Motore Ø 22.2	Feather, Crankshaft Ø 22.2	Clavette, Arbre Moteur Ø 22.2	Keil, Motorwelle Ø 22.2	
6	12139150/0	1	Linguetta, Albero Motore Ø 25	Feather, Crankshaft Ø 25	Clavette, Arbre Moteur Ø 25	Keil, Motorwelle Ø 25	

PAN 504



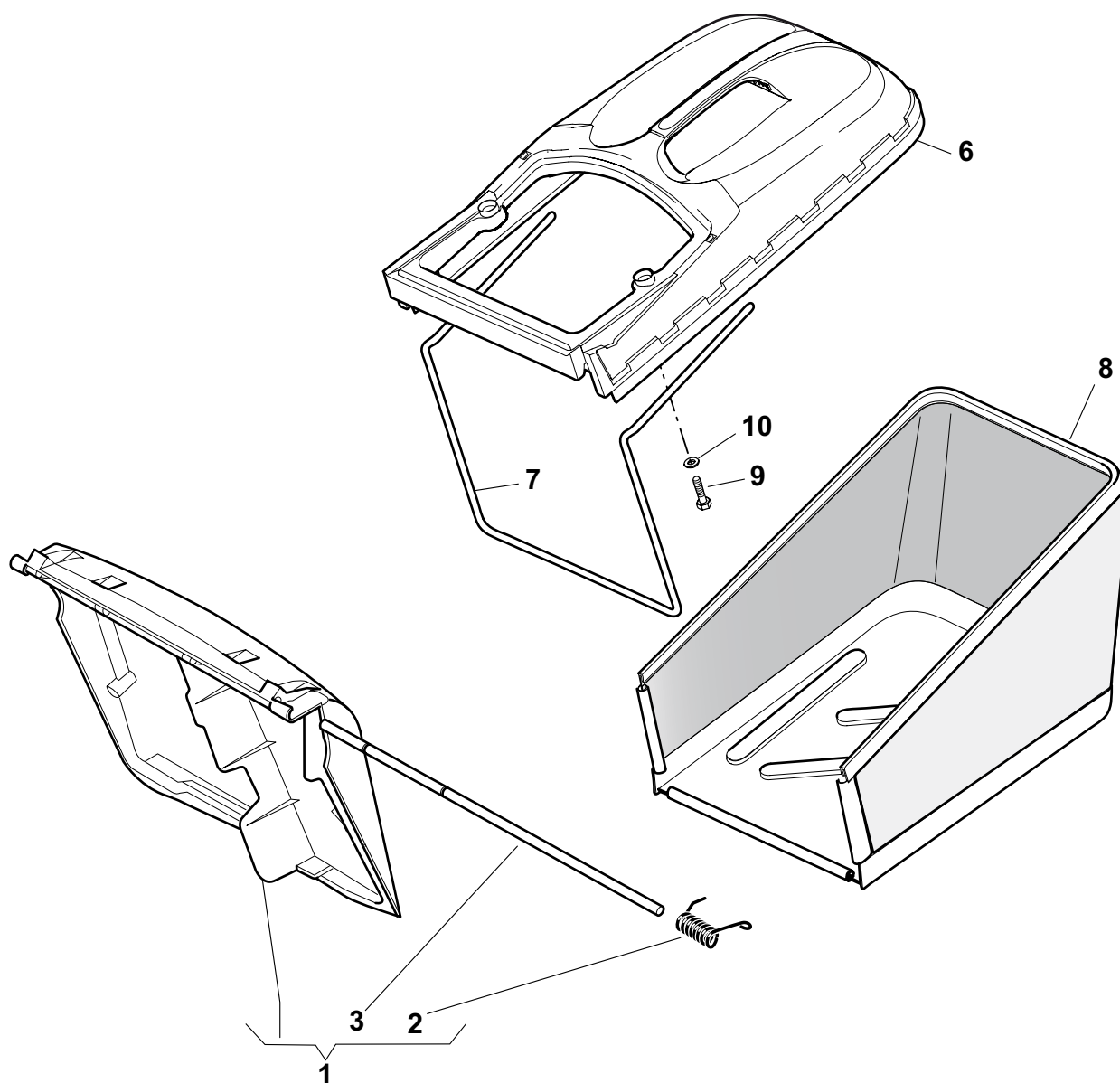
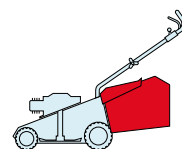
POS.	CODE	Q.TY	DESCRIZIONE	DESCRIPTION	DESCRIPTION	BESCHREIBUNG	REMARKS
1	381008044/0	1	Parasassi	Stone-Guard	Pare-Pierres	Prallblech	
2	22517856/1	1	Perno	Pin	Pivot	Bolzen	
3	22450270/0	1	Molla	Spring	Ressort	Feder	
5	22486065/0	1	Sacco, Parte Sup	Grass-Box, Upper	Sac, Partie Superieure	Korb, Oberteil	
6	22486064/0	1	Sacco, Parte Inf	Grass-Box, Lower	Sac, Partie Inferieure	Korb, Unterteil	
11	81002124/1	1	Sacco, Tela	Box, Fabric	Sac, Toile	Sack, Tuck	
12	81006430/0	1	Telaio Sacco	Chassis Box	Châssis Bac	Rahmen Sack	

PAN 504



POS.	CODE	Q.TY	DESCRIZIONE	DESCRIPTION	DESCRIPTION	BESCHREIBUNG	REMARKS
1	381008050/0	1	Parasassi	Stone-Guard	Pare-Pierres	Prallblech	
2	22451000/0	1	Molla	Spring	Ressort	Feder	
3	22517857/0	1	Perno	Pin	Pivot	Bolzen	
6	22486094/0	1	Sacco, Parte Sup	Grass-Box, Upper	Sac, Partie	Korb, Oberteil	
7	22608524/0	1	Rinforzo Inf	Stiffening Lower	Réinforcement Inf	Verstärkung	
8	12728445/0	2	Vite	Screw	Vis	Schraube	
9	81002196/0	1	Sacco, Tela	Box, Fabric	Sac, Toile	Sack, Tuck	

PAN 504



POS.	CODE	Q.TY	DESCRIZIONE	DESCRIPTION	DESCRIPTION	BESCHREIBUNG	REMARKS
1	381008050/0	1	Parasassi	Stone-Guard	Pare-Pierres	Prallblech	
2	22451000/0	1	Molla	Spring	Ressort	Feder	
3	22517857/0	1	Perno	Pin	Pivot	Bolzen	
6	22486102/0	1	Sacco, Parte Sup	Grass-Box, Upper	Sac, Partie	Korb, Oberteil	
7	22608526/0	1	Rinforzo Inf	Stiffening Lower	Réinforcement Inf	Verstärkung	
8	81002212/0	1	Sacco, Tela	Box, Fabric	Sac, Toile	Sack, Tuck	
9	12728680/0	2	Vite	Screw	Vis	Schraube	
10	12523050/0	2	Rosetta	Washer	Rondelle	Scheibe	