

Genuine Spare Parts

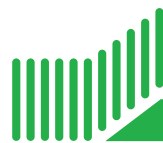
Catalogo delle parti di ricambio
Spare parts catalogue
Catalogue des pieces de rechange
Ersatzteilkatalog

2010

- Use GLOBAL GARDEN PRODUCT Genuine Spare Parts specified in the parts list for repair and/or replacement.
- The contents described in the parts list may change due to improvement.
- The drawings of the spare parts are only indicative and might not represent the part in question exactly.
- The indications "right" - "left" - "front" - "rear" refer to the position of the operator when using the machine.
- When placing orders of parts for repair and/or replacement, make sure that the illustrated parts list is the one applying to the machine's year of manufacture, as shown on the identification plate attached to the machine.

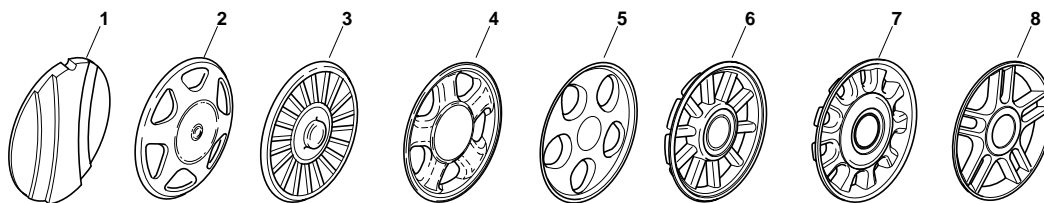
COPYRIGHT by GLOBAL GARDEN PRODUCTS

All rights reserved. No part of this material may be reproduced or transmitted, in any form or by any means, electronic or mechanical, including photocopying, recording or by any information storage and retrieval system, without permission in writing from GLOBAL GARDEN PRODUCTS.



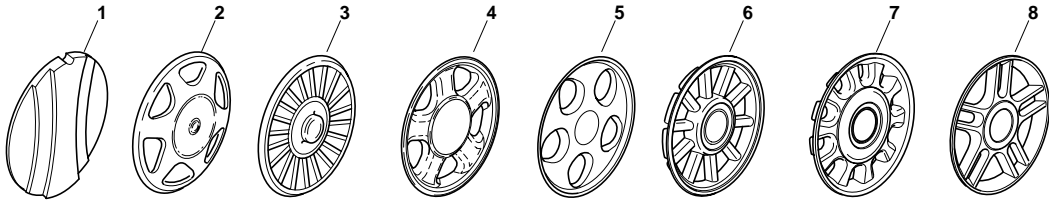
GLOBAL GARDEN PRODUCTS

ENCLOSURE 1



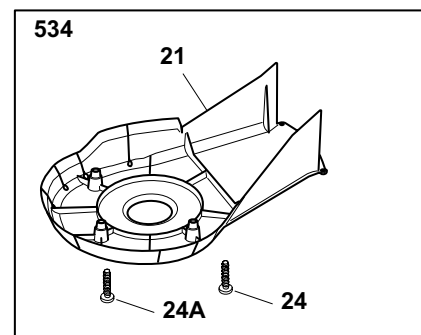
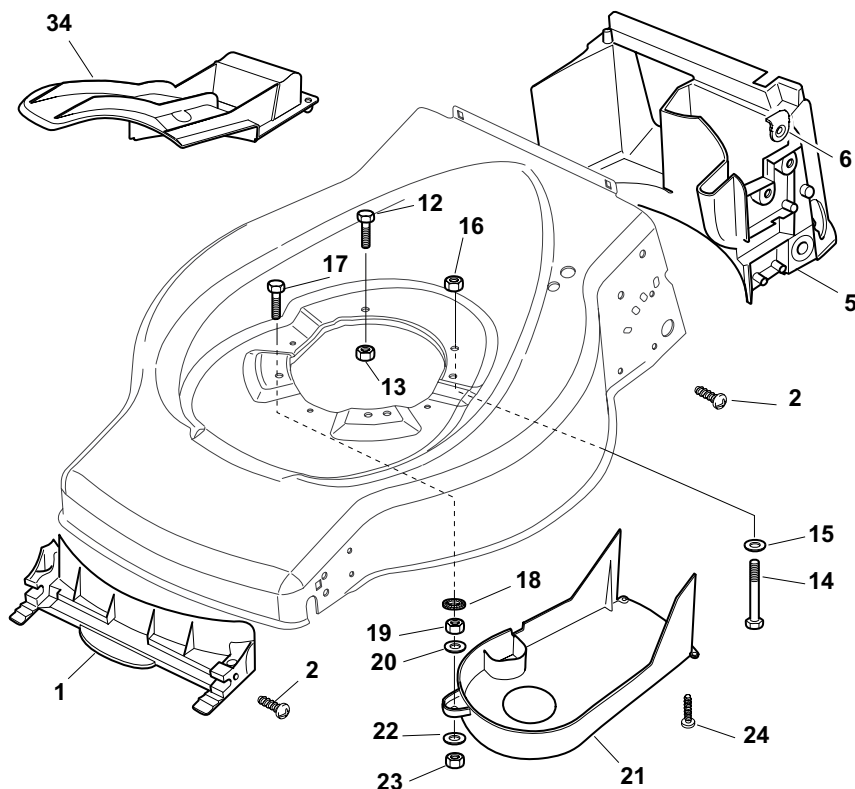
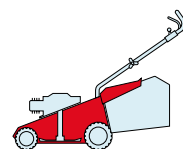
POS.	CODE	Q.TY	DESCRIZIONE	DESCRIPTION	DESCRIPTION	BESCHREIBUNG	REMARKS
1	22110252/1		Coprimozzo Bianco	Hub Cap White	Couvre-Moyeu	Radkappe Weiße	
1	22110254/1		Coprimozzo Giallo	Hub Cap Yellow	Couvre-Moyeu	Radkappe Gelbe	
1	22110255/1		Coprimozzo Rosso	Hub Cap Red	Couvre-Moyeu	Radkappe Rote	
2	22110344/0		Coprimozzo Bianco	Hub Cap White	Couvre-Moyeu	Radkappe Weiße	
2	22110395/0		Coprimozzo Grigio	Hub Cap Grey	Couvre-Moyeu Gris	Radkappe Grau	
3	22110347/0		Coprimozzo Grigio	Hub Cap Grey	Couvre-Moyeu Gris	Radkappe Grau	
4	22110381/0		Coprimozzo Grigio	Hub Cap Grey	Couvre-Moyeu Gris	Radkappe Grau	
5	22110416/0		Coprimozzo Grigio	Hub Cap Grey	Couvre-Moyeu Gris	Radkappe Grau	
6	22110495/0		Coprimozzo Grigio	Hub Cap Grey	Couvre-Moyeu Gris	Radkappe Grau	
7	22110493/0		Coprimozzo Grigio	Hub Cap Grey	Couvre-Moyeu Gris	Radkappe Grau	
8	22110491/0		Coprimozzo Grigio	Hub Cap Grey	Couvre-Moyeu Gris	Radkappe Grau	

ENCLOSURE 2



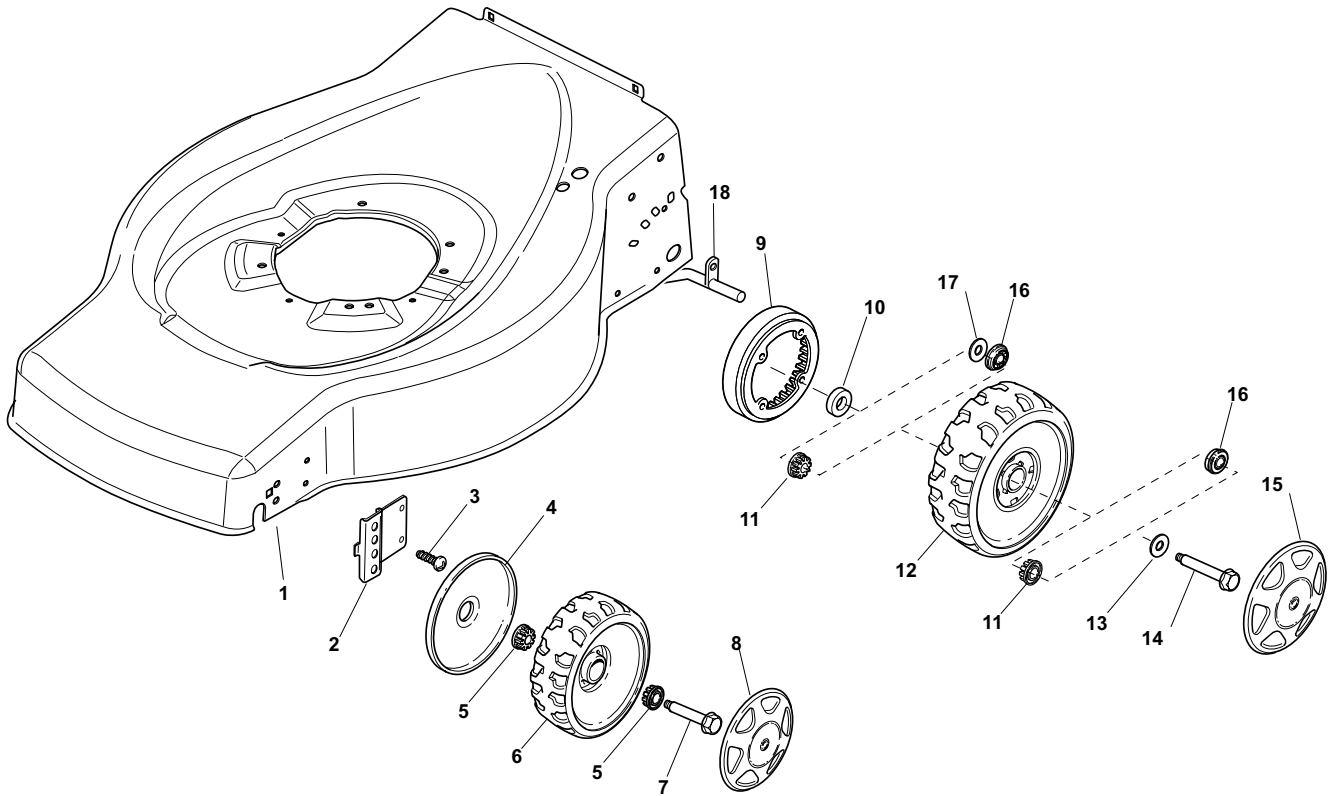
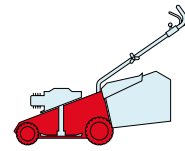
POS.	CODE	Q.TY	DESCRIZIONE	DESCRIPTION	DESCRIPTION	BESCHREIBUNG	REMARKS
1	22110251/0		Coprismozzo Bianco	Hub Cap White	Couvre-Moyeu	Radkappe Weiße	
1	22110253/0		Coprismozzo Giallo	Hub Cap Yellow	Couvre-Moyeu	Radkappe Gelbe	
1	22110256/0		Coprismozzo Rosso	Hub Cap Red	Couvre-Moyeu	Radkappe Rote	
2	22110313/0		Coprismozzo Bianco	Hub Cap White	Couvre-Moyeu	Radkappe Weiße	
2	22110314/0		Coprismozzo Grigio	Hub Cap Grey	Couvre-Moyeu Gris	Radkappe Grau	
3	22110348/0		Coprismozzo Grigio	Hub Cap Grey	Couvre-Moyeu Gris	Radkappe Grau	
4	22110382/0		Coprismozzo Grigio	Hub Cap Grey	Couvre-Moyeu Gris	Radkappe Grau	
5	22110417/0		Coprismozzo Grigio	Hub Cap Grey	Couvre-Moyeu Gris	Radkappe Grau	
6	22110496/0		Coprismozzo Grigio	Hub Cap Grey	Couvre-Moyeu Gris	Radkappe Grau	
7	22110494/0		Coprismozzo Grigio	Hub Cap Grey	Couvre-Moyeu Gris	Radkappe Grau	
8	22110492/0		Coprismozzo Grigio	Hub Cap Grey	Couvre-Moyeu Gris	Radkappe Grau	

ES	ESL
464	534
TR	TR-E



POS.	CODE	Q.TY	DESCRIZIONE	DESCRIPTION	DESCRIPTION	BESCHREIBUNG	REMARKS
1	22108271/0	1	Convogl. Anteriore	Front Conveyor Assy	Ens. Convoyeur Avant	Hinterleitblechvorder	
2	12728686/0	6	Vite	Screw	Vis	Schraube	
5	22108272/2	1	Convogl. Posteriore	Rear Conveyor Assy	Ens. Convoyeur Post.	Hinterleitblechsatz	
6	322545189/0	4	Piastrina	Plate	Plaquette	Plättchen	
7	12728686/0	2	Vite	Screw	Vis	Schraube	
12	12793701/0	2/1	Vite	Screw	Vis	Schraube	
13	12293201/0	2/1	Dado	Nut	Ecrou	Mutter	
14	12691800/0	0/1	Vite	Screw	Vis	Schraube	(B&S Quantum)
15	12521350/0	0/1	Rosetta	Washer	Rondelle	Scheibe	(B&S Quantum)
16	12155000/0	0/1	Dado	Nut	Ecrou	Mutter	(B&S Quantum)
17	12793801/0	0/1	Vite	Screw	Vis	Schraube	(B&S Quantum)
17	12775000/0	0/1	Vite	Screw	Vis	Schraube	(B&S Classic/Sprint/Ls/Lc)
17	12691115/0	0/1	Vite	Screw	Vis	Schraube	(GGP)
18	12540060/0	1	Rosetta	Washer	Rondelle	Scheibe	
19	12293200/0	1	Dado	Nut	Ecrou	Mutter	
20	22671651/0	1	Rosetta	Washer	Rondelle	Scheibe	
21	22060212/0	1	Carter Cinghia	Protection, Belt	Protection Courroie	Schutz, Riemen	464
21	322060222/0	1	Carter Cinghia	Protection, Belt	Protection Courroie	Schutz, Riemen	534
23	12155000/0	1	Dado	Nut	Ecrou	Mutter	
24	12728686/0	2	Vite	Screw	Vis	Schraube	
24A	12728530/0	2	Vite	Screw	Vis	Schraube	534
22	25670011/0	1	Rosetta	Washer	Rondelle	Scheibe	
34	22140226/0	1	Deflettore	Deflector	Deflecteur	Deflektor	464
34	322140233/0	1	Deflettore	Deflector	Deflecteur	Deflektor	534

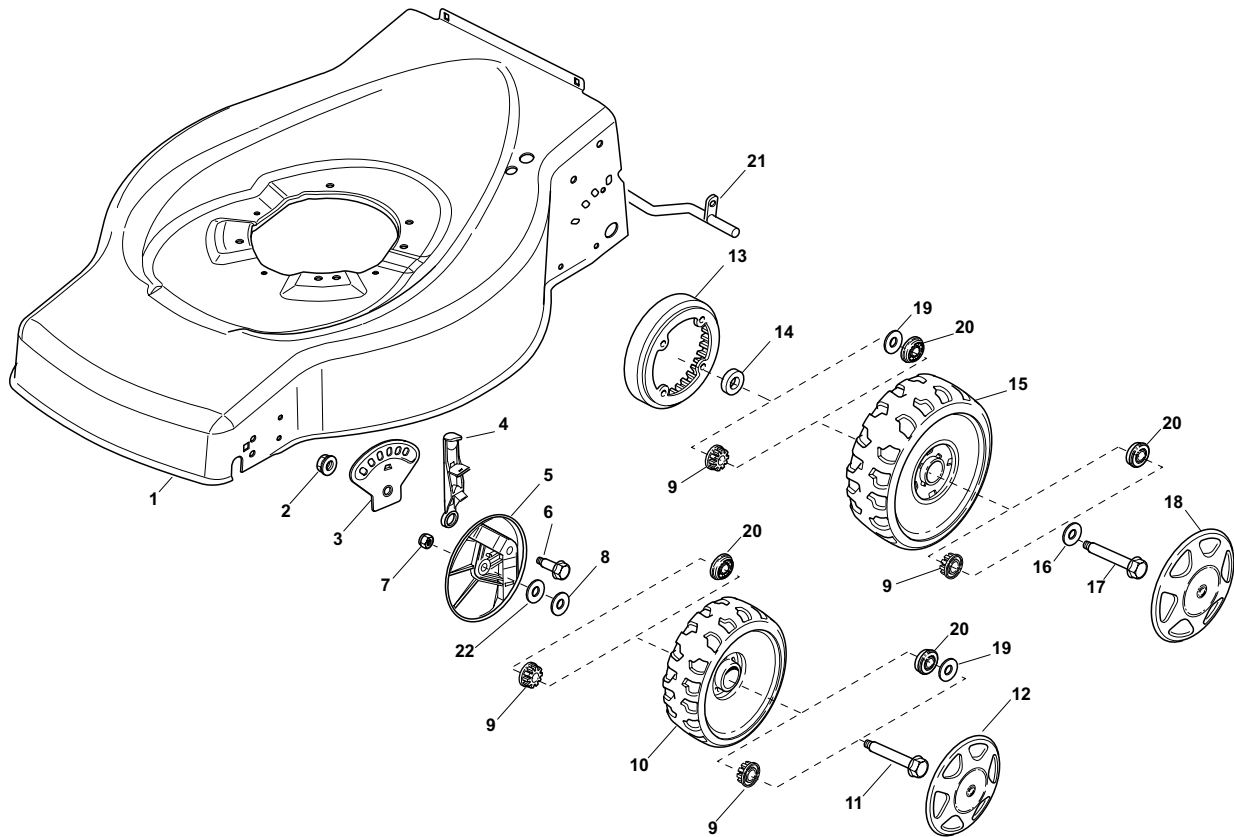
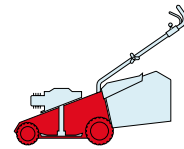
ES	ESL
464	534
TR	TR-E



POS.	CODE	Q.TY	DESCRIZIONE	DESCRIPTION	DESCRIPTION	BESCHREIBUNG	REMARKS
1	81002652/0	1	Chassis Rosso	Deck Red	Châssis Rouge	Gehäuse Rot	464
1	381003703/0	1	Chassis Rosso	Deck Red	Châssis Rouge	Gehäuse Rot	534
2	22551523/0	2	Piastra Anteriore	Plate, Front	Plaque Antérieure	Platte, Vorder	
3	12728686/0	4	Vite	Screw	Vis	Schraube	
4	22600095/0	2	Protezione	Protection	Protection	Schutz	
5	22034515/1	4	Bussola	Bush	Douille	Buchse	
6	22686091/1	2	Ruota Ø 165	Wheel Ø 165	Roue Ø 165	Rad Ø 165	
7	22524340/0	2	Perno	Pin	Pivot	Bolzen	
8	-	2	Coprimozzo	Hub Cap	Couvre-Moyeu	Radkappe	(See Enclosure 1)
9	22120109/0	2	Ruota Dentata	Sprocket	Couronne	Zahnkettenrad	
10	22170622/0	2	Distanziale	Spacer	Entretoise	Distanzring	
11	22034508/0	4	Bussola	Bush	Douille	Buchse	
12	22686093/0	2	Ruota Ø 190	Wheel Ø 190	Roue Ø190	Rad Ø 190	
13	12523050/0	2	Rosetta	Washer	Rondelle	Scheibe	
14	12735599/0	2	Vite	Screw	Vis	Schraube	
15	-	2	Coprimozzo	Hub Cap	Couvre-Moyeu	Radkappe	(See Enclosure 2)
16	22122200/0	4	Cuscinetto	Bearing	Coussinet	Lager	
17	22675100/0	2	Rosetta	Washer	Rondelle	Scheibe	
18	22033393/0	1	Asse Ruote Posteriori	Axle, Rear Wheels	Axe Roues Arriere	Achse, Hinterrad	

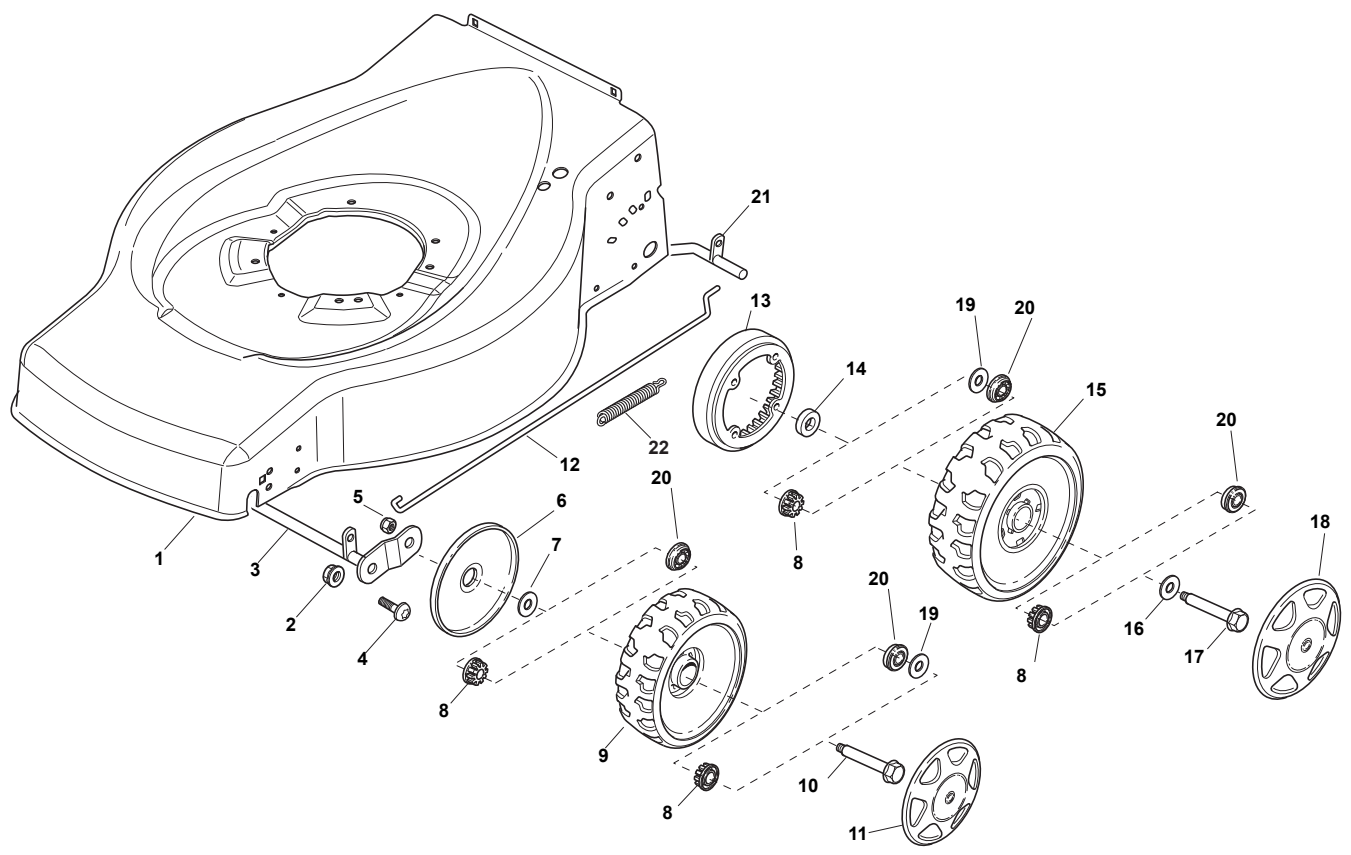
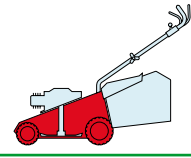
ES
464
TR

ESL
534
TR-E



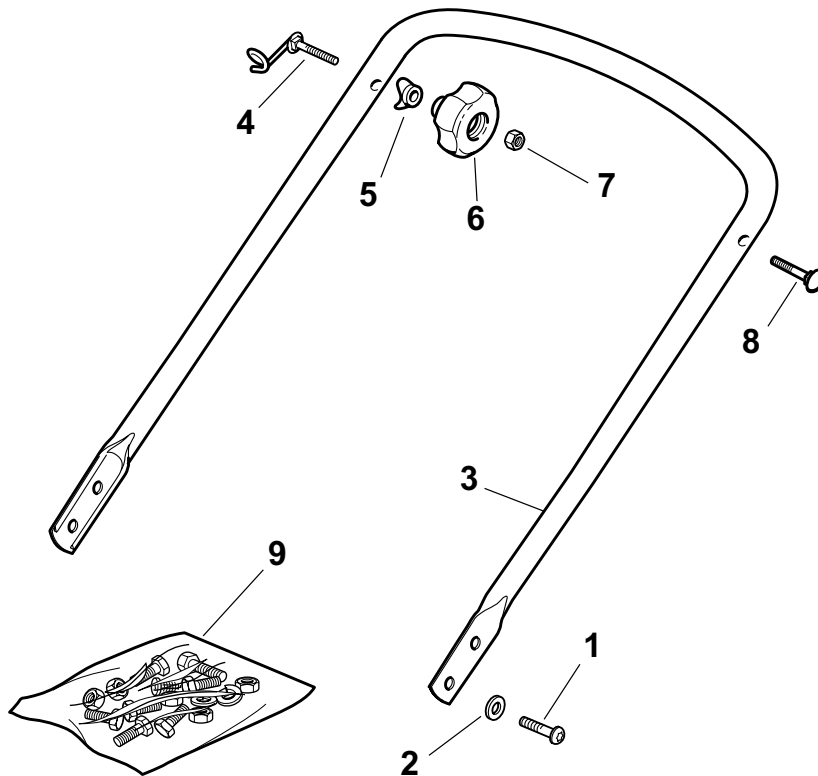
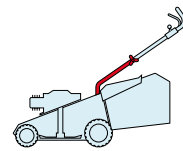
POS.	CODE	Q.TY	DESCRIZIONE	DESCRIPTION	DESCRIPTION	BESCHREIBUNG	REMARKS
1	81002538/0	1	Chassis Rosso	Deck Red	Châssis Rouge	Gehäuse Rot	464
1	381003703/0	1	Chassis Rosso	Deck Red	Châssis Rouge	Gehäuse Rot	534
2	22131750/0	2	Dado	Nut	Ecrou	Mutter	
3	22735557/0	2	Settore Di Regolazione	Sector, Height Adjustment	Secteur Reglage	Sektor, Höheverstellung	
4	81003306/0	2	Leva Regolazione Altezza	Lever, Height Adjustment	Levier Reglage Hauteur	Hebel, Höneverstellung	
5	322600170/0	2	Prot. Ruote	Protection, Wheel	Protection Roue	Schütz, Räder	
6	22524324/0	2	Perno	Pin	Pivot	Bolzen	
7	12155000/0	2	Dado	Nut	Ecrou	Mutter	
8	25670011/0	2	Rosetta	Washer	Rondelle	Scheibe	
9	22034508/0	8	Bussola	Bush	Douille	Buchse	
10	22686091/1	2	Ruota Ø 165	Wheel Ø 165	Roue Ø 165	Rad Ø 165	
11	22524341/0	2	Perno	Pin	Pivot	Bolzen	
12	-	2	Coprimozzo	Hub Cap	Couvre-Moyeu	Radkappe	(See Enclosure 1)
13	22120109/0	2	Ruota Dentata	Sprocket	Couronne	Zahnkettenrad	
14	22170622/0	2	Distanziale	Spacer	Entretoise	Distanzring	
15	22686093/0	2	Ruota Ø 190	Wheel Ø 190	Roue Ø190	Rad Ø 190	
16	12523050/0	2	Rosetta	Washer	Rondelle	Scheibe	
17	12735599/0	2	Vite	Screw	Vis	Schraube	
18	-	2	Coprimozzo	Hub Cap	Couvre-Moyeu	Radkappe	(See Enclosure 2)
19	22675100/0	4	Rosetta	Washer	Rondelle	Scheibe	
20	22122200/0	8	Cuscinetto	Bearing	Coussinet	Lager	
21	22033393/0	1	Asse Ruote Posteriori	Axle, Rear Wheels	Axe Roues Arriere	Achse, Hinterrad	
22	12530150/0	2	Rosetta	Washer	Rondelle	Scheibe	

ES	ESL
464	534
TR	TR-E



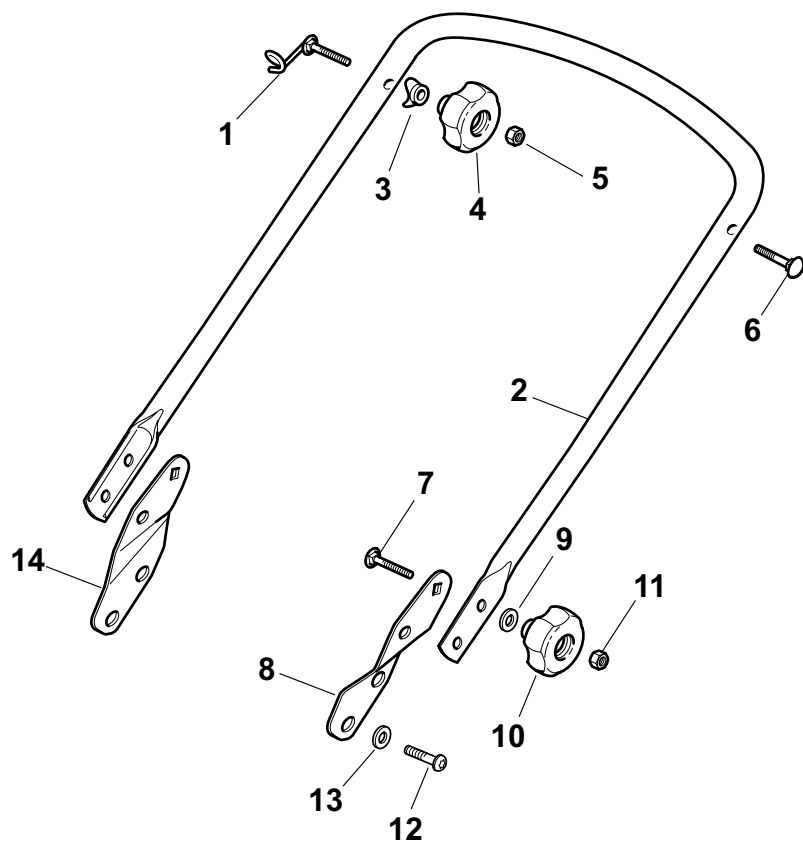
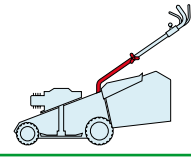
POS.	CODE	Q.TY	DESCRIZIONE	DESCRIPTION	DESCRIPTION	BESCHREIBUNG	REMARKS
1	81002538/0	1	Chassis Rosso	Deck Red	Châssis Rouge	Gehäuse Rot	464
1	381003703/0	1	Chassis Rosso	Deck Red	Châssis Rouge	Gehäuse Rot	534
2	12155000/0	2	Dado	Nut	Ecrou	Mutter	
3	81000153/0	1	Asse Ruote Anteriore	Axle, Front Wheels	Axe Roues Avant	Achse, Vorderrad	
4	12760600/0	2	Vite	Screw	Vis	Schraube	
5	22131750/0	2	Dado	Nut	Ecrou	Mutter	
6	22600095/0	2	Protezione	Protection	Protection	Schutz	
7	22671651/0	2	Rosetta	Washer	Rondelle	Scheibe	
8	22034508/0	8	Bussola	Bush	Douille	Buchse	
9	22686091/1	2	Ruota Ø 165	Wheel Ø 165	Roue Ø 165	Rad Ø 165	
10	22524341/0	2	Perno	Pin	Pivot	Bolzen	
11	-	2	Coprizzo	Hub Cap	Couvre-Moyeu	Radkappe	(See Enclosure 1)
12	22033317/0	1	Asta Regolazione	Adjustment Rod	Tige Reglage	Verstellungstange	464
12	122033319/0	1	Asta Regolazione	Adjustment Rod	Tige Reglage	Verstellungstange	534
13	22120109/0	2	Ruota Dentata	Sprocket	Couronne	Zahnkettenrad	
14	22170622/0	2	Distanziale	Spacer	Entretoise	Distanzring	
15	22686093/0	2	Ruota Ø 190	Wheel Ø 190	Roue Ø190	Rad Ø 190	
16	12523050/0	2	Rosetta	Washer	Rondelle	Scheibe	
17	12735599/0	2	Vite	Screw	Vis	Schraube	
18	-	2	Coprizzo	Hub Cap	Couvre-Moyeu	Radkappe	(See Enclosure 2)
19	22675100/0	4	Rosetta	Washer	Rondelle	Scheibe	
20	22122200/0	8	Cuscinetto	Bearing	Coussinet	Lager	
21	81000159/0	1	Asse Ruote Posteriori	Axle, Rear Wheels	Axe Roues Arriere	Achse, Hinterrad	
22	122446186/0	1	Molla	Spring	Ressort	Feder	534

ES	ESL
464	534
TR	TR-E



POS.	CODE	Q.TY	DESCRIZIONE	DESCRIPTION	DESCRIPTION	BESCHREIBUNG	REMARKS
1	12760605/0	4	Vite	Screw	Vis	Schraube	
2	12521350/0	4	Rosetta	Washer	Rondelle	Scheibe	
3	81006568/0	1	Manico, Parte Inf	Handle, Lower Part	Mancheron, Partie Inf.	Holm, Unterteil	414
3	81006570/0	1	Manico, Parte Inf	Handle, Lower Part	Mancheron, Partie Inf.	Holm, Unterteil	464
3	381006686/0	1	Manico, Parte Inf	Handle, Lower Part	Mancheron, Partie Inf.	Holm, Unterteil	534
4	81003801/1	1	Molla Guida	Guide Spring	Ressort De Guide	Feder Führer	
5	22680006/1	2	Rosetta	Washer	Rondelle	Scheibe	
6	322399804/1	2	Manopolina	Knob	Poignée	Griff	
7	12293200/0	2	Dado	Nut	Ecrou	Mutter	
8	12819201/0	1	Vite	Screw	Vis	Schraube	
9	81008648/1	1	Dotazione Viteria	Outfit, Screws	Dotation Visserie	Satz, Schrauben	

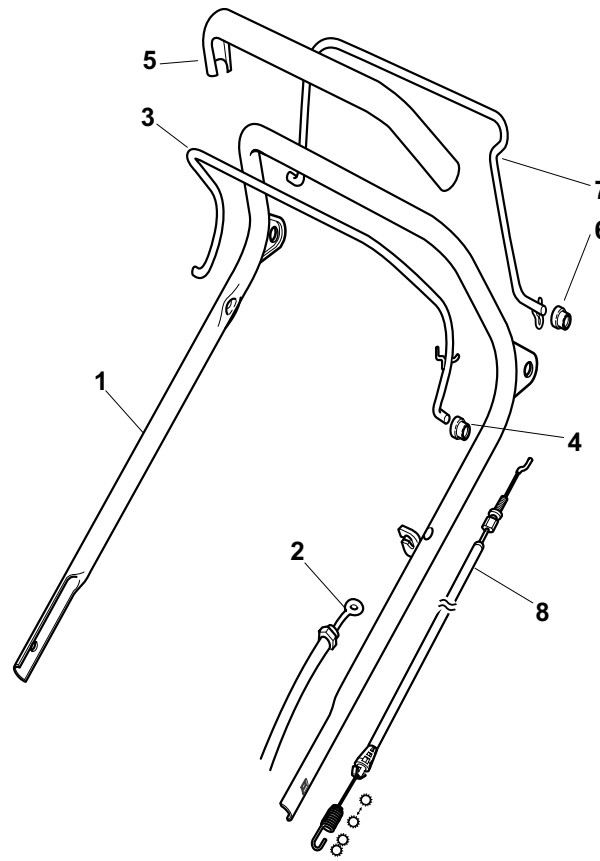
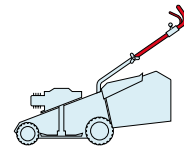
ES	ESL
464	534
TR	TR-E



POS.	CODE	Q.TY	DESCRIZIONE	DESCRIPTION	DESCRIPTION	BESCHREIBUNG	REMARKS
1	81003801/1	1	Molla Guida	Guide Spring	Ressort De Guide	Feder Führer	
2	81006576/0	1	Manico, Parte Inf	Handle, Lower Part	Mancheron, Partie Inf.	Holm, Unterteil	464
2	381006687/0	1	Manico, Parte Inf	Handle, Lower Part	Mancheron, Partie Inf.	Holm, Unterteil	534
3	22680006/1	2	Rosetta	Washer	Rondelle	Scheibe	
4	322399804/1	2	Manopolina	Knob	Poignée	Griff	
5	12293200/0	2	Dado	Nut	Ecrou	Mutter	
6	12819201/0	1	Vite	Screw	Vis	Schraube	
7	12818900/0	2	Vite	Screw	Vis	Schraube	
8	22778425/0	1	Staffa Sx	Bracket, L	Bride G	Pratze, Linke	
9	22671653/0	2	Rosetta	Washer	Rondelle	Scheibe	
10	322399804/1	2	Manopolina	Knob	Poignée	Griff	
11	12293200/0	2	Dado	Nut	Ecrou	Mutter	
12	12760605/0	4	Vite	Screw	Vis	Schraube	
13	12521350/0	4	Rosetta	Washer	Rondelle	Scheibe	
14	22778423/0	1	Staffa Dx	Bracket, R	Bride D	Pratze, Rechte	

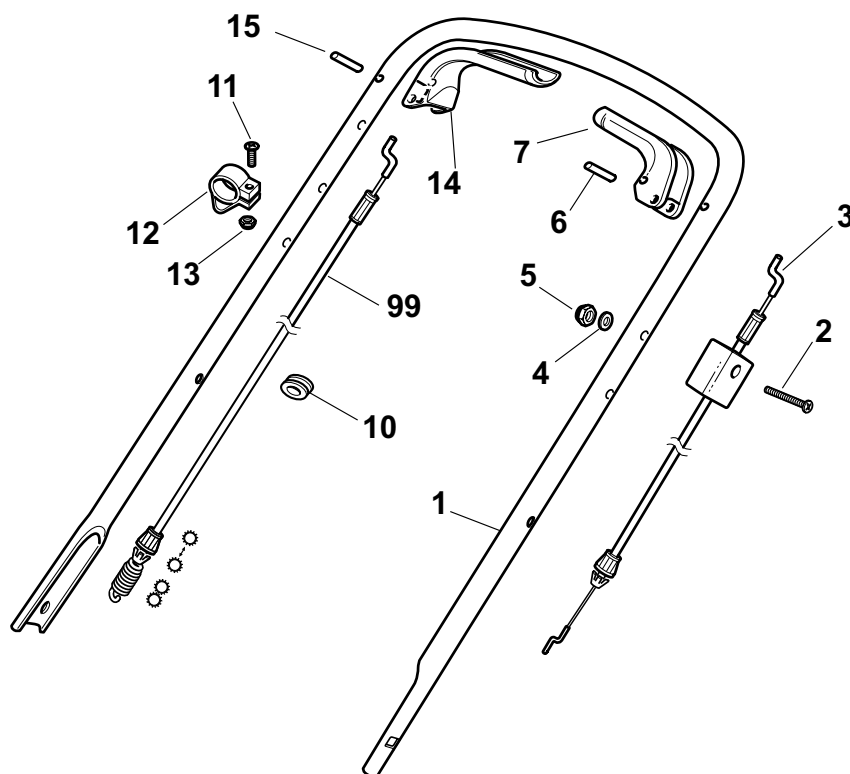
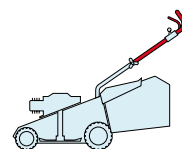
ES
464
TR

ESL
534
TR-E



POS.	CODE	Q.TY	DESCRIZIONE	DESCRIPTION	DESCRIPTION	BESCHREIBUNG	REMARKS
1	81007024/0	1	Manico, Parte Sup	Handle, Upper Part	Mancheron, Partie Supérieure	Holm, Oberteil	
2	81000616/1	1	Cavo Freno Motore	Cable, Thread Engine Brake	Cable Frein Moteur	Kabel, Motorbremse	464 (B&S 625-675 Series)
2	81000616/1	1	Cavo Freno Motore	Cable, Thread Engine Brake	Cable Frein Moteur	Kabel, Motorbremse	464 (Ggp 140cc)
2	81000622/2	1	Cavo Freno Motore	Cable, Thread Engine Brake	Cable Frein Moteur	Kabel, Motorbremse	464 (Ggp 150cc)
2	81000616/1	1	Cavo Freno Motore	Cable, Thread Engine Brake	Cable Frein Moteur	Kabel, Motorbremse	464 (Ggp 160cc)
2	81000616/1	1	Cavo Freno Motore	Cable, Thread Engine Brake	Cable Frein Moteur	Kabel, Motorbremse	464 (Honda Gcv 135-160)
2	181000761/0	1	Cavo Freno Motore	Cable, Thread Engine Brake	Cable Frein Moteur	Kabel, Motorbremse	534 (B&S 450-500 Series)
2	81000760/0	1	Cavo Freno Motore	Cable, Thread Engine Brake	Cable Frein Moteur	Kabel, Motorbremse	534 (B&S 625-675 Series)
2	81000760/0	1	Cavo Freno Motore	Cable, Thread Engine Brake	Cable Frein Moteur	Kabel, Motorbremse	534 (Ggp 140cc)
2	81000622/2	1	Cavo Freno Motore	Cable, Thread Engine Brake	Cable Frein Moteur	Kabel, Motorbremse	534 (Ggp 150cc)
2	81000760/0	1	Cavo Freno Motore	Cable, Thread Engine Brake	Cable Frein Moteur	Kabel, Motorbremse	534 (Ggp 160cc)
2	81000760/0	1	Cavo Freno Motore	Cable, Thread Engine Brake	Cable Frein Moteur	Kabel, Motorbremse	534 (Ggp 196cc)
2	181000761/0	1	Cavo Freno Motore	Cable, Thread Engine Brake	Cable Frein Moteur	Kabel, Motorbremse	534 (Honda Gcv 135-160-190)
3	81003291/3	1	Leva Freno Motore	Lever, Engine Brake	Levier Frein Moteur	Hebel, Motorbremse	
4	22041966/0	2	Bussola	Bush	Douille	Buchse	
5	22291050/0	1	Impugnatura Manico Nera	Handgrip Black	Poignée Noire	Handgriff Schwarz	
6	22041965/1	2	Bussola	Bush	Douille	Buchse	
7	81003288/1	1	Leva Trazione	Lever, Driving	Levier Traction	Hebel, Antrieb	
8	381000778/0	1	Cavo Comando Trazione	Cable, Rear Drive	Câble, Comma. Traction	Kabel, Antrieb	

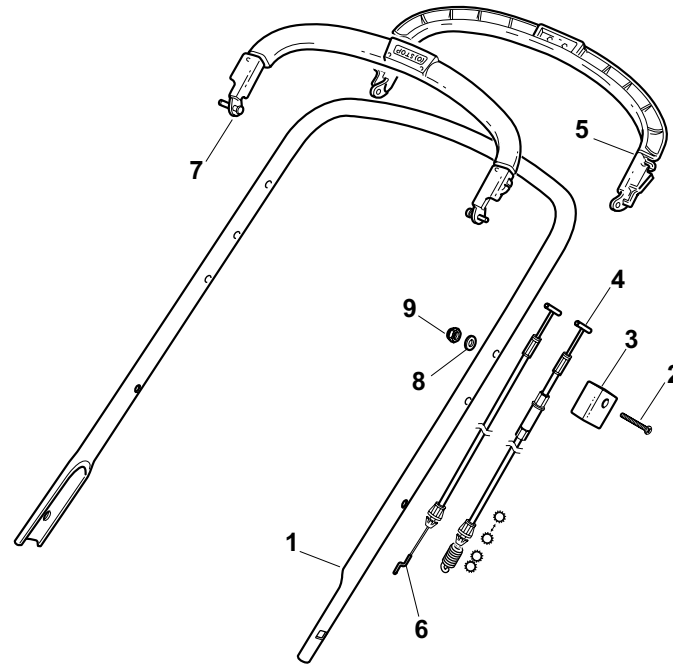
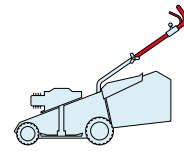
ES	ESL
464	534
TR	TR-E



POS.	CODE	Q.TY	DESCRIZIONE	DESCRIPTION	DESCRIPTION	BESCHREIBUNG	REMARKS
1	81006577/0	1	Manico, Parte Sup	Handle, Upper Part	Mancheron, Partie Sup.	Holm, Oberteil	
2	12674700/0	1	Vite	Screw	Vis	Schraube	
3	81000655/0	1	Cavo Freno Motore	Cable, Thread Eng. Brake	Cable Frein Moteur	Kabel, Motorbremse	464 (B&S 450-500 Series)
3	181000617/0	1	Cavo Freno Motore	Cable, Thread Eng. Brake	Cable Frein Moteur	Kabel, Motorbremse	464 (B&S 625-675 Series)
3	81000612/0	1	Cavo Freno Motore	Cable, Thread Eng. Brake	Cable Frein Moteur	Kabel, Motorbremse	464 (Ggp 150cc)
3	81000655/0	1	Cavo Freno Motore	Cable, Thread Eng. Brake	Cable Frein Moteur	Kabel, Motorbremse	464 (Honda Gcv 135-160-190)
3	181030003/0	1	Cavo Freno Motore	Cable, Thread Eng. Brake	Cable Frein Moteur	Kabel, Motorbremse	534 (B&S 450-500 Series)
3	181030004/0	1	Cavo Freno Motore	Cable, Thread Eng. Brake	Cable Frein Moteur	Kabel, Motorbremse	534 (B&S 675 Series)
3	181030005/0	1	Cavo Freno Motore	Cable, Thread Eng. Brake	Cable Frein Moteur	Kabel, Motorbremse	534 (Ggp 150cc)
3	181030004/0	1	Cavo Freno Motore	Cable, Thread Eng. Brake	Cable Frein Moteur	Kabel, Motorbremse	534 (Ggp 160cc)
3	181030004/0	1	Cavo Freno Motore	Cable, Thread Eng. Brake	Cable Frein Moteur	Kabel, Motorbremse	534 (Honda Gcv 135-160-190)
4	12521330/0	1	Rosetta	Washer	Rondelle	Scheibe	
5	12292100/0	1	Dado	Nut	Ecrou	Mutter	
6	12645710/0	1	Spina	Pin	Goupille	Stift	
7	322321700/1	1	Leva Freno Motore	Lever, Eng. Brake	Levier Frein Moteur	Hebel, Motorbremse	
9	81000654/0	1	Cavo Comando Trazione	Cable, Rear Drive	Câble, Comm. Traction	Kabel, Antrieb	
10	18564520/1	1	Passacavo	Fair Lead	Passe Cable	Kabeldurchgang	
11	12769616/0	1	Vite	Screw	Vis	Schraube	
12	22806521/0	1	Fascetta	Clamp	Collier	Bowdenzughalter	
13	12292100/0	1	Dado	Nut	Ecrou	Mutter	
14	22321701/0	1	Leva Trazione	Driving Lever	Levier Traction	Antriebhebel	
15	12645710/0	1	Spina	Pin	Goupille	Stift	

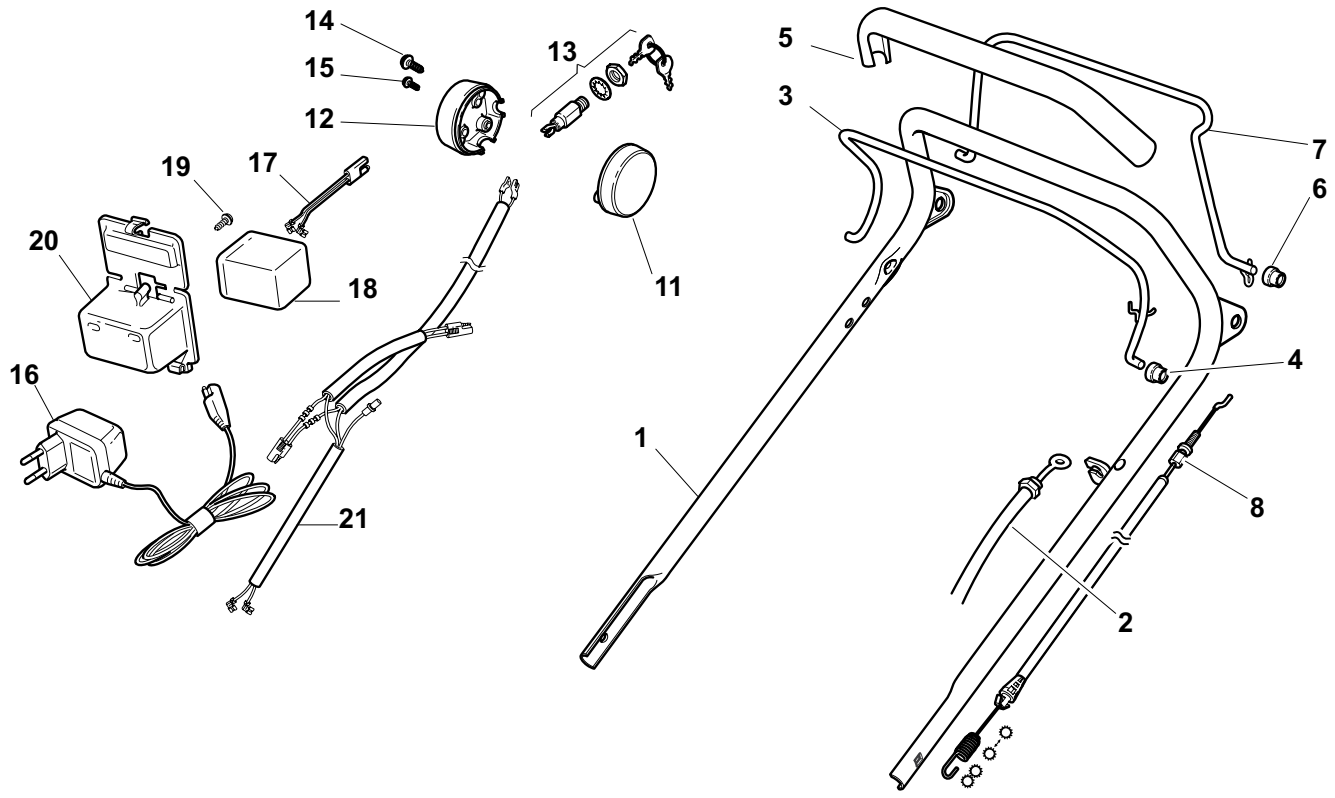
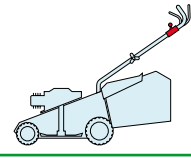
ES
464
TR

ESL
534
TR-E



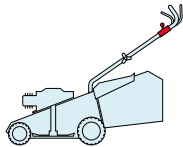
POS.	CODE	Q.TY	DESCRIZIONE	DESCRIPTION	DESCRIPTION	BESCHREIBUNG	REMARKS
1	381006579/1	1	Manico, Parte Sup	Handle, Upper Part	Mancheron, Partie Sup.	Holm, Oberteil	
2	12689500/0	1	Vite	Screw	Vis	Schraube	
3	22551640/0	1	Piastrina	Plate	Plaquette	Plättchen	
4	81000659/0	1	Cavo Comando Trazione	Cable, Rear Drive	Câble, Comm. Traction	Kabel, Antrieb	
5	81003297/1	1	Leva Trazione	Driving Lever	Levier Traction	Antriebhebel	
6	81000657/0	1	Cavo Freno Motore	Cable, Thread Eng. Brake	Cable Frein Moteur	Kabel, Motorbremse	464 (B&S 450-500 Series)
6	81000720/1	1	Cavo Freno Motore	Cable, Thread Eng. Brake	Cable Frein Moteur	Kabel, Motorbremse	464 (B&S 625-675 Series)
6	181030002/0	1	Cavo Freno Motore	Cable, Thread Eng. Brake	Cable Frein Moteur	Kabel, Motorbremse	464 (Ggp 140cc)
6	81000743/0	1	Cavo Freno Motore	Cable, Thread Eng. Brake	Cable Frein Moteur	Kabel, Motorbremse	464 (Ggp 150cc)
6	181030002/0	1	Cavo Freno Motore	Cable, Thread Eng. Brake	Cable Frein Moteur	Kabel, Motorbremse	464 (Ggp 160cc)
6	81000657/0	1	Cavo Freno Motore	Cable, Thread Eng. Brake	Cable Frein Moteur	Kabel, Motorbremse	464 (Honda Gcv 135-160-190)
6	181030001/0	1	Cavo Freno Motore	Cable, Thread Eng. Brake	Cable Frein Moteur	Kabel, Motorbremse	534 (B&S 450-500 Series)
6	181030001/0	1	Cavo Freno Motore	Cable, Thread Eng. Brake	Cable Frein Moteur	Kabel, Motorbremse	534 (B&S 625-675 Series)
6	181030001/0	1	Cavo Freno Motore	Cable, Thread Eng. Brake	Cable Frein Moteur	Kabel, Motorbremse	534 (Ggp 140cc)
6	181030000/0	1	Cavo Freno Motore	Cable, Thread Eng. Brake	Cable Frein Moteur	Kabel, Motorbremse	534 (Ggp 150cc)
6	181030001/0	1	Cavo Freno Motore	Cable, Thread Eng. Brake	Cable Frein Moteur	Kabel, Motorbremse	534 (Ggp 160cc)
6	181030001/0	1	Cavo Freno Motore	Cable, Thread Eng. Brake	Cable Frein Moteur	Kabel, Motorbremse	534 (Ggp 196cc)
6	181030001/0	1	Cavo Freno Motore	Cable, Thread Eng. Brake	Cable Frein Moteur	Kabel, Motorbremse	534 (Honda Gcv 135-160-190)
7	81003298/1	1	Leva Freno Motore	Lever, Engine Brake	Levier Frein Moteur	Hebel, Motorbremse	
8	12521330/0	1	Rosetta	Washer	Rondelle	Scheibe	
9	12292100/0	1	Dado	Nut	Ecrou	Mutter	

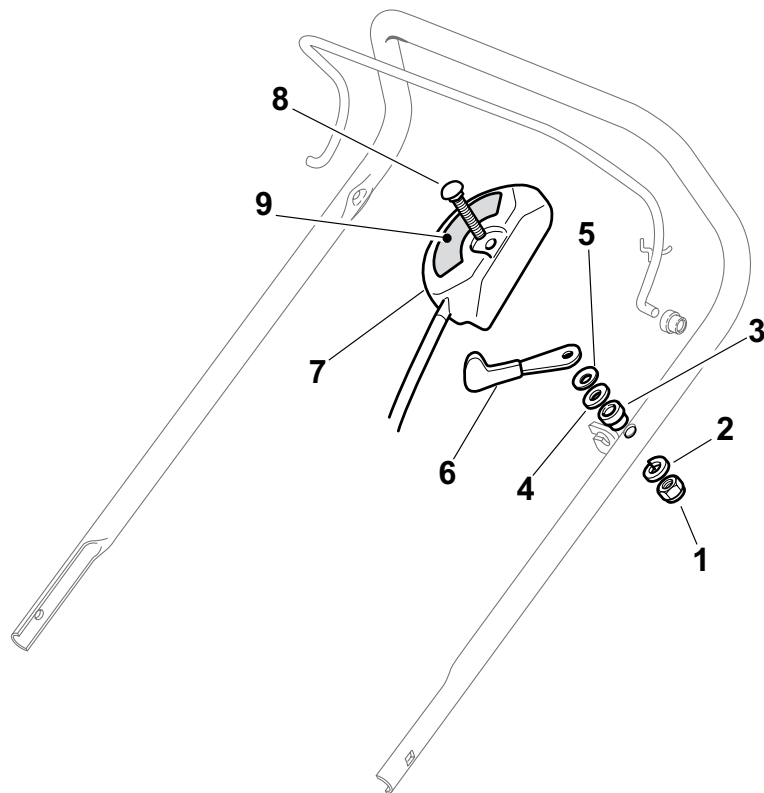
ES	ESL
464	534
TR	TR-E



POS.	CODE	Q.TY	DESCRIZIONE	DESCRIPTION	DESCRIPTION	BESCHREIBUNG	REMARKS
1	81006863/0	1	Manico, Parte Sup	Handle, Upper Part	Mancheron, Partie Sup.	Holm, Oberteil	
2	81000616/1	1	Cavo Freno Motore	Cable, Thread Engine Brake	Cable Frein Moteur	Kabel, Motorbremse	464 (B&S 625-675 Series)
2	81000616/1	1	Cavo Freno Motore	Cable, Thread Engine Brake	Cable Frein Moteur	Kabel, Motorbremse	464 (Ggp 140cc)
2	81000622/2	1	Cavo Freno Motore	Cable, Thread Engine Brake	Cable Frein Moteur	Kabel, Motorbremse	464 (Ggp 150cc)
2	81000616/1	1	Cavo Freno Motore	Cable, Thread Engine Brake	Cable Frein Moteur	Kabel, Motorbremse	464 (Ggp 160cc)
2	81000616/1	1	Cavo Freno Motore	Cable, Thread Engine Brake	Cable Frein Moteur	Kabel, Motorbremse	464 (Honda Gcv 135-160)
2	181000761/0	1	Cavo Freno Motore	Cable, Thread Engine Brake	Cable Frein Moteur	Kabel, Motorbremse	534 (B&S 450-500 Series)
2	81000760/0	1	Cavo Freno Motore	Cable, Thread Engine Brake	Cable Frein Moteur	Kabel, Motorbremse	534 (B&S 625-675 Series)
2	81000760/0	1	Cavo Freno Motore	Cable, Thread Engine Brake	Cable Frein Moteur	Kabel, Motorbremse	534 (Ggp 140cc)
2	81000622/2	1	Cavo Freno Motore	Cable, Thread Engine Brake	Cable Frein Moteur	Kabel, Motorbremse	534 (Ggp 150cc)
2	81000760/0	1	Cavo Freno Motore	Cable, Thread Engine Brake	Cable Frein Moteur	Kabel, Motorbremse	534 (Ggp 160cc)
2	81000760/0	1	Cavo Freno Motore	Cable, Thread Engine Brake	Cable Frein Moteur	Kabel, Motorbremse	534 (Ggp 196cc)
2	181000761/0	1	Cavo Freno Motore	Cable, Thread Engine Brake	Cable Frein Moteur	Kabel, Motorbremse	534 (Honda Gcv 135-160-190)
3	81003291/3	1	Leva Freno Motore	Lever, Engine Brake	Levier Frein Moteur	Hebel, Motorbremse	
4	22041966/0	2	Bussola	Bush	Douille	Buchse	
5	22291050/0	1	Impugnatura Manico Nera	Handgrip Black	Poignée Noire	Handgriff Schwarz	
6	22041965/1	2	Bussola	Bush	Douille	Buchse	
7	81003288/1	1	Leva Trazione	Lever, Driving	Levier Traction	Hebel, Antrieb	
8	381000778/0	1	Cavo Comando Trazione	Cable, Rear Drive	Câble, Comma. Traction	Kabel, Antrieb	
11	22722801/0	1	Protezione Sx	L Protection	Protection G	Linke Schutz	
12	22722800/0	1	Protezione Dx	R Protection	Protection D	Rechte Schutz	

POS.	CODE	Q.TY	DESCRIZIONE	DESCRIPTION	DESCRIPTION	BESCHREIBUNG	REMARKS
13	18450050/0	1	Interruttore	Switch	Interrupteur	Schalter	
14	12728300/0	2	Vite	Screw	Vis	Schraube	
15	12728691/0	1	Vite	Screw	Vis	Schraube	
16	18204120/0	1	Carica Batteria	Battery Charger	Chargeur De Batterie	Ladgerät	
16	18204121/0	1	Carica Batteria	Battery Charger	Chargeur De	Ladgerät	(Uk)
17	122063002/2	1	Cavo Avviamento	Cable, Start	Cable Démarrage	Kabel, Start	
18	18120053/0	1	Batteria	Battery	Batterie	Batterie	
19	12728691/0	1	Vite	Screw	Vis	Schraube	
20	22109533/0	1	Contenitore Batteria	Battery Box	Conteneur De Batterie	Batterie Behälter	
21	18204196/0	1	Cavo Avviamento	Cable, Start	Cable Démarrage	Kabel, Start	

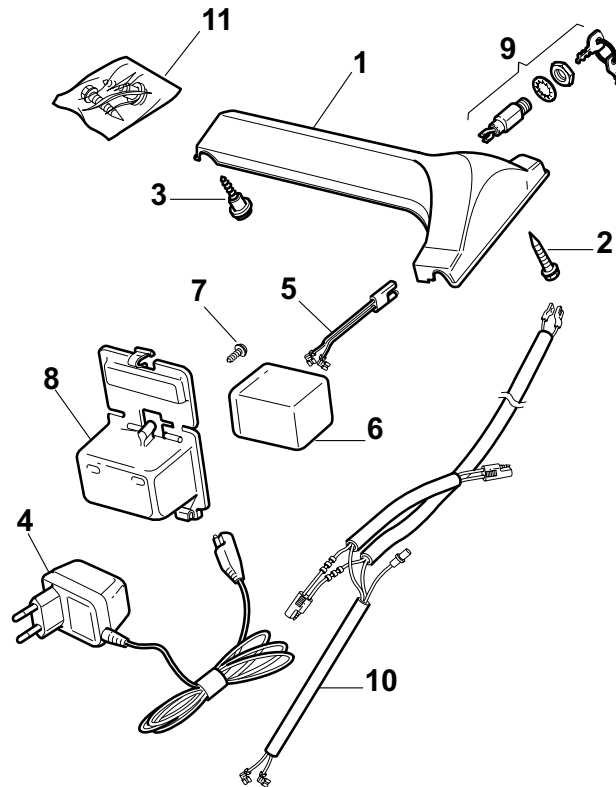
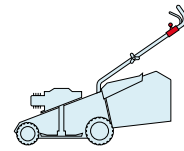
ES	ESL	
464	534	
TR	TR-E	



POS.	CODE	Q.TY	DESCRIZIONE	DESCRIPTION	DESCRIPTION	BESCHREIBUNG	REMARKS
1	12291000/0	1	Dado	Nut	Ecrou	Mutter	
2	12581500/0	1	Grower	Grower	Grower	Federring	
3	22171005/0	1	Distanziale	Spacer	Entretoise	Distanzring	
4	12521360/0	1	Rosetta	Washer	Rondelle	Scheibe	
5	12508100/0	1	Rosetta Elastica	Spring Washer	Rondelle Elastique	Elastische Scheibe	
6	81007279/1	1	Leva, Acceleratore	Lever, Throttle	Levier, Accelérateur	Hebel, Beshleuniger	(B&S 625-675-700 Series - Honda - Ggp 140-160-196 cc)
6	81007220/0	1	Leva, Acceleratore	Lever, Throttle	Levier, Accelérateur	Hebel, Beshleuniger	(B&S 450-500 Series - Ggp 150 cc)
7	81007080/0	1	Cavo Acceleratore	Throttle Cable	Cable, Accelérateur	Gashebel Kabel	
8	12815000/0	1	Vite	Screw	Vis	Schraube	
9	14356703/0	1	Etichetta	Label	Etiquette	Etikette	(B&S)
9	114356905/0	1	Etichetta	Label	Etiquette	Etikette	(B&S 700 series DOV)
9	14356702/0	1	Etichetta	Label	Etiquette	Etikette	(GGP)
9	114364264/0	1	Etichetta	Label	Etiquette	Etikette	AVS (GGP 160-196)
9	14356702/0	1	Etichetta	Label	Etiquette	Etikette	(Honda)
9	114356905/0	1	Etichetta	Label	Etiquette	Etikette	(Honda GCV 160-190 Autochoke)

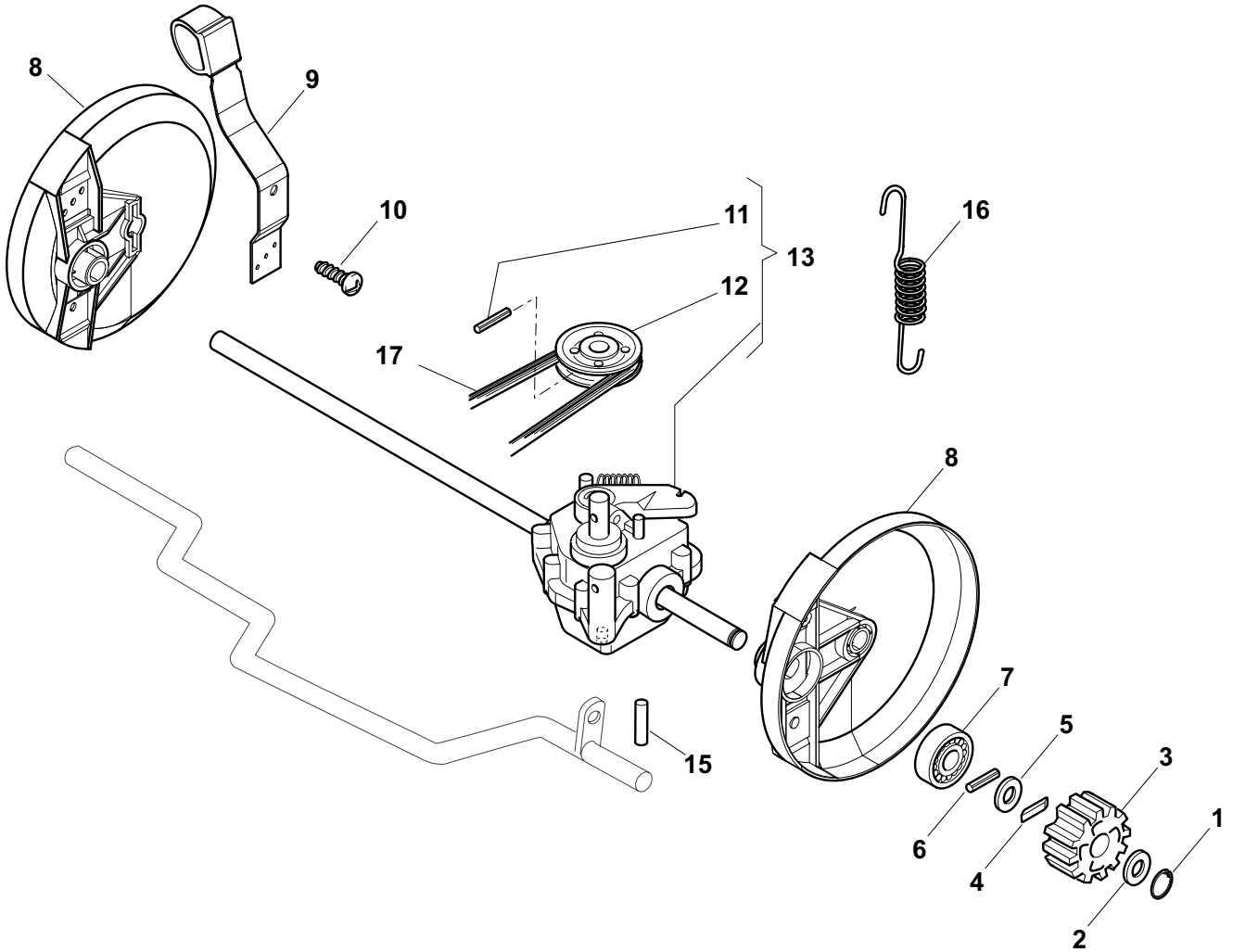
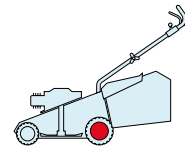
ES
464
TR

ESL
534
TR-E



POS.	CODE	Q.TY	DESCRIZIONE	DESCRIPTION	DESCRIPTION	BESCHREIBUNG	REMARKS
1	22120148/0	1	Cruscotto Giallo	Dash Board Yellow	Console Jaune	Konsole Gelbe	
1	22120164/0	1	Cruscotto Nero	Dash Board Black	Console Noire	Konsole Schwarze	
1	22120150/0	1	Cruscotto Rosso	Dash Board Red	Console Rouge	Konsole Rote	
2	12728460/0	1	Vite	Screw	Vis	Schraube	
3	22943006/0	1	Vite	Screw	Vis	Schraube	
4	18204120/0	1	Carica Batteria	Battery Charger	Chargeur De Batterie	Ladgerät	
4	18204121/0	1	Carica Batteria	Battery Charger	Chargeur De	Ladgerät	(Uk)
5	122063002/2	1	Cavo Avviamento	Cable, Start	Cable Démarrage	Kabel, Start	
6	18120053/0	1	Batteria	Battery	Batterie	Batterie	
7	12728691/0	1	Vite	Screw	Vis	Schraube	
8	22109533/0	1	Contenitore Batteria	Battery Box	Conteneur De Batterie	Batterie Behälter	
9	18450050/0	1	Interruttore	Switch	Interrupteur	Schalter	
10	118204192/3	1	Cavo Avviamento	Cable, Start	Cable Démarrage	Kabel, Start	
11	81008609/0	1	Dotazione Viteria Cr.	Outfit, Dash-Board Screws	Dotation Visserie Console	Satz, Konsole Schrauben	

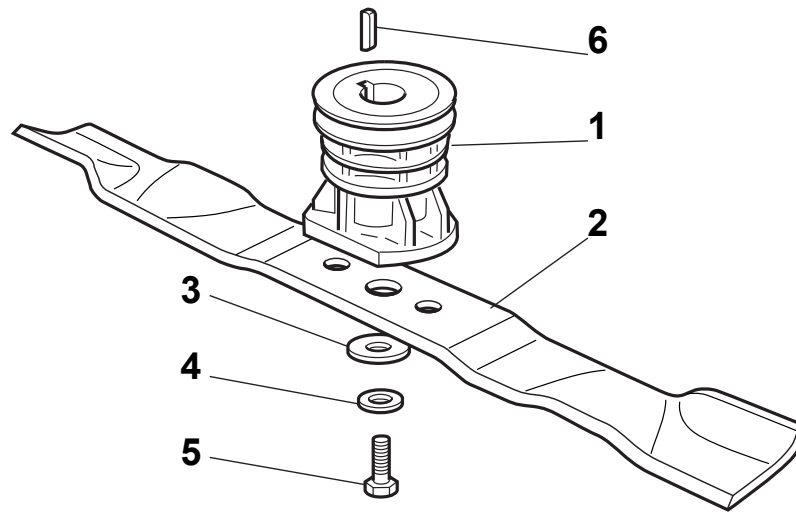
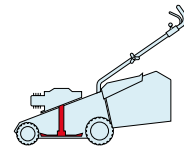
ES	ESL
464	534
TR	TR-E



POS.	CODE	Q.TY	DESCRIZIONE	DESCRIPTION	DESCRIPTION	BESCHREIBUNG	REMARKS
1	12608520/0	2	Seeger	Seeger	Seeger	Seeger	
2	22160520/0	2	Disco Parapolvere	Dust Cover	Protege-Poussiere	Staubschuttscheibe	
3	22570125/0	2	Pignone	Pinion	Pignon	Ritzel	
4	22076645/0	2	Chiave	Key	Clef	Schlüssel	
5	22160520/0	2	Disco Parapolvere	Dust Cover	Protege-Poussiere	Staubschuttscheibe	
6	12622620/0	2	Spina	Pin	Goupille	Stift	
7	22122202/0	2	Cuscinetto	Bearing	Coussinet	Lager	
8	22600106/1	2	Prot. Ruote	Protection, Wheel	Protection Roue	Schütz, Räder	
9	81003303/0	1	Leva Regolazione Altezza	Lever, Height Adjustment	Levier Reglage Hauteur	Hebel, Höheverstellung	
10	12728689/0	2	Vite	Screw	Vis	Schraube	
11	12713801/0	1	Grano	Dowel	Grain	Stift	
12	22601909/0	1	Puleggia	Pulley	Poulie	Riemenscheibe	
13	181003093/1	1	Gruppo Trazione	Gear Box	Groupe Traction	Antrieb	
15	22753001/0	2	Spina	Pin	Goupille	Stift	
16	22450438/0	1	Molla	Spring	Ressort	Feder	
17	35063750/0	1	Cinghia	Belt	Courroire	Riemen	464
17	35064100/0	1	Cinghia	Belt	Courroire	Riemen	534

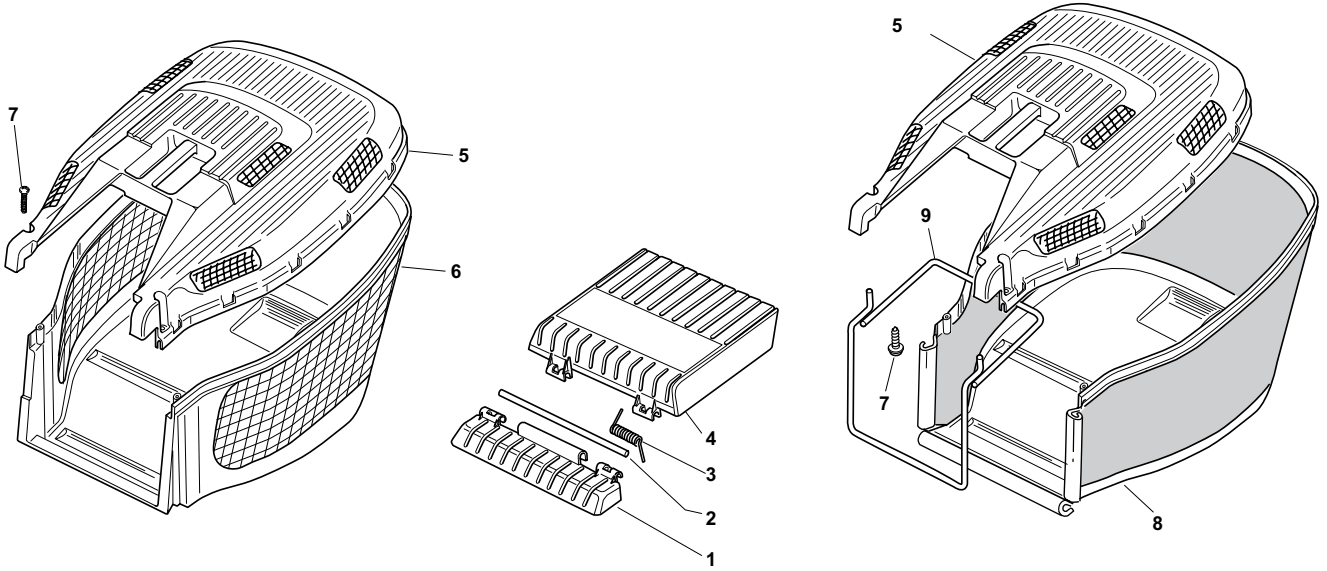
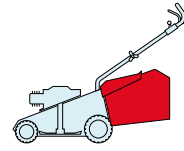
ES
464
TR

ESL
534
TR-E



POS.	CODE	Q.TY	DESCRIZIONE	DESCRIPTION	DESCRIPTION	BESCHREIBUNG	REMARKS
1	122465607/3	1	Mozzo Con Puleggia, Albero Motore Ø 22.2	Hub With Pulley, Crankshaft Ø 22.2	Moyeu Avec Poulie, Arbre Moteur Ø 22.2	Nabe Mit Scheibe, Motorwelle Ø 22.2	
1	122465608/2	1	Mozzo Con Puleggia, Albero Motore Ø 25	Hub With Pulley, Crankshaft Ø 25	Moyeu Avec Poulie, Arbre Moteur Ø 25	Nabe Mit Scheibe, Motorwelle Ø 25	
2	81004365/3	1	Coltello Standard	Blade Standard	Lame Standard	Messer Standard	464
2	81004381/1	1	Coltello Standard	Blade Standard	Lame Standard	Messer Standard	534
3	22160400/0	1	Disco Elastico	Elastic Washer	Rondelle Elastique	Elastischescheibe	
4	12523080/0	1	Rosetta	Washer	Rondelle	Scheibe	
5	12735698/0	1	Vite	Screw	Vis	Schraube	
6	12139100/0	1	Linguetta, Albero Motore Ø 22.2	Feather, Crankshaft Ø 22.2	Clavette, Arbre Moteur Ø 22.2	Keil, Motorwelle Ø 22.2	
6	12139150/0	1	Linguetta, Albero Motore Ø 25	Feather, Crankshaft Ø 25	Clavette, Arbre Moteur Ø 25	Keil, Motorwelle Ø 25	

ES	ESL
464	534
TR	TR-E



POS.	CODE	Q.TY	DESCRIZIONE	DESCRIPTION	DESCRIPTION	BESCHREIBUNG	REMARKS
1	22785136/1	1	Supporto	Support	Support	Halter	
2	22517858/0	1	Perno	Pin	Pivot	Bolzen	
3	22450431/0	1	Molla	Spring	Ressort	Feder	
4	322600099/1	1	Parasassi	Stone-Guard	Pare-Pierres	Prallblech	
5	22486122/0	1	Parte Sup.Sacco	Grassbox Upper Part	Sac, Partie Superieure	Korb Oberteil	
6	22486128/0	1	Parte Infer. Sacco	Grassbox Lower Part	Sac, Partie Inferieure	Korb Unterteil	
7	12728686/0	2	Vite	Screw	Vis	Schraube	
8	81002229/0	1	Sacco, Tela	Box, Fabric	Sac, Toile	Sack, Tuck	
9	81006419/0	1	Telaio Sacco	Chassis Box	Châssis Bac	Rahmen Sack	