

Genuine Spare Parts

Catalogo delle parti di ricambio
Spare parts catalogue
Catalogue des pieces de rechange
Ersatzteilkatalog

2010

- Use GLOBAL GARDEN PRODUCT Genuine Spare Parts specified in the parts list for repair and/or replacement.
- The contents described in the parts list may change due to improvement.
- The drawings of the spare parts are only indicative and might not represent the part in question exactly.
- The indications "right" - "left" - "front" - "rear" refer to the position of the operator when using the machine.
- When placing orders of parts for repair and/or replacement, make sure that the illustrated parts list is the one applying to the machine's year of manufacture, as shown on the identification plate attached to the machine.

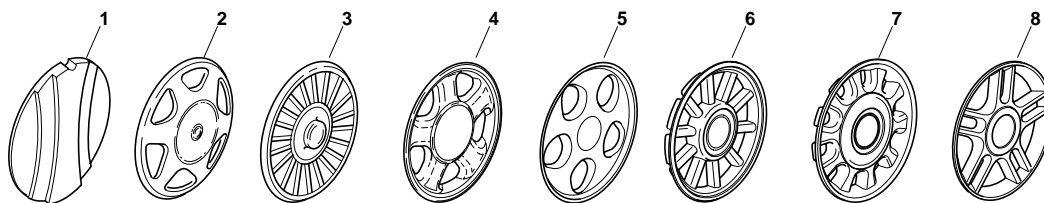
COPYRIGHT by GLOBAL GARDEN PRODUCTS

All rights reserved. No part of this material may be reproduced or transmitted, in any form or by any means, electronic or mechanical, including photocopying, recording or by any information storage and retrieval system, without permission in writing from GLOBAL GARDEN PRODUCTS.



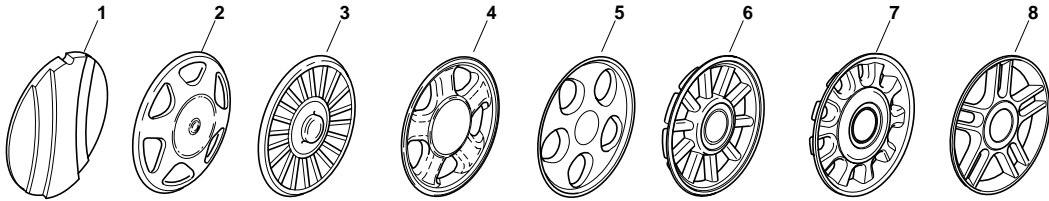
GLOBAL GARDEN PRODUCTS

ENCLOSURE 1



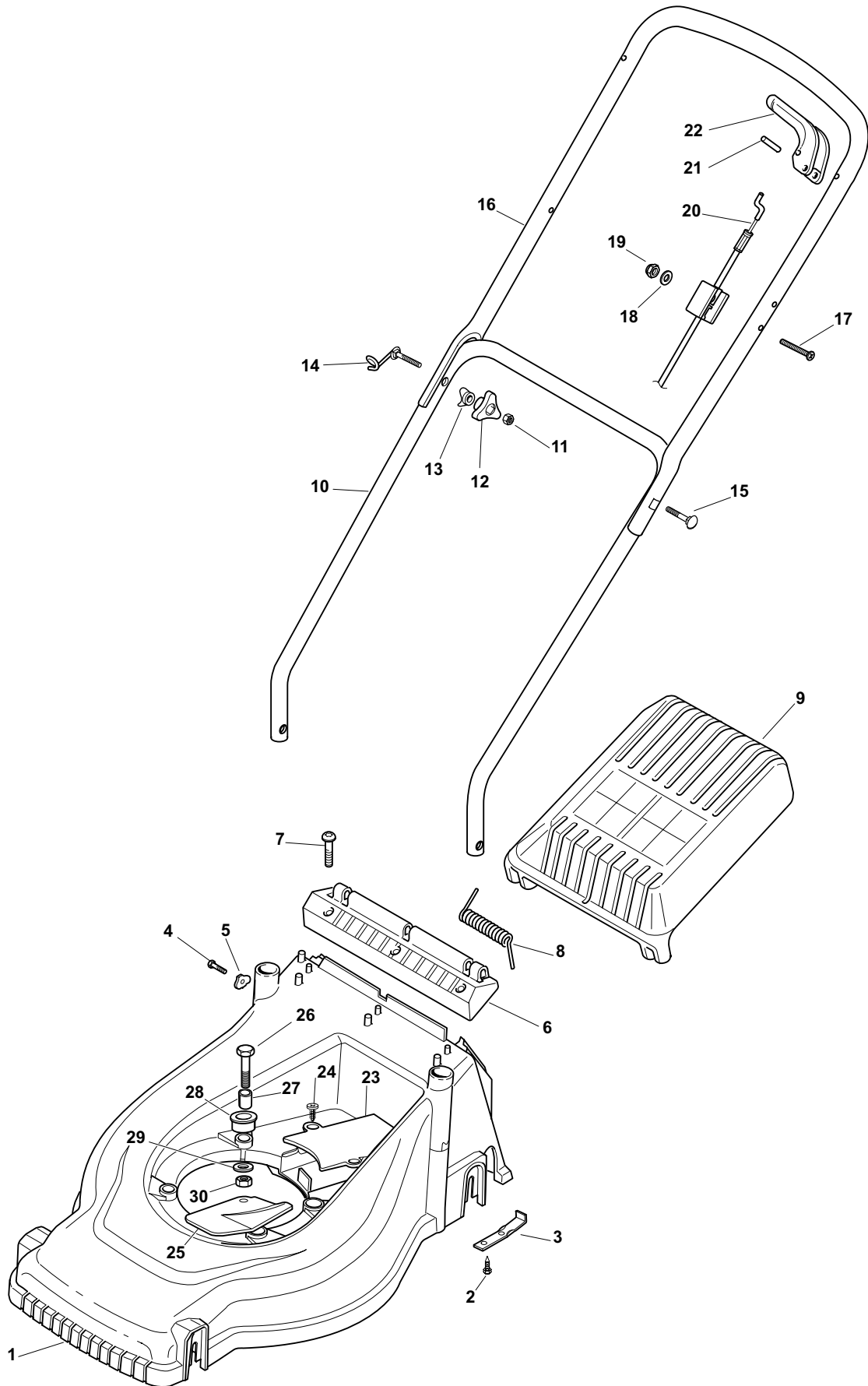
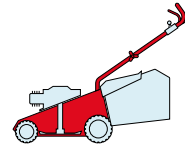
| POS. | CODE | Q.TY | DESCRIZIONE | DESCRIPTION | DESCRIPTION | BESCHREIBUNG | REMARKS |
|------|------------|------|-------------------|----------------|-------------------|----------------|---------|
| 1 | 22110252/1 | | Coprimozzo Bianco | Hub Cap White | Couvre-Moyeu | Radkappe Weiße | |
| 1 | 22110254/1 | | Coprimozzo Giallo | Hub Cap Yellow | Couvre-Moyeu | Radkappe Gelbe | |
| 1 | 22110255/1 | | Coprimozzo Rosso | Hub Cap Red | Couvre-Moyeu | Radkappe Rote | |
| 2 | 22110344/0 | | Coprimozzo Bianco | Hub Cap White | Couvre-Moyeu | Radkappe Weiße | |
| 2 | 22110395/0 | | Coprimozzo Grigio | Hub Cap Grey | Couvre-Moyeu Gris | Radkappe Grau | |
| 3 | 22110347/0 | | Coprimozzo Grigio | Hub Cap Grey | Couvre-Moyeu Gris | Radkappe Grau | |
| 4 | 22110381/0 | | Coprimozzo Grigio | Hub Cap Grey | Couvre-Moyeu Gris | Radkappe Grau | |
| 5 | 22110416/0 | | Coprimozzo Grigio | Hub Cap Grey | Couvre-Moyeu Gris | Radkappe Grau | |
| 6 | 22110495/0 | | Coprimozzo Grigio | Hub Cap Grey | Couvre-Moyeu Gris | Radkappe Grau | |
| 7 | 22110493/0 | | Coprimozzo Grigio | Hub Cap Grey | Couvre-Moyeu Gris | Radkappe Grau | |
| 8 | 22110491/0 | | Coprimozzo Grigio | Hub Cap Grey | Couvre-Moyeu Gris | Radkappe Grau | |

ENCLOSURE 2



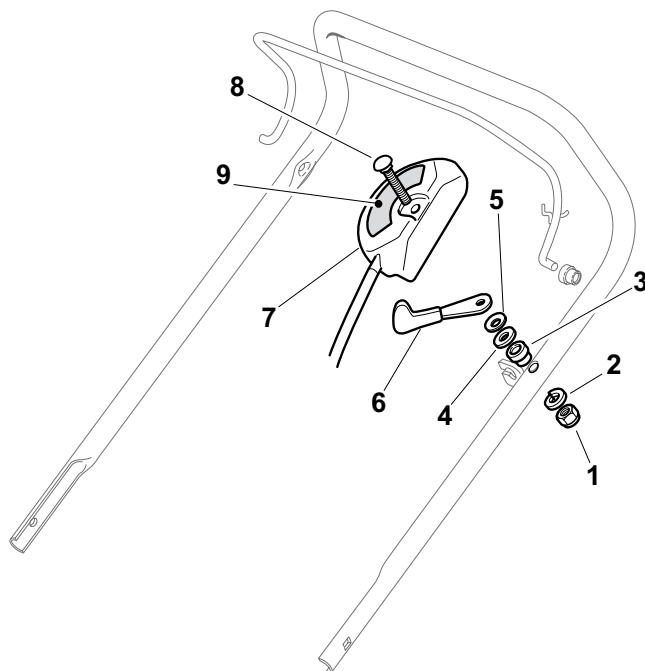
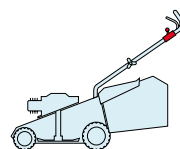
| POS. | CODE | Q.TY | DESCRIZIONE | DESCRIPTION | DESCRIPTION | BESCHREIBUNG | REMARKS |
|------|------------|------|--------------------|----------------|-------------------|----------------|---------|
| 1 | 22110251/0 | | Coprismozzo Bianco | Hub Cap White | Couvre-Moyeu | Radkappe Weiße | |
| 1 | 22110253/0 | | Coprismozzo Giallo | Hub Cap Yellow | Couvre-Moyeu | Radkappe Gelbe | |
| 1 | 22110256/0 | | Coprismozzo Rosso | Hub Cap Red | Couvre-Moyeu | Radkappe Rote | |
| 2 | 22110313/0 | | Coprismozzo Bianco | Hub Cap White | Couvre-Moyeu | Radkappe Weiße | |
| 2 | 22110314/0 | | Coprismozzo Grigio | Hub Cap Grey | Couvre-Moyeu Gris | Radkappe Grau | |
| 3 | 22110348/0 | | Coprismozzo Grigio | Hub Cap Grey | Couvre-Moyeu Gris | Radkappe Grau | |
| 4 | 22110382/0 | | Coprismozzo Grigio | Hub Cap Grey | Couvre-Moyeu Gris | Radkappe Grau | |
| 5 | 22110417/0 | | Coprismozzo Grigio | Hub Cap Grey | Couvre-Moyeu Gris | Radkappe Grau | |
| 6 | 22110496/0 | | Coprismozzo Grigio | Hub Cap Grey | Couvre-Moyeu Gris | Radkappe Grau | |
| 7 | 22110494/0 | | Coprismozzo Grigio | Hub Cap Grey | Couvre-Moyeu Gris | Radkappe Grau | |
| 8 | 22110492/0 | | Coprismozzo Grigio | Hub Cap Grey | Couvre-Moyeu Gris | Radkappe Grau | |

EP 434



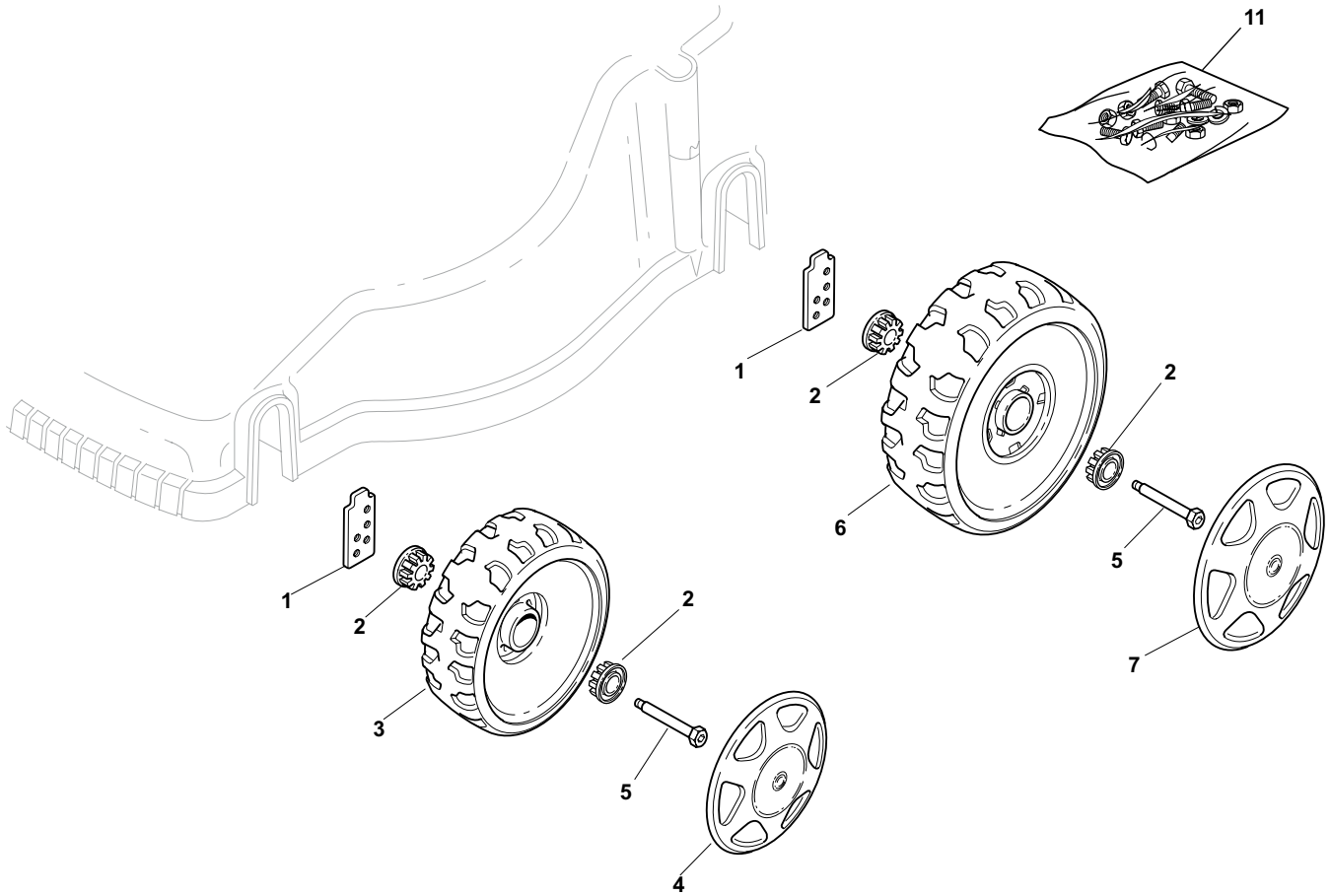
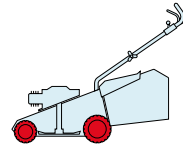
| POS. | CODE | Q.TY | DESCRIZIONE | DESCRIPTION | DESCRIPTION | BESCHREIBUNG | REMARKS |
|------|-------------|------|---------------------|--------------------------|------------------------|--------------------|--------------|
| 1 | 22066700/0 | 1 | Chassis Rosso | Deck Red | Châssis Rouge | Gehäuse Rot | |
| 2 | 12728680/0 | 4 | Vite | Screw | Vis | Schraube | |
| 3 | 22608531/0 | 2 | Rinforzo Posteriore | Rear Stiffening | Réinforcement Arriere | Hinterverstärkung | |
| 4 | 12728450/0 | 2 | Vite | Screw | Vis | Schraube | |
| 5 | 22545135/0 | 2 | Piastrina | Plate | Plaquette | Plättchen | |
| 6 | 22785165/0 | 1 | Supporto | Support | Support | Halter | |
| 7 | 12728686/0 | 3 | Vite | Screw | Vis | Schraube | |
| 8 | 22450430/0 | 1 | Molla | Spring | Ressort | Feder | |
| 9 | 22600079/0 | 1 | Parasassi | Stone-Guard | Pare-Pierres | Prallblech | |
| 10 | 81006609/0 | 1 | Manico, Parte Inf | Handle, Lower Part | Mancheron, Partie Inf. | Holm, Unterteil | |
| 11 | 12293200/0 | 2 | Dado | Nut | Ecrou | Mutter | |
| 12 | 22399900/0 | 2 | Manopolina | Knob | Poignée | Griff | |
| 13 | 22680006/1 | 2 | Rosetta | Washer | Rondelle | Scheibe | |
| 14 | 81003801/1 | 1 | Molla Guida | Guide Spring | Ressort De Guide | Feder Führer | |
| 15 | 12819201/0 | 1 | Vite | Screw | Vis | Schraube | |
| 16 | 81006577/0 | 1 | Manico, Parte Sup | Handle, Upper Part | Mancheron, Partie Sup. | Holm, Oberteil | |
| 17 | 12674700/0 | 1 | Vite | Screw | Vis | Schraube | |
| 18 | 12521330/0 | 1 | Rosetta | Washer | Rondelle | Scheibe | |
| 19 | 12292100/0 | 1 | Dado | Nut | Ecrou | Mutter | |
| 20 | 81000613/0 | 1 | Cavo Freno Motore | Cable, Thread Eng. Brake | Cable Frein Moteur | Kabel, Motorbremse | (B&S) |
| 20 | 81000614/0 | 1 | Cavo Freno Motore | Cable, Thread Eng. Brake | Cable Frein Moteur | Kabel, Motorbremse | (GGP 150 cc) |
| 21 | 12645710/0 | 1 | Spina | Pin | Goupille | Stift | |
| 22 | 322321700/1 | 1 | Leva Freno Motore | Lever, Engine Brake | Levier Frein Moteur | Hebel, Motorbremse | |
| 23 | 22060171/0 | 1 | Carter Cinghia | Protection, Belt | Protection Courroie | Schutz, Riemen | |
| 24 | 12728686/0 | 2 | Vite | Screw | Vis | Schraube | |
| 25 | 22484070/1 | 1 | Paracalore | Muffler Guard | Grille De Protection | Schutzabdeckung | |
| 26 | 12691900/0 | 3 | Vite | Screw | Vis | Schraube | |
| 27 | 22167842/0 | 3 | Distanziale | Spacer | Entretoise | Distanzring | |
| 28 | 22040265/0 | 1 | Bussola | Bush | Douille | Buchse | |
| 29 | 12523070/0 | 3 | Rosetta | Washer | Rondelle | Scheibe | |
| 30 | 12155000/0 | 3 | Dado | Nut | Ecrou | Mutter | |

EP 434



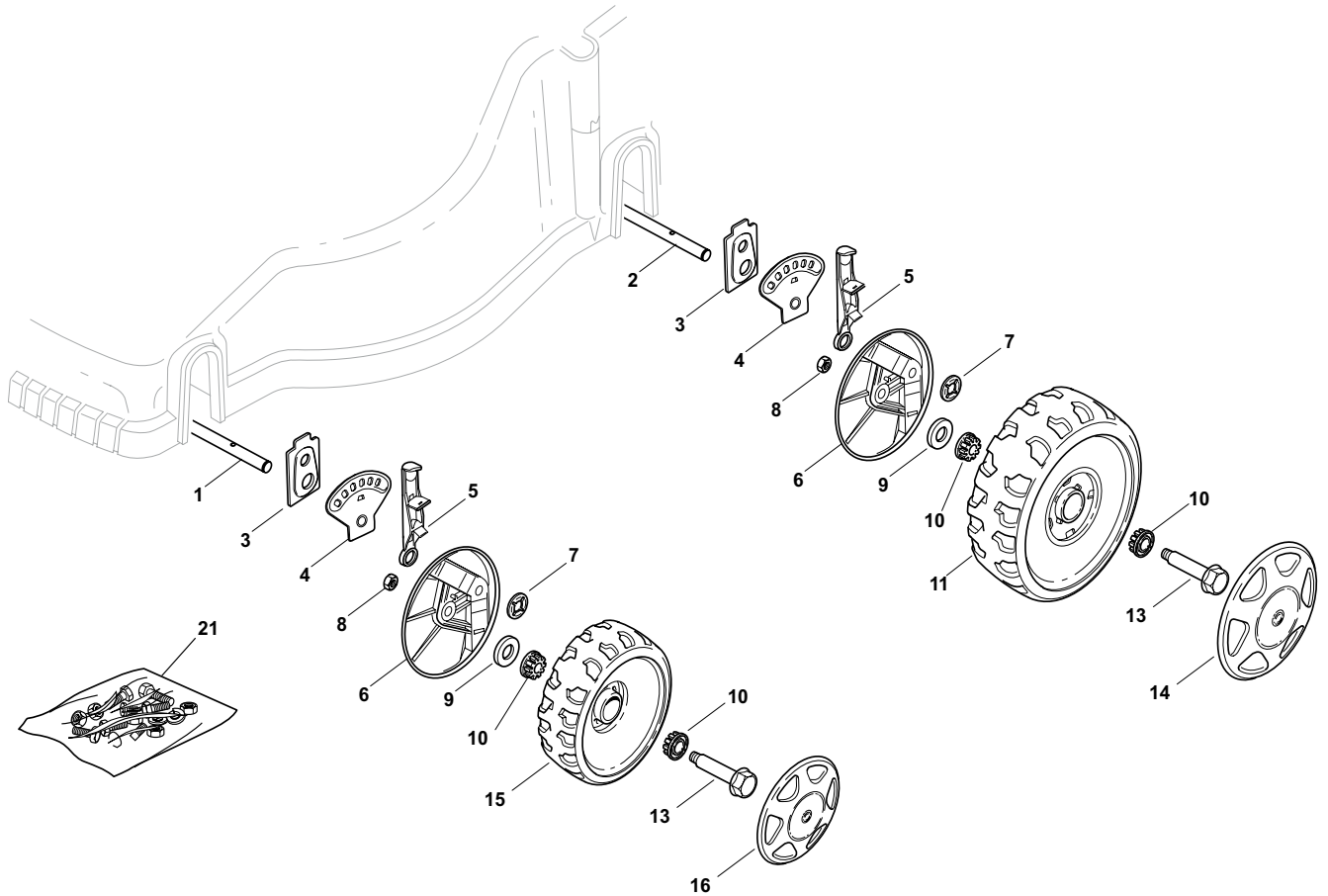
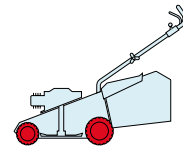
| POS. | CODE | Q.TY | DESCRIZIONE | DESCRIPTION | DESCRIPTION | BESCHREIBUNG | REMARKS |
|------|-------------|------|--------------------|-----------------|----------------------|----------------------|---|
| 1 | 12291000/0 | 1 | Dado | Nut | Ecrou | Mutter | |
| 2 | 12581500/0 | 1 | Grower | Grower | Grower | Federring | |
| 3 | 22171005/0 | 1 | Distanziale | Spacer | Entretoise | Distanzring | |
| 4 | 12521360/0 | 1 | Rosetta | Washer | Rondelle | Scheibe | |
| 5 | 12508100/0 | 1 | Rosetta Elastica | Spring Washer | Rondelle Elastique | Elastische Scheibe | |
| 6 | 81007279/1 | 1 | Leva, Acceleratore | Lever, Throttle | Levier, Accelérateur | Hebel, Beschleuniger | (B&S 625-675-700 Series - Honda - Ggp 140-160-196 cc) |
| 6 | 81007220/0 | 1 | Leva, Acceleratore | Lever, Throttle | Levier, Accelérateur | Hebel, Beschleuniger | (B&S 450-500 Series - Ggp 150 cc) |
| 7 | 81007080/0 | 1 | Cavo Acceleratore | Throttle Cable | Cable, Accelérateur | Gashebel Kabel | |
| 8 | 12815000/0 | 1 | Vite | Screw | Vis | Schraube | |
| 9 | 14356703/0 | 1 | Etichetta | Label | Etiquette | Etikette | (B&S) |
| 9 | 114356905/0 | 1 | Etichetta | Label | Etiquette | Etikette | (B&S 700 series DOV) |
| 9 | 14356702/0 | 1 | Etichetta | Label | Etiquette | Etikette | (GGP) |
| 9 | 114364264/0 | 1 | Etichetta | Label | Etiquette | Etikette | AVS (GGP 160-196) |
| 9 | 14356702/0 | 1 | Etichetta | Label | Etiquette | Etikette | (Honda) |
| 9 | 114356905/0 | 1 | Etichetta | Label | Etiquette | Etikette | (Honda GCV 160-190 Autochoke) |

EP 434

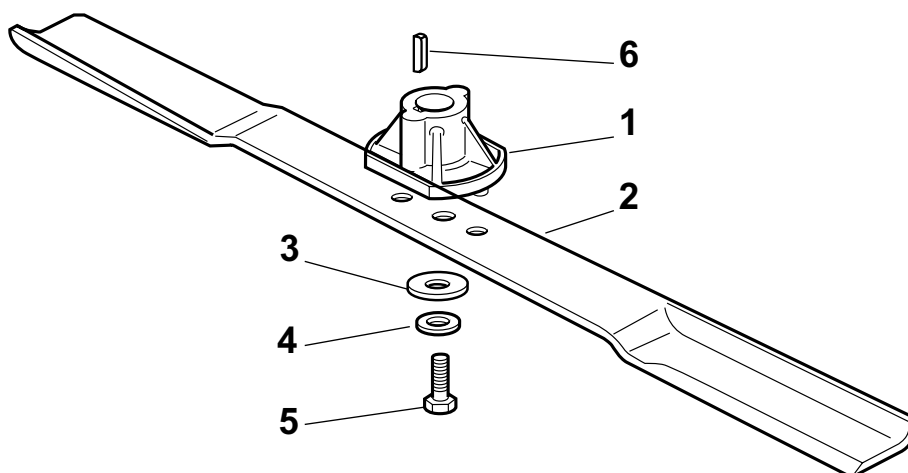
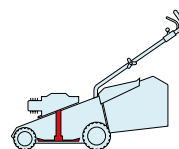


| POS. | CODE | Q.TY | DESCRIZIONE | DESCRIPTION | DESCRIPTION | BESCHREIBUNG | REMARKS |
|------|-------------|------|-------------------|----------------|-------------------|-----------------|-------------------|
| 1 | 322785093/1 | 4 | Supporto Ruota | Support, Wheel | Support Roue | Halter, Rad | |
| 2 | 22034515/1 | 8 | Bussola | Bush | Douille | Buchse | |
| 3 | 22686091/1 | 2 | Ruota Ø 165 | Wheel Ø 165 | Roue Ø 165 | Rad Ø 165 | |
| 4 | - | 2 | Coprimozzo | Hub Cap | Couvre-Moyeu | Radkappe | (See Enclosure 1) |
| 5 | 22524340/0 | 4 | Perno | Pin | Pivot | Bolzen | |
| 6 | 22686092/0 | 2 | Ruota Ø 190 | Wheel Ø 190 | Roue Ø190 | Rad Ø 190 | |
| 7 | - | 2 | Coprimozzo | Hub Cap | Couvre-Moyeu | Radkappe | (See Enclosure 2) |
| 11 | 81008679/0 | 1 | Dotazione Viteria | Outfit, Screws | Dotation Visserie | Satz, Schrauben | |

EP 434

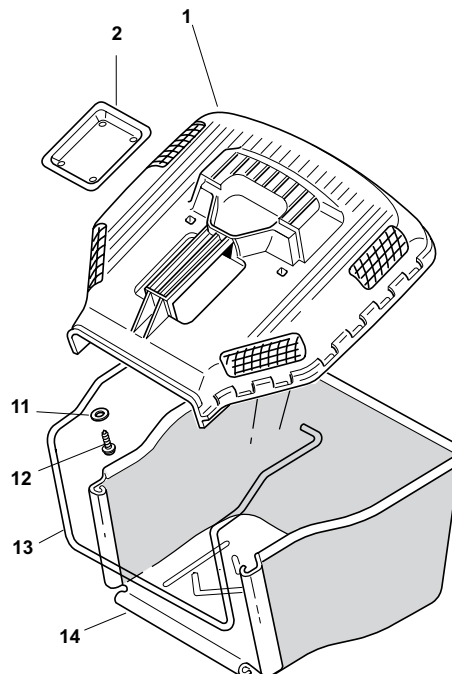
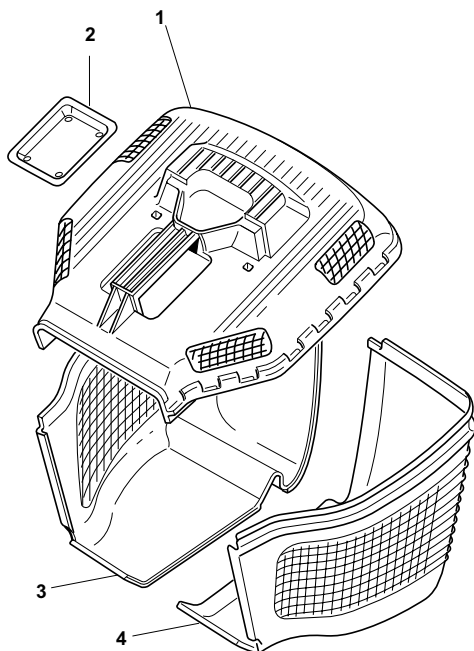
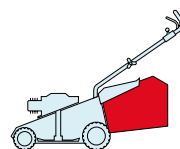


| POS. | CODE | Q.TY | DESCRIZIONE | DESCRIPTION | DESCRIPTION | BESCHREIBUNG | REMARKS |
|------|-------------|------|--------------------------|---------------------|--------------------|-------------------------|-------------------|
| 1 | 22033363/0 | 1 | Asse | Axle | Axe | Achse | |
| 2 | 22033362/0 | 1 | Asse | Axle | Axe | Achse | |
| 3 | 22785135/0 | 4 | Supporto | Support | Support | Halter | |
| 4 | 22735555/0 | 4 | Settore Di Regolazione | Sector, Height Adj. | Secteur Reglage H. | Sektor, Höheverstellung | |
| 5 | 81003306/0 | 4 | Leva Regolazione Altezza | Lever, Height Adj. | Levier Reglage H. | Hebel, Höheverstellung | |
| 6 | 322600170/0 | 4 | Prot. Ruote | Protection, Wheel | Protection Roue | Schütz, Räder | |
| 7 | 22020050/0 | 4 | Anello Elastico | Snap Ring | Anneau Ressort | Sprengring | |
| 8 | 12155000/0 | 4 | Dado | Nut | Ecrou | Mutter | |
| 9 | 25670011/0 | 4 | Rosetta | Washer | Rondelle | Scheibe | |
| 10 | 22034508/0 | 8 | Bussola | Bush | Douille | Buchse | |
| 11 | 22686092/0 | 2 | Ruota Ø 190 | Wheel Ø 190 | Roue Ø190 | Rad Ø 190 | |
| 13 | 22524341/0 | 4 | Perno | Pin | Pivot | Bolzen | |
| 14 | - | 2 | Coprismozzo | Hub Cap | Couvre-Moyeu | Radkappe | (See Enclosure 2) |
| 15 | 22686091/1 | 2 | Ruota Ø 165 | Wheel Ø 165 | Roue Ø 165 | Rad Ø 165 | |
| 16 | - | 2 | Coprismozzo | Hub Cap | Couvre-Moyeu | Radkappe | (See Enclosure 1) |
| 21 | 81008679/0 | 1 | Dotazione Viteria | Outfit, Screws | Dotation Visserie | Satz, Schrauben | |



| POS. | CODE | Q.TY | DESCRIZIONE | DESCRIPTION | DESCRIPTION | BESCHREIBUNG | REMARKS |
|------|------------|------|-------------------|----------------|--------------------|-------------------|---------|
| 1 | 22463012/2 | 1 | Mozzo | Hub | Moyeu | Halter | |
| 2 | 81004341/3 | 1 | Coltello Standard | Blade Standard | Lame Standard | Messer Standard | |
| 3 | 22160400/0 | 1 | Disco Elastico | Elastic Washer | Rondelle Elastique | Elastischescheibe | |
| 4 | 12523080/0 | 1 | Rosetta | Washer | Rondelle | Scheibe | |
| 5 | 12735698/0 | 1 | Vite | Screw | Vis | Schraube | |
| 6 | 12139100/0 | 1 | Linguetta | Feather | Clavette | Keil | |

EP 434



| POS. | CODE | Q.TY | DESCRIZIONE | DESCRIPTION | DESCRIPTION | BESCHREIBUNG | REMARKS |
|------|------------|------|-----------------------|-------------------------|----------------------------|----------------------|---------|
| 1 | 22486115/0 | 1 | Parte Sup.Sacco | Grassbox Upper Part | Sac, Partie Superieure | Korb Oberteil | |
| 2 | 22486098/0 | 1 | Piastrina | Plate | Plaquette | Plättchen | |
| 3 | 22486120/0 | 1 | Parte Infer. Sacco Dx | Grassbox Lower Part(R) | Sac, Partie Inferieure (D) | Korb Unterteil (R) | |
| 4 | 22486119/0 | 1 | Parte Infer. Sacco Sx | Grassbox Lower Part (L) | Sac, Partie Inferieure (G) | Korb Unterteil (L) | |
| 11 | 12521460/0 | 2 | Rosetta | Washer | Rondelle | Scheibe | |
| 12 | 12728300/0 | 2 | Vite | Screw | Vis | Schraube | |
| 13 | 22608518/0 | 1 | Rinforzo Inf | Stiffening Lower | Réinforcement Inf | Verstärkung Untere | |
| 14 | 81002239/0 | 1 | Sacco, Tela | Box, Fabric | Sac, Toile | Sack, Tuck | |