

Genuine Spare Parts

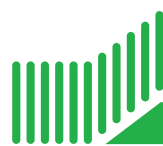
Catalogo delle parti di ricambio
Spare parts catalogue
Catalogue des pieces de rechange
Ersatzteilkatalog

2010

- Use GLOBAL GARDEN PRODUCT Genuine Spare Parts specified in the parts list for repair and/or replacement.
- The contents described in the parts list may change due to improvement.
- The drawings of the spare parts are only indicative and might not represent the part in question exactly.
- The indications "right" - "left" - "front" - "rear" refer to the position of the operator when using the machine.
- When placing orders of parts for repair and/or replacement, make sure that the illustrated parts list is the one applying to the machine's year of manufacture, as shown on the identification plate attached to the machine.

COPYRIGHT by GLOBAL GARDEN PRODUCTS

All rights reserved. No part of this material may be reproduced or transmitted, in any form or by any means, electronic or mechanical, including photocopying, recording or by any information storage and retrieval system, without permission in writing from GLOBAL GARDEN PRODUCTS.

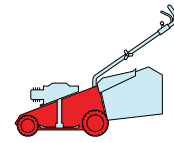


GLOBAL GARDEN PRODUCTS

GA 534

TR

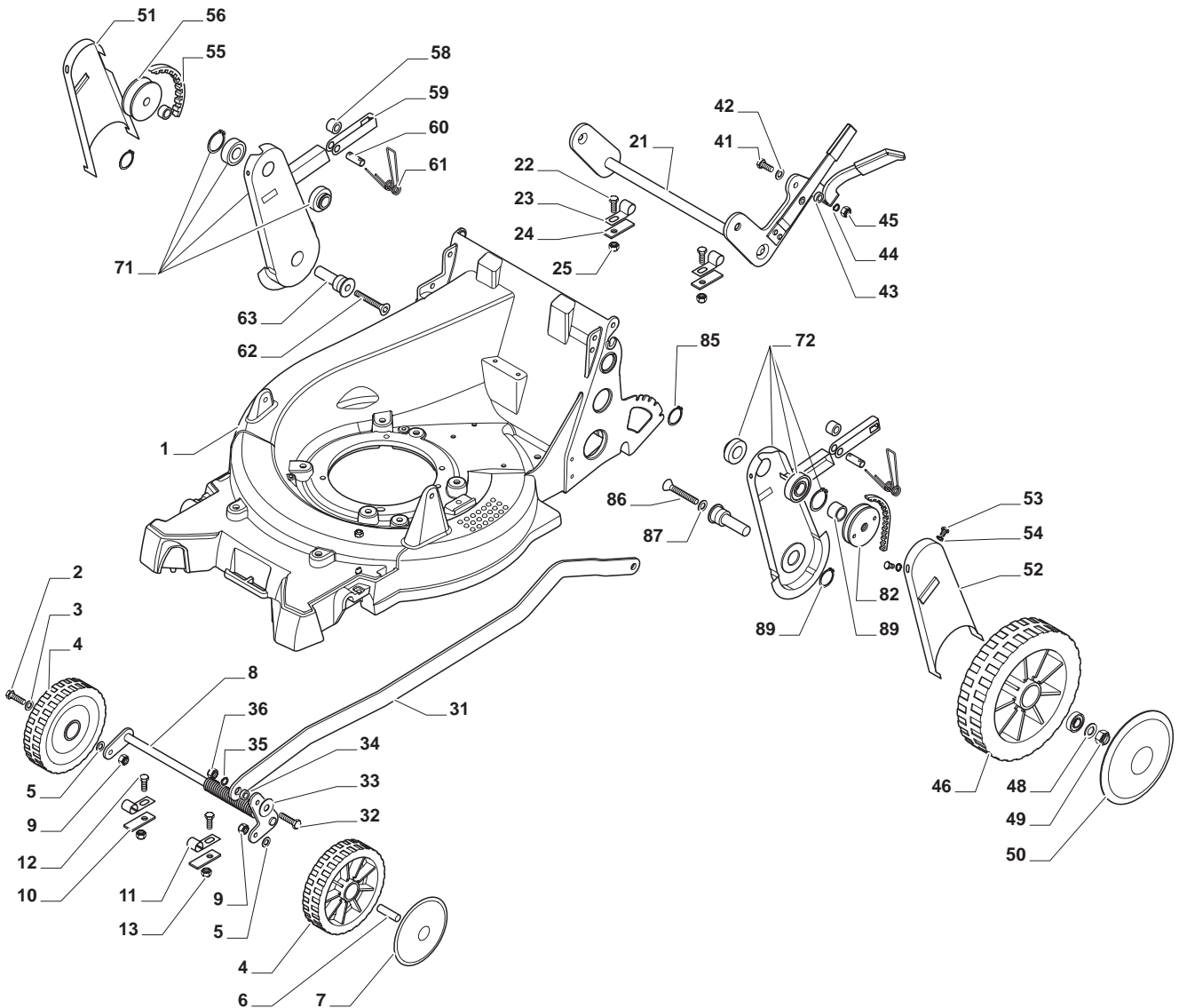
TR 3S



2010

91_001

1/2

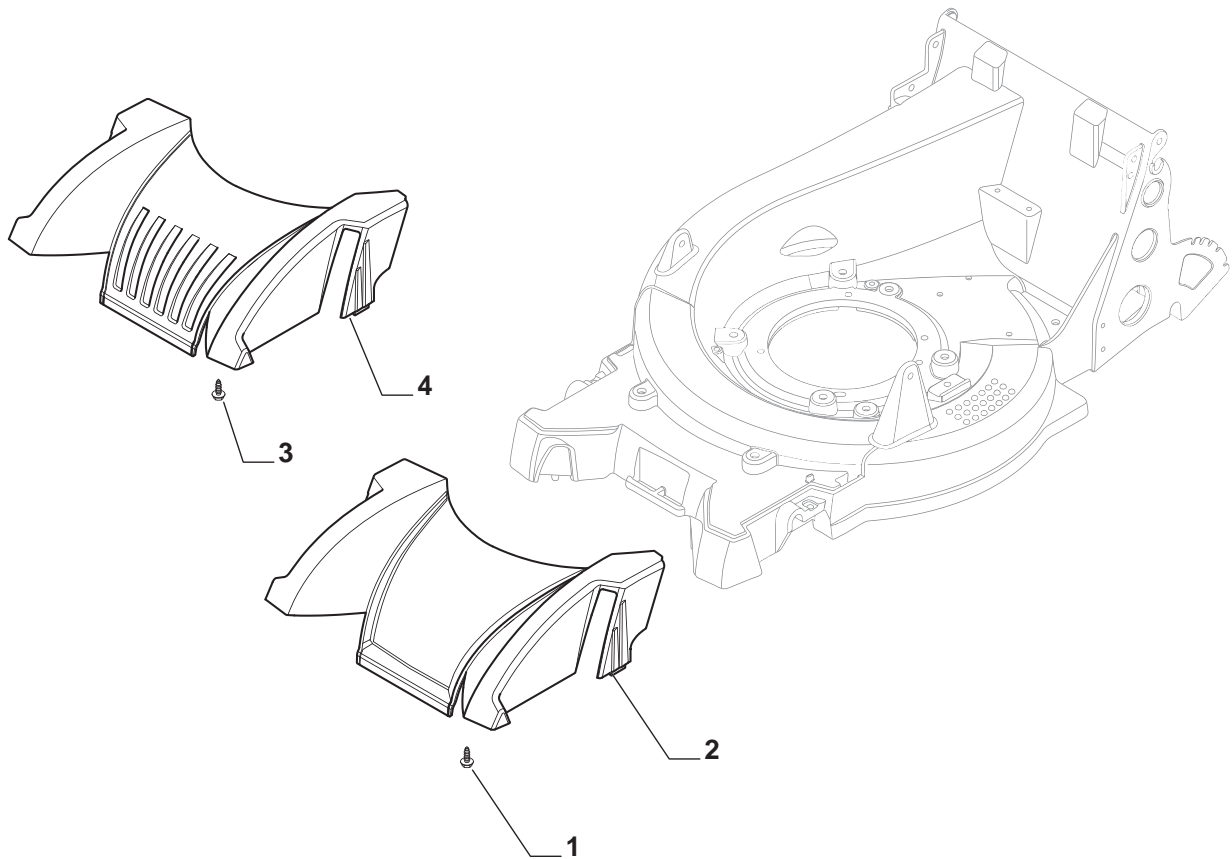


POS.	CODE	Q.TY	DESCRIZIONE	DESCRIPTION	DESCRIPTION	BESCHREIBUNG	REMARKS
1	381003773/0	1	Chassis Grigio	Deck Grey	Châssis Gris	Gehäuse Grau	
2	12691700/0	2	Vite	Screw	Vis	Schraube	
3	12523060/0	2	Rosetta	Washer	Rondelle	Scheibe	
4	15796	2	Ruota Ø 200	Wheel Ø 200	Roue Ø 200	Rad Ø 200	
5	12524010/0	2	Rosetta	Washer	Rondelle	Scheibe	
6	10724	2	Perno	Pin	Pivot	Bolzen	
7	14604	2	Coprimozzo Grigio Ø 200	Hub Cap, Grey Ø 200	Couvre-Moyeu, Gris Ø 200	Radkappe, Grau Ø 200	
8	381002867/0	1	Asse Ruote Anteriori	Axle, Front Wheels	Axe Roues Avant	Achse, Vorderrad	
9	12155000/0	2	Dado	Nut	Ecrou	Mutter	
10	10646	2	Piastrina	Plate	Plaquette	Platte	
11	14109	2	Piastrina	Plate	Plaquette	Platte	
12	12793701/0	2	Vite	Screw	Vis	Schraube	
13	12524010/0	2	Rosetta	Washer	Rondelle	Scheibe	
21	11760	1	Asse Ruote Posteriori	Axle, Rear Wheels	Axe Roues Arriere	Achse, Hinterrad	
24	10646	2	Piastrina	Plate	Plaquette	Platte	
23	14109	2	Piastrina	Plate	Plaquette	Platte	

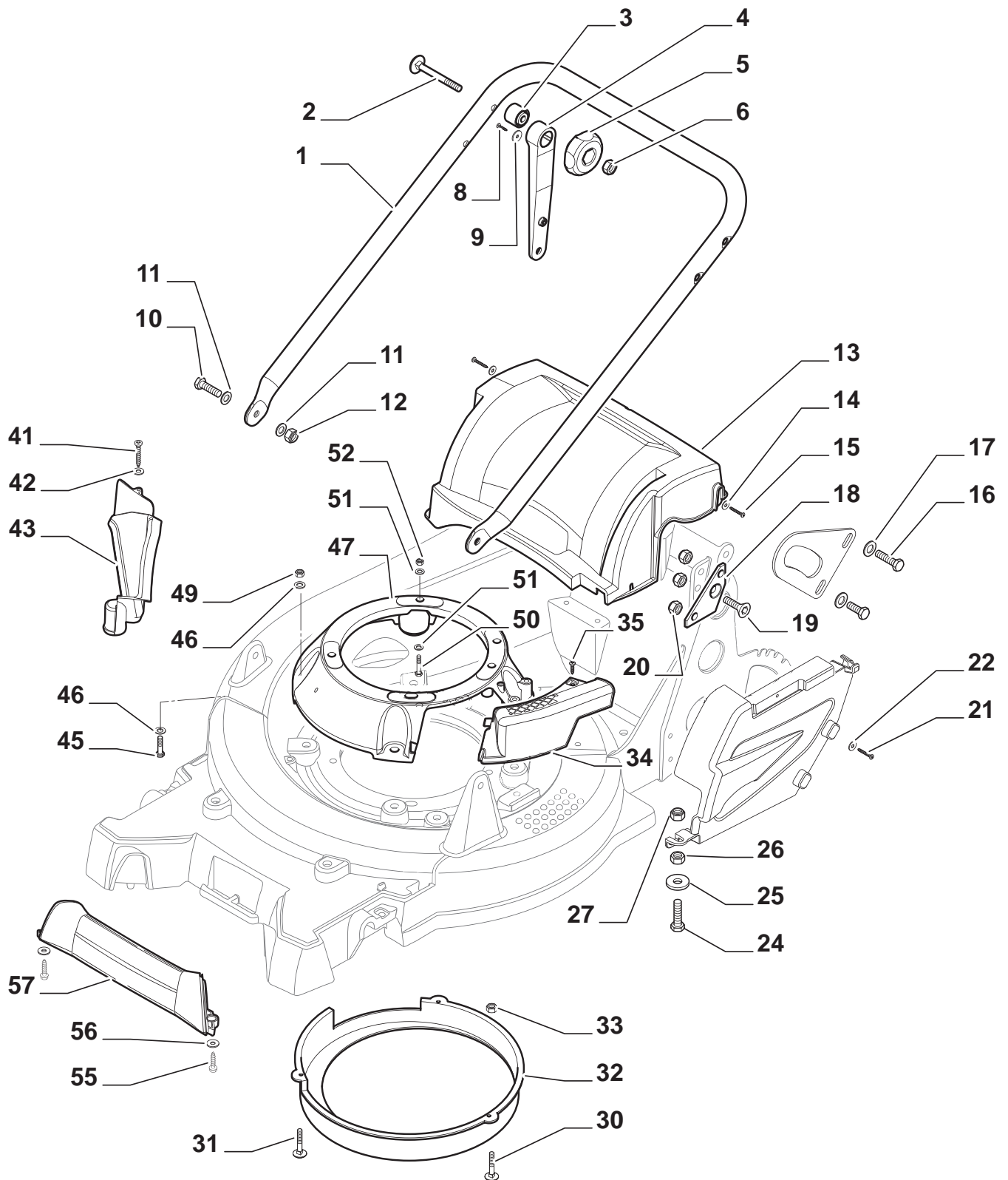
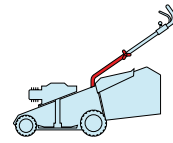
POS.	CODE	Q.TY	DESCRIZIONE	DESCRIPTION	DESCRIPTION	BESCHREIBUNG	REMARKS
22	12793701/0	2	Vite	Screw	Vis	Schraube	
25	12155000/0	2	Dado	Nut	Ecrou	Mutter	
31	381002025/0	1	Asta Comando Regol. Altezza	Rod, Height Adjustment	Tige Commande Reglage Hauteur	Stange, Höheverstellung	
32	12793701/0	2	Vite	Screw	Vis	Schraube	
33	12521350/0	2	Rosetta	Washer	Rondelle	Scheibe	
34	11705	2	Bussola	Bush	Douille	Buchse	
35	12523070/0	2	Rosetta	Washer	Rondelle	Scheibe	
36	12155000/0	2	Dado	Nut	Ecrou	Mutter	
41	12793700/0	1	Vite	Screw	Vis	Schraube	
42	12521350/0	1	Rosetta	Washer	Rondelle	Scheibe	
43	11705	1	Bussola	Bush	Douille	Buchse	
44	12523070/0	1	Rosetta	Washer	Rondelle	Scheibe	
45	12155000/0	1	Dado	Nut	Ecrou	Mutter	
46	15795	2	Ruota Ø 250	Wheel Ø 250	Roue Ø 250	Rad Ø 250	
48	12523060/0	2	Rosetta	Washer	Rondelle	Scheibe	
49	12155000/0	2	Dado	Nut	Ecrou	Mutter	
50	14601	2	Coprizzo Grigio Ø 250	Hub Cap, Grey Ø 250	Couvre-Moyeu, Gris Ø 250	Radkappe, Grau Ø 250	
51	381119751/0	1	Carter Cinghia	Protection, Belt	Protection	Schutz, Riemen	
52	381119753/0	1	Carter Cinghia	Protection, Belt	Protection	Schutz, Riemen	
53	12788800/0	4	Vite	Screw	Vis	Schraube	
54	12581500/0	4	Grower	Grower	Grower	Federring	
55	10700	2	Cinghia	Belt	Courroire	Riemen	
56	11109	1	Puleggia	Pulley	Poulie	Riemenscheibe	
58	10530	2	Bussola	Bush	Douille	Büchse	
59	10529	2	Piastrina	Plate	Plaquette	Platte	
60	10531	2	Perno	Pin	Pivot	Bolzen	
61	10636	2	Molla	Spring	Ressort	Feder	
62	112882030/0	1	Vite	Screw	Vis	Schraube	
63	10467	2	Perno	Pin	Pivot	Bolzen	
71	11763	1	Carter Cinghia	Protection, Belt	Protection	Schutz, Riemen	
72	11762	1	Carter Cinghia	Protection, Belt	Protection	Schutz, Riemen	
81	11108	2	Distanziale	Spacer	Entretoise	Distanzring	
82	11110	1	Puleggia	Pulley	Poulie	Riemenscheibe	
85	112609800/0	2	Seeger	Seeger	Seeger	Seeger	
86	112882035/0	1	Vite	Screw	Vis	Schraube	
87	12523070/0	1	Rosetta	Washer	Rondelle	Scheibe	
89	112609800/0	2	Seeger	Seeger	Seeger	Seeger	

TR

TR 3S



POS.	CODE	Q.TY	DESCRIZIONE	DESCRIPTION	DESCRIPTION	BESCHREIBUNG	REMARKS
1	112735420/0	2	Vite	Screw	Vis	Schraube	
2	322226131/0	1	Mascherina, Rosso	Mask, Red	Mesque, Rouge	Maske, Rot	
3	112735420/0	2	Vite	Screw	Vis	Schraube	
4	322226132/0	1	Mascherina, Giallo	Mask, Yellow	Mesque, Jaune	Maske, Gelb	

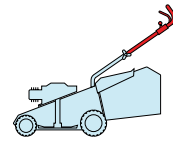


POS.	CODE	Q.TY	DESCRIZIONE	DESCRIPTION	DESCRIPTION	BESCHREIBUNG	REMARKS
1	322498119/0	1	Manico, Parte Inf Nero	Handle, Lower Part Black	Mancheron, Partie Inferieure Noir	Holm, Unterteil Schwarz	
1	322498121/0	1	Manico, Parte Inf Giallo	Handle, Lower Part Yellow	Mancheron, Partie Inferieure Jaune	Holm, Unterteil Gelb	
2	112819205/0	2	Vite	Screw	Vis	Schraube	
3	322020501/0	2	Gommino Antivibrante	Shock Absorber	Caoutchouc Anti-Vibrations	Schwingungsdämpfer	
4	322785285/0	2	Supporto	Support	Support	Halter	
5	322399804/1	2	Manopolina	Knob	Poignée	Griff	
6	12293200/0	2	Dado	Nut	Ecrou	Mutter	
8	12735101/0	2	Vite	Screw	Vis	Schraube	
9	12523010/0	2	Rosetta	Washer	Rondelle	Scheibe	
10	12793701/0	2	Vite	Screw	Vis	Schraube	
11	12521350/0	4	Rosetta	Washer	Rondelle	Scheibe	
12	12155000/0	2	Dado	Nut	Ecrou	Mutter	
13	322109824/1	1	Copertura Sup. Nero	Cover, Upper Black	Couvre, Sup. Noir	Oberteilkappe, Rot Schwarz	
14	112523000/1	2	Rosetta	Washer	Rondelle	Scheibe	
15	12728525/0	2	Vite	Screw	Vis	Schraube	
16	12793701/0	4	Vite	Screw	Vis	Schraube	
17	12521350/0	2	Rosetta	Washer	Rondelle	Scheibe	
18	15228	1	Supporto	Support	Support	Halter	
19	112882005/0	1	Vite	Screw	Vis	Schraube	
20	12155000/0	3	Dado	Nut	Ecrou	Mutter	
21	12728525/0	1	Vite	Screw	Vis	Schraube	
22	112523000/1	2	Rosetta	Washer	Rondelle	Scheibe	
24	12793701/0	1	Vite	Screw	Vis	Schraube	
25	12524010/0	1	Rosetta	Washer	Rondelle	Scheibe	
26	12293200/0	1	Dado	Nut	Ecrou	Mutter	
27	12155000/0	1	Dado	Nut	Ecrou	Mutter	
30	112760471/0	1	Vite	Screw	Vis	Schraube	
31	112760470/0	2	Vite	Screw	Vis	Schraube	
32	10743	1	Convogliatore	Conveyor	Convoyeur	Konveyor	
33	12150000/0	3	Dado	Nut	Ecrou	Mutter	
34	322601010/0	1	Protezione	Guard	Protection	Schutze	
35	12735101/0	1	Vite	Screw	Vis	Schraube	
41	12728525/0	1	Vite	Screw	Vis	Schraube	
42	112523000/1	2	Rosetta	Washer	Rondelle	Scheibe	
43	322601012/0	1	Protezione	Guard	Protection	Schutze	
45	112794400/0	4	Vite	Screw	Vis	Schraube	
46	12521360/0	8	Rosetta	Washer	Rondelle	Scheibe	
49	12156602/0	4	Dado	Nut	Ecrou	Mutter	
47	381207228/0	1	Flangia	Flange	Bride	Flansch	
50	12793801/0	3	Vite	Screw	Vis	Schraube	
51	12521350/0	6	Rosetta	Washer	Rondelle	Scheibe	
52	12155000/0	3	Dado	Nut	Ecrou	Mutter	
55	12731600/1	2	Vite	Screw	Vis	Schraube	
56	12523020/0	2	Rosetta	Washer	Rondelle	Scheibe	
57	322485001/0	1	Protezione	Guard	Protection	Schutze	

GA 534

TR

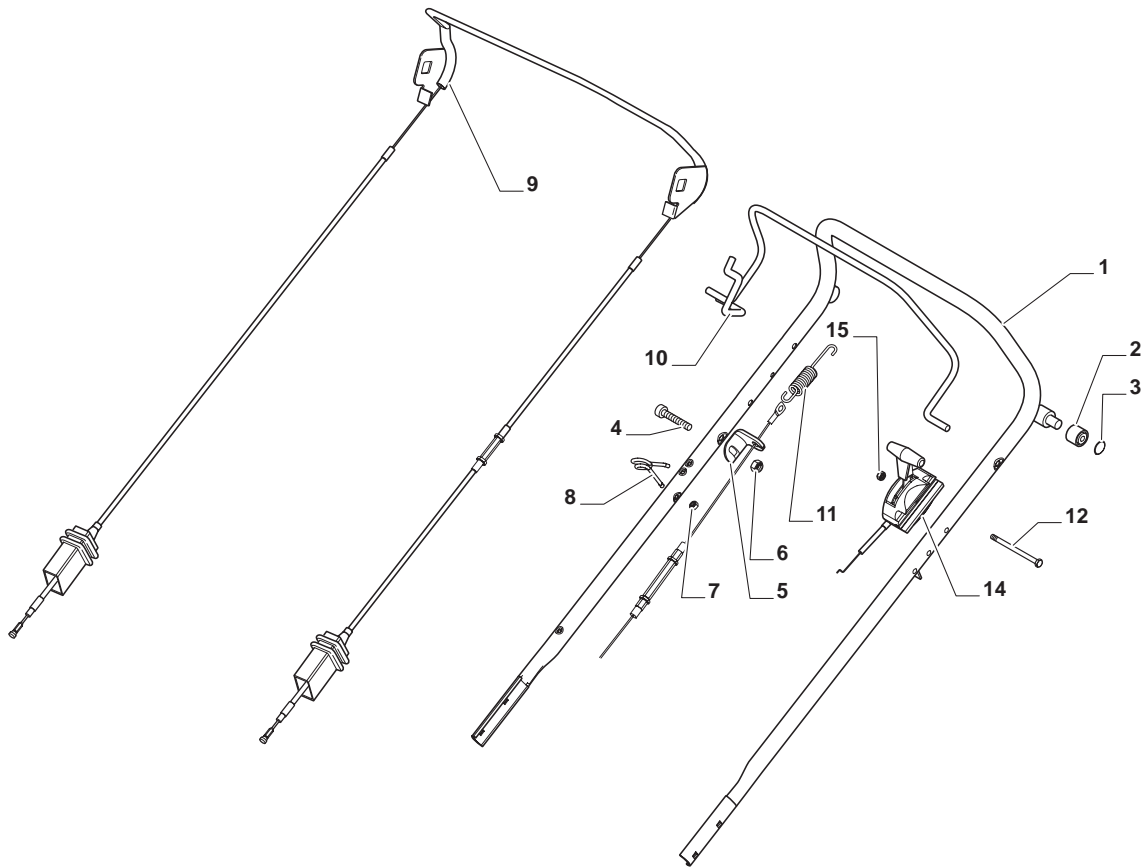
TR 3S



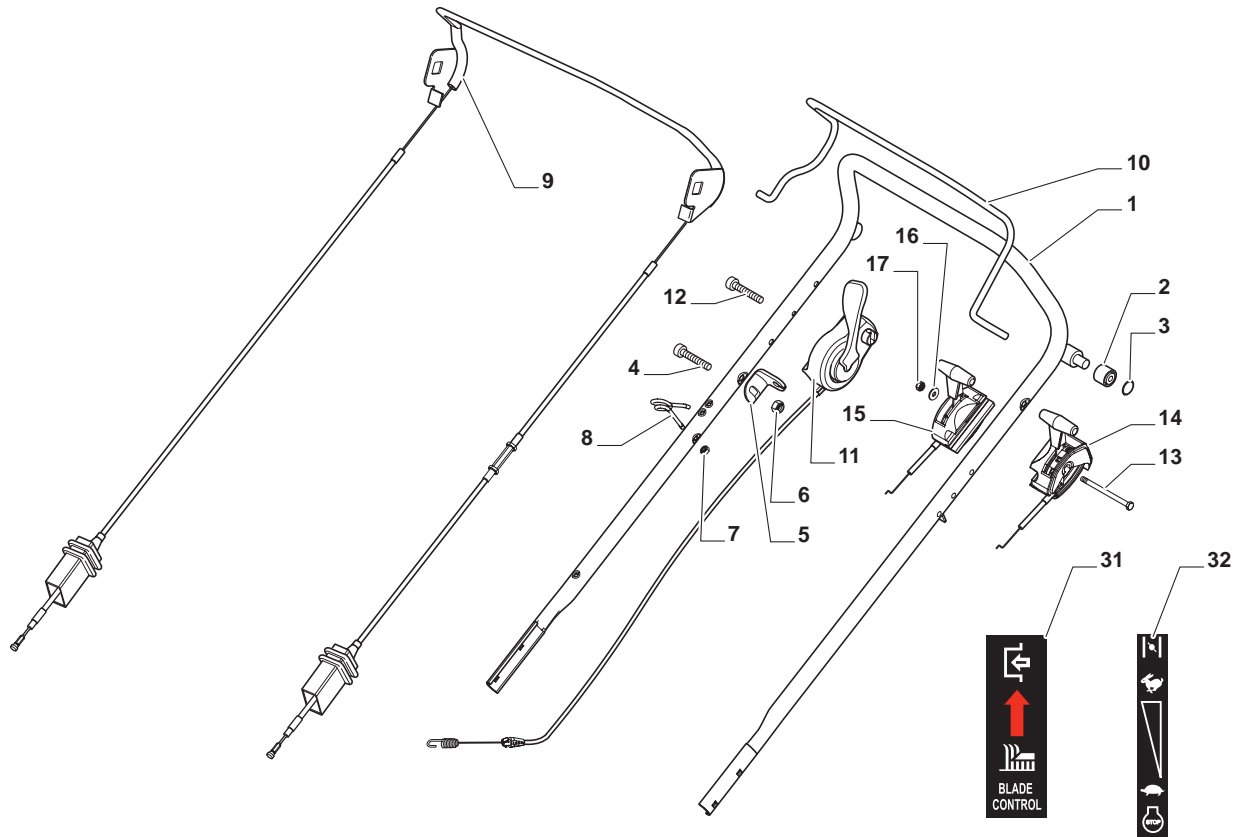
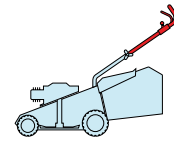
2010

91_004

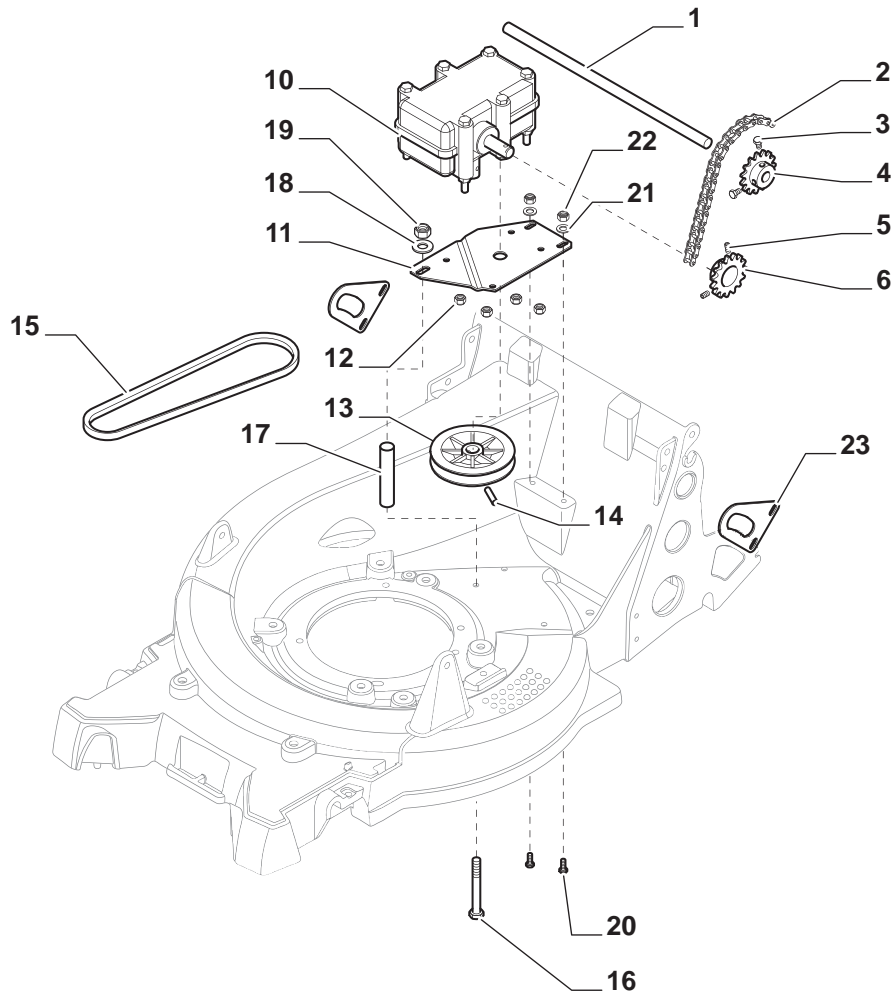
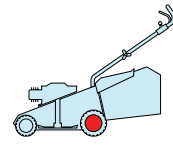
1 / 1



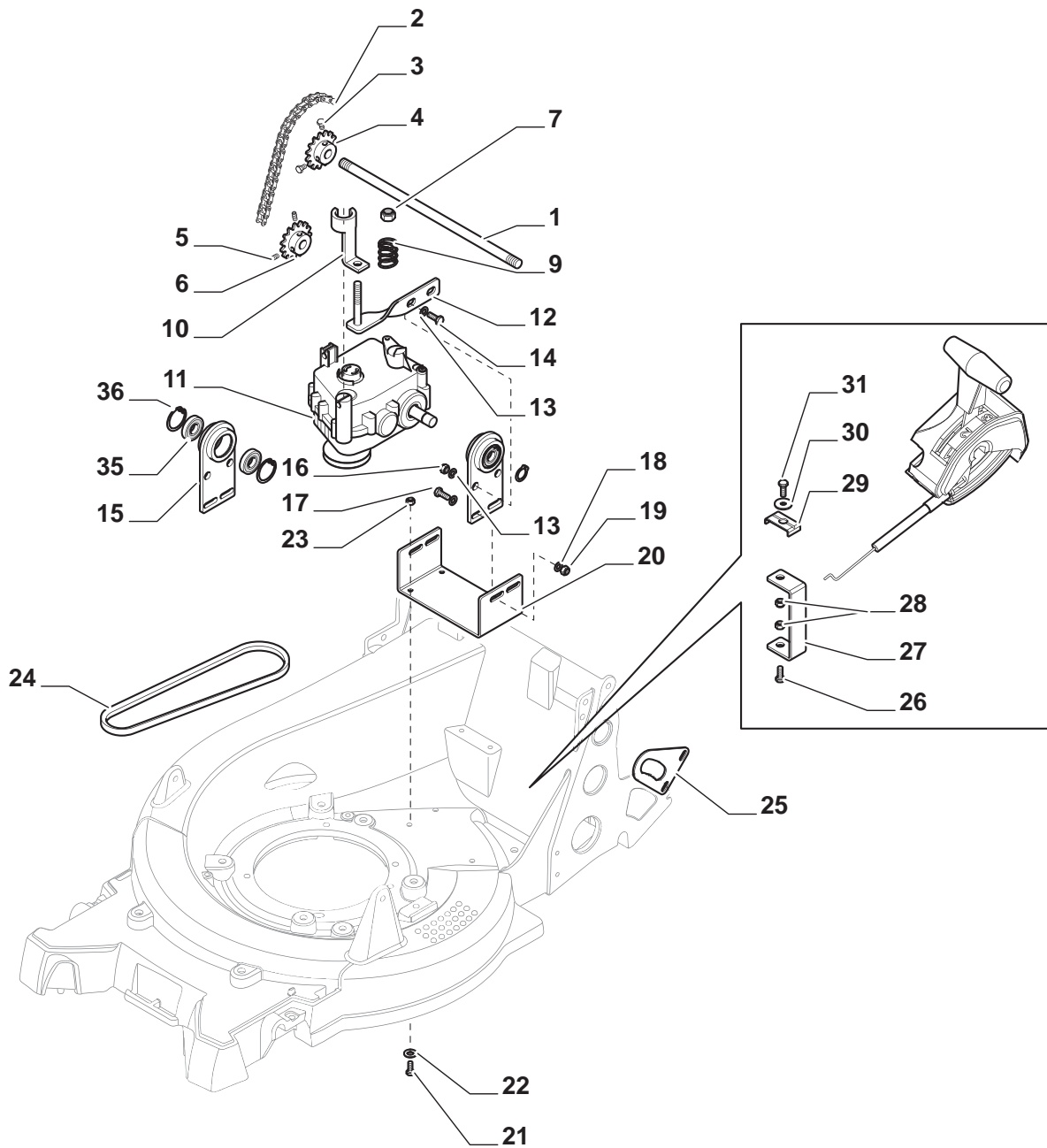
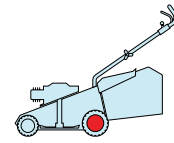
POS.	CODE	Q.TY	DESCRIZIONE	DESCRIPTION	DESCRIPTION	BESCHREIBUNG	REMARKS
1	381006871/0	1	Manico, Parte Sup, Nero	Handle, Upper Part, Black	Mancheron, Partie Supérieure, Noir	Holm, Oberteil, Schwarz	
1	381006873/0	1	Manico, Parte Sup Giallo	Handle, Upper Part Yellow	Mancheron, Partie Supérieure, Jaune	Holm, Oberteil, Gelb	
2	11076	2	Bussola	Bush	Douille	Büchse	
3	14608	2	Fissatore A Corona	Crown Fastener	Fixateur A Couronne	Kronescheibe	
4	12727793/0	1	Vite	Screw	Vis	Schraube	
5	14599	1	Piastrina Fissaggio Cavo	Plate For Cable Fastening	Plaquette Fixage Câble	Platte Kabelbefestigung	
6	12154510/0	1	Dado	Nut	Ecrou	Mutter	
7	12154330/0	1	Dado	Nut	Ecrou	Mutter	
8	122430309/0	1	Molla	Spring	Ressort	Feder	
9	381030038/1	1	Cavo Comando Trazione	Cable, Rear Drive	Câble, Commande Traction	Kabel, Antrieb	
10	181003334/0	1	Leva Trazione	Lever, Driving	Levier Traction	Hebel, Antrieb	
11	181030036/0	1	Cavo Freno Motore	Cable, Thread Engine Brake	Cable Frein Moteur	Kabel, Motorbremse	
12	12727786/0	1	Vite	Screw	Vis	Schraube	
14	181007145/0	1	Cavo Acceleratore	Throttle Cable	Cable, Accelérateur	Gashebel Kabel	
15	12154510/0	1	Dado	Nut	Ecrou	Mutter	



POS.	CODE	Q.TY	DESCRIZIONE	DESCRIPTION	DESCRIPTION	BESCHREIBUNG	REMARKS
1	381006871/0	1	Manico, Parte Sup, Nero	Handle, Upper Part, Black	Mancheron, Partie Supérieure, Noir	Holm, Oberteil, Schwarz	
1	381006873/0	1	Manico, Parte Sup Giallo	Handle, Upper Part Yellow	Mancheron, Partie Supérieure, Jaune	Holm, Oberteil, Gelb	
2	11076	2	Bussola	Bush	Douille	Büchse	
3	14608	2	Fissatore A Corona	Crown Fastener	Fixateur A Couronne	Kronescheibe	
4	12727793/0	1	Vite	Screw	Vis	Schraube	
5	14599	1	Piastrina Fissaggio Cavo	Plate For Cable Fastening	Plaquette Fixage Câble	Platte Kabelbefestigung	
6	12154510/0	1	Dado	Nut	Ecrou	Mutter	
7	12154330/0	1	Dado	Nut	Ecrou	Mutter	
8	122430309/0	1	Molla	Spring	Ressort	Feder	
9	381030038/1	1	Leva Comando Trazione	Lever, Rear Drive	Levier, Commande Traction	Hebel, Antrieb	
10	181003333/0	1	Cavo Comando Frizione Meccanica	Cable, Mechanical Clutch	Câble, Commande Embayage Mecanique	Kabel, Mechanische Kupplung	
11	381030034/0	1	Cavo Comando Frizione Meccanica	Cable, Mechanical Clutch	Câble, Commande Embayage Mecanique	Kabel, Mechanische Kupplung	
12	12727793/0	1	Vite	Screw	Vis	Schraube	
13	112689590/0	1	Vite	Screw	Vis	Schraube	
14	181007143/0	1	Cavo Comando Marce	Cable, Speed Drive Control	Cable, Comm. Change-ment Vitesse	Kabel, Gängeschaltun	
15	181007147/0	1	Cavo Acceleratore	Throttle Cable	Cable, Accelérateur	Gashebel Kabel	
16	12523040/0	1	Rosetta	Washer	Rondelle	Scheibe	
17	12154510/0	1	Dado	Nut	Ecrou	Mutter	
31	114363817/0	1	Etichetta	Label	Etiquette	Etikette	
32	114364387/0	1	Etichetta	Label	Etiquette	Etikette	

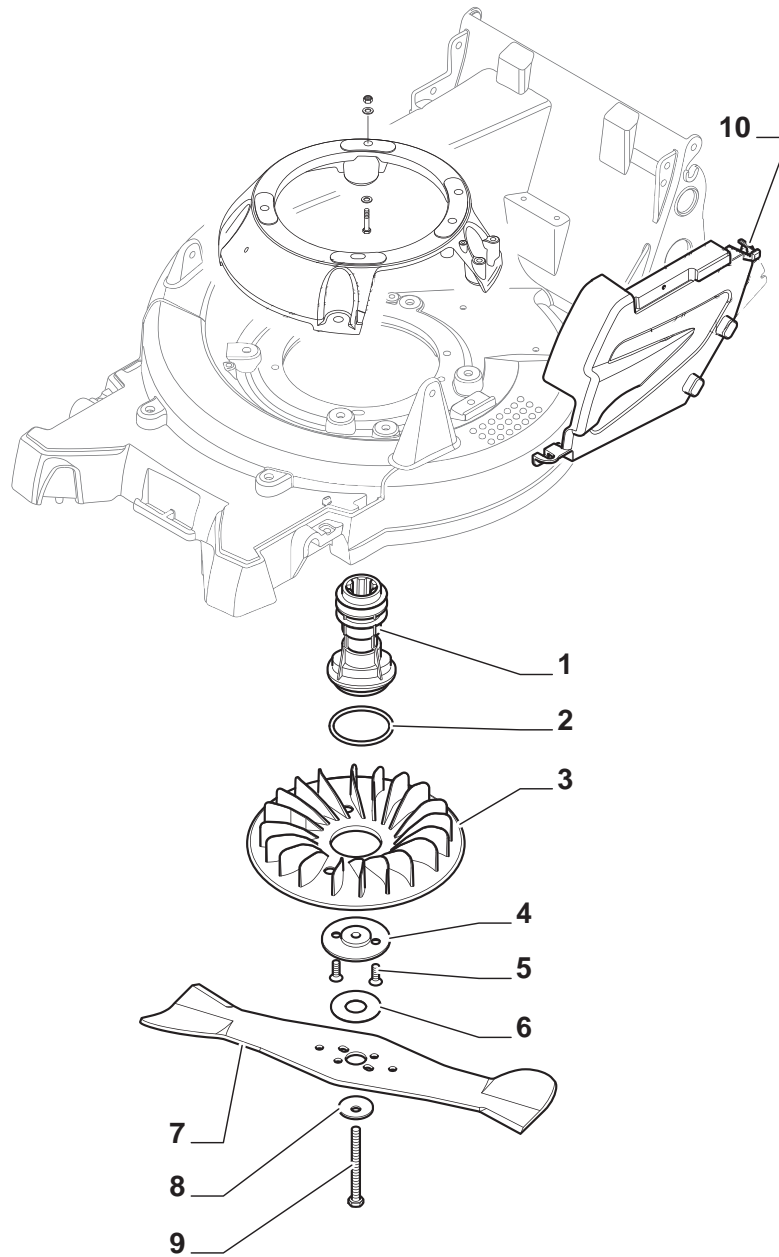
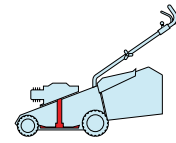


POS.	CODE	Q.TY	DESCRIZIONE	DESCRIPTION	DESCRIPTION	BESCHREIBUNG	REMARKS
1	11111	1	Asse Avanzamento	Axle	Axe	Achse	
2	14875	1	Catena	Chain	Chaîne	Kette	
3	VBCH6x12	2	Vite	Screw	Vis	Schraube	
4	15393	1	Pignone 15T	Pinion 15T	Pignon 15T	Ritzel 15T	
5	12714302/0	2	Grano	Dowel	Grain	Stift	
6	14117	1	Pignone 17T	Pinion 17T	Pignon 17T	Ritzel 17T	
10	15391	1	Gruppo Trazione	Gear Box	Groupe Traction	Antrieb	
11	14115	1	Supporto Gruppo Trazione	Support, Gear Box	Support Gr.	Halter, Antrieb	
12	12154510/0	4	Dado	Nut	Ecrou	Mutter	
13	15390	1	Puleggia	Pulley	Poulie	Riemenscheibe	
14	112645706/0	1	Spina Elastica	Pin	Goupille	Stift	
15	15507	1	Cinghia	Belt	Courroie	Riemen	
16	112692090/0	1	Vite	Screw	Vis	Schraube	
17	14119	1	Perno	Pin	Pivot	Bolzen	
18	12521350/0	1	Rosetta	Washer	Rondelle	Scheibe	
19	12155000/0	1	Dado	Nut	Ecrou	Mutter	
20	12791400/0	2	Vite	Screw	Vis	Schraube	
21	12523040/0	2	Rosetta	Washer	Rondelle	Scheibe	
22	12154510/0	2	Dado	Nut	Ecrou	Mutter	
23	14130	2	Piastrina	Plate	Plaque	Platte	



POS.	CODE	Q.TY	DESCRIZIONE	DESCRIPTION	DESCRIPTION	BESCHREIBUNG	REMARKS
1	11111	1	Asse Avanzamento	Axle	Axe	Achse	
2	15748	1	Catena	Chain	Chaine	Kette	
3	VBCH6x12	2	Vite	Screw	Vis	Schraube	
4	11751	1	Pignone 17T	Pinion 17T	Pignon 17T	Ritzel 17T	
5	112716110/0	2	Grano	Dowel	Grain	Stift	
6	15803	1	Pignone 15T	Pinion 15T	Pignon 15T	Ritzel 15T	
7	12154510/0	1	Dado	Nut	Ecrou	Mutter	
9	25135	1	Molla	Spring	Ressort	Feder	
10	15730	1	Staffa	Clamp	Etrier	Bride	
11	181003105/0	1	Gruppo Trazione	Gear Box	Groupe Traction	Antrieb	
12	15729	1	Supporto	Support	Support	Halter	

POS.	CODE	Q.TY	DESCRIZIONE	DESCRIPTION	DESCRIPTION	BESCHREIBUNG	REMARKS
13	12523040/0	8	Rosetta	Washer	Rondelle	Scheibe	
14	12791400/0	4	Vite	Screw	Vis	Schraube	
15	15724	2	Supporto	Support	Support	Halter	
16	12154510/0	4	Dado	Nut	Ecrou	Mutter	
17	12791400/0	4	Vite	Screw	Vis	Schraube	
18	12523040/0	8	Rosetta	Washer	Rondelle	Scheibe	
19	12154510/0	4	Dado	Nut	Ecrou	Mutter	
20	15725	1	Piastrina	Plate	Plaque	Platte	
21	112791200/1	4	Vite	Screw	Vis	Schraube	
22	112543001/0	1	Rosetta	Washer	Rondelle	Scheibe	
23	12154510/0	4	Dado	Nut	Ecrou	Mutter	
24	14586	1	Cinghia	Belt	Courroie	Riemen	
25	322545193/0	2	Piastrina	Plate	Plaque	Platte	
26	112791200/1	1	Vite	Screw	Vis	Schraube	
27	15723	1	Supporto	Support	Support	Halter	
28	12154510/0	2	Dado	Nut	Ecrou	Mutter	
29	10629	1	Piastrina	Plate	Plaque	Platte	
30	12523050/0	1	Rosetta	Washer	Rondelle	Scheibe	
31	12791500/0	1	Vite	Screw	Vis	Schraube	
35	19216035/0	4	Cuscinetto	Bearing	Coussinet	Lager	
36	12610095/0	4	Anello Elastico	Snap Ring	Anneau Ressort	Sprengring	

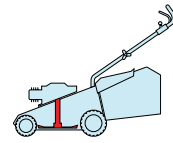


POS.	CODE	Q.TY	DESCRIZIONE	DESCRIPTION	DESCRIPTION	BESCHREIBUNG	REMARKS
1	122465643/0	1	Mozzo	Hub	Moyeu	Halter	
2	25489	1	Anello	Ring	Anneau	Ring	
3	25041	1	Ventola	Fan	Ventilateur	Lüfter	
4	14444	1	Flangia	Flange	Bride	Flansch	
5	122943012/0	2	Vite	Screw	Vis	Schraube	
6	5029	1	Rosetta	Washer	Rondelle	Scheibe	
7	181004149/0	1	Coltello Standard	Blade Standard	Lame Standard	Messer Standard	
8	14459	1	Rosetta	Washer	Rondelle	Scheibe	
9	112735820/0	1	Vite	Screw	Vis	Schraube	
10	322060229/0	1	Carter	Case	Carter	Blech	

GA 534

TR

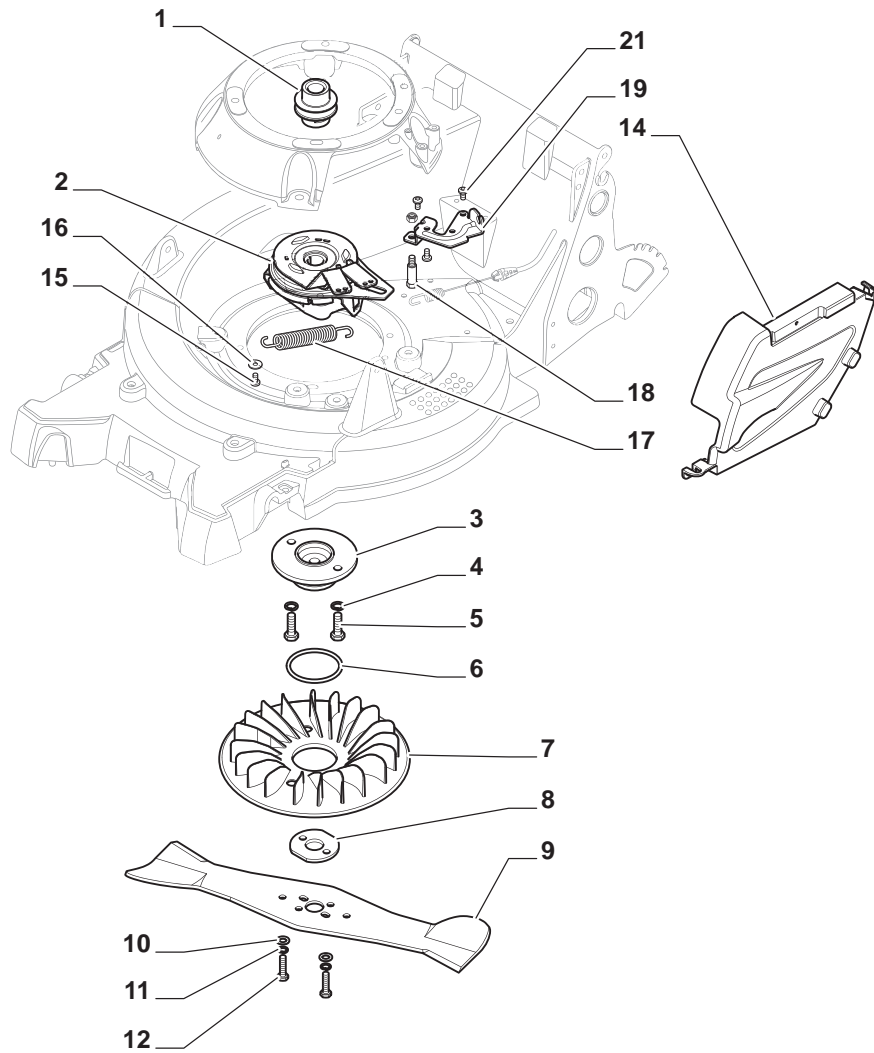
TR 3S



2010

91_009

1 / 1

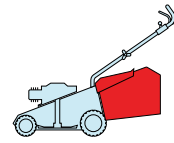


POS.	CODE	Q.TY	DESCRIZIONE	DESCRIPTION	DESCRIPTION	BESCHREIBUNG	REMARKS
1	122601927/0	1	Puleggia	Pulley	Poulie	Riemenscheibe	
2	118399052/0	1	Ass. Frizione Meccanica	Mechanical Clutch	Embrayage Mecanique	Mechanische Kupplung	
3	122465641/0	1	Mozzo	Hub	Moyeu	Halter	
4	12540070/0	2	Rosetta	Washer	Rondelle	Scheibe	
5	12794300/0	2	Vite	Screw	Vis	Schraube	
6	25489	1	Anello	Ring	Anneau	Ring	
7	25041	1	Ventola	Fan	Ventilateur	Lüfter	
8	322207335/0	1	Flangia	Flange	Bride	Flansch	
9	181004149/0	1	Coltello Standard	Blade Standard	Lame Standard	Messer Standard	
10	12521350/0	2	Rosetta	Washer	Rondelle	Scheibe	
11	12583500/0	2	Grower	Grower	Grower	Federring	
12	12793301/0	2	Vite	Screw	Vis	Schraube	
14	322060233/0	1	Carter	Case	Carter	Blech	
15	12735662/0	1	Vite	Screw	Vis	Schraube	
16	12523040/0	1	Rosetta	Washer	Rondelle	Scheibe	
17	122446189/0	1	Molla	Spring	Ressort	Feder	
18	125580018/0	1	Perno	Pin	Pivot	Bolzen	
19	322551667/0	1	Piastrina Fissaggio Cavo	Plate For Cable Fastening	Plaquette Fixage Câble	Platte Kabelbefestigung	
21	12735662/0	4	Vite	Screw	Vis	Schraube	

GA 534

TR

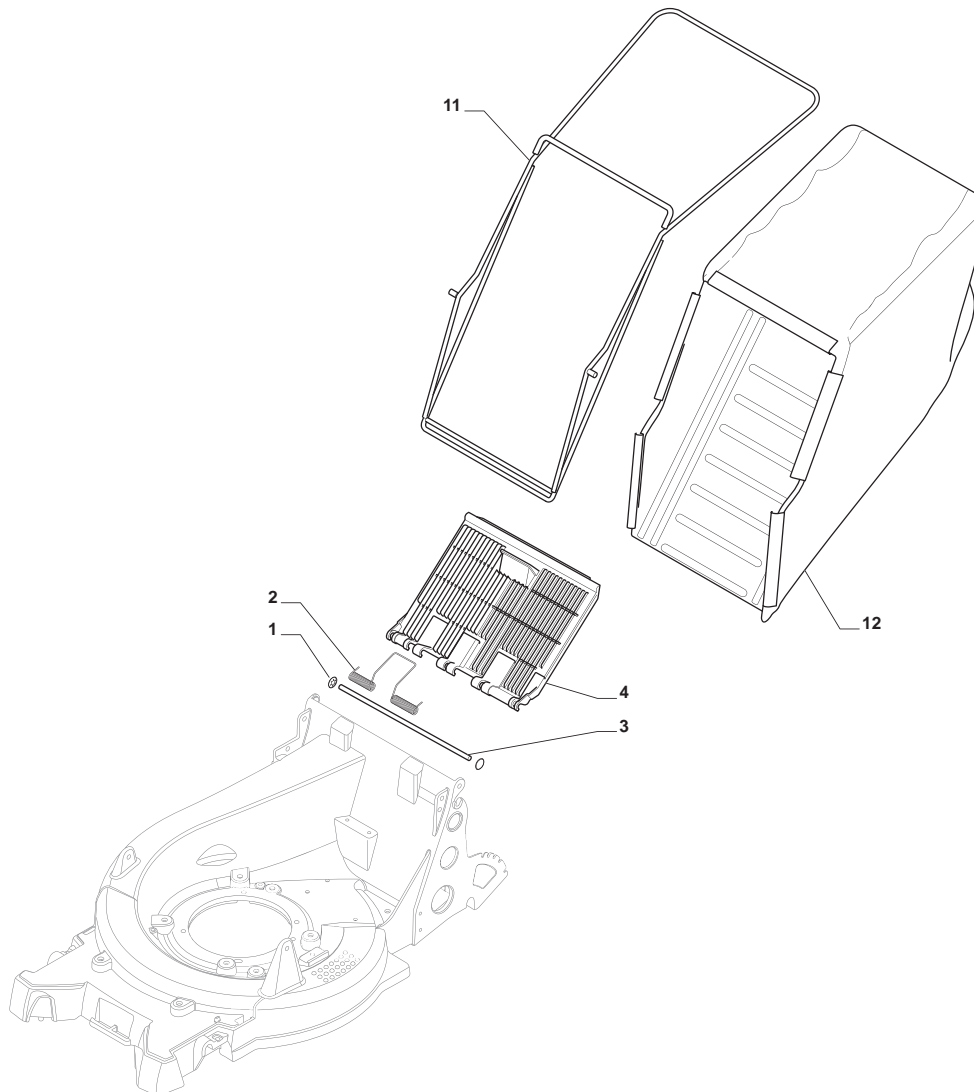
TR 3S



2010

91_010

1 / 1



POS.	CODE	Q.TY	DESCRIZIONE	DESCRIPTION	DESCRIPTION	BESCHREIBUNG	REMARKS
1	14608	2	Fissatore A Corona	Crown Fastener	Fixateur A Couronne	Kronescheibe	
2	122450463/0	1	Molla	Spring	Ressort	Feder	
3	10679	1	Perno	Pin	Pivot	Bolzen	
4	11189	1	Parasassi	Stone-Guard	Pare-Pierres	Prallblech	
11	14436	1	Telaio Sacco	Chassis Box	Châssis Bac	Rahmen Sack	
12	181002295/0	1	Sacco, Tela Castelgarden	Castelgarden Box, Fabric	Sac, Toile Castelgarden	Sack, Tuck Castelgarden	
12	181002296/0	1	Sacco, Tela Stiga	Box, Fabric Stiga	Sac, Toile Stiga	Sack, Tuck Stiga	