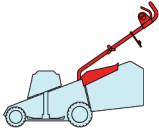
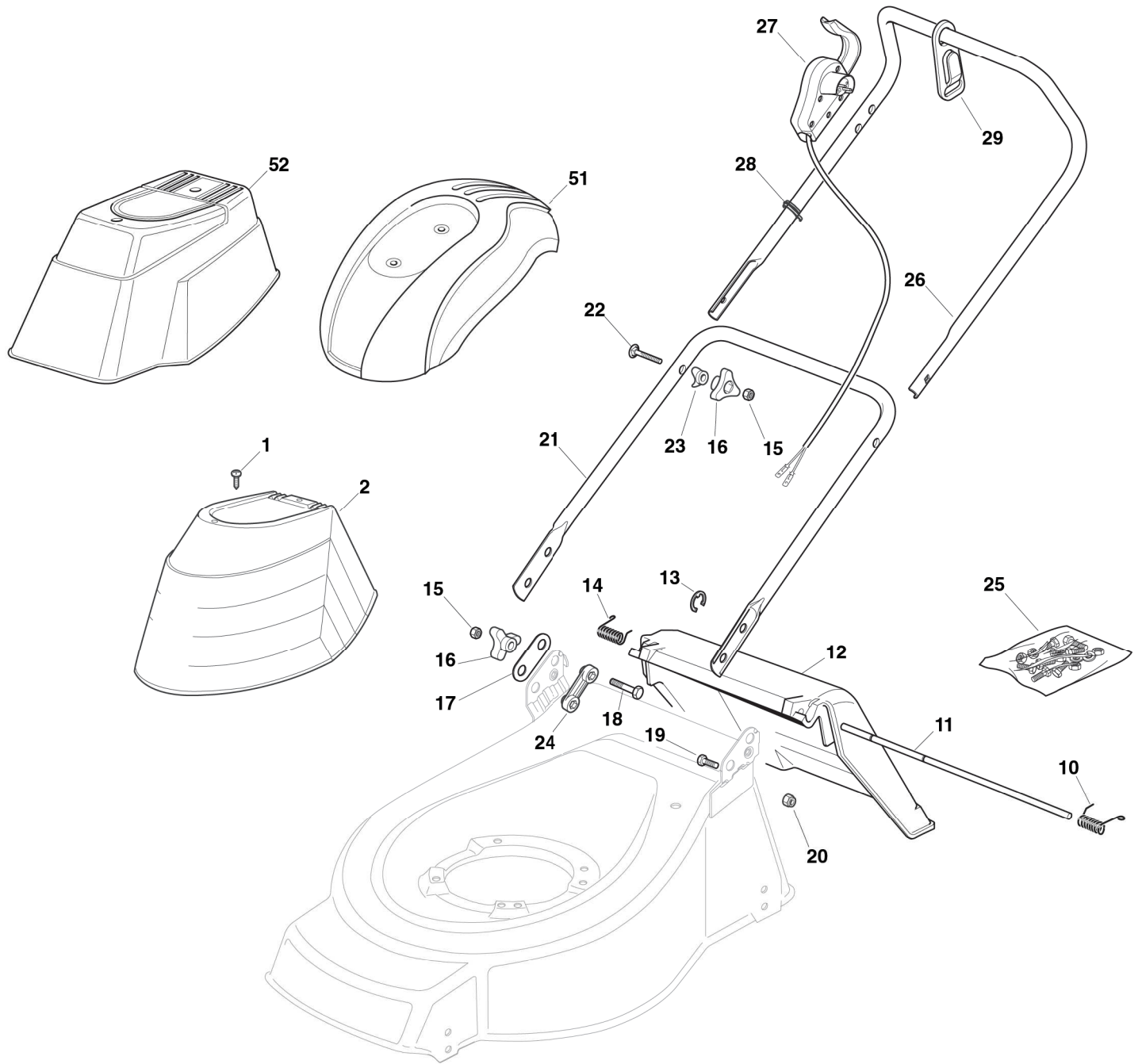


TABLES

| | | |
|------------|-------------|------------|
| TD | | TDL |
| 430 | 430S | 480 |

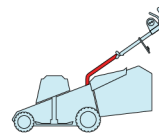


| |
|--------------|
| 2008 |
| 241.0 |
| 1 / 2 |

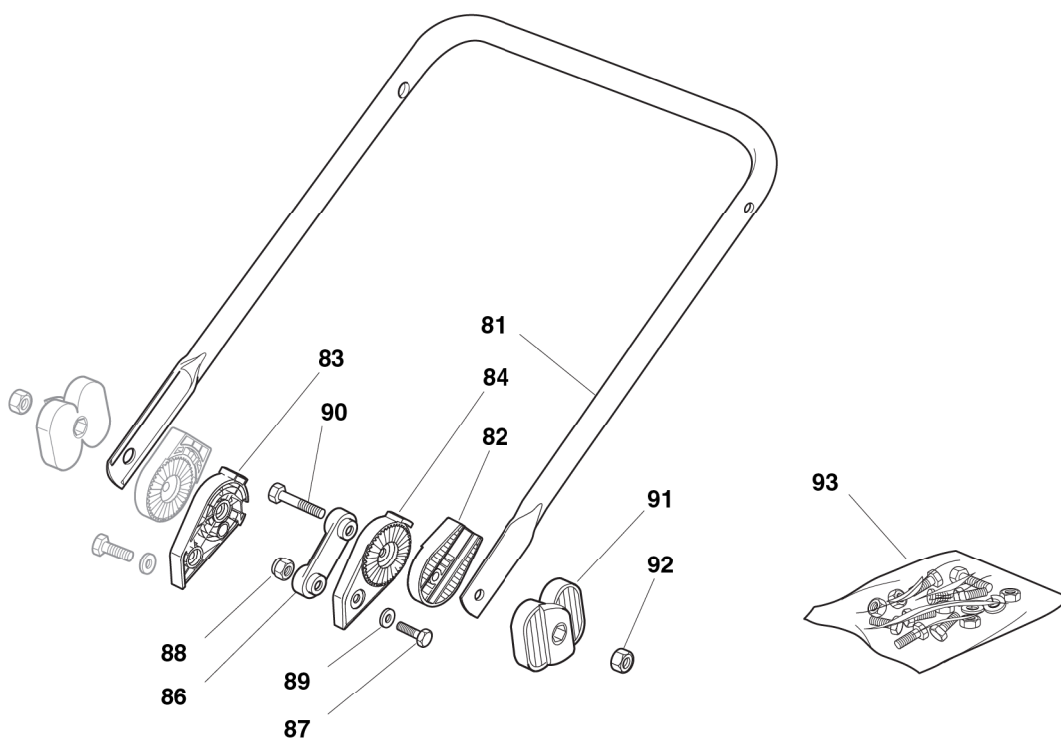


| POS. | CODE | Q.Q.TY | DESCRIZIONE | DESCRIPTION | DESCRIPTION | BESCHREIBUNG | REMARKS |
|------|------------|--------|-------------------|--------------------|------------------------------|------------------|-------------------|
| 1 | 12728680/0 | 2 | VITE | SCREW | VIS | SCHRAUBE | |
| 2 | 22055033/1 | 1 | CAPOTTINA | COVER | CAPOT | HAUBE | |
| 10 | 22450420/1 | 1 | MOLLA SX | L SPRING | RESSORT G | LINKE FEDER | |
| 11 | 22517906/1 | 1 | PERNO | PIN | PIVOT | BOLZEN | |
| 12 | 22600046/2 | 1 | PARASASSI | STONE-GUARD | PARE-PIERRES | PRALLBLECH | |
| 13 | 12000930/0 | 1 | ANELLO ELASTICO | SNAP RING | ANNEAU RESSORT | SPRENGRING | |
| 14 | 22450410/1 | 1 | MOLLA DX | R SPRING | RESSORT D | RECHTE FEDER | |
| 15 | 12293200/0 | 4 | DADO | NUT | ECROU | MUTTER | |
| 16 | 22399900/0 | 4 | MANOPOLINA | KNOB | POIGNÉE | GRIFF | |
| 17 | 22551574/0 | 2 | PIASTRINA ESTERNA | PLATE, OUTSIDE | PLAQUETTE EXTERNE | PLATTE, ÄUßERE | |
| 18 | 12691115/0 | 2 | VITE | SCREW | VIS | SCHRAUBE | |
| 19 | 12793300/0 | 2 | VITE | SCREW | VIS | SCHRAUBE | |
| 20 | 12155000/0 | 2 | DADO | NUT | ECROU | MUTTER | |
| 21 | 81006512/0 | 1 | MANICO, PARTE INF | HANDLE, LOWER PART | MANCHERON, PARTIE INFERIEURE | HOLM, UNTERTEIL | |
| 22 | 12819201/0 | 2 | VITE | SCREW | VIS | SCHRAUBE | |
| 23 | 22680006/1 | 2 | ROSETTA | WASHER | RONDELLE | SCHEIBE | |
| 24 | 22551575/0 | 2 | PIASTRINA INTERNA | PLATE, INSIDE | PLAQUETTE INTERNE | PLATTE, INNERE | |
| 25 | 81008596/1 | 1 | DOTAZIONE VITERIA | OUTFIT, SCREWS | DOTATION VISSERIE | SATZ, SCHRAUBEN | |
| 26 | 81007017/2 | 1 | MANICO, PARTE SUP | HANDLE, UPPER PART | MANCHERON, PARTIE SUPERIEURE | HOLM, OBERTEIL | |
| 27 | - | 1 | SALVAMOTORE | DEAD HAND SWITCH | INT. MAIN MORTE | TOT MANSCHALTER | (SEE ENCLOSURE 4) |
| 28 | 22192000/1 | 2 | FASCETTA | ANCHOR CLAMP | COLLIER ANCRAGE | BOWDENZUGHALTER | |
| 29 | 22195101/4 | 1 | FERMACAVO | FAIRLEAD | FIXATION CABLE | KABELBEFESTIGUNG | |
| 51 | 22055065/0 | 1 | CAPOTTINA | COVER | CAPOT | HAUBE | |
| 52 | 22055045/1 | 1 | CAPOTTINA | COVER | CAPOT | HAUBE | |

| | | | |
|------------|-------------|------------|--|
| TD | | TDL | |
| 430 | 430S | 480 | |

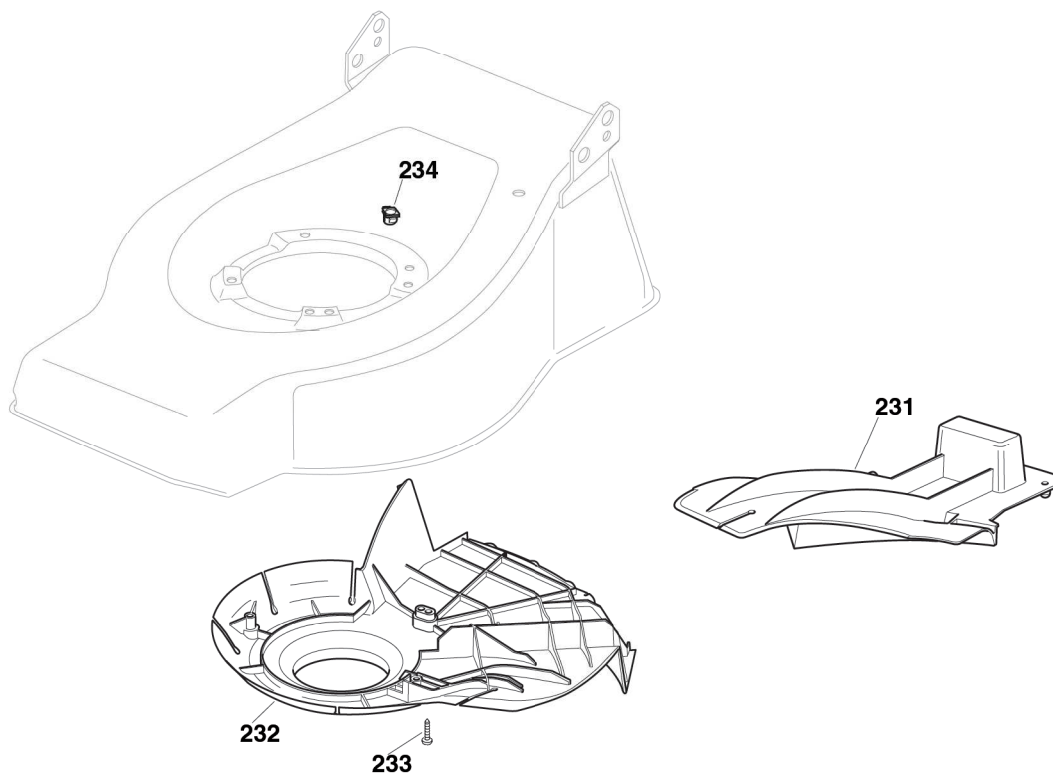


| |
|---------------|
| 2008 |
| 241a.0 |
| 1 / 1 |



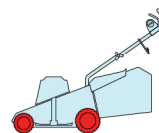
| POS. | CODE | Q.TY | DESCRIZIONE | DESCRIPTION | DESCRIPTION | BESCHREIBUNG | REMARKS |
|------|------------|------|---------------------|---------------------|------------------------------|------------------|---------|
| 81 | 81006532/0 | 1 | MANICO, PARTE INF | HANDLE, LOWER PART | MANCHERON, PARTIE INFERIEURE | HOLM, UNTERTEIL | |
| 82 | 22785081/1 | 2 | SUPPORTO ESTERNO | SUPPORT, EXTERNAL | SUPPORT EXTERNE | HALTER, AUSSERE | |
| 83 | 22785082/0 | 1 | SUPPORTO INTERNO DX | SUPPORT, R INTERNAL | SUPPORT INTERNE D | HALTER, INNERE R | |
| 84 | 22785083/1 | 1 | SUPPORTO INTERNO SX | SUPPORT, L INTERNAL | SUPPORT INTERNE G | HALTER, INNERE L | |
| 86 | 22551575/0 | 2 | PIASTRINA INTERNA | PLATE, INSIDE | PLAQUETTE INTERNE | PLATTE, INNERE | |
| 87 | 12793701/0 | 2 | VITE | SCREW | VIS | SCHRAUBE | |
| 88 | 12155000/0 | 2 | DADO | NUT | ECROU | MUTTER | |
| 89 | 12521350/0 | 2 | ROSETTA | WASHER | RONDELLE | SCHEIBE | |
| 90 | 12691810/0 | 2 | VITE | SCREW | VIS | SCHRAUBE | |
| 91 | 22399803/0 | 2 | MANOPOLINA | KNOB | POIGNÉE | GRIFF | |
| 92 | 12293202/0 | 2 | DADO | NUT | ECROU | MUTTER | |
| 93 | 81008623/1 | 1 | DOTAZIONE VITERIA | OUTFIT, SCREWS | DOTATION VISSERIE | SATZ, SCHRAUBEN | |

| | | | | |
|------------|-------------|------------|--|---------------|
| TD | | TDL | | 2008 |
| 430 | 430S | 480 | | 241b.0 |
| | | | | 1 / 1 |

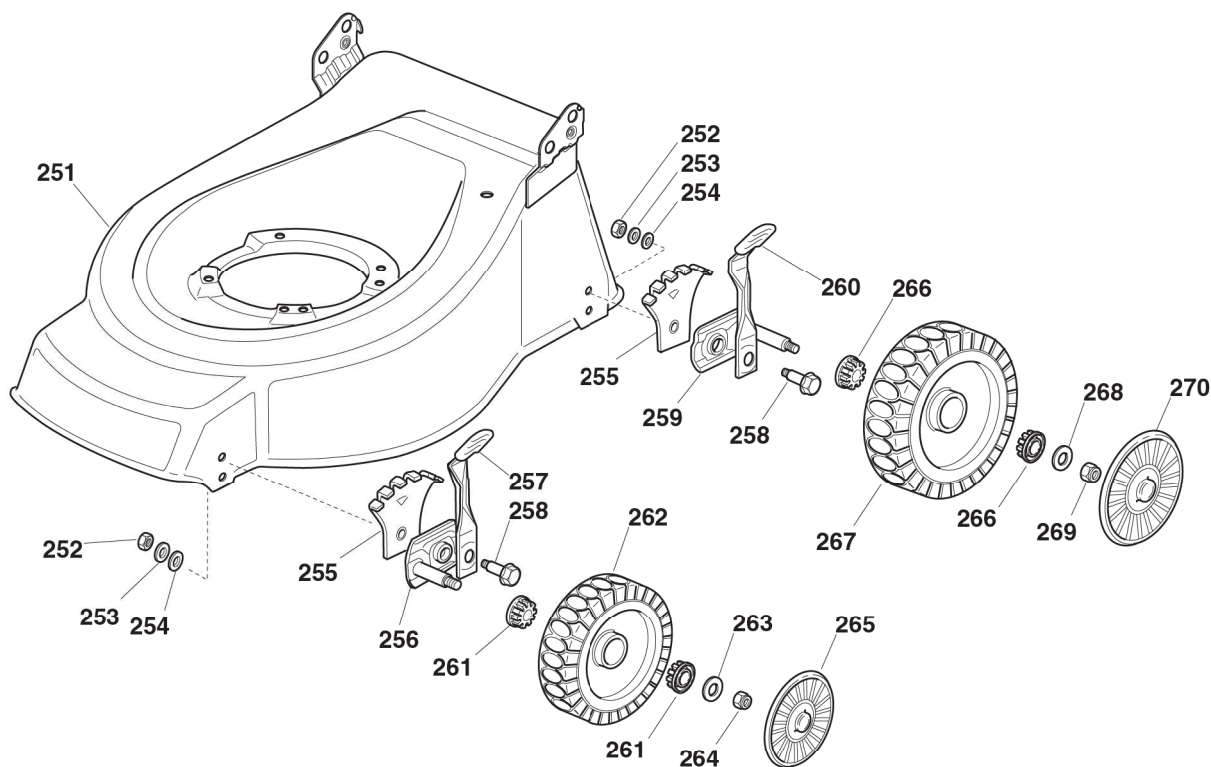


| POS. | CODE | Q.TY | DESCRIZIONE | DESCRIPTION | DESCRIPTION | BESCHREIBUNG | REMARKS |
|------|------------|------|------------------|---------------|-------------|---------------|---------|
| 231 | 22140223/0 | 1 | DEFLETTORE | DEFLECTOR | DEFLECTEUR | DEFLEKTOR | 480 |
| 232 | 22060198/0 | 1 | CARTER | PROTECTION | PROTECTION | SCHUTZ | 480 |
| 233 | 12728530/0 | 3 | VITE | SCREW | VIS | SCHRAUBE | 480 |
| 234 | 22291150/0 | 1 | INSERTO IN GOMMA | RUBBER INSERT | INSERT DE | GUMMI EINSATZ | 480 |

| | | | |
|------------|-------------|------------|--|
| TD | | TDL | |
| 430 | 430S | 480 | |

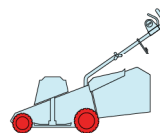


| |
|--------------|
| 2008 |
| 242.0 |
| 1 / 1 |

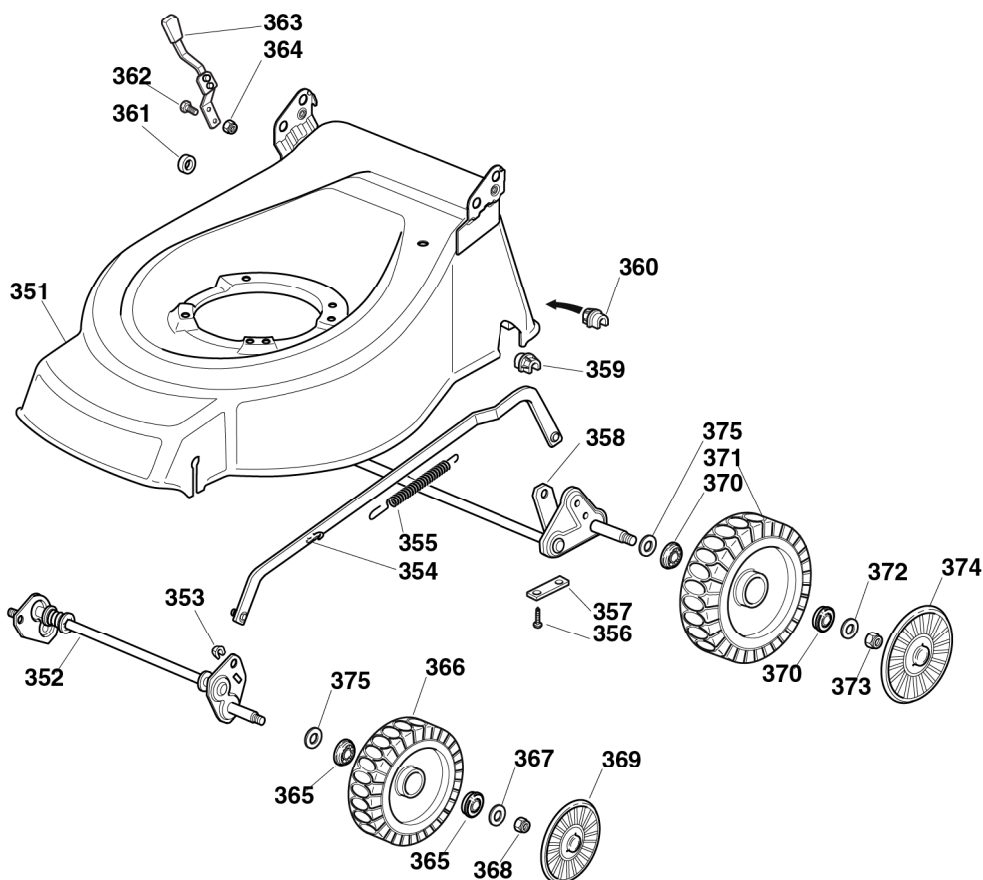


| POS. | CODE | Q.TY | DESCRIZIONE | DESCRIPTION | DESCRIPTION | BESCHREIBUNG | REMARKS |
|------|------------|------|-----------------------------|---------------------------|-------------------------|-------------------------|-------------------|
| 251 | 81001338/0 | 1 | CHASSIS ROSSO | DECK RED | CHÂSSIS ROUGE | GEHÄUSE ROT | 430 |
| - | 81001339/0 | 1 | CHASSIS ROSSO | DECK RED | CHÂSSIS ROUGE | GEHÄUSE ROT | 480 |
| - | 81002402/0 | 1 | CHASSIS ROSSO | DECK RED | CHÂSSIS ROUGE | GEHÄUSE ROT | 480 MULCHING |
| 252 | 12293200/0 | 4 | DADO | NUT | ECROU | MUTTER | |
| 253 | 12583500/0 | 4 | GROWER | GROWER | GROWER | FEDERRING | |
| 254 | 12523070/0 | 4 | ROSETTA | WASHER | RONDELLE | SCHEIBE | |
| 255 | 22735547/0 | 4 | SETTORE REGOLAZIONE ALTEZZA | SECTOR, HEIGHT ADJUSTMENT | SECTEUR REGLAGE HAUTEUR | SEKTOR, HÖHEVERSTELLUNG | |
| 256 | 81005082/0 | 2 | SUPPORTO RUOTA | SUPPORT, WHEEL | SUPPORT ROUE | HALTER, RAD | |
| 257 | 81003285/1 | 2 | LEVA REGOLAZIONE ALTEZZA | LEVER, HEIGHT ADJUSTMENT | LEVIER, REGLAGE HAUTEUR | HEBEL, HÖHEVERSTELLUNG | |
| 258 | 22519811/0 | 4 | PERNO | PIN | PIVOT | BOLZEN | |
| 259 | 81005084/0 | 2 | SUPPORTO RUOTA | SUPPORT, WHEEL | SUPPORT ROUE | HALTER, RAD | |
| 260 | 81003286/0 | 2 | LEVA REGOLAZIONE ALTEZZA | LEVER, HEIGHT ADJUSTMENT | LEVIER, REGLAGE HAUTEUR | HEBEL, HÖHEVERSTELLUNG | |
| 261 | 22034508/0 | 4 | BUSSOLA | BUSH | DOUILLE | BUCHSE | |
| 262 | 81007336/0 | 2 | RUOTA SCOLPITA Ø 170 | WHEEL, KNOBBLY Ø 170 | ROUE SCULPTEE Ø 170 | RAD M. STOLLENPR. Ø 170 | |
| 263 | 12523060/0 | 2 | ROSETTA | WASHER | RONDELLE | SCHEIBE | |
| 264 | 12155000/0 | 2 | DADO | NUT | ECROU | MUTTER | |
| 265 | - | 2 | COPRIMOZZO | HUB CAP | COUVRE-MOYEU | RADKAPPE | (SEE ENCLOSURE 1) |
| 266 | 22034508/0 | 4 | BUSSOLA | BUSH | DOUILLE | BUCHSE | |
| 267 | 81007337/0 | 2 | RUOTA SCOLPITA Ø 210 | WHEEL, KNOBBLY Ø 210 | ROUE SCULPTEE Ø 210 | RAD M. STOLLENPR. Ø 210 | |
| 268 | 12523060/0 | 2 | ROSETTA | WASHER | RONDELLE | SCHEIBE | |
| 269 | 12155000/0 | 2 | DADO | NUT | ECROU | MUTTER | |
| 270 | - | 2 | COPRIMOZZO | HUB CAP | COUVRE-MOYEU | RADKAPPE | (SEE ENCLOSURE 2) |

| | | | |
|-----|------|-----|--|
| TD | | TDL | |
| 430 | 430S | 480 | |



| |
|---------------|
| 2008 |
| 242a.0 |
| 1 / 2 |



| POS. | CODE | Q.TY | DESCRIZIONE | DESCRIPTION | DESCRIPTION | BESCHREIBUNG | REMARKS |
|------|------------|------|-----------------------------|--------------------------|-------------------------------|-------------------------|---------|
| 351 | 81001343/0 | 1 | CHASSIS ROSSO | DECK RED | CHÂSSIS ROUGE | GEHÄUSE ROT | 430 |
| - | 81001344/0 | 1 | CHASSIS ROSSO | DECK RED | CHÂSSIS ROUGE | GEHÄUSE ROT | 480 |
| 352 | 81001272/1 | 1 | ASSE RUOTE ANTERIORI | AXLE, FRONT WHEELS | AXE ROUES AVANT | ACHSE, VORDERRAD | 430 |
| - | 81001274/1 | 1 | ASSE RUOTE ANTERIORI | AXLE, FRONT WHEELS | AXE ROUES AVANT | ACHSE, VORDERRAD | 480 |
| 353 | 12436050/0 | 2 | PIASTRINA | PLATE | PLAQUETTE | PLÄTTCHEN | |
| 354 | 81001275/0 | 1 | ASTA COMANDO REGOL. ALTEZZA | ROD, HEIGHT ADJUSTMENT | TIGE COMMANDE REGLAGE HAUTEUR | STANGE, HÖHEVERSTELLUNG | 430 |
| - | 81001276/0 | 1 | ASTA COMANDO REGOL. ALTEZZA | ROD, HEIGHT ADJUSTMENT | TIGE COMMANDE REGLAGE HAUTEUR | STANGE, HÖHEVERSTELLUNG | 480 |
| 355 | 22446180/0 | 1 | MOLLA | SPRING | RESSORT | FEDER | |
| 356 | 12731350/0 | 4 | VITE | SCREW | VIS | SCHRAUBE | |
| 357 | 22545142/0 | 2 | PIASTRINA | PLATE | PLAQUETTE | PLATTE | |
| 358 | 81001278/0 | 1 | ASSE RUOTE POSTERIORI | AXLE, REAR WHEELS | AXE ROUES ARRIERE | ACHSE, HINTERRAD | |
| 359 | 22038403/0 | 1 | BRONZINA SX | L BUSH | DOUILLE G | LINKE BUCHSE | |
| 360 | 22038402/0 | 1 | BRONZINA DX | R BUSH | DOUILLE D | RECHTE BUCHSE | |
| 361 | 22170800/0 | 1 | DISTANZIALE | SPACER | ENTRETOISE | DISTANZRING | |
| 362 | 12789000/0 | 2 | VITE | SCREW | VIS | SCHRAUBE | |
| 363 | 81003283/1 | 1 | LEVA REGOLAZIONE ALTEZZA | LEVER, HEIGHT ADJUSTMENT | LEVIER, REGLAGE HAUTEUR | HEBEL, HÖHEVERSTELLUNG | |
| 364 | 12154320/0 | 2 | DADO | NUT | ECROU | MUTTER | |
| 365 | 22122200/0 | 4 | CUSCINETTO | BEARING | COUSSINET | LAGER | |
| 366 | 81007336/0 | 2 | RUOTA SCOLPITA Ø 170 | WHEEL, KNOBBLY Ø 170 | ROUE SCULPTEE Ø 170 | RAD M. STOLLENPR. Ø 170 | |
| 367 | 12521350/0 | 2 | ROSETTA | WASHER | RONDELLE | SCHEIBE | |
| 368 | 12155000/0 | 2 | DADO | NUT | ECROU | MUTTER | |

| POS. | CODE | Q.TY | DESCRIZIONE | DESCRIPTION | DESCRIPTION | BESCHREIBUNG | REMARKS |
|------|------------|------|----------------------|----------------------|---------------------|-------------------------|-------------------|
| 369 | | - 2 | COPRIMOZZO | HUB CAP | COUVRE-MOYEU | RADKAPPE | (SEE ENCLOSURE 1) |
| 370 | 22122200/0 | 4 | CUSCINETTO | BEARING | COUSSINET | LAGER | |
| 371 | 81007337/0 | 2 | RUOTA SCOLPITA Ø 210 | WHEEL, KNOBBLY Ø 210 | ROUE SCULPTEE Ø 210 | RAD M. STOLLENPR. Ø 210 | |
| 372 | 12521350/0 | 2 | ROSETTA | WASHER | RONDELLE | SCHEIBE | |
| 373 | 12155000/0 | 2 | DADO | NUT | ECROU | MUTTER | |
| 374 | | - 2 | COPRIMOZZO | HUB CAP | COUVRE-MOYEU | RADKAPPE | (SEE ENCLOSURE 2) |
| 375 | 12530150/0 | 4 | ROSETTA ELASTICA | ELASTIC WASHER | RONDELLE ELASTIQUE | ELASTISCHE SCHEIBE | |

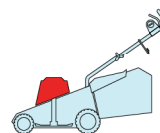
TD

TDL

430

430S

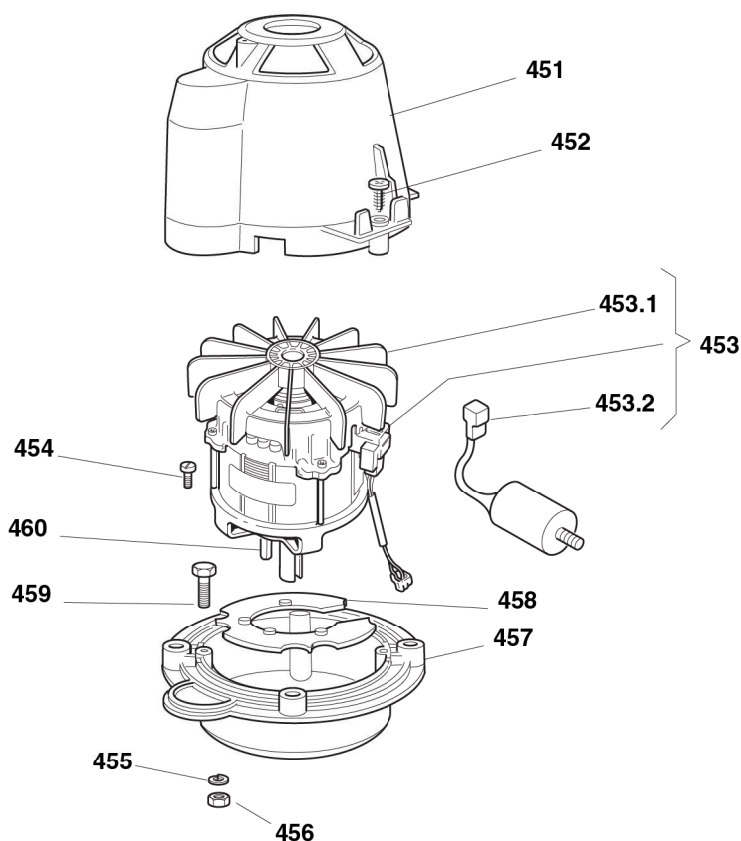
480



2008

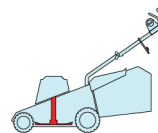
243.0

1 / 1

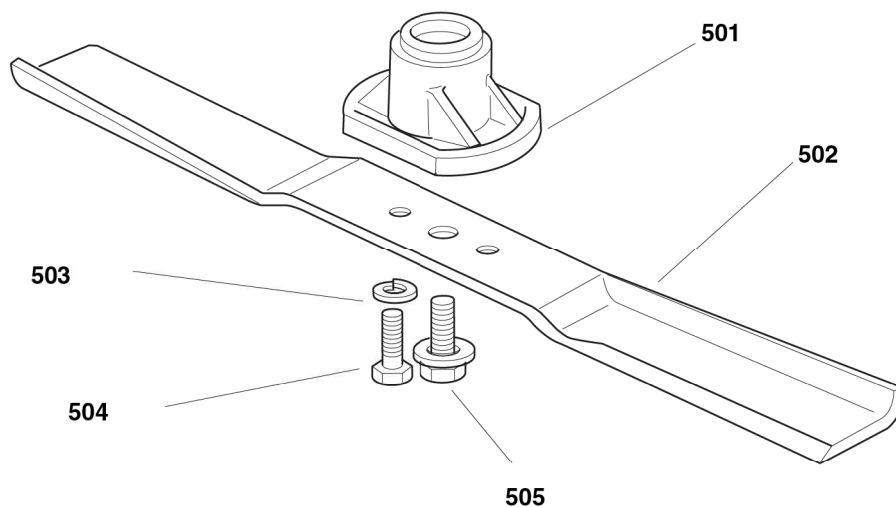


| POS. | CODE | Q.TY | DESCRIZIONE | DESCRIPTION | DESCRIPTION | BESCHREIBUNG | REMARKS |
|-------|-------------|------|------------------------|--------------------|------------------------|-------------------|---------------|
| 451 | 22785061/0 | 1 | SUPPORTO CAPOTTINA | SUPPORT, COVER | SUPPORT CAPOT | HALTER, HAUBE | |
| - | 22785210/0 | 1 | SUPPORTO CAPOTTINA | SUPPORT, COVER | SUPPORT CAPOT | HALTER, HAUBE | (1800W) |
| 452 | 12728710/0 | 4 | VITE | SCREW | VIS | SCHRAUBE | |
| 453 | 18563605/0 | 1 | MOTORE ATB | MOTOR ATB | MOTEUR ATB | MOTOR ATB | 230V (1600W) |
| - | 118563665/0 | 1 | MOTORE LEO | MOTOR LEO | MOTEUR LEO | MOTOR LEO | 230V (1600W) |
| - | 18563640/0 | 1 | MOTORE ATB | MOTOR ATB | MOTEUR ATB | MOTOR ATB | 230V (1800W) |
| - | 18563607/0 | 1 | MOTORE ATB | MOTOR ATB | MOTEUR ATB | MOTOR ATB | 240V (1600W) |
| 453,1 | 18740054/0 | 1 | VENTOLA PER MOTORE ATB | FAN MOTOR ATB | VENTILATEUR MOTEUR ATB | LÜFTER MOTOR ATB | |
| 453,2 | 18222045/0 | 1 | CONDENSATORE 16 µF | CONDENSER 16 µF | CONDENSEUR 16 µF | KONDENSATOR 16 µF | (ATB - 1600W) |
| - | 18222039/0 | 1 | CONDENSATORE 25 µF | CONDENSER 25 µF | CONDENSEUR 25 µF | KONDENSATOR 25 µF | (ATB - 1800W) |
| 454 | 12735410/0 | 4 | VITE | SCREW | VIS | SCHRAUBE | |
| 455 | 12583500/0 | 4 | GROWER | GROWER | GROWER | FEDERRING | |
| 456 | 12293200/0 | 4 | DADO | NUT | ECROU | MUTTER | |
| 457 | 322207211/4 | 1 | FLANGIA | FLANGE | BRIDE | FLANSCH | |
| - | 22207216/0 | 1 | FLANGIA | FLANGE | BRIDE | FLANSCH | 480 MULCHING |
| 458 | 322720360/2 | 1 | SCHERMO | VENTILATION SCREEN | ECRAN VENTILATION | LÜFTUNGSSCHIRM | |
| 459 | 12793700/0 | 4 | VITE | SCREW | VIS | SCHRAUBE | |
| 460 | 12139440/0 | 1 | LINGUETTA | FEATHER | CLAVETTE | KEIL | |

| | | | |
|------------|-------------|------------|--|
| TD | | TDL | |
| 430 | 430S | 480 | |

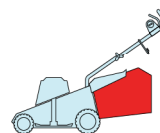


| |
|--------------|
| 2008 |
| 244.0 |
| 1 / 1 |

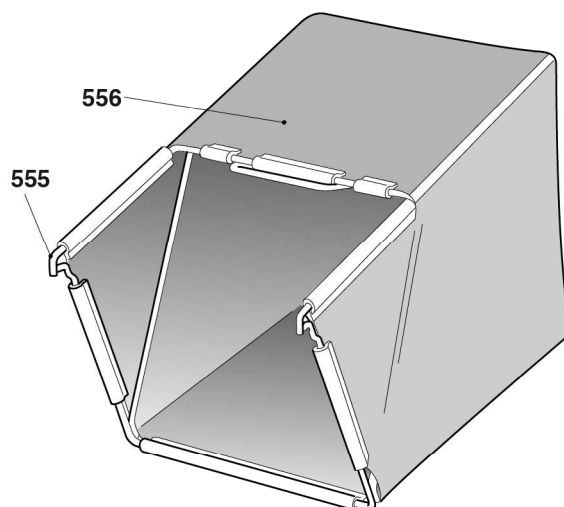
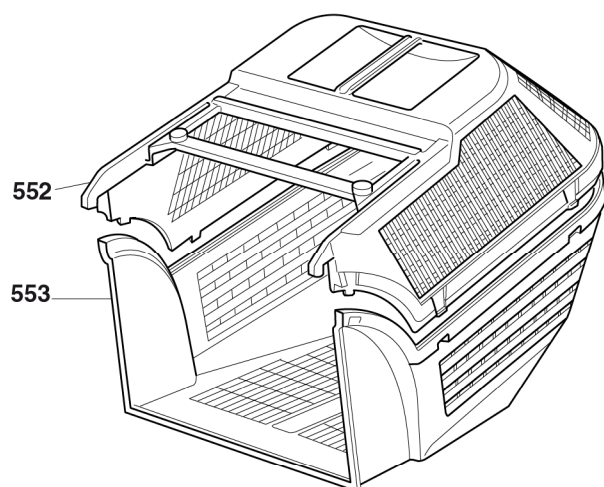


| POS. | CODE | Q.TY | DESCRIZIONE | DESCRIPTION | DESCRIPTION | BESCHREIBUNG | REMARKS |
|------|-------------|------|-------------------|----------------|---------------|-----------------|---------|
| 501 | 322463186/3 | 1 | MOZZO | HUB | MOYEU | HALTER | |
| 502 | 81004341/3 | 1 | COLTELLO STANDARD | BLADE STANDARD | LAME STANDARD | MESSER STANDARD | 430 |
| 502 | 81004396/0 | 1 | COLTELLO ALETTATO | BLADE WINGED | LAME AILETTÉE | MESSER FLÜGEL | 430 |
| 502 | 81004346/3 | 1 | COLTELLO STANDARD | BLADE STANDARD | LAME STANDARD | MESSER STANDARD | 480 |
| 502 | 81004397/0 | 1 | COLTELLO ALETTATO | BLADE WINGED | LAME AILETTÉE | MESSER FLÜGEL | 480 |
| 503 | 12583500/0 | 2 | GROWER | GROWER | GROWER | FEDERRING | |
| 504 | 12793101/0 | 2 | VITE | SCREW | VIS | SCHRAUBE | |
| 505 | 81004352/0 | 1 | VITE | SCREW | VIS | SCHRAUBE | |

| | | |
|------------|-------------|------------|
| TD | | TDL |
| 430 | 430S | 480 |

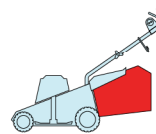


| |
|--------------|
| 2008 |
| 245.0 |
| 1 / 1 |

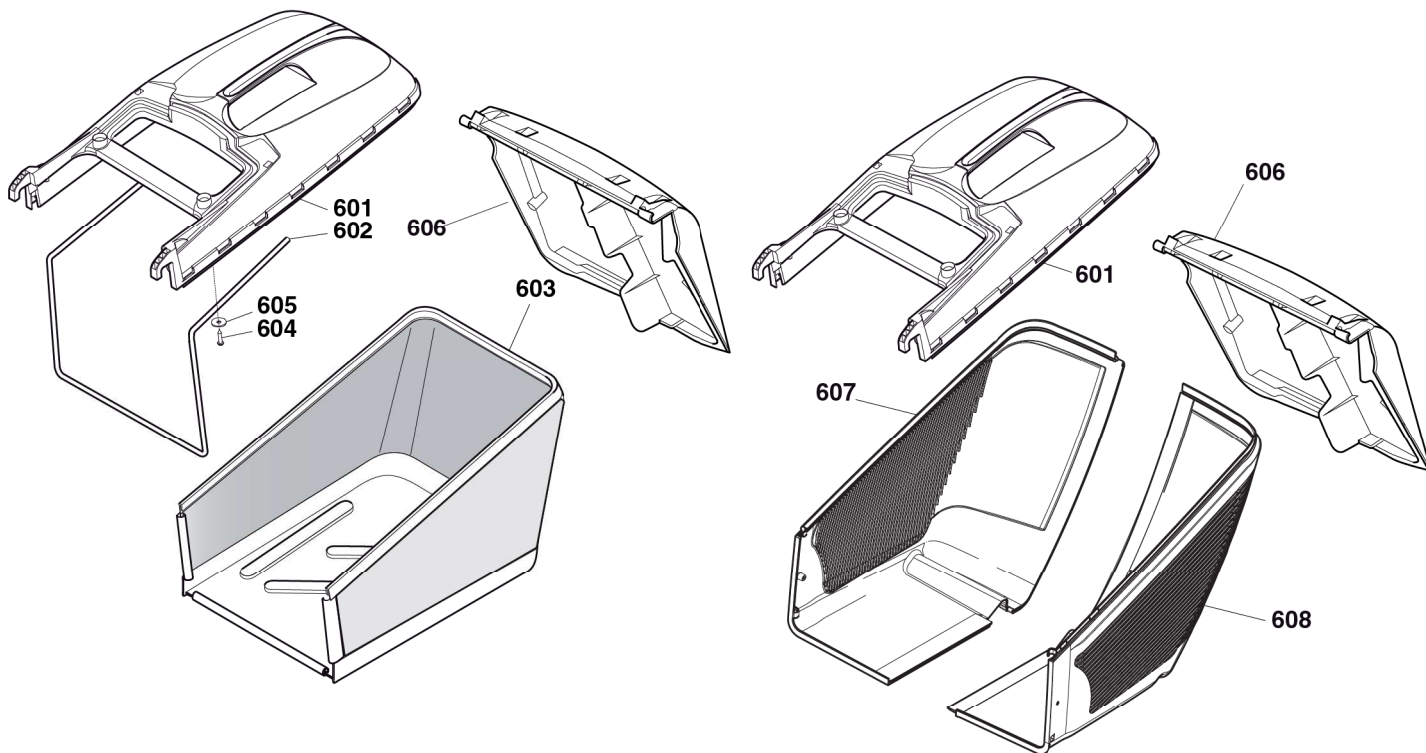


| POS. | CODE | Q.TY | DESCRIZIONE | DESCRIPTION | DESCRIPTION | BESCHREIBUNG | REMARKS |
|------|------------|------|------------------------------|-----------------------------|-----------------------------|-----------------|---------|
| 553 | 22486074/0 | 1 | SACCO, PARTE INF | GRASS-BOX, LOWER | SAC, PARTIE INFERIEURE | KORB, UNTERTEIL | |
| 554 | 94005000/0 | 1 | SACCO IN TELA, COM- PLTEO | GRASSCATCHER, COM- PLETE | SAC EN TOILE, COM- PLETE | SACK, KOMPLETTE | |
| 555 | 81006418/0 | 1 | TELAIO SACCO | CHASSIS BOX | CHÂSSIS BAC | RAHMEN SACK | |
| 556 | 81002105/2 | 1 | SACCO, TELA | BOX, FABRIC | SAC, TOILE | SACK, TUCK | |

| | | | |
|------------|-------------|------------|--|
| TD | | TDL | |
| 430 | 430S | 480 | |



| |
|---------------|
| 2008 |
| 245a.0 |
| 1 / 1 |



| POS. | CODE | Q.TY | DESCRIZIONE | DESCRIPTION | DESCRIPTION | BESCHREIBUNG | REMARKS |
|------|-------------|------|---------------------|--------------------|---------------------------|-------------------|---------|
| 601 | 22486101/0 | 1 | SACCO, PARTE SUP | GRASS-BOX, UPPER | SAC, PARTIE | KORB, OBERTEIL | |
| 602 | 22608525/0 | 1 | RINFORZO INF | STIFFENING LOWER | RÉNFORCEMENT INF | VERSTÄRKUNG | |
| 603 | 81002211/0 | 1 | SACCO, TELA | BOX, FABRIC | SAC, TOILE | SACK, TUCK | |
| 604 | 12728680/0 | 2 | VITE | SCREW | VIS | SCHRAUBE | |
| 605 | 12523050/0 | 2 | ROSETTA | WASHER | RONDELLE | SCHEIBE | |
| 606 | 22600063/1 | 1 | PARASASSI | STONE-GUARD | PARE-PIERRES | PRALLBLECH | |
| 607 | 322486150/1 | 1 | SACCO, PARTE INF DX | GRASS-BOX, R LOWER | SAC, PARTIE INFERIEU-RE D | KORB, R UNTERTEIL | |
| 608 | 322486151/1 | 1 | SACCO, PARTE INF SX | GRASS-BOX, L LOWER | SAC, PARTIE INFERIEU-RE G | KORB, L UNTERTEIL | |