

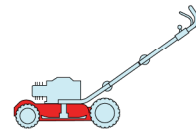
MCS 504

TR

TR/E

TR 4S

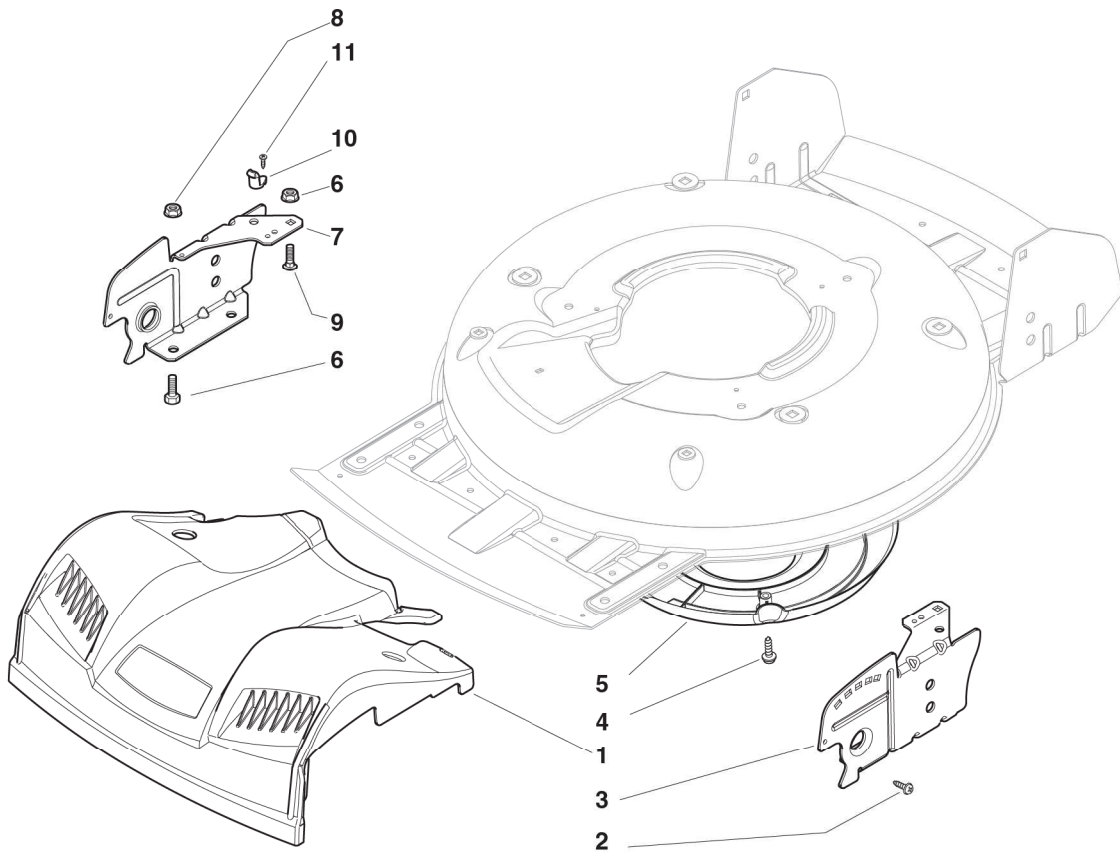
TR/E 4S



2008

931.0

1 / 1



POS.	CODE	Q.TY	DESCRIZIONE	DESCRIPTION	DESCRIPTION	BESCHREIBUNG	REMARKS
1	22226097/0	1	MASCHERINA, GIALLO	MASK, YELLOW	MESQUE, JAUNE	MASKE, GELB	
-	22226098/0	1	MASCHERINA, GRIGIO	MASK, GREY	MESQUE, GRIS	MASKE, GRAU	
2	12728450/0	2	VITE	SCREW	VIS	SCHRAUBE	
3	22778421/0	1	STAFFA SX	BRACKET, L	BRIDE G	PRATZE, LINKE	
4	12728530/0	3	VITE	SCREW	VIS	SCHRAUBE	
5	22060220/0	1	CARTER	PROTECTION	PROTECTION	SCHUTZ	
6	12792611/0	4	VITE	SCREW	VIS	SCHRAUBE	
-	12292102/0	2	DADO	NUT	ECROU	MUTTER	
7	22778419/0	1	STAFFA DX	BRACKET, R	BRIDE D	PRATZE, RECHTE	
8	12293201/0	4	DADO	NUT	ECROU	MUTTER	
9	12815200/0	2	VITE	SCREW	VIS	SCHRAUBE	
10	22020400/0	2	AGGANCI	FAIRLEAD	SUPPORT	HALTER	
11	12728523/0	2	VITE	SCREW	VIS	SCHRAUBE	

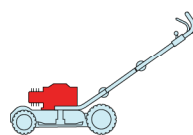
MCS 504

TR

TR/E

TR 4S

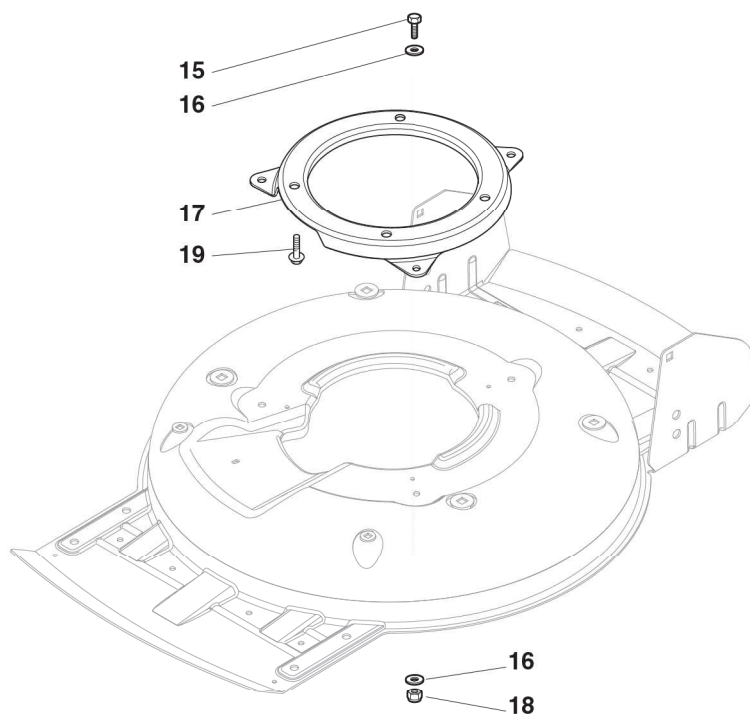
TR/E 4S



2008

931a.0

1 / 1



POS.	CODE	Q.TY	DESCRIZIONE	DESCRIPTION	DESCRIPTION	BESCHREIBUNG	REMARKS
15	12792611/0	3	VITE	SCREW	VIS	SCHRAUBE	
16	12523060/0	6	ROSETTA	WASHER	RONDELLE	SCHEIBE	(B&S 625/650/675 series - HONDA - GGP 160/200 cc)
17	322207219/1	1	FLANGIA	FLANGE	BRIDE	FLANSCH	(B&S 450/500 series - GGP 150 cc)
18	12293201/0	3	DADO	NUT	ECROU	MUTTER	
19	112735108/1	3	VITE	SCREW	VIS	SCHRAUBE	

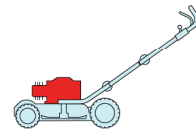
MCS 504

TR

TR/E

TR 4S

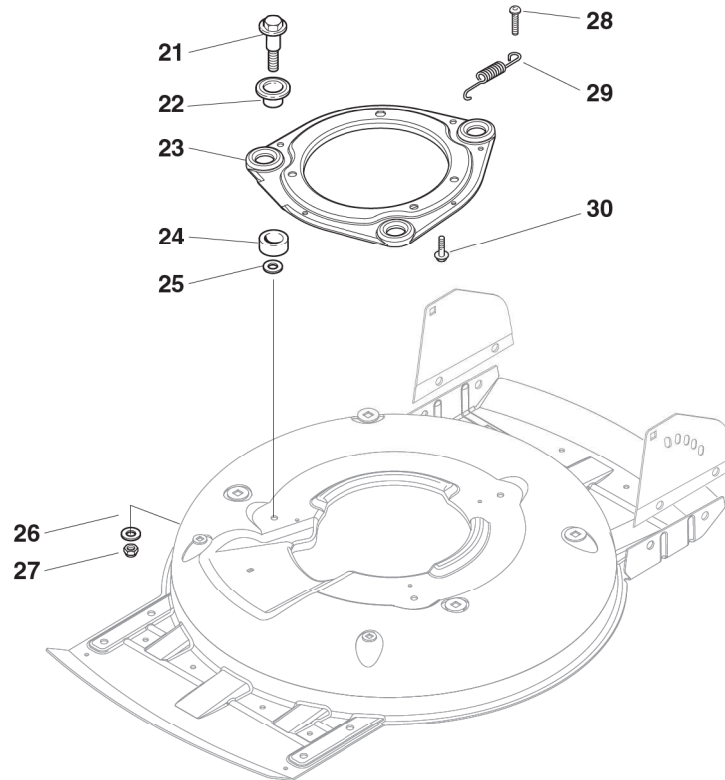
TR/E 4S



2008

931b.0

1 / 1



POS.	CODE	Q.TY	DESCRIZIONE	DESCRIPTION	DESCRIPTION	BESCHREIBUNG	REMARKS
21	22524329/0	3	PERNO	PIN	PIVOT	BOLZEN	
22	22672201/0	3	ROSETTA	WASHER	RONDELLE	SCHEIBE	
23	81207222/1	1	FLANGIA, NERO	FLANGE, BLACK	BRIDE, NOIR	FLANSCH, SCHWARZ	
-	81207221/1	1	FLANGIA, GIALLO	FLANGE, YELLOW	BRIDE, JAUNE	FLANSCH, GLEB	
24	22250012/0	3	GOMMINO	GROMMET	CAOUTCHOUC	GUMMI	
25	22672201/0	3	ROSETTA	WASHER	RONDELLE	SCHEIBE	
26	22671651/0	3	ROSETTA	WASHER	RONDELLE	SCHEIBE	
27	12155000/0	3	DADO	NUT	ECROU	MUTTER	
28	12791400/0	1	VITE	SCREW	VIS	SCHRAUBE	
29	22450444/0	1	MOLLA	SPRING	RESSORT	FEDER	
30	112735108/1	3	VITE	SCREW	VIS	SCHRAUBE	

MCS 504

2008

932.0

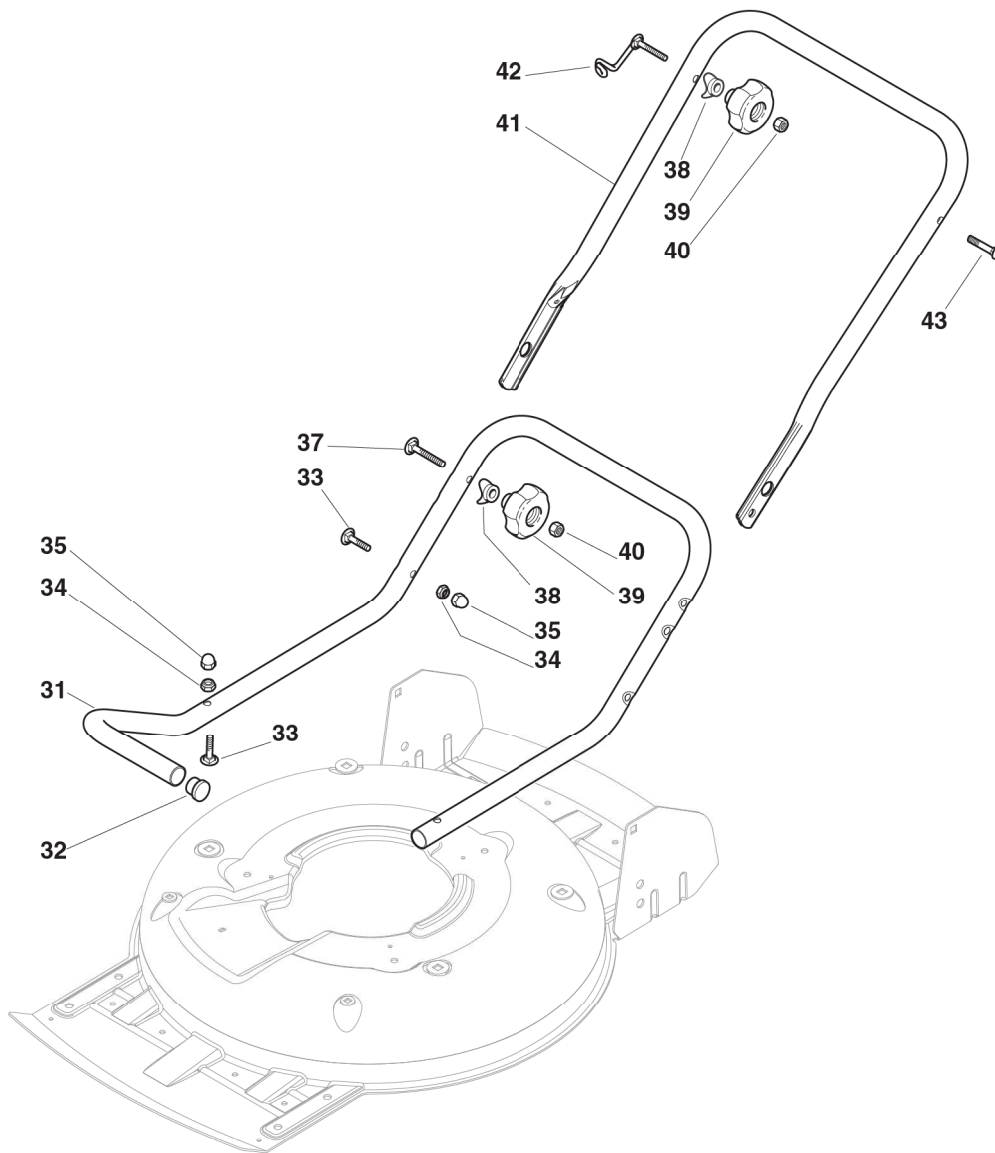
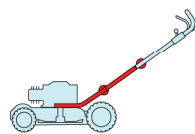
1 / 1

TR

TR/E

TR 4S

TR/E 4S



POS.	CODE	Q.TY	DESCRIZIONE	DESCRIPTION	DESCRIPTION	BESCHREIBUNG	REMARKS
31	81006667/0	1	MANICO, PARTE INF	HANDLE, LOWER PART	MANCHERON, PARTIE INFERIEURE	HOLM, UNTERTEIL	
32	18566110/0	2	PUNTALE	CAP	BOUCHON	GUMMISTOPFEN	
33	12818900/0	4	VITE	SCREW	VIS	SCHRAUBE	
34	12155000/0	4	DADO	NUT	ECROU	MUTTER	
35	18203854/0	4	CAPPUCCIO	PROTECTION	CAPUCHON	STECKER	
36	12818900/0	4	VITE	SCREW	VIS	SCHRAUBE	
37	12819201/0	2	VITE	SCREW	VIS	SCHRAUBE	
38	22680006/1	4	ROSETTA	WASHER	RONDELLE	SCHEIBE	
39	322399804/1	4	MANOPOLINA	KNOB	POIGNÉE	GRIFF	
40	12293200/0	4	DADO	NUT	ECROU	MUTTER	
41	81006668/0	1	MANICO, PARTE INTER-MEDIA	HANDLE, MIDDLE PART	MANCHERON	HOLM	
42	81003801/1	1	MOLLA GUIDA	SPRING	RESSORT	FEDER	
43	12819201/0	1	VITE	SCREW	VIS	SCHRAUBE	

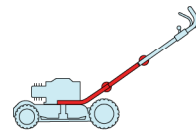
MCS 504

TR

TR/E

TR 4S

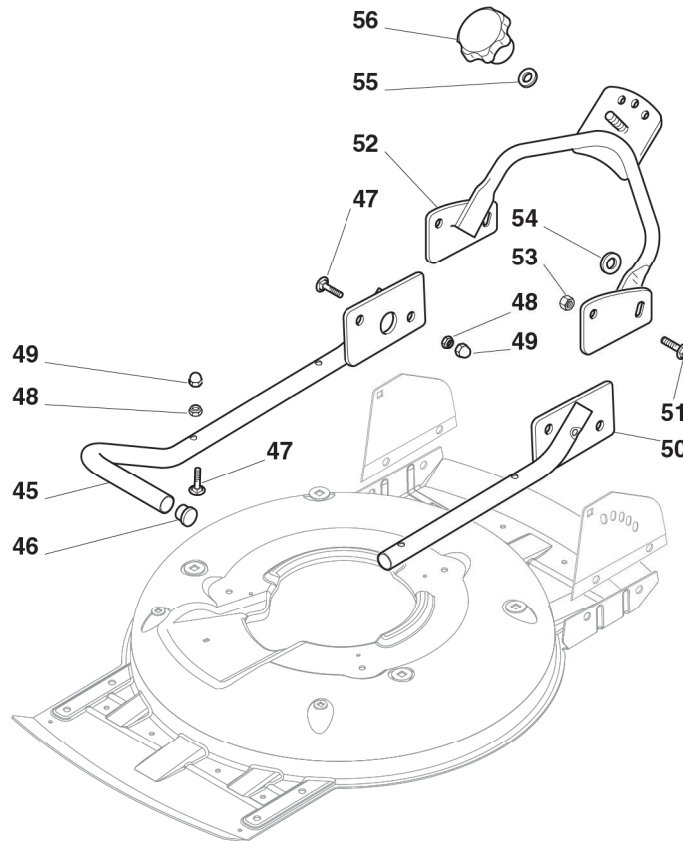
TR/E 4S



2008

932a.0

1 / 1



POS.	CODE	Q.TY	DESCRIZIONE	DESCRIPTION	DESCRIPTION	BESCHREIBUNG	REMARKS
46	18566114/0	4	PUNTALE	CAP	BOUCHON	GUMMISTOPFEN	
47	12819100/0	6	VITE	SCREW	VIS	SCHRAUBE	
45	81006373/0	1	MANICO, PARTE INF DX	RIGHT HANDLE, LOWER PART	MANCHERON, PARTIE INFERIEURE	HOLM, UNTERTEIL	
48	12155000/0	6	DADO	NUT	ECROU	MUTTER	
49	18203854/0	6	CAPPUCCIO	PROTECTION	CAPUCHON	STECKER	
50	81006375/0	1	MANICO, PARTE INF SX	LEFT HANDLE, LOWER PART	MANCHERON, PARTIE INFERIEURE	HOLM, UNTERTEIL	
52	81006361/0	1	MANICO, PARTE INTER-MEDIA	HANDLE, MIDDLE PART	MANCHERON	HOLM	
51	12793102/0	4	VITE	SCREW	VIS	SCHRAUBE	
53	12155000/0	4	DADO	NUT	ECROU	MUTTER	
55	12523080/0	1	ROSETTA	WASHER	RONDELLE	SCHEIBE	
56	22399813/0	1	MANOPOLINA	KNOB	POIGNÉE	GRIFF	
54	12523060/0	2	ROSETTA	WASHER	RONDELLE	SCHEIBE	

MCS 504

2008

933.0

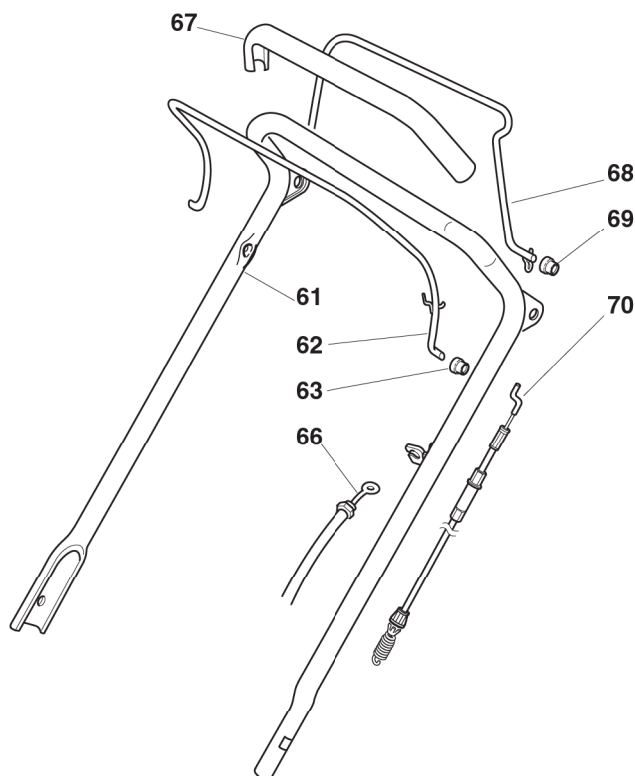
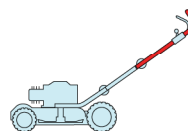
1 / 1

TR

TR/E

TR 4S

TR/E 4S



POS.	CODE	Q.TY	DESCRIZIONE	DESCRIPTION	DESCRIPTION	BESCHREIBUNG	REMARKS
61	81007024/0	1	MANICO, PARTE SUP	HANDLE, UPPER PART	MANCHERON, PARTIE SUPERIEURE	HOLM, OBERTEIL	
62	81003291/3	1	LEVA FRENO MOTORE	LEVER, ENGINE BRAKE	LEVIER FREIN MOTEUR	HEBEL, MOTORBREMSE	
63	22041966/0	2	BUSSOLA	BUSH	DOUILLE	BUCHSE	
66	81000615/0	1	CAVO FRENO MOTORE	CABLE, THREAD ENGINE BRAKE	CABLE FREIN MOTEUR	KABEL, MOTORBREMSE	(GGP 150cc)
-	81000631/0	1	CAVO FRENO MOTORE	CABLE, THREAD ENGINE BRAKE	CABLE FREIN MOTEUR	KABEL, MOTORBREMSE	(B&S 450-500 series)
-	81000631/0	1	CAVO FRENO MOTORE	CABLE, THREAD ENGINE BRAKE	CABLE FREIN MOTEUR	KABEL, MOTORBREMSE	(HONDA GCV 135/160/190)
-	81000634/0	1	CAVO FRENO MOTORE	CABLE, THREAD ENGINE BRAKE	CABLE FREIN MOTEUR	KABEL, MOTORBREMSE	(GGP 160cc)
-	81000642/1	1	CAVO FRENO MOTORE	CABLE, THREAD ENGINE BRAKE	CABLE FREIN MOTEUR	KABEL, MOTORBREMSE	(B&S 675 series)
-	81000633/0	1	CAVO FRENO MOTORE	CABLE, THREAD ENGINE BRAKE	CABLE FREIN MOTEUR	KABEL, MOTORBREMSE	TR/E (B&S 675 series ES)
67	22291050/0	1	IMPUGNATURA MANICO NERA	HANDGRIP BLACK	POIGNÉE NOIRE	HANDGRIFF SCHWARZ	
68	81003288/1	1	LEVA TRAZIONE	DRIVING LEVER	LEVIER TRACTION	ANTRIEBHEBEL	
69	22041965/1	2	BUSSOLA	BUSH	DOUILLE	BUCHSE	
70	81000734/1	1	CAVO COMANDO TRAZIONE	CABLE, REAR DRIVE	CÂBLE, COMMANDE TRACTION	KABEL, ANTRIEB	

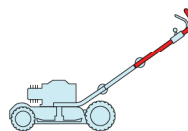
MCS 504

TR

TR/E

TR 4S

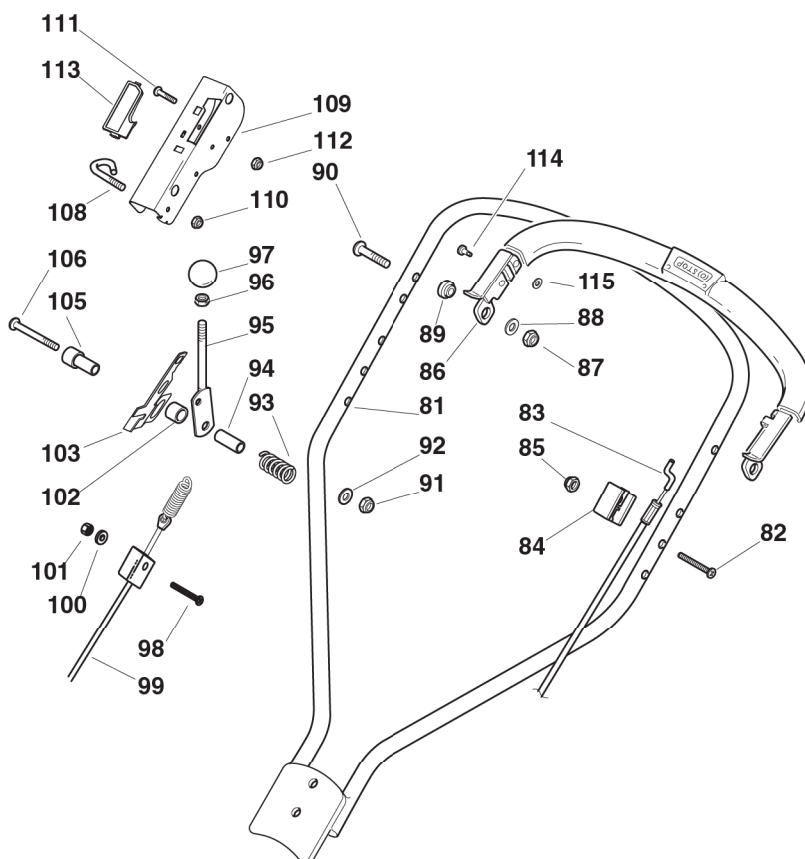
TR/E 4S



2008

933a.0

1 / 2



POS.	CODE	Q.TY	DESCRIZIONE	DESCRIPTION	DESCRIPTION	BESCHREIBUNG	REMARKS
81	81006363/1	1	MANICO, PARTE SUP	HANDLE, UPPER PART	MANCHERON, PARTIE SUPERIEURE	HOLM, OBERTEIL	
82	12727783/0	1	VITE	SCREW	VIS	SCHRAUBE	
83	181000769/1	1	CAVO FRENO MOTORE	CABLE, THREAD ENGINE BRAKE	CABLE FREIN MOTEUR	KABEL, MOTORBREMSE	(GGP 200cc)
-	81000618/0	1	CAVO FRENO MOTORE	CABLE, THREAD ENGINE BRAKE	CABLE FREIN MOTEUR	KABEL, MOTORBREMSE	(B&S 675 series)
-	81000618/0	1	CAVO FRENO MOTORE	CABLE, THREAD ENGINE BRAKE	CABLE FREIN MOTEUR	KABEL, MOTORBREMSE	(GGP 160cc)
-	81000730/0	1	CAVO FRENO MOTORE	CABLE, THREAD ENGINE BRAKE	CABLE FREIN MOTEUR	KABEL, MOTORBREMSE	(GGP 150cc)
-	81000733/0	1	CAVO FRENO MOTORE	CABLE, THREAD ENGINE BRAKE	CABLE FREIN MOTEUR	KABEL, MOTORBREMSE	(HONDA GCV 135/160/190)
-	81000730/0	1	CAVO FRENO MOTORE	CABLE, THREAD ENGINE BRAKE	CABLE FREIN MOTEUR	KABEL, MOTORBREMSE	TR/E (B&S 675 series ES)
84	22551640/0	1	PIASTRINA	PLATE	PLAQUETTE	PLÄTTCHEN	
85	12154510/0	1	DADO	NUT	ECROU	MUTTER	
86	81003318/1	1	LEVA FRENO MOTORE	LEVER, ENGINE BRAKE	LEVIER FREIN MOTEUR	HEBEL, MOTORBREMSE	
87	12154510/0	2	DADO	NUT	ECROU	MUTTER	
88	12521330/0	2	ROSETTA	WASHER	RONDELLE	SCHEIBE	
89	22671660/1	2	ROSETTA	WASHER	RONDELLE	SCHEIBE	
90	12727784/0	2	VITE	SCREW	VIS	SCHRAUBE	(SEE ENCLOSURE 1)
91	12292100/0	1	DADO	NUT	ECROU	MUTTER	
92	12530060/0	1	ROSETTA	WASHER	RONDELLE	SCHEIBE	
93	22450446/0	1	MOLLA	SPRING	RESSORT	FEDER	
94	22170840/0	1	DISTANZIALE	SPACER	ENTRETOISE	DISTANZRING	
95	81003313/0	1	LEVA TRAZIONE	LEVER, DRIVING	LEVIER TRACTION	HEBEL, ANTRIEB	(SEE ENCLOSURE 2)

POS.	CODE	Q.Q.TY	DESCRIZIONE	DESCRIPTION	DESCRIPTION	BESCHREIBUNG	REMARKS
96	12293200/0	1	DADO	NUT	ECROU	MUTTER	
97	22399812/0	1	MANOPOLINA	KNOB	POIGNÉE	GRIFF	
98	12727791/0	1	VITE	SCREW	VIS	SCHRAUBE	
99	81000745/0	1	CAVO COMANDO TRAZIONE	CABLE, REAR DRIVE	CÂBLE, COMMANDE TRACTION	KABEL, ANTRIEB	
100	12521330/0	1	ROSETTA	WASHER	RONDELLE	SCHEIBE	
101	12154510/0	1	DADO	NUT	ECROU	MUTTER	
102	22170843/0	1	DISTANZIALE	SPACER	ENTRETOISE	DISTANZRING	
103	22551653/0	1	PIASTRINA	PLATE	PLAQUETTE	PLATTE	
105	22170842/0	1	DISTANZIALE	SPACER	ENTRETOISE	DISTANZRING	
106	12727786/0	1	VITE	SCREW	VIS	SCHRAUBE	
108	22430314/0	1	MOLLA GUIDA	SPRING	RESSORT	FEDER	
109	81004405/0	1	CRUSCOTTO	DASH BOARD	CONSOLE	KONSOLE	
110	12154510/0	1	DADO	NUT	ECROU	MUTTER	
111	12727792/0	1	VITE	SCREW	VIS	SCHRAUBE	
112	12154510/0	1	DADO	NUT	ECROU	MUTTER	
113	22500050/0	1	PATTINO	SHOE	BLOC DE GLISSEMENT	GLEITBLOCK	
114	22524342/0	1	PERNO	PIN	PIVOT	BOLZEN	
115	12604897/0	1	ANELLO ELASTICO	SNAP RING	ANNEAU RESSORT	SPRENGRING	

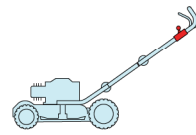
MCS 504

TR

TR/E

TR 4S

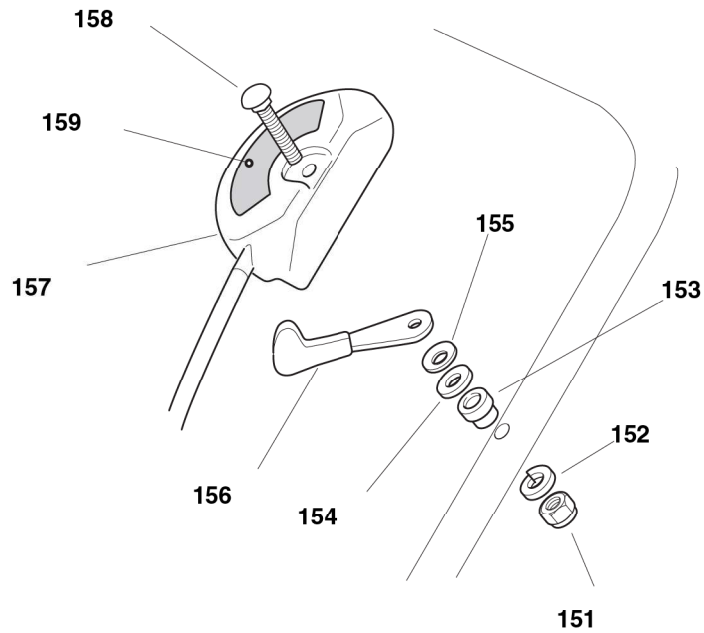
TR/E 4S



2008

933b.0

1 / 1



POS.	CODE	Q.TY	DESCRIZIONE	DESCRIPTION	DESCRIPTION	BESCHREIBUNG	REMARKS
151	12291000/0	1	DADO	NUT	ECROU	MUTTER	.
152	12581500/0	1	GROWER	GROWER	GROWER	FEDERRING	.
153	22171005/0	1	DISTANZIALE	SPACER	ENTRETOISE	DISTANZRING	.
154	12521360/0	1	ROSETTA	WASHER	RONDELLE	SCHEIBE	.
155	12508100/0	1	ROSETTA ELASTICA	SPRING WASHER	RONDELLE ELASTIQUE	ELASTISCHE SCHEIBE	.
156	81007279/1	1	LEVA, ACCELERATORE	LEVER, THROTTLE	LEVIER, ACCELERATEUR	HEBEL, BESHLEUNIGER	(B&S 625/650/675 series - HONDA - GGP 160/200 cc)
-	81007220/0	1	LEVA, ACCELERATORE	LEVER, THROTTLE	LEVIER, ACCELERATEUR	HEBEL, BESHLEUNIGER	(B&S 450/500 series - GGP 150 cc)
157	81007080/0	1	CAVO ACCELERATORE	THROTTLE CABLE	CABLE, ACCELERATEUR	GASHEBEL KABEL	.
158	12815000/0	1	VITE	SCREW	VIS	SCHRAUBE	.
159	14356703/0	1	ETICHETTA	LABEL	ETIQUETTE	ETIKETTE	(B&S)
-	14356702/0	1	ETICHETTA	LABEL	ETIQUETTE	ETIKETTE	(GGP ENGINE - HONDA)

MCS 504

2008

933c.0

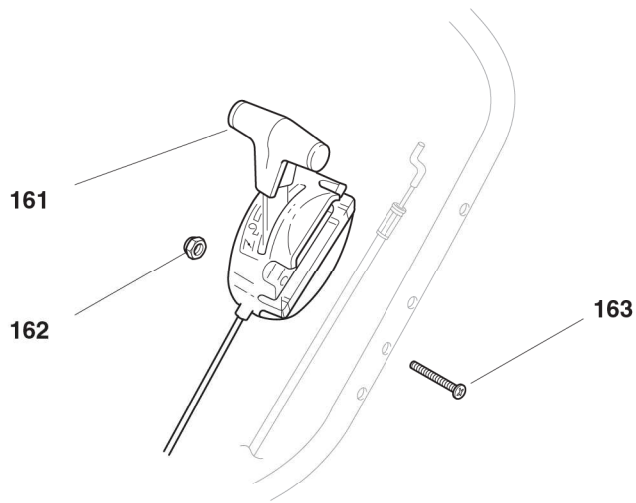
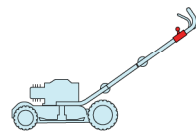
1 / 1

TR

TR/E

TR 4S

TR/E 4S



POS.	CODE	Q.TY	DESCRIZIONE	DESCRIPTION	DESCRIPTION	BESCHREIBUNG	REMARKS
161	81007130/0	1	CAVO ACCELERATORE	THROTTLE CABLE	CABLE, ACCELERATEUR	GASHEBEL KABEL	(HONDA)
162	12154510/0	1	DADO	NUT	ECROU	MUTTER	
163	12727786/0	1	VITE	SCREW	VIS	SCHRAUBE	

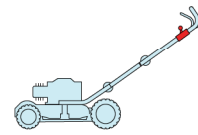
MCS 504

TR

TR/E

TR 4S

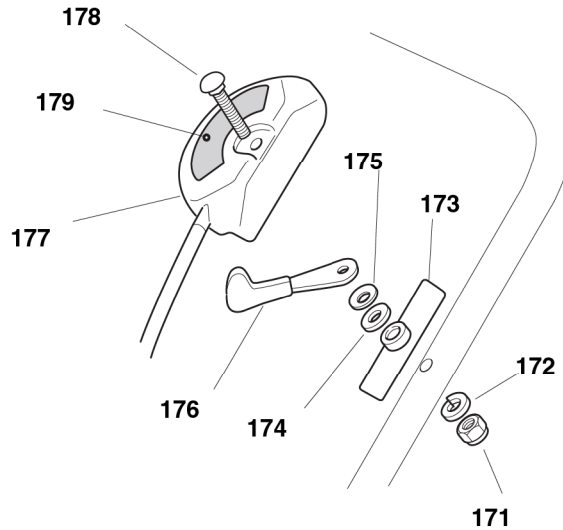
TR/E 4S



2008

933d.0

1 / 1



POS.	CODE	Q.TY	DESCRIZIONE	DESCRIPTION	DESCRIPTION	BESCHREIBUNG	REMARKS
171	12291000/0	1	DADO	NUT	ECROU	MUTTER	.
172	12581500/0	1	GROWER	GROWER	GROWER	FEDERRING	.
173	22171006/0	1	DISTANZIALE	SPACER	ENTRETOISE	DISTANZRING	.
174	12521360/0	1	ROSETTA	WASHER	RONDELLE	SCHEIBE	.
175	12508100/0	1	ROSETTA ELASTICA	SPRING WASHER	RONDELLE ELASTIQUE	ELASTISCHE SCHEIBE	.
176	81007279/1	1	LEVA, ACCELERATORE	LEVER, THROTTLE	LEVIER, ACCELERATEUR	HEBEL, BESHLEUNIGER	(B&S 625/650/675 series - HONDA - GGP 160/200 cc)
-	81007220/0	1	LEVA, ACCELERATORE	LEVER, THROTTLE	LEVIER, ACCELERATEUR	HEBEL, BESHLEUNIGER	(B&S 450/500 series - GGP 150 cc)
177	81007080/0	1	CAVO ACCELERATORE	THROTTLE CABLE	CABLE, ACCELERATEUR	GASHEBEL KABEL	.
178	12815030/0	1	VITE	SCREW	VIS	SCHRAUBE	.
179	14356703/0	1	ETICHETTA	LABEL	ETIQUETTE	ETIKETTE	(B&S)
-	14356702/0	1	ETICHETTA	LABEL	ETIQUETTE	ETIKETTE	(GGP ENGINE - HONDA)
-	14361404/0	1	ETICHETTA	LABEL	ETIQUETTE	ETIKETTE	(GGP ENGINE - AVS)

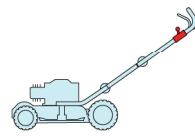
MCS 504

TR

TR/E

TR 4S

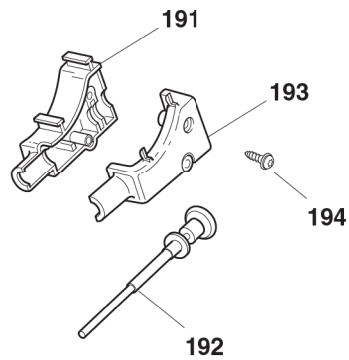
TR/E 4S



2008

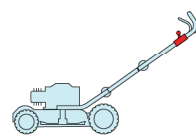
933e.0

1 / 1



POS.	CODE	Q.TY	DESCRIZIONE	DESCRIPTION	DESCRIPTION	BESCHREIBUNG	REMARKS
191	22722804/1	1	PROTEZIONE DX	R PROTECTION	PROTECTION D	RECHTE SCHUTZ	
192	81000742/0	1	COMANDO STARTER	STARTER DRIVE	COMMANDE STARTER	STARTER BETAETIGUNG	
193	22722805/1	1	PROTEZIONE SX	L PROTECTION	PROTECTION G	LINKE SCHUTZ	
194	12728300/0	1	VITE	SCREW	VIS	SCHRAUBE	

MCS 504



2008

933f.0

1 / 1

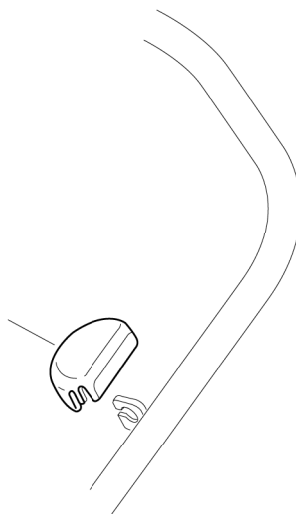
TR

TR/E

TR 4S

TR/E 4S

201



POS.	CODE	Q.TY	DESCRIZIONE	DESCRIPTION	DESCRIPTION	BESCHREIBUNG	REMARKS
201	22601000/0	1	PROTEZIONE	PROTECTION	PROTECTION	SCHUTZ	

MCS 504

2008

933g.0

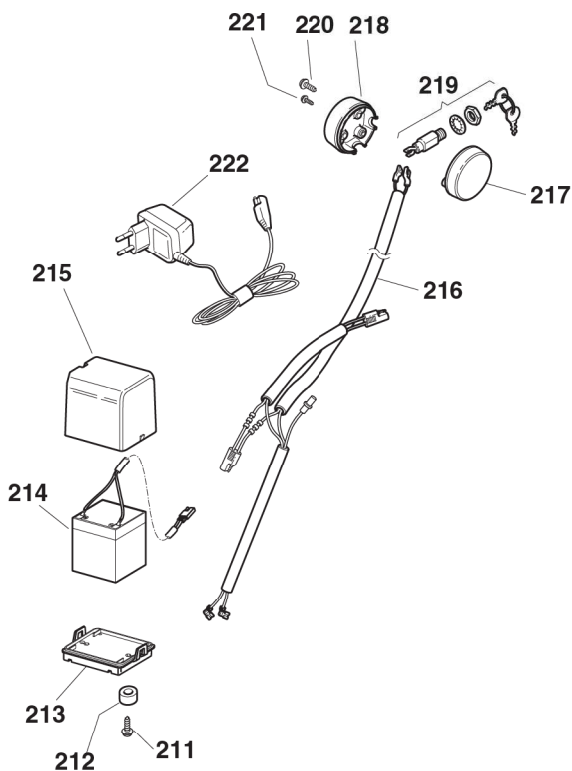
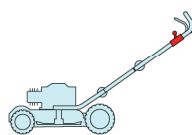
1 / 1

TR

TR/E

TR 4S

TR/E 4S



POS.	CODE	Q.TY	DESCRIZIONE	DESCRIPTION	DESCRIPTION	BESCHREIBUNG	REMARKS
211	12728702/0	2	VITE	SCREW	VIS	SCHRAUBE	
212	25160012/0	2	DISTANZIALE	SPACER	ENTRETOISE	DISTANZRING	
213	22785122/0	1	SUPPORTO BATTERIA	SUPPORT, BATTERY	SUPPORT BATTERIE	HALTER, BATTERIE	
214	18120052/0	1	BATTERIA	BATTERY	BATTERIE	BATTERIE	
215	22109530/0	1	COPERCHIO	COVER	COUVERCLE	DECKEL	
216	18204197/0	1	CAVO AVVIAMENTO	CABLE, START	CABLE DÉMARRAGE	KABEL, START	
217	22722801/0	1	PROTEZIONE SX	L PROTECTION	PROTECTION G	LINKE SCHUTZ	
218	22722800/0	1	PROTEZIONE DX	R PROTECTION	PROTECTION D	RECHTE SCHUTZ	
219	18450050/0	1	INTERRUTTORE	SWITCH	INTERRUPTEUR	SCHALTER	
220	12728300/0	2	VITE	SCREW	VIS	SCHRAUBE	
221	12728691/0	1	VITE	SCREW	VIS	SCHRAUBE	
222	18204120/0	1	CARICA BATTERIA	BATTERY CHARGER	CHARGEUR DE BATTERIE	LADGERÄT	
222	18204121/0	1	CARICA BATTERIA	BATTERY CHARGER	CHARGEUR DE	LADGERÄT	(UK)

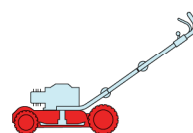
MCS 504

TR

TR/E

TR 4S

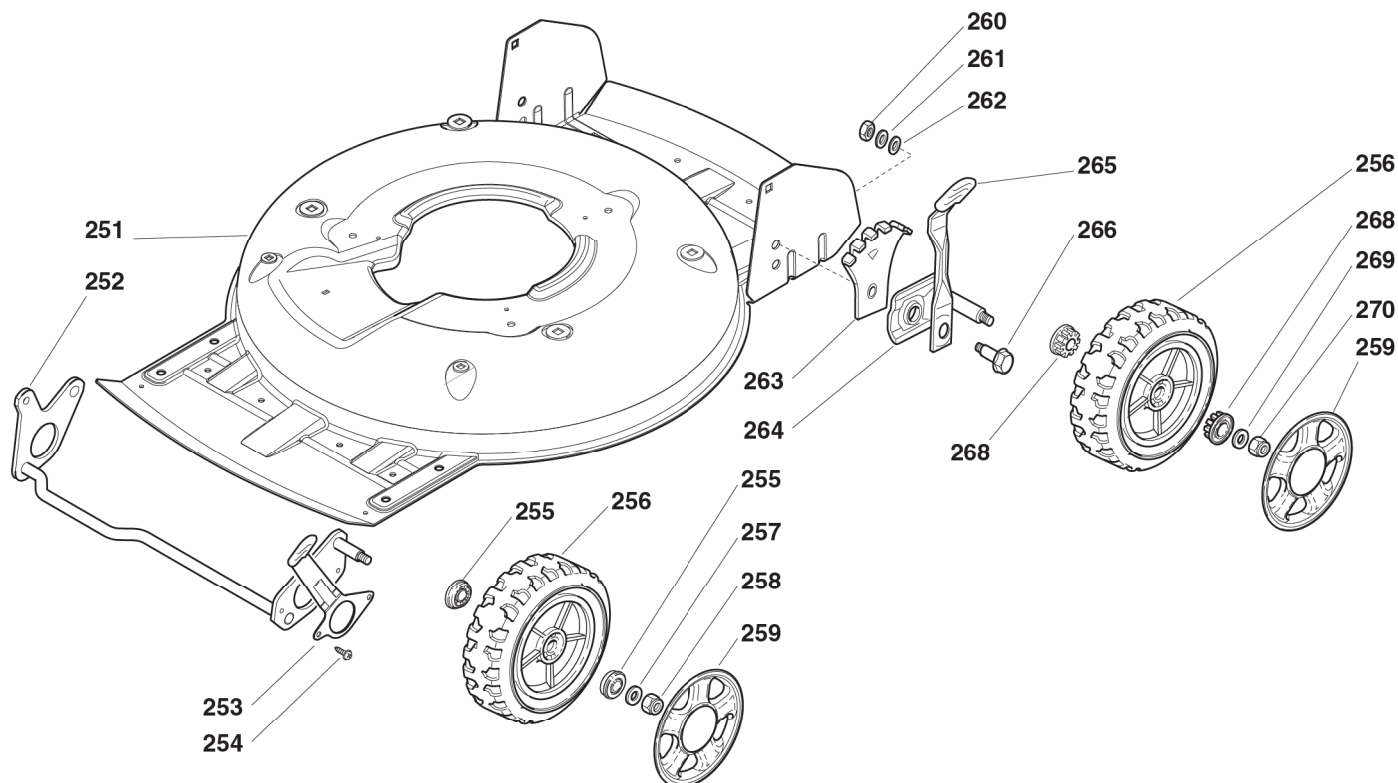
TR/E 4S



2008

934.0

1 / 1



POS.	CODE	Q.TY	DESCRIZIONE	DESCRIPTION	DESCRIPTION	BESCHREIBUNG	REMARKS
251	81002907/1	1	CHASSIS GIALLO	DECK YELLOW	CHÂSSIS JAUNE	GEHÄUSE GELB	
252	81002849/0	1	ASSE RUOTE POSTERIORE	AXLE, REAR WHEELS	AXE ROUES ARRIERE	ACHSE, HINTERRAD	
253	81003276/0	1	LEVA REGOLAZIONE ALTEZZA	LEVER, HEIGHT ADJUSTMENT	LEVIER, REGLAGE HAUTEUR	HEBEL, HÖHEVERSTELLUNG	
254	12735661/0	2	VITE	SCREW	VIS	SCHRAUBE	
255	22122200/0	4	CUSCINETTO	BEARING	COUSSINET	LAGER	
256	81007343/0	4	RUOTA Ø 210	WHEEL Ø 210	ROUE Ø 210	RAD Ø 210	
257	12369500/0	2	DISCO ELASTICO	ELASTIC WASHER	RONDELLE ELASTIQUE	ELASTISCHESCHEIBE	
258	12155000/0	2	DADO	NUT	ECROU	MUTTER	
259	-	4	COPRIMOZZO	HUB CAP	COUVRE-MOYEU	RADKAPPE	(SEE ENCLOSURE 2)
260	12293200/0	2	DADO	NUT	ECROU	MUTTER	
261	12583500/0	2	GROWER	GROWER	GROWER	FEDERRING	
262	12523070/0	2	ROSETTA	WASHER	RONDELLE	SCHEIBE	
263	22735547/0	2	SETTORE REGOLAZIONE ALTEZZA	SECTOR, HEIGHT ADJUSTMENT	SECTEUR REGLAGE HAUTEUR	SEKTOR, HÖHEVERSTELLUNG	
264	81005082/0	2	SUPPORTO RUOTA	SUPPORT, WHEEL	SUPPORT ROUE	HALTER, RAD	
265	81003286/0	2	LEVA REGOLAZIONE ALTEZZA	LEVER, HEIGHT ADJUSTMENT	LEVIER, REGLAGE HAUTEUR	HEBEL, HÖHEVERSTELLUNG	
266	22519811/0	2	PERNO	PIN	PIVOT	BOLZEN	
268	22034508/0	4	BUSSOLA	BUSH	DOUILLE	BUCHSE	(BI. CI. DI.)
269	12523060/0	2	ROSETTA	WASHER	RONDELLE	SCHEIBE	(GENERAL TRANSMISSION)
270	12155000/0	2	DADO	NUT	ECROU	MUTTER	

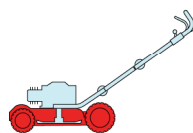
MCS 504

TR

TR/E

TR 4S

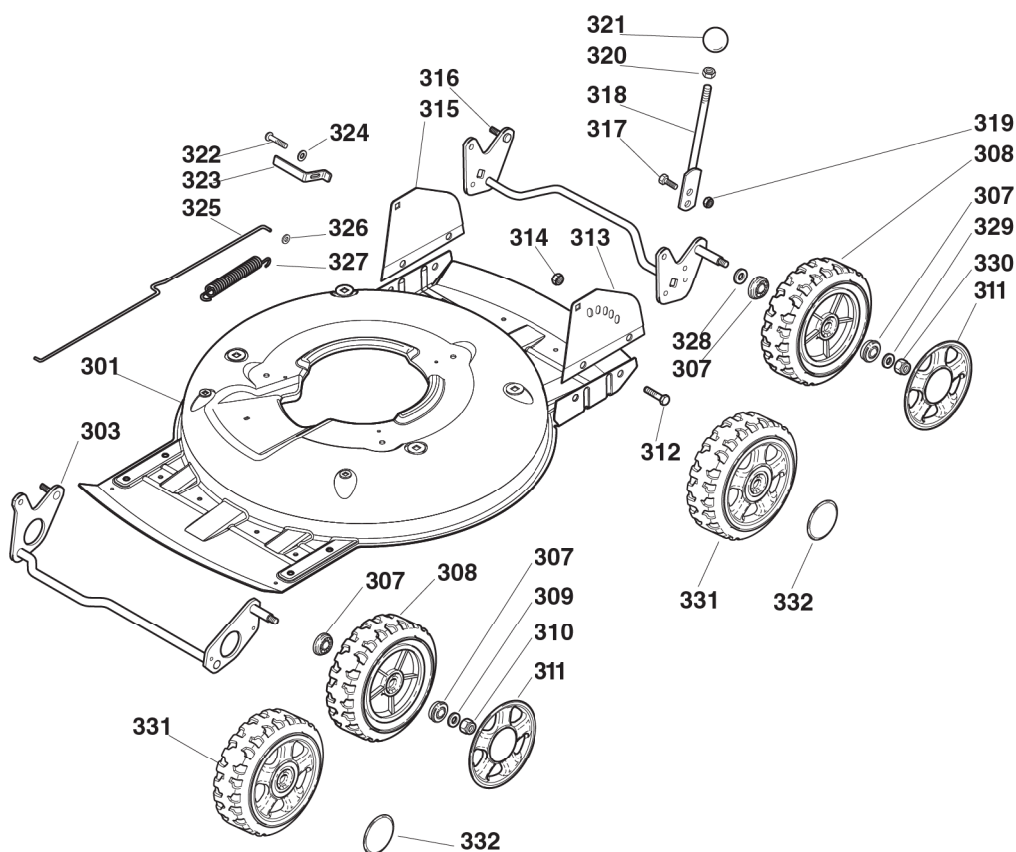
TR/E 4S



2008

934a.0

1 / 2



POS.	CODE	Q.TY	DESCRIZIONE	DESCRIPTION	DESCRIPTION	BESCHREIBUNG	REMARKS
301	81002909/1	1	CHASSIS GRIGIO	DECK GREY	CHÂSSIS GRIS	GEHÄUSE GRAU	
-	322064691/0	1	CHASSIS INOX	DECK INOX	CHÂSSIS INOX	GEHÄUSE INOX	
303	81002849/0	1	ASSE RUOTE ANTERIO- RE	AXLE, FRONT WHEELS	AXE ROUES AVANT	ACHSE, VORDERRAD	
307	22122200/0	8	CUSCINETTO	BEARING	COUSSINET	LAGER	
308	81007343/0	4	RUOTA Ø 210	WHEEL Ø 210	ROUE Ø 210	RAD Ø 210	
309	12369500/0	2	DISCO ELASTICO	ELASTIC WASHER	RONDELLE ELASTIQUE	ELASTISCHESCHEIBE	
310	12155000/0	2	DADO	NUT	ECROU	MUTTER	
311	-	4	COPRIMOZZO	HUB CAP	COUVRE-MOYEU	RADKAPPE	(SEE ENCLOSURE 2)
312	12791011/0	4	VITE	SCREW	VIS	SCHRAUBE	
313	322545169/0	1	PIASTRINA SINISTRA, INOX	LEFT PLATE, INOX	PLAQUETTE GAUCHE, INOX	PLÄTTCHEN LINKE, INOX	
-	81545105/0	1	PIASTRINA SINISTRA	LEFT PLATE	PLAQUETTE G	PLÄTTCHEN L	
314	12154510/0	4	DADO	NUT	ECROU	MUTTER	
315	81545104/0	1	PIASTRINA DESTRA	RIGHT PLATE	PLAQUETTE D	PLÄTTCHEN R	
-	322545167/0	1	PIASTRINA DESTRA, INOX	RIGHT PLATE, INOX	PLAQUETTE DROITE, INOX	PLÄTTCHEN RECHTE, INOX	
316	81002851/0	1	ASSE RUOTE POSTE- RIORE	AXLE, REAR WHEELS	AXE ROUES ARRIERE	ACHSE, HINTERRAD	
317	12789000/0	2	VITE	SCREW	VIS	SCHRAUBE	
318	81003323/0	1	LEVA REGOLAZIONE ALTEZZA	LEVER, HEIGHT ADJUSTMENT	LEVIER REGLAGE HAU- TEUR	HEBEL, HÖHNERSTEL- LUNG	
319	12154330/0	2	DADO	NUT	ECROU	MUTTER	
320	12293200/0	1	DADO	NUT	ECROU	MUTTER	
321	22399812/0	1	MANOPOLINA	KNOB	POIGNÉE	GRIFF	
322	12735661/0	2	VITE	SCREW	VIS	SCHRAUBE	

POS.	CODE	Q.TY	DESCRIZIONE	DESCRIPTION	DESCRIPTION	BESCHREIBUNG	REMARKS
323	22551529/0	2	PIASTRINA	PLATE	PLAQUETTE	PLÄTTCHEN	
324	12521330/0	2	ROSETTA	WASHER	RONDELLE	SCHEIBE	
325	22033329/0	1	ASTA COMANDO REGOL.	ROD, HEIGHT ADJUSTMENT CONTROL	TIGE COMMANDE RE- GLAGE HAUTEUR	STANGE, HÖHEVERSTEL- LUNG	
326	12604899/0	2	FISSATORE A CORONA	CROWN FASTENER	FIXATEUR A COURONNE	KRONESCHEIBE	
327	22446184/0	1	MOLLA	SPRING	RESSORT	FEDER	
328	12530150/0	2	ROSETTA	WASHER	RONDELLE	SCHEIBE	
329	12521350/0	2	ROSETTA	WASHER	RONDELLE	SCHEIBE	
330	12155000/0	2	DADO	NUT	ECROU	MUTTER	
331	81007382/0	4	RUOTA Ø 210	WHEEL Ø 210	ROUE Ø 210	RAD Ø 210	
332	22110419/0	4	COPRIMOZZO	HUB CAP	COUVRE-MOYEU	RADKAPPE	

MCS 504

2008

935.0

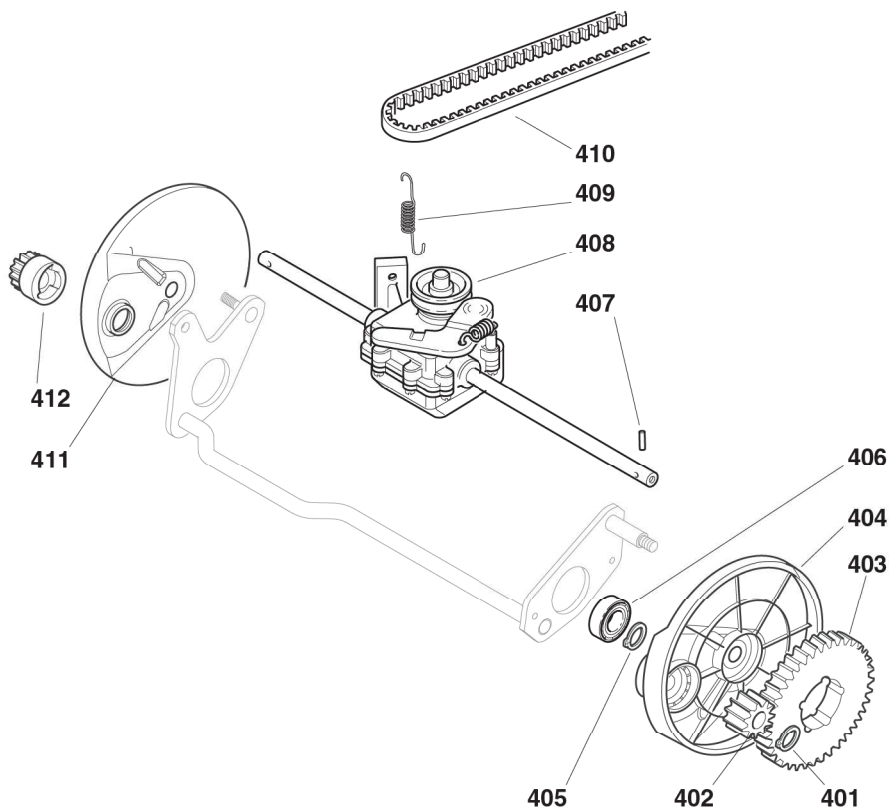
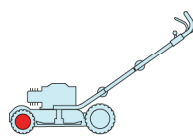
1 / 1

TR

TR/E

TR 4S

TR/E 4S



POS.	CODE	Q.TY	DESCRIZIONE	DESCRIPTION	DESCRIPTION	BESCHREIBUNG	REMARKS
401	12608600/0	2	SEEGER	SEEGER	SEEGER	SEEGER	
402	22570120/1	1	PIGNONE SX	PINION L	PIGNON G	RITZEL LINKES	
403	22120105/1	2	CORONA	RING GEAR	COURONNE	KRANZ	
404	22600092/0	1	PROT. RUOTE SX	PROTECTION, L WHEEL	PROTECTION ROUE G	SCHÜTZ, LINKES	
405	12608600/0	2	SEEGER	SEEGER	SEEGER	SEEGER	
406	19216035/0	2	CUSCINETTO	BEARING	COUSSINET	LAGER	
407	22753000/0	2	SPINA	PIN	GOUPILLE	STIFT	
408	81003095/0	1	GRUPPO TRAZIONE	GEAR BOX	GROUPE TRACTION	ANTRIEB	534
409	22450437/0	1	MOLLA	SPRING	RESSORT	FEDER	
410	35063902/0	1	CINGHIA Z 29.5	BELT Z 29.5	COURROIE Z 29.5	RIEMEN Z 29.5	
411	22600093/0	1	PROT. RUOTE DX	PROTECTION, R WHEEL	PROTECTION ROUE D	SCHÜTZ, RECHTES	
412	22570110/1	1	PIGNONE DX	PINION R	PIGNON D	RITZEL RECHTES	

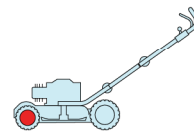
MCS 504

TR

TR/E

TR 4S

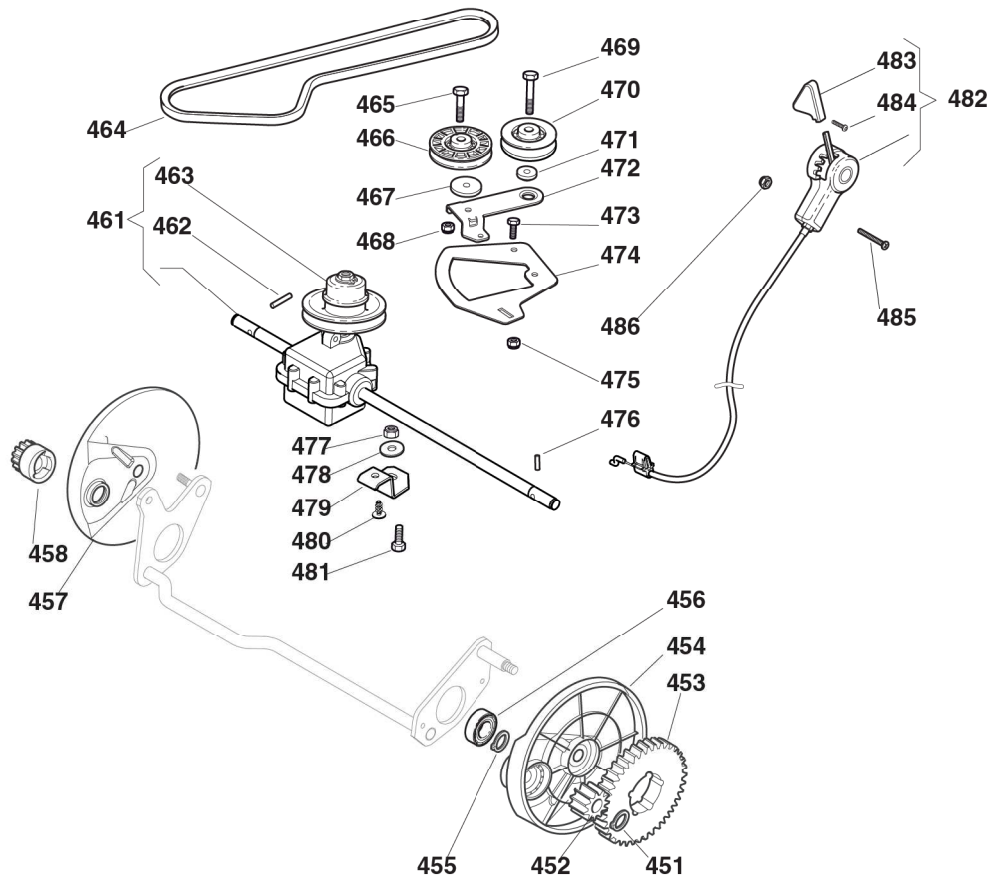
TR/E 4S



2008

935a.0

1 / 2



POS.	CODE	Q.TY	DESCRIZIONE	DESCRIPTION	DESCRIPTION	BESCHREIBUNG	REMARKS
451	12608600/0	2	SEEGER	SEEGER	SEEGER	SEEGER	
452	22570120/1	1	PIGNONE SX	PINION L	PIGNON G	RITZEL LINKES	
453	22120105/1	2	CORONA	RING GEAR	COURONNE	KRANZ	
454	22600092/0	1	PROT. RUOTE SX	PROTECTION, L WHEEL	PROTECTION ROUE G	SCHÜTZ, LINKES	
455	12608600/0	2	SEEGER	SEEGER	SEEGER	SEEGER	
456	19216035/0	2	CUSCINETTO	BEARING	COUSSINET	LAGER	
457	22600093/0	1	PROT. RUOTE DX	PROTECTION, R WHEEL	PROTECTION ROUE D	SCHÜTZ, RECHTES	
458	22570110/1	1	PIGNONE DX	PINION R	PIGNON D	RITZEL RECHTES	
461	81003098/0	1	GRUPPO TRAZIONE	GEAR BOX	GROUPE TRACTION	ANTRIEB	
462	12645700/0	1	SPINA	PIN	GOUPILLE	STIFT	
463	22601916/0	1	PULEGGIA	PULLEY	POULIE	RIEMENSCHLEIBE	
464	35064010/0	1	CINGHIA ZPX 812	BELT ZPX 812	COURROIE ZPX 812	RIEMEN ZPX 812	
465	12674701/0	1	VITE	SCREW	VIS	SCHRAUBE	
466	22601914/0	1	PULEGGIA	PULLEY	POULIE	RIEMENSCHLEIBE	
467	22680009/0	1	ROSETTA	WASHER	RONDELLE	SCHLEIFE	
468	12154510/0	1	DADO	NUT	ECROU	MUTTER	
469	12689500/0	1	VITE	SCREW	VIS	SCHRAUBE	
470	22601915/0	1	PULEGGIA	PULLEY	POULIE	RIEMENSCHLEIBE	
471	22671656/0	1	DISTANZIALE	SPACER	ENTRETOISE	DISTANZRING	
472	22320007/0	1	LEVA	LEVER	LEVIER	HEBEL	
473	12791011/0	1	VITE	SCREW	VIS	SCHRAUBE	
474	22806629/0	1	SUPPORTO	SUPPORT	SUPPORT	HALTER	
475	12154510/0	2	DADO	NUT	ECROU	MUTTER	

POS.	CODE	Q.Q.TY	DESCRIZIONE	DESCRIPTION	DESCRIPTION	BESCHREIBUNG	REMARKS
476	22753000/0	2	SPINA	PIN	GOUPILLE	STIFT	
477	12155000/0	1	DADO	NUT	ECROU	MUTTER	
478	12523060/0	1	ROSETTA	WASHER	RONDELLE	SCHEIBE	
479	22551655/0	1	SUPPORTO	SUPPORT	SUPPORT	HALTER	
480	12728704/0	1	VITE	SCREW	VIS	SCHRAUBE	
481	12793102/0	1	VITE	SCREW	VIS	SCHRAUBE	
482	81007112/0	1	CAVO COMANDO MARCE	CABLE, SPEED DRIVE CONTROL	CABLE, COMM. CHANGE-MENT VITESSE	KABEL, GÄNGESCHALTUN	
483	22399809/0	1	MANOPOLINA	KNOB	POIGNÉE	GRIFF	
484	12728300/0	1	VITE	SCREW	VIS	SCHRAUBE	
485	12727787/0	2	VITE	SCREW	VIS	SCHRAUBE	
486	12154510/0	2	DADO	NUT	ECROU	MUTTER	

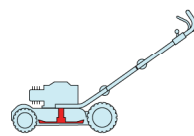
MCS 504

TR

TR/E

TR 4S

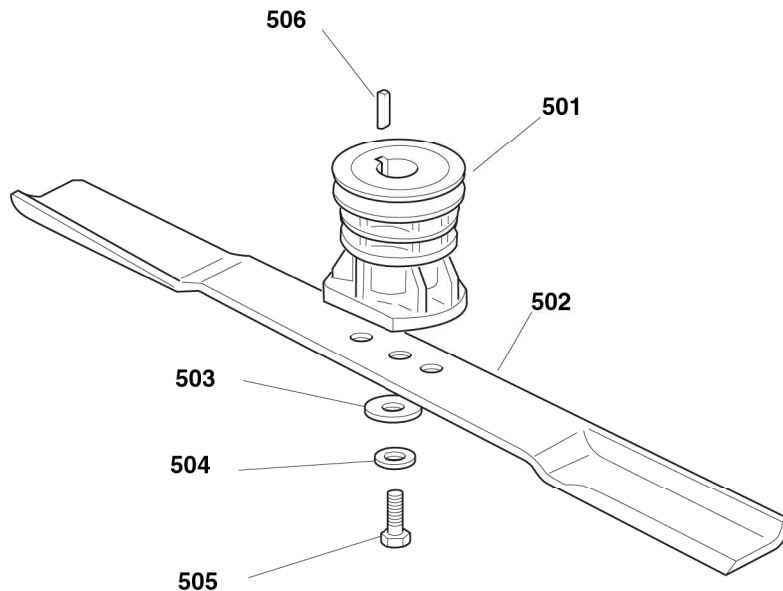
TR/E 4S



2008

936.0

1 / 1



POS.	CODE	Q.TY	DESCRIZIONE	DESCRIPTION	DESCRIPTION	BESCHREIBUNG	REMARKS
501	22465607/2	1	MOZZO CON PULEGGIA, ALBERO MOTORE Ø 22.2	HUB WITH PULLEY, CRANKSHAFT Ø 22.2	MOYEU AVEC POULIE, ARBRE MOTEUR Ø 22.2	NABE MIT SCHEIBE, MOTORWELLE Ø 22.2	
-	122465608/1	1	MOZZO CON PULEGGIA, ALBERO MOTORE Ø 25	HUB WITH PULLEY, CRANKSHAFT Ø 25	MOYEU AVEC POULIE, ARBRE MOTEUR Ø 25	NABE MIT SCHEIBE, MOTORWELLE Ø 25	
502	81004146/0	1	COLTELLO STANDARD	BLADE STANDARD	LAME STANDARD	MESSER STANDARD	
503	22160400/0	1	DISCO ELASTICO	ELASTIC WASHER	RONDELLE ELASTIQUE	ELASTISCHE SCHEIBE	
504	12523080/0	1	ROSETTA	WASHER	RONDELLE	SCHEIBE	
505	12735698/0	1	VITE	SCREW	VIS	SCHRAUBE	
506	12139100/0	1	LINGUETTA, ALBERO MOTORE Ø 22.2	FEATHER, CRANKSHAFT Ø 22.2	CLAVETTE, ARBRE MOTEUR Ø 22.2	KEIL, MOTORWELLE Ø 22.2	
-	12139150/0	1	LINGUETTA, ALBERO MOTORE Ø 25	FEATHER, CRANKSHAFT Ø 25	CLAVETTE, ARBRE MOTEUR Ø 25	KEIL, MOTORWELLE Ø 25	

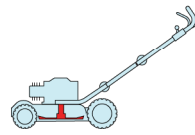
MCS 504

TR

TR/E

TR 4S

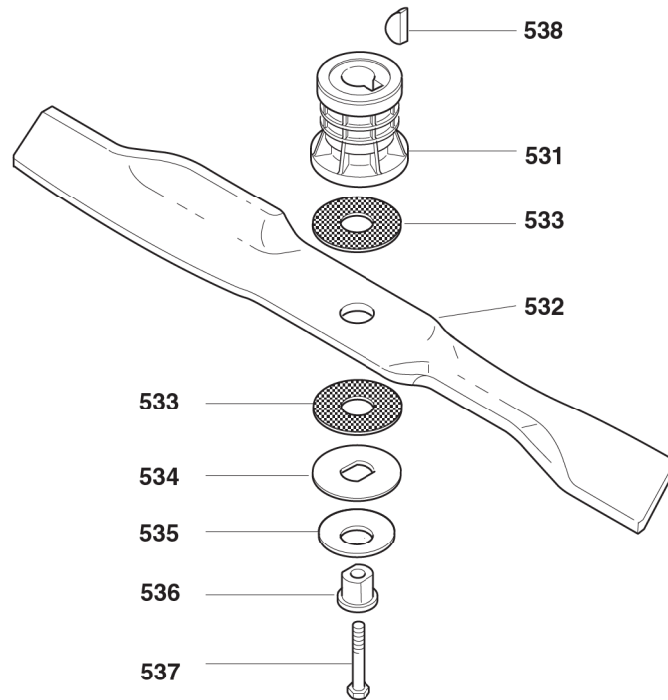
TR/E 4S



2008

936a.0

1 / 1



POS.	CODE	Q.TY	DESCRIZIONE	DESCRIPTION	DESCRIPTION	BESCHREIBUNG	REMARKS
531	22465611/0	1	MOZZO CON PULEGGIA, ALBERO MOTORE Ø 22.2	HUB WITH PULLEY, CRANKSHAFT Ø 22.2	MOYEU AVEC POULIE, ARBRE MOTEUR Ø 22.2	NABE MIT SCHEIBE, MOTORWELLE Ø 22.2	
-	122465612/1	1	MOZZO CON PULEGGIA, ALBERO MOTORE Ø 25	HUB WITH PULLEY, CRANKSHAFT Ø 25	MOYEU AVEC POULIE, ARBRE MOTEUR Ø 25	NABE MIT SCHEIBE, MOTORWELLE Ø 25	
532	81004146/0	1	COLTELLO ALETTATO	BLADE WINGED	LAME AILETTÉE	MESSER FLÜGEL	
533	22672110/1	2	RONDELLA FRIZIONE	CLUTCH WASHER	RONDELLE FRICTION	KUPPLUNGSCHEIBE	
534	22672105/0	1	ROSETTA	WASHER	RONDELLE	SCHEIBE	
535	12508120/0	1	MOLLA A TAZZA	CUPPED SPRING	RESSORT	TELLER FEDER	
536	22041940/0	1	BUSSOLA FRIZIONE	CLUTCH BUSH	DOUILLE FRICTION	KUPPLUNGSSCHEIBE	
537	12736850/0	1	VITE	SCREW	VIS	SCHRAUBE	
538	12139100/0	1	LINGUETTA, ALBERO MOTORE Ø 22.2	FEATHER, CRANKSHAFT Ø 22.2	CLAVETTE, ARBRE MOTEUR Ø 22.2	KEIL, MOTORWELLE Ø 22.2	
-	12139150/0	1	LINGUETTA, ALBERO MOTORE Ø 25	FEATHER, CRANKSHAFT Ø 25	CLAVETTE, ARBRE MOTEUR Ø 25	KEIL, MOTORWELLE Ø 25	