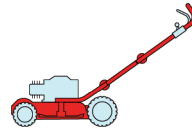


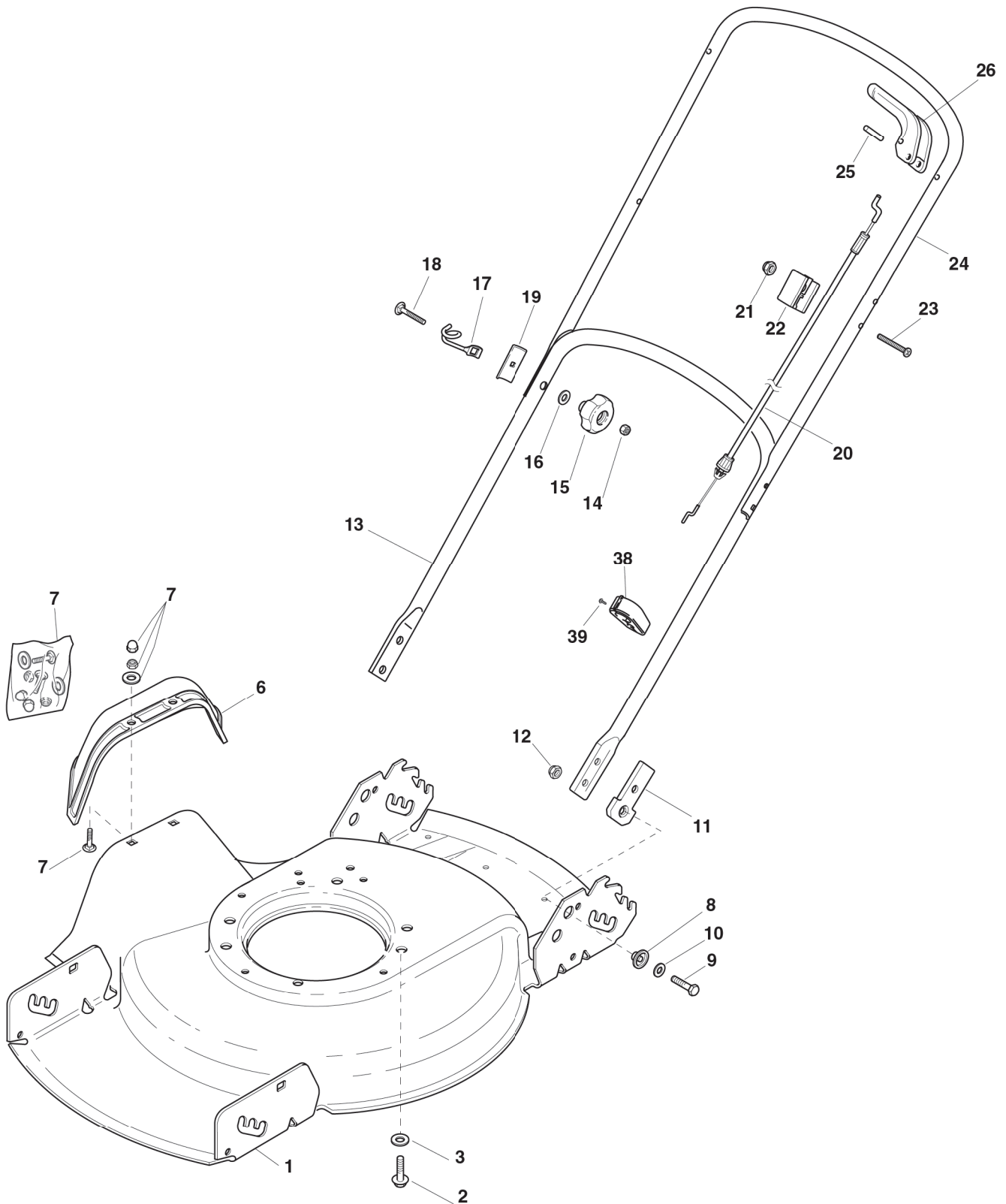
DI 474



2008

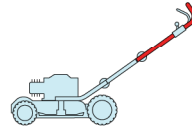
911.0

1 / 2

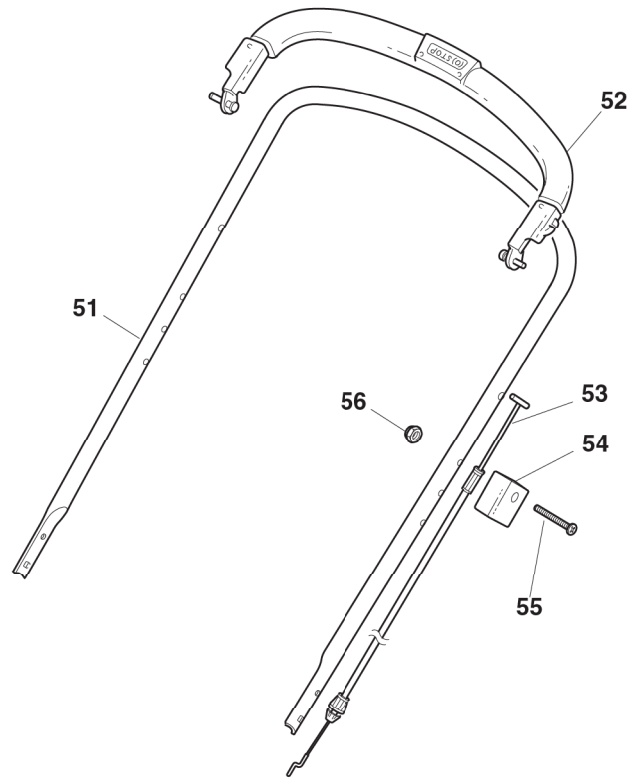


POS.	CODE	Q.TY	DESCRIZIONE	DESCRIPTION	DESCRIPTION	BESCHREIBUNG	REMARKS
1	81002984/0	1	CHASSIS GIALLO	DECK YELLOW	CHÂSSIS JAUNE	GEHÄUSE GELB	
2	112735108/1	3	VITE	SCREW	VIS	SCHRAUBE	
3	12521355/0	3	ROSETTA	WASHER	RONDELLE	SCHEIBE	
6	22600159/0	1	PROTEZIONE	PROTECTION	PROTECTION	SCHUTZ	
7	81008502/0	1	DOTAZIONE VITERIA	OUTFIT, SCREWS	DOTATION VISSERIE	SATZ, SCHRAUBEN	
8	22041958/0	4	BUSSOLA ISOLAMENTO	ISOLATION COMPASS	BOUSSOLE DE ISOLE- MENT	ABSONDERUNG KOMPAS	
9	12793701/0	4	VITE	SCREW	VIS	SCHRAUBE	
10	22671651/0	4	ROSETTA	WASHER	RONDELLE	SCHEIBE	
11	22551577/0	2	PIASTRINA ISOLAMENTO	PLATE	PLAQUETTE	PLATTE	
12	12155000/0	4	DADO	NUT	ECROU	MUTTER	
13	81006639/0	1	MANICO, PARTE INF	HANDLE, LOWER PART	MANCHERON, PARTIE INFERIEURE	HOLM, UNTERTEIL	
14	12361005/0	2	DADO	NUT	ECROU	MUTTER	
15	22399810/0	2	MANOPOLINA	KNOB	POIGNÉE	GRIFF	
16	12521350/0	2	ROSETTA	WASHER	RONDELLE	SCHEIBE	
17	22430311/0	1	MOLLA GUIDA	GUIDE SPRING	RESSORT DE GUIDE	FEDER FÜHRER	
18	12820655/0	2	VITE	SCREW	VIS	SCHRAUBE	
19	22545137/0	2	PIASTRINA FISSAGGIO MANICO	PLATE FOR HANDLE FASTENING	PLAQUETTE FIXAGE MANCHERON	PLATTE HOLMBEFESTI- GUNG	
20	81000705/0	1	CAVO FRENO MOTORE	CABLE, THREAD ENGINE BRAKE	CABLE FREIN MOTEUR	KABEL, MOTORBREMSE	(GGP 150cc)
-	181000762/0	1	CAVO FRENO MOTORE	CABLE, THREAD ENGINE BRAKE	CABLE FREIN MOTEUR	KABEL, MOTORBREMSE	(B&S 450-500 series)
-	181000762/0	1	CAVO FRENO MOTORE	CABLE, THREAD ENGINE BRAKE	CABLE FREIN MOTEUR	KABEL, MOTORBREMSE	(GGP 160cc)
21	12154510/0	1	DADO	NUT	ECROU	MUTTER	
22	22551640/0	1	PIASTRINA	PLATE	PLAQUETTE	PLÄTTCHEN	(GGP ENGINE)
23	12727783/0	1	VITE	SCREW	VIS	SCHRAUBE	
24	81006615/1	1	MANICO, PARTE SUP	HANDLE, UPPER PART	MANCHERON, PARTIE SUPERIEURE	HOLM, OBERTEIL	
25	12645710/0	1	SPINA	PIN	GOUPILLE	STIFT	
26	322321700/1	1	LEVA FRENO MOTORE	LEVER, ENGINE BRAKE	LEVIER FREIN MOTEUR	HEBEL, MOTORBREMSE	
38	22192001/0	1	FASCETTA ANCORAGGIO	ANCHOR CLAMP	COLLIER ANCRAGE	BOWDENZUGHALTER	
39	12728691/0	1	VITE	SCREW	VIS	SCHRAUBE	

DI 474

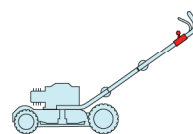


2008
911a.0
1 / 1

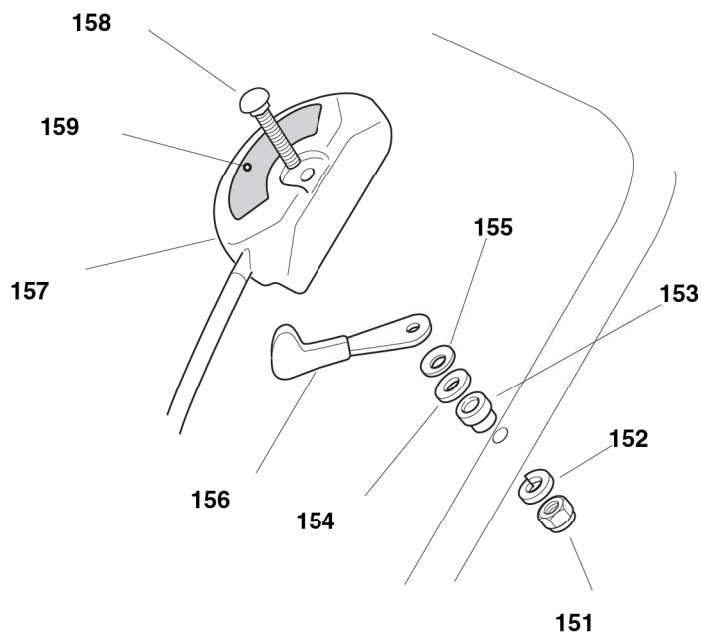


POS.	CODE	Q.TY	DESCRIZIONE	DESCRIPTION	DESCRIPTION	BESCHREIBUNG	REMARKS
51	81006618/1	1	MANICO, PARTE SUP	HANDLE, UPPER PART	MANCHERON, PARTIE SUPERIEURE	HOLM, OBERTEIL	
52	81003298/1	1	LEVA FRENO MOTORE	LEVER, ENGINE BRAKE	LEVIER FREIN MOTEUR	HEBEL, MOTORBREMSE	
53	81000685/0	1	CAVO FRENO MOTORE	CABLE, THREAD ENGINE BRAKE	CABLE FREIN MOTEUR	KABEL, MOTORBREMSE	(GGP 160cc)
-	81000686/0	1	CAVO FRENO MOTORE	CABLE, THREAD ENGINE BRAKE	CABLE FREIN MOTEUR	KABEL, MOTORBREMSE	(B&S 450-500 series)
-	81000688/0	1	CAVO FRENO MOTORE	CABLE, THREAD ENGINE BRAKE	CABLE FREIN MOTEUR	KABEL, MOTORBREMSE	(GGP 150cc)
54	22551640/0	1	PIASTRINA	PLATE	PLAQUETTE	PLÄTTCHEN	
55	12727783/0	1	VITE	SCREW	VIS	SCHRAUBE	
56	12154510/0	1	DADO	NUT	ECROU	MUTTER	

DI 474

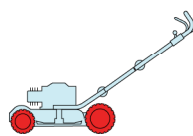


2008
911b.0
1 / 1



POS.	CODE	Q.TY	DESCRIZIONE	DESCRIPTION	DESCRIPTION	BESCHREIBUNG	REMARKS
151	12291000/0	1	DADO	NUT	ECROU	MUTTER	.
152	12581500/0	1	GROWER	GROWER	GROWER	FEDERRING	.
153	22171005/0	1	DISTANZIALE	SPACER	ENTRETOISE	DISTANZRING	.
154	12521360/0	1	ROSETTA	WASHER	RONDELLE	SCHEIBE	.
155	12508100/0	1	ROSETTA ELASTICA	SPRING WASHER	RONDELLE ELASTIQUE	ELASTISCHE SCHEIBE	.
156	81007220/0	1	LEVA, ACCELERATORE	LEVER, THROTTLE	LEVIER, ACCELERATEUR	HEBEL, BESHLEUNIGER	.
157	81007080/0	1	CAVO ACCELERATORE	THROTTLE CABLE	CABLE, ACCELERATEUR	GASHEBEL KABEL	.
158	12815000/0	1	VITE	SCREW	VIS	SCHRAUBE	.
159	14356703/0	1	ETICHETTA	LABEL	ETIQUETTE	ETIKETTE	(B&S)
-	14356702/0	1	ETICHETTA	LABEL	ETIQUETTE	ETIKETTE	(GGP ENGINE)

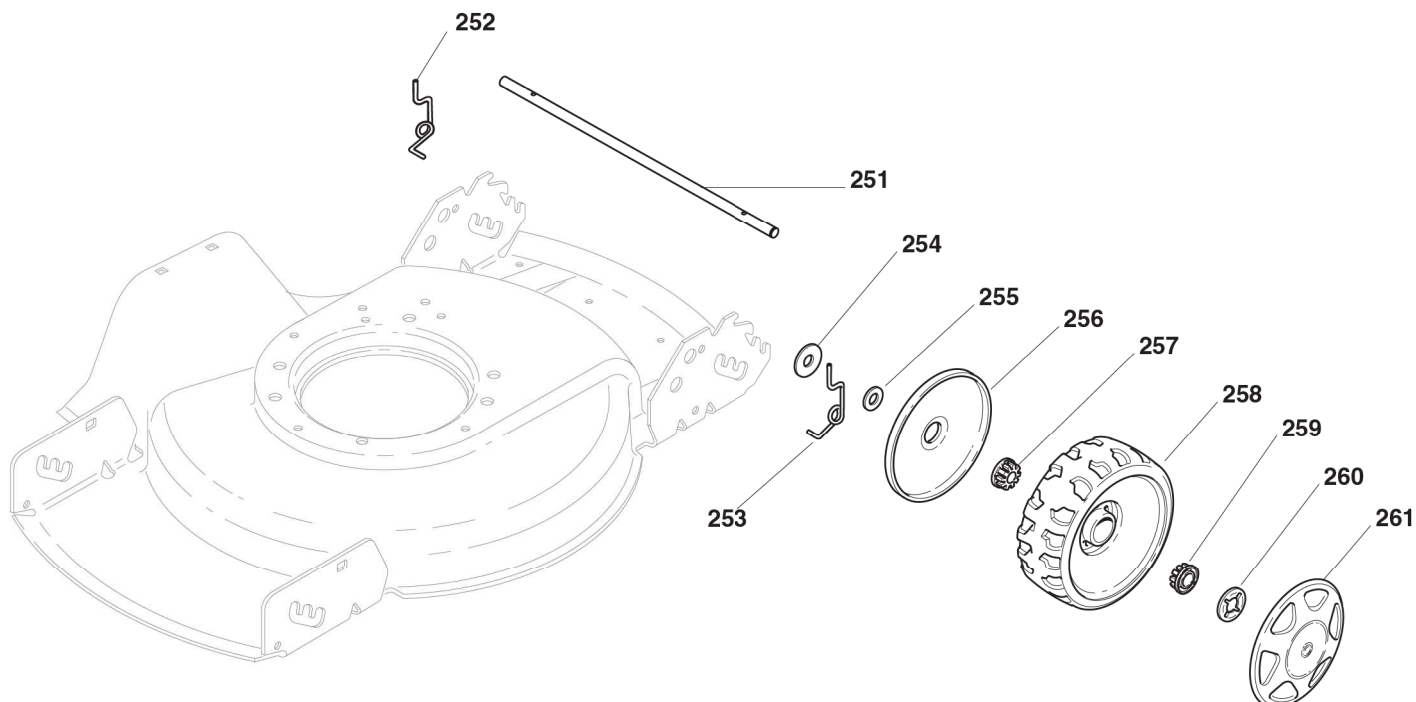
DI 474



2008

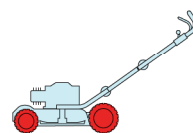
912.0

1 / 1

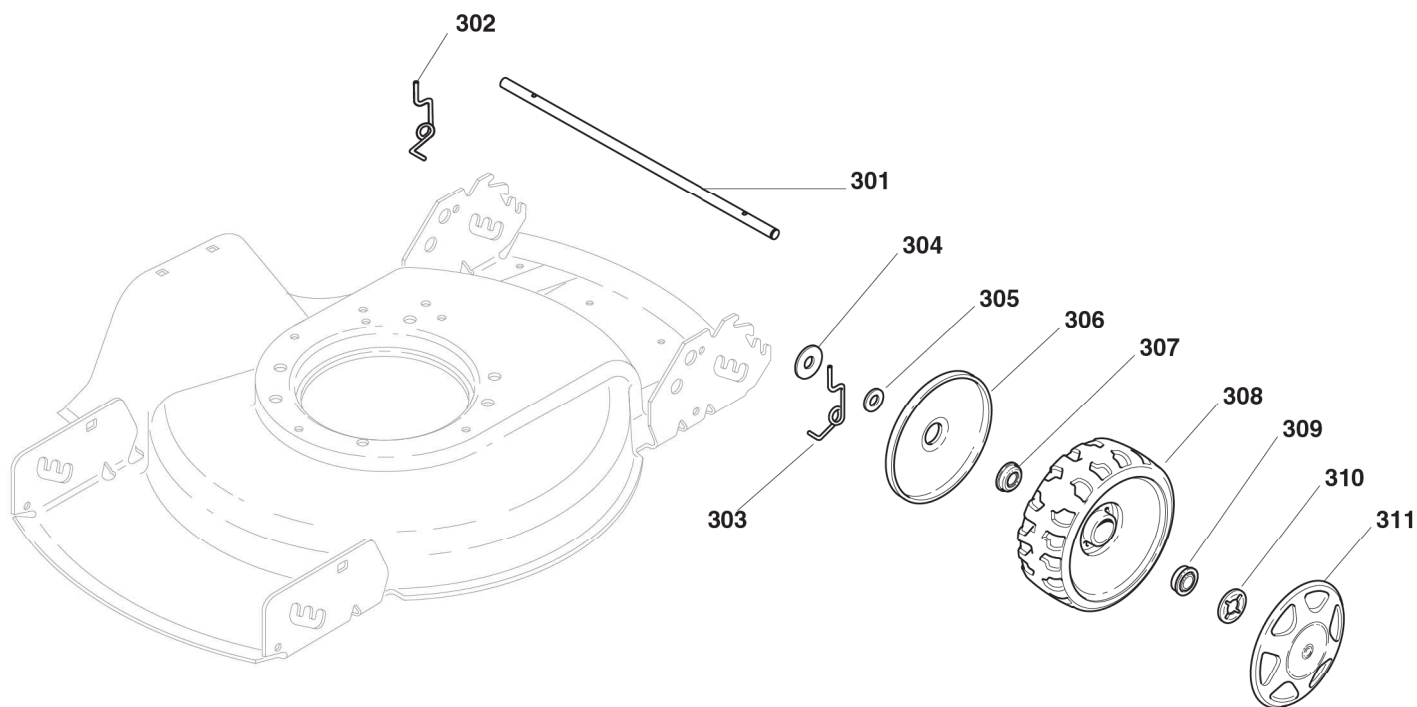


POS.	CODE	Q.TY	DESCRIZIONE	DESCRIPTION	DESCRIPTION	BESCHREIBUNG	REMARKS
251	22033395/0	2	ASSE	AXLE	AXE	ACHSE	
252	22450442/0	2	MOLLA DX	R SPRING	RESSORT D	RECHTE FEDER	
253	22450441/0	2	MOLLA SX	L SPRING	RESSORT G	LINKE FEDER	
254	22671654/0	4	RONDELLA	WASHER	RONDELLE	SCHEIBE	
255	22671659/0	4	RONDELLA	WASHER	RONDELLE	SCHEIBE	
256	22600095/0	4	PROTEZIONE	PROTECTION	PROTECTION	SCHUTZ	
257	22034515/1	4	BUSSOLA	BUSH	DOUILLE	BUCHSE	
258	22686091/1	4	RUOTA Ø 165	WHEEL Ø 165	ROUE Ø 165	RAD Ø 165	
257	22034508/0	4	BUSSOLA	BUSH	DOUILLE	BUCHSE	
260	22020050/0	4	ANELLO ELASTICO	SNAP RING	ANNEAU RESSORT	SPRENGRING	
261	-	4	COPRIMOZZO	HUB CAP	COUVRE-MOYEU	RADKAPPE	(SEE ENCLOSURE 1)

DI 474

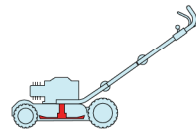


2008
912a.0
1 / 1



POS.	CODE	Q.TY	DESCRIZIONE	DESCRIPTION	DESCRIPTION	BESCHREIBUNG	REMARKS
301	22033395/0	2	ASSE	AXLE	AXE	ACHSE	
302	22450442/0	2	MOLLA DX	R SPRING	RESSORT D	RECHTE FEDER	
303	22450441/0	2	MOLLA SX	L SPRING	RESSORT G	LINKE FEDER	
304	22671654/0	4	RONDELLA	WASHER	RONDELLE	SCHEIBE	
305	22671659/0	4	RONDELLA	WASHER	RONDELLE	SCHEIBE	
306	22600095/0	4	PROTEZIONE	PROTECTION	PROTECTION	SCHUTZ	
307	22122200/0	8	CUSCINETTO	BEARING	COUSSINET	LAGER	
308	22686091/1	4	RUOTA Ø 165	WHEEL Ø 165	ROUE Ø 165	RAD Ø 165	
310	22020050/0	4	ANELLO ELASTICO	SNAP RING	ANNEAU RESSORT	SPRENGRING	
311	-	4	COPRIMOZZO	HUB CAP	COUVRE-MOYEU	RADKAPPE	(SEE ENCLOSURE 1)
312	22430215/0	4	MOLLA	SPRING	RESSORT	FEDER	

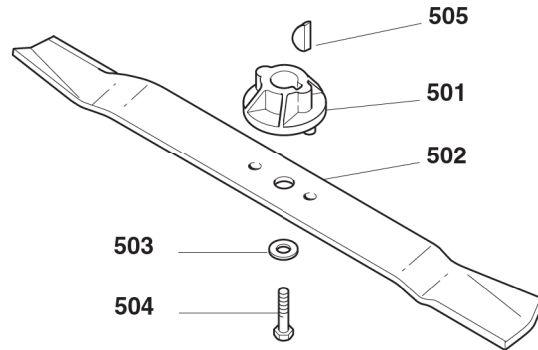
DI 474



2008

913.0

1 / 1



POS.	CODE	Q.TY	DESCRIZIONE	DESCRIPTION	DESCRIPTION	BESCHREIBUNG	REMARKS
501	22465617/0	1	MOZZO	HUB	MOYEU	HALTER	
502	81004124/1	1	COLTELLO STANDARD	BLADE STANDARD	LAME STANDARD	MESSER STANDARD	
503	12530140/0	1	ROSETTA	WASHER	RONDELLE	SCHEIBE	
504	12735694/0	1	VITE	SCREW	VIS	SCHRAUBE	
505	12139100/0	1	LINGUETTA	FEATHER	CLAVETTE	KEIL	