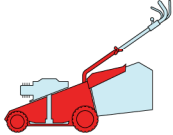
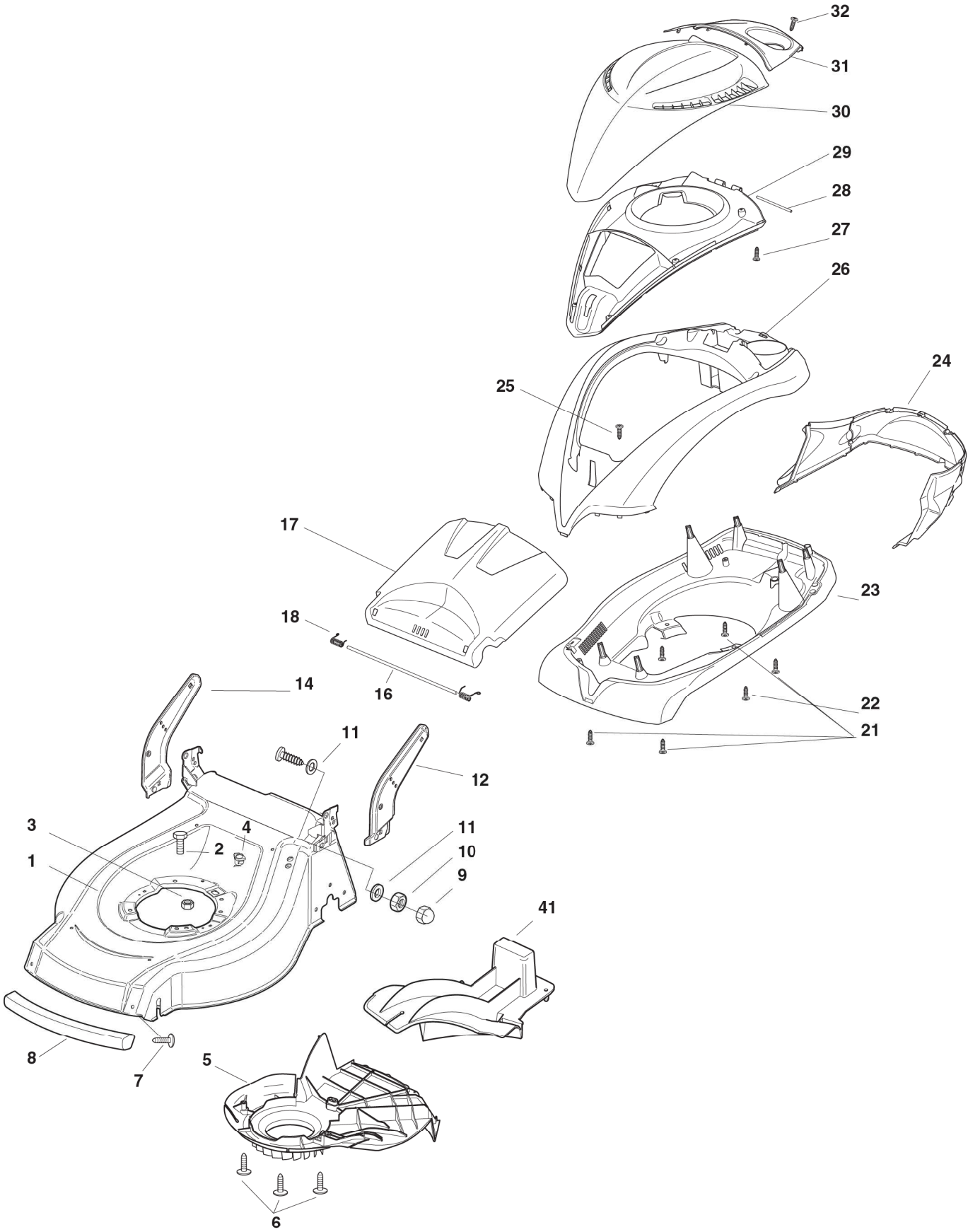


CAL 534

TR SIL	TR 4S SIL	W TR SIL
--------	-----------	----------



2008
751.0
1 / 2



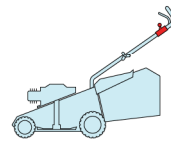
POS.	CODE	Q.Q.TY	DESCRIZIONE	DESCRIPTION	DESCRIPTION	BESCHREIBUNG	REMARKS
1	381003712/0	1	CHASSIS GRIGIO	DECK GREY	CHÂSSIS GRIS	GEHÄUSE GRAU	
2	12691100/0	3	VITE	SCREW	VIS	SCHRAUBE	
3	12154510/0	3	DADO	NUT	ECROU	MUTTER	
4	22291150/0	1	INSERTO IN GOMMA	RUBBER INSERT	INSERT DE	GUMMI EINSATZ	
5	322060224/0	1	CARTER	PROTECTION	PROTECTION	SCHUTZ	
6	12728460/0	3	VITE	SCREW	VIS	SCHRAUBE	
7	12735404/0	2	VITE	SCREW	VIS	SCHRAUBE	
8	322485000/0	1	PROTEZIONE GRIGIO	GREY PROTECTION	PROTECTION GRIS	SCHUTZ GRAU	
9	18203854/0	2	CAPPUCCIO	PROTECTION	CAPUCHON	STECKER	
10	12155000/0	2	DADO	NUT	ECROU	MUTTER	
11	22671653/0	4	ROSETTA	WASHER	RONDELLE	SCHEIBE	
12	322778433/0	1	STAFFA SX	BRACKET, L	BRIDE G	PRATZE, LINKE	
13	12793301/0	2	VITE	SCREW	VIS	SCHRAUBE	
14	322778431/0	1	STAFFA DX	BRACKET, R	BRIDE D	PRATZE, RECHTE	
15	122450451/0	1	MOLLA SX	L SPRING	RESSORT G	LINKE FEDER	
16	122517862/0	1	PERNO	PIN	PIVOT	BOLZEN	
17	322600164/0	1	PARASASSI, GRIGIO	STONE-GUARD, GREY	PARE-PIERRES, GRIS	PRALLBLECH, GRAU	
-	322600171/0	1	PARASASSI, NERO	STONE-GUARD, BLACK	PARE-PIERRES, NOIR	PRALLBLECH, GRAU	
18	122450450/0	1	MOLLA DX	R SPRING	RESSORT D	RECHTE FEDER	
21	12728300/0	4	VITE	SCREW	VIS	SCHRAUBE	
22	112728696/0	2	VITE	SCREW	VIS	SCHRAUBE	
23	322109740/0	1	COPERTURA INF. ROSSO CAST.	COVER, LOWER RED CAST.	COUVRE, INFERIEURE ROUGE CAST.	UNTERKAPPE, ROT CAST.	CASTELGARDEN
-	322109806/0	1	COPERTURA INF. ROSSO MOUNT.	COVER, LOWER RED MOUNT.	COUVRE, INFERIEURE ROUGE MOUNT.	UNTERKAPPE, ROT MOUNT.	MOUNTFIELD
-	322109822/0	1	COPERTURA INF. GIALLO	COVER, LOWER YELLOW	COUVRE, INFERIEURE JAUNE	UNTERKAPPE, ROT GELB	STIGA
24	322109739/0	1	CHIUSURA POST. GRIGIO	REAR COVER, GREY	COUVERCLE ARRIERE, GRIS	DECKEL HINTER, GRAU	
-	322109808/0	1	CHIUSURA POST. NERO	REAR COVER, BLACK	COUVERCLE ARRIERE, NOIR	DECKEL HINTER, SCH- WARZ	
25	112728706/0	6	VITE	SCREW	VIS	SCHRAUBE	
26	322109735/0	1	COPERTURA SUP. ROS- SO CAST.	COVER, UPPER RED CAST.	COUVRE, SUP. ROUGE CAST.	OBERTEILKAPPE, ROT CAST.	CASTELGARDEN
-	322109807/0	1	COPERTURA SUP. ROS- SO MOUNT.	COVER, UPPER RED MOUNT.	COUVRE, SUP. ROUGE MOUNT.	OBERTEILKAPPE, ROT MOUNT.	MOUNTFIELD
-	322109823/0	1	COPERTURA SUP. GIALLO	COVER, UPPER YELLOW	COUVRE, SUP. JAUNE	OBERTEILKAPPE, ROT GELB	STIGA
27	112728696/0	2	VITE	SCREW	VIS	SCHRAUBE	
28	122517861/0	1	PERNO	PIN	PIVOT	BOLZEN	
29	322109737/0	1	COPERTURA INF. GRIGIO	COVER, LOWER GREY	COUVRE, INFERIEURE GRIS	UNTERKAPPE, ROT GRAU	
30	322109736/0	1	COPERTURA SUP. GRIGIO	COVER, UPPER GREY	COUVRE, SUP. GRIS	OBERTEILKAPPE, ROT GRAU	
-	322109810/0	1	COPERTURA SUP. NERO	COVER, UPPER BLACK	COUVRE, SUP. NOIR	OBERTEILKAPPE, ROT SCHWARZ	
31	322109738/0	1	COPERCHIO, GRIGIO	COVER, GREY	COUVERCLE, GRIS	DECKEL, GRAU	
-	322109809/0	1	COPERCHIO, NERO	COVER, BLACK	COUVERCLE, NOIR	DECKEL, SCHWARZ	
32	112728696/0	2	VITE	SCREW	VIS	SCHRAUBE	

CAL 534

TR SIL

TR 4S SIL

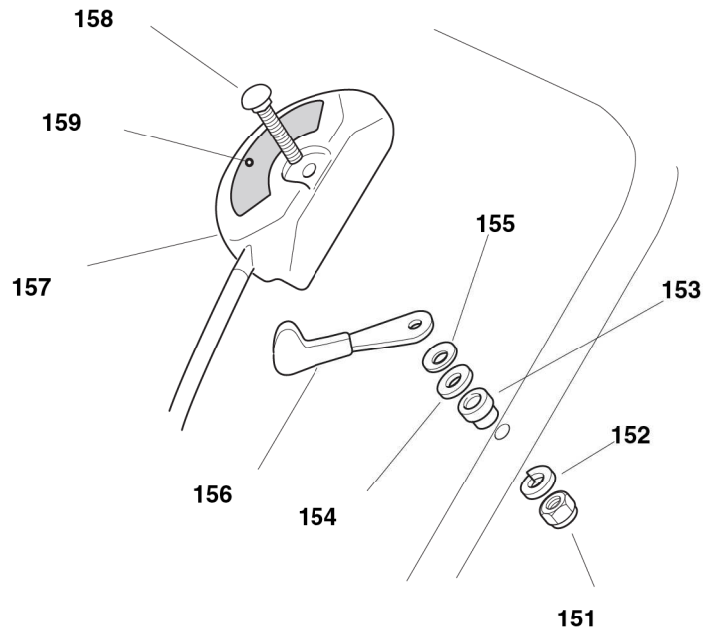
W TR SIL



2008

752.0

1 / 1



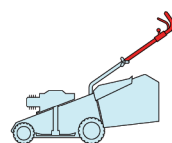
POS.	CODE	Q.TY	DESCRIZIONE	DESCRIPTION	DESCRIPTION	BESCHREIBUNG	REMARKS
151	12291000/0	1	DADO	NUT	ECROU	MUTTER	
152	12581500/0	1	GROWER	GROWER	GROWER	FEDERRING	
153	22171005/0	1	DISTANZIALE	SPACER	ENTRETOISE	DISTANZRING	
154	12521360/0	1	ROSETTA	WASHER	RONDELLE	SCHEIBE	
155	12508100/0	1	ROSETTA ELASTICA	SPRING WASHER	RONDELLE ELASTIQUE	ELASTISCHE SCHEIBE	
156	81007279/1	1	LEVA, ACCELERATORE	LEVER, THROTTLE	LEVIER, ACCELERATEUR	HEBEL, BESHLEUNIGER	
157	81007080/0	1	CAVO ACCELERATORE	THROTTLE CABLE	CABLE, ACCELERATEUR	GASHEBEL KABEL	
158	12815000/0	1	VITE	SCREW	VIS	SCHRAUBE	
159	14356702/0	1	ETICHETTA	LABEL	ETIQUETTE	ETIKETTE	

CAL 534

TR SIL

TR 4S SIL

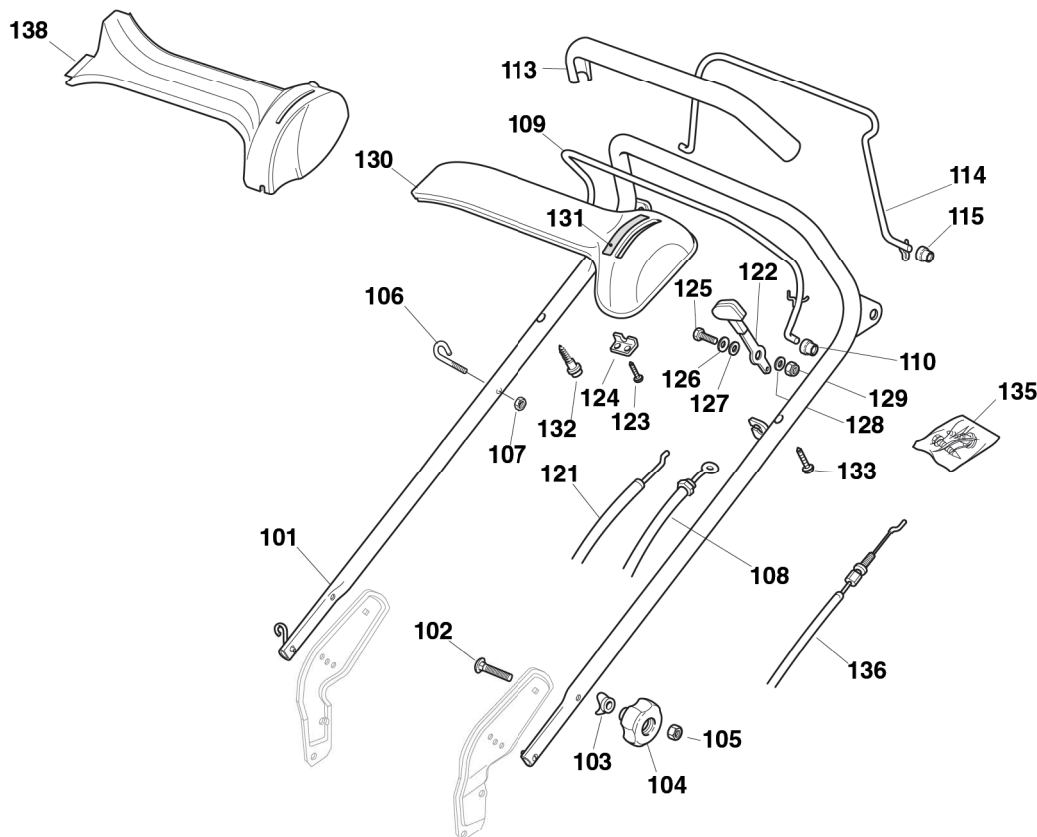
W TR SIL



2008

752a.0

1 / 2



POS.	CODE	Q.TY	DESCRIZIONE	DESCRIPTION	DESCRIPTION	BESCHREIBUNG	REMARKS
101	381006869/0	1	MANICO, PARTE SUP	HANDLE, UPPER PART	MANCHERON, PARTIE SUPERIEURE	HOLM, OBERTEIL	
102	12819120/0	2	VITE	SCREW	VIS	SCHRAUBE	
103	22680006/1	2	ROSETTA	WASHER	RONDELLE	SCHEIBE	
104	322399804/1	2	MANOPOLINA	KNOB	POIGNÉE	GRIFF	
105	12293200/0	2	DADO	NUT	ECROU	MUTTER	
106	22430313/0	1	MOLLA GUIDA	GUIDE SPRING	RESSORT DE GUIDE	FEDER FÜHRER	
107	12154510/0	1	DADO	NUT	ECROU	MUTTER	
108	181030026/0	1	CAVO FRENO MOTORE	CABLE, THREAD ENGINE BRAKE	CABLE FREIN MOTEUR	KABEL, MOTORBREMSE	(GGP 160CC)
109	81003291/3	1	LEVA FRENO MOTORE	LEVER, ENGINE BRAKE	LEVIER FREIN MOTEUR	HEBEL, MOTORBREMSE	
110	22041966/0	2	BUSSOLA	BUSH	DOUILLE	BUCHSE	
111	12728518/0	1	VITE	SCREW	VIS	SCHRAUBE	
112	22806612/0	1	SUPPORTO	SUPPORT	SUPPORT	HALTER	
113	22291050/0	1	IMPUGNATURA MANICO NERA	HANDGRIP BLACK	POIGNÉE NOIRE	HANDGRIF SCHWARZ	
114	81003288/1	1	LEVA TRAZIONE	LEVER, DRIVING	LEVIER TRACTION	HEBEL, ANTRIEB	
115	22041965/1	2	BUSSOLA	BUSH	DOUILLE	BUCHSE	
121	81007160/0	1	CAVO ACCELERATORE	THROTTLE CABLE	CABLE, ACCELERATEUR	GASHEBEL KABEL	
122	81007280/2	1	LEVA, ACCELERATORE	LEVER, THROTTLE	LEVIER,	HEBEL, BESHLEUNIGER	
123	12735105/0	2	VITE	SCREW	VIS	SCHRAUBE	
124	22981467/0	1	PIASTRINA	PLATE	PLAQUETTE	PLATTE	
125	12791500/0	1	VITE	SCREW	VIS	SCHRAUBE	
126	12530060/0	1	ROSETTA ELASTICA	ELASTIC WASHER	RONDELLE ELASTIQUE	ELASTISCHE SCHEIBE	
127	12523040/0	1	ROSETTA	WASHER	RONDELLE	SCHEIBE	

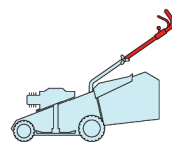
POS.	CODE	Q.TY	DESCRIZIONE	DESCRIPTION	DESCRIPTION	BESCHREIBUNG	REMARKS
128	12523040/0	1	ROSETTA	WASHER	RONDELLE	SCHEIBE	
129	12154510/0	1	DADO	NUT	ECROU	MUTTER	
130	22120152/0	1	CRUSCOTTO GIALLO	DASH BOARD YELLOW	CONSOLE JAUNE	KONSOLE GELBE	
-	22120154/0	1	CRUSCOTTO ROSSO	DASH BOARD RED	CONSOLE ROUGE	KONSOLE ROTE	
-	22120158/0	1	CRUSCOTTO NERO	DASH BOARD BLACK	CONSOLE NOIRE	KONSOLE SCHWARZE	
131	114356743/1	1	ETICHETTA	LABEL	ETIQUETTE	ETIKETTE	
132	22943006/0	1	VITE	SCREW	VIS	SCHRAUBE	
133	12728460/0	1	VITE	SCREW	VIS	SCHRAUBE	
135	81008609/0	1	DOTAZIONE VITERIA CRUSCOTTO	OUTFIT, DASH-BOARD SCREWS	DOTATION VISSERIE CONSOLLE	SATZ, KONSOLE SCHRAU- BEN	
136	381030025/0	1	CAVO COMANDO TRA- ZIONE	CABLE, REAR DRIVE	CÂBLE, COMMANDE TRACTION	KABEL, ANTRIEB	(GENERAL TRANSMIS- SION)
138	22120172/0	1	CRUSCOTTO NERO	DASH BOARD BLACK	CONSOLE NOIRE	KONSOLE SCHWARZE	
-	22120173/0	1	CRUSCOTTO ROSSO	DASH BOARD RED	CONSOLE ROUGE	KONSOLE ROTE	
-	22120174/0	1	CRUSCOTTO GIALLO	DASH BOARD YELLOW	CONSOLE JAUNE	KONSOLE GELBE	

CAL 534

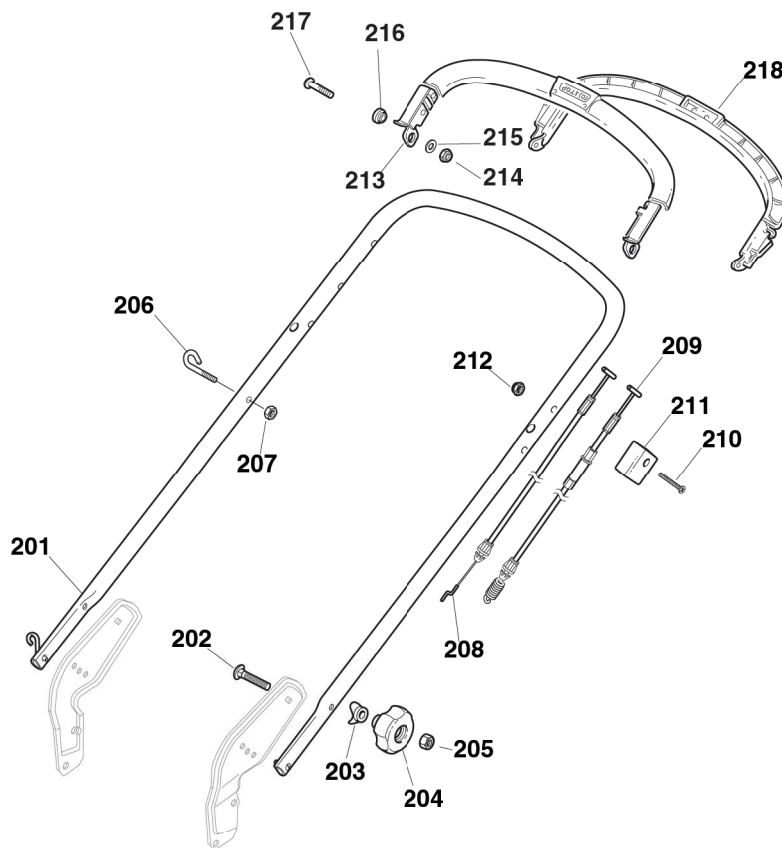
TR SIL

TR 4S SIL

W TR SIL



2008
752b.0
1 / 1



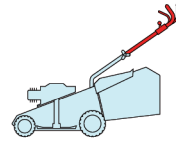
POS.	CODE	Q.TY	DESCRIZIONE	DESCRIPTION	DESCRIPTION	BESCHREIBUNG	REMARKS
201	381006691/0	1	MANICO, PARTE SUP	HANDLE, UPPER PART	MANCHERON, PARTIE SUPERIEURE	HOLM, OBERTEIL	
202	12819120/0	2	VITE	SCREW	VIS	SCHRAUBE	
203	22680006/1	2	ROSETTA	WASHER	RONDELLE	SCHEIBE	
204	322399804/1	2	MANOPOLINA	KNOB	POIGNÉE	GRIFF	
205	12293200/0	2	DADO	NUT	ECROU	MUTTER	
206	22430313/0	1	MOLLA GUIDA	GUIDE SPRING	RESSORT DE GUIDE	FEDER FÜHRER	
207	12154510/0	1	DADO	NUT	ECROU	MUTTER	
208	381030028/0	1	CAVO FRENO MOTORE	CABLE, THREAD ENGINE BRAKE	CABLE FREIN MOTEUR	KABEL, MOTORBREMSE	(GGP 160CC)
209	381030029/0	1	CAVO COMANDO TRAZIONE	CABLE, REAR DRIVE	CÂBLE, COMMANDE TRACTION	KABEL, ANTRIEB	(GENERAL TRANSMISSION)
210	12689500/0	2	VITE	SCREW	VIS	SCHRAUBE	
211	22551640/0	1	PIASTRINA	PLATE	PLAQUETTE	PLÄTTCHEN	
212	12154510/0	1	DADO	NUT	ECROU	MUTTER	
213	381003330/0	1	LEVA FRENO MOTORE	LEVER, ENGINE BRAKE	LEVIER FREIN MOTEUR	HEBEL, MOTORBREMSE	
214	12154510/0	2	DADO	NUT	ECROU	MUTTER	
215	12523010/0	2	ROSETTA	WASHER	RONDELLE	SCHEIBE	
216	22041960/0	2	BUSSOLA	BUSH	DOUILLE	BUCHSE	
217	22524328/0	2	PERNO	PIN	PIVOT	BOLZEN	
218	81003297/1	1	LEVA TRAZIONE	DRIVING LEVER	LEVIER TRACTION	ANTRIEBHEBEL	

CAL 534

TR SIL

TR 4S SIL

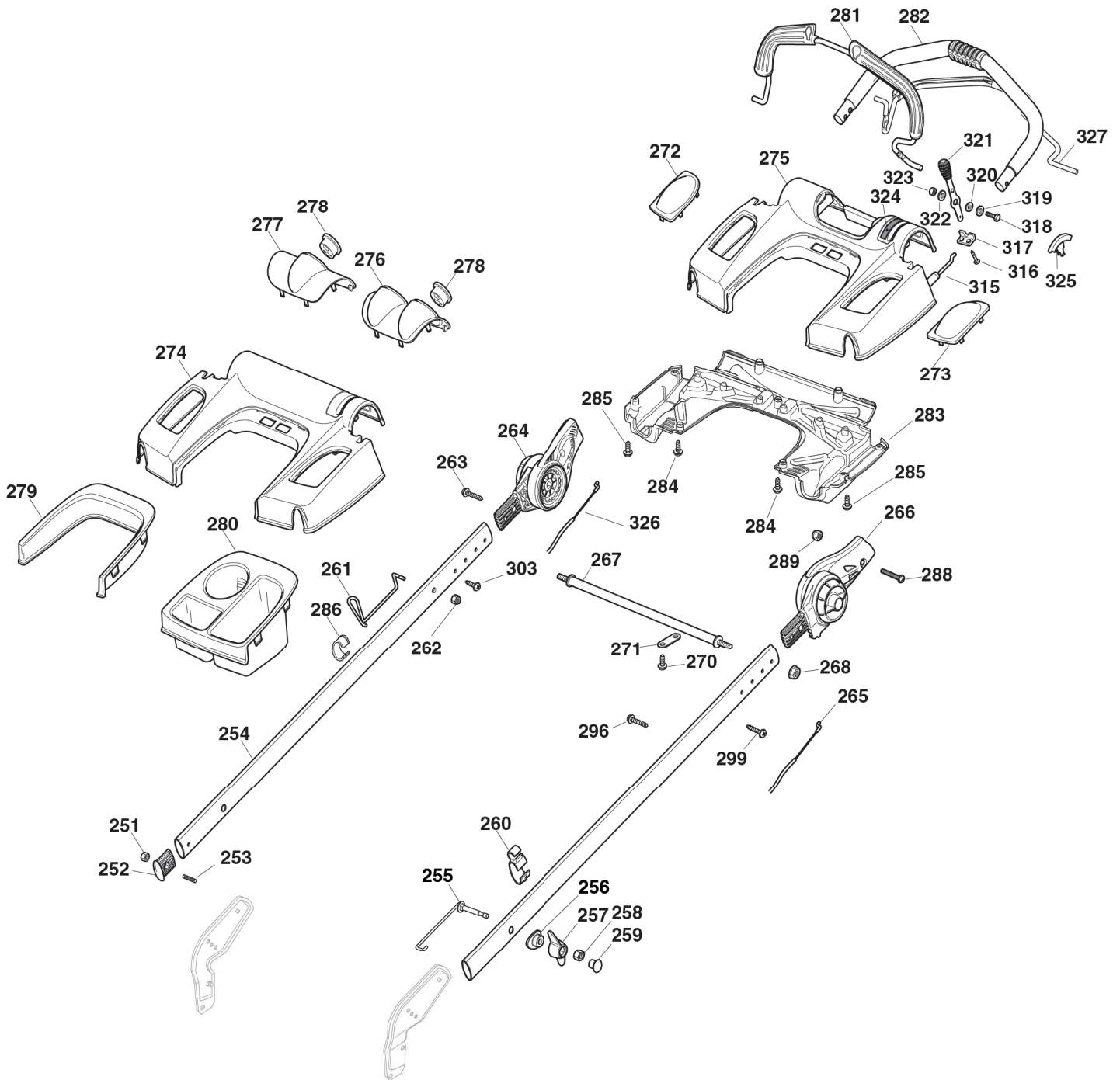
W TR SIL



2008

752c.0

1 / 2



POS.	CODE	Q.TY	DESCRIZIONE	DESCRIPTION	DESCRIPTION	BESCHREIBUNG	REMARKS
251	12154510/0	2	DADO	NUT	ECROU	MUTTER	
252	22820071/0	2	PUNTALE	CAP	BOUCHON	GUMMISTOPFEN	
253	12789450/0	2	VITE	SCREW	VIS	SCHRAUBE	
254	322498105/1	2	MANICO	HANDLE	MANCHERON	HOLM	
255	381003805/0	2	MOLLA GUIDA	SPRING	RESSORT	FEDER	
256	22680012/0	2	ROSETTA	WASHER	RONDELLE	SCHEIBE	
257	22399821/0	2	MANOPOLINA	KNOB	POIGNÉE	GRIFF	
258	12293200/0	2	DADO	NUT	ECROU	MUTTER	

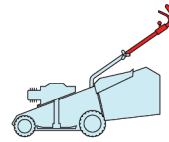
POS.	CODE	Q.Q.TY	DESCRIZIONE	DESCRIPTION	DESCRIPTION	BESCHREIBUNG	REMARKS
259	322820072/1	2	TAPPO	CAP	BOUCHON	STOPFEN	
260	22192003/0	1	FERMACAVO	FAIRLEAD	FIXATION CABLE	KABELBEFESTIGUNG	
261	122430316/1	1	MOLLA GUIDA	SPRING	RESSORT	FEDER	
262	12154330/0	1	DADO	NUT	ECROU	MUTTER	
263	12728698/0	1	VITE	SCREW	VIS	SCHRAUBE	
264	381745003/0	1	SNODO	JOINT	JOINT	GELENK	
265	81000668/1	1	CAVO FRENO MOTORE	CABLE, THREAD ENGINE BRAKE	CABLE FREIN MOTEUR	KABEL, MOTORBREMSE	(GGP 160CC)
266	381745004/0	1	SNODO	JOINT	JOINT	GELENK	
267	122608537/1	1	RINFORZO	STIFFENING	REINFORCEMENT	VERSTAERKUNG	
268	12293201/0	2	DADO	NUT	ECROU	MUTTER	
270	12728691/0	2	VITE	SCREW	VIS	SCHRAUBE	
271	322981471/0	2	PIASTRINA	PLATE	PLAQUE	PLATTE	
272	322557155/1	1	COPERCHIO	COVER	COUVERCLE	DECKEL	
273	322557156/1	1	COPERCHIO	COVER	COUVERCLE	DECKEL	
274	322120184/2	1	CRUSCOTTO	DASH BOARD	CONSOLE	KONSOLE	
275	322120185/2	1	CRUSCOTTO	DASH BOARD	CONSOLE	KONSOLE	
276	322109542/1	1	COPERCHIO	COVER	COUVERCLE	DECKEL	
277	322109541/1	1	COPERCHIO	COVER	COUVERCLE	DECKEL	
278	122480000/1	1	OROLOGIO	CLOCK	MONTRE	UHR	
279	322109543/1	1	PROTEZIONE	PROTECTION	PROTECTION	SCHUTZ	
280	322109540/1	1	VASCHETTE PORTAOGGETTI	TRAY	BAC DE RANGEMENT	ABLAGE	
281	81003325/0	1	LEVA FRENO MOTORE	LEVER, ENGINE BRAKE	LEVIER FREIN MOTEUR	HEBEL, MOTORBREMSE	
282	381006670/1	1	IMPUGNATURA MANICO	HANDGRIP	POIGNÉE	HANDGRIFF	
283	322109547/0	1	COPERCHIO	COVER	COUVERCLE	DECKEL	
284	112728706/0	2	VITE	SCREW	VIS	SCHRAUBE	
285	112728695/0	7	VITE	SCREW	VIS	SCHRAUBE	
286	322192004/0	1	FASCETTA	ANCHOR CLAMP	COLLIER ANCRAGE	BOWDENZUGHALTER	
288	112727799/0	2	VITE	SCREW	VIS	SCHRAUBE	
289	12154510/0	2	DADO	NUT	ECROU	MUTTER	
296	12728526/0	1	VITE	SCREW	VIS	SCHRAUBE	
299	12728698/0	1	VITE	SCREW	VIS	SCHRAUBE	
303	12728526/0	1	VITE	SCREW	VIS	SCHRAUBE	
315	81007160/0	1	CAVO ACCELERATORE	THROTTLE CABLE	CABLE, ACCELERATEUR	GASHEBEL KABEL	
316	12735105/0	2	VITE	SCREW	VIS	SCHRAUBE	
317	22981467/0	1	PIASTRINA	PLATE	PLAQUETTE	PLATTE	
318	12791500/0	1	VITE	SCREW	VIS	SCHRAUBE	
319	12530060/0	1	ROSETTA	WASHER	RONDELLE	SCHEIBE	
320	12523040/0	1	ROSETTA	WASHER	RONDELLE	SCHEIBE	
321	381007225/1	1	LEVA, ACCELERATORE - NERA	LEVER, THROTTLE	LEVIER,	HEBEL, BESHLEUNIGER	
-	381007222/1	1	LEVA, ACCELERATORE - ROSSA	LEVER, THROTTLE	LEVIER,	HEBEL, BESHLEUNIGER	
322	12523040/0	1	ROSETTA	WASHER	RONDELLE	SCHEIBE	
323	12154510/0	1	DADO	NUT	ECROU	MUTTER	
324	114362229/1	1	ETICHETTA	LABEL	ETIQUETTE	ETIKETTE	(GGP 160 CC)
325	22557160/0	1	TAPPO	CAP	BOUCHON	GUMMISTOPFEN	
326	381030023/0	1	CAVO COMANDO TRAZIONE	CABLE, REAR DRIVE	CÂBLE, COMMANDE TRACTION	KABEL, ANTRIEB	(GENERAL TRANSMISSION)
327	381003328/0	1	LEVA TRAZIONE	LEVER, DRIVING	LEVIER TRACTION	HEBEL, ANTRIEB	

CAL 534

TR SIL

TR 4S SIL

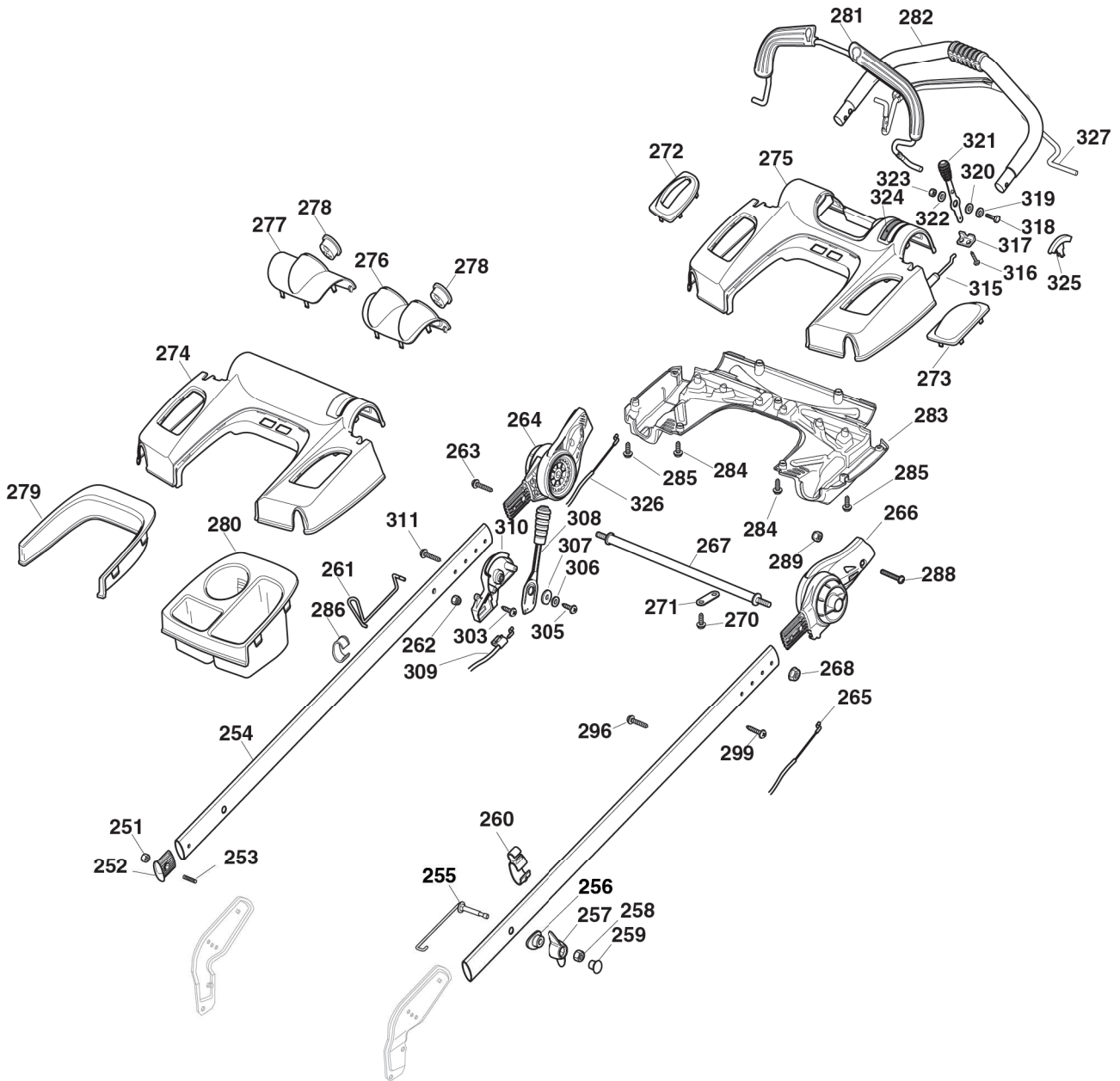
W TR SIL



2008

752d.0

1 / 2



POS.	CODE	Q.TY	DESCRIZIONE	DESCRIPTION	DESCRIPTION	BESCHREIBUNG	REMARKS
251	12154510/0	2	DADO	NUT	ECROU	MUTTER	
252	22820071/0	2	PUNTALE	CAP	BOUCHON	GUMMISTOPFEN	
253	12789450/0	2	VITE	SCREW	VIS	SCHRAUBE	
254	322498105/1	2	MANICO	HANDLE	MANCHERON	HOLM	
255	381003805/0	2	MOLLA GUIDA	SPRING	RESSORT	FEDER	
256	22680012/0	2	ROSETTA	WASHER	RONDELLE	SCHEIBE	
257	22399821/0	2	MANOPOLINA	KNOB	POIGNÉE	GRIFF	
258	12293200/0	2	DADO	NUT	ECROU	MUTTER	
259	322820072/1	2	TAPPO	CAP	BOUCHON	STOPFEN	
260	22192003/0	1	FERMACAVO	FAIRLEAD	FIXATION CABLE	KABELBEFESTIGUNG	
261	122430316/1	1	MOLLA GUIDA	SPRING	RESSORT	FEDER	
262	12154330/0	1	DADO	NUT	ECROU	MUTTER	

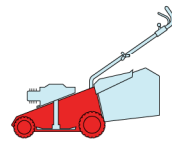
POS.	CODE	Q.Q.TY	DESCRIZIONE	DESCRIPTION	DESCRIPTION	BESCHREIBUNG	REMARKS
263	12728702/0	1	VITE	SCREW	VIS	SCHRAUBE	
264	381745003/0	1	SNODO	JOINT	JOINT	GELENK	
265	81000668/1	1	CAVO FRENO MOTORE	CABLE, THREAD ENGINE BRAKE	CABLE FREIN MOTEUR	KABEL, MOTORBREMSE	(GGP 160CC)
266	381745004/0	1	SNODO	JOINT	JOINT	GELENK	
267	122608537/1	1	RINFORZO	STIFFENING	RENFORCEMENT	VERSTAERKUNG	
268	12293201/0	2	DADO	NUT	ECROU	MUTTER	
270	12728691/0	2	VITE	SCREW	VIS	SCHRAUBE	
271	322981471/0	2	PIASTRINA	PLATE	PLAQUE	PLATTE	
272	322557159/1	1	COPERCHIO	COVER	COUVERCLE	DECKEL	
273	322557156/1	1	COPERCHIO	COVER	COUVERCLE	DECKEL	
274	322120184/2	1	CRUSCOTTO	DASH BOARD	CONSOLE	KONSOLE	
275	322120185/2	1	CRUSCOTTO	DASH BOARD	CONSOLE	KONSOLE	
276	322109542/1	1	COPERCHIO	COVER	COUVERCLE	DECKEL	
277	322109541/1	1	COPERCHIO	COVER	COUVERCLE	DECKEL	
278	122480000/1	1	OROLOGIO	CLOCK	MONTRE	UHR	
279	322109543/1	1	PROTEZIONE	PROTECTION	PROTECTION	SCHUTZ	
280	322109540/1	1	VASCHETTE PORTAOGGETTI	TRAY	BAC DE RANGEMENT	ABLAGE	
281	81003325/0	1	LEVA FRENO MOTORE	LEVER, ENGINE BRAKE	LEVIER FREIN MOTEUR	HEBEL, MOTORBREMSE	
282	381006670/1	1	IMPUGNATURA MANICO	HANDGRIP	POIGNÉE	HANDGRIFF	
283	322109547/0	1	COPERCHIO	COVER	COUVERCLE	DECKEL	
284	112728706/0	2	VITE	SCREW	VIS	SCHRAUBE	
285	112728695/0	7	VITE	SCREW	VIS	SCHRAUBE	
286	322192004/0	1	FASCETTA	ANCHOR CLAMP	COLLIER ANCRAGE	BOWDENZUGHALTER	
288	112727799/0	2	VITE	SCREW	VIS	SCHRAUBE	
289	12154510/0	2	DADO	NUT	ECROU	MUTTER	
296	12728526/0	1	VITE	SCREW	VIS	SCHRAUBE	
299	12728698/0	1	VITE	SCREW	VIS	SCHRAUBE	
303	12728527/0	1	VITE	SCREW	VIS	SCHRAUBE	
305	12728686/0	1	VITE	SCREW	VIS	SCHRAUBE	
306	12523020/0	1	ROSETTA	WASHER	RONDELLE	SCHEIBE	
307	22680013/0	1	RONDELLA	WASHER	RONDELLE	SCHEIBE	
308	381007226/1	1	LEVA TRAZIONE, NERA	LEVER, DRIVING	LEVIER TRACTION	HEBEL, ANTRIEB	
309	81000738/0	1	CAVO COMANDO MARCE	CABLE, SPEED DRIVE CONTROL	CABLE, COMM. CHANGE-MENT VITESSE	KABEL, GÄNGESCHALTUN	
310	22785233/0	1	SUPPORTO	SUPPORT	SUPPORT	HALTER	
315	81007160/0	1	CAVO ACCELERATORE	THROTTLE CABLE	CABLE, ACCELERATEUR	GASHEBEL KABEL	
316	12735105/0	2	VITE	SCREW	VIS	SCHRAUBE	
317	22981467/0	1	PIASTRINA	PLATE	PLAQUETTE	PLATTE	
318	12791500/0	1	VITE	SCREW	VIS	SCHRAUBE	
319	12530060/0	1	ROSETTA	WASHER	RONDELLE	SCHEIBE	
320	12523040/0	1	ROSETTA	WASHER	RONDELLE	SCHEIBE	
321	381007225/1	1	LEVA, ACCELERATORE - NERA	LEVER, THROTTLE	LEVIER,	HEBEL, BESHLEUNIGER	
321	381007222/1	1	LEVA, ACCELERATORE - ROSSA	LEVER, THROTTLE	LEVIER,	HEBEL, BESHLEUNIGER	
322	12523040/0	1	ROSETTA	WASHER	RONDELLE	SCHEIBE	
323	12154510/0	1	DADO	NUT	ECROU	MUTTER	
324	114362229/1	1	ETICHETTA	LABEL	ETIQUETTE	ETIKETTE	(GGP 160 CC)
325	22557160/0	1	TAPPO	CAP	BOUCHON	GUMMISTOPFEN	
326	381030023/0	1	CAVO COMANDO TRAZIONE	CABLE, REAR DRIVE	CÂBLE, COMMANDE TRACTION	KABEL, ANTRIEB	(GENERAL TRANSMISSION)
327	381003328/0	1	LEVA TRAZIONE	LEVER, DRIVING	LEVIER TRACTION	HEBEL, ANTRIEB	

CAL 534

TR SIL

TR 4S SIL

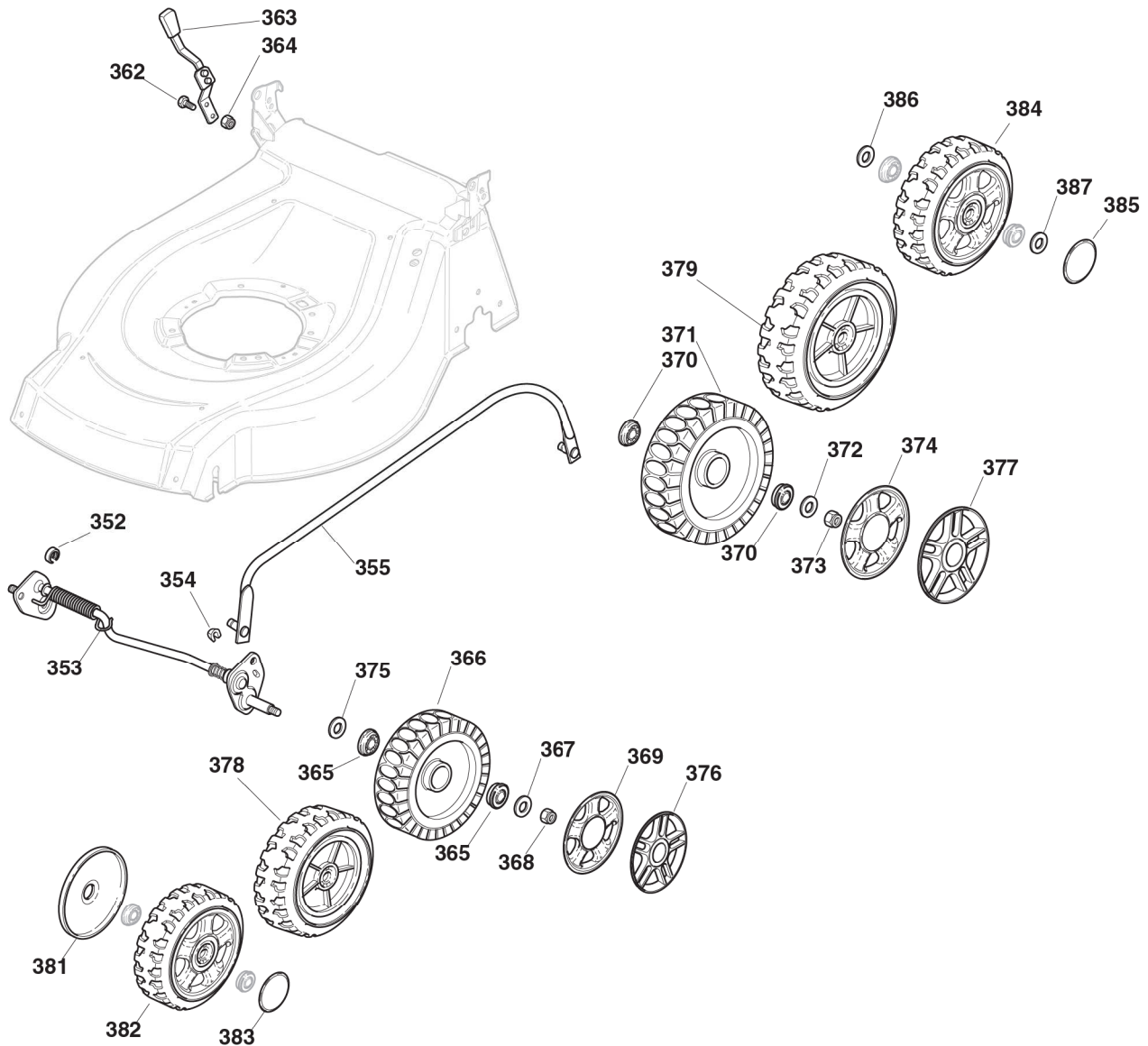
W TR SIL



2008

753.0

1 / 2



POS.	CODE	Q.TY	DESCRIZIONE	DESCRIPTION	DESCRIPTION	BESCHREIBUNG	REMARKS
352	22171002/0	1	DISTANZIALE	SPACER	ENTRETOISE	DISTANZRING	
353	81000143/1	1	ASSE RUOTE ANTERIORI	AXLE, FRONT WHEELS	AXE ROUES AVANT	ACHSE, VORDERRAD	
354	112436050/1	2	PIASTRINA	PLATE	PLAQUETTE	PLÄTTCHEN	
355	81006483/1	1	ASTA COMANDO REGOL. ALTEZZA	ROD, HEIGHT ADJUSTMENT	TIGE COMMANDE RE-GLAGE HAUTEUR	STANGE, HÖHEVERSTEL-LUNG	
362	12789000/0	2	VITE	SCREW	VIS	SCHRAUBE	
363	81003283/1	1	LEVA REGOLAZIONE ALTEZZA	LEVER, HEIGHT ADJUSTMENT	LEVIER, REGLAGE HAUTEUR	HEBEL, HÖHEVERSTEL-LUNG	
364	12154320/0	2	DADO	NUT	ECROU	MUTTER	
365	22122200/0	4	CUSCINETTO	BEARING	COUSSINET	LAGER	
366	81007336/0	2	RUOTA SCOLPITA Ø 170	WHEEL, KNOBBLY Ø 170	ROUE SCULPTEE Ø 170	RAD M. STOLLENPR. Ø 170	
367	12521350/0	2	ROSETTA	WASHER	RONDELLE	SCHEIBE	
368	12155000/0	2	DADO	NUT	ECROU	MUTTER	
369	22110381/0	2	COPRIMOZZO GRIGIO	HUB CAP, GREY	COUVRE-MOYEU, GRIS	RADKAPPE, GRAU	
370	22122200/0	4	CUSCINETTO	BEARING	COUSSINET	LAGER	

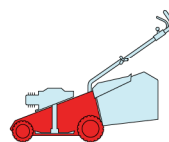
POS.	CODE	Q.Q.TY	DESCRIZIONE	DESCRIPTION	DESCRIPTION	BESCHREIBUNG	REMARKS
371	81007337/0	2	RUOTA SCOLPITA Ø 210	WHEEL, KNOBBLY Ø 210	ROUE SCULPTEE Ø 210	RAD M. STOLLENPR. Ø 210	
372	12521350/0	2	ROSETTA	WASHER	RONDELLE	SCHEIBE	
373	12155000/0	2	DADO	NUT	ECROU	MUTTER	
374	22110382/0	2	COPRIMOZZO GRIGIO	HUB CAP, GREY	COUVRE-MOYEU, GRIS	RADKAPPE, GRAU	
375	12530150/0	2	ROSETTA ELASTICA	ELASTIC WASHER	RONDELLE ELASTIQUE	ELASTISCHE SCHEIBE	
376	22110491/0	2	COPRIMOZZO GRIGIO	HUB CAP, GREY	COUVRE-MOYEU, GRIS	RADKAPPE, GRAU	
377	22110492/0	2	COPRIMOZZO GRIGIO	HUB CAP, GREY	COUVRE-MOYEU, GRIS	RADKAPPE, GRAU	
378	81007351/0	2	RUOTA SCOLPITA Ø 170	WHEEL, KNOBBLY Ø 170	ROUE SCULPTEE Ø 170	RAD M. STOLLENPR. Ø 170	
379	81007343/0	2	RUOTA SCOLPITA Ø 210	WHEEL, KNOBBLY Ø 210	ROUE SCULPTEE Ø 210	RAD M. STOLLENPR. Ø 210	
381	22600144/0	2	PROTEZIONE	PROTECTION	PROTECTION	SCHUTZ	
382	81007376/0	2	RUOTA Ø 170	WHEEL Ø 170	ROUE Ø 170	RAD. Ø 170	
383	22110418/0	2	COPRIMOZZO	HUB CAP	COUVRE-MOYEU	RADKAPPE	
384	81007382/0	2	RUOTA Ø 210	WHEEL Ø 210	ROUE Ø 210	RAD. Ø 210	
385	22110419/0	2	COPRIMOZZO	HUB CAP	COUVRE-MOYEU	RADKAPPE	
386	22675100/0	2	ROSETTA	WASHER	RONDELLE	SCHEIBE	
387	12521350/0	2	ROSETTA	WASHER	RONDELLE	SCHEIBE	

CAL 534

TR SIL

TR 4S SIL

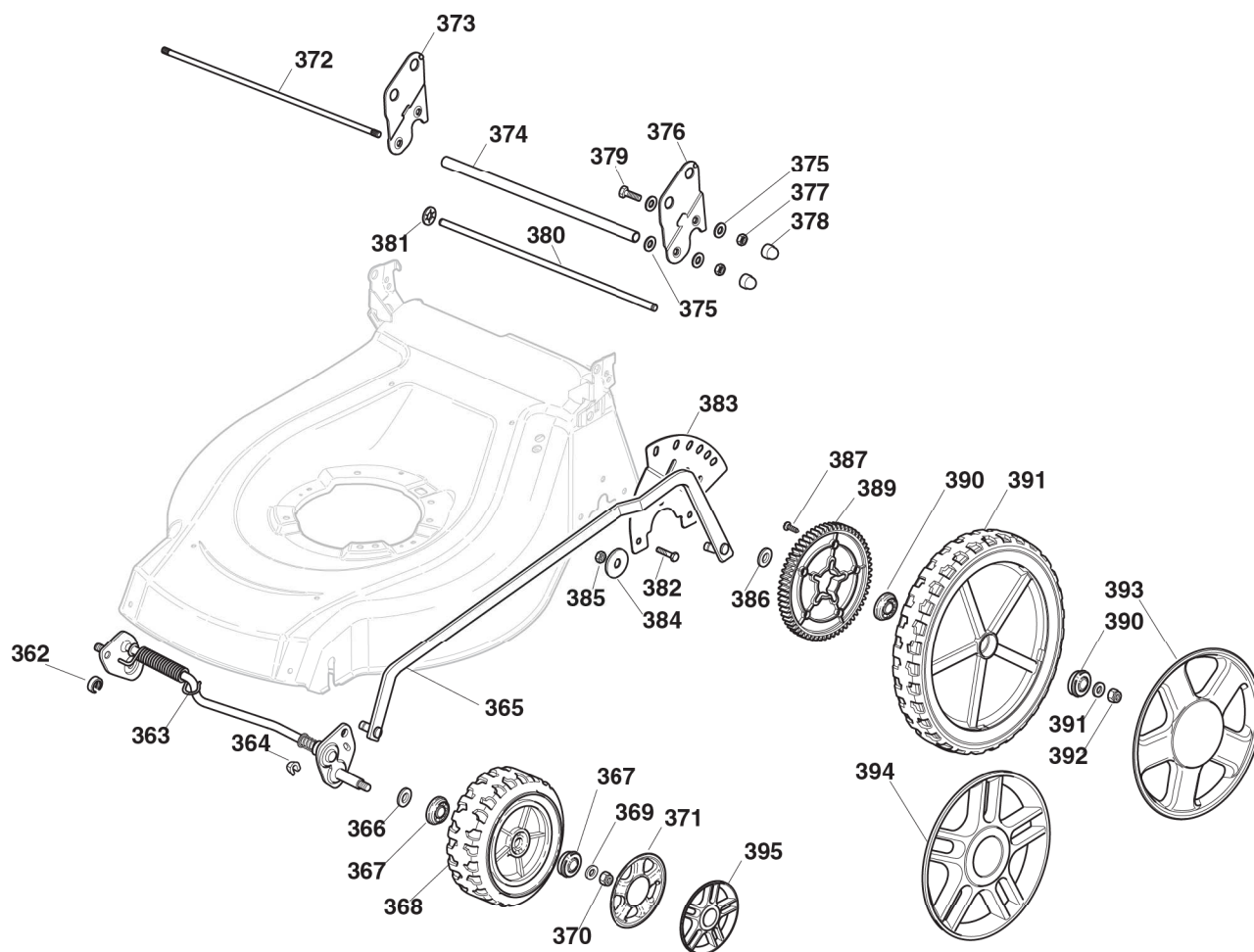
W TR SIL



2008

753a.0

1 / 2



POS.	CODE	Q.TY	DESCRIZIONE	DESCRIPTION	DESCRIPTION	BESCHREIBUNG	REMARKS
362	22171002/0	2	DISTANZIALE	SPACER	ENTRETOISE	DISTANZRING	
363	381002859/0	1	ASSE RUOTE ANTERIORI	AXLE, FRONT WHEELS	AXE ROUES AVANT	ACHSE, VORDERRAD	
364	12436050/0	2	PIASTRINA	PLATE	PLAQUETTE	PLÄTTCHEN	
365	381002017/0	1	ASTA COMANDO REGOL. ALTEZZA	ROD, HEIGHT ADJUSTMENT	TIGE COMMANDE REGULAGE HAUTEUR	STANGE, HÖHEVERSTELLUNG	
366	12530150/0	2	ROSETTA	WASHER	RONDELLE	SCHEIBE	
367	22122200/0	4	CUSCINETTO	BEARING	COUSSINET	LAGER	
368	81007343/0	2	RUOTA Ø 210	WHEEL Ø 210	ROUE Ø 210	RAD Ø 210	
369	12521350/0	2	ROSETTA	WASHER	RONDELLE	SCHEIBE	
370	12155000/0	2	DADO	NUT	ECROU	MUTTER	
371	22110382/0	2	COPRIMOZZO GRIGIO	HUB CAP, GREY	COUVRE-MOYEU, GRIS	RADKAPPE, GRAU	
372	22517702/1	1	FULCRO PARASASSI	STONE GUARD FULCRUM	POINT D'APPUI PARE-PIERRES	DREHPUNKT PRALLBLECH	
373	22778427/0	1	STAFFA DX	BRACKET, R	BRIDE D	PRATZE, RECHTE	
374	22869717/0	1	DISTANZIALE	SPACER	ENTRETOISE	DISTANZRING	

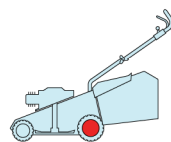
POS.	CODE	Q.Q.TY	DESCRIZIONE	DESCRIPTION	DESCRIPTION	BESCHREIBUNG	REMARKS
375	22671653/0	8	ROSETTA	WASHER	RONDELLE	SCHEIBE	
376	22778429/0	1	STAFFA SX	BRACKET, L	BRIDE G	PRATZE, LINKE	
377	12155000/0	4	DADO	NUT	ECROU	MUTTER	
378	18203854/0	4	CAPPUCCIO	PROTECTION	CAPUCHON	STECKER	
379	12793301/0	2	VITE	SCREW	VIS	SCHRAUBE	
380	22517860/0	1	PERNO	PIN	PIVOT	BOLZEN	
381	12604899/0	2	FISSATORE A CORONA	CROWN FASTENER	FIXATEUR A COURONNE	KRONESCHEIBE	
382	12792611/0	3	VITE	SCREW	VIS	SCHRAUBE	
383	322735579/1	1	SETTORE REGOLAZIONE ALTEZZA	SECTOR, HEIGHT ADJUSTMENT	SECTEUR REGLAGE HAUTEUR	SEKTOR, HÖHEVERSTELLUNG	
384	12523060/0	3	ROSETTA	WASHER	RONDELLE	SCHEIBE	
385	12155000/0	3	DADO	NUT	ECROU	MUTTER	
386	22675100/0	2	ROSETTA	WASHER	RONDELLE	SCHEIBE	
387	12728691/0	6	VITE	SCREW	VIS	SCHRAUBE	
388	22120110/0	2	RUOTA DENTATA	SPROCKET	COURONNE	ZAHNKETTENRAD	
389	22122200/0	4	CUSCINETTO	BEARING	COUSSINET	LAGER	
390	81007380/0	2	RUOTA Ø 300	WHEEL Ø 300	ROUE Ø 300	RAD Ø 300	
391	12521350/0	4	ROSETTA	WASHER	RONDELLE	SCHEIBE	
392	12155000/0	2	DADO	NUT	ECROU	MUTTER	
393	22110511/0	2	COPRIMOZZO GRIGIO Ø 300	HUB CAP, GREY Ø 300	COUVRE-MOYEU, GRIS Ø 300	RADKAPPE, GRAU Ø 300	
394	322110560/0	2	COPRIMOZZO GRIGIO Ø 300	HUB CAP, GREY Ø 300	COUVRE-MOYEU, GRIS Ø 300	RADKAPPE, GRAU Ø 300	
395	22110492/0	2	COPRIMOZZO GRIGIO	HUB CAP, GREY	COUVRE-MOYEU, GRIS	RADKAPPE, GRAU	

CAL 534

TR SIL

TR 4S SIL

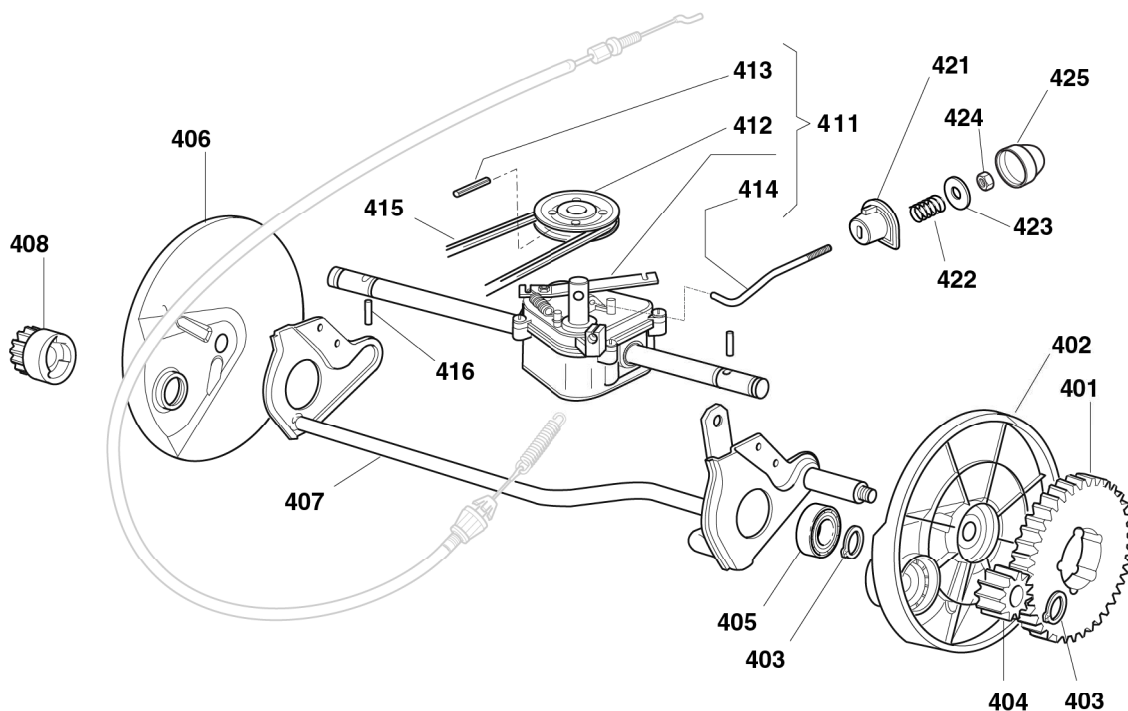
W TR SIL



2008

754.0

1 / 1



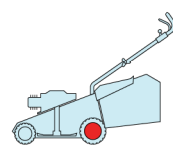
POS.	CODE	Q.TY	DESCRIZIONE	DESCRIPTION	DESCRIPTION	BESCHREIBUNG	REMARKS
401	22120105/1	2	CORONA	RING GEAR	COURONNE	KRANZ	
402	22600093/0	1	PROT. RUOTE SX	PROTECTION, L WHEEL	PROTECTION ROUE G	SCHÜTZ, LINKES	
403	12608600/0	4	SEEGER	SEEGER	SEEGER	SEEGER	
404	22570120/1	1	PIGNONE SX	PINION L	PIGNON G	RITZEL LINKES	
405	19216035/0	2	CUSCINETTO	BEARING	COUSSINET	LAGER	
406	22600092/0	1	PROT. RUOTE DX	PROTECTION, R WHEEL	PROTECTION ROUE D	SCHÜTZ, RECHTES	
407	81000147/0	1	ASSE RUOTE POSTERIORI	AXLE, REAR WHEELS	AXE ROUES ARRIERE	ACHSE, HINTERRAD	
408	22570110/1	1	PIGNONE DX	PINION R	PIGNON D	RITZEL RECHTES	
411	81003076/0	1	GRUPPO TRAZIONE	GEAR BOX	GROUPE TRACTION	ANTRIEB	(GENERAL TRANSMISSION)
412	22601904/0	1	PULEGGIA	PULLEY	POULIE	RIEMENSCHIEBE	
413	12645705/0	1	SPINA	PIN	GOUPILLE	STIFT	
414	22033283/0	1	ASTA REGOLAZIONE	ADJUSTMENT ROD	TIGE REGLAGE	VERSTELLUNGSTANGE	(GENERAL TRANSMISSION)
415	35063902/0	1	CINGHIA Z 29.5	BELT Z 29.5	COURROIE Z 29.5	RIEMEN Z 29.5	
416	22753000/0	2	SPINA	PIN	GOUPILLE	STIFT	
421	22041957/1	1	BUSSOLA	BUSH	DOUILLE	BUCHSE	
422	22450063/0	1	MOLLA	SPRING	RESSORT	FEDER	
423	22680009/0	1	ROSETTA	WASHER	RONDELLE	SCHEIBE	
424	12154510/0	1	DADO	NUT	ECROU	MUTTER	
425	22110230/0	1	TAPPO	CAP	BOUCHON	GUMMISTOPFEN	

CAL 534

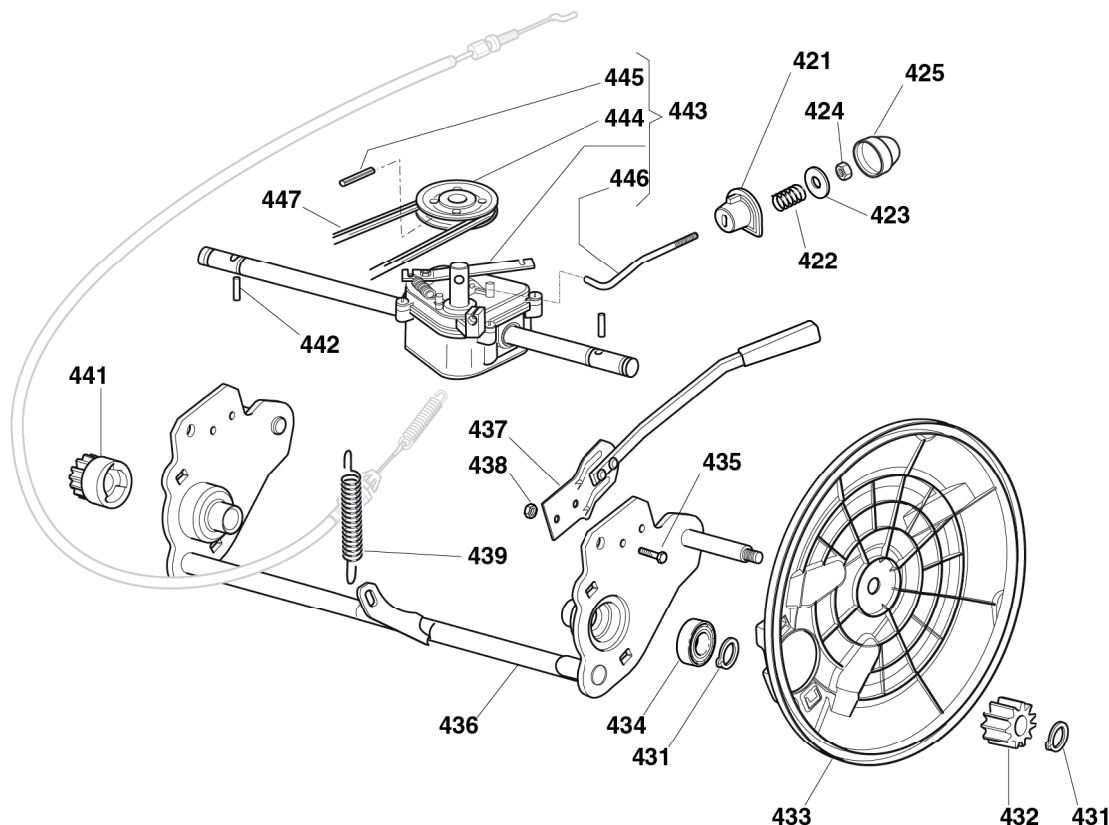
TR SIL

TR 4S SIL

W TR SIL



2008
754a.0
1 / 1



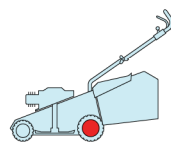
POS.	CODE	Q.TY	DESCRIZIONE	DESCRIPTION	DESCRIPTION	BESCHREIBUNG	REMARKS
421	22041957/1	1	BUSSOLA	BUSH	DOUILLE	BUCHSE	
422	22450063/0	1	MOLLA	SPRING	RESSORT	FEDER	
423	22680009/0	1	ROSETTA	WASHER	RONDELLE	SCHEIBE	
424	12154510/0	1	DADO	NUT	ECROU	MUTTER	
425	22110230/0	1	TAPPO	CAP	BOUCHON	GUMMISTOPFEN	
431	12608600/0	4	SEEGER	SEEGER	SEEGER	SEEGER	
432	22570110/1	1	PIGNONE DX	PINION R	PIGNON D	RITZEL RECHTES	
433	22600160/0	2	PROT. RUOTE	PROTECTION, WHEEL	PROTECTION ROUE	SCHÜTZ	
434	19216035/0	2	CUSCINETTO	BEARING	COUSSINET	LAGER	
435	12789000/0	2	VITE	SCREW	VIS	SCHRAUBE	
436	381002853/2	1	ASSE RUOTE POSTERIORI	AXLE, REAR WHEELS	AXE ROUES ARRIERE	ACHSE, HINTERRAD	
437	381003326/0	1	LEVA REGOLAZIONE ALTEZZA	LEVER, HEIGHT ADJUSTMENT	LEVIER REGLAGE HAUTEUR	HEBEL, HÖNEVERSTELLUNG	
438	12154330/0	2	DADO	NUT	ECROU	MUTTER	
439	122450454/0	1	MOLLA	SPRING	RESSORT	FEDER	
441	22570120/1	1	PIGNONE SX	PINION L	PIGNON G	RITZEL LINKES	
442	22753000/0	2	SPINA	PIN	GOUPILLE	STIFT	
443	81003076/0	1	GRUPPO TRAZIONE	GEAR BOX	GROUPE TRACTION	ANTRIEB	(GENERAL TRANSMISSION)
444	22601904/0	1	PULEGGIA	PULLEY	POULIE	RIEMENSCHIEBE	
445	12645705/0	1	SPINA	PIN	GOUPILLE	STIFT	
446	22033283/0	1	ASTA REGOLAZIONE	ADJUSTMENT ROD	TIGE REGLAGE	VERSTELLUNGSTANGE	(GENERAL TRANSMISSION)
447	35063902/0	1	CINGHIA Z 29.5	BELT Z 29.5	COURROIE Z 29.5	RIEMEN Z 29.5	

CAL 534

TR SIL

TR 4S SIL

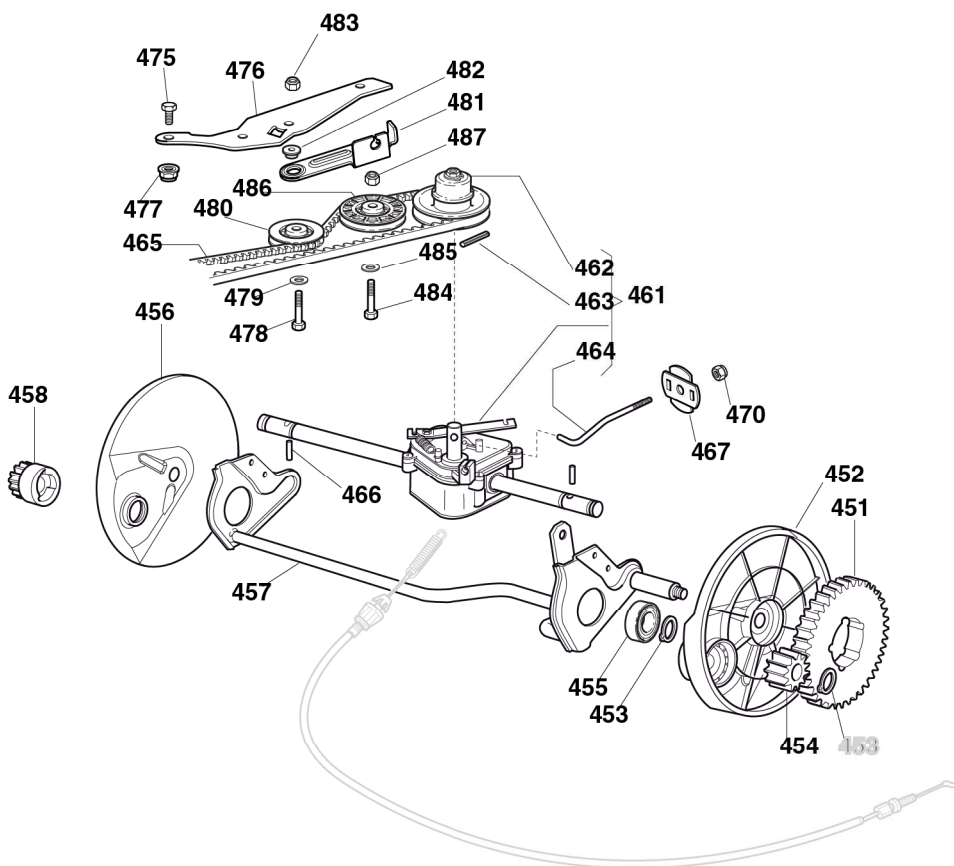
W TR SIL



2008

754b.0

1 / 2



POS.	CODE	Q.TY	DESCRIZIONE	DESCRIPTION	DESCRIPTION	BESCHREIBUNG	REMARKS
451	22120105/1	2	CORONA	RING GEAR	COURONNE	KRANZ	
452	22600093/0	1	PROT. RUOTE SX	PROTECTION, L WHEEL	PROTECTION ROUE G	SCHÜTZ, LINKES	
453	12608600/0	4	SEEGER	SEEGER	SEEGER	SEEGER	
454	22570120/1	1	PIGNONE SX	PINION L	PIGNON G	RITZEL LINKES	
455	19216035/0	2	CUSCINETTO	BEARING	COUSSINET	LAGER	
456	22600092/0	1	PROT. RUOTE DX	PROTECTION, R WHEEL	PROTECTION ROUE D	SCHÜTZ, RECHTES	
457	81000147/0	1	ASSE RUOTE POSTERIORI	AXLE, REAR WHEELS	AXE ROUES ARRIERE	ACHSE, HINTERRAD	
458	22570110/1	1	PIGNONE DX	PINION R	PIGNON D	RITZEL RECHTES	
461	81003096/1	1	GRUPPO TRAZIONE	GEAR BOX	GROUPE TRACTION	ANTRIEB	(GENERAL TRANSMISSION)
462	22601916/0	1	PULEGGIA	PULLEY	POULIE	RIEMENSCHIEBE	
463	12645700/0	1	SPINA	PIN	GOUPILLE	STIFT	
464	22033285/0	1	ASTA REGOLAZIONE	ADJUSTMENT ROD	TIGE REGLAGE	VERSTELLUNGSTANGE	(GENERAL TRANSMISSION)
465	35064010/0	1	CINGHIA SPZX 812	BELT SPZX 812	COURROIE SPZX 812	RIEMEN SPZX 812	
466	22753000/0	2	SPINA	PIN	GOUPILLE	STIFT	
467	22675113/0	2	ROSETTA	WASHER	RONDELLE	SCHEIBE	
470	12154510/0	1	DADO	NUT	ECROU	MUTTER	
475	12791011/0	1	VITE	SCREW	VIS	SCHRAUBE	
476	22806625/0	1	SUPPORTO	SUPPORT	SUPPORT	HALTER	
477	12292102/0	1	DADO	NUT	ECROU	MUTTER	

POS.	CODE	Q.Q.TY	DESCRIZIONE	DESCRIPTION	DESCRIPTION	BESCHREIBUNG	REMARKS
478	12689500/0	1	VITE	SCREW	VIS	SCHRAUBE	
479	12523050/0	1	ROSETTA	WASHER	RONDELLE	SCHEIBE	
480	22601915/0	1	PULEGGIA	PULLEY	POULIE	RIEMENSCHLEIBE	
481	22806623/0	1	SUPPORTO	SUPPORT	SUPPORT	HALTER	
482	22671656/0	1	ROSETTA	WASHER	RONDELLE	SCHEIBE	
483	12154510/0	1	DADO	NUT	ECROU	MUTTER	
484	12674700/0	1	VITE	SCREW	VIS	SCHRAUBE	
485	12523050/0	1	ROSETTA	WASHER	RONDELLE	SCHEIBE	
486	22601914/0	1	PULEGGIA	PULLEY	POULIE	RIEMENSCHLEIBE	
487	12154510/0	1	DADO	NUT	ECROU	MUTTER	

CAL 534

TR SIL

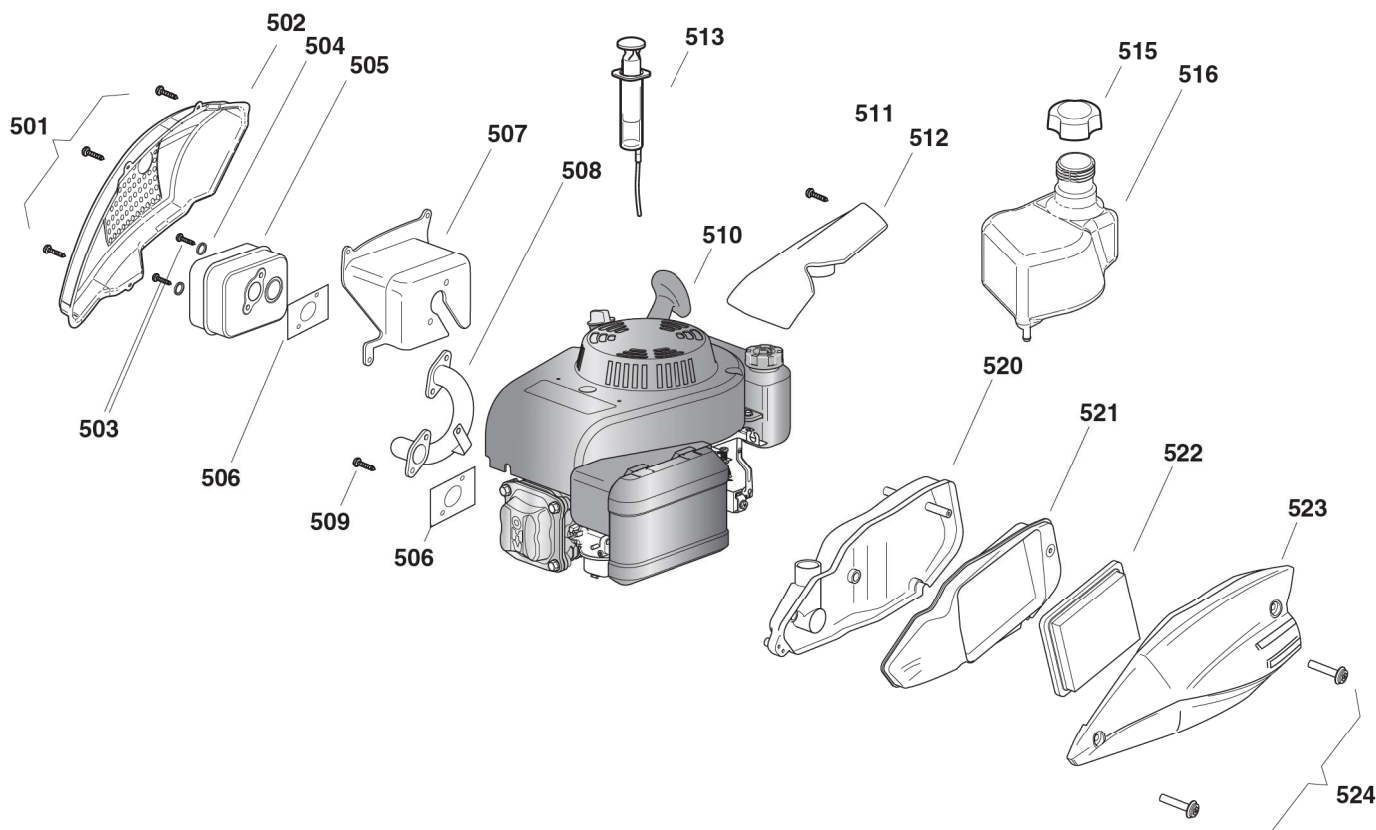
TR 4S SIL

W TR SIL

2008

755.0

1 / 1



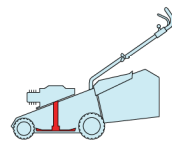
POS.	CODE	Q.TY	DESCRIZIONE	DESCRIPTION	DESCRIPTION	BESCHREIBUNG	REMARKS
501	12735111/0	3	VITE	SCREW	VIS	SCHRAUBE	
502	322601007/0	1	PROTEZIONE SILENZIA-TORE	MUFFLER PROTECTION	PROTECTION SILEN-CIEUX	AUSPUFFSCHUTZ	
503	112689590/0	2	VITE	SCREW	VIS	SCHRAUBE	
504	12582100/0	2	ROSETTA	WASHER	RONDELLE	SCHEIBE	
505	-	1	SILENZIATORE	MUFFLER	SILENCIEUX	SCHALLDÄMPFER	(SEE ENGINE SPARE PARTS LIST)
506	-	2	GUARNIZIONE SILENZIA-TORE	GASKET, MUFFLER	GARNITURE SILENCIEUX	SCHALLDÄMPFER-DICHTUNG	(SEE ENGINE SPARE PARTS LIST)
507	381750101/0	1	PROTEZIONE	GUARD	PROTECTION	SCHUTZE	
508	118738233/0	1	TUBO SCARICO	EXHAUST TUBE	TUBE ECHAPPEMENT	ABGASUNGROHR	
509	12735599/0	3	VITE	SCREW	VIS	SCHRAUBE	
510	-	1	MOTORE	ENGINE	MOTEUR	MOTOR	(SEE ENGINE SPARE PARTS LIST)
511	12728700/0	2	VITE	SCREW	VIS	SCHRAUBE	
512	322785269/0	1	COPERCHIO	COVER	COUVERCLE	DECKEL	
513	18718000/0	1	SIRINGA	SYRINGE	SERINGUE	SPRITZE	
515	27790000/1	1	TAPPO SERBATOIO	CAP	BOUCHON	TANKVERSCHLUSS	
516	322735150/0	1	SERBATOIO	TANK	RESERVOIR	TANK	
520	322785268/0	1	BASE FILTRO ARIA	AIR CLEANER BASE	BASE FILTRE AIR	LUFTFILTERBASIS	
521	322785267/0	1	COPERCHIO	COVER	COUVERCLE	DECKEL	
522	-	1	ELEMENTO FILTRANTE	AIR FILTER	ELEMENT FILTRANT	FILTERELEMENT	(SEE ENGINE SPARE PARTS LIST)
523	322109744/0	1	COPERCHIO FILTRO ARIA	AIR CLEANER COVER	COUVERCLE FILTRE AIR	LUFTFILTERDECKEL	
524	381004362/0	2	VITE	SCREW	VIS	SCHRAUBE	

CAL 534

TR SIL

TR 4S SIL

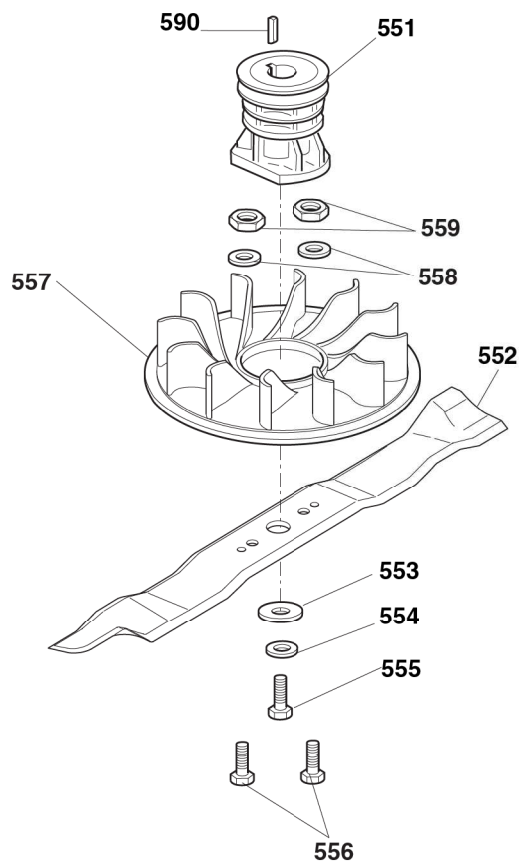
W TR SIL



2008

756.0

1 / 1



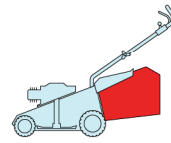
POS.	CODE	Q.TY	DESCRIZIONE	DESCRIPTION	DESCRIPTION	BESCHREIBUNG	REMARKS
551	22465607/2	1	MOZZO CON PULEGGIA, ALBERO MOTORE Ø 22.2	HUB WITH PULLEY, CRANKSHAFT Ø 22.2	MOYEU AVEC POULIE, ARBRE MOTEUR Ø 22.2	NABE MIT SCHEIBE, MOTORWELLE Ø 22.2	
552	181004394/0	1	COLTELLO	BLADE	LAME	MESSER	
553	22160400/0	1	DISCO ELASTICO	ELASTIC WASHER	RONDELLE ELASTIQUE	ELASTISCHE SCHEIBE	
554	12523080/0	1	ROSETTA	WASHER	RONDELLE	SCHEIBE	
555	12735698/0	1	VITE	SCREW	VIS	SCHRAUBE	434
556	12791400/0	2	VITE	SCREW	VIS	SCHRAUBE	434
557	322465634/0	1	MOZZO GIRANTE	HUB FAN	MOYEU VENTILATEUR	LÄUFENDENABE	484
558	12521330/0	2	ROSETTA	WASHER	RONDELLE	SCHEIBE	484
559	12154510/0	2	DADO	NUT	ECROU	MUTTER	
560	12139100/0	1	LINGUETTA, ALBERO MOTORE Ø 22.2	FEATHER, CRANKSHAFT Ø 22.2	CLAVETTE, ARBRE MOTEUR Ø 22.2	KEIL, MOTORWELLE Ø 22.2	

CAL 534

TR SIL

TR 4S SIL

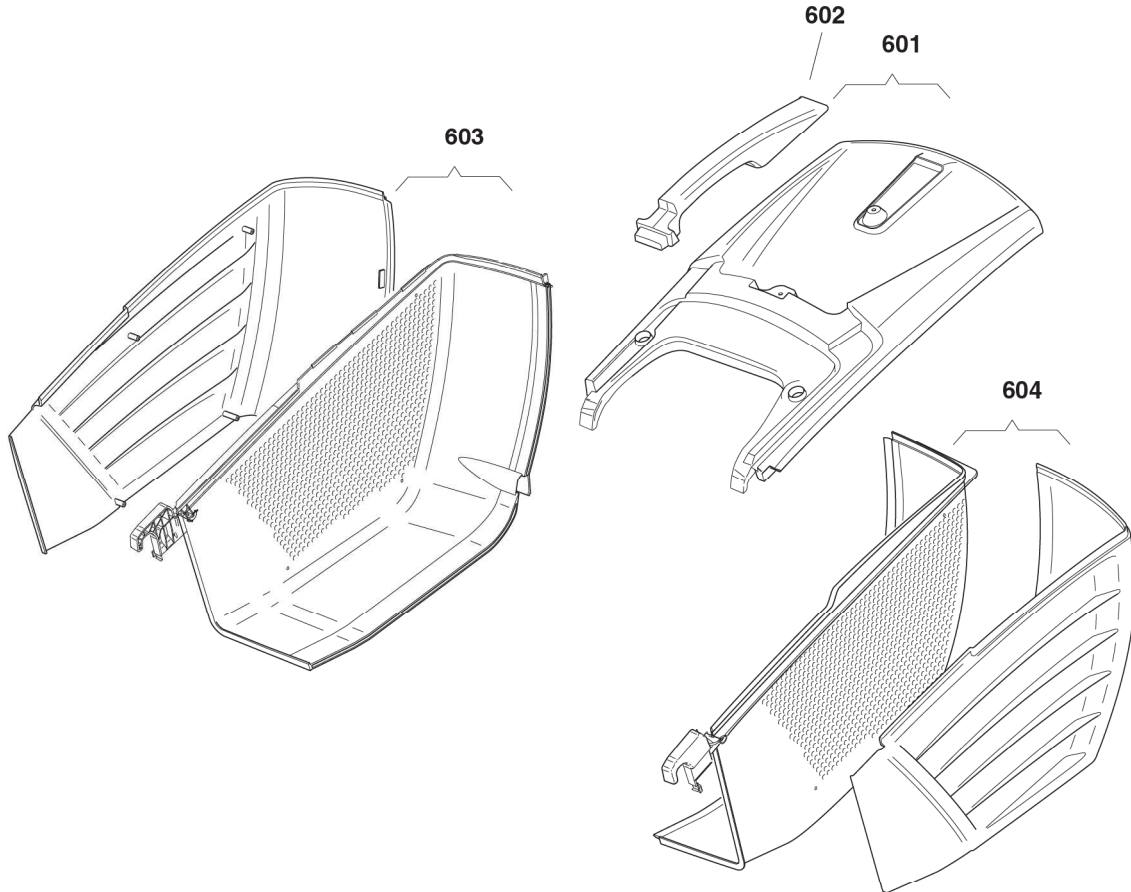
W TR SIL



2008

757.0

1 / 1



POS.	CODE	Q.TY	DESCRIZIONE	DESCRIPTION	DESCRIPTION	BESCHREIBUNG	REMARKS
601	381486000/0	1	SACCO, PARTE SUP. GRIGIO	GRASS-BOX, UPPER PART GREY	SAC, PARTIE SUP. GRIS	KORB, OBERTEIL, GRAU	
-	381486001/0	1	SACCO, PARTE SUP. NERO	GRASS-BOX, UPPER PART BLACK	SAC, PARTIE SUP. NOIR	KORB, OBERTEIL, SCHWARZ	
602	322393623/0	1	MANIGLIA, GRIGIO	HANDLE, GREY	POIGNEE, GRIS	GRIFF, GRAU	
-	322393630/0	1	MANIGLIA, NERO	HANDLE, BLACK	POIGNEE, NOIR	GRIFF, SCHWARZ	
603	381486002/0	1	PARTE INFER. SACCO DX - GRIGIO	RIGHT, GRASSBOX LOWER PART - GREY	SAC, PARTIE INFERIEURE DROITE - GRIS	KORB UNTERTEIL (R) - GRAU	
-	381486003/0	1	PARTE INFER. SACCO DX - NERO	RIGHT, GRASSBOX LOWER PART - BLACK	SAC, PARTIE INFERIEURE DROITE - NOIR	KORB UNTERTEIL (R) - SCHWARZ	
604	381486004/0	1	PARTE INFER. SACCO SX - GRIGIO	LEFT, GRASSBOX LOWER PART - GREY	SAC, PARTIE INFERIEURE GAUCHE - GRIS	KORB UNTERTEIL (L) - GRAU	
-	381486005/0	1	PARTE INFER. SACCO SX - NERO	LEFT, GRASSBOX LOWER PART - BLACK	SAC, PARTIE INFERIEURE GAUCHE - NOIR	KORB UNTERTEIL (L) - SCHWARZ	