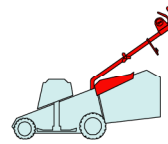


CA

CAL

430 TR

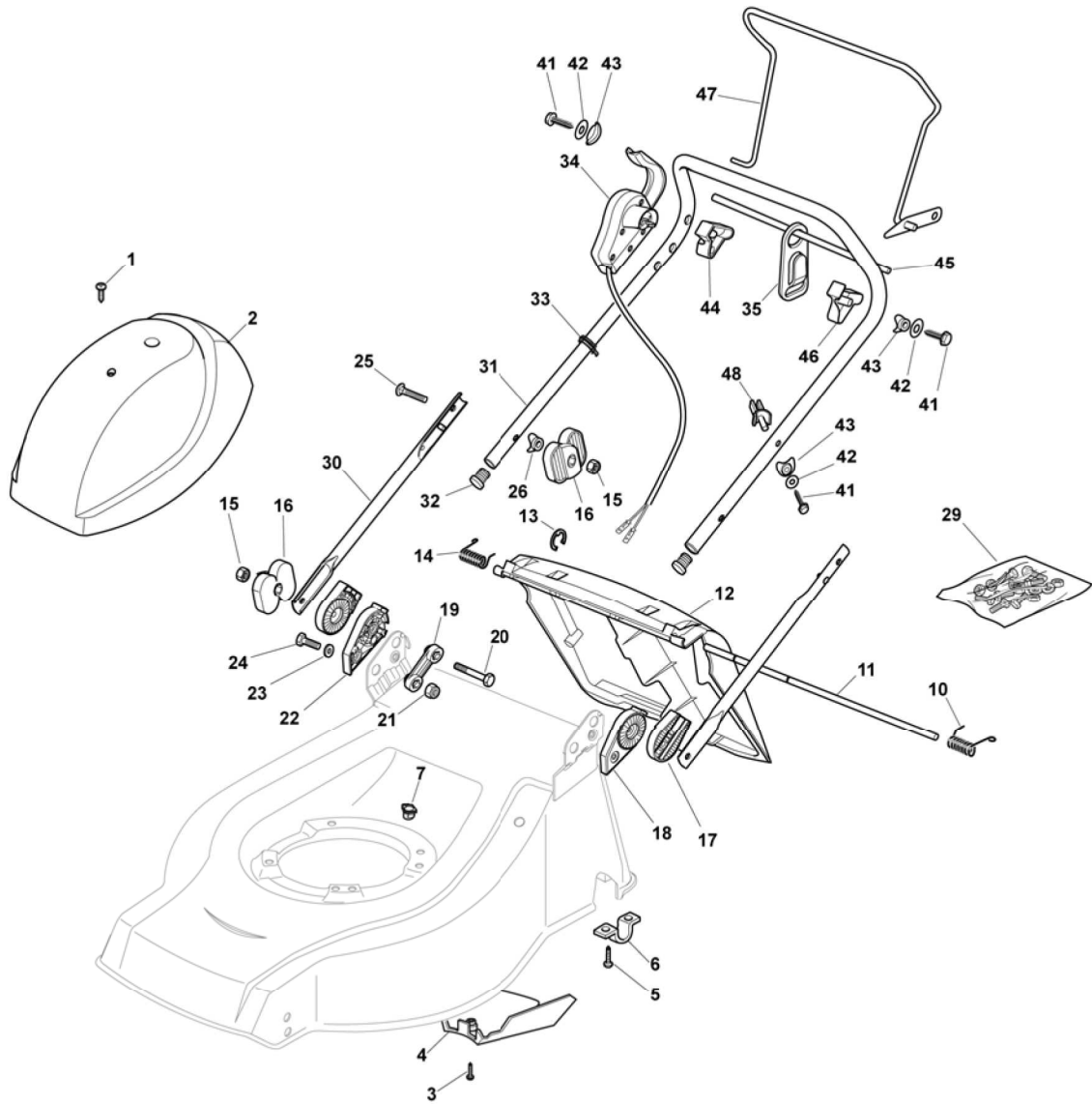
480 TR



2007

271.0

1 / 2



| POS. | CODE       | Q.TY | DESCRIZIONE      | DESCRIPTION      | DESCRIPTION          | BESCHREIBUNG   | REMARKS        |
|------|------------|------|------------------|------------------|----------------------|----------------|----------------|
| 1    | 12728680/0 | 2    | VITE             | SCREW            | VIS                  | SCHRAUBE       |                |
| 2    | 22055058/0 | 1    | CAPOTTINA        | COVER            | CAPOT                | HAUBE          |                |
| 3    | 12727791/0 | 1    | VITE             | SCREW            | VIS                  | SCHRAUBE       | (430)          |
| -    | 12728530/0 | 1    | VITE             | SCREW            | VIS                  | SCHRAUBE       | (480)          |
| 4    | 22060191/1 | 1    | CARTER CINGHIA   | PROTECTION, BELT | PROTECTION COURROIRE | SCHUTZ, RIEMEN | (430)          |
| -    | 22060195/0 | 1    | CARTER CINGHIA   | PROTECTION, BELT | PROTECTION COURROIRE | SCHUTZ, RIEMEN | (480)          |
| 5    | 12731350/0 | 4    | VITE             | SCREW            | VIS                  | SCHRAUBE       |                |
| 6    | 22545152/0 | 2    | PIASTRINA        | PLATE            | PLAQUETTE            | PLÄTTCHEN      |                |
| 7    | 22291150/0 | 1    | INSERTO IN GOMMA | RUBBER INSERT    | INSERT DE GAOUTCHOU  | GUMMI EINSATZ  | (480 MULCHING) |
| 10   | 22450420/1 | 1    | MOLLA SX         | L SPRING         | RESSORT G            | LINKE FEDER    |                |
| 11   | 22517906/1 | 1    | PERNO            | PIN              | PIVOT                | BOLZEN         |                |
| 12   | 22600063/1 | 1    | PARASASSI        | STONE-GUARD      | PARE-PIERRES         | PRALLBLECH     |                |
| 13   | 12000930/0 | 1    | ANELLO ELASTICO  | SNAP RING        | ANNEAU RESSORT       | SPRENGRING     |                |
| 14   | 22450410/1 | 1    | MOLLA DX         | R SPRING         | RESSORT D            | RECHTE FEDER   |                |
| 15   | 12293202/0 | 4    | DADO             | NUT              | ECROU                | MUTTER         |                |
| 16   | 22399803/0 | 4    | MANOPOLINA       | KNOB             | POIGNÉE              | GRIFF          |                |

| POS. | CODE       | Q.TY | DESCRIZIONE             | DESCRIPTION         | DESCRIPTION                  | BESCHREIBUNG     | REMARKS           |
|------|------------|------|-------------------------|---------------------|------------------------------|------------------|-------------------|
| 17   | 22785081/1 | 2    | SUPPORTO ESTERNO        | SUPPORT, EXTERNAL   | SUPPORT EXTERNE              | HALTER, AUßERE   |                   |
| 18   | 22785083/1 | 1    | SUPPORTO INTERNO SX     | SUPPORT, L INTERNAL | SUPPORT INTERNE G            | HALTER, INNERE L |                   |
| 19   | 22551575/0 | 2    | PIASTRINA INTERNA       | PLATE, INSIDE       | PLAQUETTE INTERNE            | PLATTE, INNERE   |                   |
| 20   | 12691810/0 | 2    | VITE                    | SCREW               | VIS                          | SCHRAUBE         |                   |
| 21   | 12155000/0 | 2    | DADO                    | NUT                 | ECROU                        | MUTTER           |                   |
| 22   | 22785082/0 | 1    | SUPPORTO INTERNO DX     | SUPPORT, R INTERNAL | SUPPORT INTERNE D            | HALTER, INNERE R |                   |
| 23   | 12521350/0 | 2    | ROSETTA                 | WASHER              | RONDELLE                     | SCHEIBE          |                   |
| 24   | 12793701/0 | 2    | VITE                    | SCREW               | VIS                          | SCHRAUBE         |                   |
| 25   | 12819125/0 | 2    | VITE                    | SCREW               | VIS                          | SCHRAUBE         |                   |
| 26   | 22680006/1 | 2    | ROSETTA                 | WASHER              | RONDELLE                     | SCHEIBE          |                   |
| 27   | 22430309/0 | 1    | MOLLA GUIDA             | GUIDE SPRING        | RESSORT DE GUIDE             | FEDER FÜHRER     |                   |
| 28   | 12154330/0 | 1    | DADO                    | NUT                 | ECROU                        | MUTTER           |                   |
| 29   | 81008632/0 | 1    | DOTAZIONE VITERIA       | OUTFIT, SCREWS      | DOTATION VISSERIE            | SATZ, SCHRAUBEN  |                   |
| 30   | 81006531/0 | 2    | MANICO, PARTE INF       | HANDLE, LOWER PART  | MANCHERON, PARTIE INFERIEURE | HOLM, UNTERTEIL  |                   |
| 31   | 81006604/0 | 1    | MANICO, PARTE SUP       | HANDLE, UPPER PART  | MANCHERON, PARTIE SUPERIEURE | HOLM, OBERTEIL   |                   |
| 32   | 18566112/0 | 2    | PUNTALE                 | CAP                 | BOUCHON                      | GUMMISTOPFEN     |                   |
| 33   | 22192000/1 | 2    | FASCETTA                | CLAMP               | COLLIER                      | BOWDENZUGHALTER  |                   |
| 34   | -          | 1    | SALVAMOTORE             | DEAD HAND SWITCH    | INT. MAIN MORTE              | TOT MANSCHALTER  | (SEE ENCLOSURE 4) |
| 35   | 22195101/4 | 1    | FERMACAVO               | FAIRLEAD            | FIXATION CABLE               | KABELBEFESTIGUNG |                   |
| 41   | 12735103/0 | 3    | VITE                    | SCREW               | VIS                          | SCHRAUBE         |                   |
| 42   | 12523040/0 | 3    | ROSETTA                 | WASHER              | RONDELLE                     | SCHEIBE          |                   |
| 43   | 22680006/1 | 3    | ROSETTA                 | WASHER              | RONDELLE                     | SCHEIBE          |                   |
| 44   | 22806518/1 | 1    | SUPPORTO DX             | SUPPORT, R          | SUPPORT D                    | HALTER, RECHTER  |                   |
| 45   | 22020320/0 | 1    | AGGANCIAMENTO FERMACAVO | FAIRLEAD BEARING    | SUPPORT SERRECABLE           | KABELHALTER      |                   |
| 46   | 22806519/1 | 1    | SUPPORTO SX             | SUPPORT, L          | SUPPORT G                    | HALTER, LINKER   |                   |
| 47   | 81001245/1 | 1    | LEVA TRAZIONE           | DRIVING LEVER       | LEVIER TRACTION              | ANTRIEBHABEL     |                   |
| 48   | 22806520/0 | 1    | SUPPORTO REGISTRO       | SUPPORT, ADJUSTER   | SUPPORT ECROU REG.           | HALTER, REGLER   |                   |

CA

CAL

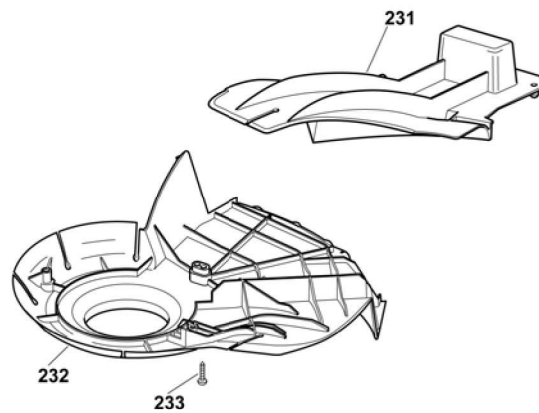
430 TR

480 TR

2007

271a.0

1 / 1



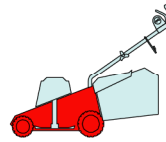
| POS. | CODE       | Q.TY | DESCRIZIONE | DESCRIPTION | DESCRIPTION | BESCHREIBUNG | REMARKS |
|------|------------|------|-------------|-------------|-------------|--------------|---------|
| 231  | 22140223/0 | 1    | DEFLETTORE  | DEFLECTOR   | DEFLECTEUR  | DEFLEKTOR    | (480)   |
| 232  | 22060199/0 | 1    | CARTER      | PROTECTION  | PROTECTION  | SCHUTZ       | (480)   |
| 233  | 12728530/0 | 3    | VITE        | SCREW       | VIS         | SCHRAUBE     | (480)   |

CA

CAL

430 TR

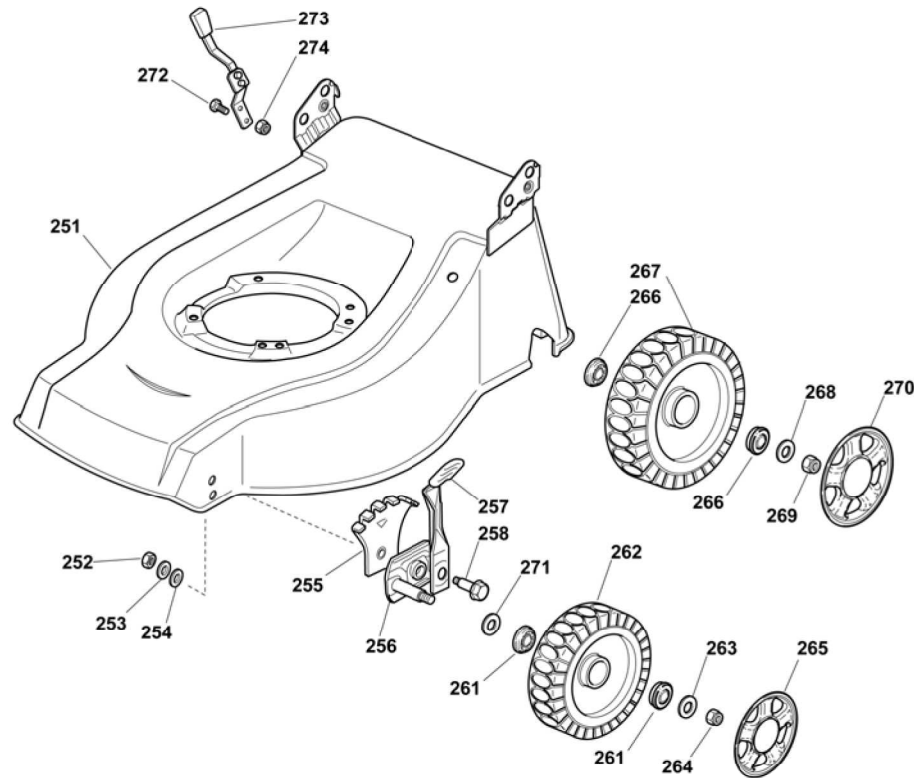
480 TR



2007

272.0

1 / 1



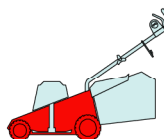
| POS. | CODE       | Q.TY | DESCRIZIONE                 | DESCRIPTION               | DESCRIPTION             | BESCHREIBUNG            | REMARKS           |
|------|------------|------|-----------------------------|---------------------------|-------------------------|-------------------------|-------------------|
| 251  | 81001895/0 | 1    | CHASSIS ROSSO               | DECK RED                  | CHÂSSIS ROUGE           | GEHÄUSE ROT             | (430)             |
| -    | 81001800/1 | 1    | CHASSIS ROSSO               | DECK RED                  | CHÂSSIS ROUGE           | GEHÄUSE ROT             | (480)             |
| 252  | 12293200/0 | 2    | DADO                        | NUT                       | ECROU                   | MUTTER                  |                   |
| 253  | 12583500/0 | 2    | GROWER                      | GROWER                    | GROWER                  | FEDERRING               |                   |
| 254  | 12523070/0 | 2    | ROSETTA                     | WASHER                    | RONDELLE                | SCHEIBE                 |                   |
| 255  | 22735547/0 | 2    | SETTORE REGOLAZIONE ALTEZZA | SECTOR, HEIGHT ADJUSTMENT | SECTEUR REGLAGE HAUTEUR | SEKTOR, HÖHEVERSTELLUNG |                   |
| 256  | 81005082/0 | 2    | SUPPORTO RUOTA              | SUPPORT, WHEEL            | SUPPORT ROUE            | HALTER, RAD             |                   |
| 257  | 81003285/1 | 2    | LEVA REGOLAZIONE ALTEZZA    | LEVER, HEIGHT ADJUSTMENT  | LEVIER REGLAGE HAUTEUR  | HEBEL, HÖNEVERSTELLUNG  |                   |
| 258  | 22519811/0 | 2    | PERNO                       | PIN                       | PIVOT                   | BOLZEN                  |                   |
| 261  | 22122200/0 | 4    | CUSCINETTO                  | BEARING                   | COUSSINET               | LAGER                   |                   |
| 262  | 81007336/0 | 2    | RUOTA SCOLPITA Ø 170        | WHEEL, KNOBBLY Ø 170      | ROUE SCULPTEE Ø 170     | RAD M. STOLLENPR. Ø 170 |                   |
| 263  | 12521350/0 | 2    | ROSETTA                     | WASHER                    | RONDELLE                | SCHEIBE                 |                   |
| 264  | 12155000/0 | 2    | DADO                        | NUT                       | ECROU                   | MUTTER                  |                   |
| 265  | ---        | 2    | COPRIMOZZO                  | HUB CAP                   | COUVRE-MOYEU            | RADKAPPE                | (SEE ENCLOSURE 1) |
| 266  | 22122200/0 | 4    | CUSCINETTO                  | BEARING                   | COUSSINET               | LAGER                   |                   |
| 267  | 81007337/0 | 2    | RUOTA SCOLPITA Ø 210        | WHEEL, KNOBBLY Ø 210      | ROUE SCULPTEE Ø 210     | RAD M. STOLLENPR. Ø 210 |                   |
| 268  | 12369500/0 | 2    | DISCO ELASTICO              | ELASTIC WASHER            | DISQUE ELASTIQUE        | FEDERSCHEIBE            |                   |
| 269  | 12155000/0 | 2    | DADO                        | NUT                       | ECROU                   | MUTTER                  |                   |
| 270  | ---        | 2    | COPRIMOZZO                  | HUB CAP                   | COUVRE-MOYEU            | RADKAPPE                | (SEE ENCLOSURE 2) |
| 271  | 12530150/0 | 2    | ROSETTA ELASTICA            | SPRING WASHER             | RONDELLE ELASTIQUE      | ELASTISCHE SCHEIBE      |                   |
| 272  | 12789000/0 | 2    | VITE                        | SCREW                     | VIS                     | SCHRAUBE                |                   |
| 273  | 81003279/2 | 1    | LEVA REGOLAZIONE ALTEZZA    | LEVER, HEIGHT ADJUSTMENT  | LEVIER REGLAGE HAUTEUR  | HEBEL, HÖNEVERSTELLUNG  |                   |
| 274  | 12154330/0 | 2    | DADO                        | NUT                       | ECROU                   | MUTTER                  |                   |

CA

CAL

430 TR

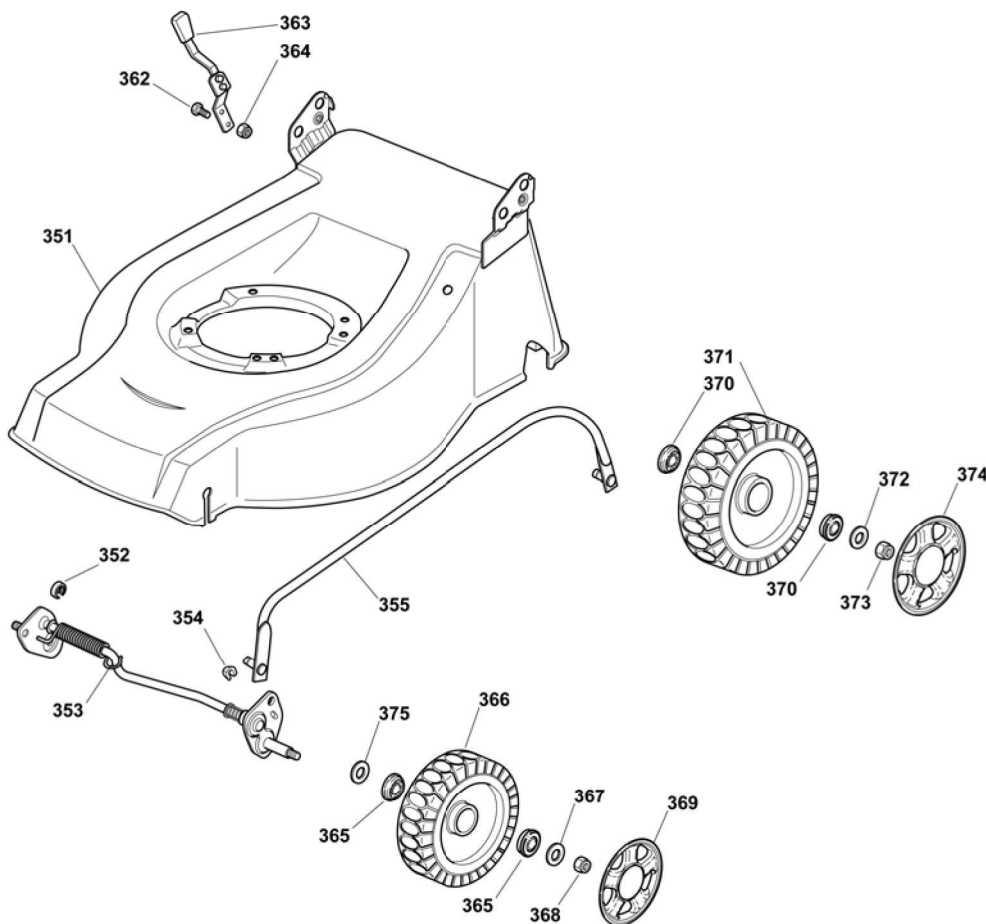
480 TR



2007

272a.0

1 / 1



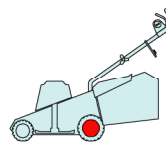
| POS. | CODE       | Q.TY | DESCRIZIONE                 | DESCRIPTION                    | DESCRIPTION                   | BESCHREIBUNG            | REMARKS           |
|------|------------|------|-----------------------------|--------------------------------|-------------------------------|-------------------------|-------------------|
| 351  | 81001901/0 | 1    | CHASSIS ROSSO               | DECK RED                       | CHÂSSIS ROUGE                 | GEHÄUSE ROT             | (430)             |
| -    | 81001815/1 | 1    | CHASSIS ROSSO               | DECK RED                       | CHÂSSIS ROUGE                 | GEHÄUSE ROT             | (480)             |
| 352  | 22171002/0 | 1    | DISTANZIALE                 | SPACER                         | ENTRETOISE                    | DISTANZRING             |                   |
| -    | 12436050/0 | 2    | PIASTRINA                   | PLATE                          | PLAQUETTE                     | PLÄTTCHEN               |                   |
| 353  | 81000145/1 | 1    | ASSE RUOTE ANTERIORI        | AXLE, FRONT WHEELS             | AXE ROUES AVANT               | ACHSE, VORDERRAD        | (430)             |
| -    | 81000141/1 | 1    | ASSE RUOTE ANTERIORI        | AXLE, FRONT WHEELS             | AXE ROUES AVANT               | ACHSE, VORDERRAD        | (480)             |
| 355  | 81006485/0 | 1    | ASTA COMANDO REGOL. ALTEZZA | ROD, HEIGHT ADJUSTMENT CONTROL | TIGE COMMANDE REGLAGE HAUTEUR | STANGE, HÖHEVERSTELLUNG | (430)             |
| -    | 81006481/1 | 1    | ASTA COMANDO REGOL. ALTEZZA | ROD, HEIGHT ADJUSTMENT CONTROL | TIGE COMMANDE REGLAGE HAUTEUR | STANGE, HÖHEVERSTELLUNG | (480)             |
| 362  | 12789000/0 | 2    | VITE                        | SCREW                          | VIS                           | SCHRAUBE                |                   |
| 363  | 81003283/1 | 1    | LEVA REGOLAZIONE ALTEZZA    | LEVER, HEIGHT ADJUSTMENT       | LEVIER REGLAGE HAUTEUR        | HEBEL, HÖNEVERSTELLUNG  |                   |
| 364  | 12154320/0 | 2    | DADO                        | NUT                            | ECROU                         | MUTTER                  |                   |
| 365  | 22122200/0 | 4    | CUSCINETTO                  | BEARING                        | COUSSINET                     | LAGER                   |                   |
| 366  | 81007336/0 | 2    | RUOTA SCOLPITA Ø 170        | WHEEL, KNOBBLY Ø 170           | ROUE SCULPTEE Ø 170           | RAD M. STOLLENPR. Ø 170 |                   |
| 367  | 12521350/0 | 2    | ROSETTA                     | WASHER                         | RONDELLE                      | SCHEIBE                 |                   |
| 368  | 12155000/0 | 2    | DADO                        | NUT                            | ECROU                         | MUTTER                  |                   |
| 369  | -          | 2    | SALVAMOTORE                 | DEAD HAND SWITCH               | INT. MAIN MORTE               | TOT MANSCHALTER         | (SEE ENCLOSURE 1) |
| 370  | 22122200/0 | 4    | CUSCINETTO                  | BEARING                        | COUSSINET                     | LAGER                   |                   |
| 371  | 81007337/0 | 2    | RUOTA SCOLPITA Ø 210        | WHEEL, KNOBBLY Ø 210           | ROUE SCULPTEE Ø 210           | RAD M. STOLLENPR. Ø 210 |                   |
| 372  | 12521350/0 | 2    | ROSETTA                     | WASHER                         | RONDELLE                      | SCHEIBE                 |                   |
| 373  | 12155000/0 | 2    | DADO                        | NUT                            | ECROU                         | MUTTER                  |                   |
| 374  | -          | 2    | SALVAMOTORE                 | DEAD HAND SWITCH               | INT. MAIN MORTE               | TOT MANSCHALTER         | (SEE ENCLOSURE 2) |
| 375  | 12530150/0 | 2    | ROSETTA ELASTICA            | SPRING WASHER                  | RONDELLE ELASTIQUE            | ELASTISCHE SCHEIBE      |                   |

CA

CAL

430 TR

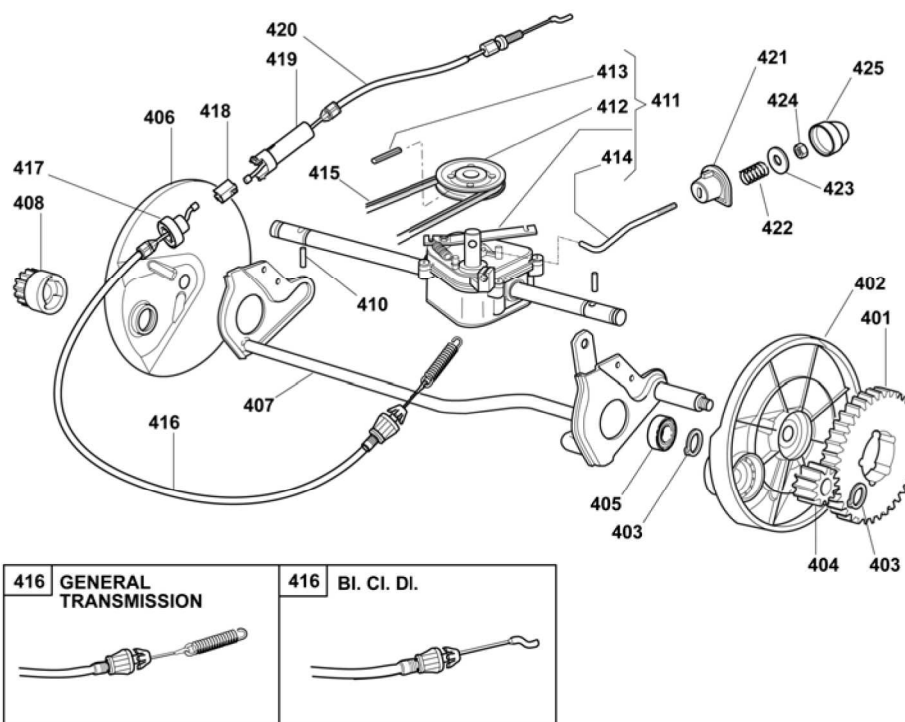
480 TR



2007

273.0

1 / 2



| POS. | CODE       | Q.TY | DESCRIZIONE               | DESCRIPTION             | DESCRIPTION                         | BESCHREIBUNG          | REMARKS                |
|------|------------|------|---------------------------|-------------------------|-------------------------------------|-----------------------|------------------------|
| 401  | 22120105/1 | 2    | CORONA                    | RING GEAR               | COURONNE                            | KRANZ                 |                        |
| 402  | 22600093/0 | 1    | PROT. RUOTE SX            | PROTECTION, L WHEEL     | PROTECTION ROUE G                   | SCHÜTZ, LINKES RÄDER  |                        |
| 403  | 12608600/0 | 4    | SEEGER                    | SEEGER                  | SEEGER                              | SEEGER                |                        |
| 404  | 22570120/1 | 1    | PIGNONE SX                | PINION L                | PIGNON G                            | RITZEL LINKES         |                        |
| 405  | 19216035/0 | 2    | CUSCINETTO                | BEARING                 | COUSSINET                           | LAGER                 |                        |
| 406  | 22600092/0 | 1    | PROT. RUOTE DX            | PROTECTION, R WHEEL     | PROTECTION ROUE D                   | SCHÜTZ, RECHTES RÄDER |                        |
| 407  | 81000147/0 | 1    | ASSE RUOTE POSTERIORI     | AXLE, REAR WHEELS       | AXE ROUES ARRIERE                   | ACHSE, HINTERRAD      |                        |
| 408  | 22570110/1 | 1    | PIGNONE DX                | PINION R                | PIGNON D                            | RITZEL RECHTES        |                        |
| 410  | 22753000/0 | 2    | SPINA                     | PIN                     | GOUPILLE                            | STIFT                 |                        |
| 411  | 81003081/1 | 1    | GRUPPO TRAZIONE (GRIGIO)  | GEAR BOX (GREY)         | GROUPE TRACTION (GRIS)              | ANTRIEB (GRAU)        | (BI. CI. DI.)          |
| -    | 81003076/0 | 1    | GRUPPO TRAZIONE           | GEAR BOX                | GROUPE TRACTION                     | ANTRIEB               | (GENERAL TRANSMISSION) |
| 412  | 22601904/0 | 1    | PULEGGIA                  | PULLEY                  | POULIE                              | RIEMENSCHIEBE         |                        |
| 413  | 12645705/0 | 1    | SPINA                     | PIN                     | GOUPILLE                            | STIFT                 |                        |
| 414  | 22033280/0 | 1    | ASTA REGOLAZIONE          | ADJUSTMENT ROD          | TIGE REGLAGE                        | VERSTELLUNGSTANGE     | (BI. CI. DI.)          |
| -    | 22033283/0 | 1    | ASTA REGOLAZIONE          | ADJUSTMENT ROD          | TIGE REGLAGE                        | VERSTELLUNGSTANGE     | (GENERAL TRANSMISSION) |
| 415  | 35063710/0 | 1    | CINGHIA Z 25              | BELT Z 25               | COURROIE Z 25                       | RIEMEN Z 25           | (430)                  |
| -    | 35063800/0 | 1    | CINGHIA Z 27              | BELT Z 27               | COURROIE Z 27                       | RIEMEN Z 27           | (480)                  |
| 416  | 81000676/0 | 1    | CAVO COMANDO TRAZIONE INF | CABLE, REAR DRIVE LOWER | CÂBLE, COMMANDE TRACTION INFÉRIEURE | KABEL, ANTRIEB UNTER  | (BI. CI. DI.)          |
| -    | 81000671/0 | 1    | CAVO COMANDO TRAZIONE INF | CABLE, REAR DRIVE LOWER | CÂBLE, COMMANDE TRACTION INFÉRIEURE | KABEL, ANTRIEB UNTER  | (GENERAL TRANSMISSION) |
| 417  | 22246031/0 | 1    | GIUNZIONE INF             | LOWER JOINT             | CONNECTION INF                      | VERBINDUNG OBEN       |                        |
| 418  | 22042040/0 | 1    | BUSSOLA ISOLAMENTO        | ISOLATION COMPASS       | BOUSSOLE DE ISOLEMENT               | ABSONDERUNG KOMPAS    |                        |
| 419  | 22246030/0 | 1    | GIUNZIONE SUP             | UPPER JOINT             | CONNECTION SUP                      | VERBINDUNG UNTER      |                        |
| 420  | 81001150/0 | 1    | CAVO COMANDO TRAZIONE SUP | CABLE, REAR DRIVE UPPER | CÂBLE, COMMANDE TRACTION SUPÉRIEURE | KABEL, ANTRIEB OBER   |                        |
| 421  | 22041957/1 | 1    | BUSSOLA                   | BUSH                    | DOUILLE                             | BUCHSE                |                        |

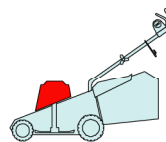
| POS. | CODE       | Q.TY | DESCRIZIONE | DESCRIPTION | DESCRIPTION | BESCHREIBUNG | REMARKS |
|------|------------|------|-------------|-------------|-------------|--------------|---------|
| 422  | 22450063/0 | 1    | MOLLA       | SPRING      | RESSORT     | FEDER        |         |
| 423  | 22680009/0 | 1    | ROSETTA     | WASHER      | RONDELLE    | SCHEIBE      |         |
| 424  | 12154510/0 | 1    | DADO        | NUT         | ECROU       | MUTTER       |         |
| 425  | 22110230/0 | 1    | TAPPO       | CAP         | BOUCHON     | GUMMISTOPFEN |         |

CA

CAL

430 TR

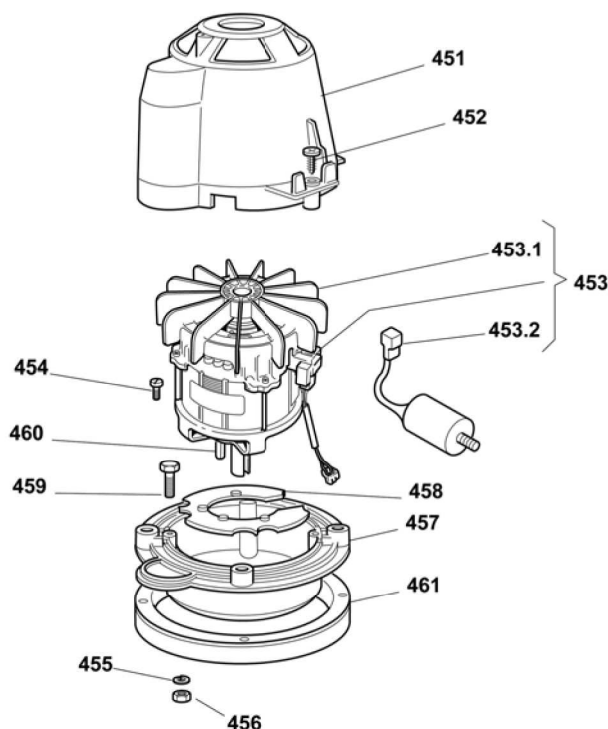
480 TR



2007

274.0

1 / 1



| POS.  | CODE       | Q.TY | DESCRIZIONE            | DESCRIPTION        | DESCRIPTION            | BESCHREIBUNG      | REMARKS      |
|-------|------------|------|------------------------|--------------------|------------------------|-------------------|--------------|
| 451   | 22785210/0 | 1    | SUPPORTO CAPOTTINA     | SUPPORT, COVER     | SUPPORT CAPOT          | HALTER, HAUBE     |              |
| 452   | 12728710/0 | 4    | VITE                   | SCREW              | VIS                    | SCHRAUBE          |              |
| 453   | 18563641/0 | 1    | MOTORE ATB             | MOTOR ATB          | MOTEUR ATB             | MOTOR ATB         | 230V (1800W) |
| 453.1 | 18740054/0 | 1    | VENTOLA PER MOTORE ATB | FAN MOTOR ATB      | VENTILATEUR MOTEUR ATB | LÜFTER MOTOR ATB  |              |
| 453.2 | 18222039/0 | 1    | CONDENSATORE 25 µF     | CONDENSER 25 µF    | CONDENSEUR 25 µF       | KONDENSATOR 25 µF | (ATB)        |
| 454   | 12735410/0 | 4    | VITE                   | SCREW              | VIS                    | SCHRAUBE          |              |
| 455   | 12583500/0 | 4    | GROWER                 | GROWER             | GROWER                 | FEDERRING         |              |
| 456   | 12293200/0 | 4    | DADO                   | NUT                | ECROU                  | MUTTER            |              |
| 457   | 22207211/3 | 1    | FLANGIA                | FLANGE             | BRIDE                  | FLANSCH           |              |
| 458   | 22720360/1 | 1    | SCHERMO VENTILAZIONE   | VENTILATION SCREEN | ECRAN VENTILATION      | LÜFTUNGSSCHIRM    |              |
| 459   | 12691800/0 | 4    | VITE                   | SCREW              | VIS                    | SCHRAUBE          |              |
| 460   | 12139440/0 | 1    | LINGUETTA              | FEATHER            | CLAVETTE               | KEIL              |              |
| 461   | 22170960/1 | 1    | DISTANZIALE            | SPACER             | ENTRETOISE             | DISTANZRING       |              |

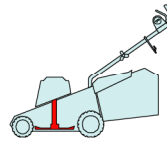


CA

CAL

430 TR

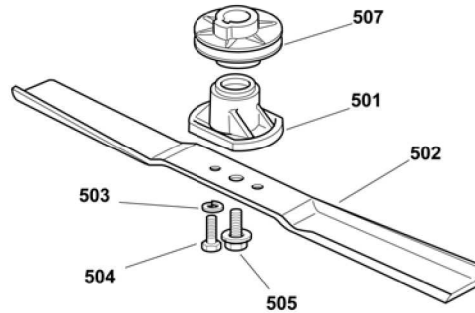
480 TR



2007

275.0

1 / 1



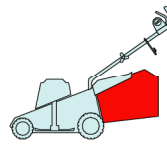
| POS. | CODE       | Q.TY | DESCRIZIONE       | DESCRIPTION    | DESCRIPTION   | BESCHREIBUNG    | REMARKS |
|------|------------|------|-------------------|----------------|---------------|-----------------|---------|
| 501  | 22463186/2 | 1    | MOZZO             | HUB            | MOYEU         | HALTER          |         |
| 502  | 81004396/0 | 1    | COLTELLO ALETTATO | BLADE WINGED   | LAME AILETTÉE | MESSER FLÜGEL   | (430)   |
| -    | 81004341/3 | 1    | COLTELLO STANDARD | BLADE STANDARD | LAME STANDARD | MESSER STANDARD | (430)   |
| -    | 81004397/0 | 1    | COLTELLO ALETTATO | BLADE WINGED   | LAME AILETTÉE | MESSER FLÜGEL   | (480)   |
| -    | 81004346/3 | 1    | COLTELLO STANDARD | BLADE STANDARD | LAME STANDARD | MESSER STANDARD | (480)   |
| 503  | 12583500/0 | 2    | GROWER            | GROWER         | GROWER        | FEDERRING       |         |
| 504  | 12793101/0 | 2    | VITE              | SCREW          | VIS           | SCHRAUBE        |         |
| 505  | 81004352/0 | 1    | VITE              | SCREW          | VIS           | SCHRAUBE        |         |
| 507  | 22601911/1 | 1    | PULEGGIA          | PULLEY         | POULIE        | RIEMENSCHLEIBE  |         |

CA

CAL

430 TR

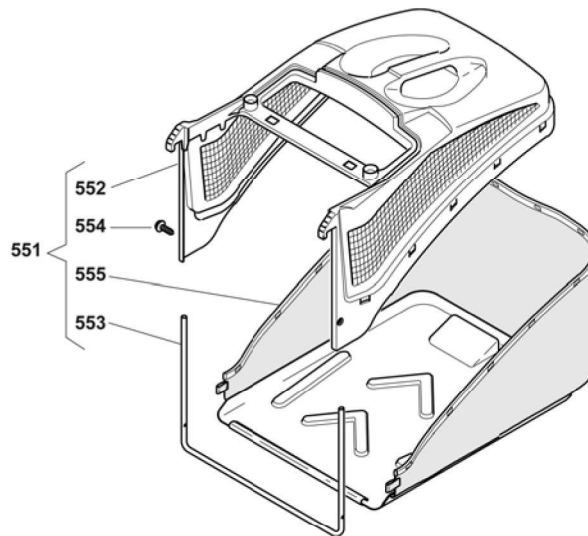
480 TR



2007

276.0

1 / 1



| POS. | CODE       | Q.TY | DESCRIZIONE      | DESCRIPTION            | DESCRIPTION            | BESCHREIBUNG       | REMARKS |
|------|------------|------|------------------|------------------------|------------------------|--------------------|---------|
| 551  | 91000010/1 | 1    | SACCO, COMPLETO  | GRASSCATCHER, COMPLETE | SAC, COMPLETE          | SACK, KOMPLETTE    |         |
| 552  | 22486093/0 | 1    | SACCO, PARTE SUP | GRASS-BOX, UPPER PART  | SAC, PARTIE SUPERIEURE | KORB, OBERTEIL     |         |
| 553  | 22608523/0 | 1    | RINFORZO INF     | STIFFENING LOWER       | RÉNFORCEMENT INF       | VERSTÄRKUNG UNTERE |         |
| 554  | 12728445/0 | 2    | VITE             | SCREW                  | VIS                    | SCHRAUBE           |         |
| 555  | 81002195/0 | 1    | SACCO, TELA      | BOX, FABRIC            | SAC, TOILE             | SACK, TUCK         |         |