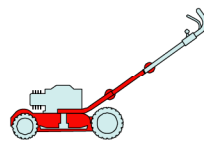


MC 534

TR

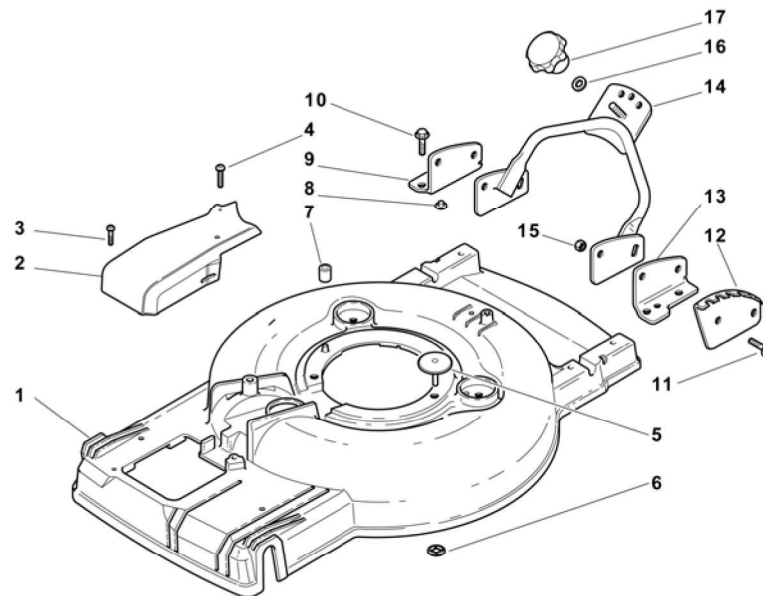
TR/E



2007

941.0

1 / 1

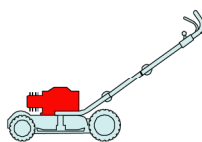


POS.	CODE	Q.TY	DESCRIZIONE	DESCRIPTION	DESCRIPTION	BESCHREIBUNG	REMARKS
1	81002672/0	1	CHASSIS GRIGIO	DECK GREY	CHÂSSIS GRIS	GEHÄUSE GRAU	
2	22060216/0	1	CARTER CINGHIA	PROTECTION, BELT	PROTECTION COURROIRE	SCHUTZ, RIEMEN	
3	12735657/0	2	VITE	SCREW	VIS	SCHRAUBE	
4	12735651/0	1	VITE	SCREW	VIS	SCHRAUBE	
5	22820055/0	2	TAPPO	CAP	BOUCHON	GUMMISTOPFEN	
6	12604899/0	2	FISSATORE A CORONA	CROWN FASTENER	FIXATEUR A COURONNE	KRONESCHEIBE	
7	22250013/0	1	GOMMINO	GROMMET	PROCTECION	SCHUTZ	
8	22820054/0	2	TAPPO	CAP	BOUCHON	GUMMISTOPFEN	
9	22778417/0	1	STAFFA DX	BRACKET, R	BRIDE D	PRATZE, RECHTE	
10	12735595/0	4	VITE	SCREW	VIS	SCHRAUBE	
11	12800815/0	4	VITE	SCREW	VIS	SCHRAUBE	
12	22735569/0	1	SETTORE REGOLAZIONE ALTEZZA	SECTOR, HEIGHT ADJUSTMENT	SECTEUR REGLAGE HAUTEUR	SEKTOR, HÖHEVERSTELLUNG	
13	22778415/0	1	STAFFA SX	BRACKET, L	BRIDE G	PRATZE, LINKE	
14	81006361/0	1	MANICO, PARTE INF GIALLO	HANDLE, LOWER PART YELLOW	MANCHERON, PARTIE INFERIEURE JAUNE	HOLM, UNTERTEIL GELB	
-	81006365/0	1	MANICO, PARTE INF NERO	HANDLE, LOWER PART BLACK	MANCHERON, PARTIE INFERIEURE NOIR	HOLM, UNTERTEIL SCHWARZ	
15	12293200/0	4	DADO	NUT	ECROU	MUTTER	
16	12523080/0	1	ROSETTA	WASHER	RONDELLE	SCHEIBE	
17	22399813/0	1	MANOPOLINA	KNOB	POIGNÉE	GRIFF	

MC 534

TR

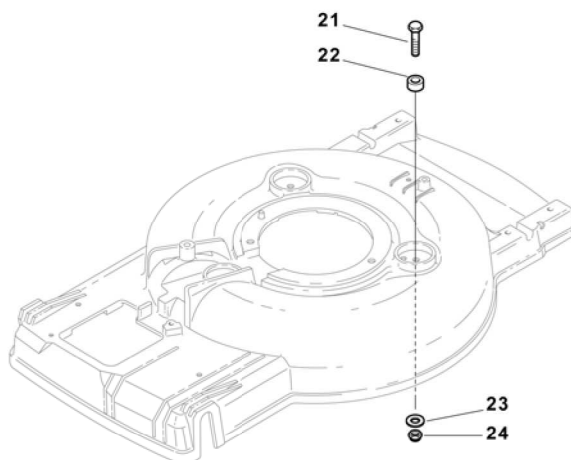
TR/E



2007

941a.0

1 / 1

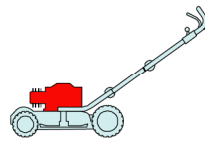


POS.	CODE	Q.TY	DESCRIZIONE	DESCRIPTION	DESCRIPTION	BESCHREIBUNG	REMARKS
21	12691800/0	2/3	VITE	SCREW	VIS	SCHRAUBE	
-	12692080/0	0/1	VITE	SCREW	VIS	SCHRAUBE	
22	22170835/0	3	DISTANZIALE	SPACER	ENTRETOISE	DISTANZRING	
23	12521350/0	3	ROSETTA	WASHER	RONDELLE	SCHEIBE	
24	12155000/0	3	DADO	NUT	ECROU	MUTTER	

MC 534

TR

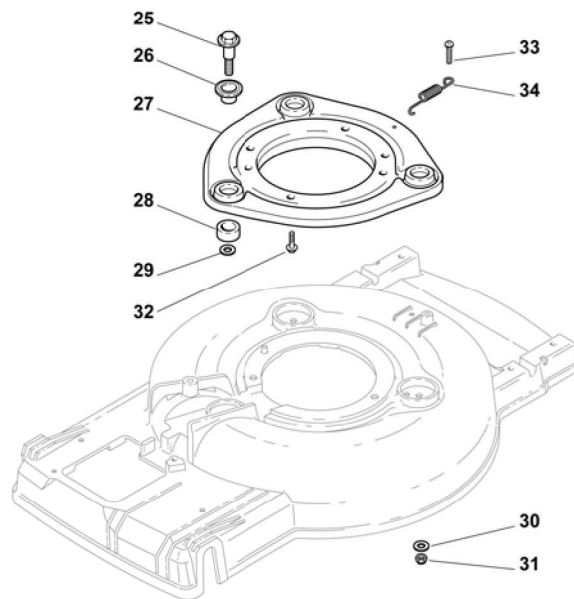
TR/E



2007

941b.0

1 / 1



POS.	CODE	Q.TY	DESCRIZIONE	DESCRIPTION	DESCRIPTION	BESCHREIBUNG	REMARKS
25	22524329/0	3	PERNO	PIN	PIVOT	BOLZEN	
26	22672201/0	3	ROSETTA	WASHER	RONDELLE	SCHEIBE	
27	81207220/0	1	FLANCIA	FLANCE	BRIDE	FLANSCH	
28	22250012/0	3	GOMMINO	GROMMET	PROCTECION	SCHUTZ	
29	22672201/0	3	ROSETTA	WASHER	RONDELLE	SCHEIBE	
30	22671651/0	3	ROSETTA	WASHER	RONDELLE	SCHEIBE	
31	12155000/0	3	DADO	NUT	ECROU	MUTTER	
32	12735108/0	3	VITE	SCREW	VIS	SCHRAUBE	
33	12791400/0	1	VITE	SCREW	VIS	SCHRAUBE	
34	22450444/0	1	MOLLA	SPRING	RESSORT	FEDER	

MC 534

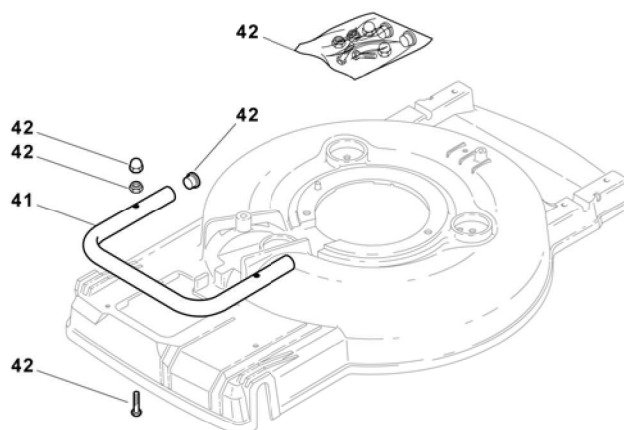
TR

TR/E

2007

941c.0

1 / 1

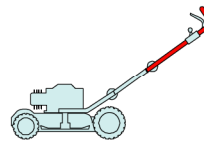


POS.	CODE	Q.TY	DESCRIZIONE	DESCRIPTION	DESCRIPTION	BESCHREIBUNG	REMARKS
41	22869713/0	1	PROTEZIONE	PROTECTION	PROTECTION	SCHUTZ	
42	81008657/0	1	DOTAZIONE VITERIA	OUTFIT, SCREWS	DOTATION VISSERIE	SATZ, SCHRAUBEN	

MC 534

TR

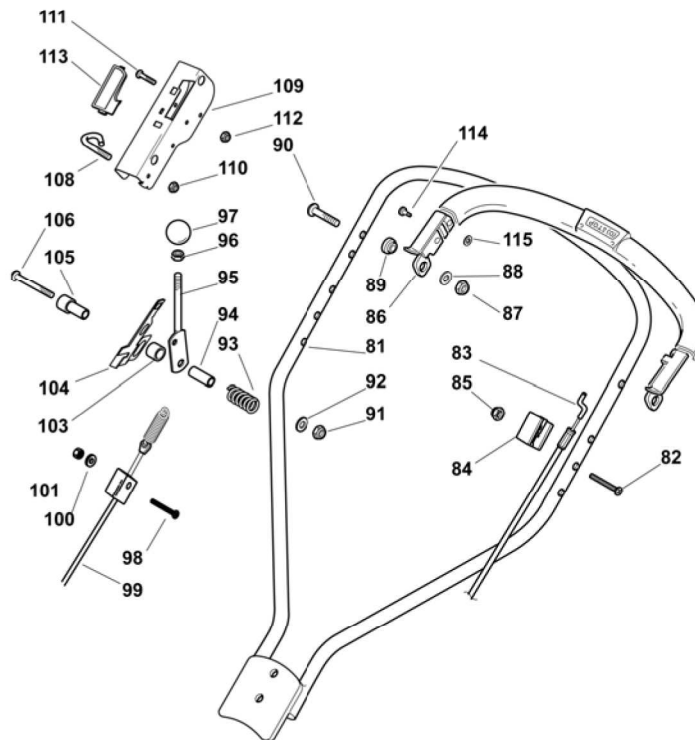
TR/E



2007

942.0

1 / 2



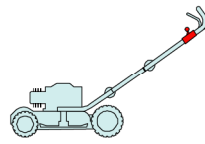
POS.	CODE	Q.TY	DESCRIZIONE	DESCRIPTION	DESCRIPTION	BESCHREIBUNG	REMARKS
81	81006363/1	1	MANICO, PARTE SUP GIALLO	HANDLE, UPPER PART YELLOW	MANCHERON, PARTIE SUPERIEURE JAUNE	HOLM, OBERTEIL, GELB	
-	81003667/0	1	MANICO, PARTE SUP NERO	HANDLE, UPPER PART BLACK	MANCHERON, PARTIE SUPERIEURE NOIR	HOLM, OBERTEIL, SCHWARZ	
82	12727783/0	1	VITE	SCREW	VIS	SCHRAUBE	
83	81000733/0	1	CAVO FRENO MOTORE	CABLE, THREAD ENG. BRAKE	CABLE FREIN MOTEUR	KABEL, MOTORBREMSE	(B&S - HONDA - GGP ENGINE SV/M 150)
-	81000729/0	1	CAVO FRENO MOTORE	CABLE, THREAD ENG. BRAKE	CABLE FREIN MOTEUR	KABEL, MOTORBREMSE	(GGP ENGINE SV200)
84	22551640/0	1	PIASTRINA	PLATE	PLAQUETTE	PLÄTTCHEN	
85	12154510/0	1	DADO	NUT	ECROU	MUTTER	
86	81003318/1	1	LEVA FRENO MOTORE	LEVER, MOTOR BRAKE	LEVIER FREIN MOTEUR	HEBEL, MOTORBREMSE	
87	12154510/0	2	DADO	NUT	ECROU	MUTTER	
88	12521330/0	2	ROSETTA	WASHER	RONDELLE	SCHEIBE	
89	22671660/1	2	ROSETTA	WASHER	RONDELLE	SCHEIBE	
90	12727784/0	2	VITE	SCREW	VIS	SCHRAUBE	
91	12292100/0	1	DADO	NUT	ECROU	MUTTER	
92	12530060/0	1	ROSETTA ELASTICA	SPRING WASHER	RONDELLE ELASTIQUE	ELASTISCHE SCHEIBE	
93	22450446/0	1	MOLLA	SPRING	RESSORT	FEDER	
94	22170840/0	1	DISTANZIALE	SPACER	ENTRETOISE	DISTANZRING	
95	81003313/0	1	LEVA TRAZIONE	DRIVING LEVER	LEVIER TRACTION	ANTRIEBHEBEL	
96	12293200/0	1	DADO	NUT	ECROU	MUTTER	
97	22399812/0	1	MANOPOLINA	KNOB	POIGNÉE	GRIFF	
98	12727791/0	1	VITE	SCREW	VIS	SCHRAUBE	
99	81000746/0	1	CAVO COMANDO TRAZIONE	CABLE, REAR DRIVE	CÂBLE, COMMANDE TRACTION	KABEL, ANTRIEB	
100	12521330/0	1	ROSETTA	WASHER	RONDELLE	SCHEIBE	
101	12154510/0	1	DADO	NUT	ECROU	MUTTER	
102	22170843/0	1	DISTANZIALE	SPACER	ENTRETOISE	DISTANZRING	

POS.	CODE	Q.TY	DESCRIZIONE	DESCRIPTION	DESCRIPTION	BESCHREIBUNG	REMARKS
103	22551653/0	1	PIASTRINA	PLATE	PLAQUETTE	PLÄTTCHEN	
105	22170842/0	1	DISTANZIALE	SPACER	ENTRETOISE	DISTANZRING	
106	12727786/0	1	VITE	SCREW	VIS	SCHRAUBE	
108	22430314/0	1	MOLLA GUIDA	GUIDE SPRING	RESSORT DE GUIDE	FEDER FÜHRER	
109	81004405/0	1	CRUSCOTTO	DASH BOARD	CONSOLE	KONSOLE	
110	12154510/0	1	DADO	NUT	ECROU	MUTTER	
111	12727792/0	1	VITE	SCREW	VIS	SCHRAUBE	
112	12154510/0	1	DADO	NUT	ECROU	MUTTER	
113	22500050/0	1	PATTINO	SHOE	BLOC DE GLISSEMENT	GLEITBLOCK	
114	22524342/0	1	PERNO	PIN	PIVOT	BOLZEN	
115	12604897/0	1	ANELLO ELASTICO	SNAP RING	ANNEAU RESSORT	SPRENGRING	

MC 534

TR

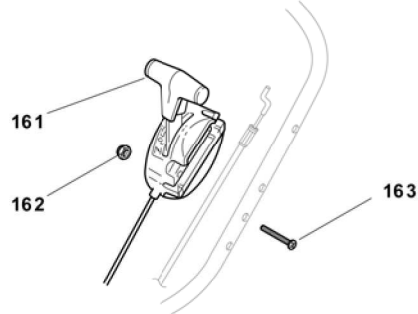
TR/E



2007

942a.0

1 / 1

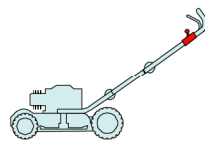


POS.	CODE	Q.TY	DESCRIZIONE	DESCRIPTION	DESCRIPTION	BESCHREIBUNG	REMARKS
161	81007130/0	1	CAVO ACCELERATORE	CABLE, TROTTLE	CABLE, ACCELERATEUR	KABLE, BESCHLEUNIGER	(HONDA)
162	12154510/0	1	DADO	NUT	ECROU	MUTTER	
163	12727786/0	1	VITE	SCREW	VIS	SCHRAUBE	

MC 534

TR

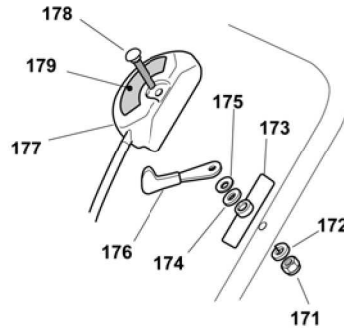
TR/E



2007

942b.0

1 / 1

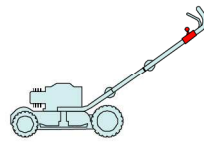


POS.	CODE	Q.TY	DESCRIZIONE	DESCRIPTION	DESCRIPTION	BESCHREIBUNG	REMARKS
171	12291000/0	1	DADO	NUT	ECROU	MUTTER	
172	12581500/0	1	GROWER	GROWER	GROWER	FEDERRING	
173	22171006/0	1	DISTANZIALE	SPACER	ENTRETOISE	DISTANZRING	
174	12521360/0	1	ROSETTA	WASHER	RONDELLE	SCHEIBE	
175	12508100/0	1	ROSETTA ELASTICA	SPRING WASHER	RONDELLE ELASTIQUE	ELASTISCHE SCHEIBE	
176	81007220/0	1	LEVA, ACCELERATORE	LEVER, THROTTLE	LEVIER, ACCELERATEUR	HEBEL, BESHLEUNIGER	(B&S CLASSIC/SPRINT/LS/LC - GGP ENGINE)
-	81007279/1	1	LEVA, ACCELERATORE	LEVER, THROTTLE	LEVIER, ACCELERATEUR	HEBEL, BESHLEUNIGER	(B&S QUANTUM - HONDA)
177	81007080/0	1	CAVO ACCELERATORE	CABLE, TROTTLE	CABLE, ACCELERATEUR	KABLE, BESHLEUNIGER	
178	12815030/0	1	VITE	SCREW	VIS	SCHRAUBE	
179	14356703/0	1	ETICHETTA	LABEL	ETIQUETTE	ETIKETTE	(B&S)
-	14361404/0	1	ETICHETTA	LABEL	ETIQUETTE	ETIKETTE	(GGP ENGINE - AVS)
-	14356702/0	1	ETICHETTA	LABEL	ETIQUETTE	ETIKETTE	(GGP ENGINE - HONDA)

MC 534

TR

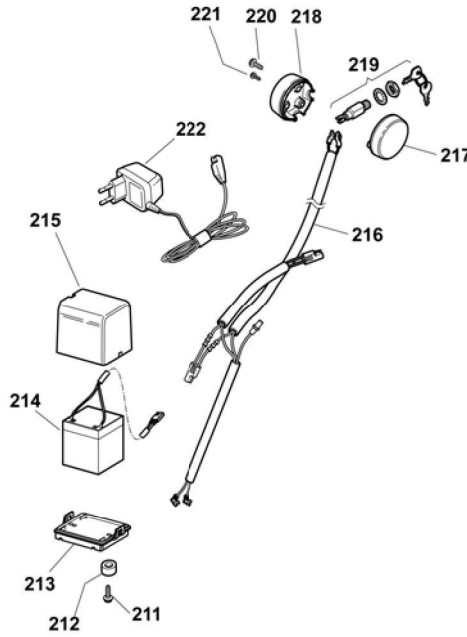
TR/E



2007

942c.0

1 / 1

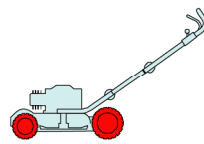


POS.	CODE	Q.TY	DESCRIZIONE	DESCRIPTION	DESCRIPTION	BESCHREIBUNG	REMARKS
211	12728535/0	2	VITE	SCREW	VIS	SCHRAUBE	
212	25160012/0	2	DISTANZIALE	SPACER	ENTRETOISE	DISTANZRING	
213	22785122/0	1	SUPPORTO BATTERIA	SUPPORT, BATTERY	SUPPORT BATTERIE	HALTER, BATTERIE	
214	18120052/0	1	BATTERIA	BATTERY	BATTERIE	BATTERIE	
215	22109530/0	1	COPERCHIO	COVER	COUVERCLE	DECKEL	
216	18204197/0	1	CAVO AVVIAMENTO	CABLE, START	CABLE DÉMARRAGE	KABEL, START	
217	22722801/0	1	PROTEZIONE SX	L PROTECTION	PROTECTION G	LINKE SCHUTZ	
218	22722800/0	1	PROTEZIONE DX	R PROTECTION	PROTECTION D	RECHTE SCHUTZ	
219	18450050/0	1	INTERRUTTORE	SWITCH	INTERRUPTEUR	SCHALTER	
220	12728300/0	2	VITE	SCREW	VIS	SCHRAUBE	
221	12728691/0	1	VITE	SCREW	VIS	SCHRAUBE	
222	18204120/0	1	CARICA BATTERIA	BATTERY CHARGER	CHARGEUR DE BATTERIE	LADGERÄT	
-	18204121/0	1	CARICA BATTERIA	BATTERY CHARGER	CHARGEUR DE BATTERIE	LADGERÄT	(UK)

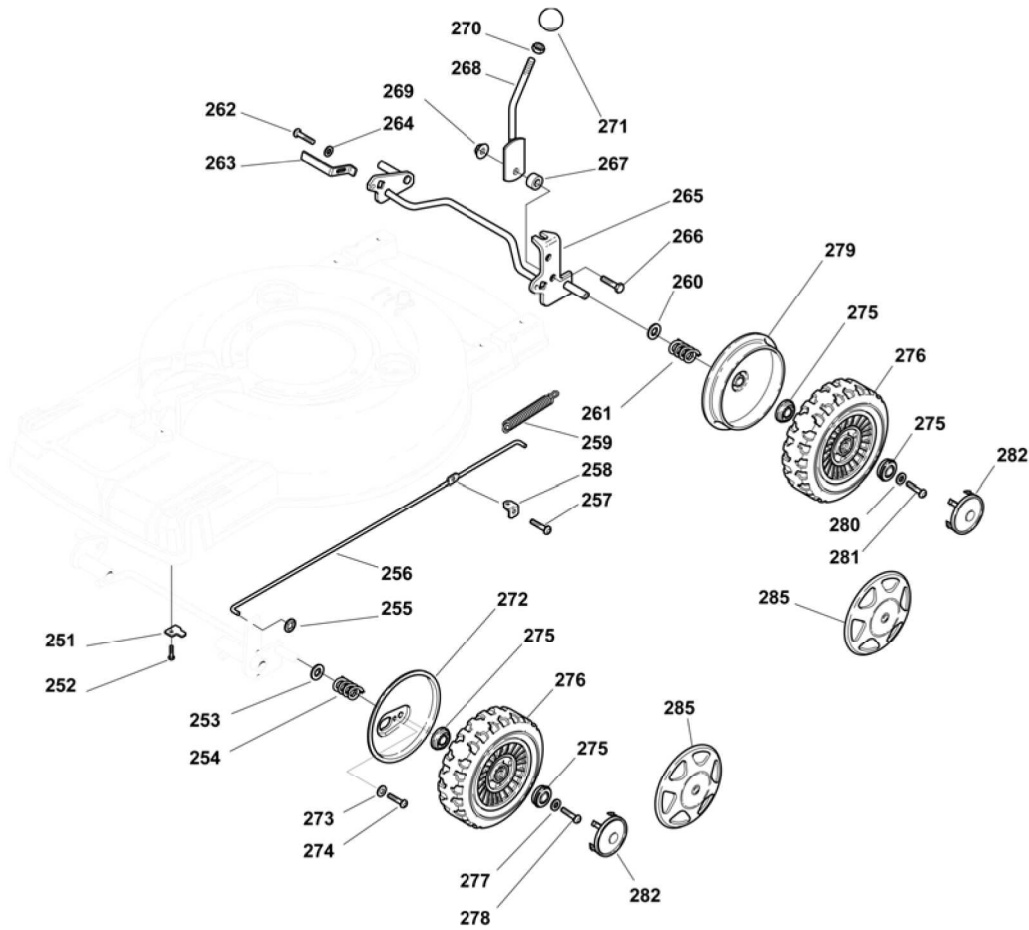
MC 534

TR

TR/E



2007
943.0
1 / 2



POS.	CODE	Q.TY	DESCRIZIONE	DESCRIPTION	DESCRIPTION	BESCHREIBUNG	REMARKS
251	22545157/0	2	PIASTRINA	PLATE	PLAQUETTE	PLÄTTCHEN	
252	12735662/0	4	VITE	SCREW	VIS	SCHRAUBE	
253	22671659/0	2	ROSETTA	WASHER	RONDELLE	SCHEIBE	
254	22430215/0	2	MOLLA	SPRING	RESSORT	FEDER	
255	12604899/0	2	FISSATORE A CORONA	CROWN FASTENER	FIXATEUR A COURONNE	KRONESCHIBE	
256	22033328/0	1	ASTA COMANDO REGOL. ALTEZZA	ROD, HEIGHT ADJUSTMENT CONTROL	TIGE COMMANDE REGLAGE HAUTEUR	STANGE, HÖHEVERSTELLUNG	
257	12735651/0	1	VITE	SCREW	VIS	SCHRAUBE	
258	22545139/0	1	PIASTRINA	PLATE	PLAQUETTE	PLÄTTCHEN	
259	22446183/0	1	MOLLA	SPRING	RESSORT	FEDER	
260	22671659/0	2	ROSETTA	WASHER	RONDELLE	SCHEIBE	
261	22430215/0	2	MOLLA	SPRING	RESSORT	FEDER	
262	12735661/0	2	VITE	SCREW	VIS	SCHRAUBE	
263	22551529/0	2	PIASTRINA	PLATE	PLAQUETTE	PLÄTTCHEN	
264	12521330/0	2	ROSETTA	WASHER	RONDELLE	SCHEIBE	
265	81002835/0	1	ASSE RUOTE POSTERIORI	AXLE, REAR WHEELS	AXE ROUES ARRIERE	ACHSE, HINTERRAD	
266	12793701/0	1	VITE	SCREW	VIS	SCHRAUBE	
267	22170830/0	1	DISTANZIALE	SPACER	ENTRETOISE	DISTANZRING	
268	81003317/0	1	LEVA REGOLAZIONE ALTEZZA	LEVER, HEIGHT ADJUSTMENT	LEVIER REGLAGE HAUTEUR	HEBEL, HÖNEVERSTELLUNG	
269	12293201/0	1	DADO	NUT	ECROU	MUTTER	
270	12293200/0	1	DADO	NUT	ECROU	MUTTER	
271	22399812/0	1	MANOPOLINA	KNOB	POIGNÉE	GRIFF	

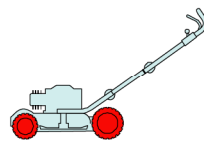


POS.	CODE	Q.TY	DESCRIZIONE	DESCRIPTION	DESCRIPTION	BESCHREIBUNG	REMARKS
272	22600121/0	2	PROT. RUOTE	PROTECTION, WHEEL	PROTECTION ROUE	SCHÜTZ, RÄDER	
273	12523040/0	2	ROSETTA	WASHER	RONDELLE	SCHEIBE	
274	12735661/0	2	VITE	SCREW	VIS	SCHRAUBE	
275	22122201/0	8	CUSCINETTO	BEARING	COUSSINET	LAGER	
276	81007361/0	4	RUOTA Ø 190	WHEEL Ø 190	ROUE Ø190	RAD Ø 190	
277	12521460/0	4	ROSETTA	WASHER	RONDELLE	SCHEIBE	
278	12735662/0	4	VITE	SCREW	VIS	SCHRAUBE	
279	22600122/0	2	PROT. RUOTE	PROTECTION, WHEEL	PROTECTION ROUE	SCHÜTZ, RÄDER	
280	12521460/0	4	ROSETTA	WASHER	RONDELLE	SCHEIBE	
281	12735662/0	4	VITE	SCREW	VIS	SCHRAUBE	
282	22110384/0	4	COPRIMOZZO	HUB CAP	COUVRE-MOYEU	RADKAPPE	
285	---	4	COPRIMOZZO	HUB CAP	COUVRE-MOYEU	RADKAPPE	(SEE ENCLOSURE 2)

MC 534

TR

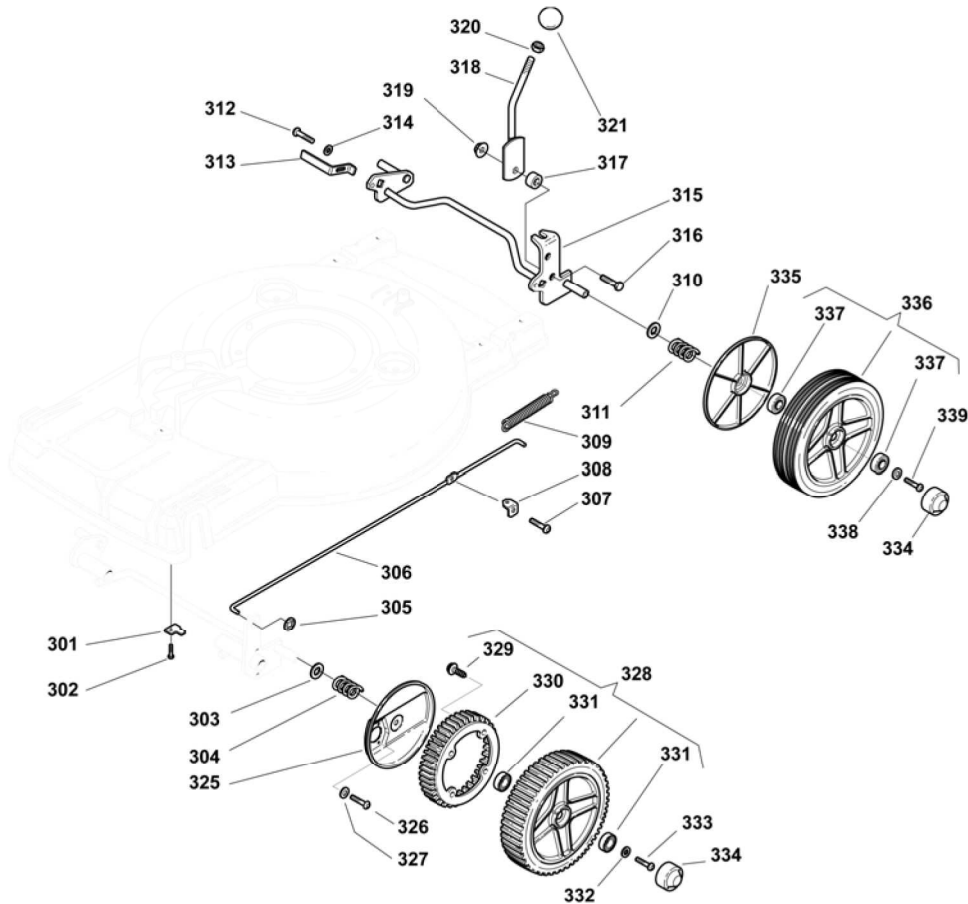
TR/E



2007

943a.0

1 / 2



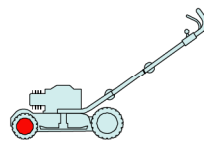
POS.	CODE	Q.TY	DESCRIZIONE	DESCRIPTION	DESCRIPTION	BESCHREIBUNG	REMARKS
301	22545157/0	2	PIASTRINA	PLATE	PLAQUETTE	PLÄTTCHEN	
302	12735662/0	4	VITE	SCREW	VIS	SCHRAUBE	
303	22671659/0	2	ROSETTA	WASHER	RONDELLE	SCHEIBE	
304	22430215/0	2	MOLLA	SPRING	RESSORT	FEDER	
305	12604899/0	2	FISSATORE A CORONA	CROWN FASTENER	FIXATEUR A COURONNE	KRONESCHEIBE	
306	22033328/0	1	ASTA COMANDO REGOL. ALTEZZA	ROD, HEIGHT ADJUSTMENT CONTROL	TIGE COMMANDE REGLAGE HAUTEUR	STANGE, HÖHEVERSTELLUNG	
307	12735651/0	1	VITE	SCREW	VIS	SCHRAUBE	
308	22545139/0	1	PIASTRINA	PLATE	PLAQUETTE	PLÄTTCHEN	
309	22446183/0	1	MOLLA	SPRING	RESSORT	FEDER	
310	22671659/0	2	ROSETTA	WASHER	RONDELLE	SCHEIBE	
311	22430215/0	2	MOLLA	SPRING	RESSORT	FEDER	
312	12735661/0	2	VITE	SCREW	VIS	SCHRAUBE	
313	22551529/0	2	PIASTRINA	PLATE	PLAQUETTE	PLÄTTCHEN	
314	12521330/0	2	ROSETTA	WASHER	RONDELLE	SCHEIBE	
315	81002835/0	1	ASSE RUOTE POSTERIORI	AXLE, REAR WHEELS	AXE ROUES ARRIERE	ACHSE, HINTERRAD	
316	12793701/0	1	VITE	SCREW	VIS	SCHRAUBE	
317	22170830/0	1	DISTANZIALE	SPACER	ENTRETOISE	DISTANZRING	
318	81003317/0	1	LEVA REGOLAZIONE ALTEZZA	LEVER, HEIGHT ADJUSTMENT	LEVIER REGLAGE HAUTEUR	HEBEL, HÖNEVERSTELLUNG	
319	12293201/0	1	DADO	NUT	ECROU	MUTTER	
320	12293200/0	1	DADO	NUT	ECROU	MUTTER	
321	22399812/0	1	MANOPOLINA	KNOB	POIGNÉE	GRIFF	

POS.	CODE	Q.TY	DESCRIZIONE	DESCRIPTION	DESCRIPTION	BESCHREIBUNG	REMARKS
325	22600129/0	2	PROT. RUOTE	PROTECTION, WHEEL	PROTECTION ROUE	SCHÜTZ, RÄDER	
326	12735661/0	4	VITE	SCREW	VIS	SCHRAUBE	
327	12521330/0	4	ROSETTA	WASHER	RONDELLE	SCHEIBE	
328	81007366/0	2	RUOTA Ø 205	WHEEL Ø 205	ROUE Ø 205	RAD Ø 205	
331	19216038/0	4	CUSCINETTO	BEARING	COUSSINET	LAGER	
332	12521460/0	2	ROSETTA	WASHER	RONDELLE	SCHEIBE	
333	12735662/0	2	VITE	SCREW	VIS	SCHRAUBE	
334	22110380/0	4	COPRIMOZZO	HUB CAP	COUVRE-MOYEU	RADKAPPE	
335	22600130/0	2	PROT. RUOTE	PROTECTION, WHEEL	PROTECTION ROUE	SCHÜTZ, RÄDER	
336	81007365/0	2	RUOTA Ø 205	WHEEL Ø 205	ROUE Ø 205	RAD Ø 205	
337	19216038/0	4	CUSCINETTO	BEARING	COUSSINET	LAGER	
338	12521460/0	2	ROSETTA	WASHER	RONDELLE	SCHEIBE	
339	12735662/0	2	VITE	SCREW	VIS	SCHRAUBE	

MC 534

TR

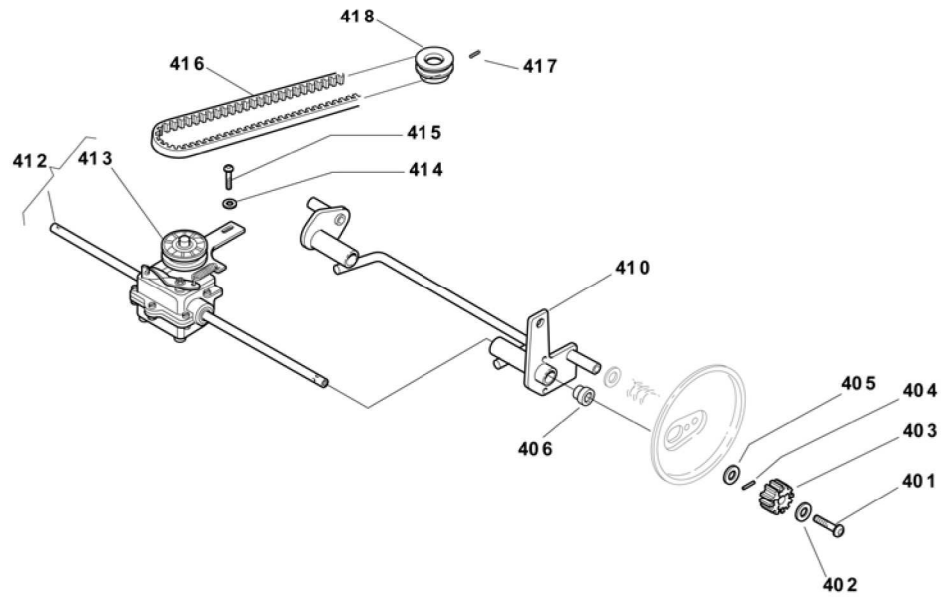
TR/E



2007

944.0

1 / 1

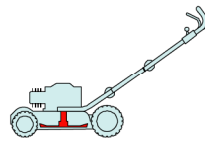


POS.	CODE	Q.TY	DESCRIZIONE	DESCRIPTION	DESCRIPTION	BESCHREIBUNG	REMARKS
401	12735662/0	2	VITE	SCREW	VIS	SCHRAUBE	
402	12521460/0	2	ROSETTA	WASHER	RONDELLE	SCHEIBE	
403	22570129/0	2	PIGNONE	PINION	PIGNON	RITZEL	
404	22753002/0	2	SPINA	PIN	GOUPILLE	STIFT	
405	22671661/0	2	ROSETTA	WASHER	RONDELLE	SCHEIBE	
406	22038406/0	2	DISTANZIALE	SPACER	ENTRETOISE	DISTANZRING	
410	81002833/0	1	ASSE RUOTE ANTERIORI	AXLE, FRONT WHEELS	AXE ROUES AVANT	ACHSE, VORDERRAD	
412	81003089/0	1	GRUPPO TRAZIONE	GEAR BOX	GROUPE TRACTION	ANTRIEB	
413	22601919/0	1	PULEGGIA	PULLEY	POULIE	RIEMENSCHLEIBE	
414	12523020/0	1	ROSETTA	WASHER	RONDELLE	SCHEIBE	
415	12735654/0	1	VITE	SCREW	VIS	SCHRAUBE	
416	35063185/0	1	CINGHIA	BELT	COURROIRE	RIEMEN	
417	12714312/0	1	GRANO	DOWEL	GRAIN	STIFT	
418	22601918/0	1	PULEGGIA	PULLEY	POULIE	RIEMENSCHLEIBE	

MC 534

TR

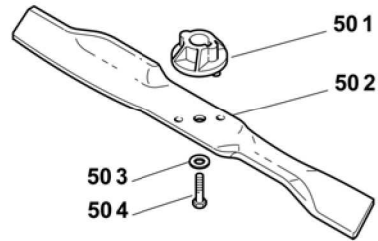
TR/E



2007

945.0

1 / 1

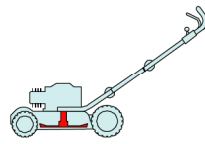


POS.	CODE	Q.TY	DESCRIZIONE	DESCRIPTION	DESCRIPTION	BESCHREIBUNG	REMARKS
501	22465623/0	1	MOZZO	HUB	MOYEU	HALTER	
502	81004138/0	1	COLTELLO	BLADE	LAME	MESSER	
503	12530140/0	1	ROSETTA	WASHER	RONDELLE	SCHEIBE	
504	12736850/0	1	VITE	SCREW	VIS	SCHRAUBE	

MC 534

TR

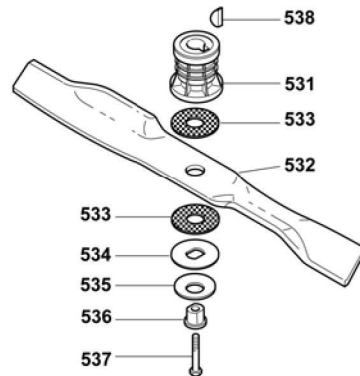
TR/E



2007

945a.0

1 / 1



POS.	CODE	Q.TY	DESCRIZIONE	DESCRIPTION	DESCRIPTION	BESCHREIBUNG	REMARKS
531	22465621/0	1	MOZZO	HUB	MOYEU	HALTER	
532	81004139/0	1	COLTELLO ALETTATO	BLADE WINGED	LAME AILETTÉE	MESSER FLÜGEL	
533	22672110/1	2	RONDELLA FRIZIONE	CLUTCH WASHER	RONDELLE FRICTION	KUPPLUNGSCHEIBE	
534	22672105/0	1	ROSETTA	WASHER	RONDELLE	SCHEIBE	
535	12508120/0	1	MOLLA A TAZZA	CUPPED SPRING	RESSORT	TELLER FEDER	
536	22041940/0	1	BUSSOLA FRIZIONE	CLUTCH BUSH	DOUILLE FRICTION	KUPPLUNGSCHEIBE	
537	12736850/0	1	VITE	SCREW	VIS	SCHRAUBE	
538	12139100/0	1	LINGUETTA	FEATHER	CLAVETTE	KEIL	