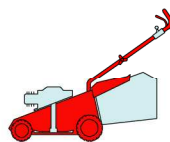


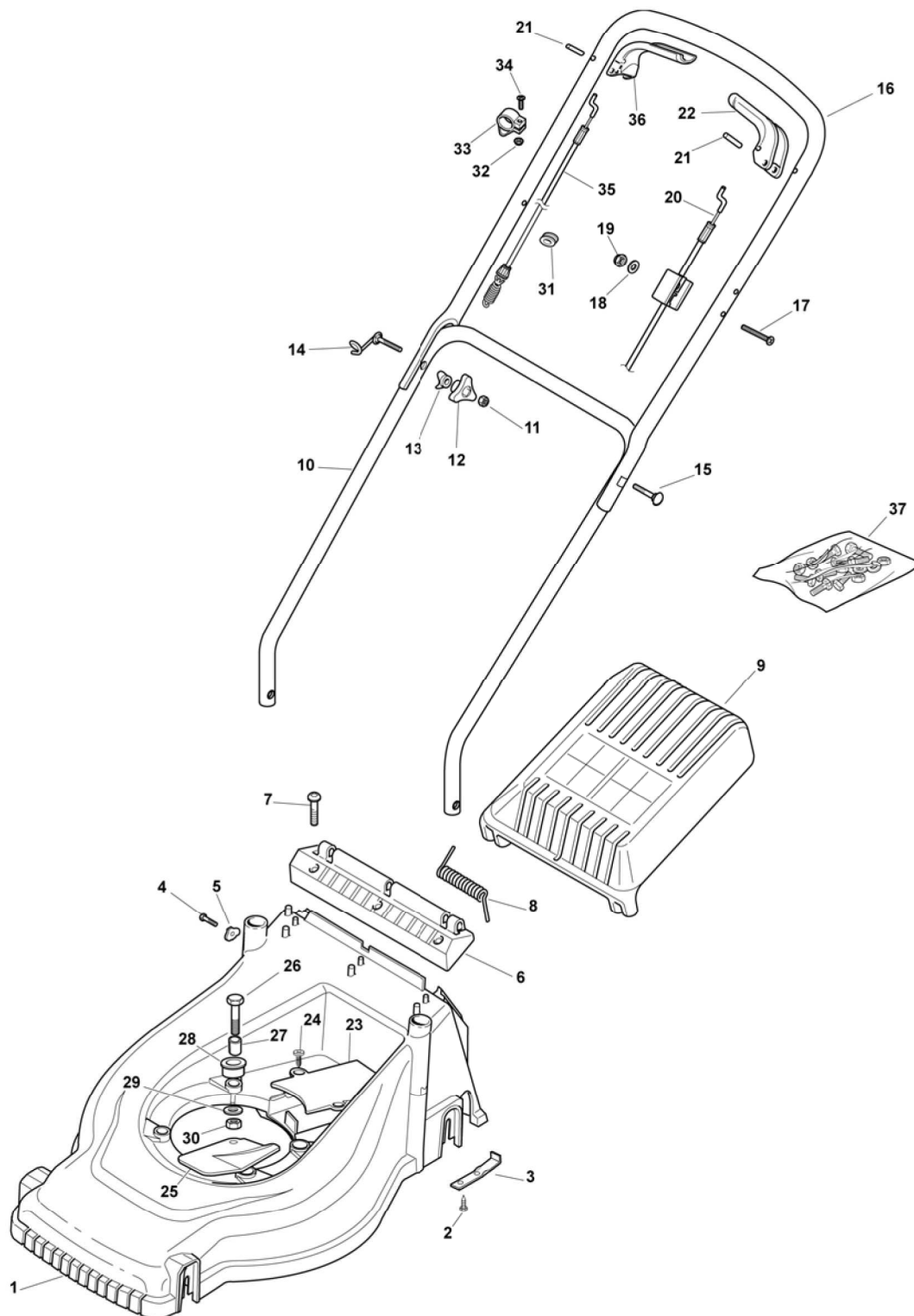
## EP 434 TR



2007

421.0

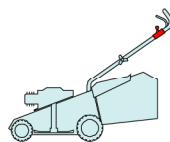
1 / 2



POS.	CODE	Q.TY	DESCRIZIONE	DESCRIPTION	DESCRIPTION	BESCHREIBUNG	REMARKS
1	22066700/0	1	CHASSIS ROSSO	DECK RED	CHÂSSIS ROUGE	GEHÄUSE ROT	
2	12728680/0	4	VITE	SCREW	VIS	SCHRAUBE	
3	22608531/0	2	RINFORZO POSTERIORE	REAR STIFFENING	RÉNFORCEMENT ARRIERE	HINTERVERSTÄRKUNG	
4	12728450/0	2	VITE	SCREW	VIS	SCHRAUBE	
5	22545135/0	2	PIASTRINA	PLATE	PLAQUETTE	PLÄTTCHEN	
6	22785165/0	1	SUPPORTO	SUPPORT	SUPPORT	HALTER	
7	12728686/0	3	VITE	SCREW	VIS	SCHRAUBE	
8	22450430/0	1	MOLLA	SPRING	RESSORT	FEDER	

POS.	CODE	Q.TY	DESCRIZIONE	DESCRIPTION	DESCRIPTION	BESCHREIBUNG	REMARKS
9	22600079/0	1	PARASASSI, NERO	BLACK STONE-GUARD	PARE-PIERRES, NOIR	PRALLBLECH, GRAU	
10	81006609/0	1	MANICO, PARTE INF	HANDLE, LOWER PART	MANCHERON, PARTIE INFERIEURE	HOLM, UNTERTEIL	
11	12293200/0	2	DADO	NUT	ECROU	MUTTER	
12	22399900/0	2	MANOPOLINA	KNOB	POIGNÉE	GRIFF	
13	22680006/1	2	ROSETTA	WASHER	RONDELLE	SCHEIBE	
14	81003801/1	1	MOLLA GUIDA	GUIDE SPRING	RESSORT DE GUIDE	FEDER FÜHRER	
15	12819201/0	1	VITE	SCREW	VIS	SCHRAUBE	
16	81006577/0	1	MANICO, PARTE SUP	HANDLE, UPPER PART	MANCHERON, PARTIE SUPERIEURE	HOLM, OBERTEIL	
17	12674700/0	1	VITE	SCREW	VIS	SCHRAUBE	
18	12521330/0	1	ROSETTA	WASHER	RONDELLE	SCHEIBE	
19	12292100/0	1	DADO	NUT	ECROU	MUTTER	
20	81000613/0	1	CAVO FRENO MOTORE	CABLE, THREAD ENG. BRAKE	CABLE FREIN MOTEUR	KABEL, MOTORBREMSE	(B&S)
-	81000614/0	1	CAVO FRENO MOTORE	CABLE, THREAD ENG. BRAKE	CABLE FREIN MOTEUR	KABEL, MOTORBREMSE	(GGP ENGINE)
21	12645710/0	2	SPINA	PIN	GOUPILLE	STIFT	
22	22321700/0	1	LEVA FRENO MOTORE	LEVER, MOTOR BRAKE	LEVIER FREIN MOTEUR	HEBEL, MOTORBREMSE	
23	22060171/0	1	CARTER CINGHIA	PROTECTION, BELT	PROTECTION COURROIRE	SCHUTZ, RIEMEN	
24	12728686/0	2	VITE	SCREW	VIS	SCHRAUBE	
25	22484070/1	1	PARACALORE	MUFFLER GUARD	GRILLE DE PROTECTION	SCHUTZABDECKUNG	
26	12691900/0	3	VITE	SCREW	VIS	SCHRAUBE	
27	22167842/0	3	DISTANZIALE	SPACER	ENTRETOISE	DISTANZRING	
28	22040265/0	1	BUSSOLA	BUSH	DOUILLE	BUCHSE	
29	12523070/0	3	ROSETTA	WASHER	RONDELLE	SCHEIBE	
30	12155000/0	3	DADO	NUT	ECROU	MUTTER	
31	18564520/1	1	PASSACAVO	FAIR LEAD	PASSE CABLE	KABELDURCHGANG	
32	12292100/0	1	DADO	NUT	ECROU	MUTTER	
33	22806521/0	1	FASCETTA	CLAMP	COLLIER	BOWDENZUGHALTER	
34	12769616/0	1	VITE	SCREW	VIS	SCHRAUBE	
35	81000704/0	1	CAVO COMANDO TRAZIONE	CABLE, REAR DRIVE	CÂBLE, COMMANDE TRACTION	KABEL, ANTRIEB	
36	22321701/0	1	LEVA TRAZIONE	DRIVING LEVER	LEVIER TRACTION	ANTRIEBHEBEL	
37	--	1	DOTAZIONE VITERIA	OUTFIT, SCREWS	DOTATION VISSERIE	SATZ, SCHRAUBEN	

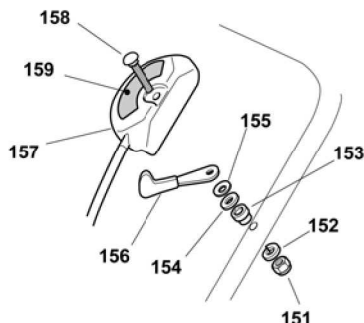
## EP 434 TR



2007

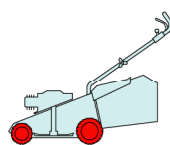
421a.0

1 / 1



POS.	CODE	Q.TY	DESCRIZIONE	DESCRIPTION	DESCRIPTION	BESCHREIBUNG	REMARKS
151	12291000/0	1	DADO	NUT	ECROU	MUTTER	
152	12581500/0	1	GROWER	GROWER	GROWER	FEDERRING	
153	22171005/0	1	DISTANZIALE	SPACER	ENTRETOISE	DISTANZRING	
154	12521360/0	1	ROSETTA	WASHER	RONDELLE	SCHEIBE	
155	12508100/0	1	ROSETTA ELASTICA	SPRING WASHER	RONDELLE ELASTIQUE	ELASTISCHE SCHEIBE	
156	81007220/0	1	LEVA, ACCELERATORE	LEVER, THROTTLE	LEVIER, ACCELERATEUR	HEBEL, BESHLEUNIGER	(B&S CLASSIC/SPRINT/LS/LC - GGP ENGINE M150/SV150)
-	81007279/1	1	LEVA, ACCELERATORE	LEVER, THROTTLE	LEVIER, ACCELERATEUR	HEBEL, BESHLEUNIGER	(B&S QUANTUM - HONDA - GGP ENGINE SV200)
157	81007080/0	1	CAVO ACCELERATORE	CABLE, TROTTLE	CABLE, ACCELERATEUR	KABLE, BESHLEUNIGER	
158	12815000/0	1	VITE	SCREW	VIS	SCHRAUBE	
159	14356703/0	1	ETICHETTA	LABEL	ETIQUETTE	ETIKETTE	(B&S)
-	14356702/0	1	ETICHETTA	LABEL	ETIQUETTE	ETIKETTE	(GGP ENGINE - HONDA)

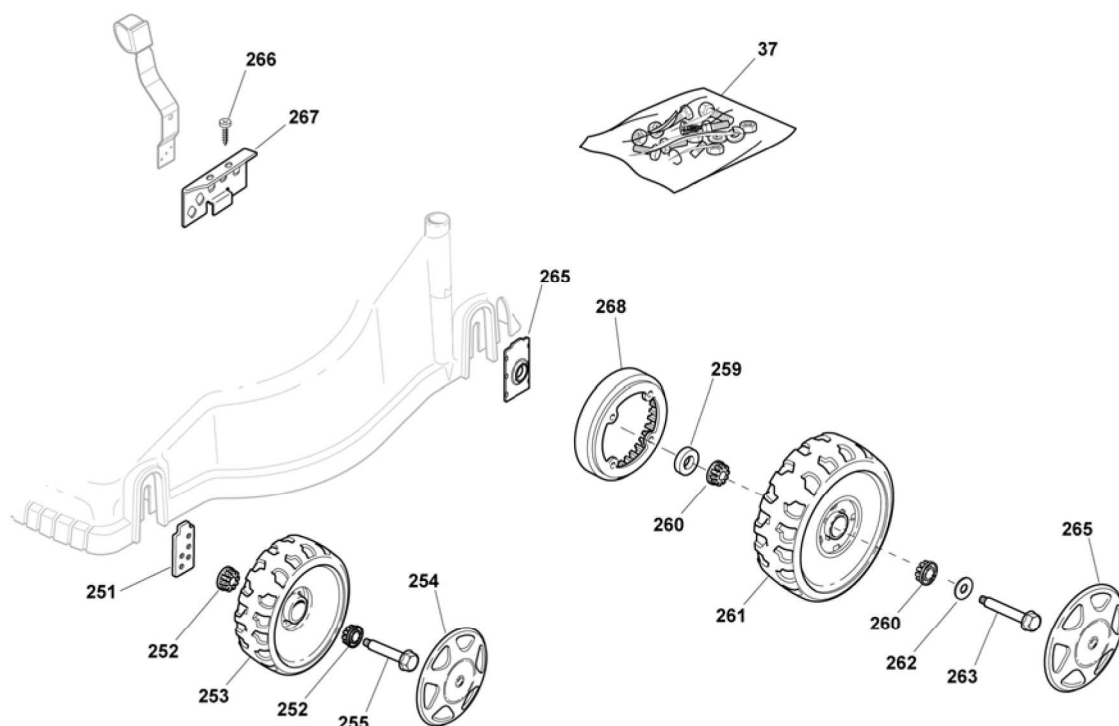
## EP 434 TR



2007

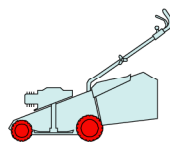
422.0

1 / 1



POS.	CODE	Q.TY	DESCRIZIONE	DESCRIPTION	DESCRIPTION	BESCHREIBUNG	REMARKS
37	81008679/0	1	DOTAZIONE VITERIA	OUTFIT, SCREWS	DOTATION VISSERIE	SATZ, SCHRAUBEN	
251	22785093/0	2	SUPPORTO RUOTA	SUPPORT, WHEEL	SUPPORT ROUE	HALTER, RAD	
252	22034515/1	4	BUSSOLA	BUSH	DOUILLE	BUCHSE	
253	22686091/1	2	RUOTA Ø 165	WHEEL Ø 165	ROUE Ø 165	RAD Ø 165	
254	---	2	COPRIMOZZO	HUB CAP	COUVRE-MOYEU	RADKAPPE	(SEE ENCLOSURE 1)
255	22524340/0	2	PERNO	PIN	PIVOT	BOLZEN	
259	22170622/0	2	DISTANZIALE	SPACER	ENTRETOISE	DISTANZRING	
260	22034508/0	4	BUSSOLA	BUSH	DOUILLE	BUCHSE	
261	22686093/0	2	RUOTA Ø 190	WHEEL Ø 190	ROUE Ø190	RAD Ø 190	
262	12523050/0	2	ROSETTA	WASHER	RONDELLE	SCHEIBE	
263	12735599/0	2	VITE	SCREW	VIS	SCHRAUBE	
264	---	2	COPRIMOZZO	HUB CAP	COUVRE-MOYEU	RADKAPPE	(SEE ENCLOSURE 2)
265	22557149/0	2	PIASTRINA	PLATE	PLAQUETTE	PLÄTTCHEN	
266	12728680/0	2	VITE	SCREW	VIS	SCHRAUBE	
267	22735567/0	1	SETTORE DI REGOLAZIONE	SECTOR, HEIGHT ADJUSTMENT	SECTEUR REGLAGE	SEKTOR, HÖHEVERSTELLUNG	
268	22120109/0	2	CORONA	RING GEAR	COURONNE	KRANZ	

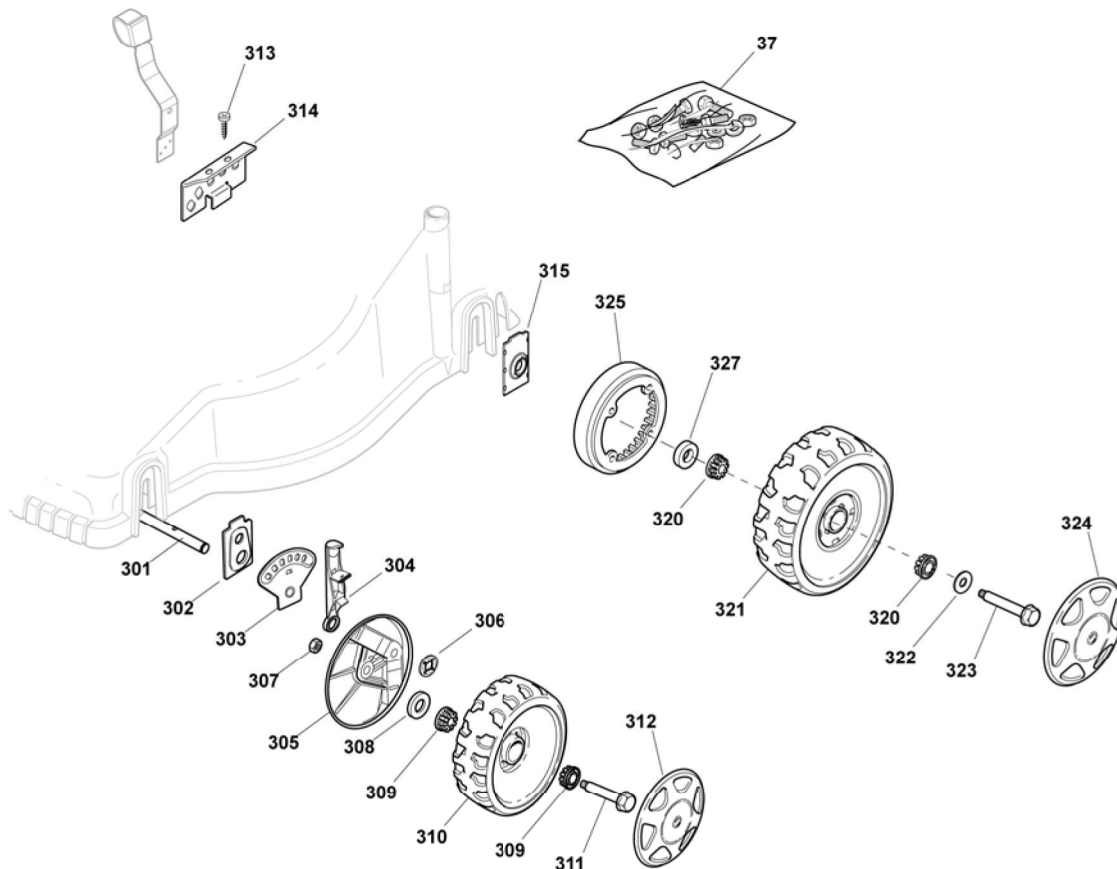
## EP 434 TR



2007

422a.0

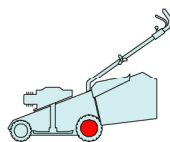
1 / 1



POS.	CODE	Q.TY	DESCRIZIONE	DESCRIPTION	DESCRIPTION	BESCHREIBUNG	REMARKS
37	81008661/1	1	DOTAZIONE VITERIA	OUTFIT, SCREWS	DOTATION VISSERIE	SATZ, SCHRAUBEN	
301	22033363/0	1	ASSE	AXLE	AXE	ACHSE	
302	22785135/0	2	SUPPORTO	SUPPORT	SUPPORT	HALTER	
303	22735555/0	2	SETTORE DI REGOLAZIONE	SECTOR, HEIGHT ADJUSTMENT	SECTEUR REGLAGE	SEKTOR, HÖHEVERSTELLUNG	
304	81003306/0	2	LEVA REGOLAZIONE ALTEZZA	LEVER, HEIGHT ADJUSTMENT	LEVIER REGLAGE HAUTEUR	HEBEL, HÖNEVERSTELLUNG	
305	22600096/0	2	PROT. RUOTE	PROTECTION, WHEEL	PROTECTION ROUE	SCHÜTZ, RÄDER	
306	22020050/0	2	ANELLO ELASTICO	SNAP RING	ANNEAU RESSORT	SPRENGRING	
307	12155000/0	2	DADO	NUT	ECROU	MUTTER	
308	25670011/0	2	ROSETTA	WASHER	RONDELLE	SCHEIBE	
309	22034508/0	4	BUSSOLA	BUSH	DOUILLE	BUCHSE	
310	22686091/1	2	RUOTA Ø 165	WHEEL Ø 165	ROUE Ø 165	RAD Ø 165	
311	22524341/0	2	PERNO	PIN	PIVOT	BOLZEN	
312	---	2	COPRIMOZZO	HUB CAP	COUVRE-MOYEU	RADKAPPE	(SEE ENCLOSURE 1)
313	12728680/0	2	VITE	SCREW	VIS	SCHRAUBE	
314	22735557/0	1	SETTORE DI REGOLAZIONE	SECTOR, HEIGHT ADJUSTMENT	SECTEUR REGLAGE	SEKTOR, HÖHEVERSTELLUNG	
315	22557149/0	2	PIASTRINA	PLATE	PLAQUETTE	PLÄTTCHEN	
320	22034508/0	4	BUSSOLA	BUSH	DOUILLE	BUCHSE	
321	22686093/0	2	RUOTA Ø 190	WHEEL Ø 190	ROUE Ø190	RAD Ø 190	
322	12523050/0	2	ROSETTA	WASHER	RONDELLE	SCHEIBE	
323	12735599/0	2	VITE	SCREW	VIS	SCHRAUBE	
324	---	2	COPRIMOZZO	HUB CAP	COUVRE-MOYEU	RADKAPPE	(SEE ENCLOSURE 2)
325	22120109/0	2	CORONA	RING GEAR	COURONNE	KRANZ	
327	22170622/0	2	DISTANZIALE	SPACER	ENTRETOISE	DISTANZRING	



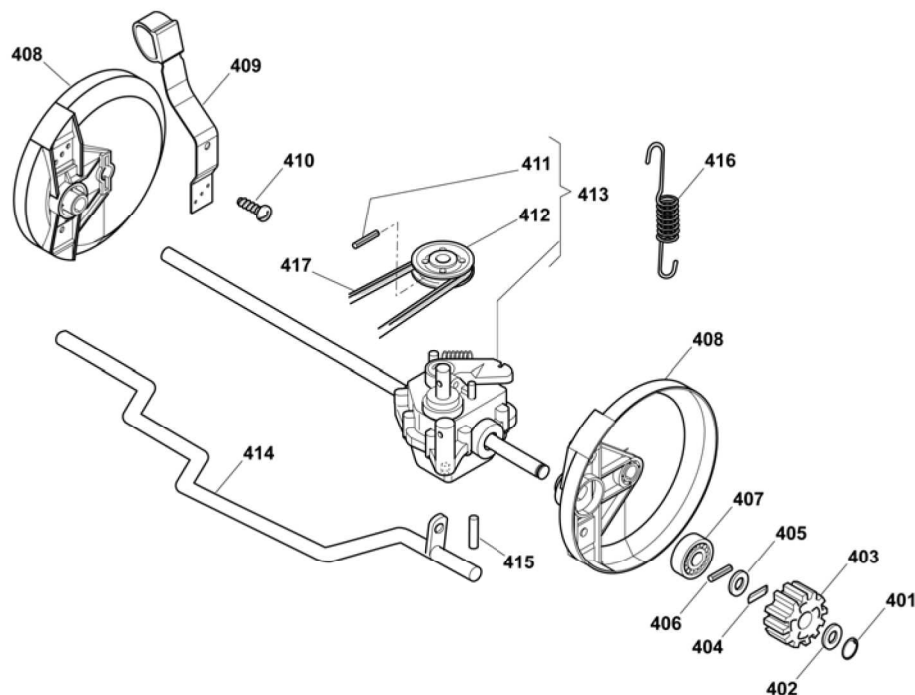
## EP 434 TR



2007

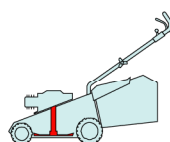
422b.0

1 / 1



POS.	CODE	Q.TY	DESCRIZIONE	DESCRIPTION	DESCRIPTION	BESCHREIBUNG	REMARKS
401	12608520/0	2	SEEGER	SEEGER	SEEGER	SEEGER	
402	22160520/0	2	DISCO PARAPOLVERE	DUST COVER	PROTEGE-POUSSIÈRE	STAUBSCHUTTSCHIBE	
403	22570125/0	2	PIGNONE	PINION	PIGNON	RITZEL	
404	22076645/0	2	CHIAVE	KEY	CLEF	SCHLÜSSEL	
405	22160520/0	2	DISCO PARAPOLVERE	DUST COVER	PROTEGE-POUSSIÈRE	STAUBSCHUTTSCHIBE	
406	12622620/0	2	SPINA	PIN	GOUPILLE	STIFT	
407	22122202/0	2	CUSCINETTO	BEARING	COUSSINET	LAGER	
408	22600106/1	2	PROT. RUOTE	PROTECTION, WHEEL	PROTECTION ROUE	SCHÜTZ, RÄDER	
409	81003303/0	1	LEVA REGOLAZIONE ALTEZZA	LEVER, HEIGHT ADJUSTMENT	LEVIER REGLAGE HAUTEUR	HEBEL, HÖNEVERSTELLUNG	
410	12728689/0	2	VITE	SCREW	VIS	SCHRAUBE	
411	12645705/0	1	SPINA	PIN	GOUPILLE	STIFT	
412	22601904/0	1	PULEGGIA	PULLEY	POULIE	RIEMENSCHIBE	
413	81003093/0	1	GRUPPO TRAZIONE	GEAR BOX	GROUPE TRACTION	ANTRIEB	
414	22033393/0	1	ASSE RUOTE POSTERIORI	AXLE, REAR WHEELS	AXE ROUES ARRIERE	ACHSE, HINTERRAD	
415	22753001/0	2	SPINA	PIN	GOUPILLE	STIFT	
416	22430216/0	1	MOLLA	SPRING	RESSORT	FEDER	
417	35063800/0	1	CINGHIA Z 27	BELT Z 27	COURROIE Z 27	RIEMEN Z 27	

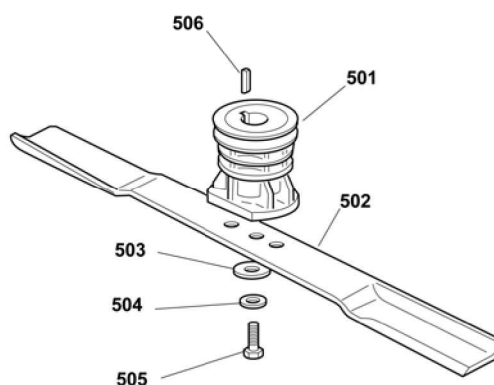
## EP 434 TR



2007

423.0

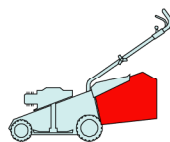
1 / 1



POS.	CODE	Q.TY	DESCRIZIONE	DESCRIPTION	DESCRIPTION	BESCHREIBUNG	REMARKS
501	22465607/2	1	MOZZO	HUB	MOYEU	HALTER	
502	81004341/3	1	COLTELLO STANDARD	BLADE STANDARD	LAME STANDARD	MESSER STANDARD	
503	22160400/0	1	DISCO ELASTICO	ELASTIC WASHER	DISQUE ELASTIQUE	FEDERSCHEIBE	
504	12523080/0	1	ROSETTA	WASHER	RONDELLE	SCHEIBE	
505	12735698/0	1	VITE	SCREW	VIS	SCHRAUBE	
506	12139100/0	1	LINGUETTA	FEATHER	CLAVETTE	KEIL	



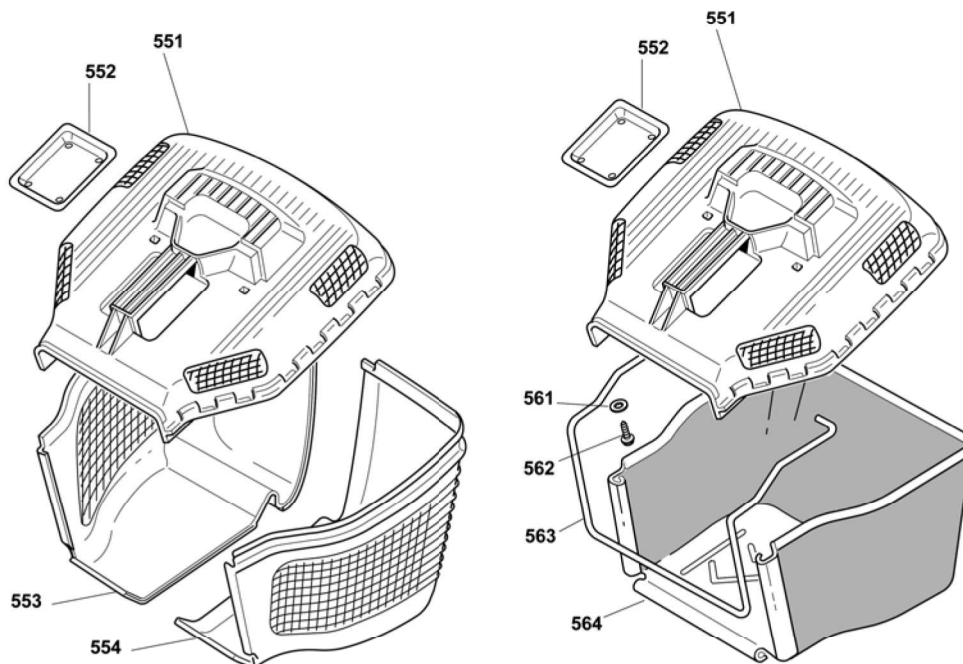
## EP 434 TR



2007

424.0

1 / 1



POS.	CODE	Q.TY	DESCRIZIONE	DESCRIPTION	DESCRIPTION	BESCHREIBUNG	REMARKS
551	22486115/0	1	SACCO, PARTE SUP	GRASS-BOX, UPPER PART	SAC, PARTIE SUPERIEURE	KORB, OBERTEIL	
552	22486098/0	1	PIASTRINA	PLATE	PLAQUETTE	PLÄTTCHEN	
553	22486120/0	1	SACCO, PARTE INF DX	GRASS-BOX, R LOWER	SAC, PARTIE INFERIEURE D	KORB, R UNTERTEIL	
554	22486119/0	1	SACCO, PARTE INF SX	GRASS-BOX, L LOWER	SAC, PARTIE INFERIEURE G	KORB, L UNTERTEIL	
561	12521460/0	2	ROSETTA	WASHER	RONDELLE	SCHEIBE	
562	12728300/0	2	VITE	SCREW	VIS	SCHRAUBE	
563	22608528/0	1	RINFORZO INF	STIFFENING LOWER	RÉNFORCEMENT INF	VERSTÄRKUNG UNTERE	
564	81002239/0	1	SACCO, TELA	BOX, FABRIC	SAC, TOILE	SACK, TUCK	