

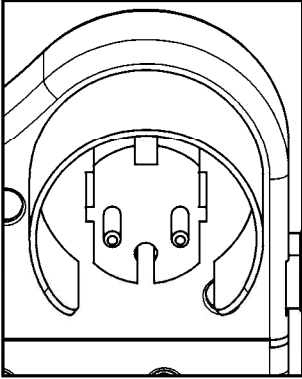
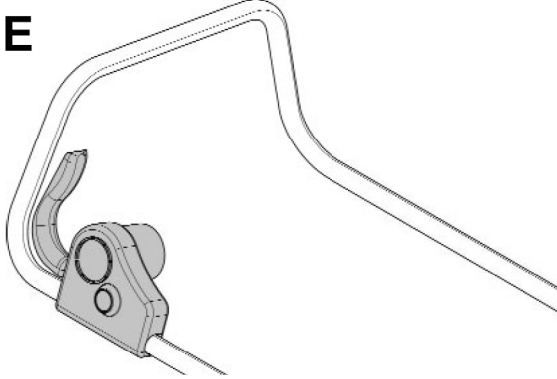
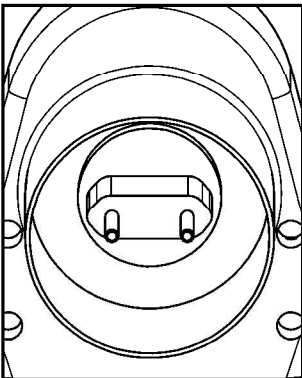
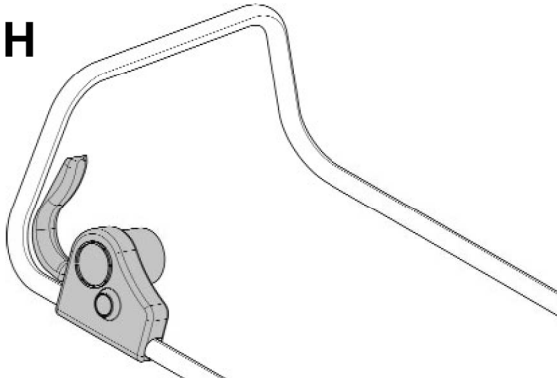
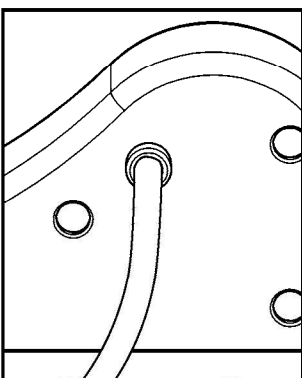
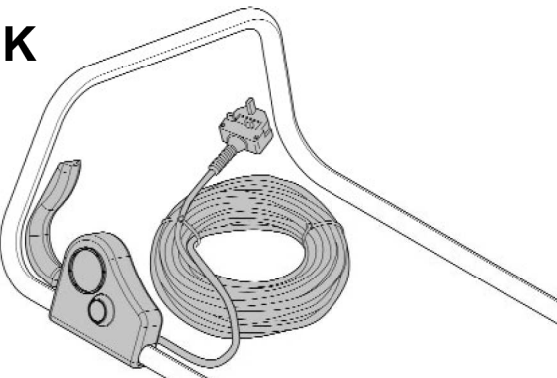
## ENCLOSURE 3

350 ÷ 390

2007

003.0

1 / 1

Disegno - Drawing - Dessin - Zeichnung	Code	Remarks
	<p><b>CE</b></p> 	<p><b>81600500/1</b> -</p>
	<p><b>CH</b></p> 	<p><b>81600501/1</b> -</p>
	<p><b>UK</b></p> 	<p><b>81600502/1</b> -</p>

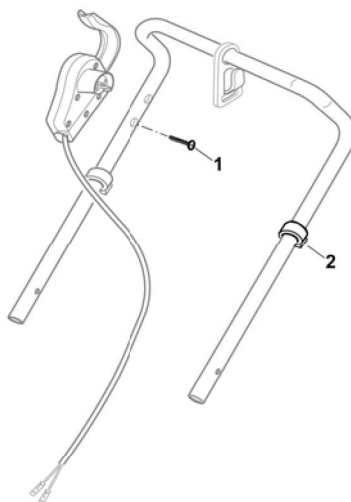
## ENCLOSURE 3

350 ÷ 390

2007

003a.0

1 / 1



POS.	CODE	Q.TY	DESCRIZIONE	DESCRIPTION	DESCRIPTION	BESCHREIBUNG	REMARKS
1	12728685/0	2	VITE	SCREW	VIS	SCHRAUBE	
2	22192151/0	1	FERMACAVO	FAIRLEAD	FIXATION CABLE	KABELBEFESTIGUNG	

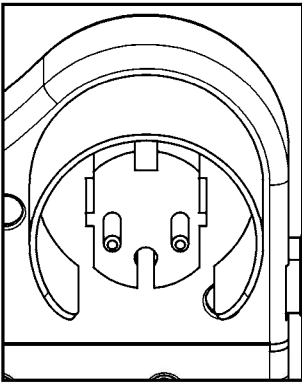
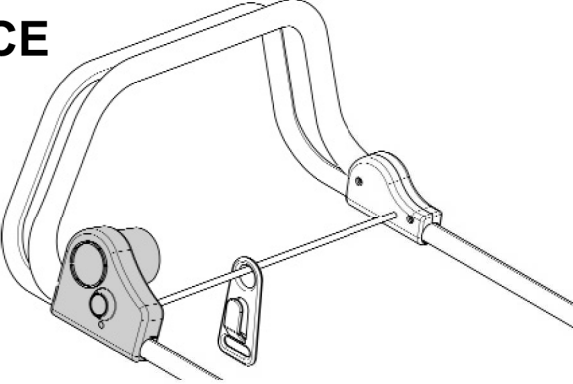
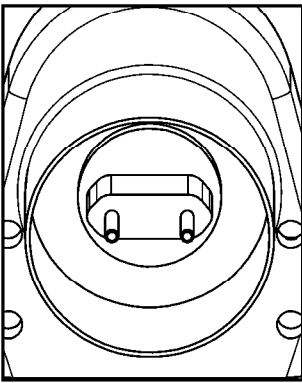
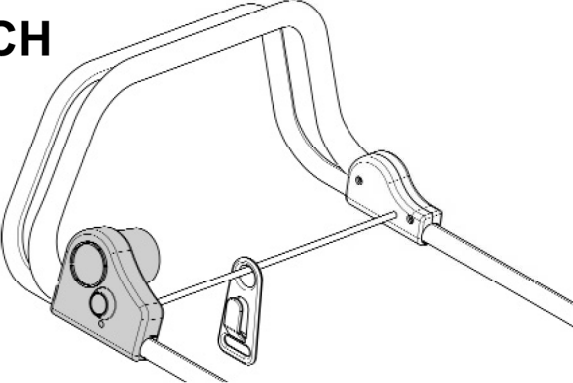
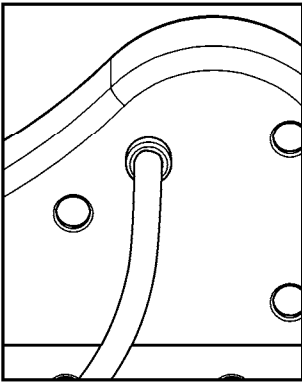
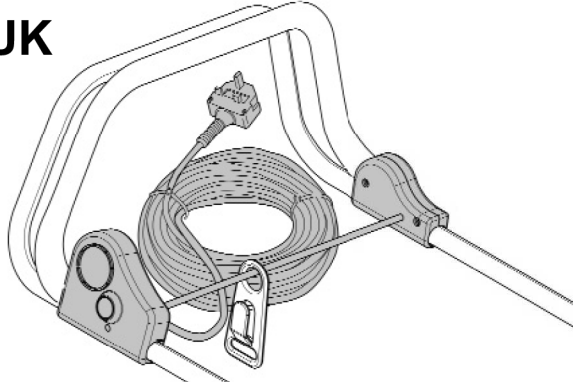
## ENCLOSURE 3

350 ÷ 390

2007

004.0

1 / 1

Disegno - Drawing - Dessin - Zeichnung	Code	Remarks
	<b>CE</b> 	81600503/1 -
	<b>CH</b> 	81600504/1 -
	<b>UK</b> 	81600505/1 -

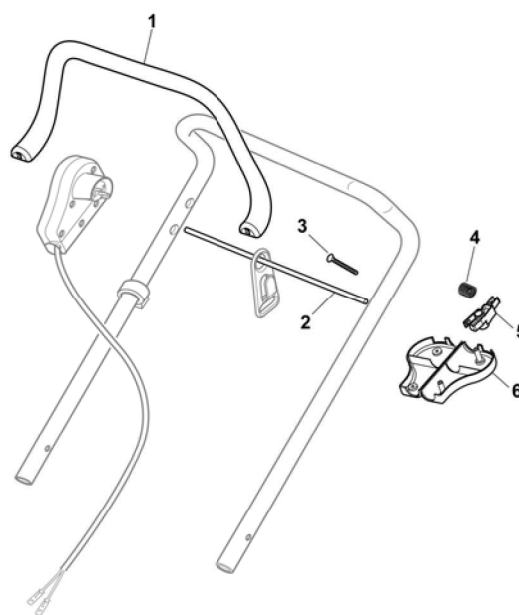
## ENCLOSURE 3

350 ÷ 390

2007

004a.0

1 / 1



POS.	CODE	Q.TY	DESCRIZIONE	DESCRIPTION	DESCRIPTION	BESCHREIBUNG	REMARKS
1	22322883/0	1	LEVA FRENO MOTORE, GIALLO	LEVER, MOTOR BRAKE	LEVIER FREIN MOTEUR	HEBEL, MOTORBREMSE	
-	22322880/0	1	LEVA FRENO MOTORE, NERO	LEVER, MOTOR BRAKE	LEVIER FREIN MOTEUR	HEBEL, MOTORBREMSE	
2	22010250/0	1	ASTA AGGANCI FERMACAVO	ROD, FAIRLEAD BEARING	TIGE SUPPORT SERRECABLE	STANGE, KABELHALTER	
3	12728685/0	4	VITE	SCREW	VIS	SCHRAUBE	
4	22450115/0	1	MOLLA	SPRING	RESSORT	FEDER	
5	22230350/0	1	FULCRO	FULCRUM PIN	POINT D'APPUI	GELENKPUNKT	
6	22785144/0	1	SUPPORTO	SUPPORT	SUPPORT	HALTER	

## ENCLOSURE 3

350 ÷ 390

2007

004b.0

1 / 1

*Istruzioni di Montaggio - Instructions for Assembly -  
Instructions de Montage - Montageanleitungen*

