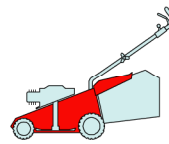


TU

454

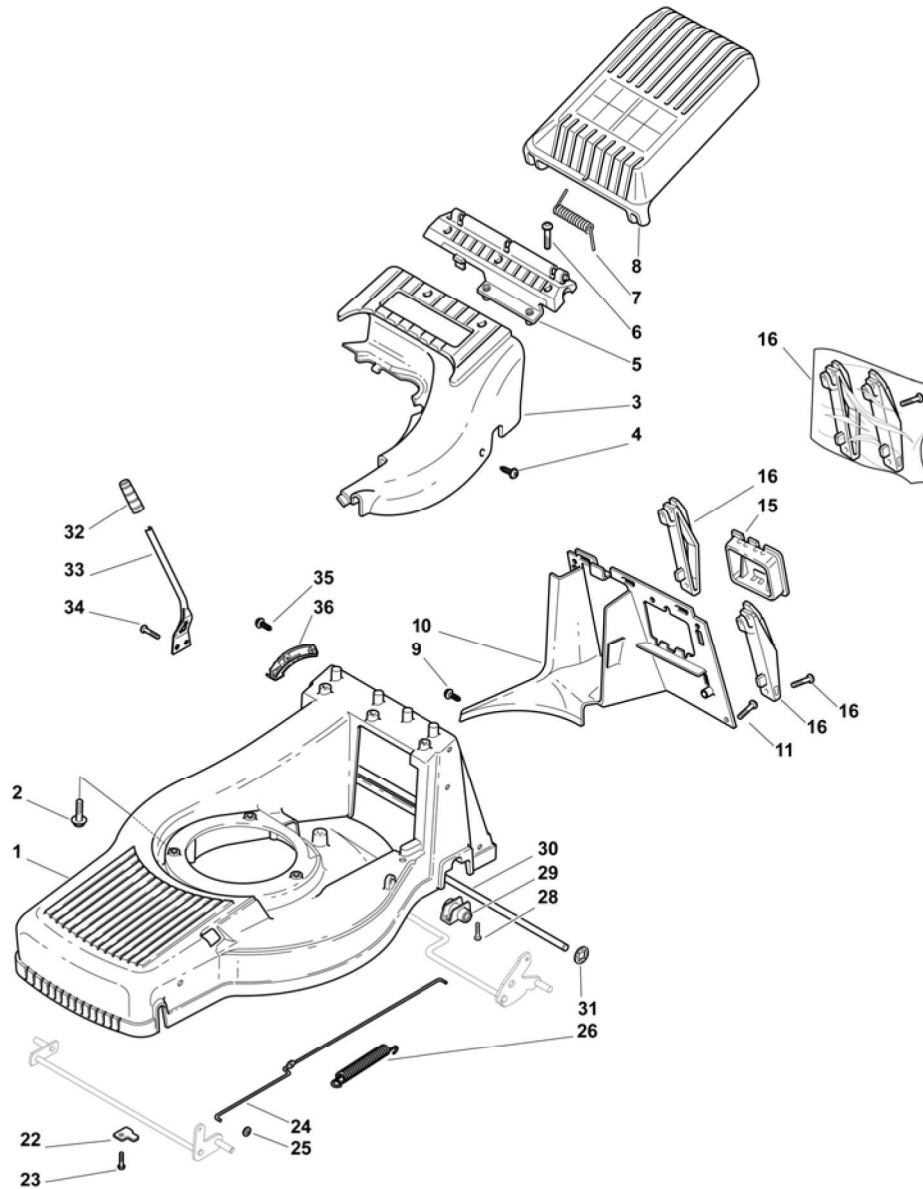
504



2007

851.0

1 / 2



POS.	CODE	Q.TY	DESCRIZIONE	DESCRIPTION	DESCRIPTION	BESCHREIBUNG	REMARKS
1	81002656/0	1	CHASSIS GIALLO	DECK YELLOW	CHÂSSIS JAUNE	GEHÄUSE GELB	(454)
-	81002657/0	1	CHASSIS GIALLO	DECK YELLOW	CHÂSSIS JAUNE	GEHÄUSE GELB	(504)
2	12735108/0	3	VITE	SCREW	VIS	SCHRAUBE	
3	22060151/0	1	CARTER, GIALLO	PROTECTION, YELLOW	PROTECTION, JAUNE	SCHUTZ, GELB	(454)
-	22060152/0	1	CARTER, GIALLO	PROTECTION, YELLOW	PROTECTION, JAUNE	SCHUTZ, GELB	(504)
4	12728300/0	3	VITE	SCREW	VIS	SCHRAUBE	
5	22785156/0	1	SUPPORTO, GIALLO	SUPPORT, YELLOW	SUPPORT, JAUNE	HALTER, GELB	(454)
-	22785178/0	1	SUPPORTO, NERO	SUPPORT, BLACK	SUPPORT, NOIR	HALTER, SCHWARZ	(454)
-	22785157/0	1	SUPPORTO, GIALLO	SUPPORT, YELLOW	SUPPORT, JAUNE	HALTER, GELB	(504)
-	22785179/0	1	SUPPORTO, NERO	SUPPORT, BLACK	SUPPORT, NOIR	HALTER, SCHWARZ	(504)
6	12735664/0	3	VITE	SCREW	VIS	SCHRAUBE	
7	22450443/0	1	MOLLA	SPRING	RESSORT	FEDER	
8	22600080/0	1	PARASASSI GIALLO	STONE-GUARD, YELLOW	PARE-PIERRES, JAUNE	PRALLBLECH, GELB	(454)
-	22600079/0	1	PARASASSI, NERO	BLACK STONE-GUARD	PARE-PIERRES, NOIR	PRALLBLECH, GRAU	(454)
-	22600069/1	1	PARASASSI GIALLO	STONE-GUARD, YELLOW	PARE-PIERRES, JAUNE	PRALLBLECH, GELB	(504)
-	22600068/1	1	PARASASSI, NERO	BLACK STONE-GUARD	PARE-PIERRES, NOIR	PRALLBLECH, GRAU	(504)



POS.	CODE	Q.TY	DESCRIZIONE	DESCRIPTION	DESCRIPTION	BESCHREIBUNG	REMARKS
9	12728300/0	1	VITE	SCREW	VIS	SCHRAUBE	
10	22108279/0	1	CONVOGL. POSTERIORE	REAR CONVEYOR ASSY	ENS. CONVOYEUR POST.	HINTERLEITBLECHSATZ	(454)
-	22108276/0	1	CONVOGL. POSTERIORE	REAR CONVEYOR ASSY	ENS. CONVOYEUR POST.	HINTERLEITBLECHSATZ	(454 MULCHING)
-	22108277/0	1	CONVOGL. POSTERIORE	REAR CONVEYOR ASSY	ENS. CONVOYEUR POST.	HINTERLEITBLECHSATZ	(504)
11	12735664/0	3	VITE	SCREW	VIS	SCHRAUBE	
15	22109531/0	1	COPERCHIO	COVER	COUVERCLE	DECKEL	
16	81008658/1	1	DOTAZIONE SUPPORTI	OUTFIT, SUPPORTS	DOTATION SUPPORT	SATZ, HALTER	
22	22545160/0	2	PIASTRINA	PLATE	PLAQUETTE	PLÄTTCHEN	
23	12735664/0	2	VITE	SCREW	VIS	SCHRAUBE	
24	22033321/0	1	ASTA COMANDO REGOL. ALTEZZA	ROD, HEIGHT ADJUSTMENT CONTROL	TIGE COMMANDE REGLAGE HAUTEUR	STANGE, HÖHEVERSTELLUNG	(454)
-	22033322/0	1	ASTA COMANDO REGOL. ALTEZZA	ROD, HEIGHT ADJUSTMENT CONTROL	TIGE COMMANDE REGLAGE HAUTEUR	STANGE, HÖHEVERSTELLUNG	(504)
25	12604898/0	2	FISSATORE A CORONA	CROWN FASTENER	FIXATEUR A COURONNE	KRONESCHEIBE	
26	22446181/0	1	MOLLA	SPRING	RESSORT	FEDER	
28	12735664/0	4	VITE	SCREW	VIS	SCHRAUBE	
29	22785153/0	2	SUPPORTO GRUPPO TRAZIONE	SUPPORT, GEAR BOX	SUPPORT GR. TRACTION	HALTER, ANTRIEB	
30	22033383/0	1	ASSE RUOTE POSTERIORI	AXLE, REAR WHEELS	AXE ROUES ARRIERE	ACHSE, HINTERRAD	(454)
-	22033385/0	1	ASSE RUOTE POSTERIORI	AXLE, REAR WHEELS	AXE ROUES ARRIERE	ACHSE, HINTERRAD	(504)
31	22020050/0	2	ANELLO ELASTICO	SNAP RING	ANNEAU RESSORT	SPRENGRING	
32	22399808/0	1	MANOPOLINA	KNOB	POIGNÉE	GRIFF	
33	22321515/0	1	LEVA REGOLAZIONE ALTEZZA	LEVER, HEIGHT ADJUSTMENT	LEVIER REGLAGE HAUTEUR	HEBEL, HÖNEVERSTELLUNG	
34	12735661/0	2	VITE	SCREW	VIS	SCHRAUBE	
35	12728300/0	2	VITE	SCREW	VIS	SCHRAUBE	
36	22735563/0	1	SETTORE DI REGOLAZIONE	SECTOR, HEIGHT ADJUSTMENT	SECTEUR REGLAGE	SEKTOR, HÖHEVERSTELLUNG	

TU

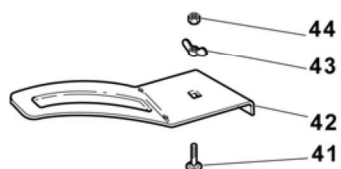
454

504

2007

851a.0

1 / 1

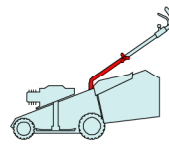


POS.	CODE	Q.TY	DESCRIZIONE	DESCRIPTION	DESCRIPTION	BESCHREIBUNG	REMARKS
41	12818690/0	1	VITE	SCREW	VIS	SCHRAUBE	(454)
42	22140229/0	1	DEFLETTORE	DEFLECTOR	DEFLECTEUR	DEFLEKTOR	(454)
43	22399807/0	1	MANOPOLINA	KNOB	POIGNÉE	GRIFF	(454)
44	12293200/0	1	DADO	NUT	ECROU	MUTTER	(454)
45	22140231/0	1	DEFLETTORE	DEFLECTOR	DEFLECTEUR	DEFLEKTOR	(504)

TU

454

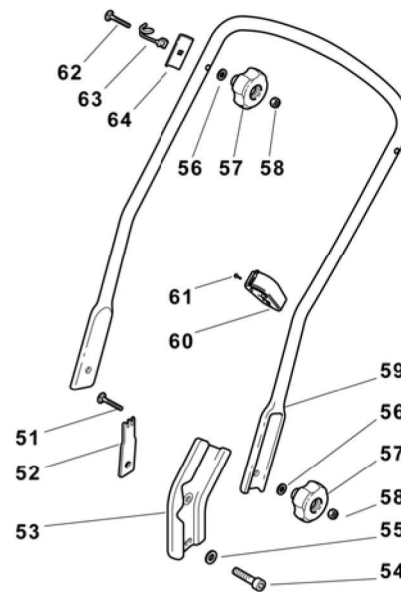
504



2007

852.0

1 / 1

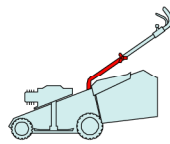


POS.	CODE	Q.TY	DESCRIZIONE	DESCRIPTION	DESCRIPTION	BESCHREIBUNG	REMARKS
51	12820655/0	2	VITE	SCREW	VIS	SCHRAUBE	
52	22551635/0	1	PIASTRINA FISSAGGIO MANICO	PLATE FOR HANDLE FASTENING	PLAQUETTE FIXAGE MANCHERON	PLATTE HOLMBEFESTIGUNG	
53	22778405/0	2	SUPPORTO	SUPPORT	SUPPORT	HALTER	
54	12760515/0	2	VITE	SCREW	VIS	SCHRAUBE	
55	12521350/0	2	ROSETTA	WASHER	RONDELLE	SCHEIBE	
56	12521350/0	4	ROSETTA	WASHER	RONDELLE	SCHEIBE	
-	81002239/0	1	SACCO, TELA	BOX, FABRIC	SAC, TOILE	SACK, TUCK	
57	22399810/0	4	MANOPOLINA	KNOB	POIGNÉE	GRIFF	
58	12361005/0	4	DADO	NUT	ECROU	MUTTER	
59	81006612/0	1	MANICO, PARTE INF	HANDLE, LOWER PART	MANCHERON, PARTIE INFERIEURE	HOLM, UNTERTEIL	(454)
-	81006613/0	1	MANICO, PARTE INF	HANDLE, LOWER PART	MANCHERON, PARTIE INFERIEURE	HOLM, UNTERTEIL	(504)
60	22192001/0	1	FASCETTA ANCORAGGIO	ANCHOR CLAMP	COLLIER ANCRAGE	BOWDENZUGHALTER	
61	12728691/0	1	VITE	SCREW	VIS	SCHRAUBE	
62	12820655/0	2	VITE	SCREW	VIS	SCHRAUBE	
63	22430311/0	1	MOLLA GUIDA	GUIDE SPRING	RESSORT DE GUIDE	FEDER FÜHRER	
64	22545137/0	2	PIASTRINA FISSAGGIO MANICO	PLATE FOR HANDLE FASTENING	PLAQUETTE FIXAGE MANCHERON	PLATTE HOLMBEFESTIGUNG	

TU

454

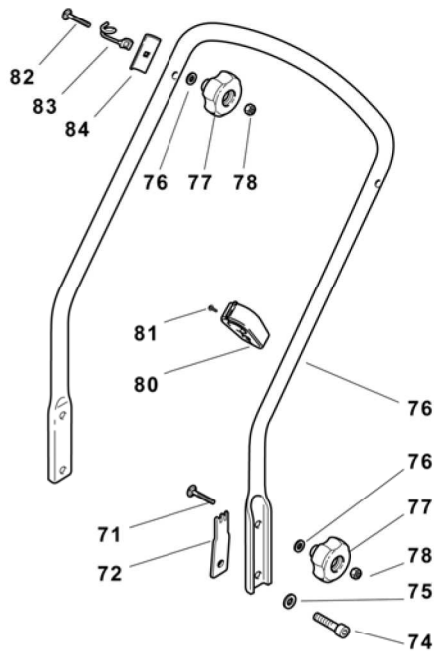
504



2007

852a.0

1 / 1

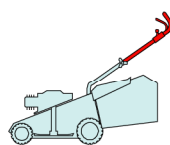


POS.	CODE	Q.TY	DESCRIZIONE	DESCRIPTION	DESCRIPTION	BESCHREIBUNG	REMARKS
71	12820655/0	2	VITE	SCREW	VIS	SCHRAUBE	
72	22551635/0	2	PIASTRINA FISSAGGIO MANICO	PLATE FOR HANDLE FASTENING	PLAQUETTE FIXAGE MANCHERON	PLATTE HOLMBEFESTIGUNG	
74	12760515/0	2	VITE	SCREW	VIS	SCHRAUBE	
75	12521350/0	2	ROSETTA	WASHER	RONDELLE	SCHEIBE	
76	81006641/0	1	MANICO, PARTE INF	HANDLE, LOWER PART	MANCHERON, PARTIE INFERIEURE	HOLM, UNTERTEIL	
-	12521350/0	4	ROSETTA	WASHER	RONDELLE	SCHEIBE	
77	22399810/0	4	MANOPOLINA	KNOB	POIGNÉE	GRIFF	
78	12361005/0	4	DADO	NUT	ECROU	MUTTER	
82	12820655/0	2	VITE	SCREW	VIS	SCHRAUBE	
83	22430311/0	1	MOLLA GUIDA	GUIDE SPRING	RESSORT DE GUIDE	FEDER FÜHRER	
84	22545137/0	2	PIASTRINA FISSAGGIO MANICO	PLATE FOR HANDLE FASTENING	PLAQUETTE FIXAGE MANCHERON	PLATTE HOLMBEFESTIGUNG	

TU

454

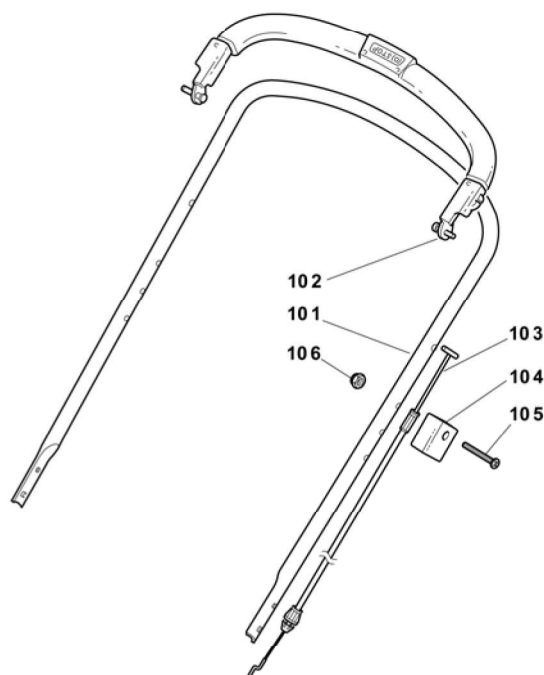
504



2007

853.0

1 / 1

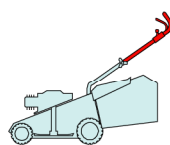


POS.	CODE	Q.TY	DESCRIZIONE	DESCRIPTION	DESCRIPTION	BESCHREIBUNG	REMARKS
101	81006616/1	1	MANICO, PARTE SUP	HANDLE, UPPER PART	MANCHERON, PARTIE SUPERIEURE	HOLM, OBERTEIL	(454)
-	81006618/1	1	MANICO, PARTE SUP	HANDLE, UPPER PART	MANCHERON, PARTIE SUPERIEURE	HOLM, OBERTEIL	(504)
102	81003298/1	1	LEVA FRENO MOTORE	LEVER, MOTOR BRAKE	LEVIER FREIN MOTEUR	HEBEL, MOTORBREMSE	
103	81000686/0	1	CAVO FRENO MOTORE	CABLE, THREAD ENG. BRAKE	CABLE FREIN MOTEUR	KABEL, MOTORBREMSE	(B&S)
-	81000685/0	1	CAVO FRENO MOTORE	CABLE, THREAD ENG. BRAKE	CABLE FREIN MOTEUR	KABEL, MOTORBREMSE	(B&S - HONDA)
-	81000721/0	1	CAVO FRENO MOTORE	CABLE, THREAD ENG. BRAKE	CABLE FREIN MOTEUR	KABEL, MOTORBREMSE	(GGP ENGINE)
-	81000689/0	1	CAVO FRENO MOTORE	CABLE, THREAD ENG. BRAKE	CABLE FREIN MOTEUR	KABEL, MOTORBREMSE	(GGP ENGINE SV 150)
-	81000687/0	1	CAVO FRENO MOTORE	CABLE, THREAD ENG. BRAKE	CABLE FREIN MOTEUR	KABEL, MOTORBREMSE	(HONDA - GGP ENGINE SV 200)
104	22551640/0	1	PIASTRINA	PLATE	PLAQUETTE	PLÄTTCHEN	
105	12727783/0	1	VITE	SCREW	VIS	SCHRAUBE	
106	12154510/0	1	DADO	NUT	ECROU	MUTTER	

TU

454

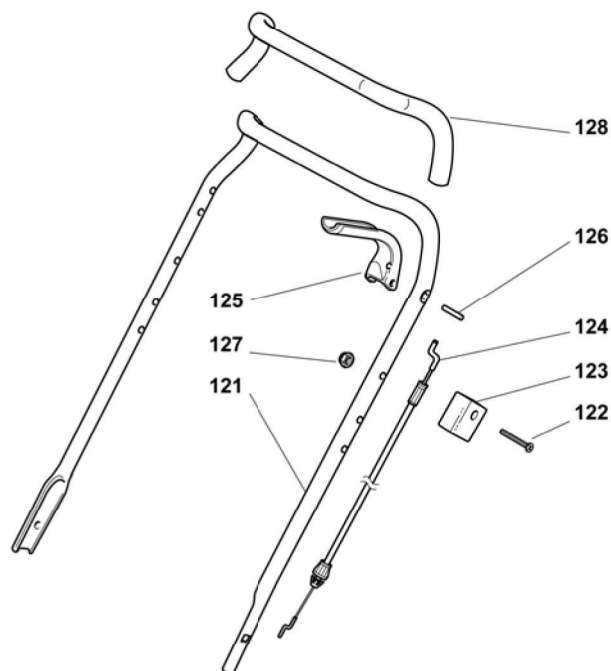
504



2007

853a.0

1 / 1

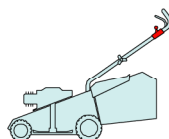


POS.	CODE	Q.TY	DESCRIZIONE	DESCRIPTION	DESCRIPTION	BESCHREIBUNG	REMARKS
121	81006597/1	1	MANICO, PARTE SUP	HANDLE, UPPER PART	MANCHERON, PARTIE SUPERIEURE	HOLM, OBERTEIL	
122	12727783/0	1	VITE	SCREW	VIS	SCHRAUBE	
123	22551640/0	1	PIASTRINA	PLATE	PLAQUETTE	PLÄTTCHEN	
124	81000683/0	1	CAVO FRENO MOTORE	CABLE, THREAD ENG. BRAKE	CABLE FREIN MOTEUR	KABEL, MOTORBREMSE	(B&S CLASSIC/SPRINT/LS/LC)
-	81000719/0	1	CAVO FRENO MOTORE	CABLE, THREAD ENG. BRAKE	CABLE FREIN MOTEUR	KABEL, MOTORBREMSE	(B&S QUANTUM)
-	81000737/0	1	CAVO FRENO MOTORE	CABLE, THREAD ENG. BRAKE	CABLE FREIN MOTEUR	KABEL, MOTORBREMSE	(GGP ENGINE)
125	22321700/0	1	LEVA FRENO MOTORE	LEVER, MOTOR BRAKE	LEVIER FREIN MOTEUR	HEBEL, MOTORBREMSE	
126	12645710/0	1	SPINA	PIN	GOUPILLE	STIFT	
127	12154510/0	1	DADO	NUT	ECROU	MUTTER	
128	22291057/0	1	IMPUGNATURA MANICO	HANDGRIP	POIGNÉE	HANDGRIFF	

TU

454

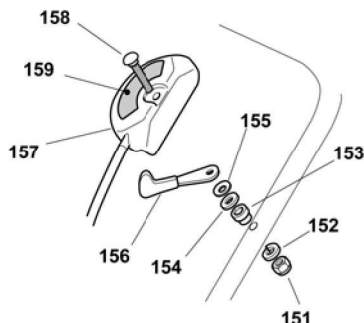
504



2007

853b.0

1 / 1



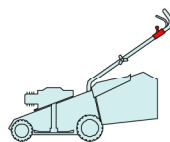
POS.	CODE	Q.TY	DESCRIZIONE	DESCRIPTION	DESCRIPTION	BESCHREIBUNG	REMARKS
151	12291000/0	1	DADO	NUT	ECROU	MUTTER	
152	12581500/0	1	GROWER	GROWER	GROWER	FEDERRING	
153	22171005/0	1	DISTANZIALE	SPACER	ENTRETOISE	DISTANZRING	
154	12521360/0	1	ROSETTA	WASHER	RONDELLE	SCHEIBE	
155	12508100/0	1	ROSETTA ELASTICA	SPRING WASHER	RONDELLE ELASTIQUE	ELASTISCHE SCHEIBE	
156	81007220/0	1	LEVA, ACCELERATORE	LEVER, THROTTLE	LEVIER, ACCELERATEUR	HEBEL, BESHLEUNIGER	(B&S CLASSIC/SPRINT/LS/LC - GGP ENGINE)
-	81007279/1	1	LEVA, ACCELERATORE	LEVER, THROTTLE	LEVIER, ACCELERATEUR	HEBEL, BESHLEUNIGER	(B&S QUANTUM - HONDA)
157	81007080/0	1	CAVO ACCELERATORE	CABLE, TROTTLE	CABLE, ACCELERATEUR	KABLE, BESCHLEUNIGER	
158	12815000/0	1	VITE	SCREW	VIS	SCHRAUBE	
159	14356703/0	1	ETICHETTA	LABEL	ETIQUETTE	ETIKETTE	(B&S)
-	14356702/0	1	ETICHETTA	LABEL	ETIQUETTE	ETIKETTE	(GGP ENGINE - HONDA)



TU

454

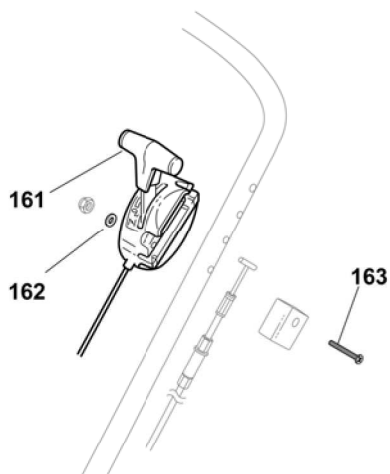
504



2007

853c.0

1 / 1

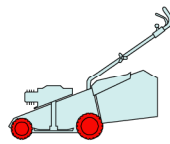


POS.	CODE	Q.TY	DESCRIZIONE	DESCRIPTION	DESCRIPTION	BESCHREIBUNG	REMARKS
161	81007128/0	1	CAVO ACCELERATORE	CABLE, TROTTLE	CABLE, ACCELERATEUR	KABLE, BESCHLEUNIGER	(B&S)
162	12523040/0	1	ROSETTA	WASHER	RONDELLE	SCHEIBE	

TU

454

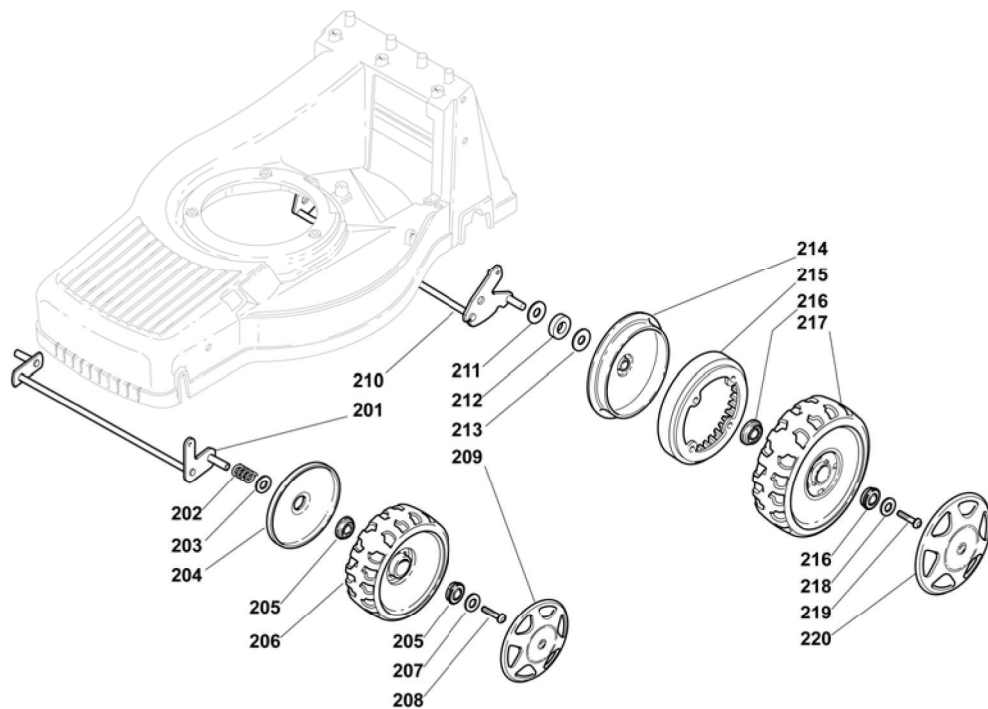
504



2007

854.0

1 / 1

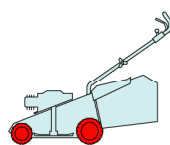


POS.	CODE	Q.TY	DESCRIZIONE	DESCRIPTION	DESCRIPTION	BESCHREIBUNG	REMARKS
201	81002843/0	1	ASSE RUOTE ANTERIORI	AXLE, FRONT WHEELS	AXE ROUES AVANT	ACHSE, VORDERRAD	(454)
-	81002845/0	1	ASSE RUOTE ANTERIORI	AXLE, FRONT WHEELS	AXE ROUES AVANT	ACHSE, VORDERRAD	(504)
202	22430215/0	2	MOLLA	SPRING	RESSORT	FEDER	
203	12521370/0	2	ROSETTA	WASHER	RONDELLE	SCHEIBE	
204	22600095/0	2	PROT. RUOTE	PROTECTION, WHEEL	PROTECTION ROUE	SCHÜTZ, RÄDER	
205	22122200/0	4	CUSCINETTO	BEARING	COUSSINET	LAGER	
206	22686091/1	2	RUOTA Ø 165	WHEEL Ø 165	ROUE Ø 165	RAD Ø 165	
207	12521460/0	2	ROSETTA	WASHER	RONDELLE	SCHEIBE	
208	12735662/0	2	VITE	SCREW	VIS	SCHRAUBE	
209	---	2	COPRIMOZZO	HUB CAP	COUVRE-MOYEU	RADKAPPE	(SEE ENCLOSURE 1)
210	81002841/0	1	ASSE RUOTE POSTERIORI	AXLE, REAR WHEELS	AXE ROUES ARRIERE	ACHSE, HINTERRAD	(454)
-	81002823/0	1	ASSE RUOTE POSTERIORI	AXLE, REAR WHEELS	AXE ROUES ARRIERE	ACHSE, HINTERRAD	(504)
211	12520032/0	2	ROSETTA	WASHER	RONDELLE	SCHEIBE	
212	22170815/0	2	DISTANZIALE	SPACER	ENTRETOISE	DISTANZRING	
213	12520032/0	2	ROSETTA	WASHER	RONDELLE	SCHEIBE	
214	22600122/0	2	PROT. RUOTE	PROTECTION, WHEEL	PROTECTION ROUE	SCHÜTZ, RÄDER	
215	22120109/0	2	CORONA	RING GEAR	COURONNE	KRANZ	
216	22122200/0	4	CUSCINETTO	BEARING	COUSSINET	LAGER	
217	22686093/0	2	RUOTA Ø 190	WHEEL Ø 190	ROUE Ø190	RAD Ø 190	
218	12521460/0	2	ROSETTA	WASHER	RONDELLE	SCHEIBE	
219	12735662/0	2	VITE	SCREW	VIS	SCHRAUBE	
220	---	2	COPRIMOZZO	HUB CAP	COUVRE-MOYEU	RADKAPPE	(SEE ENCLOSURE 2)

TU

454

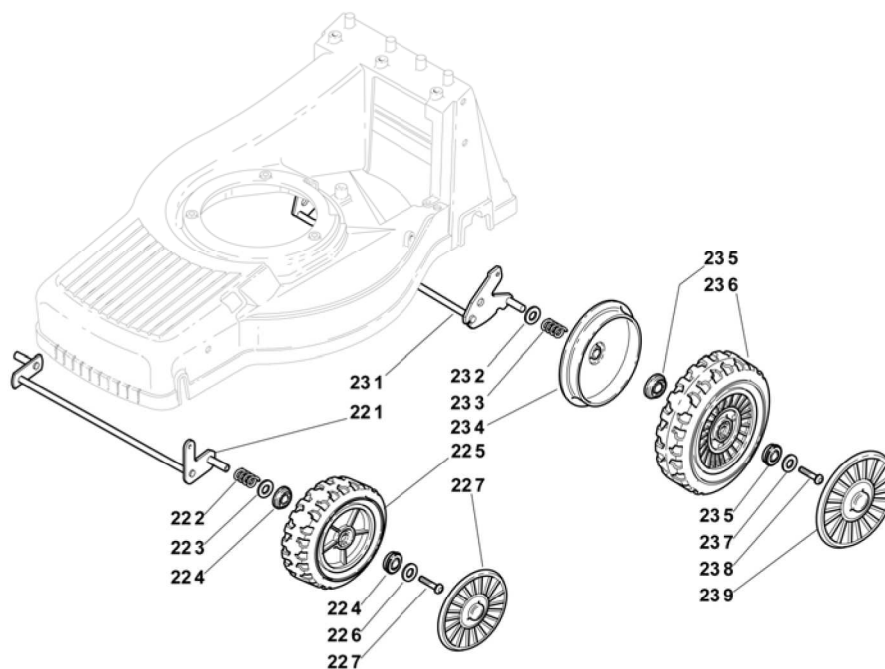
504



2007

854a.0

1 / 1

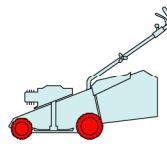


POS.	CODE	Q.TY	DESCRIZIONE	DESCRIPTION	DESCRIPTION	BESCHREIBUNG	REMARKS
221	81002843/0	1	ASSE RUOTE ANTERIORI	AXLE, FRONT WHEELS	AXE ROUES AVANT	ACHSE, VORDERRAD	(454)
-	81002845/0	1	ASSE RUOTE ANTERIORI	AXLE, FRONT WHEELS	AXE ROUES AVANT	ACHSE, VORDERRAD	(504)
222	22430210/0	2	MOLLA	SPRING	RESSORT	FEDER	
223	12521370/0	2	ROSETTA	WASHER	RONDELLE	SCHEIBE	
224	22122200/0	4	CUSCINETTO	BEARING	COUSSINET	LAGER	
225	81007351/0	2	RUOTA Ø 170	WHEEL Ø 170	ROUE Ø 170	RAD. Ø 170	
226	12521460/0	2	ROSETTA	WASHER	RONDELLE	SCHEIBE	
227	12735662/0	2	VITE	SCREW	VIS	SCHRAUBE	
228	---	2	COPRIMOZZO	HUB CAP	COUVRE-MOYEU	RADKAPPE	(SEE ENCLOSURE 1)
231	81002841/0	1	ASSE RUOTE POSTERIORI	AXLE, REAR WHEELS	AXE ROUES ARRIERE	ACHSE, HINTERRAD	(454)
-	81002823/0	1	ASSE RUOTE POSTERIORI	AXLE, REAR WHEELS	AXE ROUES ARRIERE	ACHSE, HINTERRAD	(504)
232	22671659/0	2	ROSETTA	WASHER	RONDELLE	SCHEIBE	
233	22430215/0	2	MOLLA	SPRING	RESSORT	FEDER	
234	22600122/0	2	PROT. RUOTE	PROTECTION, WHEEL	PROTECTION ROUE	SCHÜTZ, RÄDER	
235	22122201/0	4	CUSCINETTO	BEARING	COUSSINET	LAGER	
236	81007361/0	2	RUOTA Ø 190	WHEEL Ø 190	ROUE Ø190	RAD Ø 190	
237	12521460/0	2	ROSETTA	WASHER	RONDELLE	SCHEIBE	
238	12735662/0	2	VITE	SCREW	VIS	SCHRAUBE	
239	---	2	COPRIMOZZO	HUB CAP	COUVRE-MOYEU	RADKAPPE	(SEE ENCLOSURE 2)

TU

454

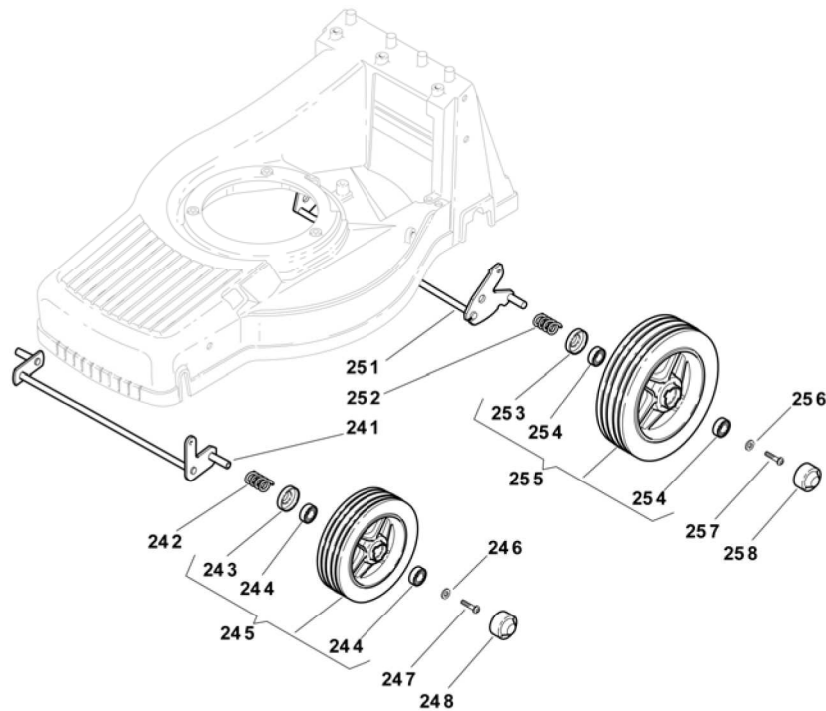
504



2007

854b.0

1 / 1

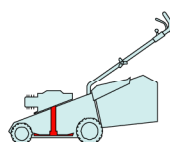


POS.	CODE	Q.TY	DESCRIZIONE	DESCRIPTION	DESCRIPTION	BESCHREIBUNG	REMARKS
241	81002817/0	1	ASSE RUOTE ANTERIORI	AXLE, FRONT WHEELS	AXE ROUES AVANT	ACHSE, VORDERRAD	(454)
-	81002821/0	1	ASSE RUOTE ANTERIORI	AXLE, FRONT WHEELS	AXE ROUES AVANT	ACHSE, VORDERRAD	(504)
242	22430210/0	2	MOLLA	SPRING	RESSORT	FEDER	
243	22160522/0	2	DISCO PARAPOLVERE	DUST COVER	PROTEGE-POUSSIÈRE	STAUBSCHUTTSCHIEBE	
244	19216039/0	4	CUSCINETTO	BEARING	COUSSINET	LAGER	
245	81007363/0	2	RUOTA Ø 175	WHEEL Ø 175	ROUE Ø 175	RAD Ø 175	
246	12521460/0	2	ROSETTA	WASHER	RONDELLE	SCHEIBE	
247	12735662/0	2	VITE	SCREW	VIS	SCHRAUBE	
248	22110379/0	2	COPRIMOZZO	HUB CAP	COUVRE-MOYEU	RADKAPPE	
251	81002819/0	1	ASSE RUOTE POSTERIORI	AXLE, REAR WHEELS	AXE ROUES ARRIÈRE	ACHSE, HINTERRAD	(454)
-	81002823/0	1	ASSE RUOTE POSTERIORI	AXLE, REAR WHEELS	AXE ROUES ARRIÈRE	ACHSE, HINTERRAD	(504)
252	22430215/0	2	MOLLA	SPRING	RESSORT	FEDER	
253	22160522/0	2	DISCO PARAPOLVERE	DUST COVER	PROTEGE-POUSSIÈRE	STAUBSCHUTTSCHIEBE	
254	19216039/0	4	CUSCINETTO	BEARING	COUSSINET	LAGER	
255	81007364/0	2	RUOTA Ø 190	WHEEL Ø 190	ROUE Ø190	RAD Ø 190	
256	12521460/0	2	ROSETTA	WASHER	RONDELLE	SCHEIBE	
257	12735592/0	2	VITE	SCREW	VIS	SCHRAUBE	
258	22110380/0	2	COPRIMOZZO	HUB CAP	COUVRE-MOYEU	RADKAPPE	

TU

454

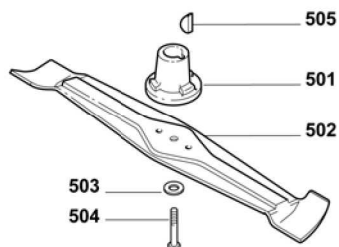
504



2007

855.0

1 / 1

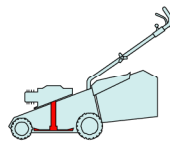


POS.	CODE	Q.TY	DESCRIZIONE	DESCRIPTION	DESCRIPTION	BESCHREIBUNG	REMARKS
501	22465618/0	1	MOZZO	HUB	MOYEU	HALTER	
502	81004131/0	1	COLTELLO	BLADE	LAME	MESSER	(454)
-	81004143/0	1	COLTELLO ALETTATO	BLADE WINGED	LAME AILETTÉE	MESSER FLÜGEL	(504)
503	12530140/0	1	ROSETTA	WASHER	RONDELLE	SCHEIBE	
504	12735698/0	1	VITE	SCREW	VIS	SCHRAUBE	
505	12139100/0	1	LINGUETTA	FEATHER	CLAVETTE	KEIL	

TU

454

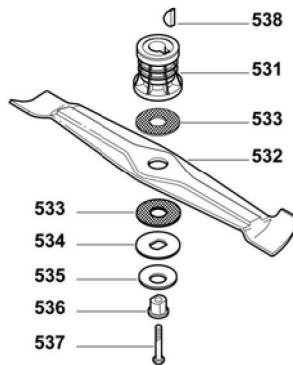
504



2007

855a.0

1 / 1

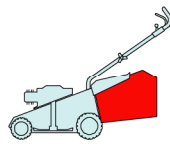


POS.	CODE	Q.TY	DESCRIZIONE	DESCRIPTION	DESCRIPTION	BESCHREIBUNG	REMARKS
531	22465619/0	1	MOZZO	HUB	MOYEU	HALTER	
532	81004132/0	1	COLTELLO ALETTATO	BLADE WINGED	LAME AILETTÉE	MESSER FLÜGEL	(454)
-	81004135/0	1	COLTELLO ALETTATO	BLADE WINGED	LAME AILETTÉE	MESSER FLÜGEL	(504)
533	22672111/0	2	RONDELLA FRIZIONE	CLUTCH WASHER	RONDELLE FRICTION	KUPPLUNGSCHEIBE	
534	22672105/0	1	ROSETTA	WASHER	RONDELLE	SCHEIBE	
535	12508120/0	1	MOLLA A TAZZA	CUPPED SPRING	RESSORT	TELLER FEDER	
536	22041940/0	1	BUSSOLA FRIZIONE	CLUTCH BUSH	DOUILLE FRICTION	KUPPLUNGSSCHEIBE	
537	12736850/0	1	VITE	SCREW	VIS	SCHRAUBE	
538	12139100/0	1	LINGUETTA	FEATHER	CLAVETTE	KEIL	

TU

454

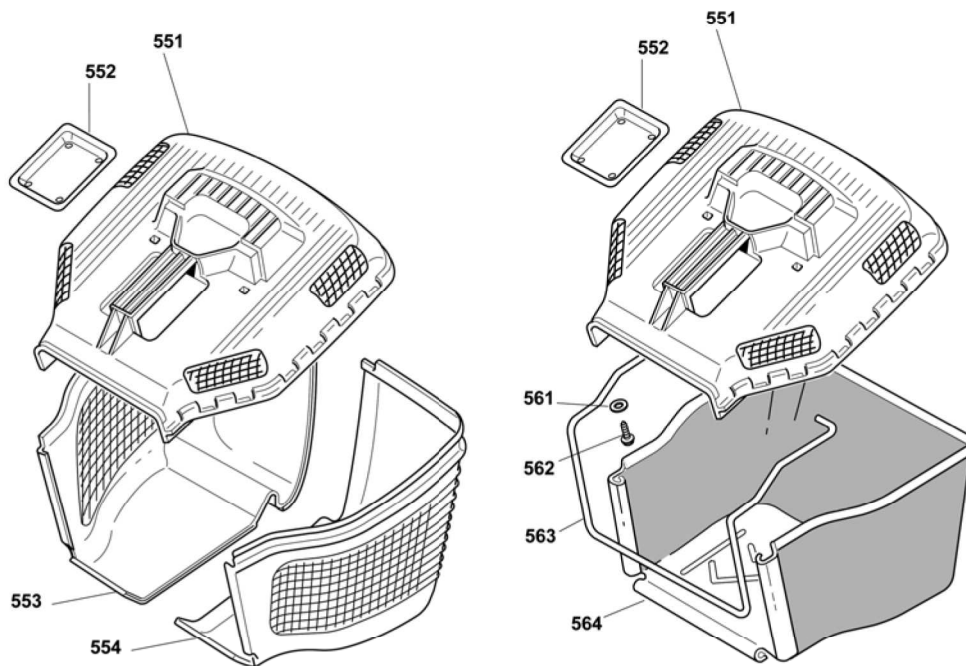
504



2007

856.0

1 / 1



POS.	CODE	Q.TY	DESCRIZIONE	DESCRIPTION	DESCRIPTION	BESCHREIBUNG	REMARKS
551	22486115/0	1	SACCO, PARTE SUP	GRASS-BOX, UPPER PART	SAC, PARTIE SUPERIEURE	KORB, OBERTEIL	(454)
-	22486095/0	1	SACCO, PARTE SUP	GRASS-BOX, UPPER PART	SAC, PARTIE SUPERIEURE	KORB, OBERTEIL	(504)
552	22486098/0	1	PIASTRINA	PLATE	PLAQUETTE	PLÄTTCHEN	
553	22486120/0	1	SACCO, PARTE INF DX	GRASS-BOX, R LOWER	SAC, PARTIE INFERIEURE D	KORB, R UNTERTEIL	(454)
-	22486099/0	1	SACCO, PARTE INF DX	GRASS-BOX, R LOWER	SAC, PARTIE INFERIEURE D	KORB, R UNTERTEIL	(504)
554	22486119/0	1	SACCO, PARTE INF SX	GRASS-BOX, L LOWER	SAC, PARTIE INFERIEURE G	KORB, L UNTERTEIL	(454)
-	22486100/0	1	SACCO, PARTE INF SX	GRASS-BOX, L LOWER	SAC, PARTIE INFERIEURE G	KORB, L UNTERTEIL	(504)
561	12521460/0	2	ROSETTA	WASHER	RONDELLE	SCHEIBE	
562	12728300/0	2	VITE	SCREW	VIS	SCHRAUBE	
563	22608518/0	1	RINFORZO INF	STIFFENING LOWER	RÉNFORCEMENT INF	VERSTÄRKUNG UNTERE	(454)
-	22608528/0	1	RINFORZO INF	STIFFENING LOWER	RÉNFORCEMENT INF	VERSTÄRKUNG UNTERE	(504)
564	81002239/0	1	SACCO, TELA	BOX, FABRIC	SAC, TOILE	SACK, TUCK	(454)
-	81002235/0	1	SACCO, TELA	BOX, FABRIC	SAC, TOILE	SACK, TUCK	(504)