

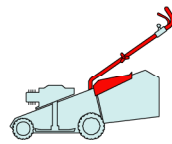
ES

ESL

464

TR

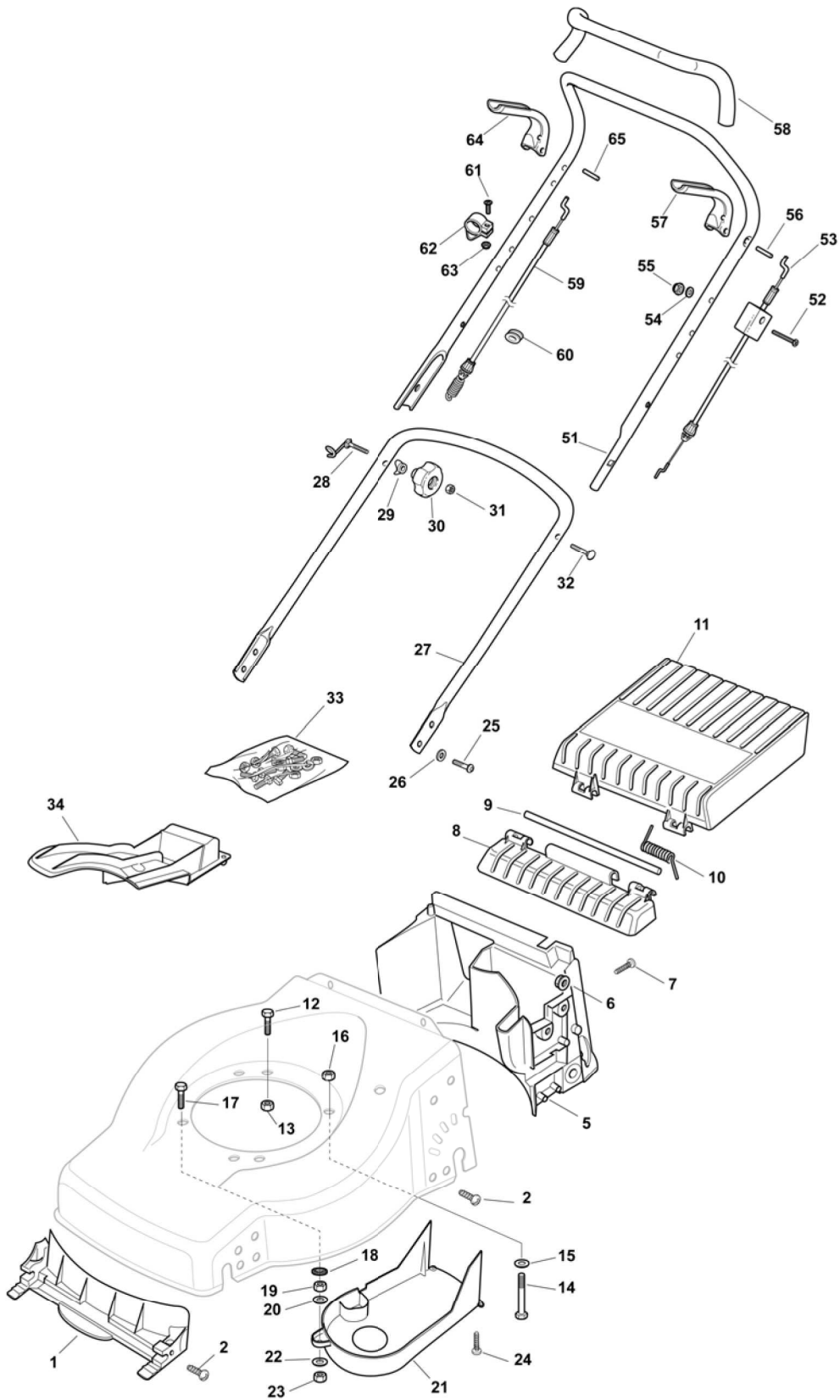
TR/E



2007

721.0

1 / 2



POS.	CODE	Q.TY	DESCRIZIONE	DESCRIPTION	DESCRIPTION	BESCHREIBUNG	REMARKS
1	22108271/0	1	CONVOGL. ANTERIORE	FRONT CONVEYOR ASSY	ENS. CONVOYEUR AVANT	HINTERLEITBLECHVORDER	
2	12728686/0	6	VITE	SCREW	VIS	SCHRAUBE	
5	22108272/2	1	CONVOGL. POSTERIORE	REAR CONVEYOR ASSY	ENS. CONVOYEUR POST.	HINTERLEITBLECHSATZ	
6	22131750/0	4	DADO	NUT	ECROU	MUTTER	
7	12728686/0	2	VITE	SCREW	VIS	SCHRAUBE	



POS.	CODE	Q.TY	DESCRIZIONE	DESCRIPTION	DESCRIPTION	BESCHREIBUNG	REMARKS
8	22785136/1	1	SUPPORTO	SUPPORT	SUPPORT	HALTER	
9	22517858/0	1	PERNO	PIN	PIVOT	BOLZEN	
10	22450431/0	1	MOLLA	SPRING	RESSORT	FEDER	
11	22600099/0	1	PARASASSI	STONE-GUARD	PARE-PIERRES	PRALLBLECH	
12	12793701/0	2/1	VITE	SCREW	VIS	SCHRAUBE	
13	12293201/0	2/1	DADO	NUT	ECROU	MUTTER	
14	12691800/0	0/1	VITE	SCREW	VIS	SCHRAUBE	(B&S QUANTUM)
15	12521350/0	0/1	ROSETTA	WASHER	RONDELLE	SCHEIBE	(B&S QUANTUM)
16	12155000/0	0/1	DADO	NUT	ECROU	MUTTER	(B&S QUANTUM)
17	12775000/0	0/1	VITE	SCREW	VIS	SCHRAUBE	(B&S CLASSIC/SPRINT/LS/LC)
-	12793801/0	0/1	VITE	SCREW	VIS	SCHRAUBE	(B&S QUANTUM)
-	12691115/0	0/1	VITE	SCREW	VIS	SCHRAUBE	(GGP ENGINE)
18	12540060/0	1	ROSETTA	WASHER	RONDELLE	SCHEIBE	
19	12293200/0	1	DADO	NUT	ECROU	MUTTER	
20	22671651/0	1	ROSETTA	WASHER	RONDELLE	SCHEIBE	
21	22060212/0	1	CARTER CINGHIA	PROTECTION, BELT	PROTECTION COURROIRE	SCHUTZ, RIEMEN	
22	25670011/0	1	ROSETTA	WASHER	RONDELLE	SCHEIBE	
23	12155000/0	1	DADO	NUT	ECROU	MUTTER	
24	12728686/0	2	VITE	SCREW	VIS	SCHRAUBE	
25	12760605/0	4	VITE	SCREW	VIS	SCHRAUBE	
26	12521350/0	4	ROSETTA	WASHER	RONDELLE	SCHEIBE	
27	81006570/0	1	MANICO, PARTE INF	HANDLE, LOWER PART	MANCHERON, PARTIE INFERIEURE	HOLM, UNTERTEIL	
28	81003801/1	1	MOLLA GUIDA	GUIDE SPRING	RESSORT DE GUIDE	FEDER FÜHRER	
29	22680006/1	2	ROSETTA	WASHER	RONDELLE	SCHEIBE	
30	22399804/0	2	MANOPOLINA	KNOB	POIGNÉE	GRIFF	
31	12293200/0	2	DADO	NUT	ECROU	MUTTER	
32	12819201/0	1	VITE	SCREW	VIS	SCHRAUBE	
33	81008648/1	1	DOTAZIONE VITERIA	OUTFIT, SCREWS	DOTATION VISSERIE	SATZ, SCHRAUBEN	
34	22140226/0	1	DEFLETTORE	DEFLECTOR	DEFLECTEUR	DEFLEKTOR	
51	81006578/1	1	MANICO, PARTE SUP	HANDLE, UPPER PART	MANCHERON, PARTIE SUPERIEURE	HOLM, OBERTEIL	
52	12674700/0	1	VITE	SCREW	VIS	SCHRAUBE	
53	81000681/0	1	CAVO FRENO MOTORE	CABLE, THREAD ENG. BRAKE	CABLE FREIN MOTEUR	KABEL, MOTORBREMSE	(B&S - HONDA)
-	81000758/0	1	CAVO FRENO MOTORE	CABLE, THREAD ENG. BRAKE	CABLE FREIN MOTEUR	KABEL, MOTORBREMSE	(GGP ENGINE)
54	12521330/0	1	ROSETTA	WASHER	RONDELLE	SCHEIBE	
55	12292100/0	1	DADO	NUT	ECROU	MUTTER	
56	12645710/0	1	SPINA	PIN	GOUPILLE	STIFT	
57	22321700/0	1	LEVA FRENO MOTORE	LEVER, MOTOR BRAKE	LEVIER FREIN MOTEUR	HEBEL, MOTORBREMSE	
58	22291057/0	1	IMPUGNATURA MANICO	HANDGRIP	POIGNÉE	HANDGRIFF	
59	81000654/0	1	CAVO COMANDO TRAZIONE	CABLE, REAR DRIVE	CÂBLE, COMMANDE TRACTION	KABEL, ANTRIEB	
60	18564520/1	1	PASSACAVO	FAIR LEAD	PASSE CABLE	KABELDURCHGANG	
61	12769616/0	1	VITE	SCREW	VIS	SCHRAUBE	
62	22806521/0	1	FASCETTA	CLAMP	COLLIER	BOWDENZUGHALTER	
63	12292100/0	1	DADO	NUT	ECROU	MUTTER	
64	22321701/0	1	LEVA TRAZIONE	DRIVING LEVER	LEVIER TRACTION	ANTRIEBHEBEL	
65	12645710/0	1	SPINA	PIN	GOUPILLE	STIFT	

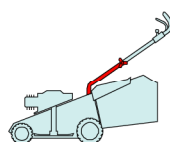
ES

ESL

464

TR

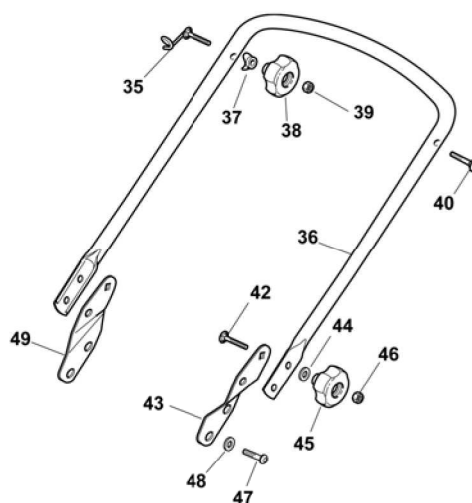
TR/E



2007

721a.0

1 / 1



POS.	CODE	Q.TY	DESCRIZIONE	DESCRIPTION	DESCRIPTION	BESCHREIBUNG	REMARKS
35	81003801/1	1	MOLLA GUIDA	GUIDE SPRING	RESSORT DE GUIDE	FEDER FÜHRER	
36	81006576/0	1	MANICO INFERIORE	HANDLE, LOWER PART	MANCHERON INFÉRIEURE	HOLM, UNTERTEIL	
37	22680006/1	2	ROSETTA	WASHER	RONDELLE	SCHEIBE	
38	22399804/0	2	MANOPOLINA	KNOB	POIGNÉE	GRIFF	
39	12293200/0	2	DADO	NUT	ECROU	MUTTER	
40	12819201/0	1	VITE	SCREW	VIS	SCHRAUBE	
42	12818900/0	2	VITE	SCREW	VIS	SCHRAUBE	
43	22778425/0	1	STAFFA SX	BRACKET, L	BRIDE G	PRATZE, LINKE	
44	22671653/0	2	ROSETTA	WASHER	RONDELLE	SCHEIBE	
45	22399804/0	2	MANOPOLINA	KNOB	POIGNÉE	GRIFF	
46	12293200/0	2	DADO	NUT	ECROU	MUTTER	
47	12760605/0	4	VITE	SCREW	VIS	SCHRAUBE	
48	12521350/0	4	ROSETTA	WASHER	RONDELLE	SCHEIBE	
49	22778423/0	1	STAFFA DX	BRACKET, R	BRIDE D	PRATZE, RECHTE	

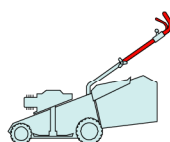
ES

ESL

464

TR

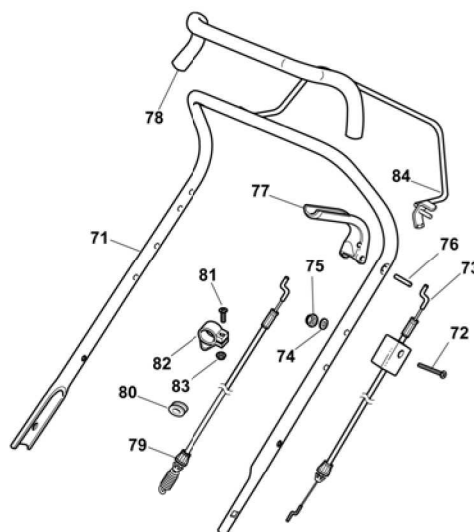
TR/E



2007

721b.0

1 / 1



POS.	CODE	Q.TY	DESCRIZIONE	DESCRIPTION	DESCRIPTION	BESCHREIBUNG	REMARKS
71	81006578/1	1	MANICO, PARTE SUP	HANDLE, UPPER PART	MANCHERON, PARTIE SUPERIEURE	HOLM, OBERTEIL	
72	12674700/0	1	VITE	SCREW	VIS	SCHRAUBE	
73	81000681/0	1	CAVO FRENO MOTORE	CABLE, THREAD ENG. BRAKE	CABLE FREIN MOTEUR	KABEL, MOTORBREMSE	(B&S - HONDA)
-	81000758/0	1	CAVO FRENO MOTORE	CABLE, THREAD ENG. BRAKE	CABLE FREIN MOTEUR	KABEL, MOTORBREMSE	(GGP ENGINE)
74	12521330/0	1	ROSETTA	WASHER	RONDELLE	SCHEIBE	
75	12292100/0	1	DADO	NUT	ECROU	MUTTER	
76	12645710/0	1	SPINA	PIN	GOUPILLE	STIFT	
77	22321700/0	1	LEVA FRENO MOTORE	LEVER, MOTOR BRAKE	LEVIER FREIN MOTEUR	HEBEL, MOTORBREMSE	
78	22291057/0	1	IMPUGNATURA MANICO	HANDGRIP	POIGNÉE	HANDGRIFF	
79	81000658/0	1	CAVO COMANDO TRAZIONE	CABLE, REAR DRIVE	CÂBLE, COMMANDE TRACTION	KABEL, ANTRIEB	
80	18564520/1	1	PASSACAVO	FAIR LEAD	PASSE CABLE	KABELDURCHGANG	
81	12769616/0	1	VITE	SCREW	VIS	SCHRAUBE	
82	22806521/0	1	FASCETTA	CLAMP	COLLIER	BOWDENZUGHALTER	
83	12292100/0	1	DADO	NUT	ECROU	MUTTER	
84	81003299/0	1	LEVA TRAZIONE	DRIVING LEVER	LEVIER TRACTION	ANTRIEBHEBEL	

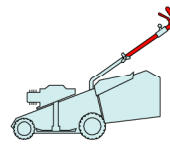
ES

ESL

464

TR

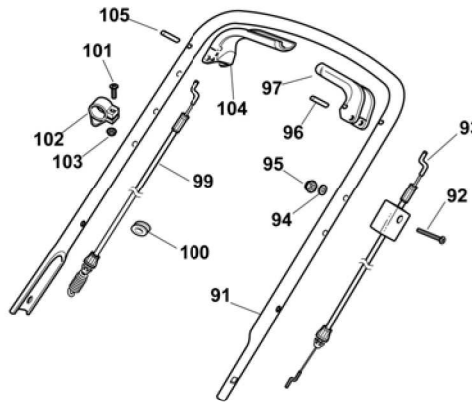
TR/E



2007

721c.0

1 / 1



POS.	CODE	Q.TY	DESCRIZIONE	DESCRIPTION	DESCRIPTION	BESCHREIBUNG	REMARKS
91	81006577/0	1	MANICO, PARTE SUP	HANDLE, UPPER PART	MANCHERON, PARTIE SUPERIEURE	HOLM, OBERTEIL	
92	12674700/0	1	VITE	SCREW	VIS	SCHRAUBE	
93	81000655/0	1	CAVO FRENO MOTORE	CABLE, THREAD ENG. BRAKE	CABLE FREIN MOTEUR	KABEL, MOTORBREMSE	(B&S)
-	81000612/0	1	CAVO FRENO MOTORE	CABLE, THREAD ENG. BRAKE	CABLE FREIN MOTEUR	KABEL, MOTORBREMSE	(GGP ENGINE)
-	81000655/0	1	CAVO FRENO MOTORE	CABLE, THREAD ENG. BRAKE	CABLE FREIN MOTEUR	KABEL, MOTORBREMSE	(HONDA)
94	12521330/0	1	ROSETTA	WASHER	RONDELLE	SCHEIBE	
95	12292100/0	1	DADO	NUT	ECROU	MUTTER	
96	12645710/0	1	SPINA	PIN	GOUPILLE	STIFT	
97	22321700/0	1	LEVA FRENO MOTORE	LEVER, MOTOR BRAKE	LEVIER FREIN MOTEUR	HEBEL, MOTORBREMSE	
99	81000654/0	1	CAVO COMANDO TRAZIONE	CABLE, REAR DRIVE	CÂBLE, COMMANDE TRACTION	KABEL, ANTRIEB	
100	18564520/1	1	PASSACAVO	FAIR LEAD	PASSE CABLE	KABELDURCHGANG	
101	12769616/0	1	VITE	SCREW	VIS	SCHRAUBE	
102	22806521/0	1	FASCETTA	CLAMP	COLLIER	BOWDENZUGHALTER	
103	12292100/0	1	DADO	NUT	ECROU	MUTTER	
104	22321701/0	1	LEVA TRAZIONE	DRIVING LEVER	LEVIER TRACTION	ANTRIEBHEBEL	
105	12645710/0	1	SPINA	PIN	GOUPILLE	STIFT	

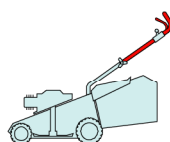
ES

ESL

464

TR

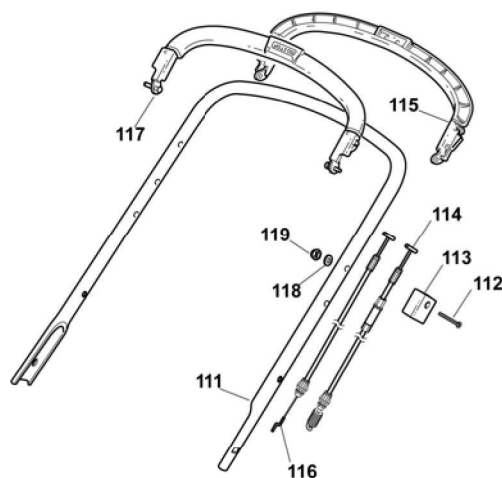
TR/E



2007

721d.0

1 / 1



POS.	CODE	Q.TY	DESCRIZIONE	DESCRIPTION	DESCRIPTION	BESCHREIBUNG	REMARKS
111	81006579/0	1	MANICO, PARTE SUP	HANDLE, UPPER PART	MANCHERON, PARTIE SUPERIEURE	HOLM, OBERTEIL	
112	12689500/0	1	VITE	SCREW	VIS	SCHRAUBE	
113	22551640/0	1	PIASTRINA	PLATE	PLAQUETTE	PLÄTTCHEN	
114	81000659/0	1	CAVO COMANDO TRAZIONE	CABLE, REAR DRIVE	CÂBLE, COMMANDE TRACTION	KABEL, ANTRIEB	
115	81003297/1	1	LEVA TRAZIONE	DRIVING LEVER	LEVIER TRACTION	ANTRIEBHEBEL	
116	81000657/0	1	CAVO FRENO MOTORE	CABLE, THREAD ENG. BRAKE	CABLE FREIN MOTEUR	KABEL, MOTORBREMSE	(B&S)
-	81000743/0	1	CAVO FRENO MOTORE	CABLE, THREAD ENG. BRAKE	CABLE FREIN MOTEUR	KABEL, MOTORBREMSE	(GGP ENGINE)
117	81003298/1	1	LEVA FRENO MOTORE	LEVER, MOTOR BRAKE	LEVIER FREIN MOTEUR	HEBEL, MOTORBREMSE	
118	12521330/0	1	ROSETTA	WASHER	RONDELLE	SCHEIBE	
119	12292100/0	1	DADO	NUT	ECROU	MUTTER	

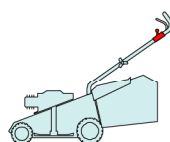
ES

ESL

464

TR

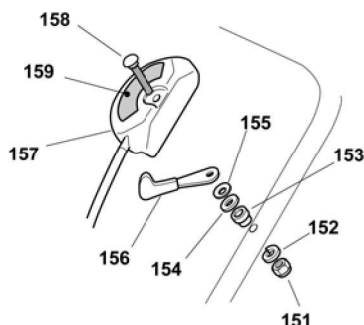
TR/E



2007

722.0

1 / 1



POS.	CODE	Q.TY	DESCRIZIONE	DESCRIPTION	DESCRIPTION	BESCHREIBUNG	REMARKS
151	12291000/0	1	DADO	NUT	ECROU	MUTTER	
152	12581500/0	1	GROWER	GROWER	GROWER	FEDERRING	
153	22171005/0	1	DISTANZIALE	SPACER	ENTRETOISE	DISTANZRING	
154	12521360/0	1	ROSETTA	WASHER	RONDELLE	SCHEIBE	
155	12508100/0	1	ROSETTA ELASTICA	SPRING WASHER	RONDELLE ELASTIQUE	ELASTISCHE SCHEIBE	
156	81007220/0	1	LEVA, ACCELERATORE	LEVER, THROTTLE	LEVIER, ACCELERATEUR	HEBEL, BESHLEUNIGER	(B&S CLASSIC/SPRINT/LS/LC - GGP ENGINE M150/SV15)
-	81007279/1	1	LEVA, ACCELERATORE	LEVER, THROTTLE	LEVIER, ACCELERATEUR	HEBEL, BESHLEUNIGER	(B&S QUANTUM - HONDA - GGP ENGINE SV200)
157	81007080/0	1	CAVO ACCELERATORE	CABLE, TROTTLE	CABLE, ACCELERATEUR	KABLE, BESHLEUNIGER	
158	12815000/0	1	VITE	SCREW	VIS	SCHRAUBE	
159	14356703/0	1	ETICHETTA	LABEL	ETIQUETTE	ETIKETTE	(B&S)
-	14356702/0	1	ETICHETTA	LABEL	ETIQUETTE	ETIKETTE	(GGP ENGINE - HONDA)

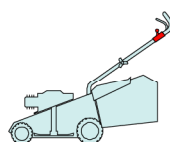
ES

ESL

464

TR

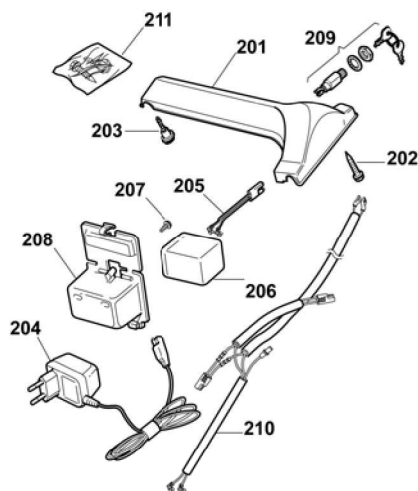
TR/E



2007

733.0

1 / 1



POS.	CODE	Q.TY	DESCRIZIONE	DESCRIPTION	DESCRIPTION	BESCHREIBUNG	REMARKS
201	22120148/0	1	CRUSCOTTO GIALLO	DASH BOARD YELLOW	CONSOLE JAUNE	KONSOLE GELBE	
-	22120164/0	1	CRUSCOTTO NERO	DASH BOARD BLACK	CONSOLE NOIRE	KONSOLE SCHWARZE	
-	22120150/0	1	CRUSCOTTO ROSSO	DASH BOARD RED	CONSOLE ROUCE	KONSOLE ROTE	
202	12728460/0	1	VITE	SCREW	VIS	SCHRAUBE	
203	22943006/0	1	VITE	SCREW	VIS	SCHRAUBE	
204	18204120/0	1	CARICA BATTERIA	BATTERY CHARGER	CHARGEUR DE BATTERIE	LADGERÄT	
-	18204121/0	1	CARICA BATTERIA	BATTERY CHARGER	CHARGEUR DE BATTERIE	LADGERÄT	(UK)
205	22063002/1	1	CAVO AVVIAMENTO	CABLE, START	CABLE DÉMARRAGE	KABEL, START	
206	18120053/0	1	BATTERIA	BATTERY	BATTERIE	BATTERIE	
207	12728691/0	1	VITE	SCREW	VIS	SCHRAUBE	
208	22109533/0	1	CONTENITORE BATTERIA	BATTERY BOX	CONTENEUR DE BATTERIE	BATTERIE BEHALTER	
209	18450050/0	1	INTERRUTTORE	SWITCH	INTERRUPTEUR	SCHALTER	
210	18204192/2	1	CAVO AVVIAMENTO	CABLE, START	CABLE DÉMARRAGE	KABEL, START	
211	81008609/0	1	DOTAZIONE VITERIA CRUSCOTTO	OUTFIT, DASH-BOARD SCREWS	DOTATION VISSERIE CONSOLLE	SATZ, KONSOLE SCHRAUBEN	

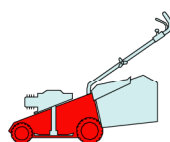
ES

ESL

464

TR

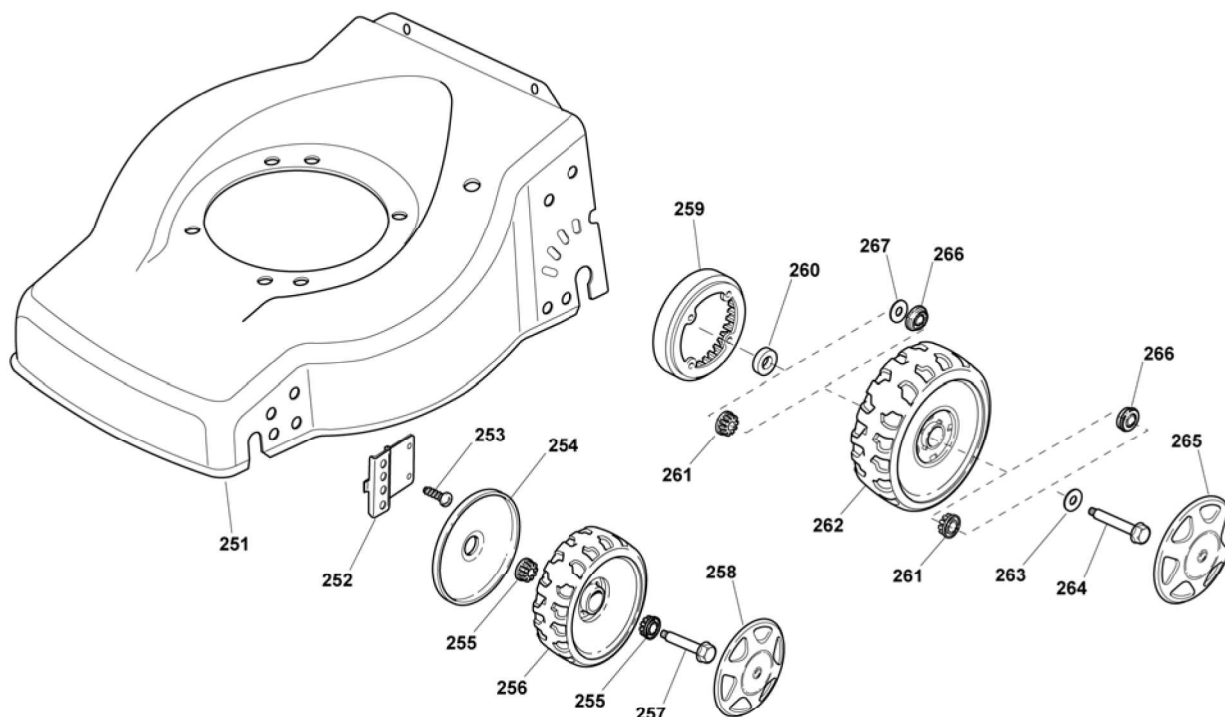
TR/E



2007

733a.0

1 / 1



POS.	CODE	Q.TY	DESCRIZIONE	DESCRIPTION	DESCRIPTION	BESCHREIBUNG	REMARKS
251	81002652/0	1	CHASSIS ROSSO	DECK RED	CHÂSSIS ROUGE	GEHÄUSE ROT	
252	22551523/0	2	PIASTRA ANTERIORE	PLATE, FRONT	PLAQUE ANTÉRIEURE	PLATTE, VORDER	
253	12728686/0	4	VITE	SCREW	VIS	SCHRAUBE	
254	22600095/0	2	PROT. RUOTE	PROTECTION, WHEEL	PROTECTION ROUE	SCHÜTZ, RÄDER	
255	22034515/1	4	BUSSOLA	BUSH	DOUILLE	BUCHSE	
256	22686091/1	2	RUOTA Ø 165	WHEEL Ø 165	ROUE Ø 165	RAD Ø 165	
257	22524340/0	2	PERNO	PIN	PIVOT	BOLZEN	
258	---	2	COPRIMOZZO	HUB CAP	COUVRE-MOYEU	RADKAPPE	(SEE ENCLOSURE 1)
259	22120109/0	2	CORONA	RING GEAR	COURONNE	KRANZ	
260	22170622/0	2	DISTANZIALE	SPACER	ENTRETOISE	DISTANZRING	
261	22034508/0	4	BUSSOLA	BUSH	DOUILLE	BUCHSE	
262	22686093/0	2	RUOTA Ø 190	WHEEL Ø 190	ROUE Ø 190	RAD Ø 190	
263	12523050/0	2	ROSETTA	WASHER	RONDELLE	SCHEIBE	
264	12735599/0	2	VITE	SCREW	VIS	SCHRAUBE	
265	---	2	COPRIMOZZO	HUB CAP	COUVRE-MOYEU	RADKAPPE	(SEE ENCLOSURE 2)
266	22122200/0	4	CUSCINETTO	BEARING	COUSSINET	LAGER	
267	22675100/0	2	ROSETTA	WASHER	RONDELLE	SCHEIBE	

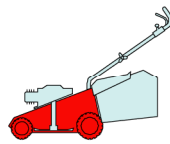
ES

ESL

464

TR

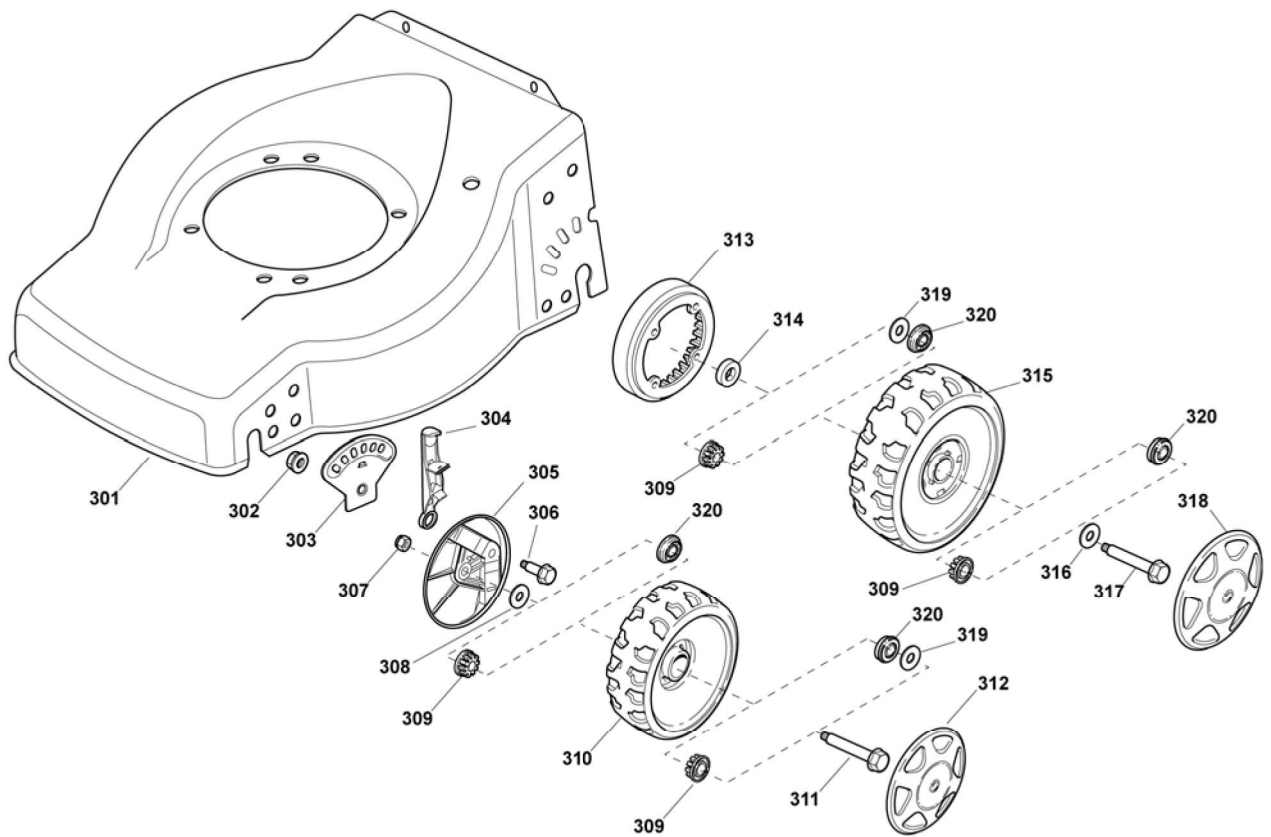
TR/E



2007

733b.0

1 / 1



POS.	CODE	Q.TY	DESCRIZIONE	DESCRIPTION	DESCRIPTION	BESCHREIBUNG	REMARKS
301	81002538/0	1	CHASSIS ROSSO	DECK RED	CHÂSSIS ROUGE	GEHÄUSE ROT	
302	22131750/0	2	DADO	NUT	ECROU	MUTTER	
303	22735557/0	2	SETTORE DI REGOLAZIONE	SECTOR, HEIGHT ADJUSTMENT	SECTEUR REGLAGE	SEKTOR, HÖHEVERSTELLUNG	
304	81003306/0	2	LEVA REGOLAZIONE ALTEZZA	LEVER, HEIGHT ADJUSTMENT	LEVIER REGLAGE HAUTEUR	HEBEL, HÖNEVERSTELLUNG	
305	22600096/0	2	PROT. RUOTE	PROTECTION, WHEEL	PROTECTION ROUE	SCHÜTZ, RÄDER	
306	22524324/0	2	PERNO	PIN	PIVOT	BOLZEN	
307	12155000/0	2	DADO	NUT	ECROU	MUTTER	
308	25670011/0	2	ROSETTA	WASHER	RONDELLE	SCHEIBE	
309	22034508/0	8	BUSSOLA	BUSH	DOUILLE	BUCHSE	
310	22686091/1	2	RUOTA Ø 165	WHEEL Ø 165	ROUE Ø 165	RAD Ø 165	
311	22524341/0	2	PERNO	PIN	PIVOT	BOLZEN	
312	---	2	COPRIMOZZO	HUB CAP	COUVRE-MOYEU	RADKAPPE	(SEE ENCLOSURE 1)
313	22120109/0	2	CORONA	RING GEAR	COURONNE	KRANZ	
314	22170622/0	2	DISTANZIALE	SPACER	ENTRETOISE	DISTANZRING	
315	22686093/0	2	RUOTA Ø 190	WHEEL Ø 190	ROUE Ø190	RAD Ø 190	
316	12523050/0	2	ROSETTA	WASHER	RONDELLE	SCHEIBE	
317	12735599/0	2	VITE	SCREW	VIS	SCHRAUBE	
318	---	2	COPRIMOZZO	HUB CAP	COUVRE-MOYEU	RADKAPPE	(SEE ENCLOSURE 2)
319	22675100/0	4	ROSETTA	WASHER	RONDELLE	SCHEIBE	
320	22122200/0	8	CUSCINETTO	BEARING	COUSSINET	LAGER	

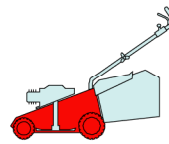
ES

ESL

464

TR

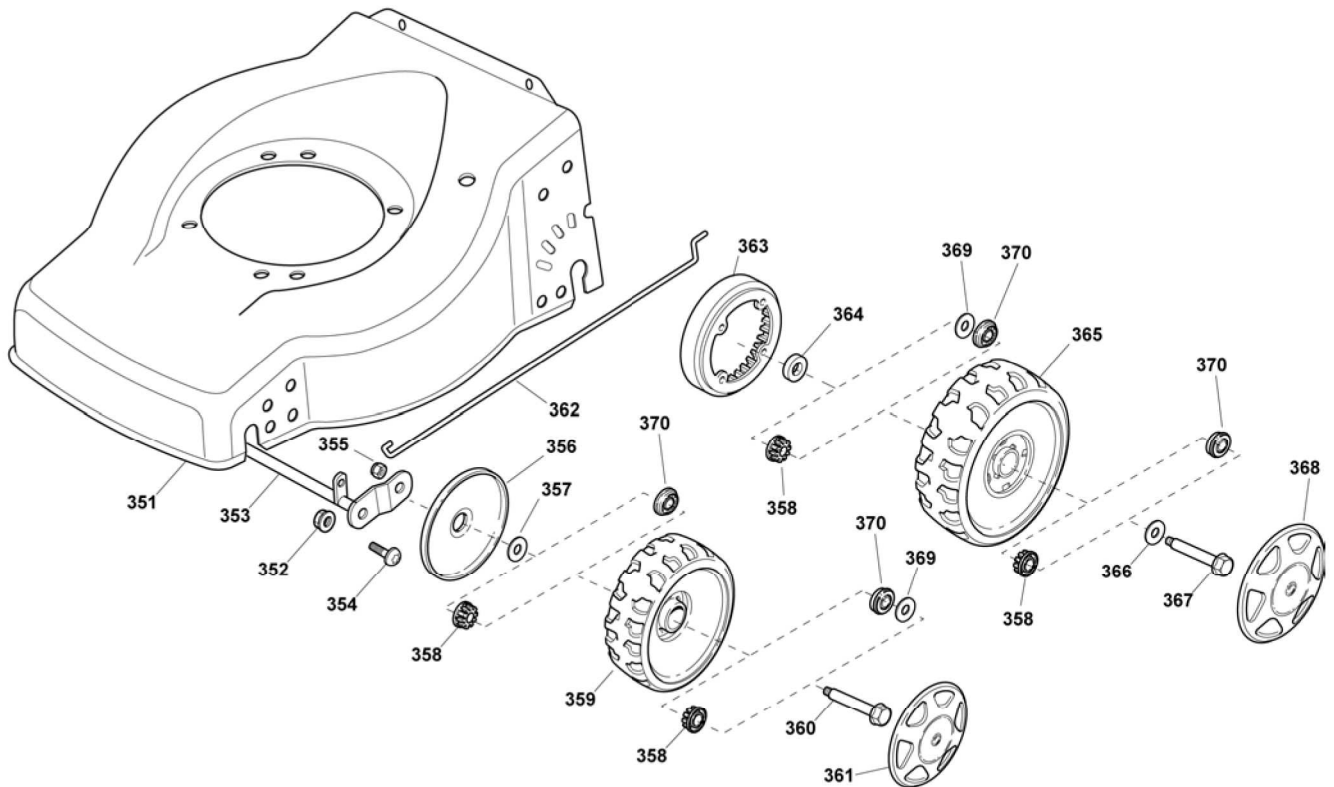
TR/E



2007

733c.0

1 / 1



POS.	CODE	Q.TY	DESCRIZIONE	DESCRIPTION	DESCRIPTION	BESCHREIBUNG	REMARKS
351	81002538/0	1	CHASSIS ROSSO	DECK RED	CHÂSSIS ROUGE	GEHÄUSE ROT	
352	12155000/0	2	DADO	NUT	ECROU	MUTTER	
353	81000153/0	1	ASSE RUOTE ANTERIORI	AXLE, FRONT WHEELS	AXE ROUES AVANT	ACHSE, VORDERRAD	
354	12760600/0	2	VITE	SCREW	VIS	SCHRAUBE	
355	22131750/0	2	DADO	NUT	ECROU	MUTTER	
356	22600095/0	2	PROT. RUOTE	PROTECTION, WHEEL	PROTECTION ROUE	SCHÜTZ, RÄDER	
357	22671651/0	2	ROSETTA	WASHER	RONDELLE	SCHEIBE	
358	22034508/0	8	BUSSOLA	BUSH	DOUILLE	BUCHSE	
359	22686091/1	2	RUOTA Ø 165	WHEEL Ø 165	ROUE Ø 165	RAD Ø 165	
360	22524341/0	2	PERNO	PIN	PIVOT	BOLZEN	
361	---	2	COPRIMOZZO	HUB CAP	COUVRE-MOYEU	RADKAPPE	(SEE ENCLOSURE 1)
362	22033317/0	1	ASTA REGOLAZIONE	ADJUSTMENT ROD	TIGE REGLAGE	VERSTELLUNGSTANGE	
363	22120109/0	2	CORONA	RING GEAR	COURONNE	KRANZ	
364	22170622/0	2	DISTANZIALE	SPACER	ENTRETOISE	DISTANZRING	
365	22686093/0	2	RUOTA Ø 190	WHEEL Ø 190	ROUE Ø190	RAD Ø 190	
366	12523050/0	2	ROSETTA	WASHER	RONDELLE	SCHEIBE	
367	12735599/0	2	VITE	SCREW	VIS	SCHRAUBE	
368	---	2	COPRIMOZZO	HUB CAP	COUVRE-MOYEU	RADKAPPE	(SEE ENCLOSURE 2)
369	22675100/0	4	ROSETTA	WASHER	RONDELLE	SCHEIBE	
370	22122200/0	8	CUSCINETTO	BEARING	COUSSINET	LAGER	

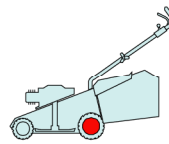
ES

ESL

464

TR

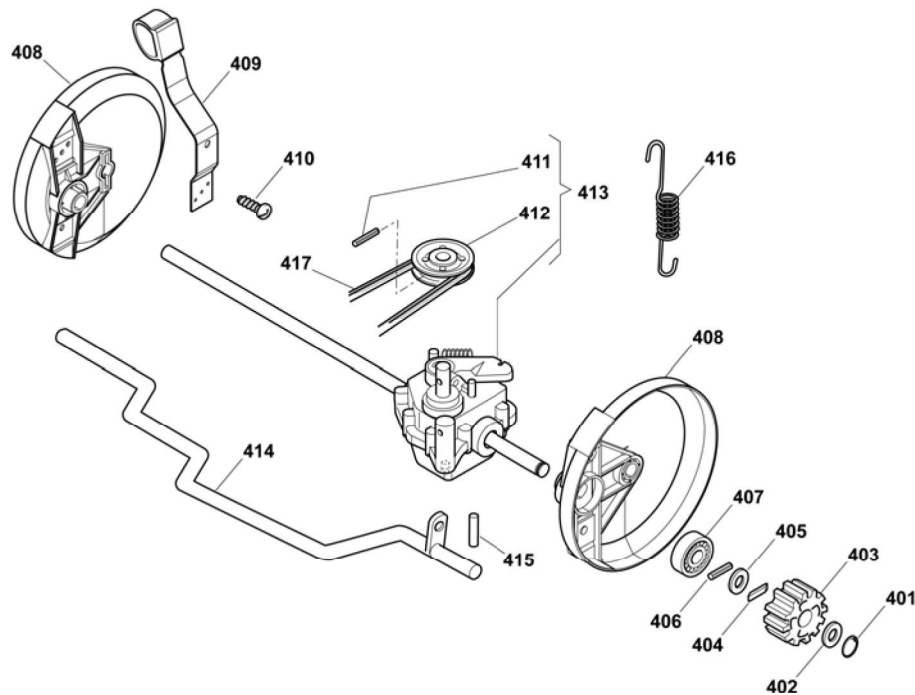
TR/E



2007

734.0

1 / 1



POS.	CODE	Q.TY	DESCRIZIONE	DESCRIPTION	DESCRIPTION	BESCHREIBUNG	REMARKS
401	12608520/0	2	SEEGER	SEEGER	SEEGER	SEEGER	
402	22160520/0	2	DISCO PARAPOLVERE	DUST COVER	PROTEGE-POUSSIÈRE	STAUBSCHUTTSCHIEBE	
403	22570125/0	2	PIGNONE	PINION	PIGNON	RITZEL	
404	22076645/0	2	CHIAVE	KEY	CLEF	SCHLÜSSEL	
405	22160520/0	2	DISCO PARAPOLVERE	DUST COVER	PROTEGE-POUSSIÈRE	STAUBSCHUTTSCHIEBE	
406	12622620/0	2	SPINA	PIN	GOUPILLE	STIFT	
407	22122202/0	2	CUSCINETTO	BEARING	COUSSINET	LAGER	
408	22600106/1	2	PROT. RUOTE	PROTECTION, WHEEL	PROTECTION ROUE	SCHÜTZ, RÄDER	
409	81003303/0	1	LEVA REGOLAZIONE ALTEZZA	LEVER, HEIGHT ADJUSTMENT	LEVIER REGLAGE HAUTEUR	HEBEL, HÖNEVERSTELLUNG	
410	12728689/0	2	VITE	SCREW	VIS	SCHRAUBE	
411	12713801/0	1	GRANO	DOWEL	GRAIN	STIFT	
412	22601904/0	1	PULEGGIA	PULLEY	POULIE	RIEMENSCHIEBE	
413	81003093/0	1	GRUPPO TRAZIONE	GEAR BOX	GROUPE TRACTION	ANTRIEB	
414	22033393/0	1	ASSE RUOTE POSTERIORI	AXLE, REAR WHEELS	AXE ROUES ARRIÈRE	ACHSE, HINTERRAD	
415	22753001/0	2	SPINA	PIN	GOUPILLE	STIFT	
416	22450438/0	1	MOLLA	SPRING	RESSORT	FEDER	
417	35063750/0	1	CINGHIA	BELT	COURROIRE	RIEMEN	

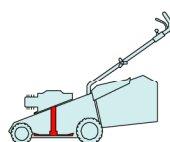
ES

ESL

464

TR

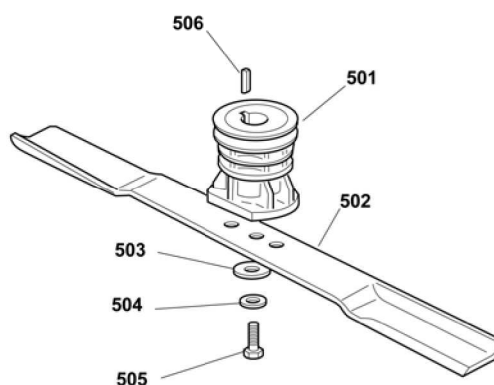
TR/E



2007

735.0

1 / 2



POS.	CODE	Q.TY	DESCRIZIONE	DESCRIPTION	DESCRIPTION	BESCHREIBUNG	REMARKS
501	22465607/2	1	MOZZO	HUB	MOYEU	HALTER	
502	81004365/3	1	COLTELLO STANDARD	BLADE STANDARD	LAME STANDARD	MESSER STANDARD	
503	22160400/0	1	DISCO ELASTICO	ELASTIC WASHER	DISQUE ELASTIQUE	FEDERSCHEIBE	
504	12523080/0	1	ROSETTA	WASHER	RONDELLE	SCHEIBE	
505	12735698/0	1	VITE	SCREW	VIS	SCHRAUBE	
506	12139100/0	1	LINGUETTA	FEATHER	CLAVETTE	KEIL	

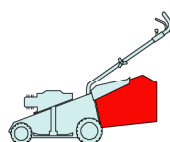
ES

ESL

464

TR

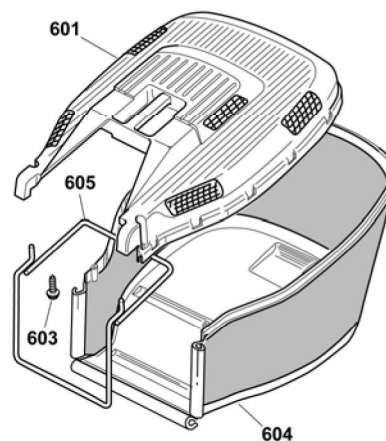
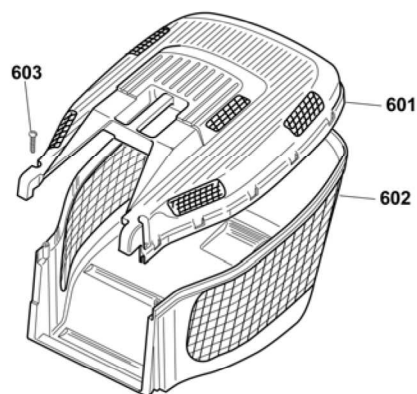
TR/E



2007

736.0

1 / 1



POS.	CODE	Q.TY	DESCRIZIONE	DESCRIPTION	DESCRIPTION	BESCHREIBUNG	REMARKS
601	22486122/0	1	SACCO, PARTE SUP	GRASS-BOX, UPPER PART	SAC, PARTIE SUPERIEURE	KORB, OBERTEIL	
602	22486128/0	1	SACCO, PARTE INF	GRASS-BOX, LOWER PART	SAC, PARTIE INFERIEURE	KORB, UNTERTEIL	
603	12728686/0	2	VITE	SCREW	VIS	SCHRAUBE	
604	81002229/0	1	SACCO, TELA	BOX, FABRIC	SAC, TOILE	SACK, TUCK	
605	81006419/0	1	TELAIO SACCO	CHASSIS BOX	CHÂSSIS BAC	RAHMEN SACK	