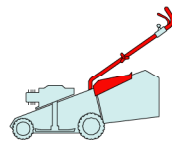
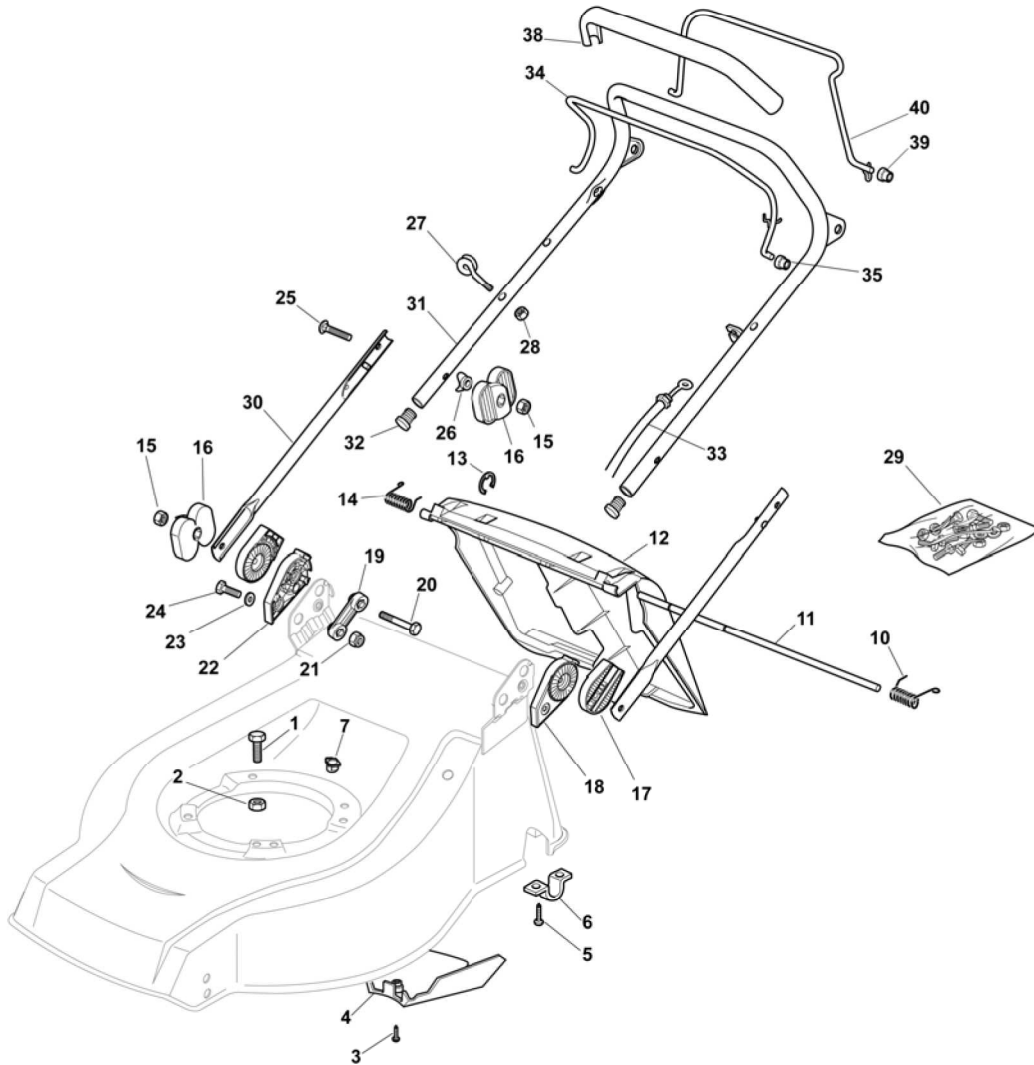


| CA | | CAL | | | |
|-----|------|-------|---------|------|--------|
| 434 | | 484 | | 534 | |
| TR | TR/E | TR 4S | TR/E 4S | W TR | W TR/E |



| |
|-------|
| 2007 |
| 621.0 |
| 1 / 2 |



| POS. | CODE | Q.TY | DESCRIZIONE | DESCRIPTION | DESCRIPTION | BESCHREIBUNG | REMARKS |
|------|------------|------|------------------|------------------|----------------------|----------------|-------------|
| 1 | 12793701/0 | 3/2 | VITE | SCREW | VIS | SCHRAUBE | |
| - | 12691800/0 | 0/1 | VITE | SCREW | VIS | SCHRAUBE | |
| 2 | 12293201/0 | 3/2 | DADO | NUT | ECROU | MUTTER | |
| - | 12155000/0 | 0/1 | DADO | NUT | ECROU | MUTTER | |
| 3 | 12727791/0 | 1 | VITE | SCREW | VIS | SCHRAUBE | (434) |
| - | 12728530/0 | 1 | VITE | SCREW | VIS | SCHRAUBE | (484 - 534) |
| 4 | 22060191/1 | 1 | CARTER CINGHIA | PROTECTION, BELT | PROTECTION COURROIRE | SCHUTZ, RIEMEN | (434) |
| - | 22060195/0 | 1 | CARTER CINGHIA | PROTECTION, BELT | PROTECTION COURROIRE | SCHUTZ, RIEMEN | (484) |
| - | 22060196/0 | 1 | CARTER CINGHIA | PROTECTION, BELT | PROTECTION COURROIRE | SCHUTZ, RIEMEN | (534) |
| 5 | 12731350/0 | 4 | VITE | SCREW | VIS | SCHRAUBE | |
| 6 | 22545152/0 | 2 | PIASTRINA | PLATE | PLAQUETTE | PLÄTTCHEN | |
| 7 | 22291150/0 | 1 | INSERTO IN GOMMA | RUBBER INSERT | INSERT DE GAOUTCHOUC | GUMMI EINSATZ | (484 - 534) |
| 10 | 22450420/1 | 1 | MOLLA SX | L SPRING | RESSORT C | LINKE FEDER | |
| 11 | 22517906/1 | 1 | PERNO | PIN | PIVOT | BOLZEN | |
| 12 | 22600063/1 | 1 | PARASASSI | STONE-GUARD | PARE-PIERRES | PRALLBLECH | |
| 13 | 12000930/0 | 1 | ANELLO ELASTICO | SNAP RING | ANNEAU RESSORT | SPRENGRING | |
| 14 | 22450410/1 | 1 | MOLLA DX | R SPRING | RESSORT D | RECHTE FEDER | |
| 15 | 12293202/0 | 4 | DADO | NUT | ECROU | MUTTER | |



| POS. | CODE | Q.TY | DESCRIZIONE | DESCRIPTION | DESCRIPTION | BESCHREIBUNG | REMARKS |
|------|------------|------|----------------------------|--------------------------|---------------------------------|---------------------|---|
| 16 | 22399803/0 | 4 | MANOPOLINA | KNOB | POIGNÉE | GRIFF | |
| 17 | 22785081/1 | 2 | SUPPORTO ESTERNO | SUPPORT, EXTERNAL | SUPPORT EXTERNE | HALTER, AUßERE | |
| 18 | 22785083/1 | 1 | SUPPORTO INTERNO | SUPPORT, INTERNAL | SUPPORT INTERNE | HALTER, INNERE | |
| 19 | 22551575/0 | 2 | PIASTRINA INTERNA | PLATE, INSIDE | PLAQUETTE INTERNE | PLATTE, INNERE | |
| 20 | 12691810/0 | 2 | VITE | SCREW | VIS | SCHRAUBE | |
| 21 | 12155000/0 | 2 | DADO | NUT | ECROU | MUTTER | |
| 22 | 22785082/0 | 1 | SUPPORTO INTERNO | SUPPORT, INTERNAL | SUPPORT INTERNE | HALTER, INNERE | |
| 23 | 12521350/0 | 2 | ROSETTA | WASHER | RONDELLE | SCHEIBE | |
| 24 | 12793701/0 | 2 | VITE | SCREW | VIS | SCHRAUBE | |
| 25 | 12819125/0 | 2 | VITE | SCREW | VIS | SCHRAUBE | |
| 26 | 22680006/1 | 2 | ROSETTA | WASHER | RONDELLE | SCHEIBE | |
| 27 | 22430309/0 | 1 | MOLLA GUIDA | GUIDE SPRING | RESSORT DE GUIDE | FEDER FÜHRER | |
| 28 | 12154330/0 | 1 | DADO | NUT | ECROU | MUTTER | |
| 29 | 81008633/0 | 1 | DOTAZIONE VITERIA | OUTFIT, SCREWS | DOTATION VISSERIE | SATZ, SCHRAUBEN | |
| 30 | 81006531/0 | 2 | MANICO, PARTE INF | HANDLE, LOWER PART | MANCHERON, PARTIE INFERIEURE | HOLM, UNTERTEIL | |
| 31 | 81006981/0 | 1 | MANICO, PARTE SUP | HANDLE, UPPER PART | MANCHERON, PARTIE SUPERIEURE | HOLM, OBERTEIL | |
| 32 | 18566112/0 | 2 | PUNTALE | CAP | BOUCHON | GUMMISTOPFEN | |
| 33 | 81000625/0 | 1 | CAVO FRENO MOTORE | CABLE, THREAD ENG. BRAKE | CABLE FREIN MOTEUR | KABEL, MOTORBREMSE | (434 - 484 (B&S CLASSIC/SPRINT/LS/LC)) |
| - | 81000641/0 | 1 | CAVO FRENO MOTORE | CABLE, THREAD ENG. BRAKE | CABLE FREIN MOTEUR | KABEL, MOTORBREMSE | (434 - 484 (HONDA GCV 135/160/190)) |
| - | 81000633/0 | 1 | CAVO FRENO MOTORE | CABLE, THREAD ENG. BRAKE | CABLE FREIN MOTEUR | KABEL, MOTORBREMSE | (434 (B&S QUANTUM)) |
| - | 81000631/0 | 1 | CAVO FRENO MOTORE | CABLE, THREAD ENG. BRAKE | CABLE FREIN MOTEUR | KABEL, MOTORBREMSE | (484 (B&S QUANTUM)) |
| - | 81000643/0 | 1 | CAVO FRENO MOTORE | CABLE, THREAD ENG. BRAKE | CABLE FREIN MOTEUR | KABEL, MOTORBREMSE | (534 (B&S CLASSIC/SPRINT/LS/LC)) |
| - | 81000642/1 | 1 | CAVO FRENO MOTORE | CABLE, THREAD ENG. BRAKE | CABLE FREIN MOTEUR | KABEL, MOTORBREMSE | (534 (B&S QUANTUM)) |
| - | 81000616/1 | 1 | CAVO FRENO MOTORE | CABLE, THREAD ENG. BRAKE | CABLE FREIN MOTEUR | KABEL, MOTORBREMSE | (534 (GGP ENGINE SV200)) |
| - | 81000640/1 | 1 | CAVO FRENO MOTORE | CABLE, THREAD ENG. BRAKE | CABLE FREIN MOTEUR | KABEL, MOTORBREMSE | (534 (HONDA GCV 135/160/190)) |
| - | 81000760/0 | 1 | CAVO FRENO MOTORE | CABLE, THREAD ENG. BRAKE | CABLE FREIN MOTEUR | KABEL, MOTORBREMSE | (534 W TR (ENGINE M150/SV150)) |
| - | 81000611/0 | 1 | CAVO FRENO MOTORE | CABLE, THREAD ENG. BRAKE | CABLE FREIN MOTEUR | KABEL, MOTORBREMSE | (GGP ENGINE M150/SV150) |
| 34 | 81003291/3 | 1 | LEVA FRENO MOTORE | LEVER, MOTOR BRAKE | LEVIER FREIN MOTEUR | HEBEL, MOTORBREMSE | |
| 35 | 22041966/0 | 2 | BUSSOLA | BUSH | DOUILLE | BUCHSE | |
| 38 | 22291050/0 | 1 | IMPUGNATURA MANICO NERA | HANDGRIP BLACK | POIGNÉE NOIRE | HANDGRIFF SCHWARZER | |
| 39 | 22041965/1 | 2 | BUSSOLA | BUSH | DOUILLE | BUCHSE | |
| 40 | 81003288/1 | 1 | LEVA TRAZIONE | DRIVING LEVER | LEVIER TRACTION | ANTRIEBHEBEL | |

CA

CAL

434

484

534

TR

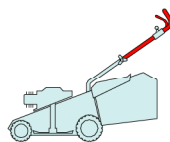
TR/E

TR 4S

TR/E 4S

W TR

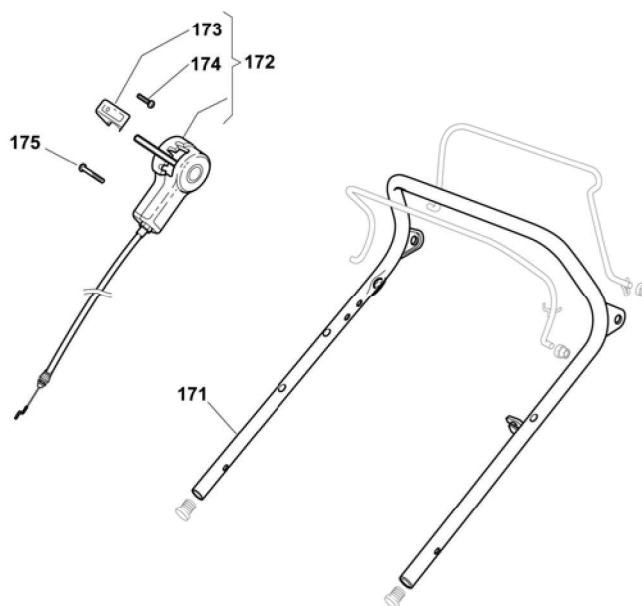
W TR/E



2007

621a.0

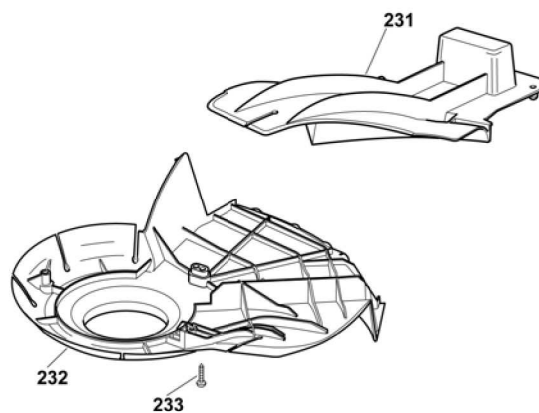
1 / 1



| POS. | CODE | Q.TY | DESCRIZIONE | DESCRIPTION | DESCRIPTION | BESCHREIBUNG | REMARKS |
|------|------------|------|--------------------|----------------------------|---------------------------------|----------------------|----------|
| 171 | 81006989/0 | 1 | MANICO, PARTE SUP | HANDLE, UPPER PART | MANCHERON, PARTIE SUPERIEURE | HOLM, OBERTEIL | |
| 172 | 81007109/0 | 1 | CAVO COMANDO MARCE | CABLE, SPEED DRIVE CONTROL | CABLE, COMM. CHANGEMENT VITESSE | KABEL, GÄNGESCHALTUN | (484 4S) |
| - | 81007110/0 | 1 | CAVO COMANDO MARCE | CABLE, SPEED DRIVE CONTROL | CABLE, COMM. CHANGEMENT VITESSE | KABEL, GÄNGESCHALTUN | (534 4S) |
| 173 | 22399809/0 | 1 | MANOPOLINA | KNOB | POIGNÉE | GRIFF | (4S) |
| 174 | 12728300/0 | 1 | VITE | SCREW | VIS | SCHRAUBE | (4S) |
| 175 | 12728702/0 | 2 | VITE | SCREW | VIS | SCHRAUBE | (4S) |

| CA | | CAL | | | |
|-----|------|-------|---------|------|--------|
| 434 | | 484 | | 534 | |
| TR | TR/E | TR 4S | TR/E 4S | W TR | W TR/E |

| |
|--------|
| 2007 |
| 621b.0 |
| 1 / 1 |



| POS. | CODE | Q.TY | DESCRIZIONE | DESCRIPTION | DESCRIPTION | BESCHREIBUNG | REMARKS |
|------|------------|------|-------------|-------------|-------------|--------------|---------|
| 231 | 22140223/0 | 1 | DEFLETTORE | DEFLECTOR | DEFLECTEUR | DEFLEKTOR | (484) |
| - | 22140222/0 | 1 | DEFLETTORE | DEFLECTOR | DEFLECTEUR | DEFLEKTOR | (534) |
| 232 | 22060199/0 | 1 | CARTER | PROTECTION | PROTECTION | SCHUTZ | (484) |
| - | 22060197/1 | 1 | CARTER | PROTECTION | PROTECTION | SCHUTZ | (534) |
| 233 | 12728530/0 | 3 | VITE | SCREW | VIS | SCHRAUBE | |

CA

CAL

434

484

534

TR

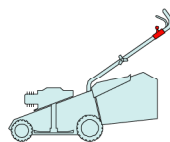
TR/E

TR 4S

TR/E 4S

W TR

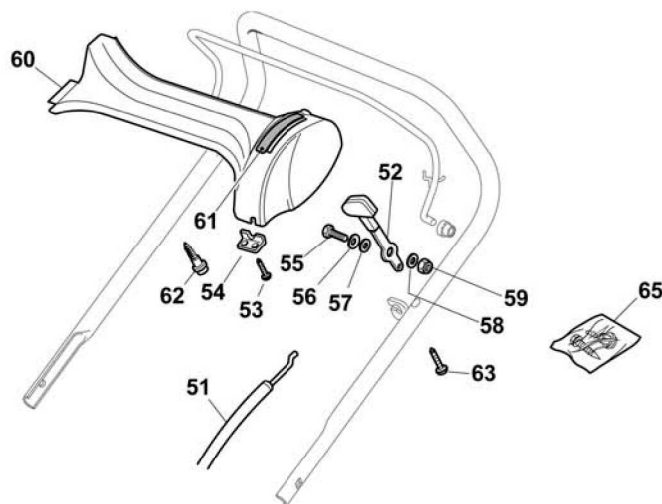
W TR/E



2007

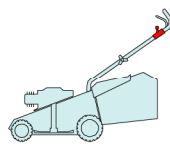
622.0

1 / 1

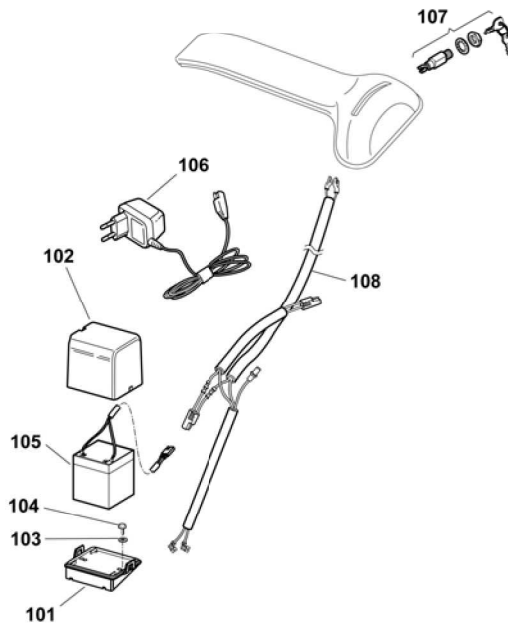


| POS. | CODE | Q.TY | DESCRIZIONE | DESCRIPTION | DESCRIPTION | BESCHREIBUNG | REMARKS |
|------|------------|------|--------------------------------|------------------------------|-------------------------------|----------------------------|--|
| 51 | 81007160/0 | 1 | CAVO ACCELERATORE | CABLE, TROTTLE | CABLE, ACCELERATEUR | KABLE, BESCHLEUNIGER | |
| 52 | 81007221/0 | 1 | LEVA, ACCELERATORE | LEVER, THROTTLE | LEVIER, ACCELERATEUR | HEBEL, BESHLEUNIGER | (B&S CLASSIC/SPRINT/LS/LC - GGP ENGINE M150/SV150) |
| - | 81007280/2 | 1 | LEVA, ACCELERATORE | LEVER, THROTTLE | LEVIER, ACCELERATEUR | HEBEL, BESHLEUNIGER | (B&S QUANTUM - HONDA - GGP ENGINE SV200) |
| 53 | 12735105/0 | 2 | VITE | SCREW | VIS | SCHRAUBE | |
| 54 | 22981467/0 | 1 | PIASTRINA | PLATE | PLAQUETTE | PLÄTTCHEN | |
| 55 | 12791500/0 | 1 | VITE | SCREW | VIS | SCHRAUBE | |
| 56 | 12530060/0 | 1 | ROSETTA ELASTICA | SPRING WASHER | RONDELLE ELASTIQUE | ELASTISCHE SCHEIBE | |
| 57 | 12523040/0 | 1 | ROSETTA | WASHER | RONDELLE | SCHEIBE | |
| 58 | 12523040/0 | 1 | ROSETTA | WASHER | RONDELLE | SCHEIBE | |
| 59 | 12154510/0 | 1 | DADO | NUT | ECROU | MUTTER | |
| 60 | 22120174/0 | 1 | CRUSCOTTO GIALLO | DASH BOARD YELLOW | CONSOLE JAUNE | KONSOLE GELBE | |
| - | 22120172/0 | 1 | CRUSCOTTO NERO | DASH BOARD BLACK | CONSOLE NOIRE | KONSOLE SCHWARZE | |
| - | 22120173/0 | 1 | CRUSCOTTO ROSSO | DASH BOARD RED | CONSOLE ROUGE | KONSOLE ROTE | |
| 61 | 14356744/0 | 1 | ETICHETTA | LABEL | ETIQUETTE | ETIKETTE | (B&S) |
| - | 14356743/0 | 1 | ETICHETTA | LABEL | ETIQUETTE | ETIKETTE | (HONDA - GGP ENGINE) |
| 62 | 22943006/0 | 1 | VITE | SCREW | VIS | SCHRAUBE | |
| 63 | 12728460/0 | 1 | VITE | SCREW | VIS | SCHRAUBE | |
| 65 | 81008609/0 | 1 | DOTAZIONE VITERIA CRUSCOTTO | OUTFIT, DASH-BOARD SCREWS | DOTATION VISSERIE CONSOLLE | SATZ, KONSOLE SCHRAUBEN | |

| CA | | CAL | | | |
|-----|------|-------|---------|------|--------|
| 434 | | 484 | | 534 | |
| TR | TR/E | TR 4S | TR/E 4S | W TR | W TR/E |



| |
|--------|
| 2007 |
| 622a.0 |
| 1 / 1 |



| POS. | CODE | Q.TY | DESCRIZIONE | DESCRIPTION | DESCRIPTION | BESCHREIBUNG | REMARKS |
|------|------------|------|-------------------|------------------|----------------------|------------------|----------------------|
| 101 | 22785123/0 | 1 | SUPPORTO BATTERIA | SUPPORT, BATTERY | SUPPORT BATTERIE | HALTER, BATTERIE | |
| 102 | 22109530/0 | 1 | COPERCHIO | COVER | COUVERCLE | DECKEL | |
| 103 | 12521310/0 | 2 | ROSETTA | WASHER | RONDELLE | SCHEIBE | |
| 104 | 12731590/0 | 2 | VITE | SCREW | VIS | SCHRAUBE | |
| 105 | 18120052/0 | 1 | BATTERIA | BATTERY | BATTERIE | BATTERIE | |
| 106 | 18204120/0 | 1 | CARICA BATTERIA | BATTERY CHARGER | CHARGEUR DE BATTERIE | LADGERÄT | |
| - | 18204121/0 | 1 | CARICA BATTERIA | BATTERY CHARGER | CHARGEUR DE BATTERIE | LADGERÄT | ((UK)) |
| 107 | 18450050/0 | 1 | INTERRUTTORE | SWITCH | INTERRUPTEUR | SCHALTER | |
| 108 | 18204192/2 | 1 | CAVO AVVIAMENTO | CABLE, START | CABLE DÉMARRAGE | KABEL, START | ((B&S - GGP ENGINE)) |
| - | 18204198/0 | 1 | CAVO AVVIAMENTO | CABLE, START | CABLE DÉMARRAGE | KABEL, START | ((HONDA)) |

CA

CAL

434

484

534

TR

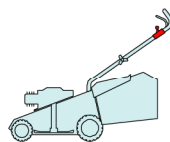
TR/E

TR 4S

TR/E 4S

W TR

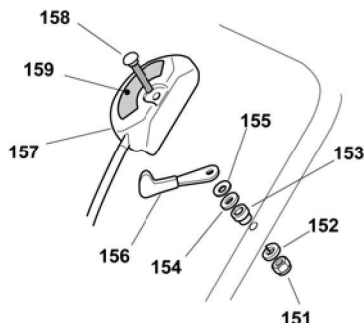
W TR/E



2007

622b.0

1 / 1



| POS. | CODE | Q.TY | DESCRIZIONE | DESCRIPTION | DESCRIPTION | BESCHREIBUNG | REMARKS |
|------|------------|------|--------------------|-----------------|----------------------|---------------------|--|
| 151 | 12291000/0 | 1 | DADO | NUT | ECROU | MUTTER | |
| 152 | 12581500/0 | 1 | GROWER | GROWER | GROWER | FEDERRING | |
| 153 | 22171005/0 | 1 | DISTANZIALE | SPACER | ENTRETOISE | DISTANZRING | |
| 154 | 12521360/0 | 1 | ROSETTA | WASHER | RONDELLE | SCHEIBE | |
| 155 | 12508100/0 | 1 | ROSETTA ELASTICA | SPRING WASHER | RONDELLE ELASTIQUE | ELASTISCHE SCHEIBE | |
| 156 | 81007220/0 | 1 | LEVA, ACCELERATORE | LEVER, THROTTLE | LEVIER, ACCELERATEUR | HEBEL, BESHLEUNIGER | (B&S CLASSIC/SPRINT/LS/LC - GGP ENGINE M150/SV150) |
| - | 81007279/1 | 1 | LEVA, ACCELERATORE | LEVER, THROTTLE | LEVIER, ACCELERATEUR | HEBEL, BESHLEUNIGER | (B&S QUANTUM - HONDA - GGP ENGINE SV200) |
| 157 | 81007080/0 | 1 | CAVO ACCELERATORE | CABLE, TROTTLE | CABLE, ACCELERATEUR | KABLE, BESHLEUNIGER | |
| 158 | 12815000/0 | 1 | VITE | SCREW | VIS | SCHRAUBE | |
| 159 | 14356703/0 | 1 | ETICHETTA | LABEL | ETIQUETTE | ETIKETTE | (B&S) |
| - | 14356702/0 | 1 | ETICHETTA | LABEL | ETIQUETTE | ETIKETTE | (GGP ENGINE - HONDA) |

CA

CAL

434

484

534

TR

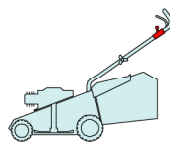
TR/E

TR 4S

TR/E 4S

W TR

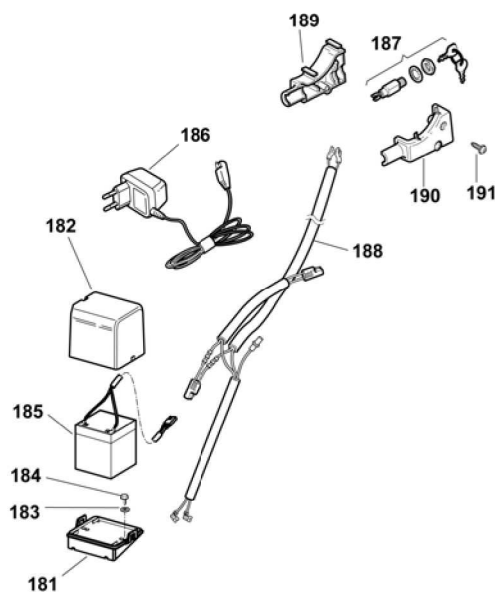
W TR/E



2007

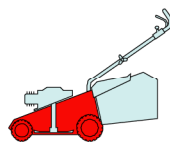
622c.0

1 / 1

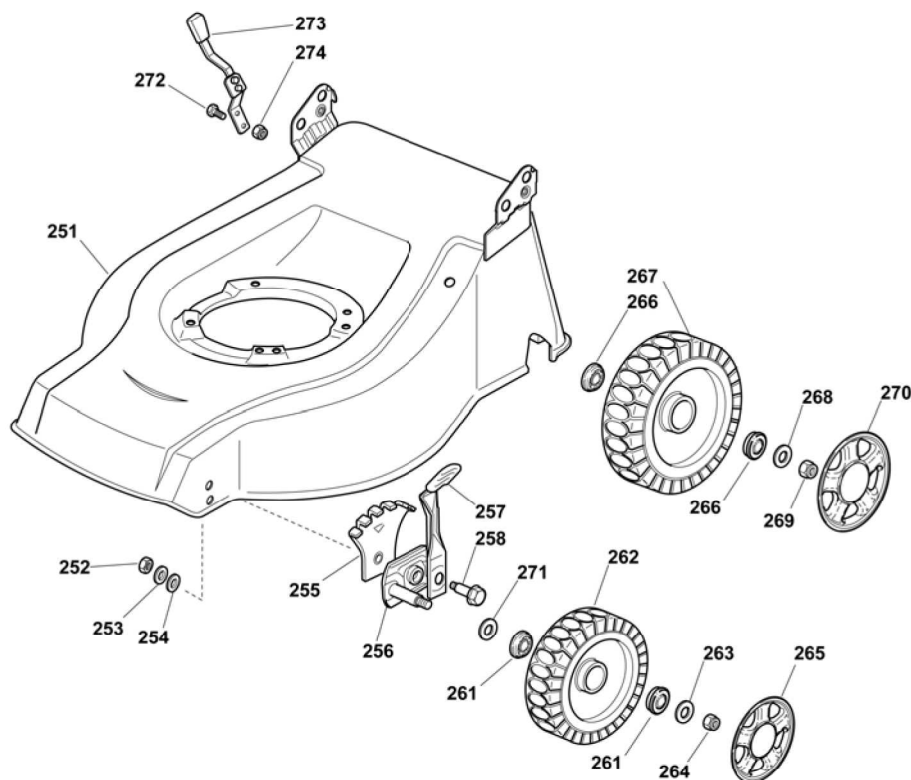


| POS. | CODE | Q.TY | DESCRIZIONE | DESCRIPTION | DESCRIPTION | BESCHREIBUNG | REMARKS |
|------|------------|------|-------------------|------------------|----------------------|------------------|--------------------|
| 181 | 22785123/0 | 1 | SUPPORTO BATTERIA | SUPPORT, BATTERY | SUPPORT BATTERIE | HALTER, BATTERIE | |
| 182 | 22109530/0 | 1 | COPERCHIO | COVER | COUVERCLE | DECKEL | |
| 183 | 12521310/0 | 2 | ROSETTA | WASHER | RONDELLE | SCHEIBE | |
| 184 | 12731590/0 | 2 | VITE | SCREW | VIS | SCHRAUBE | |
| 185 | 18120052/0 | 1 | BATTERIA | BATTERY | BATTERIE | BATTERIE | |
| 186 | 18204120/0 | 1 | CARICA BATTERIA | BATTERY CHARGER | CHARGEUR DE BATTERIE | LADGERÄT | |
| - | 18204121/0 | 1 | CARICA BATTERIA | BATTERY CHARGER | CHARGEUR DE BATTERIE | LADGERÄT | (UK) |
| 187 | 18450050/0 | 1 | INTERRUTTORE | SWITCH | INTERRUPTEUR | SCHALTER | |
| 188 | 18204192/2 | 1 | CAVO AVVIAMENTO | CABLE, START | CABLE DÉMARRAGE | KABEL, START | (B&S - GGP ENGINE) |
| - | 18204198/0 | 1 | CAVO AVVIAMENTO | CABLE, START | CABLE DÉMARRAGE | KABEL, START | (HONDA) |
| 189 | 22722804/0 | 1 | PROTEZIONE DX | R PROTECTION | PROTECTION D | RECHTE SCHUTZ | |
| 190 | 22722805/0 | 1 | PROTEZIONE SX | L PROTECTION | PROTECTION G | LINKE SCHUTZ | |
| 191 | 12728300/0 | 1 | VITE | SCREW | VIS | SCHRAUBE | |

| CA | | CAL | | | |
|-----|------|-------|---------|------|--------|
| 434 | | 484 | | 534 | |
| TR | TR/E | TR 4S | TR/E 4S | W TR | W TR/E |



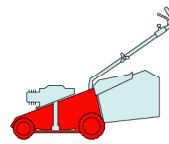
| |
|-------|
| 2007 |
| 623.0 |
| 1 / 1 |



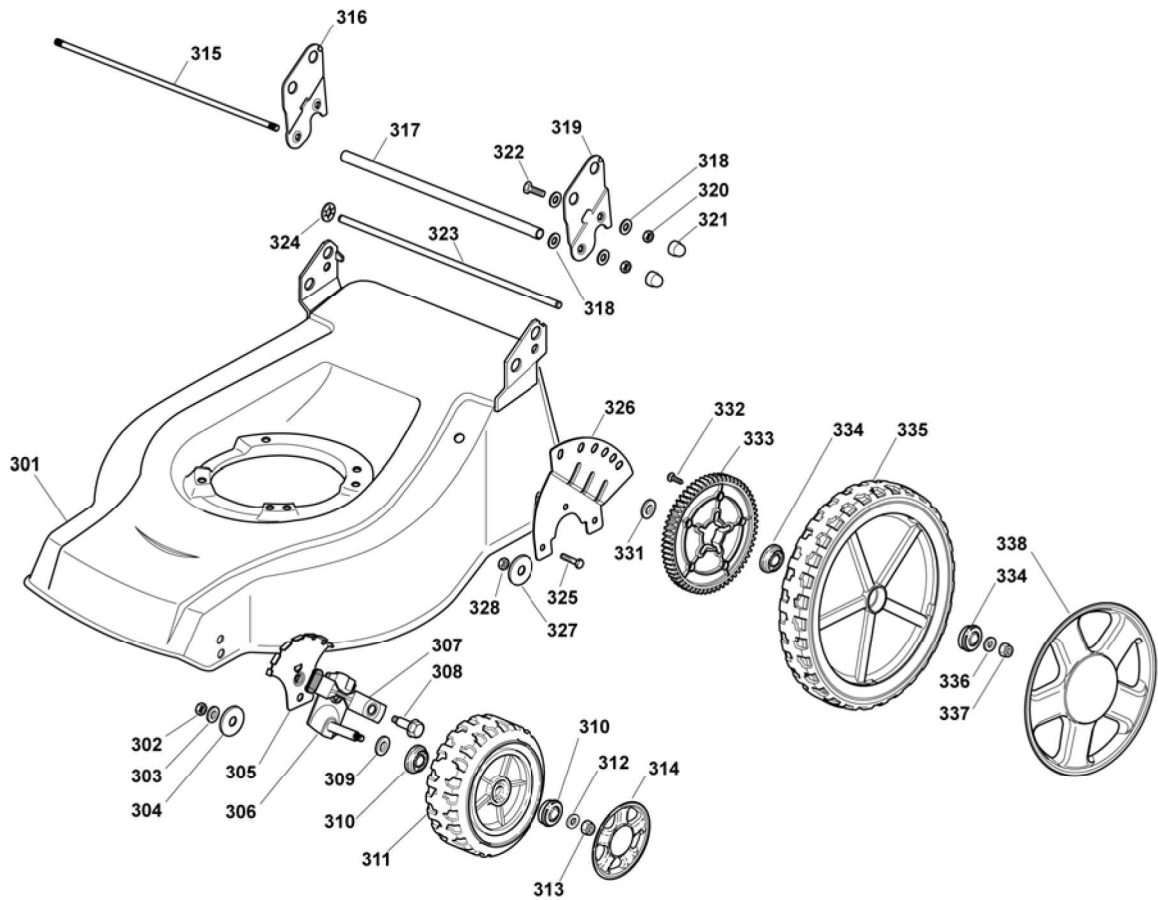
| POS. | CODE | Q.TY | DESCRIZIONE | DESCRIPTION | DESCRIPTION | BESCHREIBUNG | REMARKS |
|------|------------|------|-----------------------------|---------------------------|-------------------------|-------------------------|-------------------|
| 251 | 81001895/0 | 1 | CHASSIS ROSSO | DECK RED | CHÂSSIS ROUGE | GEHÄUSE ROT | (434) |
| - | 81002401/0 | 1 | CHASSIS ROSSO | DECK RED | CHÂSSIS ROUGE | GEHÄUSE ROT | (484) |
| - | 81002350/0 | 1 | CHASSIS ROSSO | DECK RED | CHÂSSIS ROUGE | GEHÄUSE ROT | (534) |
| 252 | 12293200/0 | 2 | DADO | NUT | ECROU | MUTTER | |
| 253 | 12583500/0 | 2 | GROWER | GROWER | GROWER | FEDERRING | |
| 254 | 12523070/0 | 2 | ROSETTA | WASHER | RONDELLE | SCHEIBE | |
| 255 | 22735547/0 | 2 | SETTORE REGOLAZIONE ALTEZZA | SECTOR, HEIGHT ADJUSTMENT | SECTEUR REGLAGE HAUTEUR | SEKTOR, HÖHEVERSTELLUNG | |
| 256 | 81005082/0 | 2 | SUPPORTO RUOTA | SUPPORT, WHEEL | SUPPORT ROUE | HALTER, RAD | |
| 257 | 81003285/1 | 2 | LEVA REGOLAZIONE ALTEZZA | LEVER, HEIGHT ADJUSTMENT | LEVIER REGLAGE HAUTEUR | HEBEL, HÖNEVERSTELLUNG | |
| 258 | 22519811/0 | 2 | PERNO | PIN | PIVOT | BOLZEN | |
| 261 | 22122200/0 | 4 | CUSCINETTO | BEARING | COUSSINET | LAGER | |
| 262 | 81007336/0 | 2 | RUOTA SCOLPITA Ø 170 | WHEEL, KNOBBLY Ø 170 | ROUE SCULPTEE Ø 170 | RAD M. STOLLENPR. Ø 170 | |
| 263 | 12521350/0 | 2 | ROSETTA | WASHER | RONDELLE | SCHEIBE | |
| 264 | 12155000/0 | 2 | DADO | NUT | ECROU | MUTTER | |
| 265 | --- | 2 | COPRIMOZZO | HUB CAP | COUVRE-MOYEU | RADKAPPE | (SEE ENCLOSURE 1) |
| 266 | 22122200/0 | 4 | CUSCINETTO | BEARING | COUSSINET | LAGER | |
| 267 | 81007337/0 | 2 | RUOTA SCOLPITA Ø 210 | WHEEL, KNOBBLY Ø 210 | ROUE SCULPTEE Ø 210 | RAD M. STOLLENPR. Ø 210 | |
| 268 | 12369500/0 | 2 | DISCO ELASTICO | ELASTIC WASHER | DISQUE ELASTIQUE | FEDERSCHEIBE | |
| 269 | 12155000/0 | 2 | DADO | NUT | ECROU | MUTTER | |
| 270 | --- | 2 | COPRIMOZZO | HUB CAP | COUVRE-MOYEU | RADKAPPE | (SEE ENCLOSURE 2) |
| 271 | 12530150/0 | 2 | ROSETTA ELASTICA | SPRING WASHER | RONDELLE ELASTIQUE | ELASTISCHE SCHEIBE | |
| 272 | 12789000/0 | 2 | VITE | SCREW | VIS | SCHRAUBE | |
| 273 | 81003279/2 | 1 | LEVA REGOLAZIONE ALTEZZA | LEVER, HEIGHT ADJUSTMENT | LEVIER REGLAGE HAUTEUR | HEBEL, HÖNEVERSTELLUNG | |
| 274 | 12154330/0 | 2 | DADO | NUT | ECROU | MUTTER | |



| CA | | CAL | | | |
|-----|------|-------|---------|------|--------|
| 434 | | 484 | | 534 | |
| TR | TR/E | TR 4S | TR/E 4S | W TR | W TR/E |



| |
|--------|
| 2007 |
| 623a.0 |
| 1 / 2 |



| POS. | CODE | Q.TY | DESCRIZIONE | DESCRIPTION | DESCRIPTION | BESCHREIBUNG | REMARKS |
|------|------------|------|-----------------------------|---------------------------|----------------------------|-------------------------|-------------------|
| 301 | 81002350/0 | 1 | CHASSIS ROSSO | DECK RED | CHÂSSIS ROUGE | GEHÄUSE ROT | (534) |
| 302 | 12293200/0 | 2 | DADO | NUT | ECROU | MUTTER | |
| 303 | 12583500/0 | 2 | GROWER | GROWER | GROWER | FEDERRING | |
| 304 | 12523070/0 | 2 | ROSETTA | WASHER | RONDELLE | SCHEIBE | |
| 305 | 22735577/0 | 2 | SETTORE REGOLAZIONE ALTEZZA | SECTOR, HEIGHT ADJUSTMENT | SECTEUR REGLAGE HAUTEUR | SEKTOR, HÖHEVERSTELLUNG | |
| 306 | 81005084/0 | 2 | SUPPORTO RUOTA | SUPPORT, WHEEL | SUPPORT ROUE | HALTER, RAD | |
| 307 | 81003286/0 | 2 | LEVA REGOLAZIONE ALTEZZA | LEVER, HEIGHT ADJUSTMENT | LEVIER REGLAGE HAUTEUR | HEBEL, HÖNEVERSTELLUNG | |
| 308 | 22519811/0 | 2 | PERNO | PIN | PIVOT | BOLZEN | |
| 310 | 22122200/0 | 4 | CUSCINETTO | BEARING | COUSSINET | LAGER | |
| 311 | 81007343/0 | 2 | RUOTA SCOLPITA Ø 210 | WHEEL, KNOBBLY Ø 210 | ROUE SCULPTEE Ø 210 | RAD M. STOLLENPR. Ø 210 | |
| 312 | 12521350/0 | 2 | ROSETTA | WASHER | RONDELLE | SCHEIBE | |
| 313 | 12155000/0 | 2 | DADO | NUT | ECROU | MUTTER | |
| 314 | --- | 2 | COPRIMOZZO | HUB CAP | COUVRE-MOYEU | RADKAPPE | (SEE ENCLOSURE 2) |
| 315 | 22517702/1 | 1 | FULCRO PARASASSI | STONE GUARD FULCRUM | POINT D'APPUI PARE-PIERRES | DREHPUNKT PRALLBLECH | |
| 316 | 22778427/0 | 1 | STAFFA DX | BRACKET, R | BRIDE D | PRATZE, RECHTE | |
| 317 | 22869717/0 | 1 | DISTANZIALE | SPACER | ENTRETOISE | DISTANZRING | |
| 318 | 22671653/0 | 8 | ROSETTA | WASHER | RONDELLE | SCHEIBE | |
| 319 | 22778429/0 | 1 | STAFFA SX | BRACKET, L | BRIDE G | PRATZE, LINKE | |
| 320 | 12293200/0 | 5 | DADO | NUT | ECROU | MUTTER | |
| 321 | 18203854/0 | 4 | CAPPUCCIO | ??? | ??? | ??? | |
| 322 | 12793102/0 | 2 | VITE | SCREW | VIS | SCHRAUBE | |

| POS. | CODE | Q.TY | DESCRIZIONE | DESCRIPTION | DESCRIPTION | BESCHREIBUNG | REMARKS |
|------|------------|------|--------------------------------|------------------------------|----------------------------|----------------------------|---------|
| 323 | 22517860/0 | 1 | PERNO | PIN | PIVOT | BOLZEN | |
| 324 | 12604899/0 | 2 | FISSATORE A CORONA | CROWN FASTENER | FIXATEUR A COURONNE | KRONESCHEIBE | |
| 325 | 12792611/0 | 3 | VITE | SCREW | VIS | SCHRAUBE | |
| 326 | 22735579/0 | 1 | SETTORE REGOLAZIONE ALTEZZA | SECTOR, HEIGHT ADJUSTMENT | SECTEUR REGLAGE HAUTEUR | SEKTOR, HÖHEVERSTELLUNG | |
| 327 | 12523060/0 | 3 | ROSETTA | WASHER | RONDELLE | SCHEIBE | |
| 328 | 12155000/0 | 3 | DADO | NUT | ECROU | MUTTER | |
| 332 | 12728691/0 | 6 | VITE | SCREW | VIS | SCHRAUBE | |
| 333 | 22120110/0 | 2 | RUOTA DENTATA | SPROCKET | COURONNE | ZAHNKETTENRA | |
| 334 | 22122200/0 | 4 | CUSCINETTO | BEARING | COUSSINET | LAGER | |
| 335 | 81007380/0 | 2 | RUOTA Ø 300 | WHEEL Ø 300 | ROUE Ø 300 | RAD Ø 300 | |
| 336 | 12521350/0 | 4 | ROSETTA | WASHER | RONDELLE | SCHEIBE | |
| 337 | 12155000/0 | 2 | DADO | NUT | ECROU | MUTTER | |
| 338 | 22110511/0 | 2 | COPRIMOZZO GRIGIO Ø 300 | HUB CAP GREY Ø 300 | COUVRE-MOYEU GRIS Ø 300 | RADKAPPE GRAU Ø 300 | |

CA

CAL

434

484

534

TR

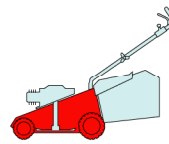
TR/E

TR 4S

TR/E 4S

W TR

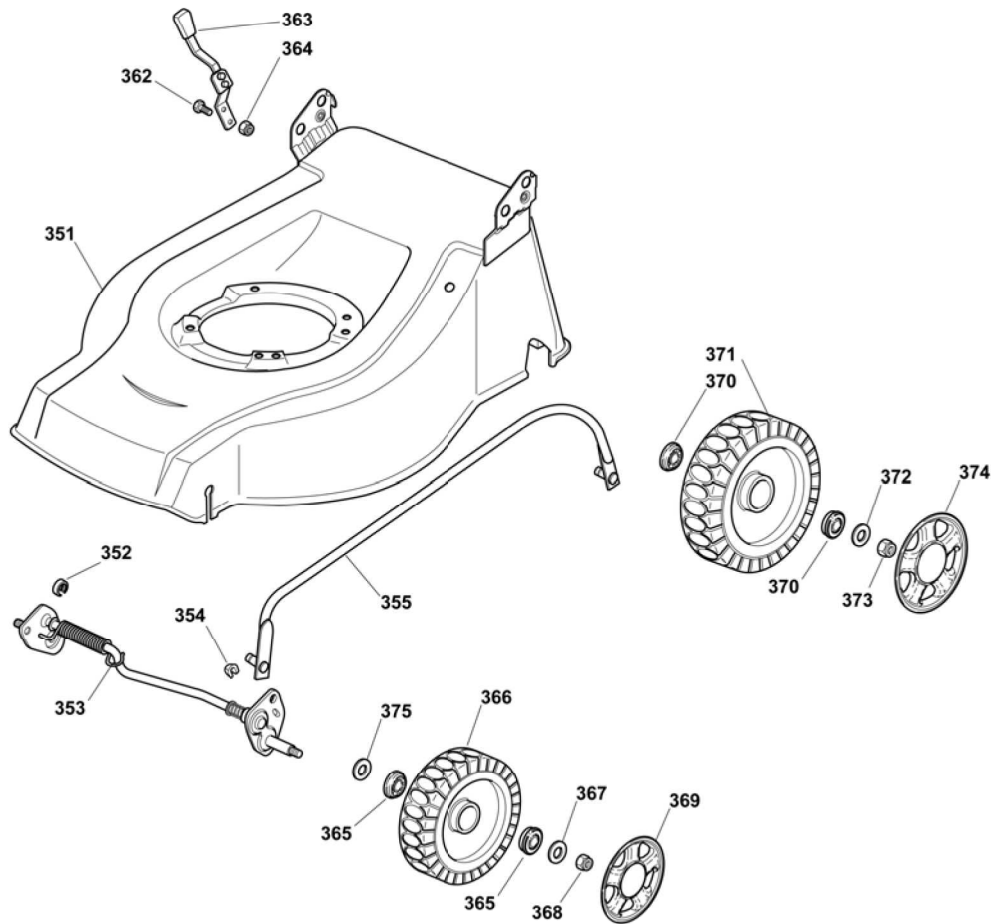
W TR/E



2007

623b.0

1 / 2



| POS. | CODE | Q.TY | DESCRIZIONE | DESCRIPTION | DESCRIPTION | BESCHREIBUNG | REMARKS |
|------|------------|------|-----------------------------|--------------------------------|-------------------------------|-------------------------|-------------------|
| 351 | 81001901/0 | 1 | CHASSIS ROSSO | DECK RED | CHÂSSIS ROUGE | GEHÄUSE ROT | (434) |
| - | 81002424/1 | 1 | CHASSIS ROSSO | DECK RED | CHÂSSIS ROUGE | GEHÄUSE ROT | (484) |
| - | 81002356/1 | 1 | CHASSIS ROSSO | DECK RED | CHÂSSIS ROUGE | GEHÄUSE ROT | (534) |
| 352 | 22171002/0 | 1 | DISTANZIALE | SPACER | ENTRETOISE | DISTANZRING | |
| - | 12436050/0 | 2 | PIASTRINA | PLATE | PLAQUETTE | PLÄTTCHEN | |
| 353 | 81000145/1 | 1 | ASSE RUOTE ANTERIORI | AXLE, FRONT WHEELS | AXE ROUES AVANT | ACHSE, VORDERRAD | (434) |
| - | 81000141/1 | 1 | ASSE RUOTE ANTERIORI | AXLE, FRONT WHEELS | AXE ROUES AVANT | ACHSE, VORDERRAD | (484) |
| - | 81000143/1 | 1 | ASSE RUOTE ANTERIORI | AXLE, FRONT WHEELS | AXE ROUES AVANT | ACHSE, VORDERRAD | (534) |
| 355 | 81006485/0 | 1 | ASTA COMANDO REGOL. ALTEZZA | ROD, HEIGHT ADJUSTMENT CONTROL | TIGE COMMANDE REGLAGE HAUTEUR | STANGE, HÖHEVERSTELLUNG | (434) |
| - | 81006481/1 | 1 | ASTA COMANDO REGOL. ALTEZZA | ROD, HEIGHT ADJUSTMENT CONTROL | TIGE COMMANDE REGLAGE HAUTEUR | STANGE, HÖHEVERSTELLUNG | (484) |
| - | 81006483/1 | 1 | ASTA COMANDO REGOL. ALTEZZA | ROD, HEIGHT ADJUSTMENT CONTROL | TIGE COMMANDE REGLAGE HAUTEUR | STANGE, HÖHEVERSTELLUNG | (534) |
| 362 | 12789000/0 | 2 | VITE | SCREW | VIS | SCHRAUBE | |
| 363 | 81003283/1 | 1 | LEVA REGOLAZIONE ALTEZZA | LEVER, HEIGHT ADJUSTMENT | LEVIER REGLAGE HAUTEUR | HEBEL, HÖNEVERSTELLUNG | |
| 364 | 12154320/0 | 2 | DADO | NUT | ECROU | MUTTER | |
| 365 | 22122200/0 | 4 | CUSCINE LIO | BEARING | COUSSINE L | LAGER | |
| 366 | 81007336/0 | 2 | RUOTA SCOLPITA Ø 170 | WHEEL, KNOBBLY Ø 170 | ROUE SCULPTEE Ø 170 | RAD M. STOLLENPR. Ø 170 | |
| 367 | 12521350/0 | 2 | ROSETTA | WASHER | RONDELLE | SCHEIBE | |
| 368 | 12155000/0 | 2 | DADO | NUT | ECROU | MUTTER | |
| 369 | --- | 2 | COPRIMOZZO | HUB CAP | COUVRE-MOYEU | RADKAPPE | (SEE ENCLOSURE 1) |
| 370 | 22122200/0 | 4 | CUSCINETTO | BEARING | COUSSINET | LAGER | |

| POS. | CODE | Q.TY | DESCRIZIONE | DESCRIPTION | DESCRIPTION | BESCHREIBUNG | REMARKS |
|------|------------|------|----------------------|----------------------|---------------------|-------------------------|-------------------|
| 371 | 81007337/0 | 2 | RUOTA SCOLPITA Ø 210 | WHEEL, KNOBBLY Ø 210 | ROUE SCULPTEE Ø 210 | RAD M. STOLLENPR. Ø 210 | |
| 372 | 12521350/0 | 2 | ROSETTA | WASHER | RONDELLE | SCHEIBE | |
| 373 | 12155000/0 | 2 | DADO | NUT | ECROU | MUTTER | |
| 374 | --- | 2 | COPRIMOZZO | HUB CAP | COUVRE-MOYEU | RADKAPPE | (SEE ENCLOSURE 2) |
| 375 | 12530150/0 | 2 | ROSETTA ELASTICA | SPRING WASHER | RONDELLE ELASTIQUE | ELASTISCHE SCHEIBE | |

CA

CAL

434

484

534

TR

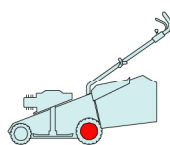
TR/E

TR 4S

TR/E 4S

W TR

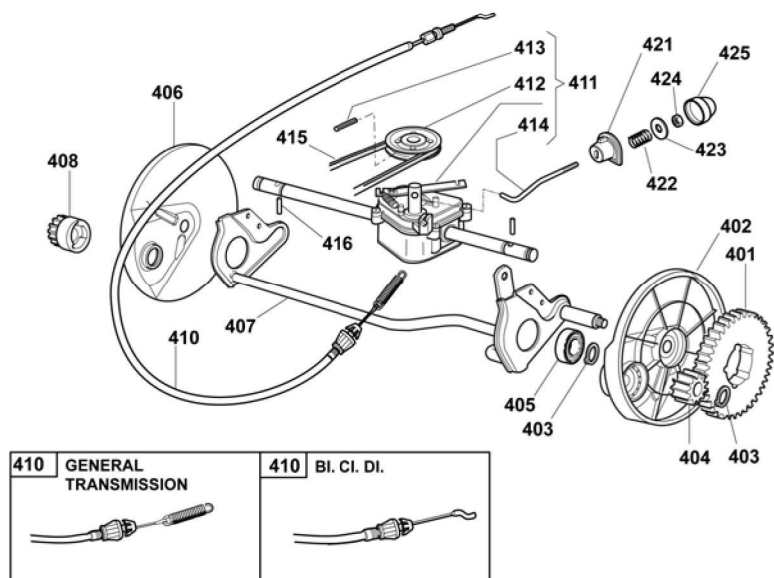
W TR/E



2007

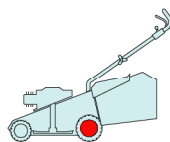
623.0

1 / 1

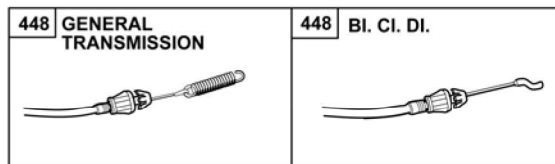
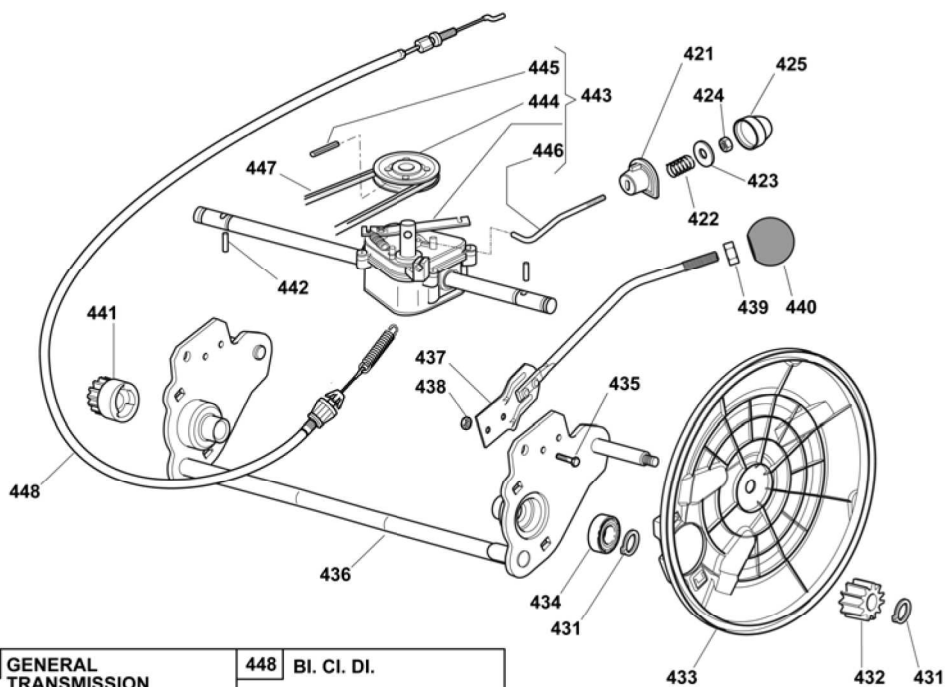


| POS. | CODE | Q.TY | DESCRIZIONE | DESCRIPTION | DESCRIPTION | BESCHREIBUNG | REMARKS |
|------|------------|------|---|--------------------------|--------------------------|-----------------------|------------------------|
| 401 | 22120105/1 | 2 | CORONA | RING GEAR | COURONNE | KRANZ | |
| 402 | 22600093/0 | 1 | PROT. RUOTE SX | PROTECTION, L WHEEL | PROTECTION ROUE G | SCHÜTZ, LINKES RÄDER | |
| 403 | 12608600/0 | 4 | SEECER | SEECER | SEECER | SEECER | |
| 404 | 22570120/1 | 1 | PIGNONE SX | PINION L | PIGNON G | RITZEL LINKES | |
| 405 | 19216035/0 | 2 | CUSCINETTO | BEARING | COUSSINET | LAGER | |
| 406 | 22600092/0 | 1 | PROT. RUOTE DX | PROTECTION, R WHEEL | PROTECTION ROUE D | SCHÜTZ, RECHTES RÄDER | |
| 407 | 81000147/0 | 1 | ASSE RUOTE POSTERIORI | AXLE, REAR WHEELS | AXE ROUES ARRIERE | ACHSE, HINTERRAD | |
| 408 | 22570110/1 | 1 | PIGNONE DX | PINION R | PIGNON D | RITZEL RECHTES | |
| 410 | 81000672/0 | 1 | CAVO COMANDO TRAZIONE CABLE, REAR DRIVE | CÂBLE, COMMANDE TRACTION | CÂBLE, COMMANDE TRACTION | KABEL, ANTRIEB | (BI. CI. DI.) |
| - | 81000668/1 | 1 | CAVO COMANDO TRAZIONE CABLE, REAR DRIVE | CÂBLE, COMMANDE TRACTION | CÂBLE, COMMANDE TRACTION | KABEL, ANTRIEB | (GENERAL TRANSMISSION) |
| 411 | 81003081/1 | 1 | GRUPPO TRAZIONE (GRIGIO) | GEAR BOX (GREY) | GROUPE TRACTION (GRIS) | ANTRIEB (GRAU) | (BI. CI. DI.) |
| - | 81003076/0 | 1 | GRUPPO TRAZIONE | GEAR BOX | GROUPE TRACTION | ANTRIEB | (GENERAL TRANSMISSION) |
| 412 | 22601904/0 | 1 | PULEGGIA | PULLEY | POULIE | RIEMENSCHIEBE | |
| 413 | 12645705/0 | 1 | SPINA | PIN | GOUPILLE | STIFT | |
| 414 | 22033280/0 | 1 | ASTA REGOLAZIONE | ADJUSTMENT ROD | TIGE REGLAGE | VERSTELLUNGSTANGE | (BI. CI. DI.) |
| - | 22033283/0 | 1 | ASTA REGOLAZIONE | ADJUSTMENT ROD | TIGE REGLAGE | VERSTELLUNGSTANGE | (GENERAL TRANSMISSION) |
| 415 | 35063710/0 | 1 | CINGHIA Z 25 | BELT Z 25 | COURROIE Z 25 | RIEMEN Z 25 | (434) |
| - | 35063800/0 | 1 | CINGHIA Z 27 | BELT Z 27 | COURROIE Z 27 | RIEMEN Z 27 | (484) |
| - | 35063902/0 | 1 | CINGHIA Z 29.5 | BELT Z 29.5 | COURROIE Z 29.5 | RIEMEN Z 29.5 | (534) |
| 416 | 22753000/0 | 2 | SPINA | PIN | GOUPILLE | STIFT | |
| 421 | 22041957/1 | 1 | BUSSOLA | BUSH | DOUILLE | BUCHSE | |
| 422 | 22450063/0 | 1 | MOLLA | SPRING | RESSORT | FEDER | |
| 423 | 22680009/0 | 1 | ROSETTA | WASHER | RONDELLE | SCHEIBE | |
| 424 | 12154510/0 | 1 | DADO | NUT | ECROU | MUTTER | |
| 425 | 22110230/0 | 1 | TAPPO | CAP | BOUCHON | GUMMISTOPFEN | |

| CA | | CAL | | | |
|-----|------|-------|---------|------|--------|
| 434 | | 484 | | 534 | |
| TR | TR/E | TR 4S | TR/E 4S | W TR | W TR/E |



| |
|--------|
| 2007 |
| 623a.0 |
| 1 / 2 |

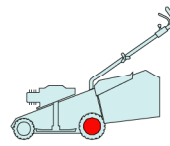


| POS. | CODE | Q.TY | DESCRIZIONE | DESCRIPTION | DESCRIPTION | BESCHREIBUNG | REMARKS |
|------|------------|------|--------------------------|--------------------------|------------------------|------------------------|------------------------|
| 421 | 22041957/1 | 1 | BUSSOLA | BUSH | DOUILLE | BUCHSE | |
| 422 | 22450063/0 | 1 | MOLLA | SPRING | RESSORT | FEDER | |
| 423 | 22680009/0 | 1 | ROSETTA | WASHER | RONDELLE | SCHEIBE | |
| 424 | 12154510/0 | 1 | DADO | NUT | ECROU | MUTTER | |
| 425 | 22110230/0 | 1 | TAPPO | CAP | BOUCHON | GUMMISTOPFEN | |
| 431 | 12608600/0 | 4 | SEEGER | SEEGER | SEEGER | SEEGER | |
| 432 | 22570110/1 | 1 | PIGNONE DX | PINION R | PIGNON D | RITZEL RECHTES | |
| 433 | 22600160/0 | 2 | PROT. RUOTE | PROTECTION, WHEEL | PROTECTION ROUE | SCHÜTZ, RÄDER | |
| 434 | 19216035/0 | 2 | CUSCINETTO | BEARING | COUSSINET | LAGER | |
| 435 | 12789000/0 | 2 | VITE | SCREW | VIS | SCHRAUBE | |
| 436 | 81000147/0 | 1 | ASSE RUOTE POSTERIORI | AXLE, REAR WHEELS | AXE ROUES ARRIERE | ACHSE, HINTERRAD | |
| 437 | 81003324/0 | 1 | LEVA REGOLAZIONE ALTEZZA | LEVER, HEIGHT ADJUSTMENT | LEVIER REGLAGE HAUTEUR | HEBEL, HÖNEVERSTELLUNG | |
| 438 | 12154330/0 | 2 | DADO | NUT | ECROU | MUTTER | |
| 439 | 12293200/0 | 1 | DADO | NUT | ECROU | MUTTER | |
| 440 | 22399812/0 | 1 | MANOPOLINA | KNOB | POIGNÉE | GRIFF | |
| 441 | 22570120/1 | 1 | PIGNONE SX | PINION L | PIGNON G | RITZEL LINKES | |
| 442 | 22753000/0 | 2 | SPINA | PIN | GOUPILLE | STIFT | |
| 443 | 81003081/1 | 1 | GRUPPO TRAZIONE (GRIGIO) | GEAR BOX (GREY) | GROUPE TRACTION (GRIS) | ANTRIEB (GRAU) | (BI. CI. DI.) |
| - | 81003076/0 | 1 | GRUPPO TRAZIONE | GEAR BOX | GROUPE TRACTION | ANTRIEB | (GENERAL TRANSMISSION) |
| 444 | 22601904/0 | 1 | PULEGGIA | PULLEY | POULIE | RIEMENSCHLEIBE | |
| 445 | 12645705/0 | 1 | SPINA | PIN | GOUPILLE | STIFT | |
| 446 | 22033280/0 | 1 | ASTA REGOLAZIONE | ADJUSTMENT ROD | TIGE REGLAGE | VERSTELLUNGSTANGE | (BI. CI. DI.) |
| - | 22033283/0 | 1 | ASTA REGOLAZIONE | ADJUSTMENT ROD | TIGE REGLAGE | VERSTELLUNGSTANGE | (GENERAL TRANSMISSION) |

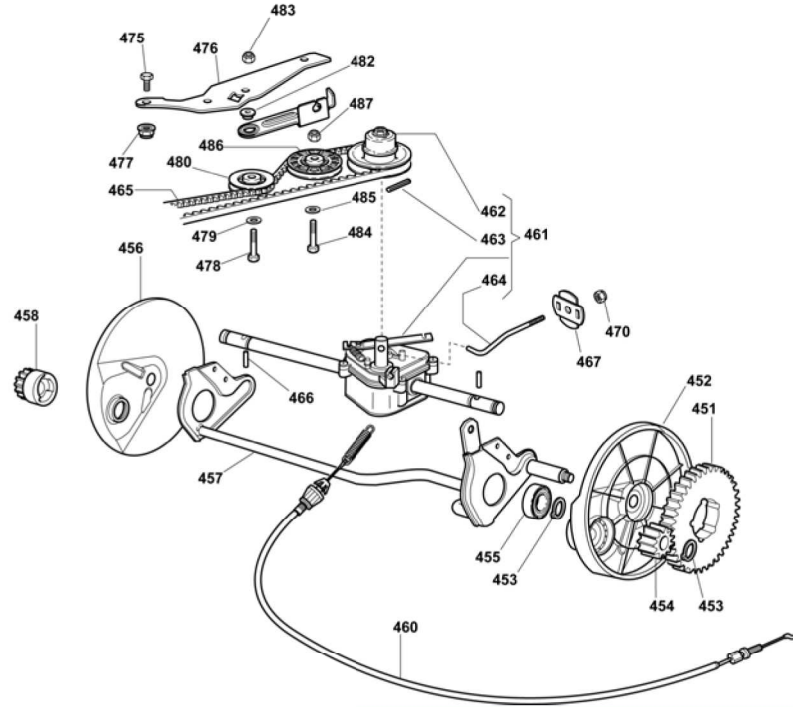


| POS. | CODE | Q.TY | DESCRIZIONE | DESCRIPTION | DESCRIPTION | BESCHREIBUNG | REMARKS |
|------|------------|------|---|-------------|--------------------------|----------------|------------------------|
| 447 | 35063902/0 | 1 | CINGHIA Z 29.5 | BELT Z 29.5 | COURROIE Z 29.5 | RIEMEN Z 29.5 | (534) |
| 448 | 81000672/0 | 1 | CAVO COMANDO TRAZIONE CABLE, REAR DRIVE | | CÂBLE, COMMANDE TRACTION | KABEL, ANTRIEB | (BI. CI. DI.) |
| - | 81000668/1 | 1 | CAVO COMANDO TRAZIONE CABLE, REAR DRIVE | | CÂBLE, COMMANDE TRACTION | KABEL, ANTRIEB | (GENERAL TRANSMISSION) |

| CA | | CAL | | | |
|-----|------|-------|---------|------|--------|
| 434 | | 484 | | 534 | |
| TR | TR/E | TR 4S | TR/E 4S | W TR | W TR/E |



| |
|--------|
| 2007 |
| 623b.0 |
| 1 / 2 |



| POS. | CODE | Q.TY | DESCRIZIONE | DESCRIPTION | DESCRIPTION | BESCHREIBUNG | REMARKS |
|------|------------|------|-----------------------|---------------------|--------------------------|-----------------------|------------------------|
| 451 | 22120105/1 | 2 | CORONA | RING GEAR | COURONNE | KRANZ | |
| 452 | 22600093/0 | 1 | PROT. RUOTE SX | PROTECTION, L WHEEL | PROTECTION ROUE G | SCHÜTZ, LINKES RÄDER | |
| 453 | 12608600/0 | 4 | SEEGER | SEEGER | SEEGER | SEEGER | |
| 454 | 22570120/1 | 1 | PIGNONE SX | PINION L | PIGNON G | RITZEL LINKES | |
| 455 | 19216035/0 | 2 | CUSCINETTO | BEARING | COUSSINET | LAGER | |
| 456 | 22600092/0 | 1 | PROT. RUOTE DX | PROTECTION, R WHEEL | PROTECTION ROUE D | SCHÜTZ, RECHTES RÄDER | |
| 457 | 81000147/0 | 1 | ASSE RUOTE POSTERIORI | AXLE, REAR WHEELS | AXE ROUES ARRIERE | ACHSE, HINTERRAD | |
| 458 | 22570110/1 | 1 | PIGNONE DX | PINION R | PIGNON D | RITZEL RECHTES | |
| 460 | 81000668/1 | 1 | CAVO COMANDO TRAZIONE | CABLE, REAR DRIVE | CÂBLE, COMMANDE TRACTION | KABEL, ANTRIEB | (GENERAL TRANSMISSION) |
| 461 | 81003096/1 | 1 | GRUPPO TRAZIONE | GEAR BOX | GROUPE TRACTION | ANTRIEB | (GENERAL TRANSMISSION) |
| 462 | 22601916/0 | 1 | PULEGGIA | PULLEY | POULIE | RIEMENSCHIEBE | |
| 463 | 12645700/0 | 1 | SPINA ELASTICA | PIN | GOUPILLE | STIFT | |
| 464 | 22033285/0 | 1 | ASTA REGOLAZIONE | ADJUSTMENT ROD | TIGE REGLAGE | VERSTELLUNGSTANGE | (GENERAL TRANSMISSION) |
| 465 | 35064005/0 | 1 | CINGHIA SPZX 750 | BELT SPZX 750 | COURROIRE SPZX 750 | RIEMEN SPZX 750 | (484) |
| - | 35064010/0 | 1 | CINGHIA SPZX 812 | BELT SPZX 812 | COURROIRE SPZX 812 | RIEMEN SPZX 812 | (534) |
| 466 | 22753000/0 | 2 | SPINA | PIN | GOUPILLE | STIFT | |
| 467 | 22675113/0 | 2 | ROSETTA | WASHER | RONDELLE | SCHEIBE | |
| 470 | 12154510/0 | 1 | DADO | NUT | ECROU | MUTTER | |
| 475 | 12791011/0 | 1 | VITE | SCREW | VIS | SCHRAUBE | |
| 476 | 22806625/0 | 1 | SUPPORTO | SUPPORT | SUPPORT | HALTER | |
| 477 | 12292102/0 | 1 | DADO | NUT | ECROU | MUTTER | |
| 478 | 12689500/0 | 1 | VITE | SCREW | VIS | SCHRAUBE | |
| 479 | 12523050/0 | 1 | ROSETTA | WASHER | RONDELLE | SCHEIBE | |
| 480 | 22601915/0 | 1 | PULEGGIA | PULLEY | POULIE | RIEMENSCHIEBE | |
| 481 | 22806623/0 | 1 | SUPPORTO | SUPPORT | SUPPORT | HALTER | |
| 482 | 22671656/0 | 1 | RONDELLA | WASHER | RONDELLE | SCHEIBE | |
| 483 | 12154510/0 | 1 | DADO | NUT | ECROU | MUTTER | |
| 484 | 12674700/0 | 1 | VITE | SCREW | VIS | SCHRAUBE | |



| POS. | CODE | Q.TY | DESCRIZIONE | DESCRIPTION | DESCRIPTION | BESCHREIBUNG | REMARKS |
|------|------------|------|-------------|-------------|-------------|---------------|---------|
| 485 | 12523050/0 | 1 | ROSETTA | WASHER | RONDELLE | SCHEIBE | |
| 486 | 22601914/0 | 1 | PULEGGIA | PULLEY | POULIE | RIEMENSCHIEBE | |
| 487 | 12154510/0 | 1 | DADO | NUT | ECROU | MUTTER | |

CA

CAL

434

484

534

TR

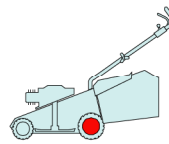
TR/E

TR 4S

TR/E 4S

W TR

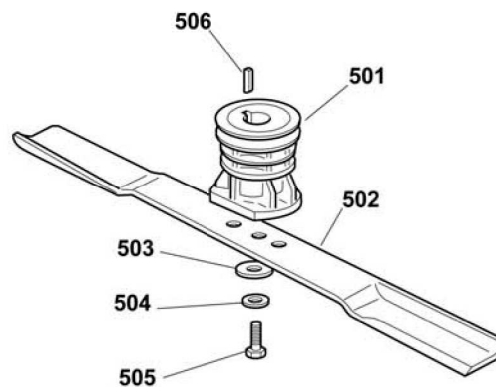
W TR/E



2007

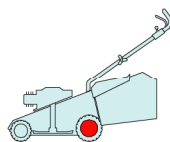
624.0

1 / 1



| POS. | CODE | Q.TY | DESCRIZIONE | DESCRIPTION | DESCRIPTION | BESCHREIBUNG | REMARKS |
|------|------------|------|-------------------|----------------|------------------|-----------------|---------|
| 501 | 22465607/2 | 1 | MOZZO | HUB | MOYEU | HALTER | |
| 502 | 81004396/0 | 1 | COLTELLO ALETTATO | BLADE WINGED | LAME AILETTÉE | MESSER FLÜGEL | (434) |
| - | 81004341/3 | 1 | COLTELLO STANDARD | BLADE STANDARD | LAME STANDARD | MESSER STANDARD | (434) |
| - | 81004397/0 | 1 | COLTELLO ALETTATO | BLADE WINGED | LAME AILETTÉE | MESSER FLÜGEL | (484) |
| - | 81004346/3 | 1 | COLTELLO STANDARD | BLADE STANDARD | LAME STANDARD | MESSER STANDARD | (484) |
| - | 81004398/0 | 1 | COLTELLO ALETTATO | BLADE WINGED | LAME AILETTÉE | MESSER FLÜGEL | (534) |
| - | 81004381/1 | 1 | COLTELLO STANDARD | BLADE STANDARD | LAME STANDARD | MESSER STANDARD | (534) |
| 503 | 22160400/0 | 1 | DISCO ELASTICO | ELASTIC WASHER | DISQUE ELASTIQUE | FEDERSCHEIBE | |
| 504 | 12523080/0 | 1 | ROSETTA | WASHER | RONDELLE | SCHEIBE | |
| 505 | 12735698/0 | 1 | VITE | SCREW | VIS | SCHRAUBE | |
| 506 | 12139100/0 | 1 | LINGUETTA | FEATHER | CLAVETTE | KEIL | |

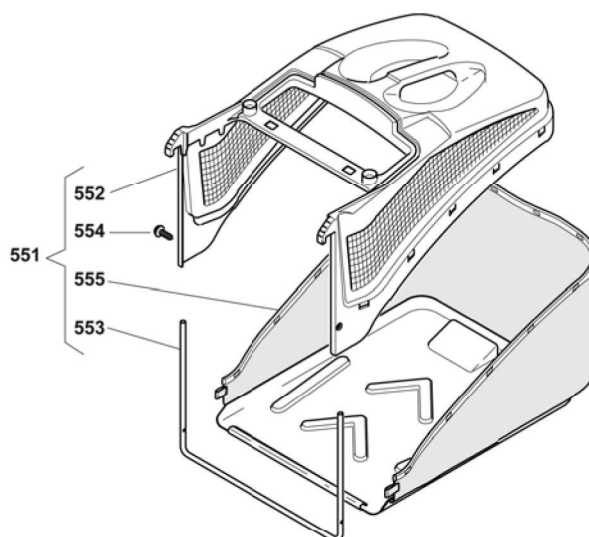
| CA | | CAL | | | |
|-----|------|-------|---------|------|--------|
| 434 | | 484 | | 534 | |
| TR | TR/E | TR 4S | TR/E 4S | W TR | W TR/E |



2007

625.0

1 / 1



| POS. | CODE | Q.TY | DESCRIZIONE | DESCRIPTION | DESCRIPTION | BESCHREIBUNG | REMARKS |
|------|------------|------|------------------|------------------------|------------------------|--------------------|---------|
| 551 | 91000010/1 | 1 | SACCO, COMPLETO | GRASSCATCHER, COMPLETE | SAC, COMPLETE | SACK, KOMPLLETTE | |
| 552 | 22486093/0 | 1 | SACCO, PARTE SUP | GRASS-BOX, UPPER PART | SAC, PARTIE SUPERIEURE | KORB, OBERTEIL | |
| 553 | 22608523/0 | 1 | RINFORZO INF | STIFFENING LOWER | RÉNFORCEMENT INF | VERSTÄRKUNG UNTERE | |
| 554 | 12728445/0 | 2 | VITE | SCREW | VIS | SCHRAUBE | |
| 555 | 81002195/0 | 1 | SACCO, TELA | BOX, FABRIC | SAC, TOILE | SACK, TUCK | |