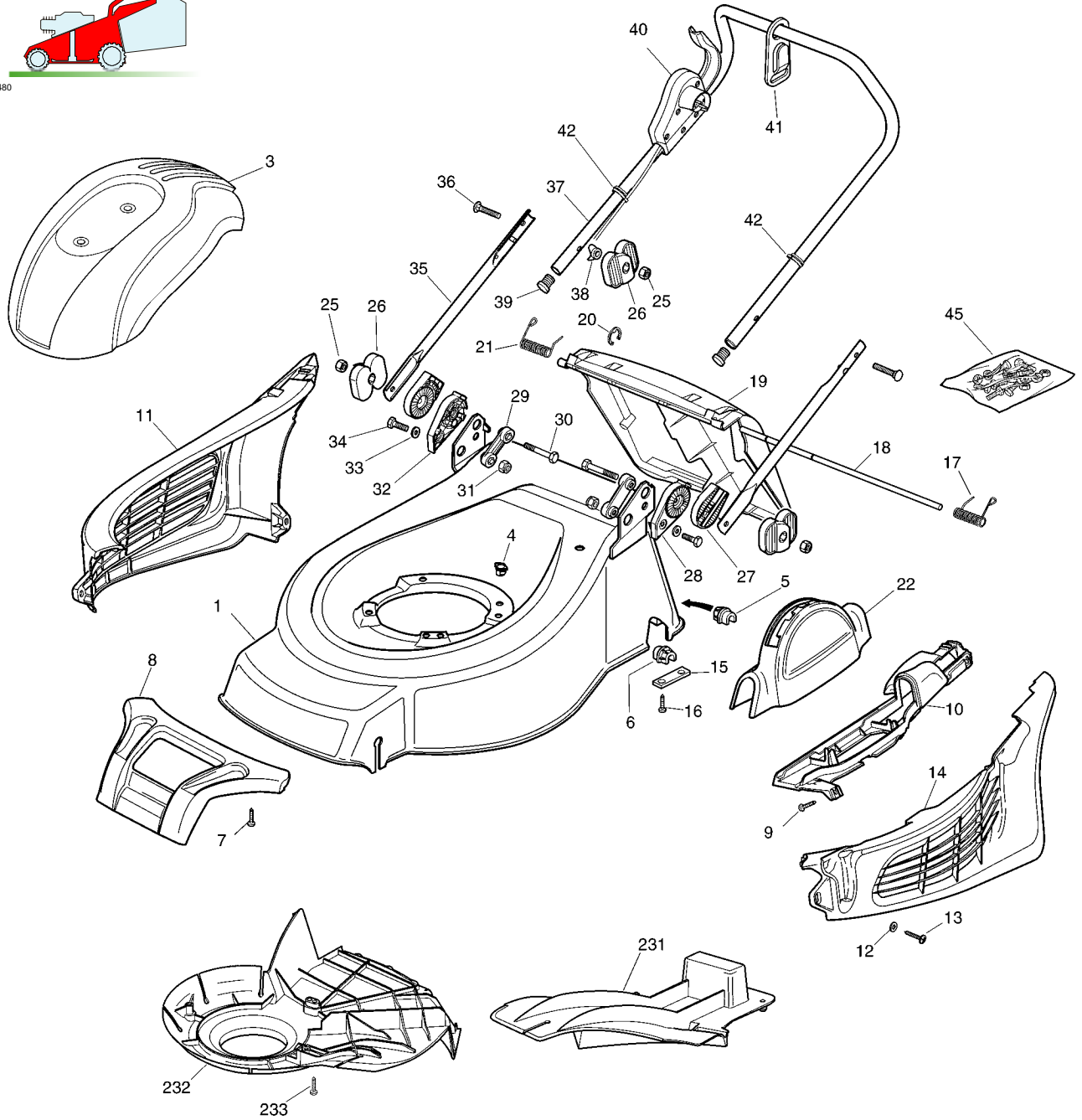


01D_SPL480



Pos.	Code	Q.ty	Descrizione	Description	Description	Beschreibung	Remarks
1	81002781/0	1	CHASSIS GRIGIO	DECK GREY	CHÂSSIS GRIS	GEHÄUSE GRAU	
2	22055065/0	1	CAPOTTINA	COVER	CAPOT	HAUBE	
3	12728680/0	1	VITE	SCREW	VIS	SCHRAUBE	
4	22291150/0	1	INSERTO IN GOMMA	RUBBER INSERT	INSERT DE GAOUTCHOU	GUMMI EINSATZ	
5	22038402/0	1	BRONZINA DX	R BUSH	DOUILLE D	RECHTE BUCHSE	
6	22038403/0	1	BRONZINA SX	L BUSH	DOUILLE G	LINKE BUCHSE	
7	12728693/0	2	VITE	SCREW	VIS	SCHRAUBE	
8	81390104/0	1	MASCHERINA, ROSSO	MASK, RED	MESQUE, ROUGE	MASKE, ROT	
9	12728688/0	3	VITE	SCREW	VIS	SCHRAUBE	
10	22785192/0	1	SUPPORTO CARTER ROSSO	SUPPORT, RED	SUPPORT, ROUGE	HALTER, ROT	
11	22226070/0	1	PROFILO DESTRO ROSSO	RIGHT PROFIL, RED	PROFIL DROIT, ROUGE	RECHTE PROFIL, ROT	
12	12521330/0	4	ROSETTA	WASHER	RONDELLE	SCHEIBE	

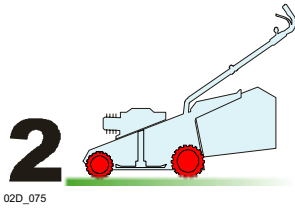


GLOBAL GARDEN PRODUCTS

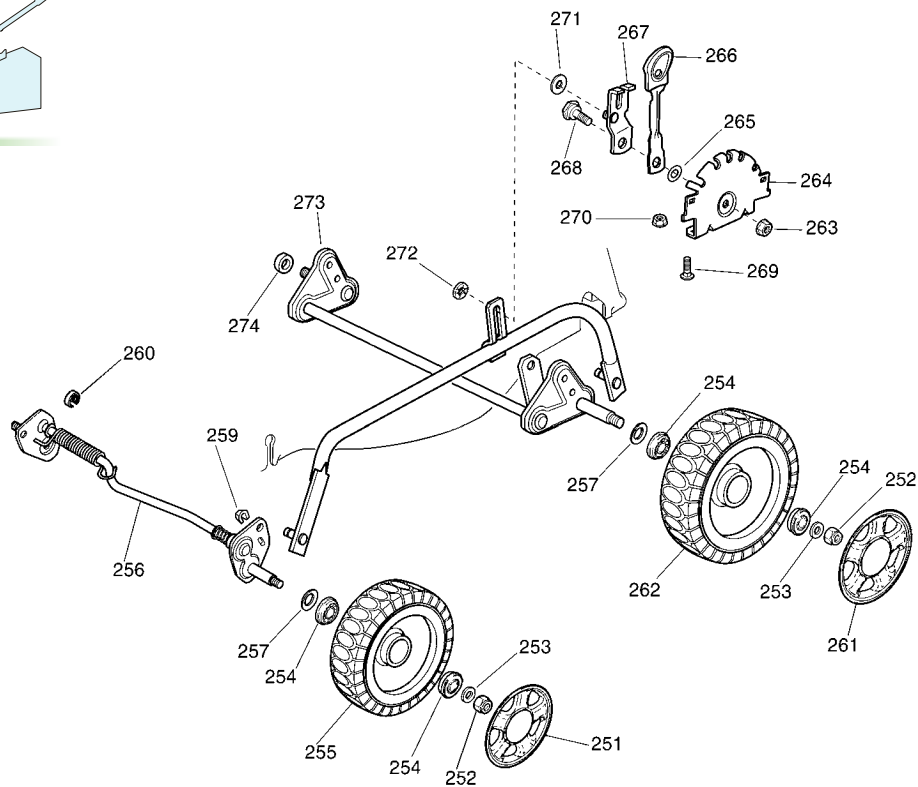
Pos.	Code	Q.ty	Descrizione	Description	Description	Beschreibung	Remarks
13	12728520/0	4	VITE	SCREW	VIS	SCHRAUBE	
14	22226071/0	1	PROFILO SINISTRO ROSSO	LEFT PROFIL, RED	PROFIL GAUCHE, ROUGE	LINKE PROFIL, ROT	
15	22545142/0	2	PIASTRINA	PLATE	PLAQUETTE	PLÄTTCHEN	
16	12731350/0	4	VITE	SCREW	VIS	SCHRAUBE	
17	22450420/1	1	MOLLA SX	L SPRING	RESSORT G	LINKE FEDER	
18	22517906/1	1	PERNO	PIN	PIVOT	BOLZEN	
19	22600063/1	1	PARASASSI	STONE-GUARD	PARE-PIERRES	PRALLBLECH	
20	12000930/0	1	ANELLO ELASTICO	SNAP RING	ANNEAU RESSORT	SPRENGRING	
21	22450410/1	1	MOLLA DX	R SPRING	RESSORT D	RECHTE FEDER	
22	22109720/0	1	CARTER ROSSO	COVER, RED	COUVRE, RED	KAPPE, ROT	
25	12293202/0	4	DADO	NUT	ECROU	MUTTER	
26	22399803/0	4	MANOPOLINA	KNOB	POIGNÉE	GRIFF	
27	22785081/1	2	SUPPORTO ESTERNO	SUPPORT, EXTERNAL	SUPPORT EXTERNE	HALTER, AUßERE	
28	22785083/1	1	SUPPORTO INTERNO SX	SUPPORT, L INTERNAL	SUPPORT INTERNE G	HALTER, INNERE L	
29	22551575/0	2	PIASTRINA INTERNA	PLATE, INSIDE	PLAQUETTE INTERNE	PLATTE, INNERE	
30	12691810/0	2	VITE	SCREW	VIS	SCHRAUBE	
31	12155000/0	2	DADO	NUT	ECROU	MUTTER	
32	22785082/0	1	SUPPORTO INTERNO DX	SUPPORT, R INTERNAL	SUPPORT INTERNE D	HALTER, INNERE R	
33	12521350/0	2	ROSETTA	WASHER	RONDELLE	SCHEIBE	
34	12793701/0	2	VITE	SCREW	VIS	SCHRAUBE	
35	81006531/0	2	MANICO INFERIORE	HANDLE, LOWER PART	MANCHERON INFERIEURE	HOLM, UNTERTEIL	
36	12819125/0	2	VITE	SCREW	VIS	SCHRAUBE	
37	81007037/1	1	MANICO SUPERIORE	HANDLE, UPPER PART	MANCHERON SUPERIEURE	HOLM, OBERTEIL	
38	22680006/1	2	ROSETTA	WASHER	RONDELLE	SCHEIBE	
39	18566110/0	2	PUNTALE	CAP	BOUCHON	GUMMISTOPFEN	
40	-	1	SALVAMOTORE	DEAD HAND SWITCH	INT. MAIN MORTE	TOT MANSCHALTER	(SEE ENCLOSURE 2)
41	22195101/4	1	FERMACAVO	FAIRLEAD	FIXATION CABLE	KABELBEFESTIGUNG	
42	22192000/1	2	FASCETTA ANCORAGGIO	ANCHOR CLAMP	COLLIER ANCRAGE	BOWDENZUGHALTER	
45	81008632/0	1	DOTAZIONE VITERIA	OUTFIT, SCREWS	DOTATION VISSERIE	SATZ, SCHRAUBEN	

VARIANTE MULCHING - MULCHING MODIFICATION - MODIFICATION MULCHING - ÄNDERUNGEN MULCHING

Pos.	Code	Q.ty	Descrizione	Description	Description	Beschreibung	Remarks
231	22140223/0	1	DEFLETTORE	DEFLECTOR	DEFLECTEUR	DEFLEKTOR	
232	22060198/0	1	CARTER	PROTECTION	PROTECTION	SCHUTZ	
233	12728530/0	3	VITE	SCREW	VIS	SCHRAUBE	



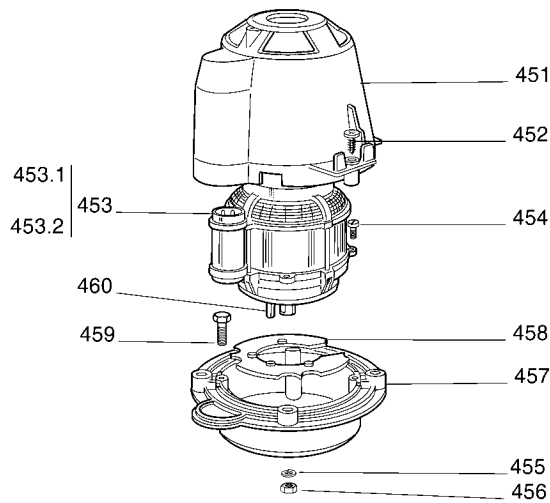
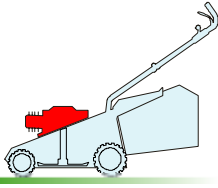
02D_075



Pos.	Code	Q.ty	Descrizione	Description	Description	Beschreibung	Remarks
251	22110381/0	2	COPRIMOZZO GRIGIO	HUB CAP GREY	COUVRE-MOYEU GRIS	RADKAPPE GRAU	
252	12155000/0	4	DADO	NUT	ECROU	MUTTER	
253	12521350/0	4	ROSETTA	WASHER	RONDELLE	SCHEIBE	
254	22122200/0	8	CUSCINETTO	BEARING	COUSSINET	LAGER	
255	81007336/0	2	RUOTA SCOLPITA Ø 170	WHEEL, KNOBBLY Ø 170	ROUE SCULPTEE Ø 170	RAD M. STOLLENPR. Ø 170	
256	81000141/1	1	ASSE RUOTE ANTERIORE	AXLE, FRONT WHEELS	AXE ROUES AVANT	ACHSE, VORDERRAD	
257	12530150/0	4	ROSETTA ELASTICA	SPRING WASHER	RONDELLE ELASTIQUE	ELASTISCHE SCHEIBE	
258	81006491/0	1	ASTA COMANDO REGOL. ALTEZZA	ROD, HEIGHT ADJUSTMENT CONTROL	TIGE COMMANDE REGLAGE HAUTEUR	STANGE, HÖHEVERSTELLUNG	
259	12436050/0	2	PIASTRINA	PLATE	PLAQUETTE	PLÄTTCHEN	
260	22171002/0	1	DISTANZIALE	SPACER	ENTRETOISE	DISTANZRING	
261	22110382/0	2	COPRIMOZZO GRIGIO	HUB CAP GREY	COUVRE-MOYEU GRIS	RADKAPPE GRAU	
262	81007337/0	2	RUOTA SCOLPITA Ø 210	WHEEL, KNOBBLY Ø 210	ROUE SCULPTEE Ø 210	RAD M. STOLLENPR. Ø 210	
263	12154210/0	1	DADO	NUT	ECROU	MUTTER	
264	22735571/1	1	SETTORE REGOLAZIONE ALTEZZA	SECTOR, HEIGHT ADJUSTMENT	SECTEUR REGLAGE HAUTEUR	SEKTOR, HÖHEVERSTELLUNG	
265	22672152/0	1	ROSETTA	WASHER	RONDELLE	SCHEIBE	
266	81003322/0	1	LEVA REGOLAZIONE ALTEZZA	LEVER, HEIGHT ADJUSTMENT	LEVIER REGLAGE HAUTEUR	HEBEL, HÖNEVERSTELLUNG	
267	81005121/0	1	PIASTRINA	PLATE	PLAQUETTE	PLÄTTCHEN	
268	22524333/0	1	PERNO	PIN	PIVOT	BOLZEN	
269	12815200/0	2	VITE	SCREW	VIS	SCHRAUBE	
270	12292102/0	2	DADO	NUT	ECROU	MUTTER	
271	12369500/0	1	DISCO ELASTICO	ELASTIC WASHER	DISQUE ELASTIQUE	FEDERSCHEIBE	
272	12604896/0	1	ANELLO ELASTICO	SNAP RING	ANNEAU RESSORT	SPRENGRING	
273	81001278/0	1	ASSE RUOTE POSTERIORE	AXLE, REAR WHEELS	AXE ROUES ARRIERE	ACHSE, HINTERRAD	
274	22170800/0	1	DISTANZIALE	SPACER	ENTRETOISE	DISTANZRING	

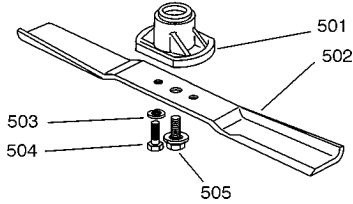
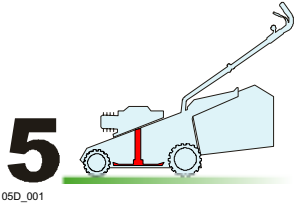
4

04D_001

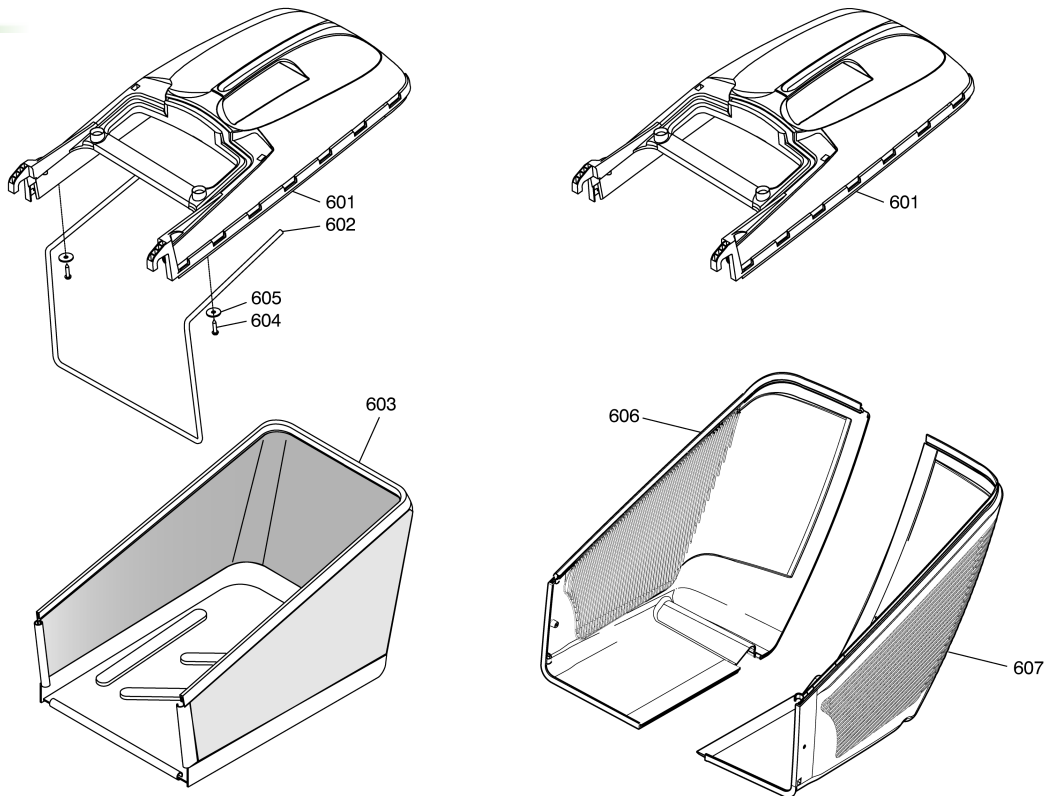
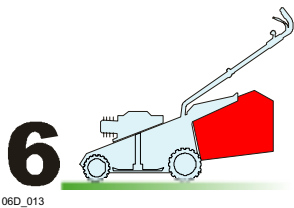


Pos.	Code	Q.ty	Descrizione	Description	Description	Beschreibung	Remarks
451	22785061/0	1	SUPPORTO CAPOTTINA	SUPPORT, COVER	SUPPORT CAPOT	HALTER, HAUBE	
-	22785210/0	1	SUPPORTO CAPOTTINA	SUPPORT, COVER	SUPPORT CAPOT	HALTER, HAUBE	(1800W)
452	12728710/0	4	VITE	SCREW	VIS	SCHRAUBE	
453	18563605/0	1	MOTORE ATB	MOTOR ATB	MOTEUR ATB	MOTOR ATB	230V (1600W)
-	18563009/0	1	MOTORE RST	MOTOR RST	MOTEUR RST	MOTOR RST	230V (1600W)
-	18563640/0	1	MOTORE ATB	MOTOR ATB	MOTEUR ATB	MOTOR ATB	230V (1800W)
-	18563607/0	1	MOTORE ATB	MOTOR ATB	MOTEUR ATB	MOTOR ATB	240V (1600W)
453.1	18740054/0	1	VENTOLA PER MOTORE ATB	FAN MOTOR ATB	VENTILATEUR MOTEUR ATB	LÜFTER MOTOR ATB	
-	18740051/0	1	VENTOLA PER MOTORE RST	FAN MOTOR RST	VENTILATEUR MOTEUR RST	LÜFTER MOTOR RST	
453.2	18222045/0	1	CONDENSATORE 16 µF	CONDENSER 16 µF	CONDENSEUR 16 µF	KONDENSATOR 16 µF	(ATB - 1600W)
-	18222039/0	1	CONDENSATORE 25 µF	CONDENSER 25 µF	CONDENSEUR 25 µF	KONDENSATOR 25 µF	(ATB - 1800W)
-	18222038/0	1	CONDENSATORE 20 µF	CONDENSER 20 µF	CONDENSEUR 20 µF	KONDENSATOR 20 µF	(RST)
454	12735410/0	4	VITE	SCREW	VIS	SCHRAUBE	
455	12583500/0	4	GROWER	GROWER	GROWER	FEDERRING	
456	12293200/0	4	DADO	NUT	ECROU	MUTTER	
457	22207211/3	1	FLANGIA	FLANGE	BRIDE	FLANSCH	
-	22207216/0	1	FLANGIA	FLANGE	BRIDE	FLANSCH	(SPL 480 MULCHING)
458	22720360/1	1	SCHERMO VENTILAZIONE	VENTILATION SCREEN	ECRAN VENTILATION	LÜFTUNGSSCHIRM	
459	12793700/0	4	VITE	SCREW	VIS	SCHRAUBE	
460	12139440/0	1	LINGUETTA	FEATHER	CLAVETTE	KEIL	

GLOBAL GARDEN PRODUCTS



Pos.	Code	Q.ty	Descrizione	Description	Description	Beschreibung	Remarks
501	22463186/2	1	MOZZO	HUB	MOYEU	HALTER	
502	81004346/3	1	COLTELLO STANDARD	BLADE STANDARD	LAME STANDARD	MESSER STANDARD	
503	12583500/0	2	GROWER	GROWER	GROWER	FEDERRING	
504	12793101/0	2	VITE	SCREW	VIS	SCHRAUBE	
505	81004352/0	1	VITE	SCREW	VIS	SCHRAUBE	



Pos.	Code	Q.ty	Descrizione	Description	Description	Beschreibung	Remarks
601	22486101/0	1	SACCO, PARTE SUP	GRASS-BOX, UPPER PART	SAC, PARTIE SUPERIEURE	KORB, OBERTEIL	
602	22608525/0	1	RINFORZO INF	STIFFENING LOWER	RÉNFORCEMENT INF	VERSTÄRKUNG UNTERE	
603	81002211/0	1	SACCO, TELA	BOX, FABRIC	SAC, TOILE	SACK, TUCK	



140

GLOBAL GARDEN PRODUCTS

Pos.	Code	Q.ty	Descrizione	Description	Description	Beschreibung	Remarks
604	12728680/0	2	VITE	SCREW	VIS	SCHRAUBE	
605	12523050/0	2	ROSETTA	WASHER	RONDELLE	SCHEIBE	
607	22486150/0	1	SACCO PARTE INF	GRASS-BOX, LOWER PART	SAC, PARTIE INFERIEURE	KORB, UNTERTEIL	
608	22486151/0	1	SACCO PARTE INF	GRASS-BOX, LOWER PART	SAC, PARTIE INFERIEURE	KORB, UNTERTEIL	