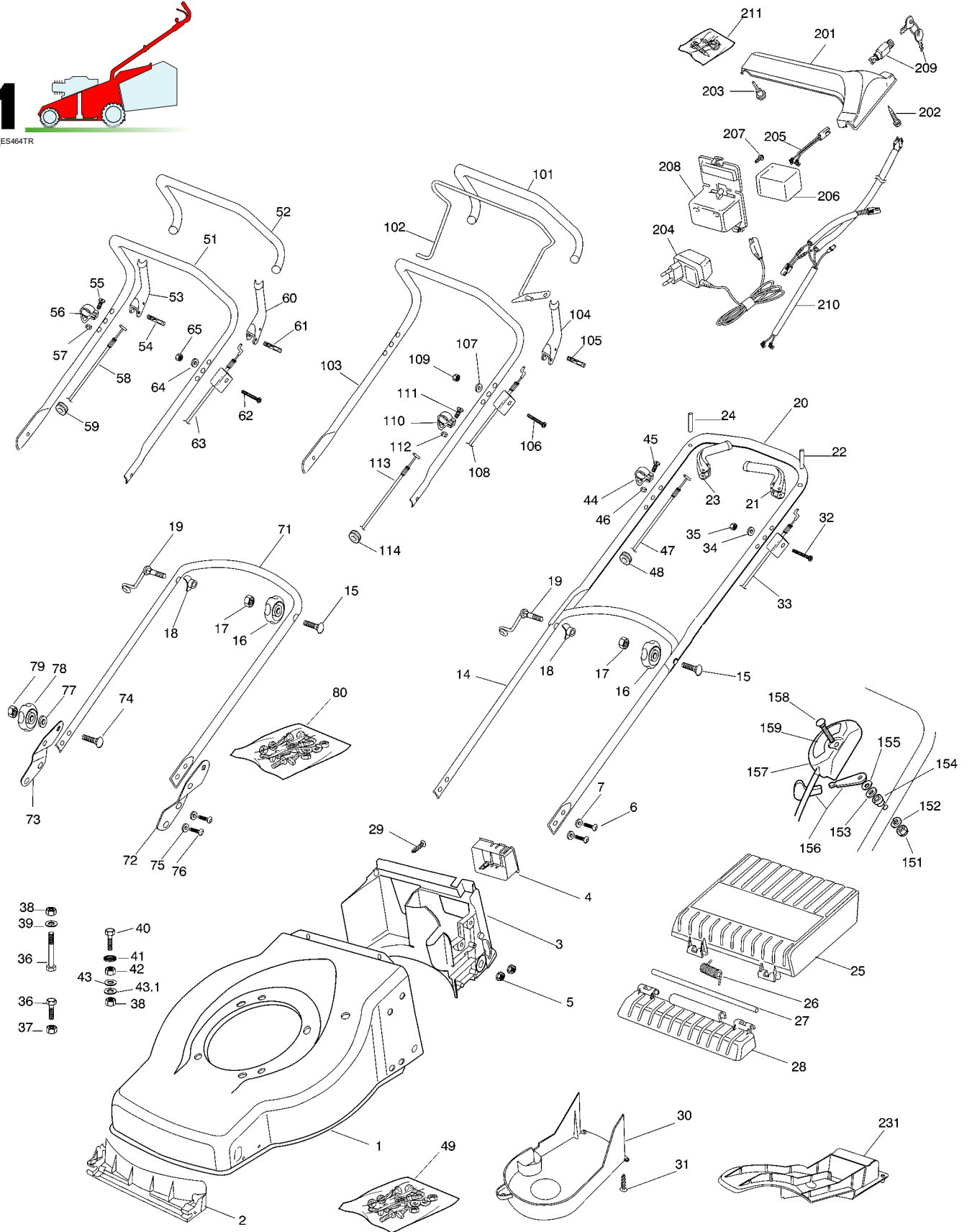


01D_ES464TR



Pos.	Code	Q.ty	Descrizione	Description	Description	Beschreibung	Remarks
1	81002532/0	1	CHASSIS VERDE	DECK GREEN	CHÂSSIS VERT	GEHÄUSE GRÜN	
2	22108271/0	1	CONVOGL. ANTERIORE	FRONT CONVEYOR ASSY	ENS. CONVOYEUR AVANT	HINTERLEITBLECHVORDER	
3	22108272/1	1	CONVOGL. POSTERIORE	REAR CONVEYOR ASSY	ENS. CONVOYEUR POST.	HINTERLEITBLECHSATZ	

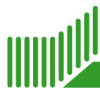


GLOBAL GARDEN PRODUCTS

Pos.	Code	Q.ty	Descrizione	Description	Description	Beschreibung	Remarks
4	22109531/0	1	COPERCHIO	COVER	COUVERCLE	DECKEL	
5	22131750/0	4	DADO	NUT	ECROU	MUTTER	
6	12760605/0	4	VITE	SCREW	VIS	SCHRAUBE	
7	12521350/0	4	ROSETTA	WASHER	RONDELLE	SCHEIBE	
14	81006570/0	1	MANICO INFERIORE	HANDLE, LOWER PART	MANCHERON INFERIEURE	HOLM, UNTERTEIL	
15	12819201/0	1	VITE	SCREW	VIS	SCHRAUBE	
16	22399804/0	2	MANOPOLINA	KNOB	POIGNÉE	GRIFF	
17	12293200/0	2	DADO	NUT	ECROU	MUTTER	
18	22680006/1	2	ROSETTA	WASHER	RONDELLE	SCHEIBE	
19	81003801/1	1	MOLLA GUIDA	GUIDE SPRING	RESSORT DE GUIDE	FEDER FÜHRER	
20	81006577/0	1	MANICO SUPERIORE	HANDLE, UPPER PART	MANCHERON SUPERIEURE	HOLM, OBERTEIL	
21	22321700/0	1	LEVA FRENO MOTORE	LEVER, MOTOR BRAKE	LEVIER FREIN MOTEUR	HEBEL, MOTORBREMSE	
22	12645710/0	1	SPINA	PIN	GOUPILLE	STIFT	
23	22321701/0	1	LEVA TRAZIONE	DRIVING LEVER	LEVIER TRACTION	ANTRIEBHEBEL	
24	12645710/0	1	SPINA	PIN	GOUPILLE	STIFT	
25	22600099/0	1	PROTEZIONE	PROTECTION	PROTECTION	SCHUTZ	
26	22450431/0	1	MOLLA	SPRING	RESSORT	FEDER	
27	22517858/0	1	PERNO	PIN	PIVOT	BOLZEN	
28	22785136/0	1	SUPPORTO	SUPPORT	SUPPORT	HALTER	
29	12728686/0	2	VITE	SCREW	VIS	SCHRAUBE	
30	22060212/0	1	CARTER CINGHIA	PROTECTION, BELT	PROTECTION COURROIRE	SCHUTZ, RIEMEN	
31	12728686/0	2	VITE	SCREW	VIS	SCHRAUBE	
32	12674700/0	1	VITE	SCREW	VIS	SCHRAUBE	
33	81000655/0	1	CAVO FRENO MOTORE	CABLE, THREAD MOTOR BRAKE	CABLE FREIN MOTEUR	KABEL, MOTORBREMSE	(B&S - HONDA)
-	81000612/0	1	CAVO FRENO MOTORE	CABLE, THREAD MOTOR BRAKE	CABLE FREIN MOTEUR	KABEL, MOTORBREMSE	(SUMEC)
-	81000656/1	1	CAVO FRENO MOTORE	CABLE, THREAD MOTOR BRAKE	CABLE FREIN MOTEUR	KABEL, MOTORBREMSE	(TECUMSEH)
34	12521330/0	1	ROSETTA	WASHER	RONDELLE	SCHEIBE	
35	12292100/0	1	DADO	NUT	ECROU	MUTTER	
36	12793701/0	2	VITE	SCREW	VIS	SCHRAUBE	
37	12293201/0	1	DADO	NUT	ECROU	MUTTER	
38	12155000/0	2	DADO	NUT	ECROU	MUTTER	
39	12521350/0	1	ROSETTA	WASHER	RONDELLE	SCHEIBE	
40	12793801/0	1	VITE	SCREW	VIS	SCHRAUBE	
41	12540060/0	1	ROSETTA	WASHER	RONDELLE	SCHEIBE	
42	12293200/0	1	DADO	NUT	ECROU	MUTTER	
43	22671651/0	1	ROSETTA	WASHER	RONDELLE	SCHEIBE	
43.1	25670011/0	1	ROSETTA	WASHER	RONDELLE	SCHEIBE	
44	22806521/0	1	FASCETTA	CLAMP	COLLIER	BOWDENZUGHALTER	
45	12769616/0	1	VITE	SCREW	VIS	SCHRAUBE	
46	12292100/0	1	DADO	NUT	ECROU	MUTTER	
47	81000654/0	1	CAVO COMANDO TRAZIONE	CABLE, REAR DRIVE	CÂBLE, COMMANDE TRACTION	KABEL, ANTRIEB	
48	18564510/0	1	PASSACAVO	FAIR LEAD	PASSE CABLE	KABELDURCHGANG	
49	81008648/1	1	DOTAZIONE VITERIA	OUTFIT, SCREWS	DOTATION VISSERIE	SATZ, SCHRAUBEN	

VARIANTE MANICO - HANDLE MODIFICATION - MODIFICATION POIGNEE - ÄNDERUNGEN GRIFFENSTEEL

Pos.	Code	Q.ty	Descrizione	Description	Description	Beschreibung	Remarks
51	81006578/0	1	MANICO SUPERIORE	HANDLE, UPPER PART	MANCHERON SUPERIEURE	HOLM, OBERTEIL	
52	22291057/0	1	IMPUGNATURA MANICO	HANDGRIP	POIGNÉE	HANDGRIFF	
53	22321701/0	1	LEVA TRAZIONE	DRIVING LEVER	LEVIER TRACTION	ANTRIEBHEBEL	
54	12645710/0	1	SPINA	PIN	GOUPILLE	STIFT	
55	12769616/0	1	VITE	SCREW	VIS	SCHRAUBE	
56	22806521/0	1	FASCETTA	CLAMP	COLLIER	BOWDENZUGHALTER	
57	12292100/0	1	DADO	NUT	ECROU	MUTTER	
58	81000654/0	1	CAVO COMANDO TRAZIONE	CABLE, REAR DRIVE	CÂBLE, COMMANDE TRACTION	KABEL, ANTRIEB	
59	18564520/1	1	PASSACAVO	FAIR LEAD	PASSE CABLE	KABELDURCHGANG	



GLOBAL GARDEN PRODUCTS

Pos.	Code	Q.ty	Descrizione	Description	Description	Beschreibung	Remarks
60	22321700/0	1	LEVA FRENO MOTORE	LEVER, MOTOR BRAKE	LEVIER FREIN MOTEUR	HEBEL, MOTORBREMSE	
61	12645710/0	1	SPINA	PIN	GOUPILLE	STIFT	
62	12674700/0	1	VITE	SCREW	VIS	SCHRAUBE	
63	81000657/0	1	CAVO FRENO MOTORE	CABLE, THREAD MOTOR BRAKE	CABLE FREIN MOTEUR	KABEL, MOTORBREMSE	(B&S)
-	81000656/1	1	CAVO FRENO MOTORE	CABLE, THREAD MOTOR BRAKE	CABLE FREIN MOTEUR	KABEL, MOTORBREMSE	(TECUMSEH)
64	12521330/0	1	ROSETTA	WASHER	RONDELLE	SCHEIBE	
65	12292100/0	1	DADO	NUT	ECROU	MUTTER	

VARIANTE MANICO INFERIORE - LOWER HANDLE MODIFICATION - MODIFICATION MANCHERON INFERIEURE - UNTERHOLM ÄNDERUNGEN

Pos.	Code	Q.ty	Descrizione	Description	Description	Beschreibung	Remarks
71	81006576/0	1	MANICO INFERIORE	HANDLE, LOWER PART	MANCHERON INFERIEURE	HOLM, UNTERTEIL	
72	81005113/0	1	STAFFA SX	BRACKET, L	BRIDE G	PRATZE, LINKE	
73	81005111/0	1	STAFFA DX	BRACKET, R	BRIDE D	PRATZE, RECHTE	
74	12818900/0	2	VITE	SCREW	VIS	SCHRAUBE	
75	12521350/0	4	ROSETTA	WASHER	RONDELLE	SCHEIBE	
76	12760605/0	4	VITE	SCREW	VIS	SCHRAUBE	
77	22671653/0	2	ROSETTA	WASHER	RONDELLE	SCHEIBE	
78	22399804/0	2	MANOPOLINA	KNOB	POIGNÉE	GRIFF	
79	12293200/0	2	DADO	NUT	ECROU	MUTTER	
80	81008650/0	1	DOTAZIONE VITERIA	OUTFIT, SCREWS	DOTATION VISSERIE	SATZ, SCHRAUBEN	

VARIANTE MANICO SUPERIORE - UPPER HANDLE MODIFICATION - MODIFICATION MANCHERON SUPERIEURE - UBERHOLM ÄNDERUNGEN

Pos.	Code	Q.ty	Descrizione	Description	Description	Beschreibung	Remarks
101	22291057/0	1	IMPUGNATURA MANICO	HANDGRIP	POIGNÉE	HANDGRIFF	
102	81003299/0	1	LEVA TRAZIONE	DRIVING LEVER	LEVIER TRACTION	ANTRIEBHEBEL	
103	81006578/0	1	MANICO SUPERIORE	HANDLE, UPPER PART	MANCHERON SUPERIEURE	HOLM, OBERTEIL	
104	22321700/0	1	LEVA FRENO MOTORE	LEVER, MOTOR BRAKE	LEVIER FREIN MOTEUR	HEBEL, MOTORBREMSE	
105	12645710/0	1	SPINA	PIN	GOUPILLE	STIFT	
106	12674700/0	1	VITE	SCREW	VIS	SCHRAUBE	
107	12521330/0	1	ROSETTA	WASHER	RONDELLE	SCHEIBE	
108	81000681/0	1	CAVO FRENO MOTORE	CABLE, THREAD MOTOR BRAKE	CABLE FREIN MOTEUR	KABEL, MOTORBREMSE	(B&S - HONDA)
-	81000656/1	1	CAVO FRENO MOTORE	CABLE, THREAD MOTOR BRAKE	CABLE FREIN MOTEUR	KABEL, MOTORBREMSE	(TECUMSEH)
109	12292100/0	1	DADO	NUT	ECROU	MUTTER	
110	22806521/0	1	FASCETTA	CLAMP	COLLIER	BOWDENZUGHALTER	
111	12769616/0	1	VITE	SCREW	VIS	SCHRAUBE	
112	12292100/0	1	DADO	NUT	ECROU	MUTTER	
113	81000658/0	1	CAVO COMANDO TRAZIONE	CABLE, REAR DRIVE	CÂBLE, COMMANDE TRACTION	KABEL, ANTRIEB	
114	18564520/1	1	PASSACAPO	FAIR LEAD	PASSE CABLE	KABELDURCHGANG	

VARIANTE ACCELERATORE - THROTTLE MODIFICATION - MODIFICATION COMMANDE D'ACCELERATION - ÄNDERUNGEN AUF GASHEBEL

Pos.	Code	Q.ty	Descrizione	Description	Description	Beschreibung	Remarks
151	12291000/0	2	DADO	NUT	ECROU	MUTTER	
152	12581500/0	4	GROWER	GROWER	GROWER	FEDERRING	
153	22171005/0	4	DISTANZIALE	SPACER	ENTRETOISE	DISTANZRING	
154	12521360/0	4	ROSETTA	WASHER	RONDELLE	SCHEIBE	
155	12508100/0	1	ROSETTA ELASTICA	SPRING WASHER	RONDELLE ELASTIQUE	ELASTISCHE SCHEIBE	
156	81007279/1	1	LEVA, ACCELERATORE	LEVER, THROTTLE	LEVIER, ACCELERATEUR	HEBEL, BESHLEUNIGER	
157	81007080/0	1	CAVO ACCELERATORE	CABLE, TROTTLE	CABLE, ACCELERATEUR	KABLE, BESCHLEUNIGER	
158	12815000/0	1	VITE	SCREW	VIS	SCHRAUBE	
159	14356703/0	1	ETICHETTA	LABEL	ETIQUETTE	ETIKETTE	(B&S)
-	14356702/0	1	ETICHETTA	LABEL	ETIQUETTE	ETIKETTE	(HONDA)
-	14360197/0	1	ETICHETTA	LABEL	ETIQUETTE	ETIKETTE	(SUMEC)
-	14356905/0	1	ETICHETTA	LABEL	ETIQUETTE	ETIKETTE	(TECUMSEH)

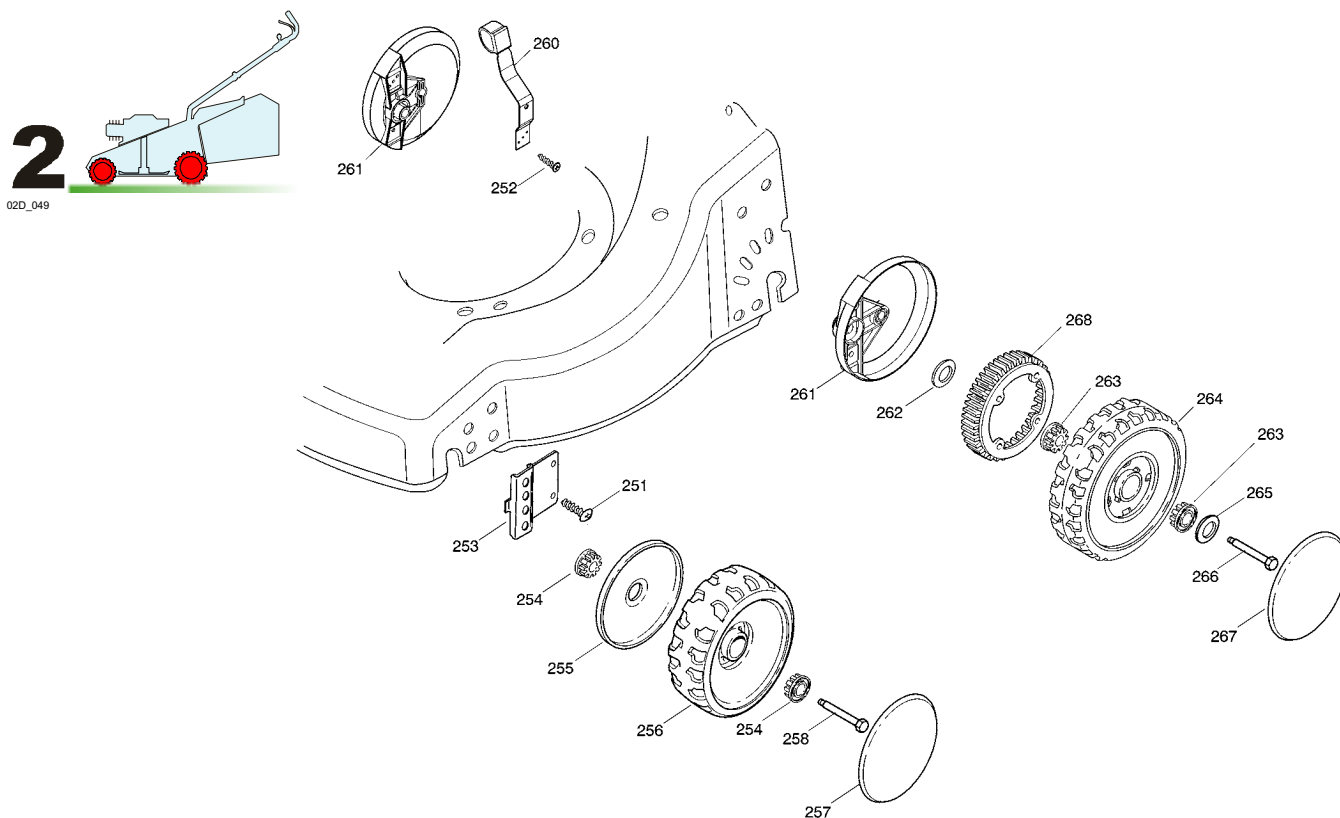


VARIANTI PER AVVIAMENTO ELETTRICO - PARTS FOR ELECTIC START - COMPOSANTS POUR DÉMARRAGE ÉLECTRIQUE - ELEKTROSTART BESTANDTEILE

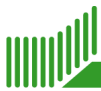
Pos.	Code	Q.ty	Descrizione	Description	Description	Beschreibung	Remarks
201	22120148/0	1	CRUSCOTTO GIALLO	DASH BOARD YELLOW	CONSOLE JAUNE	KONSOLE GELBE	
-	22120164/0	1	CRUSCOTTO NERO	DASH BOARD BLACK	CONSOLE NOIRE	KONSOLE SCHWARZE	
-	22120150/0	1	CRUSCOTTO ROSSO	DASH BOARD RED	CONSOLE ROUGE	KONSOLE ROTE	
202	12728460/0	1	VITE	SCREW	VIS	SCHRAUBE	
203	22943006/0	1	VITE	SCREW	VIS	SCHRAUBE	
204	18204120/0	1	CARICA BATTERIA	BATTERY CHARGER	CHARGEUR DE BATTERIE	LADGERÄT	
-	18204121/0	1	CARICA BATTERIA	BATTERY CHARGER	CHARGEUR DE BATTERIE	LADGERÄT	(UK)
205	22063002/1	1	CAVO AVVIAMENTO	CABLE, START	CABLE DÉMARRAGE	KABEL, START	
206	18120053/0	1	BATTERIA	BATTERY	BATTERIE	BATTERIE	
207	12728691/0	1	VITE	SCREW	VIS	SCHRAUBE	
208	22109533/0	1	CONTENITORE BATTERIA	BATTERY BOX	CONTENEUR DE BATTERIE	BATTERIE BEHALTER	
209	18450050/0	1	INTERRUTTORE	SWITCH	INTERRUPTEUR	SCHALTER	
210	18204192/2	1	CAVO AVVIAMENTO	CABLE, START	CABLE DÉMARRAGE	KABEL, START	(B&S)
211	81008499/1	1	DOTAZIONE VITERIA CRUSCOTTO	OUTFIT, DASH-BOARD SCREWS	DOTATION VISSERIE CONSOLLE	SATZ, KONSOLLE SCHRAUBEN	

VARIANTE MULCHING - MULCHING MODIFICATION - MODIFICATION MULCHING - ÄNDERUNGEN MULCHING

Pos.	Code	Q.ty	Descrizione	Description	Description	Beschreibung	Remarks
231	22140226/0	1	DEFLETTORE	DEFLECTOR	DEFLECTEUR	DEFLEKTOR	

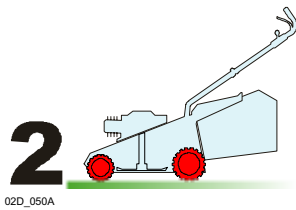


Pos.	Code	Q.ty	Descrizione	Description	Description	Beschreibung	Remarks
251	12728686/0	4	VITE	SCREW	VIS	SCHRAUBE	
252	12728689/0	2	VITE	SCREW	VIS	SCHRAUBE	
253	22551523/0	2	PIASTRA ANTERIORE	PLATE, FRONT	PLAQUE ANTÉRIEURE	PLATTE, VORDER	
254	22034515/1	4	BUSSOLA	BUSH	DOUILLE	BUCHSE	
255	22600095/0	2	PROTEZIONE	PROTECTION	PROTECTION	SCHUTZ	
256	22686091/1	2	RUOTA Ø 165	WHEEL Ø 165	ROUE Ø 165	RAD Ø 165	
257	22110262/0	2	COPRIMOZZO BIANCO	HUB CAP WHITE	COUVRE-MOYEU BLANC	RADKAPPE WEIßE	
258	22524340/0	2	PERNO	PIN	PIVOT	BOLZEN	

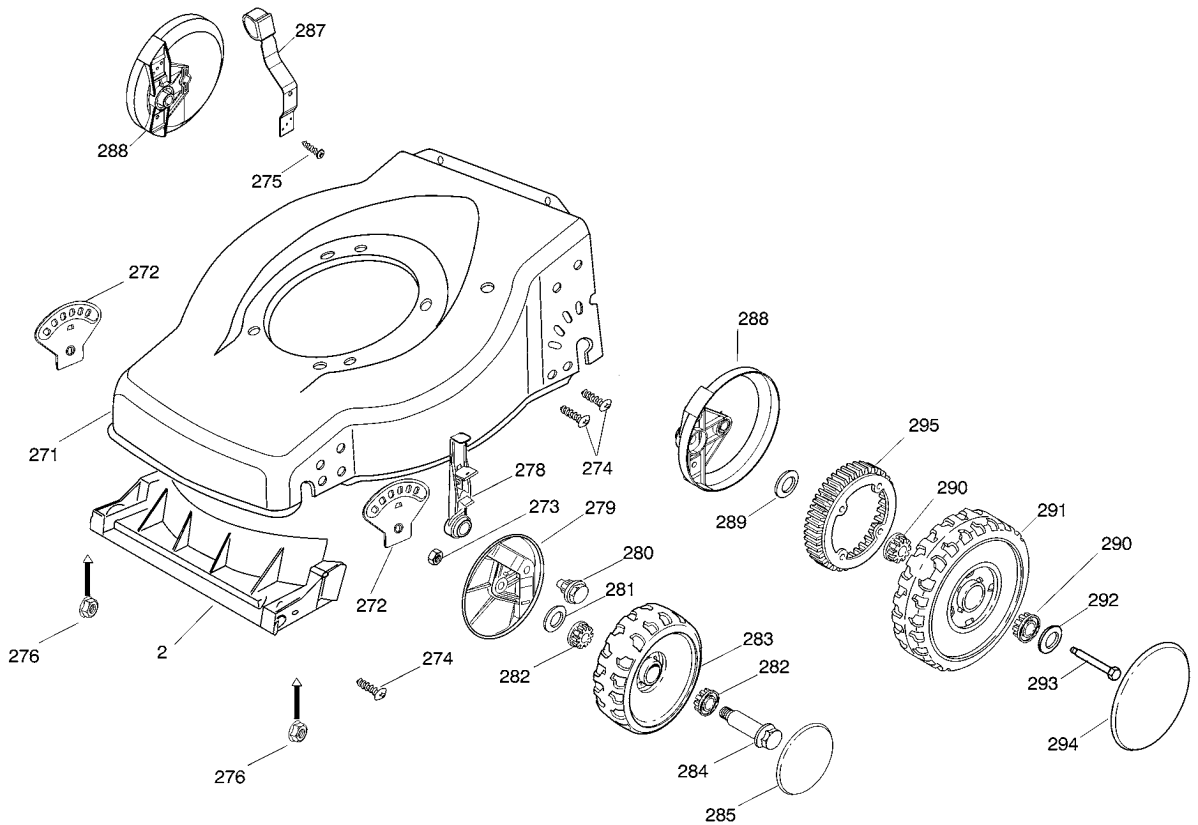


GLOBAL GARDEN PRODUCTS

Pos.	Code	Q.ty	Descrizione	Description	Description	Beschreibung	Remarks
260	81003303/0	1	LEVA REGOLAZIONE ALTEZZA	LEVER, HEIGHT ADJUSTMENT	LEVIER REGLAGE HAUTEUR	HEBEL, HÖNEVERSTELLUNG	
261	22600106/1	2	PROT. RUOTE	PROTECTION, WHEEL	PROTECTION ROUE	SCHÜTZ, RÄDER	
262	22170622/0	2	DISTANZIALE	SPACER	ENTRETOISE	DISTANZRING	
263	22034508/0	4	BUSSOLA	BUSH	DOUILLE	BUCHSE	
264	22686093/0	2	RUOTA Ø 190	WHEEL Ø 190	ROUE Ø190	RAD Ø 190	
265	12523050/0	2	ROSETTA	WASHER	RONDELLE	SCHEIBE	
266	12735599/0	2	VITE	SCREW	VIS	SCHRAUBE	
267	22110341/0	2	COPRIMOZZO BIANCO	HUB CAP WHITE	COUVRE-MOYEU BLANC	RADKAPPE WEIßE	
268	22120109/0	2	RUOTA DENTATA	SPROCKET	COURONNE	ZAHNKETTENRA	



02D_050A

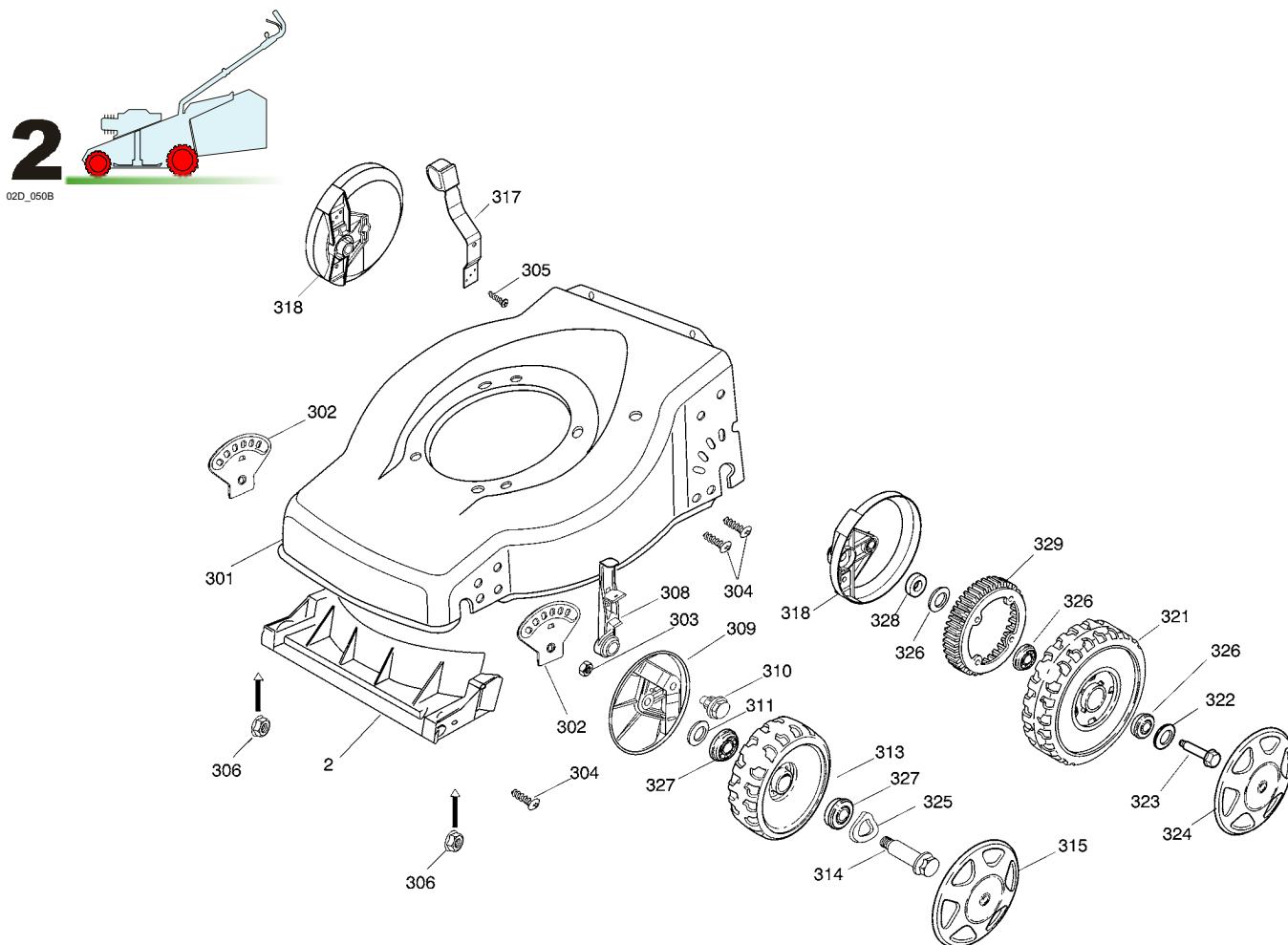


Pos.	Code	Q.ty	Descrizione	Description	Description	Beschreibung	Remarks
271	81002536/0	1	CHASSIS ROSSO	DECK RED	CHÂSSIS ROUGE	GEHÄUSE ROT	
272	22735557/0	2	SETTORE DI REGOLAZIONE	SECTOR, HEIGHT ADJUSTMENT	SECTEUR REGLAGE	SEKTOR, HÖHEVERSTELLUNG	
273	12155000/0	2	DADO	NUT	ECROU	MUTTER	
274	12728686/0	6	VITE	SCREW	VIS	SCHRAUBE	
275	12728689/0	2	VITE	SCREW	VIS	SCHRAUBE	
276	22131750/0	2	DADO	NUT	ECROU	MUTTER	
278	81003306/0	2	LEVA REGOLAZIONE ALTEZZA	LEVER, HEIGHT ADJUSTMENT	LEVIER REGLAGE HAUTEUR	HEBEL, HÖNEVERSTELLUNG	
279	22600096/0	2	PROT. RUOTE	PROTECTION, WHEEL	PROTECTION ROUE	SCHÜTZ, RÄDER	
280	22524324/0	2	PERNO	PIN	PIVOT	BOLZEN	
281	25670011/0	2	ROSETTA	WASHER	RONDELLE	SCHEIBE	
282	22034508/0	4	BUSSOLA	BUSH	DOUILLE	BUCHSE	
283	22686091/1	2	RUOTA Ø 165	WHEEL Ø 165	ROUE Ø 165	RAD Ø 165	



GLOBAL GARDEN PRODUCTS

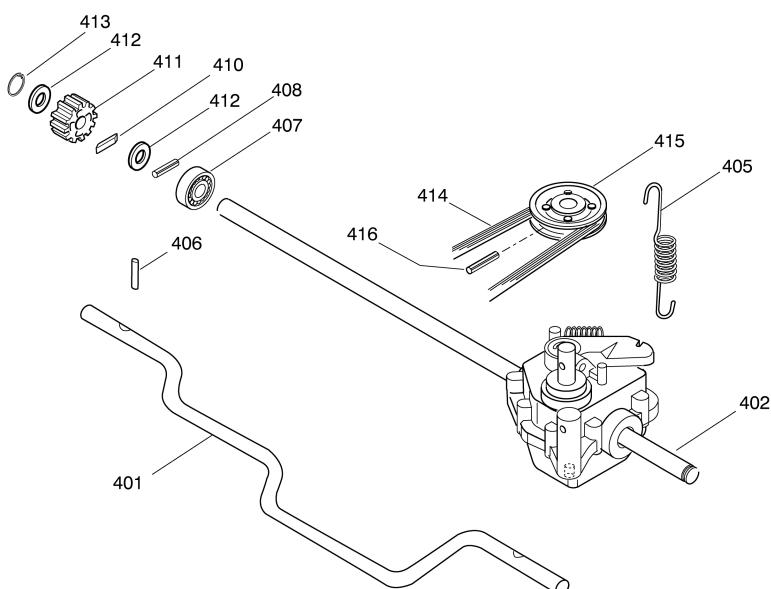
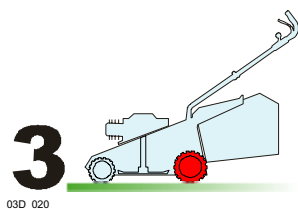
Pos.	Code	Q.ty	Descrizione	Description	Description	Beschreibung	Remarks
284	22524341/0	2	PERNO	PIN	PIVOT	BOLZEN	
285	22110262/0	2	COPRIMOZZO BIANCO	HUB CAP WHITE	COUVRE-MOYEU BLANC	RADKAPPE WEIßE	
287	81003303/0	1	LEVA REGOLAZIONE ALTEZZA	LEVER, HEIGHT ADJUSTMENT	LEVIER REGLAGE HAUTEUR	HEBEL, HÖNEVERSTELLUNG	
288	22600106/1	2	PROT. RUOTE	PROTECTION, WHEEL	PROTECTION ROUE	SCHÜTZ, RÄDER	
289	22170622/0	2	DISTANZIALE	SPACER	ENTRETOISE	DISTANZRING	
290	22034508/0	4	BUSSOLA	BUSH	DOUILLE	BUCHSE	
291	22686093/0	2	RUOTA Ø 190	WHEEL Ø 190	ROUE Ø190	RAD Ø 190	
292	12523050/0	2	ROSETTA	WASHER	RONDELLE	SCHEIBE	
293	12735599/0	2	VITE	SCREW	VIS	SCHRAUBE	
294	22110265/0	2	COPRIMOZZO BIANCO	HUB CAP WHITE	COUVRE-MOYEU BLANC	RADKAPPE WEIßE	
295	22120109/0	2	RUOTA DENTATA	SPROCKET	COURONNE	ZAHNKETTENRA	



Pos.	Code	Q.ty	Descrizione	Description	Description	Beschreibung	Remarks
301	81002536/0	1	CHASSIS ROSSO	DECK RED	CHÂSSIS ROUGE	GEHÄUSE ROT	
302	22735557/0	2	SETTORE DI REGOLAZIONE	SECTOR, HEIGHT ADJUSTMENT	SECTEUR REGLAGE	SEKTOR, HÖHEVERSTELLUNG	
303	12155000/0	2	DADO	NUT	ECROU	MUTTER	
304	12728686/0	6	VITE	SCREW	VIS	SCHRAUBE	
305	12728689/0	2	VITE	SCREW	VIS	SCHRAUBE	
306	22131750/0	2	DADO	NUT	ECROU	MUTTER	
308	81003306/0	2	LEVA REGOLAZIONE ALTEZZA	LEVER, HEIGHT ADJUSTMENT	LEVIER REGLAGE HAUTEUR	HEBEL, HÖNEVERSTELLUNG	
309	22600096/0	2	PROT. RUOTE	PROTECTION, WHEEL	PROTECTION ROUE	SCHÜTZ, RÄDER	
310	22524324/0	2	PERNO	PIN	PIVOT	BOLZEN	
311	25670011/0	2	ROSETTA	WASHER	RONDELLE	SCHEIBE	



Pos.	Code	Q.ty	Descrizione	Description	Description	Beschreibung	Remarks
313	22686091/1	2	RUOTA Ø 165	WHEEL Ø 165	ROUE Ø 165	RAD Ø 165	
314	22524341/0	2	PERNO	PIN	PIVOT	BOLZEN	
315	22110395/0	2	COPRIMOZZO GRIGIO	HUB CAP GREY	COUVRE-MOYEU GRIS	RADKAPPE GRAU	
317	81003303/0	1	LEVA REGOLAZIONE ALTEZZA	LEVER, HEIGHT ADJUSTMENT	LEVIER REGLAGE HAUTEUR	HEBEL, HÖHNERSTELLUNG	
318	22600106/1	2	PROT. RUOTE	PROTECTION, WHEEL	PROTECTION ROUE	SCHÜTZ, RÄDER	
321	22686093/0	2	RUOTA Ø 190	WHEEL Ø 190	ROUE Ø190	RAD Ø 190	
322	12523050/0	2	ROSETTA	WASHER	RONDELLE	SCHEIBE	
323	12735599/0	2	VITE	SCREW	VIS	SCHRAUBE	
324	22110314/0	2	COPRIMOZZO GRIGIO	HUB CAP GREY	COUVRE-MOYEU GRIS	RADKAPPE GRAU	
325	22675100/0	4	ROSETTA	WASHER	RONDELLE	SCHEIBE	
326	22122201/0	4	CUSCINETTO	BEARING	COUSSINET	LAGER	
327	22122200/0	4	CUSCINETTO	BEARING	COUSSINET	LAGER	
328	22170622/0	2	DISTANZIALE	SPACER	ENTRETOISE	DISTANZRING	
329	22120109/0	2	RUOTA DENTATA	SPROCKET	COURONNE	ZAHNKETTENRA	

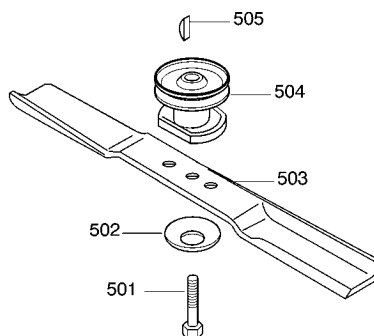
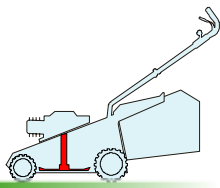


Pos.	Code	Q.ty	Descrizione	Description	Description	Beschreibung	Remarks
401	22033393/0	1	ASSE RUOTE POSTERIORE	AXLE, REAR WHEELS	AXE ROUES ARRIERE	ACHSE, HINTERRAD	
402	81003078/0	1	GRUPPO TRAZIONE	GEAR BOX	GROUPE TRACTION	ANTRIEB	
405	22450432/0	1	MOLLA	SPRING	RESSORT	FEDER	
406	22753001/0	2	SPINA	PIN	GOUPILLE	STIFT	
407	22122200/0	2	CUSCINETTO	BEARING	COUSSINET	LAGER	
408	12622620/0	2	SPINA	PIN	GOUPILLE	STIFT	
410	22076645/0	2	CHIAVE	KEY	CLEF	SCHLÜSSEL	
411	22570125/0	2	PIGNONE	PINION	PIGNON	RITZEL	
412	22160520/0	4	DISCO PARAPOLVERE	DUST COVER	PROTEGE-POUSSIÈRE	STAUBSCHUTTSCHIBE	
413	12608520/0	2	SEEGER	SEEGER	SEEGER	SEEGER	
414	35064000/0	1	CINGHIA	BELT	COURROIRE	RIEMEN	
415	22601912/0	1	PULEGGIA	PULLEY	POULIE	RIEMENSCHIBE	
416	12645705/0	1	SPINA	PIN	GOUPILLE	STIFT	



5

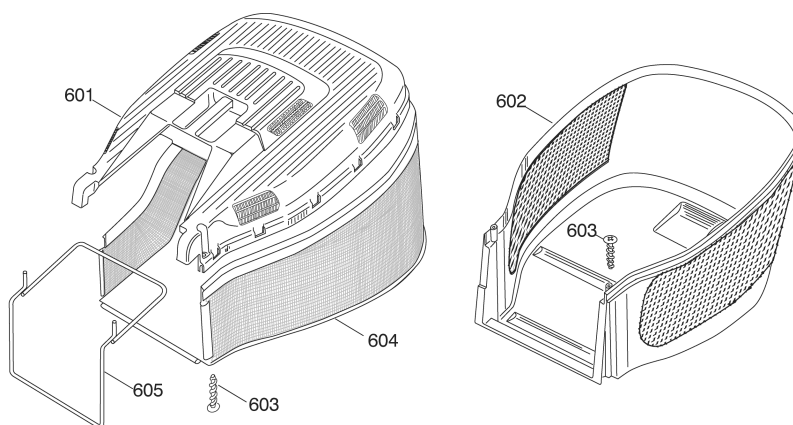
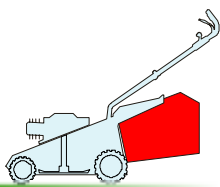
06D_039



Pos.	Code	Q.ty	Descrizione	Description	Description	Beschreibung	Remarks
501	12735698/0	1	VITE	SCREW	VIS	SCHRAUBE	
502	12369600/0	1	DISCO	COVER	DISQUE	SCHEIBE	
503	81004121/0	1	COLTELLO	BLADE	LAME	MESSER	
504	81003381/0	1	MOZZO	HUB	MOYEU	HALTER	
505	12139100/0	1	LINGUETTA	FEATHER	CLAVETTE	KEIL	

6

06D_015



Pos.	Code	Q.ty	Descrizione	Description	Description	Beschreibung	Remarks
601	22486122/0	1	PARTE SUP.SACCO	GRASSBOX UPPER PART	SAC, PARTIE SUPERIEURE	KORB OBERTEIL	
602	22486128/0	1	PARTE INFER. SACCO	GRASSBOX LOWER PART	SAC, PARTIE INFERIEURE	KORB UNTERTEIL	
603	12728686/0	2	VITE	SCREW	VIS	SCHRAUBE	
604	81002229/0	1	SACCO, TELA	BOX, FABRIC	SAC, TOILE	SACK, TUCK	
605	81006419/0	1	TELAIO SACCO	CHASSIS BOX	CHÂSSIS BAC	RAHMEN SACK	