

Pos.	Code	Q.ty	Descrizione	Description	Description	Beshreibung	Remarks
1	81001552/1	1	CHASSIS GIALLO	DECK YELLOW	CHÂSSIS JAUNE	GEHÄUSE GELB	
-	81001551/1	1	CHASSIS ROSSO	DECK RED	CHÂSSIS ROUGE	GEHÄUSE ROT	
-	81001604/0	1	CHASSIS VERDE	DECK GREEN	CHÂSSIS VERT	GEHÄUSE GRÜN	
3	12793701/0	3	VITE	SCREW	VIS	SCHRAUBE	
4	12293201/0	3	DADO	NUT	ECROU	MUTTER	
10	12793700/0	2	VITE	SCREW	VIS	SCHRAUBE	
11	22399900/0	4	MANOPOLINA	KNOB	POIGNÉE	GRIFF	
12	12293200/0	4	DADO	NUT	ECROU	MUTTER	
13	12792610/0	2	VITE	SCREW	VIS	SCHRAUBE	
14	12155000/0	2	DADO	NUT	ECROU	MUTTER	
15	81006978/0	1	MANICO, PARTE INF	HANDLE, LOWER PART	MANCHERON, PARTIE INFÉRIEURE	HOLM, UNTERTEIL	
16	81007018/1	1	MANICO, PARTE SUP	HANDLE, UPPER PART	MANCHERON, PARTIE SUPÉRIEURE	HOLM, OBERTEIL	
17	12819201/0	1	VITE	SCREW	VIS	SCHRAUBE	
18	22680006/1	2	ROSETTA	WASHER	RONDELLE	SCHEIBE	
19	81003801/1	1	MOLLA GUIDA	GUIDE SPRING	RESSORT DE GUIDE	FEDER FÜHRER	
20	22291052/0	1	IMPUGNATURA MANICO GIALLA	HANDGRIP YELLOW	POIGNÉE JAUNE	HANDGRIFF GELBER	

## GLOBAL GARDEN PRODUCTS

Pos.	Code	Q.ty	Descrizione	Description	Description	Beshreibung	Remarks
20	22291050/0	1	IMPUGNATURA MANICO NERA	HANDGRIP BLACK	POIGNÉE NOIRE	HANDGRIFF SCHWARZER	
-	22291051/0	1	IMPUGNATURA MANICO ROSSA	HANDGRIP RED	POIGNÉE ROUGE	HANDGRIFF RÖTER	
21	81003291/2	1	LEVA FRENO MOTORE	LEVER, MOTOR BRAKE	LEVIER FREIN MOTEUR	HEBEL, MOTORBREMSE	
22	22041966/0	2	BUSSOLA	BUSH	DOUILLE	BUCHSE	
49	22483330/1	1	PARASASSI	STONE-GUARD	PARE-PIERRES	PRALLBLECH	
50	12791200/0	2	VITE	SCREW	VIS	SCHRAUBE	
51	12582100/0	2	GROWER	GROWER	GROWER	FEDERRING	
51A	12523040/0	2	ROSETTA	WASHER	RONDELLE	SCHEIBE	
52	12292100/0	2	DADO	NUT	ECROU	MUTTER	
71	22120152/0	1	CRUSCOTTO GIALLO	DASH BOARD YELLOW	CONSOLE JAUNE	KONSOLE GELBE	
-	22120158/0	1	CRUSCOTTO NERO	DASH BOARD BLACK	CONSOLE NOIRE	KONSOLE SCHWARZE	
-	22120154/0	1	CRUSCOTTO ROSSO	DASH BOARD RED	CONSOLE ROUGE	KONSOLE ROTE	
72	22943006/0	1	VITE	SCREW	VIS	SCHRAUBE	
73	12728460/0	1	VITE	SCREW	VIS	SCHRAUBE	
75	81007280/2	1	LEVA, ACCELERATORE	LEVER, THROTTLE	LEVIER, ACCELERATEUR	HEBEL, BESHLEUNIGER	
76	12791500/0	1	VITE	SCREW	VIS	SCHRAUBE	
77	12530060/0	2	ROSETTA ELASTICA	SPRING WASHER	RONDELLE ELASTIQUE	ELASTISCHE SCHEIBE	
78	12523040/0	1	ROSETTA	WASHER	RONDELLE	SCHEIBE	
79	12154510/0	1	DADO	NUT	ECROU	MUTTER	
80	22981467/0	2	PIASTRINA	PLATE	PLAQUETTE	PLÄTTCHEN	
81	12735105/0	1	VITE	SCREW	VIS	SCHRAUBE	
82	22806612/0	1	SUPPORTO	SUPPORT	SUPPORT	HALTER	
83	12728518/0	1	VITE	SCREW	VIS	SCHRAUBE	
84	81007160/0	1	CAVO ACCELERATORE	CABLE, TROTTLE	CABLE, ACCELERATEUR	KABLE, BESCHLEUNIGER	
85	81000621/1	1	CAVO FRENO MOTORE	CABLE, THREAD MOTOR BRAKE	CABLE FREIN MOTEUR	KABEL, MOTORBREMSE	(B&S CLASSIC/SPRINT)
-	81000629/1	1	CAVO FRENO MOTORE	CABLE, THREAD MOTOR BRAKE	CABLE FREIN MOTEUR	KABEL, MOTORBREMSE	(TECUMSEH)
86	14356744/0	1	ETICHETTA	LABEL	ETIQUETTE	ETIKETTE	(B&S)
-	14356743/0	1	ETICHETTA	LABEL	ETIQUETTE	ETIKETTE	(HONDA)
-	14357646/0	1	ETICHETTA	LABEL	ETIQUETTE	ETIKETTE	(TECUMSEH)
87	81008609/0	1	DOTAZIONE VITERIA CRUSCOTTO	OUTFIT, DASH-BOARD SCREWS	DOTATION VISSERIE CONSOLLE	SATZ, KONSOLE SCHRAUBEN	
88	81008616/1	1	DOTAZIONE VITERIA	OUTFIT, SCREWS	DOTATION VISSERIE	SATZ, SCHRAUBEN	
101	12691800/0	4	VITE	SCREW	VIS	SCHRAUBE	
102	12523060/0	12	ROSETTA	WASHER	RONDELLE	SCHEIBE	
103	22869650/0	4	TUBO PER RUOTA	WHEEL TUBE	TUBE POUR ROUE	ROHR FÜR RAD	
104	22172420/0	4	DISTANZIALE	SPACER	ENTRETOISE	DISTANZRING	
105	12583500/0	4	GROWER	GROWER	GROWER	FEDERRING	
106	12293200/0	4	DADO	NUT	ECROU	MUTTER	

## VARIANTE MANICO - HANDLE MODIFICATION - MODIFICATION POIGNEE - ÄNDERUNGEN GRIFFENSTEEL

Pos.	Code	Q.ty	Descrizione	Description	Description	Beshreibung	Remarks
171	81006547/0	1	MANICO, PARTE SUP	HANDLE, UPPER PART	MANCHERON, PARTIE SUPERIEURE	HOLM, OBERTEIL	
172	12645710/0	1	SPINA	PIN	GOUPILLE	STIFT	
173	22321700/0	1	LEVA FRENO MOTORE	LEVER, MOTOR BRAKE	LEVIER FREIN MOTEUR	HEBEL, MOTORBREMSE	
174	81000652/0	1	CAVO FRENO MOTORE	CABLE, THREAD MOTOR BRAKE	CABLE FREIN MOTEUR	KABEL, MOTORBREMSE	(B&S)
-	81000715/0	1	CAVO FRENO MOTORE	CABLE, THREAD MOTOR BRAKE	CABLE FREIN MOTEUR	KABEL, MOTORBREMSE	(SUMEC)
-	81000651/0	1	CAVO FRENO MOTORE	CABLE, THREAD MOTOR BRAKE	CABLE FREIN MOTEUR	KABEL, MOTORBREMSE	(TECUMSEH)

## VARIANTE ACCELERATORE - THROTTLE MODIFICATION - MODIFICATION COMMANDE D'ACCELERATION - ÄNDERUNGEN AUF GASHEBEL

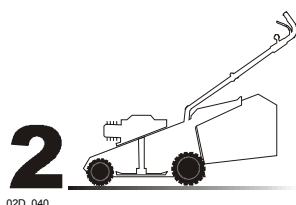
Pos.	Code	Q.ty	Descrizione	Description	Description	Beshreibung	Remarks
201	81007080/0	1	CAVO ACCELERATORE	CABLE, TROTTLE	CABLE, ACCELERATEUR	KABLE, BESCHLEUNIGER	
202	81007279/1	1	LEVA, ACCELERATORE	LEVER, THROTTLE	LEVIER, ACCELERATEUR	HEBEL, BESHLEUNIGER	
204	12815000/0	1	VITE	SCREW	VIS	SCHRAUBE	



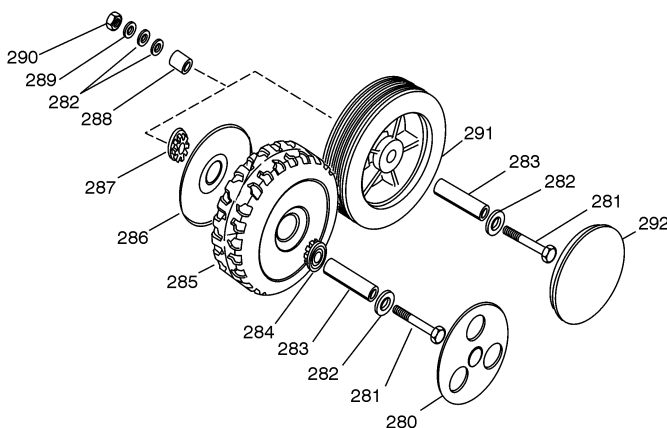
Pos.	Code	Q.ty	Descrizione	Description	Description	Beshreibung	Remarks
205	12508100/0	1	ROSETTA ELASTICA	SPRING WASHER	RONDELLE ELASTIQUE	ELASTISCHE SCHEIBE	
206	12521360/0	2	ROSETTA	WASHER	RONDELLE	SCHEIBE	
207	22171005/0	1	DISTANZIALE	SPACER	ENTRETOISE	DISTANZRING	
208	12581500/0	1	GROWER	GROWER	GROWER	FEDERRING	
209	12291000/0	1	DADO	NUT	ECROU	MUTTER	
210	14356703/0	1	ETICHETTA	LABEL	ETIQUETTE	ETIKETTE	(B&S)
-	14356702/0	1	ETICHETTA	LABEL	ETIQUETTE	ETIKETTE	(HONDA)
-	14360197/0	1	ETICHETTA	LABEL	ETIQUETTE	ETIKETTE	(SUMEC)
-	14356905/0	1	ETICHETTA	LABEL	ETIQUETTE	ETIKETTE	(TECUMSEH)

VARIANTE REGIME FISSO - FIXED SPEED MODIFICATION - MODIFICATION POUR MODÈLE À REGIME FIXE - ÄNDERUNGEN FÜR MODELLE MIT FESTEN DRENZAHL

Pos.	Code	Q.ty	Descrizione	Description	Description	Beshreibung	Remarks
251	22601000/0	1	PROTEZIONE	PROTECTION	PROTECTION	SCHUTZ	



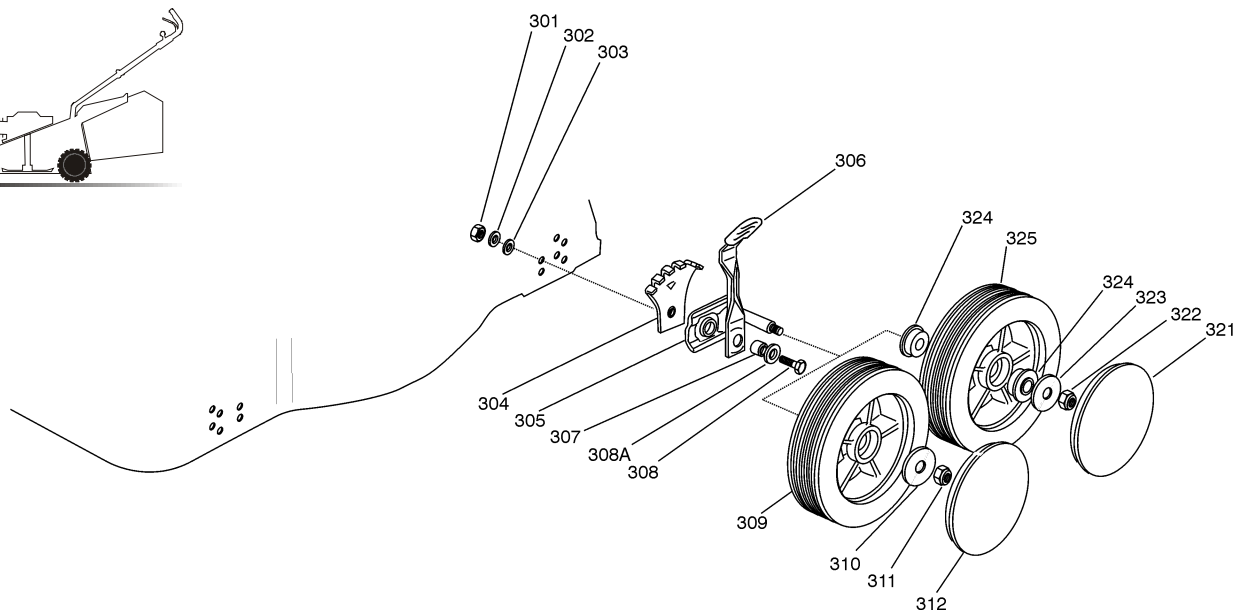
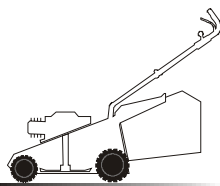
02D\_040



Pos.	Code	Q.ty	Descrizione	Description	Description	Beshreibung	Remarks
280	22110322/0	4	COPRIMOZZO BIANCO	HUB CAP WHITE	COUVRE-MOYEU BLANC	RADKAPPE WEIßE	ø 175
281	12691800/0	4	VITE	SCREW	VIS	SCHRAUBE	
282	12523060/0	12	ROSETTA	WASHER	RONDELLE	SCHEIBE	
283	22869650/0	4	TUBO PER RUOTA	WHEEL TUBE	TUBE POUR ROUE	ROHR FÜR RAD	
284	22034510/0	4	BUSSOLA	BUSH	DOUILLE	BUCHSE	
285	81007346/0	4	RUOTA Ø 165	WHEEL Ø 165	ROUE Ø 165	RAD Ø 165	
286	22600095/0	4	PROTEZIONE	PROTECTION	PROTECTION	SCHUTZ	
287	22034509/0	4	BUSSOLA	BUSH	DOUILLE	BUCHSE	
288	22172420/0	4	DISTANZIALE	SPACER	ENTRETOISE	DISTANZRING	
289	12583500/0	4	GROWER	GROWER	GROWER	FEDERRING	
290	12293200/0	4	DADO	NUT	ECROU	MUTTER	
291	81007325/0	4	RUOTA Ø 170	WHEEL Ø 170	ROUE Ø 170	RAD. Ø 170	
292	22110262/0	4	COPRIMOZZO BIANCO	HUB CAP WHITE	COUVRE-MOYEU BLANC	RADKAPPE WEIßE	
-	22110263/0	4	COPRIMOZZO GIALLO	HUB CAP YELLOW	COUVRE-MOYEU JAUNE	RADKAPPE GELBE	
-	22110264/0	4	COPRIMOZZO ROSSO	HUB CAP RED	COUVRE-MOYEU ROUGE	RADKAPPE ROTE	

2

02D\_001



VARIANTI RUOTE Ø 170 SU BOCCOLE - WHEEL Ø 170 MODIFICATIONS ON BUSHES - MODIFICATIONS ROUES Ø 170 SUR DOUILLES - ÄNDERUNGEN AUF RÄDER Ø 170 MIT BÜCHSE

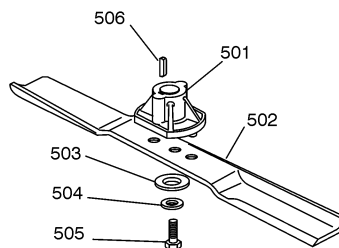
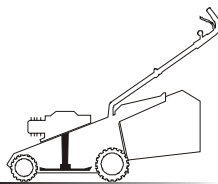
Pos.	Code	Q.ty	Descrizione	Description	Description	Beshreibung	Remarks
321	22110262/0	4	COPRIMOZZO BIANCO	HUB CAP WHITE	COUVRE-MOYEU BLANC	RADKAPPE WEIßE	
-	22110263/0	4	COPRIMOZZO GIALLO	HUB CAP YELLOW	COUVRE-MOYEU JAUNE	RADKAPPE GELBE	
-	22110264/0	4	COPRIMOZZO ROSSO	HUB CAP RED	COUVRE-MOYEU ROUGE	RADKAPPE ROTE	
322	12155000/0	4	DADO	NUT	ECROU	MUTTER	
323	12523060/0	4	ROSETTA	WASHER	RONDELLE	SCHEIBE	
324	22034508/0	8	BUSSOLA	BUSH	DOUILLE	BÜCHSE	
325	81007326/0	4	RUOTA Ø 170	WHEEL Ø 170	ROUE Ø 170	RAD. Ø 170	

VARIANTI RUOTE - WHEEL MODIFICATIONS - MODIFICATIONS ROUESILLES - ÄNDERUNGEN AUF RÄDER

Pos.	Code	Q.ty	Descrizione	Description	Description	Beshreibung	Remarks
301	12293200/0	4	DADO	NUT	ECROU	MUTTER	
302	12583500/0	4	GROWER	GROWER	GROWER	FEDERRING	
303	12523070/0	4	ROSETTA	WASHER	RONDELLE	SCHEIBE	
304	22735547/0	4	SETTORE REGOLAZIONE ALTEZZA	SECTOR, HEIGHT ADJUSTMENT	SECTEUR REGLAGE HAUTEUR	SEKTOR, HÖHEVERSTELLUNG	
305	81005082/0	4	SUPPORTO RUOTA	SUPPORT, WHEEL	SUPPORT ROUE	HALTER, RAD	
306	81003285/1	4	LEVA REGOLAZIONE ALTEZZA	LEVER, HEIGHT ADJUSTMENT	LEVIER REGLAGE HAUTEUR	HEBEL, HÖNEVERSTELLUNG	
307	22171001/0	4	DISTANZIALE	SPACER	ENTRETOISE	DISTANZRING	
308	12793701/0	4	VITE	SCREW	VIS	SCHRAUBE	
308A	12521350/0	4	ROSETTA	WASHER	RONDELLE	SCHEIBE	
309	81007325/0	4	RUOTA Ø 170	WHEEL Ø 170	ROUE Ø 170	RAD. Ø 170	
310	12523060/0	4	ROSETTA	WASHER	RONDELLE	SCHEIBE	
311	12293201/0	4	DADO	NUT	ECROU	MUTTER	
312	22110262/0	4	COPRIMOZZO BIANCO	HUB CAP WHITE	COUVRE-MOYEU BLANC	RADKAPPE WEIßE	
313	22110263/0	4	COPRIMOZZO GIALLO	HUB CAP YELLOW	COUVRE-MOYEU JAUNE	RADKAPPE GELBE	
314	22110264/0	4	COPRIMOZZO ROSSO	HUB CAP RED	COUVRE-MOYEU ROUGE	RADKAPPE ROTE	

5

05D\_002



Pos.	Code	Q.ty	Descrizione	Description	Description	Beshreibung	Remarks
501	22463015/0	1	MOZZO	HUB	MOYEU	HALTER	
502	81004346/3	1	COLTELLO STANDARD	BLADE STANDARD	LAME STANDARD	MESSER STANDARD	
503	22160400/0	1	DISCO ELASTICO	ELASTIC WASHER	DISQUE ELASTIQUE	FEDERSCHEIBE	
504	12523080/0	1	ROSETTA	WASHER	RONDELLE	SCHEIBE	
505	12735694/0	1	VITE	SCREW	VIS	SCHRAUBE	
506	12139100/0	1	LINGUETTA	FEATHER	CLAVETTE	KEIL	