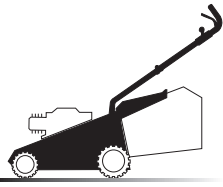
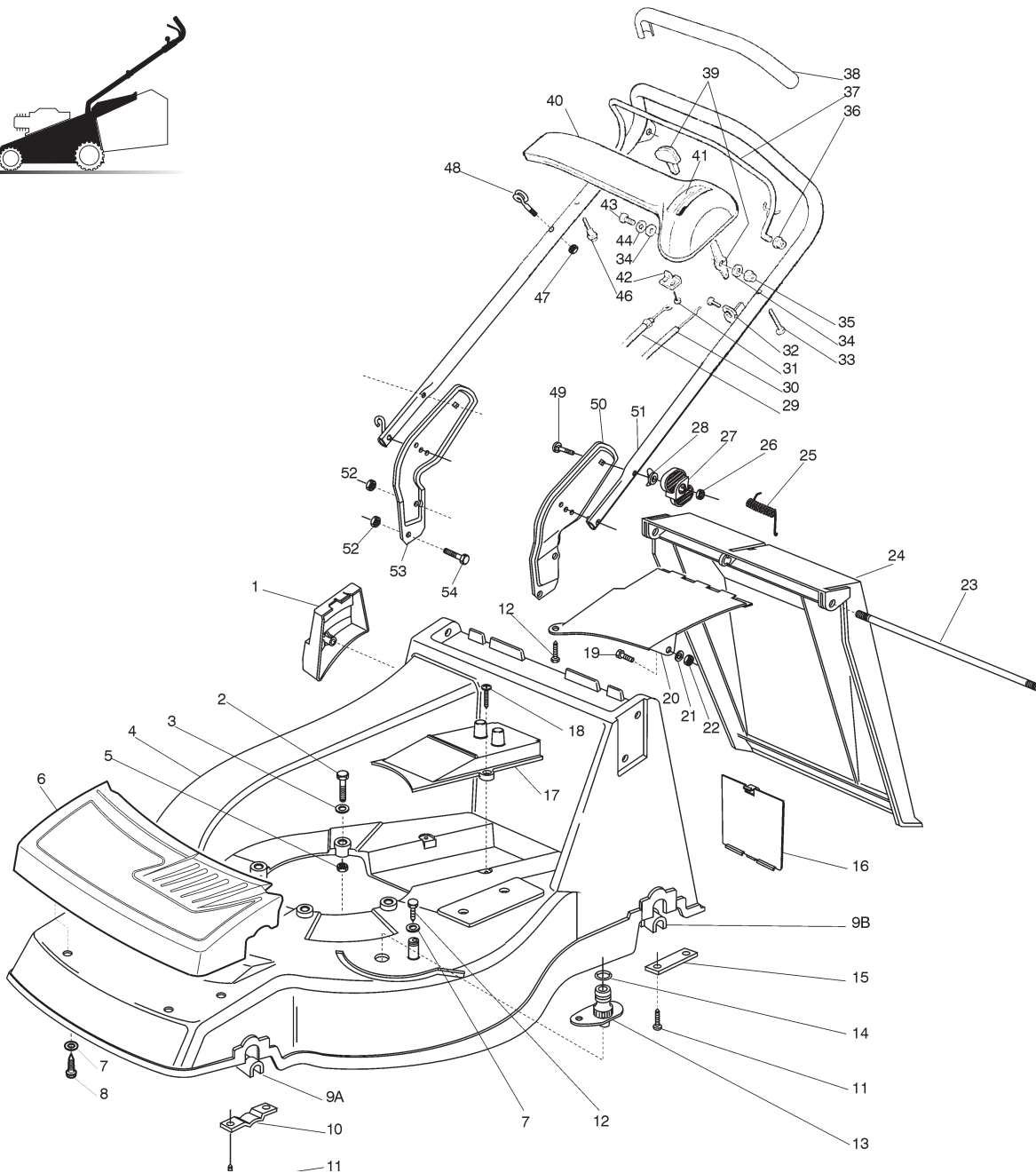


# 1



01D.044



- H 350
- K 350
- K 390
- C 350
- C 390
- NG 410 / 410 S
- NG 460
- NG 414
- NG 464
- NG 464 TR
- NG 464 TR-E
- NG 504
- NG 504 TR
- NG 504 TR-E
- R 430 / 430 S
- R 480
- R 430 TR
- R 434
- R 484
- R 534
- R 484 TR / TR-E
- R 534 TR / TR-E
- RL 430 / 430 S
- RL 480
- RL 430 TR
- RL 434
- RL 484
- RL 534
- RL 484 TR
- RL 484 TR-E
- RL 534 TR
- RL 534 TR-E
- TD 430 / 430 S
- TD 480
- TD 430 TR
- TD 434
- TD 484
- TD 534
- TD 484 TR
- TD 484 TR-E
- TD 534 TR
- TD 534 TR-E
- TDL 430 / 430 S
- TDL 480
- TDL 430 TR
- TDL 434
- TDL 484
- TDL 534
- TDL 484 TR
- TDL 484 TR-E
- TDL 534 TR
- TDL 534 TR-E
- CA 430
- CA 480
- CA 434
- CA 484
- CA 534
- CA 430 TR
- CA 434 TR
- CA 484 TR / TR-E
- CA 534 TR / TR-E
- CAL 430
- CAL 480
- CAL 434
- CAL 484
- CAL 534
- CAL 430 TR
- CAL 434 TR
- CAL 484 TR / TR-E
- CAL 534 TR / TR-E
- T 430 / 430 S
- T 480
- T 434
- T 484
- T 484 TR
- T 484 TR-E
- PAN 504
- PAN 504 TR
- PAN 504 TR-E
- PAN 504 TR-E 3S
- PAN 504 TR 3S
- NP 534
- NP 534 TR
- NP 534 TR-E
- NP 534 TR 3S
- NP 534 TR-E 3S
- S 474 L

01T.044

Pos	Code	Q.ty	Descrizione	Description	Description	Beschreibung
1	22601001/ 0	4	PROTEZIONE	PROTECTION	PROTECTION	SCHUTZ
2	12692080/ 0	0/ 1	VITE	SCREW	VIS	SCHRAUBE
-	12691800/ 0	3/ 2	VITE (M8X60)	SCREW (M8X60)	VIS (M8X60)	SCHRAUBE (M8X60)
3	12521350/ 0	3	RONDELLA	WASHER	RONDELLE	SCHEIBE
4	81001652/ 0	1	CHASSIS ROSSO	DECK RED	CHÂSSIS ROUGE	GEHÄUSE ROTES
-	81001654/ 0	1	CHASSIS GIALLO	DECK YELLOW	CHÂSSIS JAUNE	GEHÄUSE GELBES
-	81001656/ 0	1	CHASSIS VERDE	DECK GREEN	CHÂSSIS VERT	GEHÄUSE GRÜNES
-	81001843/ 0	1	CHASSIS ROSSO CON FORI PER MASCHERINA	DECK RED WITH HOLES FOR HALF-MASK	CHÂSSIS ROUGE AVEC TROUS POUR LOUP	GEHÄUSE ROT MIT LOCHEN FÜR KLEINE MASKE
-	81001844/ 0	1	CHASSIS GIALLO CON FORI PER MASCHERINA	DECK YELLOW WITH HOLES FOR HALF-MASK	CHÂSSIS JAUNE AVEC TROUS POUR LOUP	GEHÄUSE GELB MIT LOCHEN FÜR KLEINE MASKE
-	81001845/ 0	1	CHASSIS VERDE CON FORI PER MASCHERINA	DECK GREEN WITH HOLES FOR HALF-MASK	CHÂSSIS VERT AVEC TROUS POUR LOUP	GEHÄUSE GRÜN MIT LOCHEN FÜR KLEINE MASKE
5	12155000/ 0	3	DADO	NUT	ECROU	MUTTER
6	22226050/ 0	1	MASCHERINA	MASK	MESQUE	MASKE
7	12523040/ 0	6	RONDELLA	WASHER	RONDELLE	SCHEIBE
8	12735402/ 0	4	VITE	SCREW	VIS	SCHRAUBE
9A	22038400/ 1	2	BRONZINA	BRASS	DOUILLE	BUCHSE
9B	22038399/ 0	2	BRONZINA	BRASS	DOUILLE	BUCHSE
10	22545156/ 0	1	PIASTRINA	PLATE	PLAQUETTE	PLATTE
11	12731350/ 0	2	VITE	SCREW	VIS	SCHRAUBE
12	12729600/ 0	2	VITE	SCREW	VIS	SCHRAUBE
13	22034000/ 0	1	ATTACCO ACQUA LAVAGGIO	WASHING CONNECTION	ATTAQUE LAVAGE	WASCHENVERBINDUNG
14	19035000/ 0	1	ANELLO OR	OR RING	BAGUE OR	RING OR
15	22545142/ 0	8	PIASTRINA	PLATE	PLAQUETTE	PLATTE
16	22595352/ 0	1	PORTINA CHIUSURA	INSPECTION DOOR	VOYANT DE VISITE	ABDECKPLATTE

# 1

# 2

# 3

# 4

# 5

# 6

17	22060181/ 1	1	CARTER CINGHIA	PROTECTION, BELT	PROTECTION COURROIRE	SCHUTZ, RIEMEN	H 350
18	12728522/ 0	2	VITE	SCREW	VIS	SCHRAUBE	K 350
19	12789000/ 0	1	VITE	SCREW	VIS	SCHRAUBE	K 390
20	22108205/ 0	1	CONVOGLIATORE	CONVEYOR	CONVOYEUR	KONVEYOR	C 350
21	12523020/ 0	2	RONDELLA	WASHER	RONDELLE	SCHEIBE	C 390
22	12154330/ 0	1	DADO	NUT	ECROU	MUTTER	NG 410 / 410 S
23	22517856/ 0	1	PERNO	PIN	PIVOT	BOLZEN	NG 460
24	22600023/ 2	1	PARASASSI	STONE-GUARD	PARE-PIERRES	PRALLBLECH	NG 414
25	22450270/ 0	1	MOLLA	SPRING	RESSORT	FEDER	NG 464
26	12293200/ 0	2	DADO	NUT	ECROU	MUTTER	NG 464 TR
27	22399803/ 0	2	MANOPOLINA	KNOB	POIGNÉE	GRIFF	NG 464 TR-E
28	22680006/ 1	2	RONDELLA	WASHER	RONDELLE	SCHEIBE	NG 504
29	81000634/ 0	1	CAVO FRENO MOTORE	CABLE, THREAD MOTOR BRAKE	CABLE FREIN MOTEUR	KABEL, MOTORBREMSE (B&S)	NG 504 TR
-	81000628/ 0	1	CAVO FRENO MOTORE	CABLE, THREAD MOTOR BRAKE	CABLE FREIN MOTEUR	KABEL, MOTORBREMSE (HONDA)	NG 504 TR-E
-	81000629/ 1	1	CAVO FRENO MOTORE	CABLE, THREAD MOTOR BRAKE	CABLE FREIN MOTEUR	KABEL, MOTORBREMSE (TECUMSEH)	R 430 / 430 S
30	81007160/ 0	1	CAVO ACCELERATORE	CABLE, TROTTLE	CABLE, ACCELERATEUR	KABE, BESCHLEUNIGER (B&S)	R 480
-	81007160/ 0	1	CAVO ACCELERATORE	CABLE, TROTTLE	CABLE, ACCELERATEUR	KABE, BESCHLEUNIGER (TECUMSEH-HONDA)	R 430 TR
31	12735105/ 0	2	VITE	SCREW	VIS	SCHRAUBE	R 434
32	22806612/ 0	1	SUPPORTO	SUPPORT	SUPPORT	HALTER	R 484
33	12728460/ 0	1	VITE	SCREW	VIS	SCHRAUBE	R 534
34	12523040/ 0	2	RONDELLA	WASHER	RONDELLE	SCHEIBE	R 484 TR / TR-E
35	12154510/ 0	2	DADO	NUT	ECROU	MUTTER	R 534 TR / TR-E
36	22041966/ 0	2	BUSSOLA	BUSH	DOUILLE	BUCHSE	RL 430 / 430 S
37	81003291/ 2	1	LEVA FRENO MOTORE	LEVER, MOTOR BRAKE	LEVIER FREIN MOTEUR	HEBEL, MOTORBREMSE	RL 480
38	22291050/ 0	1	IMPUGNATURA MANICO NERA	HANDGRIP BLACK	POIGNÉE NOIRE	HANDGRIFF SCHWARZER	RL 430 TR
-	22291051/ 0	1	IMPUGNATURA MANICO ROSSA	HANDGRIP RED	POIGNÉE ROUGE	HANDGRIFF RÖTER	RL 434
-	22291052/ 0	1	IMPUGNATURA MANICO GIALLA	HANDGRIP YELLOW	POIGNÉE JAUNE	HANDGRIFF GELBER	RL 484
39	81007280/ 1	1	ASS. LEVA + MANOPOLINA	KNOB	POIGNÉE	GRIFF	RL 534
40	22120158/ 0	1	CRUSCOTTO NERO	DASH-BOARD BLACK	CONSOLE NOIRE	KONSOLE SCHWARZE	RL 484 TR
-	22120154/ 0	1	CRUSCOTTO ROSSO	DASH-BOARD RED	CONSOLE ROUGE	KONSOLE ROTE	RL 484 TR-E
-	22120152/ 0	1	CRUSCOTTO GIALLO	DASH-BOARD YELLOW	CONSOLE JAUNE	KONSOLE GELBE	RL 534 TR
41	14356744/ 0	1	ETICHETTA	LABEL	ETIQUETTE	ETIKETTE (B&S)	RL 534 TR-E
41	14356743/ 0	1	ETICHETTA	LABEL	ETIQUETTE	ETIKETTE (TECUMSEN-HONDA)	TD 430 / 430 S
42	12728518/ 0	1	VITE	SCREW	VIS	SCHRAUBE	TD 480
43	12791500/ 0	1	VITE	SCREW	VIS	SCHRAUBE	TD 430 TR
44	12530060/ 0	1	RONDELLA	WASHER	RONDELLE	SCHEIBE	TD 434
45	22981467/ 0	1	PIASTRINA	PLATE	PLAQUETTE	PLATTE	TD 484
46	22943006/ 0	1	VITE	SCREW	VIS	SCHRAUBE	TD 534
47	12154330/ 0	1	DADO	NUT	ECROU	MUTTER	TD 484 TR
48	22430309/ 0	1	MOLLA GUIDA	GUIDE SPRING	RESSORT DE GUIDE	FEDER FÜHRER	TD 484 TR-E
49	12819120/ 0	2	VITE	SCREW	VIS	SCHRAUBE	TD 534 TR
50	22778397/ 0	1	STAFFA SX	BRACKET, LEFT	BRIDE GAUCHE	PRATZE, LINKE	TD 534 TR-E
51	81006859/ 0	1	MANICO, PARTE SUPERIORE	HANDLE, UPPER PART	MANCHERON, PARTIE SUPERIEURE	HOLM, OBERTEIL	TDL 430 / 430 S
52	12155000/ 0	1	DADO	NUT	ECROU	MUTTER	TDL 480
53	22778396/ 0	2	STAFFA DX	BRACKET, RIGHT	BRIDE DROITE	PRATZE, RECHTE	TDL 430 TR
54	12793301/ 0	1	VITE	SCREW	VIS	SCHRAUBE	TDL 434
-	81008610/ 0	1	DOTAZIONE VITERIA	OUTFIT, SCREWS	DOTATION VISSERIE	SATZ, SCHRAUBEN	TDL 484
-	81008609/ 0	1	DOTAZ. VITERIA CRUSCOTTO	OUTFIT, DASH-BOARD SCREWS	DOTATION VISSERIE CONSOLLE	SATZ, KONSOLE SCHRAUBEN	TDL 484 TR
							TDL 484 TR-E
							TDL 534 TR
							TDL 534 TR-E
							CA 430
							CA 480
							CA 434
							CA 484
							CA 534
							CA 430 TR
							CA 434 TR
							CA 484 TR / TR-E
							CA 534 TR / TR-E
							CAL 430
							CAL 480
							CAL 434
							CAL 484
							CAL 534
							CAL 430 TR
							CAL 434 TR
							CAL 484 TR / TR-E
							CAL 534 TR / TR-E
							T 430 / 430 S
							T 480
							T 434
							T 484
							T 484 TR
							T 484 TR-E
							PAN 504
							PAN 504 TR
							PAN 504 TR-E
							PAN 504 TR-E 3S
							PAN 504 TR 3S
							NP 534
							NP 534 TR
							NP 534 TR-E
							NP 534 TR 3S
							NP 534 TR-E 3S
							S 474 L

1

2

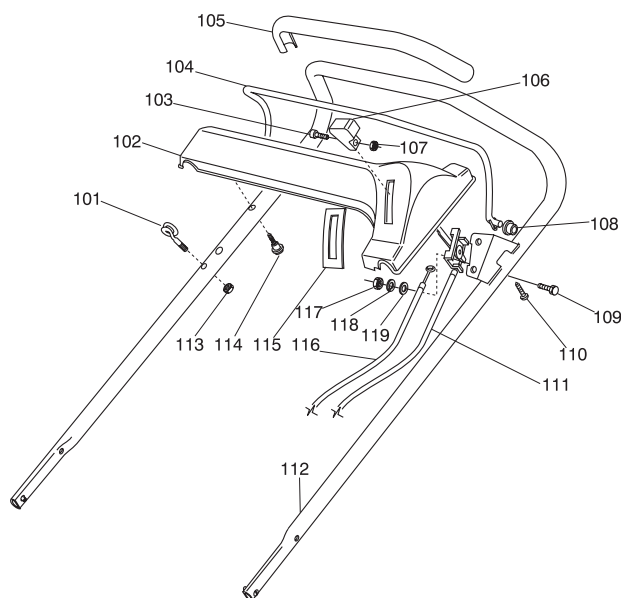
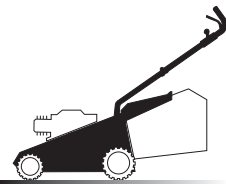
3

4

5

6

1



01D.051

01T.051

VARIANTE MANICO - HANDLE VARIANTE MANCHERON - HANDLE VARIANTE

Pos	Code	Q.ty	Descrizione	Description	Description	Beschreibung	
101	22430309/ 0	1	MOLLA GUIDA	GUIDE SPRING	RESSORT DE GUIDE	FEDER FÜHRER	
102	22120148/ 0	1	CRUSCOTTO GIALLO	DASH-BOARD YELLOW	CONSOLE JAUNE	KONSOLE GELBE	
-	22120150/ 0	1	CRUSCOTTO ROSSO	DASH-BOARD RED	CONSOLE ROUGE	KONSOLE ROTE	
-	22120164/ 0	1	CRUSCOTTO NERO	DASH-BOARD BLACK	CONSOLE NOIRE	KONSOLE SCHWARZE	
103	12726388/ 0	1	VITE	SCREW	VIS	SCHRAUBE	
104	81003291/ 2	1	LEVA FRENO MOTORE	LEVER, MOTOR BRAKE	LEVIER FREIN MOTEUR	HEBEL, MOTORBREMSE	
105	22291052/ 0	1	IMPUGNATURA MANICO GIALLA	HANDGRIP YELLOW	POIGNÉE JAUNE	HANDGRIFF GELBER	
-	22291051/ 0	1	IMPUGNATURA MANICO ROSSA	HANDGRIP RED	POIGNÉE ROUGE	HANDGRIFF RÖTER	
-	22291050/ 0	1	IMPUGNATURA MANICO NERA	HANDGRIP BLACK	POIGNÉE NOIRE	HANDGRIFF SCHWARZER	
106	22399801/ 0	1	MANOPOLINA	KNOB	POIGNÉE	GRIFF	
107	12290800/ 0	1	DADO	NUT	ECROU	MUTTER	
108	22041966/ 0	2	BUSSOLA	BUSH	DOUILLE	BUCHSE	
109	12523020/ 0	2	RONDELLA	WASHER	RONDELLE	SCHEIBE	
110	12728460/ 0	1	VITE	SCREW	VIS	SCHRAUBE	
111	81007091/ 0	1	CAVO ACCELERATORE	CABLE, TROTTLE	CABLE, ACCELERATEUR	KABE, BESCHLEUNIGER	(B&S)
-	81007092/ 0	1	CAVO ACCELERATORE	CABLE, TROTTLE	CABLE, ACCELERATEUR	KABE, BESCHLEUNIGER	(TECUMSEH-HONDA)
112	81007022/ 0	1	MANICO, PARTE SUPERIORE	HANDLE, UPPER PART	MANCHERON, PARTIE SUPER	EURE	HOLM, OBERTEIL
113	12154330/ 0	1	DADO	NUT	ECROU	MUTTER	
114	22943006/ 0	1	VITE	SCREW	VIS	SCHRAUBE	
115	14356693/ 0	1	ETICHETTA	LABEL	ETIQUETTE	ETIKETTE	(B&S)
-	14356692/ 0	1	ETICHETTA	LABEL	ETIQUETTE	ETIKETTE	(TECUMSEN-HONDA)
116	81000634/ 0	1	CAVO FRENO MOTORE	CABLE, THREAD MOTOR BRAKE	CABLE FREIN MOTEUR	KABEL, MOTORBREMSE	(B&S)
-	81000628/ 0	1	CAVO FRENO MOTORE	CABLE, THREAD MOTOR BRAKE	CABLE FREIN MOTEUR	KABEL, MOTORBREMSE	(HONDA)
-	81000629/ 1	1	CAVO FRENO MOTORE	CABLE, THREAD MOTOR BRAKE	CABLE FREIN MOTEUR	KABEL, MOTORBREMSE	(TECUMSEH)
117	12291000/ 0	2	DADO	NUT	ECROU	MUTTER	
118	12581500/ 0	2	GROWER	GROWER	GROWER	FEDERRING	
119	12523020/ 0	2	RONDELLA	WASHER	RONDELLE	SCHEIBE	
150	81008499/ 1	1	DOTAZ. VITERIA CRUSCOTTO	OUTFIT, DASH-BOARD SCREWS	DOTATION VISSERIE CONSOLLE	SATZ, KONSOLLE SCHRAUBEN	

- H 350
- K 350
- K 390
- C 350
- C 390
- NG 410 / 410 S
- NG 460
- NG 414
- NG 464
- NG 464 TR
- NG 464 TR-E
- NG 504
- NG 504 TR
- NG 504 TR-E
- R 430 / 430 S
- R 480
- R 430 TR
- R 434
- R 484
- R 534
- R 484 TR / TR-E
- R 534 TR / TR-E
- RL 430 / 430 S
- RL 480
- RL 430 TR
- RL 434
- RL 484
- RL 534
- RL 484 TR
- RL 484 TR-E
- RL 534 TR
- RL 534 TR-E
- TD 430 / 430 S
- TD 480
- TD 430 TR
- TD 434
- TD 484
- TD 534
- TD 484 TR
- TD 484 TR-E
- TD 534 TR
- TD 534 TR-E
- TDL 430 / 430 S
- TDL 480
- TDL 430 TR
- TDL 434
- TDL 484
- TDL 534
- TDL 484 TR
- TDL 484 TR-E
- TDL 534 TR
- TDL 534 TR-E
- CA 430
- CA 480
- CA 434
- CA 484
- CA 534
- CA 430 TR
- CA 434 TR
- CA 484 TR / TR-E
- CA 534 TR / TR-E
- CAL 430
- CAL 480
- CAL 434
- CAL 484
- CAL 534
- CAL 430 TR
- CAL 434 TR
- CAL 484 TR / TR-E
- CAL 534 TR / TR-E
- T 430 / 430 S
- T 480
- T 434
- T 484
- T 484 TR
- T 484 TR-E
- PAN 504
- PAN 504 TR
- PAN 504 TR-E
- PAN 504 TR-E 3S
- PAN 504 TR 3S
- NP 534
- NP 534 TR
- NP 534 TR-E
- NP 534 TR 3S
- NP 534 TR-E 3S
- S 474 L

1

2

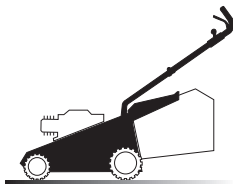
3

4

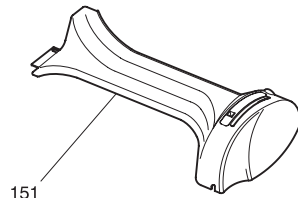
5

6

1



01D.046



01T.046

VARIANTE CRUSCOTTO - DASH BOARD VARIANT - VARIANTE CONSOLE - KONSOLEVARIANTE

Pos	Code	Q.ty	Descrizione	Description	Description	Beshreibung
151	22120172/ 0	1	CRUSCOTTO NERO	DASH-BOARD BLACK	CONSOLE NOIRE	KONSOLE SCHWARZE
-	22120173/ 0	1	CRUSCOTTO ROSSO	DASH-BOARD RED	CONSOLE ROUGE	KONSOLE ROTE
-	22120174/ 0	1	CRUSCOTTO GIALLO	DASH-BOARD YELLOW	CONSOLE JAUNE	KONSOLE GELBE

- H 350
- K 350
- K 390
- C 350
- C 390
- NG 410 / 410 S
- NG 460
- NG 414
- NG 464
- NG 464 TR
- NG 464 TR-E
- NG 504
- NG 504 TR
- NG 504 TR-E
- R 430 / 430 S
- R 480
- R 430 TR
- R 434
- R 484
- R 534
- R 484 TR / TR-E
- R 534 TR / TR-E
- RL 430 / 430 S
- RL 480
- RL 430 TR
- RL 434
- RL 484
- RL 534
- RL 484 TR
- RL 484 TR-E
- RL 534 TR
- RL 534 TR-E
- TD 430 / 430 S
- TD 480
- TD 430 TR
- TD 434
- TD 484
- TD 534
- TD 484 TR
- TD 484 TR-E
- TD 534 TR
- TD 534 TR-E
- TDL 430 / 430 S
- TDL 480
- TDL 430 TR
- TDL 434
- TDL 484
- TDL 534
- TDL 484 TR
- TDL 484 TR-E
- TDL 534 TR
- TDL 534 TR-E
- CA 430
- CA 480
- CA 434
- CA 484
- CA 534
- CA 430 TR
- CA 434 TR
- CA 484 TR / TR-E
- CA 534 TR / TR-E
- CAL 430
- CAL 480
- CAL 434
- CAL 484
- CAL 534
- CAL 430 TR
- CAL 434 TR
- CAL 484 TR / TR-E
- CAL 534 TR / TR-E
- T 430 / 430 S
- T 480
- T 434
- T 484
- T 484 TR
- T 484 TR-E
- PAN 504
- PAN 504 TR
- PAN 504 TR-E
- PAN 504 TR-E 3S
- PAN 504 TR 3S
- NP 534
- NP 534 TR
- NP 534 TR-E
- NP 534 TR 3S
- NP 534 TR-E 3S
- S 474 L

1

2

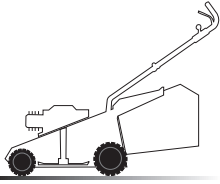
3

4

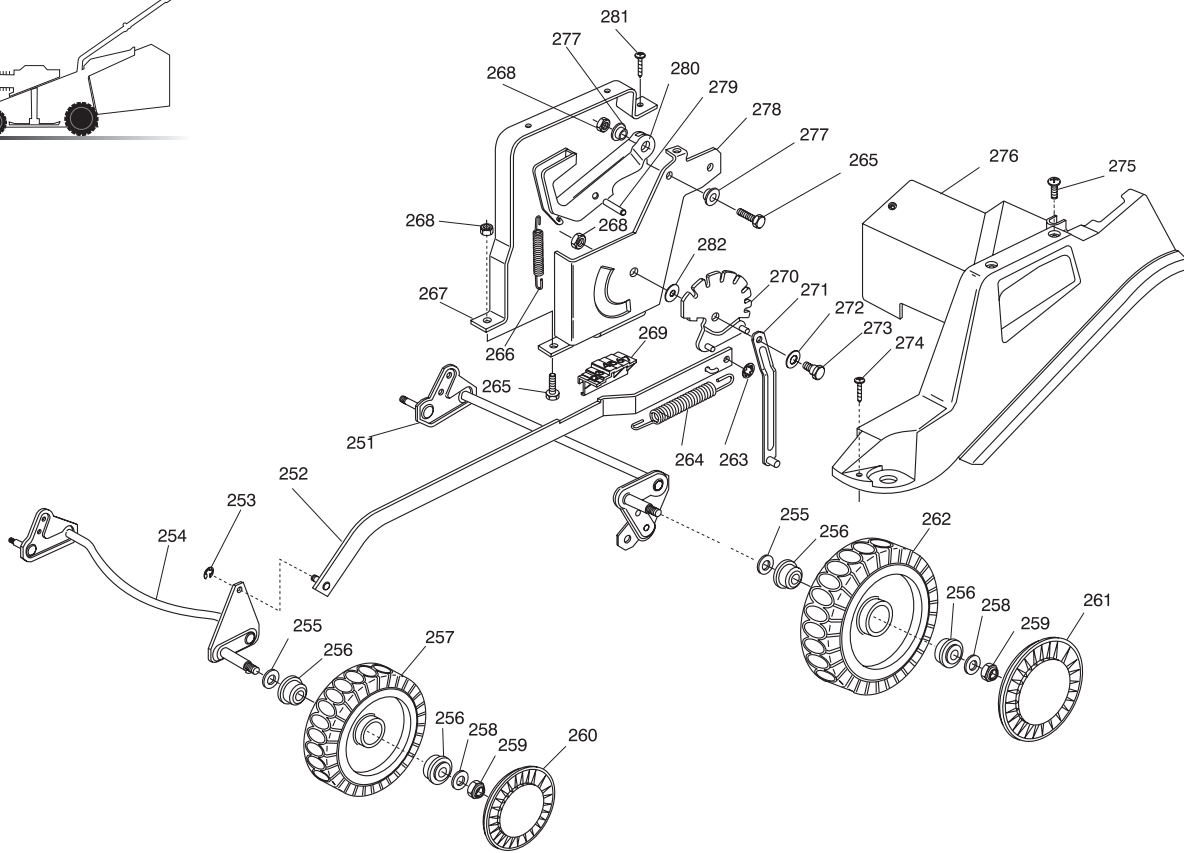
5

6

# 2



02D.028



- H 350
- K 350
- K 390
- C 350
- C 390
- NG 410 / 410 S
- NG 460
- NG 414
- NG 464
- NG 464 TR
- NG 464 TR-E
- NG 504
- NG 504 TR
- NG 504 TR-E
- R 430 / 430 S
- R 480
- R 430 TR
- R 434
- R 484
- R 534
- R 484 TR / TR-E
- R 534 TR / TR-E
- RL 430 / 430 S
- RL 480
- RL 430 TR
- RL 434
- RL 484
- RL 534
- RL 484 TR
- RL 484 TR-E
- RL 534 TR
- RL 534 TR-E
- TD 430 / 430 S
- TD 480
- TD 430 TR
- TD 434
- TD 484
- TD 534
- TD 484 TR
- TD 484 TR-E
- TD 534 TR
- TD 534 TR-E
- TDL 430 / 430 S
- TDL 480
- TDL 430 TR
- TDL 434
- TDL 484
- TDL 534
- TDL 484 TR
- TDL 484 TR-E
- TDL 534 TR
- TDL 534 TR-E
- CA 430
- CA 480
- CA 434
- CA 484
- CA 534
- CA 430 TR
- CA 434 TR
- CA 484 TR / TR-E
- CA 534 TR / TR-E
- CAL 430
- CAL 480
- CAL 434
- CAL 484
- CAL 534
- CAL 430 TR
- CAL 434 TR
- CAL 484 TR / TR-E
- CAL 534 TR / TR-E
- T 430 / 430 S
- T 480
- T 434
- T 484
- T 484 TR
- T 484 TR-E
- PAN 504
- PAN 504 TR
- PAN 504 TR-E
- PAN 504 TR-E 3S
- PAN 504 TR 3S
- NP 534
- NP 534 TR
- NP 534 TR-E
- NP 534 TR 3S
- NP 534 TR-E 3S
- S 474 L

02T.028

Pos	Code	Q.ty	Descrizione	Description	Description	Beschreibung
251	81002804/ 1	1	ASSE RUOTE POSTERIORE	AXLE, REAR WHEELS	AXE ROUES ARRIERE	ACHSE, HINTERRAD
252	81001134/ 0	1	ASTA COMANDO REGOL. ALTEZZA	ROD, HEIGHT ADJUSTMENT CONTROL	TIGE COMMANDE REGLAGE HAUTEUR	STANGE, HÖHEVERSTELLUNG
-	81001136/ 0	1	ASTA COMANDO REGOL. ALTEZZA	ROD, HEIGHT ADJUSTMENT CONTROL	TIGE COMMANDE REGLAGE HAUTEUR	STANGE, HÖHEVERSTELLUNG (HONDA GCV 135/ 160)
253	12000930/ 0	2	ANELLO ELASTICO	SNAP RING	ANNEAU RESSORT	SPRENGRING
254	81002801/ 0	1	ASSE RUOTE ANTERIORE	AXLE, FRONT WHEELS	AXE ROUES AVANT	ACHSE, VORDERRAD
255	12530150/ 0	4	RONDELLA ELASTICA	ELASTIC WASHER	RONDELLE ELASTIQUE	ELASTISCHE SCHEIBE
256	22122200/ 0	8	CUSCINETTO	BEARING	COUSSINET	LAGER
257	81007317/ 0	2	RUOTA SCOLPITA Ø 170	WHEEL, KNOBBLY Ø 170	ROUE SCULPTEE Ø 170	RAD M. STOLLENPR. Ø 170
258	12521350/ 0	4	RONDELLA	WASHER	RONDELLE	SCHEIBE
259	12155000/ 0	4	DADO	NUT	ECROU	MUTTER
260	22110282/ 0	2	COPRIMOZZO BIANCO	HUB CAP WHITE	COUVRE-MOYEU BLANC	RADKAPPE WEIßE
-	22110288/ 0	2	COPRIMOZZO GIALLO	HUB CAP YELLOW	COUVRE-MOYEU JAUNE	RADKAPPE GELBE
-	22110290/ 1	2	COPRIMOZZO ROSSO	HUB CAP RED	COUVRE-MOYEU ROUGE	RADKAPPE ROTE
261	22110281/ 0	2	COPRIMOZZO BIANCO	HUB CAP WHITE	COUVRE-MOYEU BLANC	RADKAPPE WEIßE
-	22110287/ 0	2	COPRIMOZZO GIALLO	HUB CAP YELLOW	COUVRE-MOYEU JAUNE	RADKAPPE GELBE
-	22110289/ 0	2	COPRIMOZZO ROSSO	HUB CAP RED	COUVRE-MOYEU ROUGE	RADKAPPE ROTE
262	81007318/ 1	2	RUOTA SCOLPITA Ø 210	WHEEL, KNOBBLY Ø 210	ROUE SCULPTEE Ø 210	RAD M. STOLLENPR. Ø 210
263	12604899/ 0	2	ANELLO ELASTICO	ELASTIC RING	ANNEAU ELASTIQUE	ELASTISCHER RING
264	22446180/ 0	1	MOLLA	SPRING	RESSORT	FEDER
265	12793301/ 0	3	VITE	SCREW	VIS	SCHRAUBE
266	22446175/ 0	1	MOLLA	SPRING	RESSORT	FEDER
267	22785113/ 0	1	SUPPORTO MANIGLIA	SUPPORT, HANDLE	SUPPORT POIGNÉE	HALTER, GRIFF
268	12293201/ 0	4	DADO	NUT	ECROU	MUTTER
269	22570200/ 0	1	PLACCHETTA POSIZIONI	PLATE, CUTTING POSITIONS	PLAQUETTE REGLAGE	PLATTE, HÖHEVERSTELLUNG
270	81000479/ 0	1	SETTORE DI REGOLAZIONE	SECTOR, HEIGHT ADJUSTMENT	SECTEUR REGLAGE	SEKTOR, HÖHEVERSTELLUNG
271	81001269/ 0	1	ASTA ASSE POSTERIORE	ROD, REAR WHEELS AXLE	TIGE, AXE ROUE ARRIERES	STANGE, HINTERRADACHSE
272	22672151/ 0	1	RONDELLA	WASHER	RONDELLE	SCHEIBE
273	22529662/ 0	1	PERNO FULCRO	FULCRUM PIN	PIVOT	BOLZEN
274	12728519/ 0	3	VITE	SCREW	VIS	SCHRAUBE
275	12728520/ 0	1	VITE	SCREW	VIS	SCHRAUBE
276	22060144/ 0	1	CARTER REGOLAZIONE	DECK, ADJUSTMENT	CHÂSSIS REGLAGE	GEHÄUSE VERSTELLUNG
277	25038002/ 0	2	BUSSOLA	BUSH	DOUILLE	BUCHSE
278	22785109/ 0	1	SUPPORTO REGOLAZ. ALTEZZA	SUPPORT, HEIGHT ADJUSTMENT	SUPPORT REGLAGE	HALTER, HÖHEVERSTELLUNG
279	12622640/ 0	1	SPINA	PIN	GOUPILLE	STIFT
280	22393611/ 1	1	MANIGLIA	HANDLE	POIGNÉE	GRIFF
281	12729600/ 0	1	VITE	SCREW	VIS	SCHRAUBE
282	22672152/ 0	1	RONDELLA	WASHER	RONDELLE	SCHEIBE

1

2

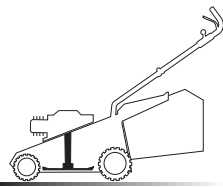
3

4

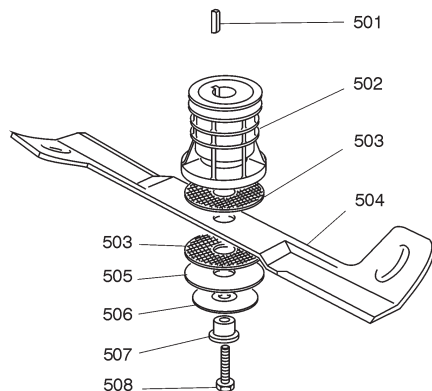
5

6

# 5



06D.005



05T.020

Pos	Code	Q.ty	Descrizione	Description	Description	Beschreibung	
151	12139100/ 0	1	LINGUETTA	FEATHER	CLAVETTE	KEIL	
152	22465611/ 0	1	MOZZO	HUB	MOYEU	HALTER	
153	22672110/ 1	2	RONDELLA FRIZIONE	CLUTCH WASHER	RONDELLE FRICTION	KUPPLUNGSCHEIBE	
154	81004398/ 0	1	COLTELLO ALETTATO	BLADE WINGED	LAME AILETTÉE	MESSER FLÜGEL	51 cm
155	12508120/ 0	1	MOLLA A TAZZA	CUPPED SPRING	RESSORT	TELLER FEDER	
156	22672105/ 0	1	RONDELLA	WASHER	RONDELLE	SCHEIBE	
157	22041940/ 0	1	BUSSOLA FRIZIONE	CLUTCH BUSH	DOUILLE FRICTION	KUPPLUNGSSCHEIBE	
158	12736850/ 0	1	VITE	SCREW	VIS	SCHRAUBE	

- H 350
- K 350
- K 390
- C 350
- C 390
- NG 410 / 410 S
- NG 460
- NG 414
- NG 464
- NG 464 TR
- NG 464 TR-E
- NG 504
- NG 504 TR
- NG 504 TR-E
- R 430 / 430 S
- R 480
- R 430 TR
- R 434
- R 484
- R 534
- R 484 TR / TR-E
- R 534 TR / TR-E
- RL 430 / 430 S
- RL 480
- RL 430 TR
- RL 434
- RL 484
- RL 534
- RL 484 TR
- RL 484 TR-E
- RL 534 TR
- RL 534 TR-E
- TD 430 / 430 S
- TD 480
- TD 430 TR
- TD 434
- TD 484
- TD 534
- TD 484 TR
- TD 484 TR-E
- TD 534 TR
- TD 534 TR-E
- TDL 430 / 430 S
- TDL 480
- TDL 430 TR
- TDL 434
- TDL 484
- TDL 534
- TDL 484 TR
- TDL 484 TR-E
- TDL 534 TR
- TDL 534 TR-E
- CA 430
- CA 480
- CA 434
- CA 484
- CA 534
- CA 430 TR
- CA 434 TR
- CA 484 TR / TR-E
- CA 534 TR / TR-E
- CAL 430
- CAL 480
- CAL 434
- CAL 484
- CAL 534
- CAL 430 TR
- CAL 434 TR
- CAL 484 TR / TR-E
- CAL 534 TR / TR-E
- T 430 / 430 S
- T 480
- T 434
- T 484
- T 484 TR
- T 484 TR-E
- PAN 504
- PAN 504 TR
- PAN 504 TR-E
- PAN 504 TR-E 3S
- PAN 504 TR 3S
- NP 534
- NP 534 TR
- NP 534 TR-E
- NP 534 TR 3S
- NP 534 TR-E 3S
- S 474 L

# 1

# 2

# 3

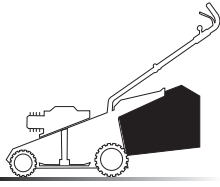
# 4

# 5

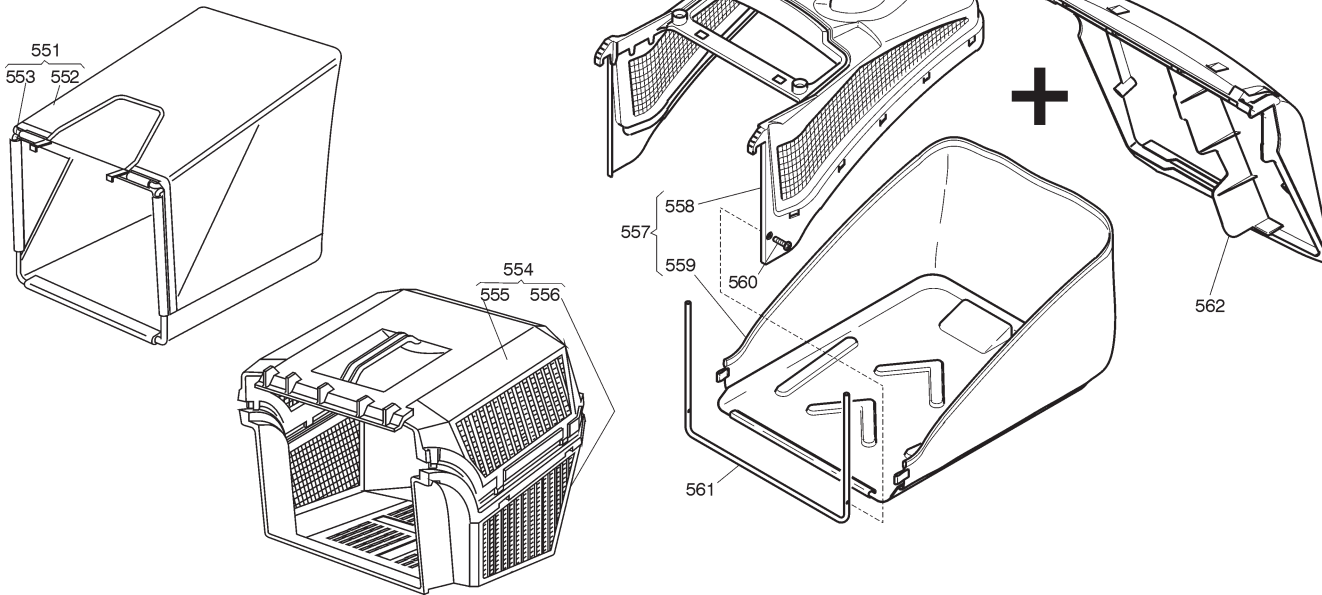
# 6



## 6



06D.004



06T.004

Pos	Code	Q.ty	Descrizione	Description	Description	Beschreibung
551	96400000/0	1	SACCO IN TELA, COMPLETO	GRASSCATCHER, CANVASS COMPLETE	SAC EN TOILE, COMPLETE	SACK, KOMPLETTE
552	81002124/ 1	1	SACCO, TELA	BOX, FABRIC	SAC, TOILE	SACK, TUCK
553	81006430/0	1	TELAIO SACCO	CHASSIS BOX	CHÂSSIS BAC	RAHMEN SACK
554	96500000/0	1	SACCO, COMPLETO	GRASSCATCHER, COMPLETE	SAC, COMPLETE	SACK, KOMPLETTE
555	22486065/0	1	SACCO, PARTE SUPERIORE	GRASS-BOX, UPPER PART	SAC, PARTIE SUPERIEURE	KORB, OBERTEIL
556	22486064/0	1	SACCO, PARTE INFERIORE	GRASS-BOX, LOWER PART	SAC, PARTIE INFÉRIEURE	KORB, UNTERTEIL
557	92140000/0	1	SACCO COMPLETO	GRASS-BOX, COMPLETE	BAC COMPLET	KORB, KOMPLETTE
558	22486090/0	1	SACCO, PARTE SUPERIORE	GRASS-BOX, UPPER PART	SAC, PARTIE SUPERIEURE	KORB, OBERTEIL
559	22608524/0	1	RINFORZO INFERIORE	STIFFENING LOWER	RÉNFORCEMENT INFÉRIEUR	VERSTÄRKUNG UNTERE
560	12728445/0	1	VITE	SCREW	VIS	SCHRAUBE
561	81002185/0	1	SACCO, TELA	BOX, FABRIC	SAC, TOILE	SACK, TUCK
562	22600066/0	1	PARASASSI	STONE GUARD	PARE PIERRES	PRALLBLECH

- H 350
- K 350
- K 390
- C 350
- C 390
- NG 410 / 410 S
- NG 460
- NG 414
- NG 464
- NG 464 TR
- NG 464 TR-E
- NG 504
- NG 504 TR
- NG 504 TR-E
- R 430 / 430 S
- R 480
- R 430 TR
- R 434
- R 484
- R 534
- R 484 TR / TR-E
- R 534 TR / TR-E
- RL 430 / 430 S
- RL 480
- RL 430 TR
- RL 434
- RL 484
- RL 534
- RL 484 TR
- RL 484 TR-E
- RL 534 TR
- RL 534 TR-E
- TD 430 / 430 S
- TD 480
- TD 430 TR
- TD 434
- TD 484
- TD 534
- TD 484 TR
- TD 484 TR-E
- TD 534 TR
- TD 534 TR-E
- TDL 430 / 430 S
- TDL 480
- TDL 430 TR
- TDL 434
- TDL 484
- TDL 534
- TDL 484 TR
- TDL 484 TR-E
- TDL 534 TR
- TDL 534 TR-E
- CA 430
- CA 480
- CA 434
- CA 484
- CA 534
- CA 430 TR
- CA 434 TR
- CA 484 TR / TR-E
- CA 534 TR / TR-E
- CAL 430
- CAL 480
- CAL 434
- CAL 484
- CAL 534
- CAL 430 TR
- CAL 434 TR
- CAL 484 TR / TR-E
- CAL 534 TR / TR-E
- T 430 / 430 S
- T 480
- T 434
- T 484
- T 484 TR
- T 484 TR-E
- PAN 504
- PAN 504 TR
- PAN 504 TR-E
- PAN 504 TR-E 3S
- PAN 504 TR 3S
- NP 534
- NP 534 TR
- NP 534 TR-E
- NP 534 TR 3S
- NP 534 TR-E 3S
- S 474 L

1

2

3

4

5

6