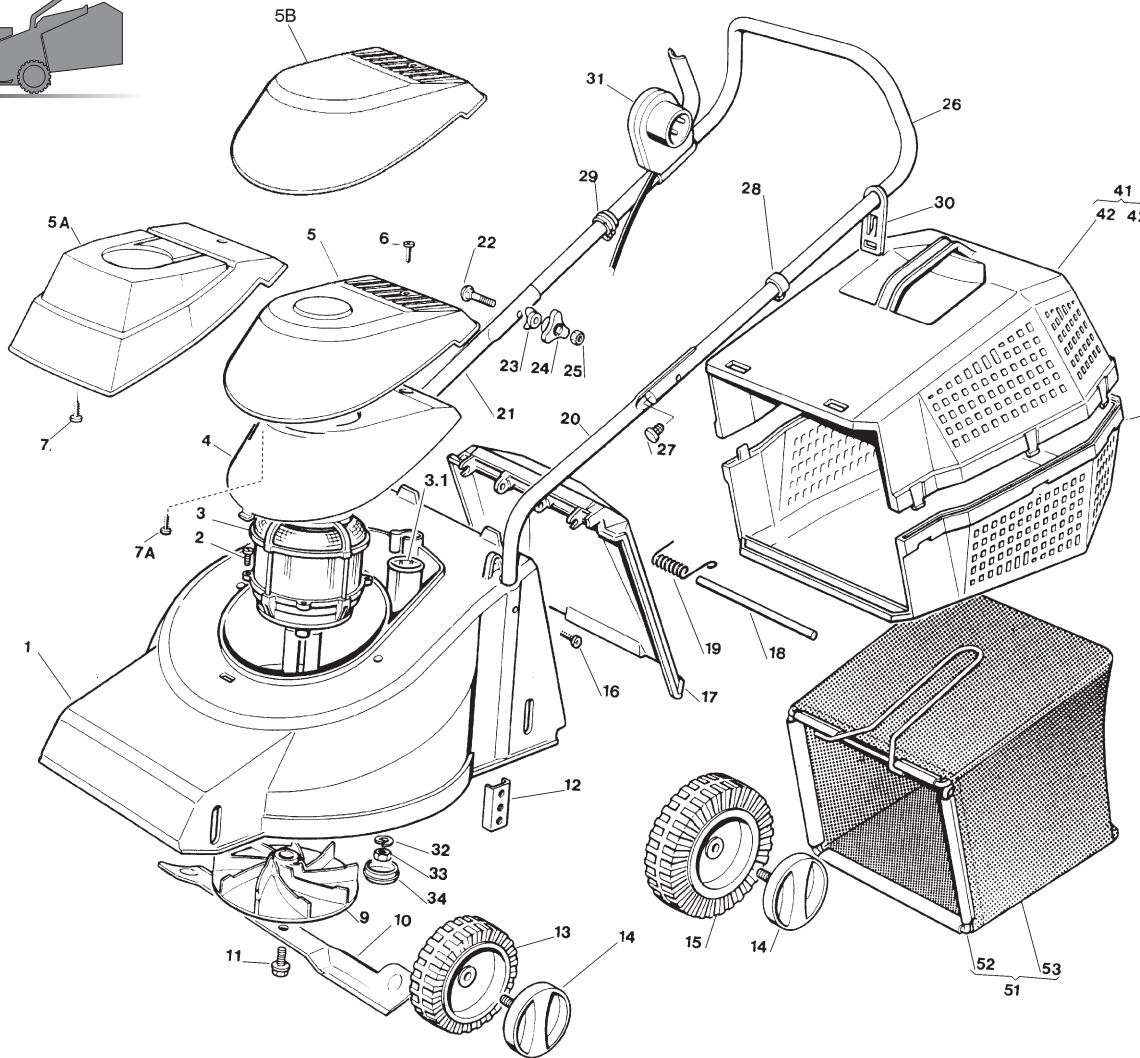
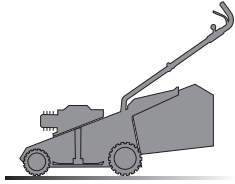


00D.001



- H 350
- K 350
- K 390
- C 350
- C 390
- NG 410 / 410 S
- NG 460
- NG 414
- NG 464
- NG 464 TR
- NG 464 TR-E
- NG 504
- NG 504 TR
- NG 504 TR-E
- R 430 / 430 S
- R 480
- R 430 TR
- R 434
- R 484
- R 534
- R 484 TR / TR-E
- R 534 TR / TR-E
- RL 430 / 430 S
- RL 480
- RL 430 TR
- RL 434
- RL 484
- RL 534
- RL 484 TR
- RL 484 TR-E
- RL 534 TR
- RL 534 TR-E
- TD 430 / 430 S
- TD 480
- TD 430 TR
- TD 434
- TD 484
- TD 534
- TD 484 TR
- TD 484 TR-E
- TD 534 TR
- TD 534 TR-E
- TDL 430 / 430 S
- TDL 480
- TDL 430 TR
- TDL 434
- TDL 484
- TDL 534
- TDL 484 TR
- TDL 484 TR-E
- TDL 534 TR
- TDL 534 TR-E
- CA 430
- CA 480
- CA 434
- CA 484
- CA 534
- CA 430 TR
- CA 434 TR
- CA 484 TR / TR-E
- CA 534 TR / TR-E
- CAL 430
- CAL 480
- CAL 434
- CAL 484
- CAL 534
- CAL 430 TR
- CAL 434 TR
- CAL 484 TR / TR-E
- CAL 534 TR / TR-E
- T 430 / 430 S
- T 480
- T 434
- T 484
- T 484 TR
- T 484 TR-E
- PAN 504
- PAN 504 TR
- PAN 504 TR-E
- PAN 504 TR-E 3S
- PAN 504 TR 3S
- NP 534
- NP 534 TR
- NP 534 TR-E
- NP 534 TR 3S
- NP 534 TR-E 3S
- S 474 L

00T.001

Pos	Code	Q.ty	Descrizione	Description	Description	Beschreibung	
1	81001036/ 1	1	CHASSIS ROSSO	DECK RED	CHÂSSIS ROUGE	GEHÄUSE ROTES	K 350
-	81001037/ 1	1	CHASSIS GIALLO	DECK YELLOW	CHÂSSIS JAUNE	GEHÄUSE GELBES	K 350
-	81001015/ 1	1	CHASSIS VERDE	DECK GREEN	CHÂSSIS VERT	GEHÄUSE GRÜNES	K 350
2	12735410/ 0	4	VITE	SCREW	VIS	SCHRAUBE	
3	18563064/ 0	1	MOTORE IBMEI 900W (230V)	MOTOR IBMEI 900W (230V)	MOTEUR IBMEI 900W (230V)	MOTOR IBMEI 900W (230V)	
-	18563066/ 0	1	MOTORE IBMEI 900W (240V)	MOTOR IBMEI 900W (240V)	MOTEUR IBMEI 900W (240V)	MOTOR IBMEI 900W (240V)	
-	18563007/ 2	1	MOTORE RST 900W (220-230V)	MOTOR RST 900W (220-230V)	MOTEUR RST 900W (220-230V)	MOTOR RST 900W (220-230V)	
-	18563011/ 0	1	MOTORE RST 800W (220-230V)	MOTOR RST 800W (220-230V)	MOTEUR RST 800W (220-230V)	MOTOR RST 800W (220-230V)	
31	18222034/ 0	1	CONDENSATORE 8 µF	CONDENSER 8 µF	CONDENSEUR 8 µF	KONDENSATOR 8 µF	
4	22055032/ 0	1	SUPPORTO CAPOTTINA	SUPPORT, COVER	SUPPORT, CAPOT	HALTER, HAUBE	
5	81002006/ 0	1	CAPOTTINA	COVER	CAPOT	HAUBE	
5B	22055059/ 0	1	CAPOTTINA	COVER	CAPOT	HAUBE	
5A	22055037/ 1	1	CAPOTTINA	COVER	CAPOT	HAUBE	
6	12728680/ 0	1	VITE	SCREW	VIS	SCHRAUBE	
7	12728450/ 0	1	VITE	SCREW	VIS	SCHRAUBE	
7A	12728680/ 0	1	VITE	SCREW	VIS	SCHRAUBE	
8	22167700/ 0	4	DISTANZIALE	SPACER	ENTRETOISE	DISTANZRING	
9	22465602/ 0	1	MOZZO	HUB	MOYEU	HALTER	
10	81004116/ 0	1	COLTELLO ALETTATO	BLADE WINGED	LAME AILETTÉE	MESSER FLÜGEL	33 cm
-	81004115/ 1	1	COLTELLO STANDARD	BLADE STANDARD	LAME STANDARD	MESSER STANDARD	33 cm
11	81004352/ 0	1	VITE	SCREW	VIS	SCHRAUBE	
12	22785087/ 1	4	SUPPORTO RUOTE	SUPPORT, WHEELS	SUPPORT ROUE	HALTER, RAD	
13	22686081/ 0	2	RUOTA Ø 130	WHEEL Ø 130	ROUE Ø 130	RAD Ø 130	
14	81004348/ 0	4	COPRIMOZZO BIANCO	HUB CAP WHITE	COUVRE-MOYEU BLANC	RADKAPPE WEIßE	
-	81004354/ 0	4	COPRIMOZZO ROSSO	HUB CAP RED	COUVRE-MOYEU ROUGE	RADKAPPE ROTE	

1

2

3

4

5

6

14	81004347/ 0	4	COPRIMOZZO GIALLO	HUB CAP YELLOW	COUVRE-MOYEU JAUNE	RADKAPPE GELBE	H 350
15	22686082/ 0	2	RUOTA Ø 160	WHEEL Ø 160	ROUE Ø 160	RAD Ø 160	K 350
16	12728450/ 0	2	VITE	SCREW	VIS	SCHRAUBE	K 390
17	22600024/ 1	1	PARASASSI	STONE-GUARD	PARE-PIERRES	PRALLBLECH	C 350
18	22512530/ 0	1	PERNO	PIN	PIVOT	BOLZEN	C 390
19	22450250/ 0	1	MOLLA	SPRING	RESSORT	FEDER	NG 410 / 410 S
20	81006940/ 0	1	MANICO, PARTE INFERIORE SX	HANDLE, LEFT LOWER PART	GAUCHE MANCHERON, PARTIE INFERIEURE	HOLM, LINKE UNTERTEIL	NG 460
21	81006939/ 0	1	MANICO, PARTE INFERIORE DX	HANDLE, RIGHT LOWER PART	DROITE MANCHERON, PARTIE INFERIEURE	HOLM, RECHTE UNTERTEIL	NG 414
22	12819120/ 0	2	VITE	SCREW	VIS	SCHRAUBE	NG 464
23	22680006/ 1	2	RONDELLA	WASHER	RONDELLE	SCHEIBE	NG 464 TR
24	22399900/ 0	2	MANOPOLINA	KNOB	POIGNÉE	GRIFF	NG 464 TR-E
25	12293200/ 0	2	DADO	NUT	ECROU	MUTTER	NG 504
26	81006941/ 2	1	MANICO, PARTE SUPERIORE	HANDLE, UPPER PART	MANCHERON, PARTIE SUPERIEURE	HOLM, OBERTEIL	NG 504 TR
27	18566112/ 0	2	PUNTALE	CAP	BOUCHON	GUMMISTOPFEN	R 430 / 430 S
28	22192151/ 0	1	FERMACAVO	FAIRLEAD	FIXATION CABLE	KABELBEFESTIGUNG	R 480
29	22192000/ 1	1	FASCETTA ANCORAGGIO	ANCHOR CLAMP	COLLIER ANCRAGE	BOWDENZUGHALTER	R 484
30	22195101/ 1	1	FERMACAVO	FAIRLEAD	FIXATION CABLE	KABELBEFESTIGUNG	R 534
31	18710625/ 1	1	SALVAMOTORE	DEAD HAND SWITCH	INT. MAIN MORTE	TOT MANSCHALTER	R 484 TR / TR-E
-	18710629/ 0	1	SALVAMOTORE	DEAD HAND SWITCH	INT. MAIN MORTE	TOT MANSCHALTER	R 534 TR / TR-E
-	18710631/ 0	1	SALVAMOTORE	DEAD HAND SWITCH	INT. MAIN MORTE	TOT MANSCHALTER	RL 430 / 430 S
-	18710611/ 1	1	SALVAMOTORE	DEAD HAND SWITCH	INT. MAIN MORTE	TOT MANSCHALTER	RL 480
-	18710626/ 1	1	SALVAMOTORE - SENZA PROT. TERMICA	DEAD HAND SWITCH - WITHOUT OVERLOAD PROTECTION	INT. MAIN MORTE - SANS PROTECTION TERMIQUE	TOT MANSCHALTER - OHNE THERMISCHER SCHUTZ	RL 430 TR
-	18710627/ 0	1	SALVAMOTORE - SENZA PROT. TERMICA	DEAD HAND SWITCH - WITHOUT OVERLOAD PROTECTION	INT. MAIN MORTE - SANS PROTECTION TERMIQUE	TOT MANSCHALTER - OHNE THERMISCHER SCHUTZ	RL 434
-	18710630/ 0	1	SALVAMOTORE	DEAD HAND SWITCH	INT. MAIN MORTE	TOT MANSCHALTER	RL 484
32	12540260/ 0	1	GROWER	GROWER	GROWER	FEDERRING	RL 484 TR
33	12293200/ 0	1	DADO	NUT	ECROU	MUTTER	RL 484 TR-E
34	22110275/ 0	1	TAPPO	CAP	BOUCHON	GUMMISTOPFEN	RL 534 TR
41	97004000/ 0	1	SACCO, COMPLETO	GRASSCATCHER, COMPLETE	SAC, COMPLETE	SACK, KOMPLETTE	RL 534 TR-E
42	22486040/ 0	2	SACCO, PARTE INFERIORE/ SUPERIORE	GRASS-BOX, UPPER/ LOWER PART	SAC, PARTIE INFERIEURE/ SUPERIEURE	KORB, OBER/ UNTERTEIL	TD 430 / 430 S
51	97006000/ 0	1	SACCO IN TELA, COMPLETO	GRASSCATCHER, CANVASS COMPLETE	SAC EN TOILE, COMPLETE	SACK, KOMPLETTE	TD 480
52	81006414/ 0	1	TELAIO SACCO	CHASSIS BOX	CHÂSSIS BAC	RAHMEN SACK	TD 484
53	81002103/ 0	1	SACCO, TELA	BOX, FABRIC	SAC, TOILE	SACK, TUCK	TD 484 TR-E
-	81008592/ 0	1	DOTAZIONE VITERIA	OUTFIT, SCREWS	DOTATION VISSERIE	SATZ, SCHRAUBEN	TD 534 TR
							TD 534 TR-E
							TDL 430 / 430 S
							TDL 480
							TDL 430 TR
							TDL 434
							TDL 484
							TDL 534
							TDL 484 TR
							TDL 484 TR-E
							TDL 534 TR
							TDL 534 TR-E
							CA 430
							CA 480
							CA 434
							CA 484
							CA 534
							CA 430 TR
							CA 434 TR
							CA 484 TR / TR-E
							CA 534 TR / TR-E
							CAL 430
							CAL 480
							CAL 434
							CAL 484
							CAL 534
							CAL 430 TR
							CAL 434 TR
							CAL 484 TR / TR-E
							CAL 534 TR / TR-E
							T 430 / 430 S
							T 480
							T 434
							T 484
							T 484 TR
							T 484 TR-E
							PAN 504
							PAN 504 TR
							PAN 504 TR-E
							PAN 504 TR-E 3S
							PAN 504 TR 3S
							NP 534
							NP 534 TR
							NP 534 TR-E
							NP 534 TR 3S
							NP 534 TR-E 3S
							S 474 L

1

2

3

4

5

6