

**TDL 430**

**TDL 430 S**

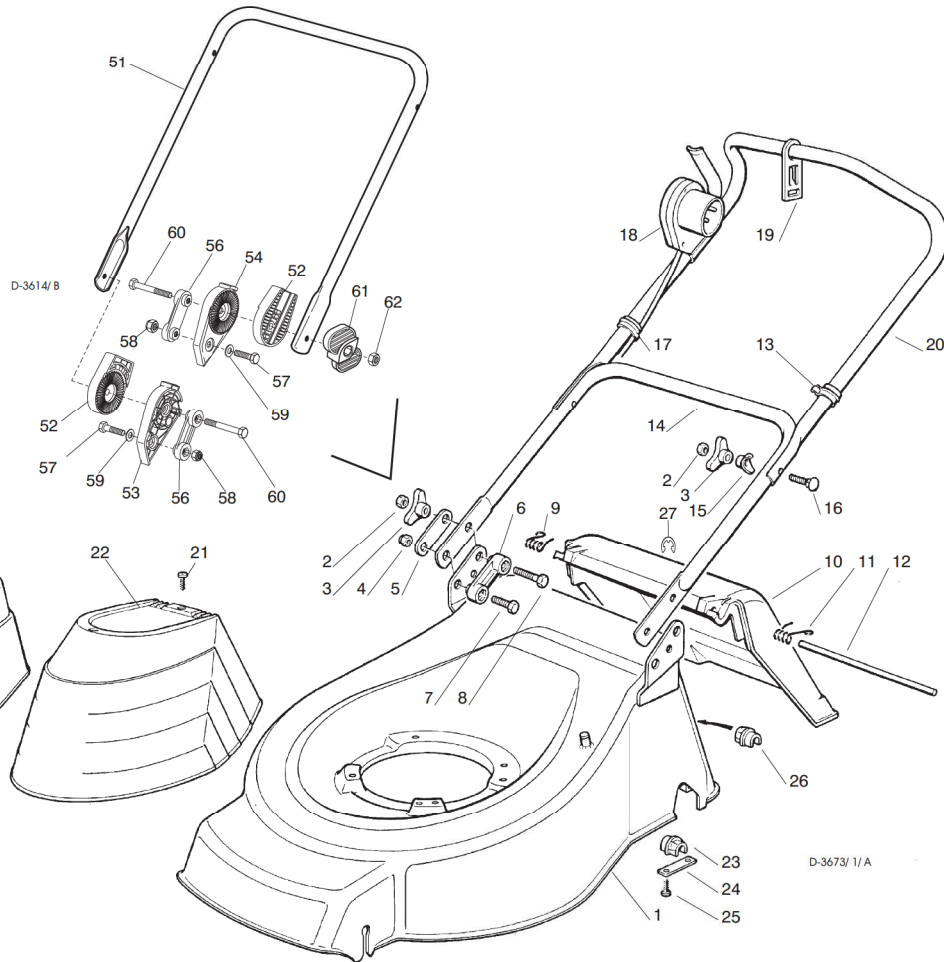
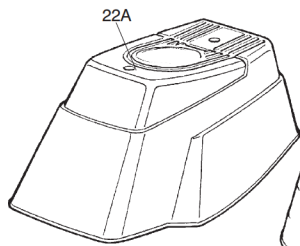
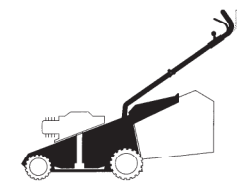
**TDL 480**

CHASSIS  
MANICO  
COMANDI  
DOTAZIONE VITERIE

DECK  
HANDLE  
CONTROLS  
SCREWS OUTFITS

CHÂSSIS  
MANCHERON  
COMMANDES  
DOTATION VISSERIE

GEHÄUSE  
HOLM  
BETÄTIGUNGEN  
SCRAUBENSATZ



SPARE PARTS CATALOGUE

GB

CATALOGO DELLE PARTI  
DI RICAMBIO

I

ERSATZTEILKATALOG

D

CATALOGUE DES PIÈCES  
DE RECHANGE

F

T-3673/A

| Pos. Nr. | Codice Code Kodex | Q.tà Q.ty-Q.tè Menge | Descrizione            | Description    | Description           | Beschreibung     |
|----------|-------------------|----------------------|------------------------|----------------|-----------------------|------------------|
| 1        |                   |                      | CHASSIS                | DECK           | CHÂSSIS               | GEHÄUSE          |
| -        | 81001343/0        | 1                    | ROSSO TDL 430          | RED TDL 430    | ROUGE TDL 430         | ROTES TDL 430    |
| -        | 81001353/0        | 1                    | GIALLO TDL 430         | YELLOW TDL 430 | JAUNE TDL 430         | GELBES TDL 430   |
| -        | 81001375/0        | 1                    | VERDE TDL 430          | GREEN TDL 430  | VERT TDL 430          | GRÜNES TDL 430   |
| -        | 81001344/0        | 1                    | ROSSO TDL 480          | RED TDL 480    | ROUGE TDL 480         | ROTES DL 480     |
| -        | 81001355/0        | 1                    | GIALLO TDL 480         | YELLOW TDL 480 | JAUNE TDL 480         | GELBES TDL 480   |
| -        | 81001377/0        | 1                    | VERDE TDL 480          | GREEN TDL 480  | VERT TDL 480          | GRÜNES TDL 480   |
| 2        | 12293200/0        | 4                    | DADO                   | NUT            | ECROU                 | MUTTER           |
| 3        | 22399900/0        | 4                    | MANOPOLINA             | KNOB           | POIGNÉE               | GRIF             |
| 4        | 12155000/0        | 2                    | DADO                   | NUT            | ECROU                 | MUTTER           |
| 5        | 22551574/0        | 2                    | PIASTRINA ESTERNA      | OUTSIDE PLAQUE | PLAQUETTE EXTERNE     | INNERE PLATTE    |
| 6        | 22551575/0        | 2                    | PIASTRINA INTERNA      | INSIDE PLAQUE  | PLAQUETTE INTERNE     | INNERE PLATTE    |
| 7        | 12793300/0        | 2                    | VITE                   | SCREW          | VIS                   | SCHRAUBE         |
| 8        | 12691115/0        | 2                    | VITE                   | SCREW          | VIS                   | SCHRAUBE         |
| 9        | 22450410/1        | 1                    | MOLLA DESTRA           | RIGHT SPRING   | RESSORT DROITE        | RECHTE FEDER     |
| 10       | 22600046/1        | 1                    | PARASASSI              | STONE-GUARD    | PARE-PIERRES          | PRALLBLECH       |
| 11       | 22450420/1        | 1                    | MOLLA SINISTRA         | LEFT SPRING    | RESSORT GAUCHE        | LINKE FEDER      |
| 12       | 22517906/1        | 1                    | PERNO                  | PIN            | PIVOT                 | BOLZEN           |
| 13       | 22192151/0        | 1                    | FERMACAVO              | FAIR LEAD      | FIXATION CABLE        | KABELBEFESTIGUNG |
| 14       | 81006512/0        | 1                    | PORTE INFERIORE MANICO | LOWER HANDLE   | PARTIE INF. MANCHERON | UNTERKORB        |
| 15       | 22680006/1        | 2                    | RONDELLA               | WASHER         | RONDELLE              | SCHEIBE          |
| 16       | 12819201/0        | 2                    | VITE                   | SCREW          | VIS                   | SCHRAUBE         |
| 17       | 22192000/1        | 2                    | FASCETTA ANCORAGGIO    | ANCHOR CLAMP   | COLLIER ANCRAGE       | BOWDENZUGHALTER  |

| Pos. Nr. | Codice Code Kodex | Q.tà Q.ty-Q.tè Menge | Descrizione                           | Description                                   | Description                             | Beschreibung                            |
|----------|-------------------|----------------------|---------------------------------------|---|---|---|
| 18       |                   |                      | SALVAMOTORE M.M.<br>SOLO PER SVIZZERA | DEAD HAND SWITCH M.M.<br>ONLY FOR SWITZERLAND | INT. MAIN MORTE<br>SEUL. POUR LA SUISSE | TOT MANSCHALTER M.M.<br>NUR FÜR SCHWEIZ |
| -        | 18710562/0        | 1                    | 8,5 A 602 MS (1300W IBMEI)            | 8,5 A 602 MS (1300W IBMEI)                    | 8,5 A 602 MS (1300W IBMEI)              | 8,5 A 602 MS (1300W IBMEI)              |
| -        | 18710563/0        | 1                    | 8,5 A 603 MS (1300W IBMEI)            | 8,5 A 603 MS (1300W IBMEI)                    | 8,5 A 603 MS (1300W IBMEI)              | 8,5 A 603 MS (1300W IBMEI)              |
|          |                   |                      | SOLO PER SVIZZERA                     | ONLY FOR SWITZERLAND                          | SEUL. POUR LA SUISSE                    | NUR FÜR SCHWEIZ                         |
| -        | 18710624/1        | 1                    | 8,5 A 607 MS (1300W IBMEI)            | 8,5 A 607 MS (1300W IBMEI)                    | 8,5 A 607 MS (1300W IBMEI)              | 8,5 A 607 MS (1300W IBMEI)              |
| -        | 18710628/0        | 1                    | 10 A 607 MS (1600W)                   | 10 A 607 MS (1600W)                           | 10 A 607 MS (1600W)                     | 10 A 607 MS (1600W)                     |
| -        | 18710604/0        | 1                    | 10 A 602 MS (1600W)                   | 10 A 602 MS (1600W)                           | 10 A 602 MS (1600W)                     | 10 A 602 MS (1600W)                     |
| -        | 18710572/0        | 1                    | 10 A 603 MS (1600W)                   | 10 A 603 MS (1600W)                           | 10 A 603 MS (1600W)                     | 10 A 603 MS (1600W)                     |
|          |                   |                      | SOLO PER SVIZZERA                     | ONLY FOR SWITZERLAND                          | SEUL. POUR LA SUISSE                    | NUR FÜR SCHWEIZ                         |
| 19       | 22195101/1        | 1                    | FERMACAVO                             | FAIR LEAD                                     | FIXATION CABLE                          | KABELBEFESTIGUNG                        |
| 20       | 81007017/1        | 1                    | PARTE SUPERIORE MANICO                | UPPER HANDLE                                  | PARTIE SUP. MANCHERON                   | OBERKORB                                |
| 21       | 12728680/0        | 2                    | VITE                                  | SCREW   | VIS                                     | SCHRAUBE                                |
| 22       | 22055033/1        | 1                    | CAPOTTINA                             | COVER   | CAPOT                                   | HAUSE                                   |
| 22A      | 22055045/1        | 1                    | CAPOTTINA                             | COVER   | CAPOT                                   | HAUSE                                   |
| 23       | 22038403/0        | 1                    | BRONZINA SINISTRA                     | LEFT BUSH                                     | DOUILLE GAUCHE                          | LINKE BUCHSE                            |
| 24       | 22545142/0        | 2                    | PIASTRINA                             | PLATE   | PLAQUETTE                               | PLATTE                                  |
| 25       | 12731350/0        | 4                    | VITE                                  | SCREW   | VIS                                     | SCHRAUBE                                |
| 26       | 22038402/0        | 1                    | BRONZINA DESTRA                       | RIGHT BUSH                                    | DOUILLE DROITE                          | RECHTE BUCHSE                           |
| 27       | 12000930/0        | 1                    | ANELLO ELASTICO                       | SNAP RING                                     | ANNEAU RESSORT                          | SPRENGRING                              |
| -        | 81008596/1        |                      | DOTAZIONE VITERIA                     | SCREWS OUTFIT                                 | DOTATION VISSERIE                       | SCHRAUBEN SATZ                          |

| VARIANTE REGOLAZIONE MANICO | HANDLE ADJUSTMENT VARIANT | VARIANTE REGLAGE POIGNEE | GRIFFEINSTELLVARIANTE |
|-----------------------------|---------------------------|--------------------------|-----------------------|
|-----------------------------|---------------------------|--------------------------|-----------------------|

T-3614/B

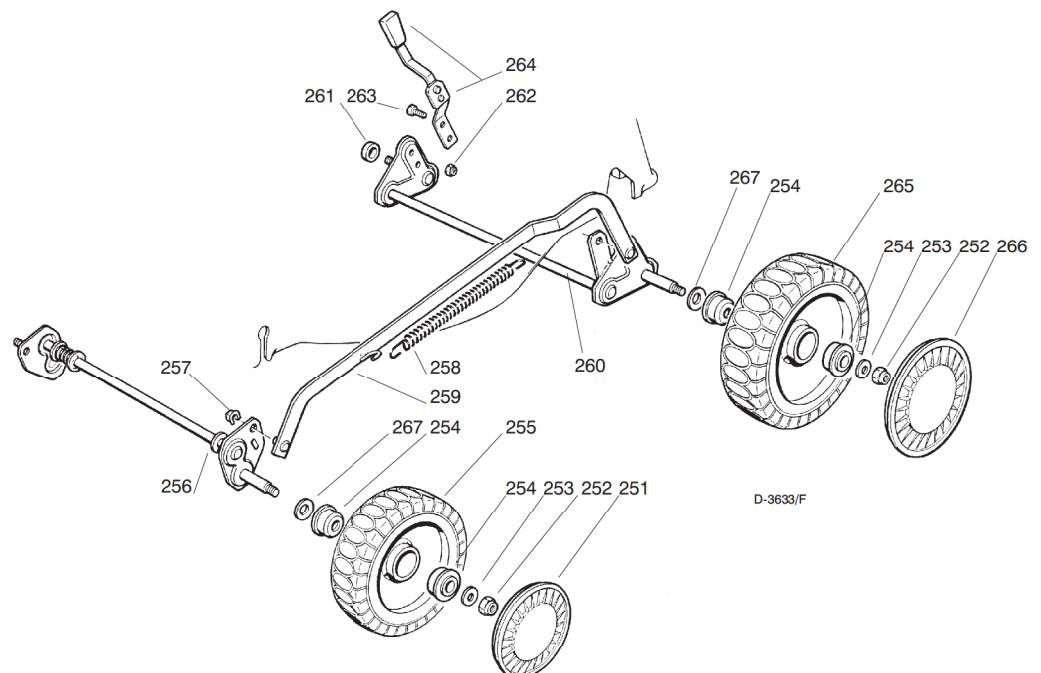
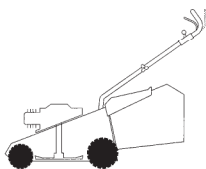
|    |            |   |                     |                     |                        |                         |
|----|------------|---|---------------------|---------------------|------------------------|-------------------------|
| 51 | 81006510/0 | 1 | PARTE INF. MANICO   | LOWER HANDLE        | PARTIE INF. MANCHERON  | UNTERHOLM               |
| 52 | 22785081/0 | 2 | SUPPORTO ESTERNO    | EXTERNAL SUPPORT    | SUPPORT EXTERNE        | AUßERE HALTERUNG        |
| 53 | 22785082/0 | 1 | SUPPORTO INTERNO DX | R. INTERNAL SUPPORT | SUPPORT INTERNE DROIT  | INNERE HALTERUNG RECHTS |
| 54 | 22785083/1 | 1 | SUPPORTO INTERNO SX | L. INTERNAL SUPPORT | SUPPORT INTERNE GAUCHE | INNERE HALTERUNG LINKS  |
| 56 | 22551575/0 | 2 | PIASTRINA INTERNA   | INSIDE PLAQUE       | PLAQUETTE INTERNE      | INNERE PLATTE           |
| 57 | 12793701/0 | 2 | VITE                | SCREW               | VIS                    | SCHRAUBE                |
| 58 | 12155000/0 | 2 | DADO                | NUT                 | ECROU                  | MUTTER                  |
| 59 | 12521350/0 | 2 | RONDELLA            | WASHER              | RONDELLE               | SCHEIBE                 |
| 60 | 12691810/0 | 2 | MANOPOLINA          | KNOB                | POIGNÉE                | GRIFF                   |
| 62 | 12293202/0 | 2 | DADO                | NUT                 | ECROU                  | MUTTER                  |
| -  | 81008622/0 | 1 | DOTAZ. VITERIA      | SCREWS OUTFIT       | DOTATION VISSERIE      | SCHRAUBEN SATZ          |

**RUOTE E REGOLAZIONE**

**WHEELS AND HEIGHT ADJUSTING**




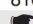
**ROUES ET REGLAGE HAUTER DE COUPE**

**RÄDER UND SCHNITTHÖHEVERSTELLUNG**



D-3633/F

T-3633/ F

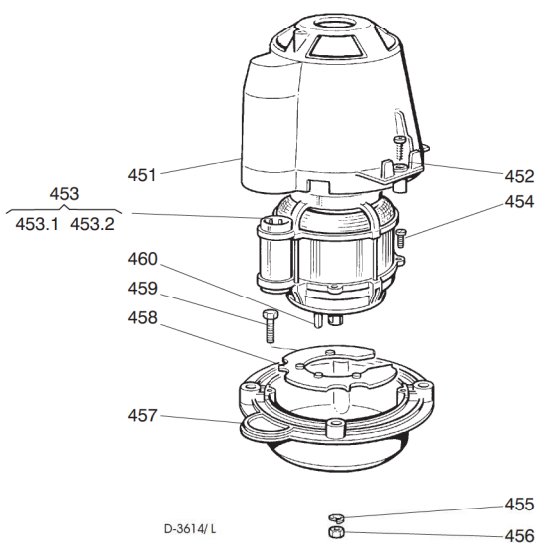
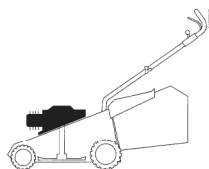
| Pos. Nr. | Codice Code Kodex   | Q.tà Q.ty-Q.tè Menge | Descrizione           | Description         | Description         | Beschreibung            |
|----------|---|----------------------|-----------------------|---------------------|---------------------|-------------------------|
| 251      |  |                      | COPRIMOZZO            | HUB CAP             | COUVRE-MOYEU        | RADKAPPE                |
| —        | 22110282/ 0   | 2                    | BIANCO                | WHITE               | BLANC               | WEIÙE                   |
| —        | 22110288/ 0   | 2                    | GIALLO                | YELLOW              | JAUNE               | GELBE                   |
| —        | 22110290/ 0   | 2                    | ROSSO                 | RED                 | ROUGE               | ROTE                    |
| 252      | 12155000/ 0   | 4                    | DADO                  | NUT                 | ECROU               | MUTTER                  |
| 253      | 12521350/ 0   | 4                    | RONDELLA              | WASHER              | RONDELLE            | SCHIEBE                 |
| 254      | 22122200/ 0   | 8                    | CUSCINETTO            | BEARING             | COUSSINET           | KUGELLAGER              |
| 255      | 81007317/ 0   | 2                    | RUOTA SCOLPITA ĩ 170  | KNOBBLY WHEEL ĩ 170 | ROUE SCULPTEE ĩ 170 | RAD M. STOLLENPR. ĩ 170 |
| 256      |  |                      | ASSE RUOTE ANTERIORE  | FRONT WHEELS AXLE   | AXE ROUES AVANT     | VORDERRADACHSE          |
| —        | 81001272/ 0   | 1                    | TDL 430 - TDL 430S    | TDL 430 - TDL 430S  | TDL 430 - TDL 430S  | TDL 430 - TDL 430S      |
| —        | 81001274/ 1   | 1                    | TDL 480               | TDL 480             | TDL 480             | TDL 480                 |
| 257      | 12436050/ 0   | 2                    | PIASTRINA             | PLATE               | PLAQUETTE           | PLÄTTCHEN               |
| 258      | 22446180/ 0   | 1                    | MOLLA                 | SPRING              | RESSORT             | FEDER1                  |
| 259      |  |                      | ASTA COMANDO          | ADJUSTMENT ROD      | TIGE COMMANDE       | STELLSTAB               |
| —        | 81001275/ 0   | 1                    | TDL 430               | TDL 430             | TDL 430             | TDL 430                 |
| —        | 81001276/ 0   | 1                    | TDL 480               | TDL 480             | TDL 480             | TDL 480                 |
| 260      | 81001278/ 0   | 1                    | ASSE RUOTE POSTERIORE | REAR WHEELS AXLE    | AXE ROUES ARRIERE   | HINTERRADACHSE          |
| 261      | 22170800/ 0   | 1                    | DISTANZIALE           | SPACER              | ENTRETOISE          | DISTANZRING             |
| 262      | 12154330/ 0   | 2                    | DADO                  | NUT                 | ECROU               | MUTTER                  |
| 263      | 12789000/ 0   | 2                    | VITE                  | SCREW               | VIS                 | SCHRAUBE                |
| 264      | 81003283/ 1   | 1                    | LEVA REGOLAZIONE      | ADJUSTMENT LEVER    | LEVIER REGLAGE      | VERSTELLUNGHEBEL        |
| 265      | 81007318/ 1   | 2                    | RUOTA SCOLPITA Ø 210  | KNOBBLY WHEEL Ø 210 | ROUE SCULPTEE Ø 210 | RAD M. STOLLENPR. Ø 210 |
| 266      |  |                      | COPRIMOZZO            | HUB CAP             | COUVRE-MOYEU        | RADKAPPE                |
| —        | 22110281/ 0   | 2                    | BIANCO                | WHITE               | BLANC               | WEIÙE                   |
| —        | 22110287/ 0   | 2                    | GIALLO                | YELLOW              | JAUNE               | GELBE                   |
| —        | 22110289/ 0   | 2                    | ROSSO                 | RED                 | ROUGE               | ROTE                    |
| 267      | 12530150/ 0   | 4                    | RONDELLA ELASTICA     | ELASTIC WASHER      | RONDELLE ELASTIQUE  | ELASTISCHE SCHEIBE      |

## GRUPPO MOTORE ELETTRICO


## MOTOR ASS.Y

## MOTEUR ELECTRIQUE

## ELEKTROMOTOR

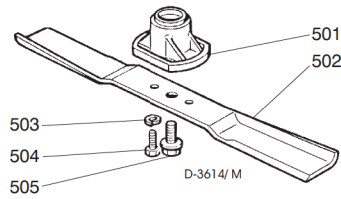
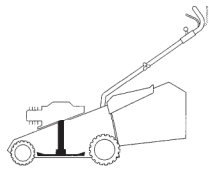


T-3614/ L


|       |   |   |                          |                      |                          |                      |
|-------|---|---|--------------------------|----------------------|--------------------------|----------------------|
| 451   | 22785061/ 0   | 1 | SUPPORTO CAPOTTINA       | COVER SUPPORT        | SUPPORT CAPOT            | HAUBEHALTER          |
| 452   | 12728710/ 0   | 4 | VITE                     | SCREW                | VIS                      | SCHRAUBE             |
| 453   |  |   | MOTORE                   | MOTOR                | MOTEUR                   | MOTOR                |
| —     | 18563068/ 1   | 1 | IBMEI 1300W (230V)       | IBMEI 1300W (230V)   | IBMEI 1300W (230V)       | IBMEI 1300W (230V)   |
| —     | 18563008/ 0   | 1 | RST 1300W (220-230V)     | RST 1300W (220-230V) | RST 1300W (220-230V)     | RST 1300W (220-230V) |
| —     | 18563069/ 1   | 1 | IBMEI 1300W (240V)       | IBMEI 1300W (240V)   | IBMEI 1300W (240V)       | IBMEI 1300W (240V)   |
| —     | 18563061/ 2   | 1 | IBMEI 1600W (230V)       | IBMEI 1600W (230V)   | IBMEI 1600W (230V)       | IBMEI 1600W (230V)   |
| —     | 18563009/ 0   | 1 | RST 1600W (230V)         | RST 1600W (230V)     | RST 1600W (230V)         | RST 1600W (230V)     |
| —     | 18563047/ 2   | 1 | IBMEI 1600W (240V)       | IBMEI 1600W (240V)   | IBMEI 1600W (240V)       | IBMEI 1600W (240V)   |
| 453.1 | 18740049/ 0   | 1 | VENTOLA PER MOTORE IBMEI | IBMEI MOTOR FAN      | VENTILATEUR MOTEUR IBMEI | IBMEI MOTOR LÜFTER   |
| —     | 18740051/ 0   | 1 | VENTOLA PER MOTORE RST   | RST MOTOR FAN        | VENTILATEUR MOTEUR RST   | RST MOTOR LÜFTER     |
| 453.2 | 18222037/ 0   | 1 | CONDENSATORE 16 µF       | CONDENSER 16 µF      | CONDENSEUR 16 µF         | KONDENSATOR 16 µF    |
| —     | 18222038/ 0   | 1 | CONDENSATORE 20 µF       | CONDENSER 20 µF      | CONDENSEUR 20 µF         | KONDENSATOR 20 µF    |
| 454   | 12735410/ 0   | 4 | VITE                     | SCREW                | VIS                      | SCHRAUBE             |
| 455   | 12583500/ 0   | 4 | GROWER                   | GROWER               | GROWER                   | FEDERRING            |
| 456   | 12293200/ 0   | 4 | DADO                     | NUT                  | ECROU                    | MUTTER               |
| 457   | 22207211/ 3   | 1 | FLANGIA                  | FLANGE               | BRIDE                    | FLANSCH              |
| 458   | 22720360/ 1   | 1 | SCHERMO VENTILAZIONE     | VENTILATION SCREEN   | ECRAN VENTILATION        | LÜFTUNGSSCHIRM       |
| 459   | 12793700/ 0   | 4 | VITE                     | SCREW                | VIS                      | SCHRAUBE             |
| 460   | 12139440/ 0   | 1 | LINGUETTA                | FEATHER              | CLAVETTE                 | KEIL                 |

| Pos. Nr. | Codice Code Kodex | Q.tà Q.ty-Q.tè Menge | Descrizione | Description | Description | Beschreibung |
|----------|-------------------|----------------------|-------------|-------------|-------------|--------------|
|----------|-------------------|----------------------|-------------|-------------|-------------|--------------|

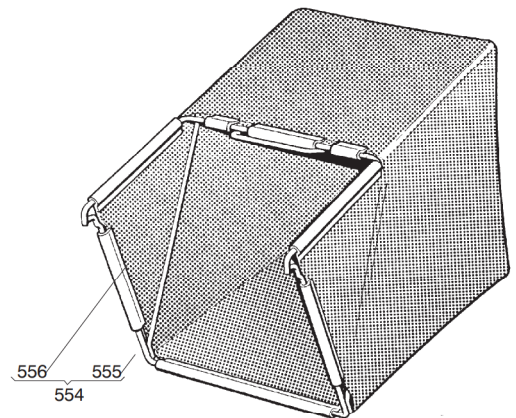
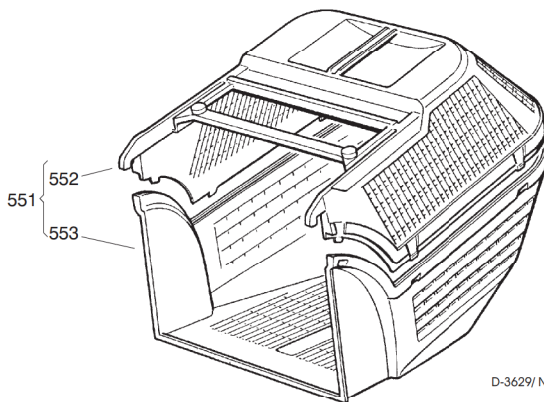
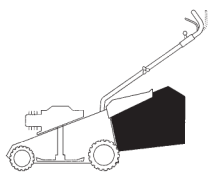
- GRUPPO COLTELLO
- BLADE ASS.Y
- GROUPE LAME
- MESSERSATZ



T-3661/M

|     |   |   |                 |                 |                 |                 |
|-----|---|---|-----------------|-----------------|-----------------|-----------------|
| 501 | 22463186/ 2   | 1 | MOZZO           | HUB             | MOYEU           | NABE            |
| 502 |  |   | COLTELLO        | BLADE           | LAME            | MESSER          |
| —   | 81004341/ 2   | 1 | STANDARD 41 cm. | STANDARD 41 cm. | STANDARD 41 cm. | STANDARD 41 cm. |
| —   | 81004396/ 0   | 1 | ALETTATO 41 cm. | WINGED 41 cm.   | AILETTÉE 41 cm. | FLÜGEL 41 cm.   |
| —   | 81004346/ 2   | 1 | STANDARD 46 cm. | STANDARD 46 cm. | STANDARD 46 cm. | STANDARD 46 cm. |
| —   | 81004397/ 0   | 1 | ALETTATO 46 cm. | WINGED 46 cm.   | AILETTÉE 46 cm. | FLÜGEL 46 cm.   |
| 503 | 12583500/ 0   | 2 | GROWER          | GROWER          | GROWER          | FEDERRING       |
| 504 | 12793101/ 0   | 2 | VITE            | SCREW           | VIS             | SCHRAUBE        |
| 505 | 81004352/ 0   | 1 | VITE            | SCREW           | VIS             | SCHRAUBE        |

- SACCO RACCOGLIERBA
- GRASS-CATCHER
- BAC DE RAMASSAGE
- GRASFANGKORB



T-3629/N

|     |             |   |                       |                            |                       |                 |
|-----|-------------|---|-----------------------|----------------------------|-----------------------|-----------------|
| 551 | 94004000/ 0 | 1 | SACCO COMPLETO        | COMPLETE GRASS-BOX         | BAC COMPLET           | KOMPLETTER KORB |
| 552 | 22486073/ 0 | 1 | PORTE SUPERIORE SACCO | UPPER GRASS-BOX            | PARTIE SUPERIEURE SAC | OBERKORB        |
| 553 | 22486074/ 0 | 1 | PORTE INFERIORE SACCO | LOWER GRASS-BOX            | PARTIE INFERIEURE SAC | UNTERKORB       |
| 554 | 94005000/ 0 | 1 | ASSIEME SACCO TELA    | CANVASS GRASSCATCHER ASS.Y | ENSEMBLE SAC EN TOILE | KOMPLETTER SACK |
| 555 | 81006418/ 0 | 1 | TELAIO                | CHASSIS                    | CHÂSSIS               | RAHMEN          |
| 556 | 81002105/ 2 | 1 | TELA SACCO            | FABRIC BOX                 | TOILE POUR SAC        | TUCK FÜR SACK   |