

TDL 430

TDL 430 S

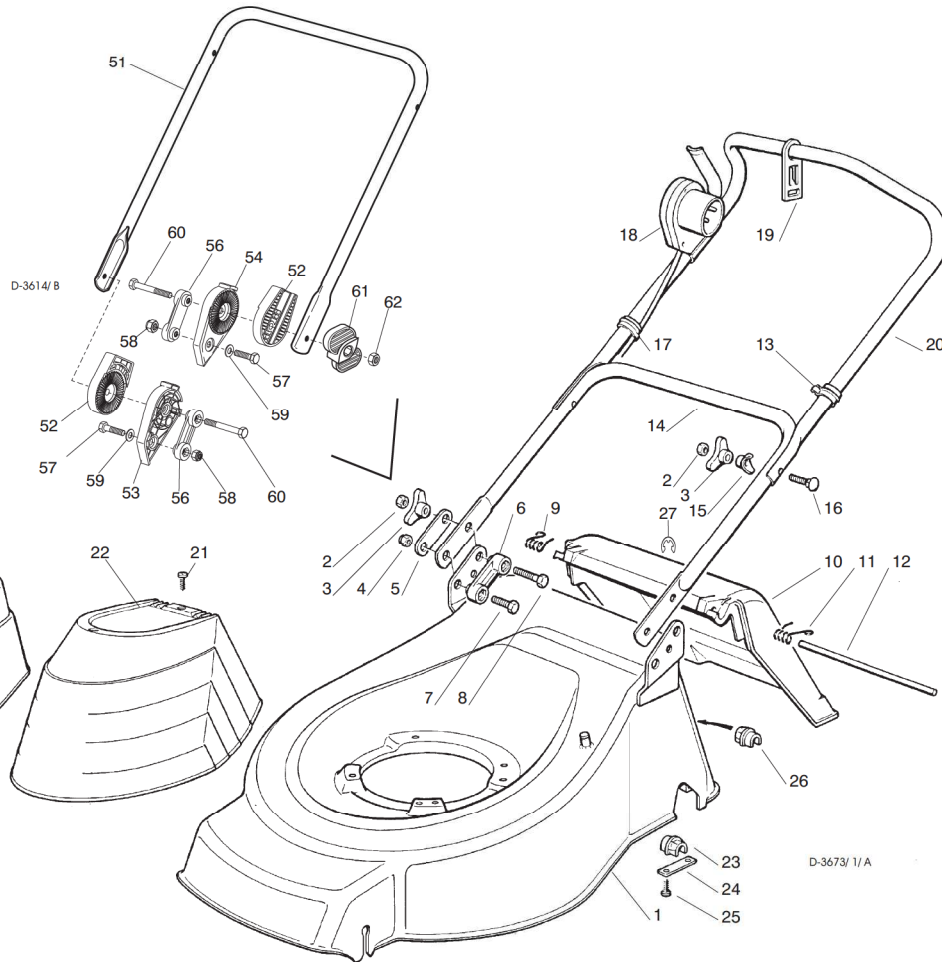
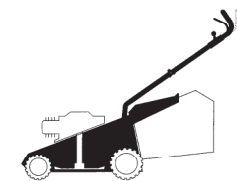
TDL 480

CHASSIS
MANICO
COMANDI
DOTAZIONE VITERIE

DECK
HANDLE
CONTROLS
SCREWS OUTFITS

CHÂSSIS
MANCHERON
COMMANDES
DOTATION VISSERIE

GEHÄUSE
HOLM
BETÄTIGUNGEN
SCRAUBENSATZ



SPARE PARTS CATALOGUE

GB

ERSATZTEILKATALOG

D

CATALOGO DELLE PARTI
DI RICAMBIO

I

CATALOGUE DES PIÈCES
DE RECHANGE

F

T-3673/A

Pos. Nr.	Codice Code Kodex	Q.tà Q.ty-Q.tè Menge	Descrizione	Description	Description	Beschreibung
1			CHASSIS	DECK	CHÂSSIS	GEHÄUSE
-	81001343/0	1	ROSSO TDL 430	RED TDL 430	ROUGE TDL 430	ROTES TDL 430
-	81001353/0	1	GIALLO TDL 430	YELLOW TDL 430	JAUNE TDL 430	GELBES TDL 430
-	81001375/0	1	VERDE TDL 430	GREEN TDL 430	VERT TDL 430	GRÜNES TDL 430
-	81001344/0	1	ROSSO TDL 480	RED TDL 480	ROUGE TDL 480	ROTES DL 480
-	81001355/0	1	GIALLO TDL 480	YELLOW TDL 480	JAUNE TDL 480	GELBES TDL 480
-	81001377/0	1	VERDE TDL 480	GREEN TDL 480	VERT TDL 480	GRÜNES TDL 480
2	12293200/0	4	DADO	NUT	ECROU	MUTTER
3	22399900/0	4	MANOPOLINA	KNOB	POIGNÉE	GRIFF
4	12155000/0	2	DADO	NUT	ECROU	MUTTER
5	22551574/0	2	PIASTRINA ESTERNA	OUTSIDE PLAQUE	PLAQUETTE EXTERNE	INNERE PLATTE
6	22551575/0	2	PIASTRINA INTERNA	INSIDE PLAQUE	PLAQUETTE INTERNE	INNERE PLATTE
7	12793300/0	2	VITE	SCREW	VIS	SCHRAUBE
8	12691115/0	2	VITE	SCREW	VIS	SCHRAUBE
9	22450410/1	1	MOLLA DESTRA	RIGHT SPRING	RESSORT DROITE	RECHTE FEDER
10	22600046/1	1	PARASASSI	STONE-GUARD	PARE-PIERRES	PRALLBLECH
11	22450420/1	1	MOLLA SINISTRA	LEFT SPRING	RESSORT GAUCHE	LINKE FEDER
12	22517906/1	1	PERNO	PIN	PIVOT	BOLZEN
13	22192151/0	1	FERMACAVO	FAIR LEAD	FIXATION CABLE	KABELBEFESTIGUNG
14	81006512/0	1	PORTE INFERIORE MANICO	LOWER HANDLE	PARTIE INF. MANCHERON	UNTERKORB
15	22680006/1	2	RONDELLA	WASHER	RONDELLE	SCHEIBE
16	12819201/0	2	VITE	SCREW	VIS	SCHRAUBE
17	22192000/1	2	FASCETTA ANCORAGGIO	ANCHOR CLAMP	COLLIER ANCRAGE	BOWDENZUGHALTER

Pos. Nr.	Codice Code Kodex	Q.tà Q.ty-Q.tè Menge	Descrizione	Description	Description	Beschreibung
18			SALVAMOTORE M.M. SOLO PER SVIZZERA	DEAD HAND SWITCH M.M. ONLY FOR SWITZERLAND	INT. MAIN MORTE SEUL. POUR LA SUISSE	TOT MANSCHALTER M.M. NUR FÜR SCHWEIZ
-	18710562/0	1	8,5 A 602 MS (1300W IBMEI)	8,5 A 602 MS (1300W IBMEI)	8,5 A 602 MS (1300W IBMEI)	8,5 A 602 MS (1300W IBMEI)
-	18710563/0	1	8,5 A 603 MS (1300W IBMEI)	8,5 A 603 MS (1300W IBMEI)	8,5 A 603 MS (1300W IBMEI)	8,5 A 603 MS (1300W IBMEI)
			SOLO PER SVIZZERA	ONLY FOR SWITZERLAND	SEUL. POUR LA SUISSE	NUR FÜR SCHWEIZ
-	18710624/1	1	8,5 A 607 MS (1300W IBMEI)	8,5 A 607 MS (1300W IBMEI)	8,5 A 607 MS (1300W IBMEI)	8,5 A 607 MS (1300W IBMEI)
-	18710628/0	1	10 A 607 MS (1600W)	10 A 607 MS (1600W)	10 A 607 MS (1600W)	10 A 607 MS (1600W)
-	18710604/0	1	10 A 602 MS (1600W)	10 A 602 MS (1600W)	10 A 602 MS (1600W)	10 A 602 MS (1600W)
-	18710572/0	1	10 A 603 MS (1600W)	10 A 603 MS (1600W)	10 A 603 MS (1600W)	10 A 603 MS (1600W)
			SOLO PER SVIZZERA	ONLY FOR SWITZERLAND	SEUL. POUR LA SUISSE	NUR FÜR SCHWEIZ
19	22195101/1	1	FERMACAVO	FAIR LEAD	FIXATION CABLE	KABELBEFESTIGUNG
20	81007017/1	1	PORTE SUPERIORE MANICO	UPPER HANDLE	PARTIE SUP. MANCHERON	OBERKORB
21	12728680/0	2	VITE	SCREW	VIS	SCHRAUBE
22	22055033/1	1	CAPOTTINA	COVER	CAPOT	HAUSE
22A	22055045/1	1	CAPOTTINA	COVER	CAPOT	HAUSE
23	22038403/0	1	BRONZINA SINISTRA	LEFT BUSH	DOUILLE GAUCHE	LINKE BUCHSE
24	22545142/0	2	PIASTRINA	PLATE	PLAQUETTE	PLATTE
25	12731350/0	4	VITE	SCREW	VIS	SCHRAUBE
26	22038402/0	1	BRONZINA DESTRA	RIGHT BUSH	DOUILLE DROITE	RECHTE BUCHSE
27	12000930/0	1	ANELLO ELASTICO	SNAP RING	ANNEAU RESSORT	SPRENGRING
-	81008596/1		DOTAZIONE VITERIA	SCREWS OUTFIT	DOTATION VISSERIE	SCHRAUBEN SATZ

VARIANTE REGOLAZIONE MANICO	HANDLE ADJUSTMENT VARIANT	VARIANTE REGLAGE POIGNEE	GRIFFEINSTELLVARIANTE
-----------------------------	---------------------------	--------------------------	-----------------------

T-3614/B

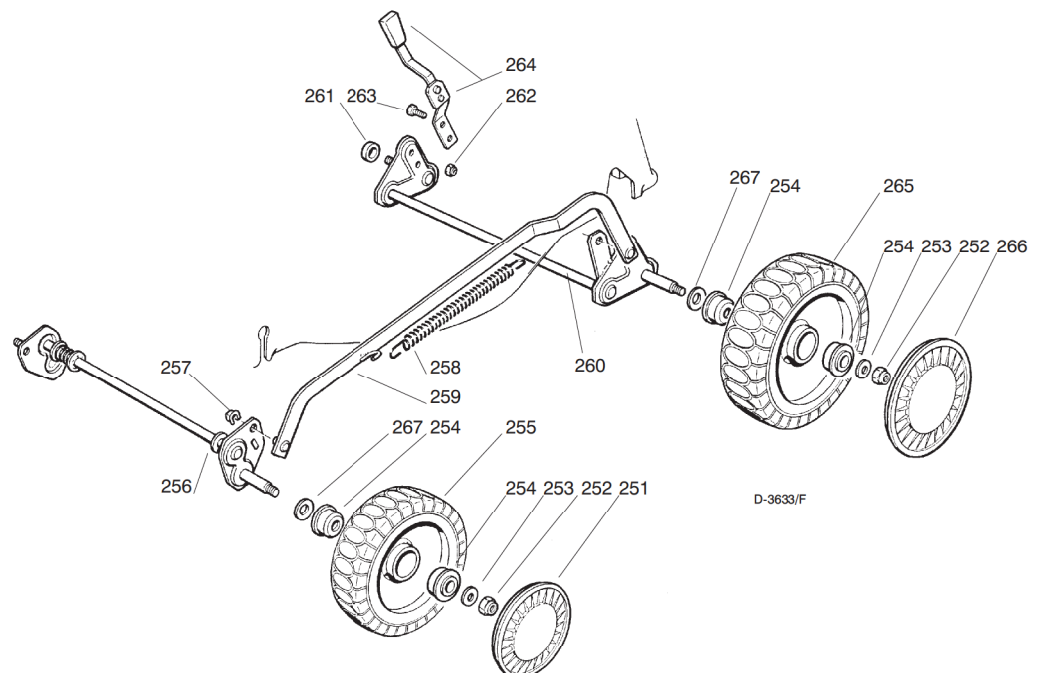
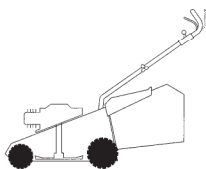
51	81006510/0	1	PORTE INF. MANICO	LOWER HANDLE	PARTIE INF. MANCHERON	UNTERHOLM
52	22785081/0	2	SUPPORTO ESTERNO	EXTERNAL SUPPORT	SUPPORT EXTERNE	AUßERE HALTERUNG
53	22785082/0	1	SUPPORTO INTERNO DX	R. INTERNAL SUPPORT	SUPPORT INTERNE DROIT	INNERE HALTERUNG RECHTS
54	22785083/1	1	SUPPORTO INTERNO SX	L. INTERNAL SUPPORT	SUPPORT INTERNE GAUCHE	INNERE HALTERUNG LINKS
56	22551575/0	2	PIASTRINA INTERNA	INSIDE PLAQUE	PLAQUETTE INTERNE	INNERE PLATTE
57	12793701/0	2	VITE	SCREW	VIS	SCHRAUBE
58	12155000/0	2	DADO	NUT	ECROU	MUTTER
59	12521350/0	2	RONDELLA	WASHER	RONDELLE	SCHEIBE
60	12691810/0	2	MANOPOLINA	KNOB	POIGNÉE	GRIFF
62	12293202/0	2	DADO	NUT	ECROU	MUTTER
-	81008622/0	1	DOTAZ. VITERIA	SCREWS OUTFIT	DOTATION VISSERIE	SCHRAUBEN SATZ

RUOTE E REGOLAZIONE

WHEELS AND HEIGHT ADJUSTING




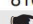
ROUES ET REGLAGE HAUTEUR DE COUPE

RÄDER UND SCHNITTHÖHEVERSTELLUNG



D-3633/F

T-3633/ F

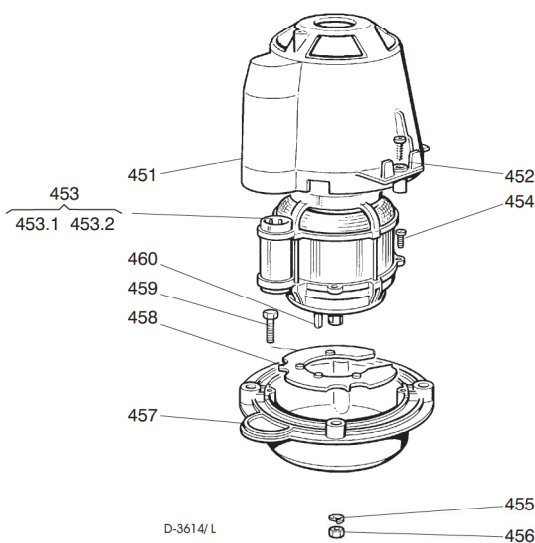
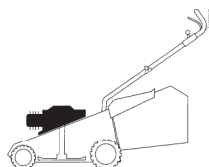
Pos. Nr.	Codice Code Kodex	Q.tà Q.ty-Q.tè Menge	Descrizione	Description	Description	Beschreibung
251			COPRIMOZZO	HUB CAP	COUVRE-MOYEU	RADKAPPE
—	22110282/ 0	2	BIANCO	WHITE	BLANC	WEIÙE
—	22110288/ 0	2	GIALLO	YELLOW	JAUNE	GELBE
—	22110290/ 0	2	ROSSO	RED	ROUGE	ROTE
252	12155000/ 0	4	DADO	NUT	ECROU	MUTTER
253	12521350/ 0	4	RONDELLA	WASHER	RONDELLE	SCHIEBE
254	22122200/ 0	8	CUSCINETTO	BEARING	COUSSINET	KUGELLAGER
255	81007317/ 0	2	RUOTA SCOLPITA ĩ 170	KNOBBLY WHEEL ĩ 170	ROUE SCULPTEE ĩ 170	RAD M. STOLLENPR. ĩ 170
256			ASSE RUOTE ANTERIORE	FRONT WHEELS AXLE	AXE ROUES AVANT	VORDERRADACHSE
—	81001272/ 0	1	TDL 430 - TDL 430S	TDL 430 - TDL 430S	TDL 430 - TDL 430S	TDL 430 - TDL 430S
—	81001274/ 1	1	TDL 480	TDL 480	TDL 480	TDL 480
257	12436050/ 0	2	PIASTRINA	PLATE	PLAQUETTE	PLÄTTCHEN
258	22446180/ 0	1	MOLLA	SPRING	RESSORT	FEDER1
259			ASTA COMANDO	ADJUSTMENT ROD	TIGE COMMANDE	STELLSTAB
—	81001275/ 0	1	TDL 430	TDL 430	TDL 430	TDL 430
—	81001276/ 0	1	TDL 480	TDL 480	TDL 480	TDL 480
260	81001278/ 0	1	ASSE RUOTE POSTERIORE	REAR WHEELS AXLE	AXE ROUES ARRIERE	HINTERRADACHSE
261	22170800/ 0	1	DISTANZIALE	SPACER	ENTRETOISE	DISTANZRING
262	12154330/ 0	2	DADO	NUT	ECROU	MUTTER
263	12789000/ 0	2	VITE	SCREW	VIS	SCHRAUBE
264	81003283/ 1	1	LEVA REGOLAZIONE	ADJUSTMENT LEVER	LEVIER REGLAGE	VERSTELLUNGHEBEL
265	81007318/ 1	2	RUOTA SCOLPITA Ø 210	KNOBBLY WHEEL Ø 210	ROUE SCULPTEE Ø 210	RAD M. STOLLENPR. Ø 210
266			COPRIMOZZO	HUB CAP	COUVRE-MOYEU	RADKAPPE
—	22110281/ 0	2	BIANCO	WHITE	BLANC	WEIÙE
—	22110287/ 0	2	GIALLO	YELLOW	JAUNE	GELBE
—	22110289/ 0	2	ROSSO	RED	ROUGE	ROTE
267	12530150/ 0	4	RONDELLA ELASTICA	ELASTIC WASHER	RONDELLE ELASTIQUE	ELASTISCHE SCHEIBE

GRUPPO MOTORE ELETTRICO


MOTOR ASS.Y

MOTEUR ELECTRIQUE

ELEKTROMOTOR

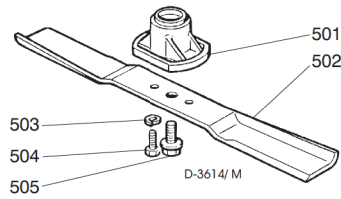
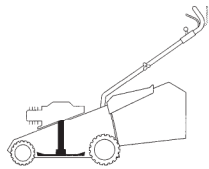


T-3614/ L

451	22785061/ 0	1	SUPPORTO CAPOTTINA	COVER SUPPORT	SUPPORT CAPOT	HAUBEHALTER
452	12728710/ 0	4	VITE	SCREW	VIS	SCHRAUBE
453			MOTORE	MOTOR	MOTEUR	MOTOR
—	18563068/ 1	1	IBMEI 1300W (230V)	IBMEI 1300W (230V)	IBMEI 1300W (230V)	IBMEI 1300W (230V)
—	18563008/ 0	1	RST 1300W (220-230V)	RST 1300W (220-230V)	RST 1300W (220-230V)	RST 1300W (220-230V)
—	18563069/ 1	1	IBMEI 1300W (240V)	IBMEI 1300W (240V)	IBMEI 1300W (240V)	IBMEI 1300W (240V)
—	18563061/ 2	1	IBMEI 1600W (230V)	IBMEI 1600W (230V)	IBMEI 1600W (230V)	IBMEI 1600W (230V)
—	18563009/ 0	1	RST 1600W (230V)	RST 1600W (230V)	RST 1600W (230V)	RST 1600W (230V)
—	18563047/ 2	1	IBMEI 1600W (240V)	IBMEI 1600W (240V)	IBMEI 1600W (240V)	IBMEI 1600W (240V)
453.1	18740049/ 0	1	VENTOLA PER MOTORE IBMEI	IBMEI MOTOR FAN	VENTILATEUR MOTEUR IBMEI	IBMEI MOTOR LÜFTER
—	18740051/ 0	1	VENTOLA PER MOTORE RST	RST MOTOR FAN	VENTILATEUR MOTEUR RST	RST MOTOR LÜFTER
453.2	18222037/ 0	1	CONDENSATORE 16 µF	CONDENSER 16 µF	CONDENSEUR 16 µF	KONDENSATOR 16 µF
—	18222038/ 0	1	CONDENSATORE 20 µF	CONDENSER 20 µF	CONDENSEUR 20 µF	KONDENSATOR 20 µF
454	12735410/ 0	4	VITE	SCREW	VIS	SCHRAUBE
455	12583500/ 0	4	GROWER	GROWER	GROWER	FEDERRING
456	12293200/ 0	4	DADO	NUT	ECROU	MUTTER
457	22207211/ 3	1	FLANGIA	FLANGE	BRIDE	FLANSCH
458	22720360/ 1	1	SCHERMO VENTILAZIONE	VENTILATION SCREEN	ECRAN VENTILATION	LÜFTUNGSSCHIRM
459	12793700/ 0	4	VITE	SCREW	VIS	SCHRAUBE
460	12139440/ 0	1	LINGUETTA	FEATHER	CLAVETTE	KEIL

Pos. Nr.	Codice Code Kodex	Q.tà Q.ty-Q.tè Menge	Descrizione	Description	Description	Beschreibung
----------	-------------------	----------------------	-------------	-------------	-------------	--------------

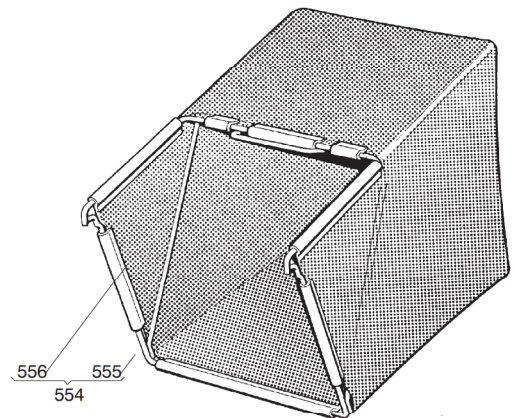
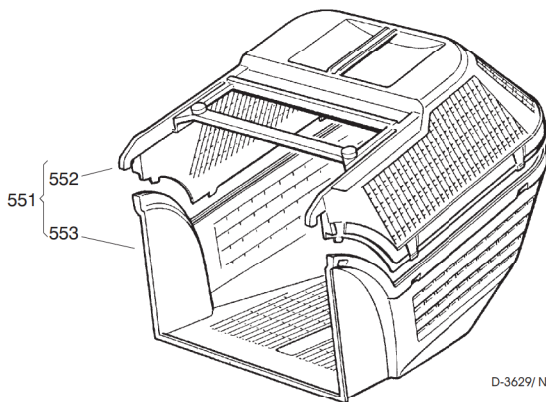
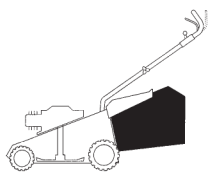
- GRUPPO COLTELLO
- BLADE ASS.Y
- GROUPE LAME
- MESSERSATZ



T-3661/M

501	22463186/ 2	1	MOZZO	HUB	MOYEU	NABE
502			COLTELLO	BLADE	LAME	MESSER
—	81004341/ 2	1	STANDARD 41 cm.	STANDARD 41 cm.	STANDARD 41 cm.	STANDARD 41 cm.
—	81004396/ 0	1	ALETTATO 41 cm.	WINGED 41 cm.	AILETTÉE 41 cm.	FLÜGEL 41 cm.
—	81004346/ 2	1	STANDARD 46 cm.	STANDARD 46 cm.	STANDARD 46 cm.	STANDARD 46 cm.
—	81004397/ 0	1	ALETTATO 46 cm.	WINGED 46 cm.	AILETTÉE 46 cm.	FLÜGEL 46 cm.
503	12583500/ 0	2	GROWER	GROWER	GROWER	FEDERRING
504	12793101/ 0	2	VITE	SCREW	VIS	SCHRAUBE
505	81004352/ 0	1	VITE	SCREW	VIS	SCHRAUBE

- SACCO RACCOGLIERBA
- GRASS-CATCHER
- BAC DE RAMASSAGE
- GRASFANGKORB



T-3629/N

551	94004000/ 0	1	SACCO COMPLETO	COMPLETE GRASS-BOX	BAC COMPLET	KOMPLETTER KORB
552	22486073/ 0	1	PORTE SUPERIORE SACCO	UPPER GRASS-BOX	PARTIE SUPERIEURE SAC	OBERKORB
553	22486074/ 0	1	PORTE INFERIORE SACCO	LOWER GRASS-BOX	PARTIE INFERIEURE SAC	UNTERKORB
554	94005000/ 0	1	ASSIEME SACCO TELA	CANVASS GRASSCATCHER ASS.Y	ENSEMBLE SAC EN TOILE	KOMPLETTER SACK
555	81006418/ 0	1	TELAIO	CHASSIS	CHÂSSIS	RAHMEN
556	81002105/ 2	1	TELA SACCO	FABRIC BOX	TOILE POUR SAC	TUCK FÜR SACK