

TD 430

TD 430 S

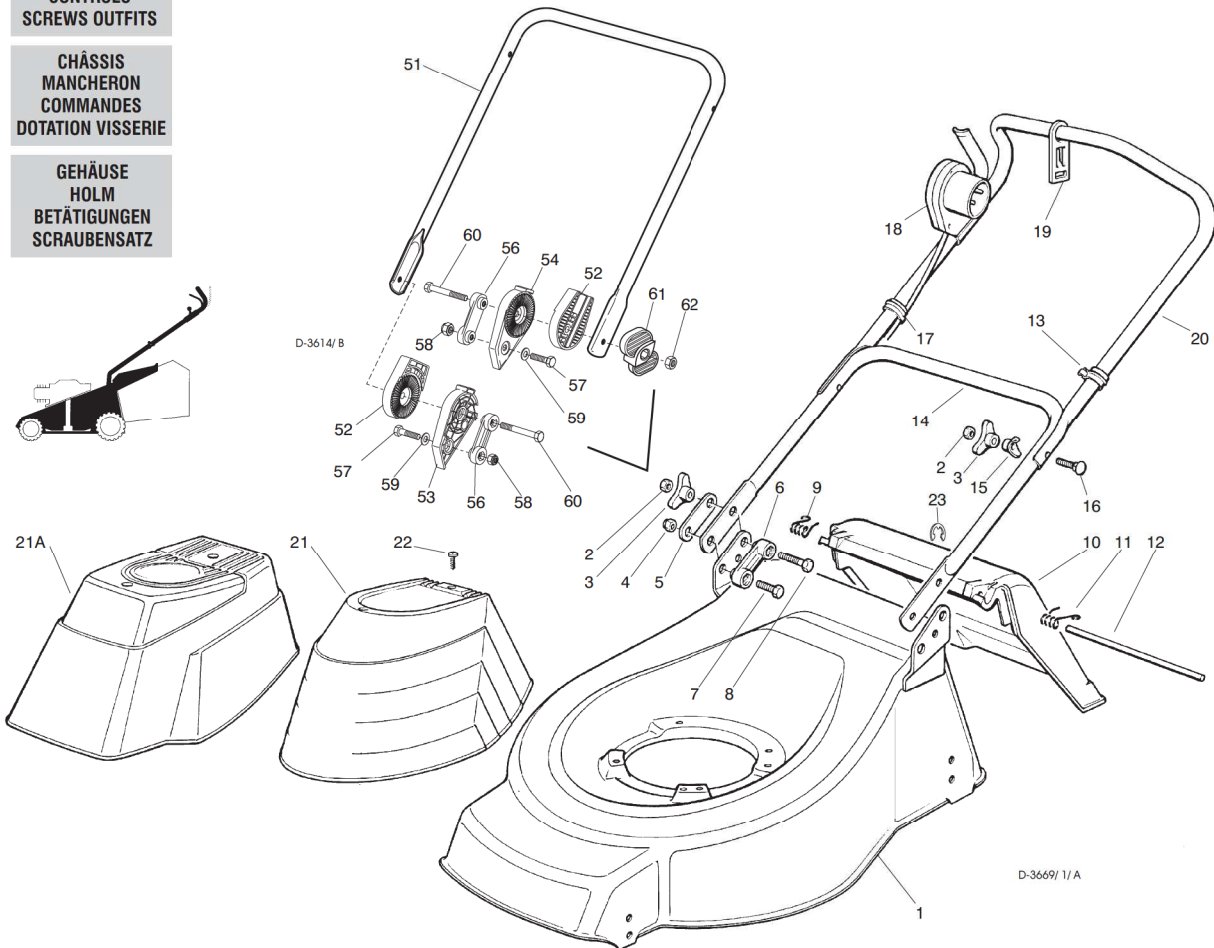
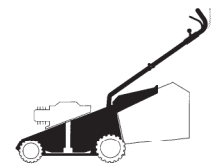
TD 480

**CHASSIS
MANICO
COMANDI
DOTAZIONE VITERIE**

**DECK
HANDLE
CONTROLS
SCREWS OUTFITS**

**CHÂSSIS
MANCHERON
COMMANDES
DOTATION VISSERIE**

**GEHÄUSE
HOLM
BETÄTIGUNGEN
SCRAUBENSATZ**



SPARE PARTS CATALOGUE

GB

ERSATZTEILKATALOG

D

**CATALOGO DELLE PARTI
DI RICAMBIO**

I

**CATALOGUE DES PIÈCES
DE RECHANGE**

F

T-3669/1/A

Pos. Nr.	Codice Code Kodex	Q.tà Q.ty-Q.tè Menge	Descrizione	Description	Description	Beschreibung
1			CHASSIS	DECK	CHÂSSIS	GEHÄUSE
—	81001338/0	1	ROSSO TD 430	RED TD 430	ROUGE TD 430	ROTES TD 430
—	81001348/0	1	GIALLO TD 430	YELLOW TD 430	JAUNE TD430	GELBES TD 430
—	81001370/0	1	VERDE TD 430	GREEN TD 430	VERT TD 430	GRÜNES TD 430
—	81001339/0	1	ROSSO TD 480	RED TD 480	ROUGE TD 480	ROTES TD 480
—	81001350/0	1	GIALLO TD 480	YELLOW TD 480	JAUNE TD 480	GELBES TD 480
—	81001372/0	1	VERDE TD 480	GREEN TD 480	VERT TD 480	GRÜNES TD 480
2	12293200/0	4	DADO	NUT	ECROU	MUTTER
3	22399900/0	4	MANOPOLINA	KNOB	POIGNÉE	GRIF
4	12155000/0	2	DADO	NUT	ECROU	MUTTER
5	22551574/0	2	PIASTRINA ESTERNA	OUTSIDE PLAQUE	PLAQUETTE EXTERNE	INNERE PLATTE
6	22551575/0	2	PIASTRINA INTERNA	INSIDE PLAQUE	PLAQUETTE INTERNE	INNERE PLATTE
7	12793300/0	2	VITE	SCREW	VIS	SCHRAUBE
8	12691115/0	2	VITE	SCREW	VIS	SCHRAUBE
9	22450410/1	1	MOLLA DX	RIGHT SPRING	RESSORT DROITE	RECHTE FEDER
10	22600046/1	1	PARASASSI	STONE-GUARD	PARE-PIERRES	PRALLBLECH
11	22450420/1	1	MOLLA SX	LEFT SPRING	RESSORT GAUCHE	LINKE FEDER
12	22517906/1	1	PERNO	PIN	PIVOT	BOLZEN
13	22192151/0	1	FERMACAVO	FAIRLEAD	FIXATION CABLE	KABELBEFESTIGUNG
14	81006512/0	1	PARTE INF. MANICO	LOWER HANDLE	PARTIE INF. MANCHERON	UNTERHOLM
15	22680006/1	2	RONDELLA	WASHER	RONDELLE	SCHEIBE
16	12819201/0	2	VITE	SCREW	VIS	SCHRAUBE
17	22192000/1	1	FASCETTA ANCORAGGIO	ANCHOR CLAMP	COLLIER ANCRAGE	BOWDENZUGHALTER
18			SALVAMOTORE M.M.	DEAD HAND SWITCH	INT. MAIN MORTE	TOT MANSCHALTER
—	18710562/0	1	8,5 A 602 MS (1300W IBMEI/ RST)	8,5 A 602 MS (1300W IBMEI/ RST)	8,5 A 602 MS (1300W IBMEI/ RST)	8,5 A 602 MS (1300W IBMEI/ RST)

Pos. Nr.	Codice Code Kodex	Q.tà Q.ty-Q.tè Menge	Descrizione	Description	Description	Beschreibung
—	18710563/0	1	8,5 A 603 MS (1300W IBMEI/ RST) SOLO PER SVIZZERA	8,5 A 607 MS (1300W IBMEI/ RST) ONLY FOR SWITZERLAND	8,5 A 607 MS (1300W IBMEI/ RST) SEULEMENT POUR LA SUISSE	8,5 A 607 MS (1300W IBMEI/ RST) NUR FÜR SCHWEIZ
—	18710624/1	1	8,5 A 607 MS (1300W IBMEI)	8,5 A 607 MS (1300W IBMEI)	8,5 A 607 MS (1300W IBMEI)	8,5 A 607 MS (1300W IBMEI)
—	18710604/0	1	10 A 602 MS (1600W IBMEI/ RST)	10 A 602 MS (1600W IBMEI/ RST)	10 A 602 MS (1600W IBMEI/ RST)	10 A 602 MS (1600W IBMEI/ RST)
—	18710572/0	1	10 A 603 MS (1600W IBMEI/ RST) SOLO PER SVIZZERA	10 A 603 MS (1600W IBMEI/ RST) ONLY FOR SWITZERLAND	10 A 603 MS (1600W IBMEI/ RST) SEULEMENT POUR LA SUISSE	10 A 603 MS (1600W IBMEI/ RST) NUR FÜR SCHWEIZ
—	18710628/0	1	10 A 607 MS (1600W IBMEI)	10 A 607 MS (1600W IBMEI)	10 A 607 MS (1600W IBMEI)	10 A 607 MS (1600W IBMEI)
19	22195101/1	1	FERMACAVO	FAIR LEAD	FIXATION CABLE	KABELBEFESTIGUNG
20	81007017/1	1	PARTE SUP. MANICO	UPPER HANDLE	PARTIE SUP. MANCHERON	OBERHOLM
21	22055033/1	1	CAPOTTINA	COVER	CAPOT	HAUBE
21A	22055045/1	1	CAPOTTINA	COVER	CAPOT	HAUBE
22	12728680/0	2	VITE	SCREW	VIS	SCHRAUBE
23	12000930/0	1	ANELLO ELASTICO	SNAP RING	ANNEAU RESSORT	SPRENGRING
—	81008596/1	1	DOTAZ. VITERIA	SCREWS OUTFIT	DOTATION VISSERIE	SCHRAUBEN SATZ

	VARIANTE REGOLAZIONE MANICO	HANDLE ADJUSTMENT VARIANT	VARIANTE REGLAGE POIGNEE	GRIFFEINSTELLVARIANTE
51	PARTE INF. MANICO	LOWER HANDLE	PARTIE INF. MANCHERON	UNTERHOLM
52	SUPPORTO ESTERNO	EXTERNAL SUPPORT	SUPPORT EXTERNE	AUßERE HALTERUNG
53	SUPPORTO INTERNO DX	R. INTERNAL SUPPORT	SUPPORT INTERNE DROIT	INNERE HALTERUNG RECHTS
54	SUPPORTO INTERNO SX	L. INTERNAL SUPPORT	SUPPORT INTERNE GAUCHE	INNERE HALTERUNG LINKS
56	PIASTRINA INTERNA	INSIDE PLAQUE	PLAQUETTE INTERNE	INNERE PLATTE
57	VITE	SCREW	VIS	SCHRAUBE
58	DADO	NUT	ECROU	MUTTER
59	RONDELLA	WASHER	RONDELLE	SCHEIBE
60	VITE	SCREW	VIS	SCHRAUBE
61	MANOPOLINA	KNOB	POIGNÉE	GRIFF
62	DADO	NUT	ECROU	MUTTER
—	DOTAZ. VITERIA	SCREWS OUTFIT	DOTATION VISSERIE	SCHRAUBEN SATZ

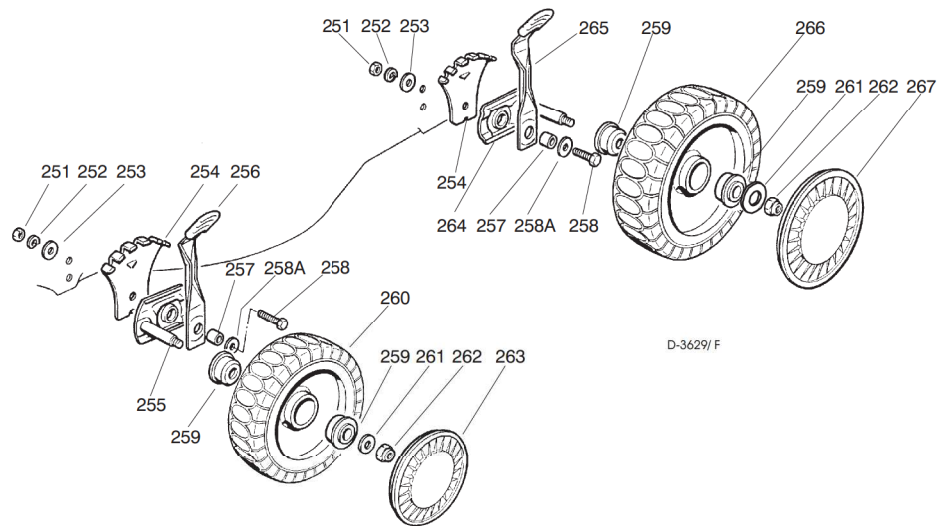
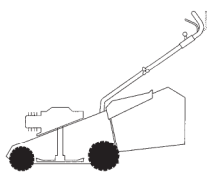
T-3614/ B

RUOTE E REGOLAZIONE

WHEELS AND HEIGHT ADJUSTING

ROUES ET REGLAGE HAUTER DE COUPE

RÄDER UND SCHNITTHÖHEVERSTELLUNG



T-3669/ 1/ F

251	12293200/0	4	DADO	NUT	ECROU	MUTTER
252	12583500/0	4	GROWER	GROWER	GROWER	FEDERRING
253	12523070/0	4	RONDELLA	WASHER	RONDELLE	SCHEIBE
254	22735547/0	4	SETTORE REGOLAZIONE	ADJUSTMENT SECTOR	SECTEUR REGLAGE	VERSTELLUNGSEKTOR
255	81005082/0	2	SUPPORTO RUOTA	WHEEL SUPPORT	SUPPORT ROUE	RADHALTER
256	81003285/1	2	LEVA REGOLAZIONE	ADJUSTMENT LEVER	LEVIER REGLAGE	VERSTELLUNGHEBEL
257	22171001/0	4	DISTANZIALE	SPACER	ENTRETOISE	DISTANZRING
258	12793701/0	4	VITE	SCREW	VIS	SCHRAUBE
258A	12521350/0	4	RONDELLA	WASHER	RONDELLE	SCHEIBE
259	22034508/0	8	BOCCOLA	BUSH	DOUILLE	BUCHSE
260	81007317/0	2	RUOTA SCOLPITA Ø 170	KNOBBLY WHEEL Ø 170	ROUE SCULPTEE Ø 170	RAD M. STOLLENPR. Ø 170
261	12523060/0	4	RONDELLA	WASHER	RONDELLE	SCHEIBE
262	12155000/0	4	DADO	NUT	ECROU	MUTTER
263	—	—	COPRIMOZZO	HUB CAP	COUVRE-MOYEU	RADKAPPE
—	22110282/0	2	BIANCO	WHITE	BLANC	WEIßE
—	22110288/0	2	GIALLO	YELLOW	JAUNE	GELB
—	22110290/0	2	ROSSO	RED	ROUGE	ROTE

T-3665/ F

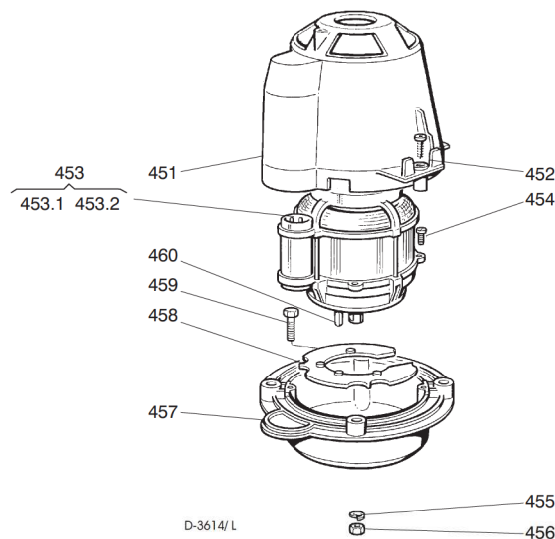
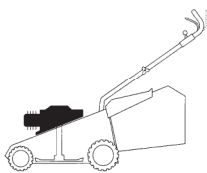
Pos. Nr.	Codice Code Kodex	Q.tà Q.ty-Q.tè Menge	Descrizione	Description	Description	Beschreibung
264	81005084/ 0	2	SUPPORTO RUOTA	WHEEL SUPPORT	SUPPORT ROUE	RADHALTER
265	81003286/ 0	2	LEVA REGOLAZIONE	ADJUSTMENT LEVER	LEVIER REGLAGE	VERSTELLUNGHEBEL
266	81007318/ 1	2	RUOTA SCOLPITA Ø 210	KNOBBLY WHEEL Ø 210	ROUE SCULPTEE Ø 210	RAD M. STOLLENPR. Ø 210
267	●		COPRIMOZZO	HUB CAP	COUVRE-MOYEU	RADKAPPE
—	22110281/ 0	2	BIANCO	WHITE	BLANC	WEIßE
—	22110287/ 0	2	GIALLO	YELLOW	JAUNE	GELB
—	22110289/ 0	2	ROSSO	RED	ROUGE	ROTE

GRUPPO MOTORE ELETTRICO

MOTOR ASS.Y

MOTEUR ELECTRIQUE

ELEKTROMOTOR



T-3614/ L

451	22785061/ 0	1	SUPPORTO CAPOTTINA	COVER SUPPORT	SUPPORT CAPOT	HAUBEHALTER
452	12728710/ 0	4	VITE	SCREW	VIS	SCHRAUBE
453	●		MOTORE	MOTOR	MOTEUR	MOTOR
—	18563068/ 1	1	IBMEI 1300W (230V)	IBMEI 1300W (230V)	IBMEI 1300W (230V)	IBMEI 1300W (230V)
—	18563008/ 0	1	RST 1300W (220-230V)	RST 1300W (220-230V)	RST 1300W (220-230V)	RST 1300W (220-230V)
—	18563069/ 1	1	IBMEI 1300W (240V)	IBMEI 1300W (240V)	IBMEI 1300W (240V)	IBMEI 1300W (240V)
—	18563061/ 2	1	IBMEI 1600W (230V)	IBMEI 1600W (230V)	IBMEI 1600W (230V)	IBMEI 1600W (230V)
—	18563009/ 0	1	RST 1600W (230V)	RST 1600W (230V)	RST 1600W (230V)	RST 1600W (230V)
—	18563047/ 2	1	IBMEI 1600W (240V)	IBMEI 1600W (240V)	IBMEI 1600W (240V)	IBMEI 1600W (240V)
453.1	●		VENTOLA	FAN	VENTILATEUR	LÜFTER
—	18740049/ 0	1	PER MOTORE IBMEI	IBMEI MOTOR	MOTEUR IBMEI	IBMEI MOTOR
—	18740051/ 0	1	PER MOTORE RST	RST MOTOR	MOTEUR RST	RST MOTOR
453.1	●		CONDENSATORE	CONDENSER	CONDENSEUR	KONDENSATOR
—	18222037/ 0	1	16 µF	16 µF	16 µF	16 µF
—	18222038/ 0	1	20 µF	20 µF	20 µF	20 µF
454	12735410/ 0	4	VITE	SCREW	VIS	SCHRAUBE
455	12583500/ 0	4	GROWER	GROWER	GROWER	FEDERRING
456	12293200/ 0	4	DADO	NUT	ECROU	MUTTER
457	22207211/ 3	1	FLANGIA	FLANGE	BRIDE	FLANSCH
458	22720360/ 1	1	SCHERMO VENTILAZIONE	VENTILATION SCREEN	ECRAN VENTILATION	LÜFTUNGSSCHIRM
459	12793700/ 0	4	VITE	SCREW	VIS	SCHRAUBE
460	12139440/ 0	1	LINGUETTA	FEATHER	CLAVETTE	KEIL

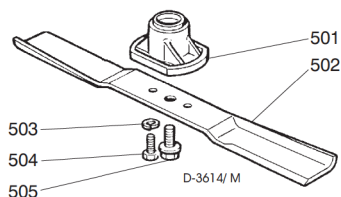
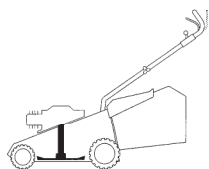
Pos. Nr.	Codice Code Kodex	Q.tà Q.ty-Q.tè Menge	Descrizione	Description	Description	Beschreibung
----------	-------------------	----------------------	-------------	-------------	-------------	--------------

GRUPPO COLTELLO

BLADE ASS.Y

GROUPE LAME

MESSERSATZ



T-3661/M

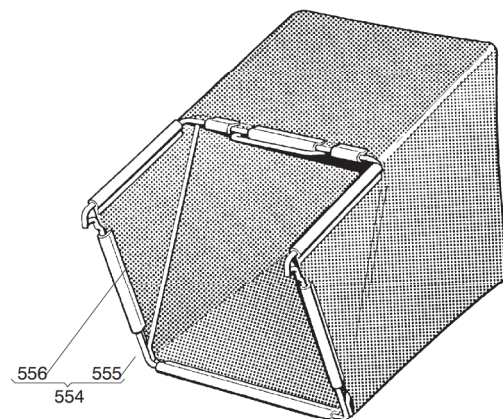
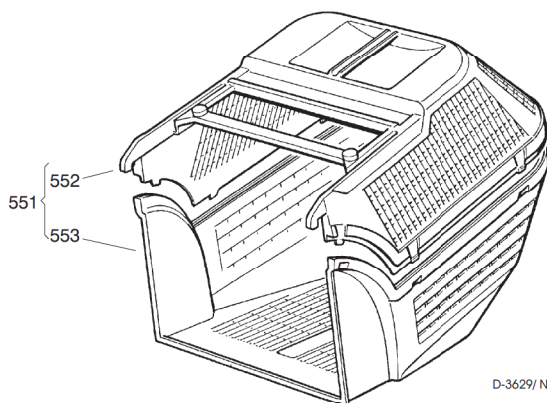
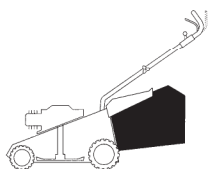
501	22463186/ 2	1	MOZZO	HUB	MOYEU	NABE
502	81004341/ 2	1	COLTELLO STANDARD 41 cm.	STANDARD BLADE 41 cm.	LAME STANDARD 41 cm.	STANDARD MESSER 41 cm.
—	81004396/ 0	1	COLTELLO ALETTATO 41 cm.	WINGED BLADE 41 cm.	LAME AILETTÉE 41 cm.	FLÜGELMESSER 41 cm.
—	81004346/ 2	1	COLTELLO STANDARD 46 cm.	STANDARD BLADE 46 cm.	LAME STANDARD 46 cm.	STANDARD MESSER 46 cm.
—	81004397/ 0	1	COLTELLO ALETTATO 46 cm.	WINGED BLADE 46 cm.	LAME AILETTÉE 46 cm.	FLÜGELMESSER 46 cm.
503	12583500/ 0	2	GROWER	GROWER	GROWER	FEDERRING
504	12793101/ 0	2	VITE	SCREW	VIS	SCHRAUBE
505	81004352/ 0	1	VITE	SCREW	VIS	SCHRAUBE

SACCO RACCOGLIERBA

GRASS-CATCHER

BAC DE RAMASSAGE

GRASFANGKORB



T-3629/N

551	94004000/ 1	1	SACCO COMPLETO	COMPLETE GRASS-BOX	SAC COMPLET	KOMPLETTER KORB
552	22486073/ 0	1	PARTE SUP. SACCO	UPPER GRASS BOX	PARTIE SUP. SAC	OBERKORB
553	22486074/ 0	1	PARTE INF. SACCO	LOWER GRASS BOX	PARTIE INF. SAC	UNTERKORB
554	94005000/ 0	1	ASS. SACCO IN TELA	CANVASS GRASSCATCHER	ENSEMBLE SAC EN TOILE	KOMPLETTER SACK
555	81006418/ 0	1	TELAIO	CHASSIS	CHÂSSIS	RAHMEN
556	81002105/ 2	1	TELA SACCO	FABRIC BOX	TOILE POUR SAC	TUCK FÜR SACK