

NG 410

NG 410 S

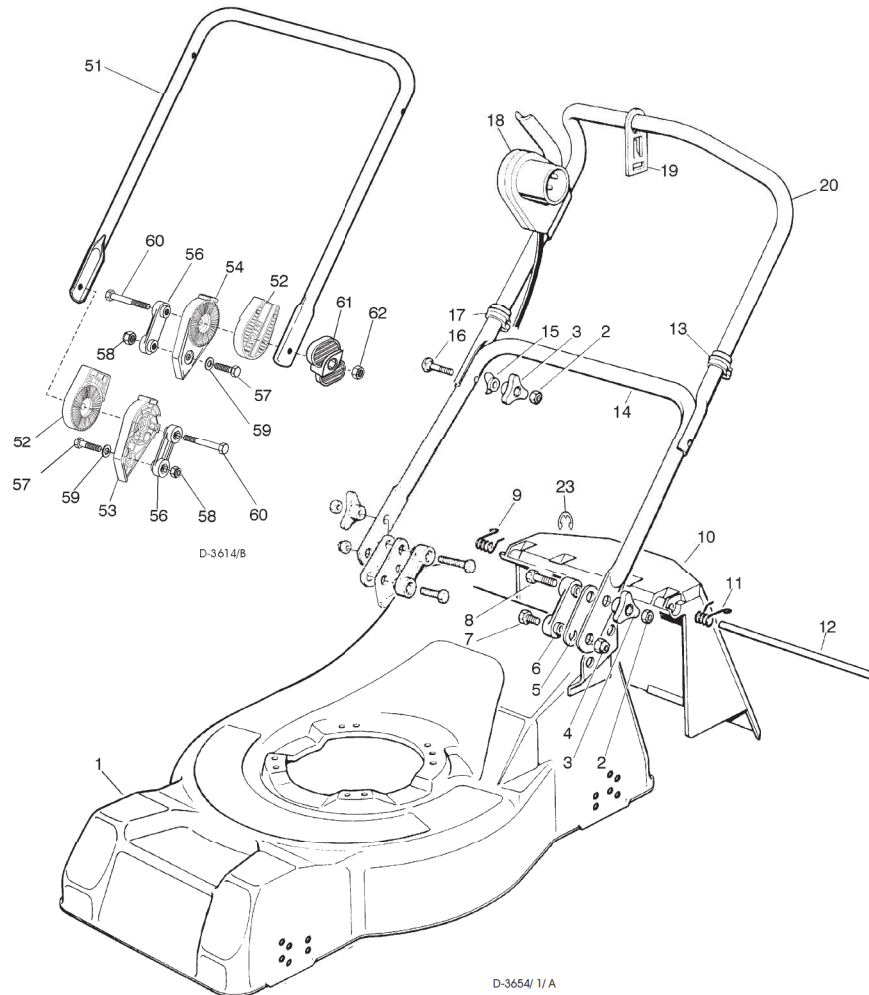
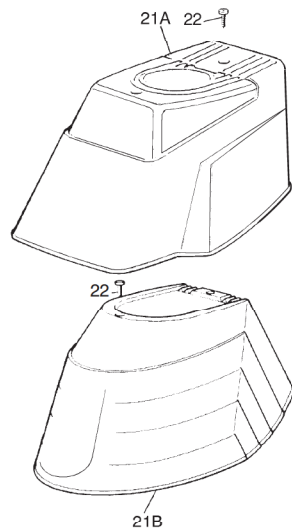
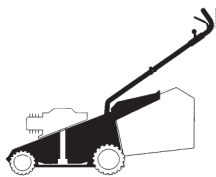
NG 460

CHASSIS
MANICO
COMANDI
DOTAZIONE VITERIE

DECK
HANDLE
CONTROLS
SCREWS OUTFITS

CHÂSSIS
MANCHERON
COMMANDES
DOTATION VISSERIE

GEHÄUSE
HOLM
BETÄTIGUNGEN
SCHRAUBENSATZ



SPARE PARTS CATALOGUE

GB

CATALOGO DELLE PARTI
DI RICAMBIO

I

ERSATZTEILKATALOG

D

CATALOGUE DES PIÈCES
DE RECHANGE

F

T-3654/ 1/ A

Pos. Nr.	Codice Code Kodex	Q.tà Q.ty-Q.tè Menge	Descrizione	Description	Description	Beschreibung
1			CHASSIS	DECK	CHÂSSIS	GEHÄUSE
—	81001174/ 1	1	ROSSO NG 410	RED NG 410	ROUGE NG 410	ROTES NG 410
—	81001199/ 1	1	GIALLO NG 410	YELLOW NG 410	JAUNE NG 410	GELBES NG 410
—	81001441/ 1	1	VERDE NG 410	GREEN NG 410	VERT NG 410	GRÜNES NG 410
—	81001175/ 0	1	ROSSO NG 460	RED NG 460	ROUGE NG 460	ROTES NG 460
—	81001282/ 0	1	GIALLO NG 460	YELLOW NG 460	JAUNE NG 460	GELBES NG 460
—	81001442/ 0	1	VERDE NG 460	GREEN NG 460	VERT NG 460	GRÜNES NG 460
2	12293200/ 0	4	DADO	NUT	ECROU	MUTTER
3	22399900/ 0	4	MANOPOLINA	KNOB	POIGNÉE	GRIF
4	12155000/ 0	2	DADO	NUT	ECROU	MUTTER
5	22551574/ 0	2	PIASTRINA ESTERNA	OUTSIDE PLAQUE	PLAQUETTE EXTERNE	ÄUßERE PLATTE
6	22551575/ 0	2	PIASTRINA INTERNA	INSIDE PLAQUE	PLAQUETTE INTERNE	INNERE PLATTE
7	12793300/ 0	2	VITE	SCREW	VIS	SCHRAUBE
8	12691115/ 0	2	VITE	SCREW	VIS	SCHRAUBE
9	22450410/ 1	1	MOLLA DX	RIGHT SPRING	RESSORT DROITE	RECHTE FEDER
10	22600028/ 4	1	PARASASSI	STONE-GUARD	PARE-PIERRES	PRALLBLECH

Pos. Nr.	Codice Code Kodex	Q.tà Q.ty-Q.tè Menge	Descrizione	Description	Description	Beschreibung
11	22450420/1	1	MOLLA SX	LEFT SPRING	RESSORT GAUCHE	LINKE FEDER
12	22517906/1	1	PERNO	PIN	PIVOT	BOLZEN
13	22192151/0	1	FERMACAVO	FAIR LEAD	FIXATION CABLE	KABELBEFESTIGUNG
14	81006512/0	1	PARTE INF. MANICO	LOWER HANDLE	PARTIE INF. MANCHERON	UNTERHOLM
15	22680006/1	2	RONDELLA	WASHER	RONDELLE	SCHEIBE
16	12819201/0	2	VITE	SCREW	VIS	SCHRAUBE
17	22192000/1	2	FASCETTA ANCORAGGIO	ANCHOR CLAMP	COLLIER ANCRAGE	BOWDENZUGHALTER
18			SALVAMOTORE M.M.	DEAD HAND SWITCH M.M.	INT. MAIN MORTE M.M.	TOT MANSCHALTER M.M.
—	18710562/0	1	8,5 A 602 MS (1300W IBMEI/ RST)	8,5 A 602 MS (1300W IBMEI/ RST)	8,5 A 602 MS(1300W IBMEI/ RST)	8,5 A 602 MS (1300W IBMEI/ RST)
—	18710563/0	1	8,5 A 603 MS (1300W IBMEI/ RST)	8,5 A 603 MS (1300W IBMEI/ RST)	8,5 A 603 MS (1300W IBMEI/ RST)	8,5 A 603 MS (1300W IBMEI/ RST)
—			SOLO PER SVIZZERA	ONLY FOR SWITZERLAND	SEULEMENT POUR LA SUISSE	NUR FÜR SCHWEIZ
—	18710624/1	1	8,5 A 607 MS (1300W IBMEI)	8,5 A 607 MS (1300W IBMEI)	8,5 A 607 MS (1300W IBMEI)	8,5 A 607 MS (1300W IBMEI)
—	18710604/0	1	10 A 602 MS (1600W IBMEI/ RST)	10 A 602 MS (1600W IBMEI/ RST)	10 A 602 MS (1600W IBMEI/ RST)	10 A 602 MS (1600WIBMEI/ RST)
—	18710572/0	1	10 A 603 MS (1600W IBMEI/ RST)	10 A 603 MS (1600W IBMEI/ RST)	10 A 603 MS (1600W IBMEI/ RST)	10 A 603 MS (1600WIBMEI/ RST)
—			SOLO PER SVIZZERA	ONLY FOR SWITZERLAND	SEULEMENT POUR LA SUISSE	NUR FÜR SCHWEIZ
—	18710628/0	1	10 607 MS (1600W IBMEI)	10 607 MS (1600W IBMEI)	10 607 MS (1600W IBMEI)	10 607 MS (1600W IBMEI)
19	22195101/1	1	FERMACAVO	FAIR LEAD	FIXATION CABLE	KABELBEFESTIGUNG
20	81007017/1	1	PARTE SUP. MANICO	UPPER HANDLE	PARTIE SUP. MANCHERON	OBERHOLM
21A	22055045/1	1	CAPOTTINA	COVER	CAPOT	HAUBE
21B	22055033/1	1	CAPOTTINA	COVER	CAPOT	HAUBE
22	12728680/0	2	VITE	SCREW	VIS	SCHRAUBE
23	12000930/0	1	ANELLO ELASTICO	SNAP RING	ANNEAU RESSORT	SPRENGRING

—	81008596/1	1	DOTAZIONE VITERIA	SCREWS OUTFIT	DOTATION VISSERIE	SCHRAUBEN SATZ
---	------------	---	-------------------	---------------	-------------------	----------------

VARIANTE REGOLAZIONE MANICO	HANDLE ADJUSTMENT	VARIANTE REGLAGE	GRIFFEINSTELLVARIANTE VARIANTPOIGNEE
-----------------------------	-------------------	------------------	--------------------------------------

T-3614/B

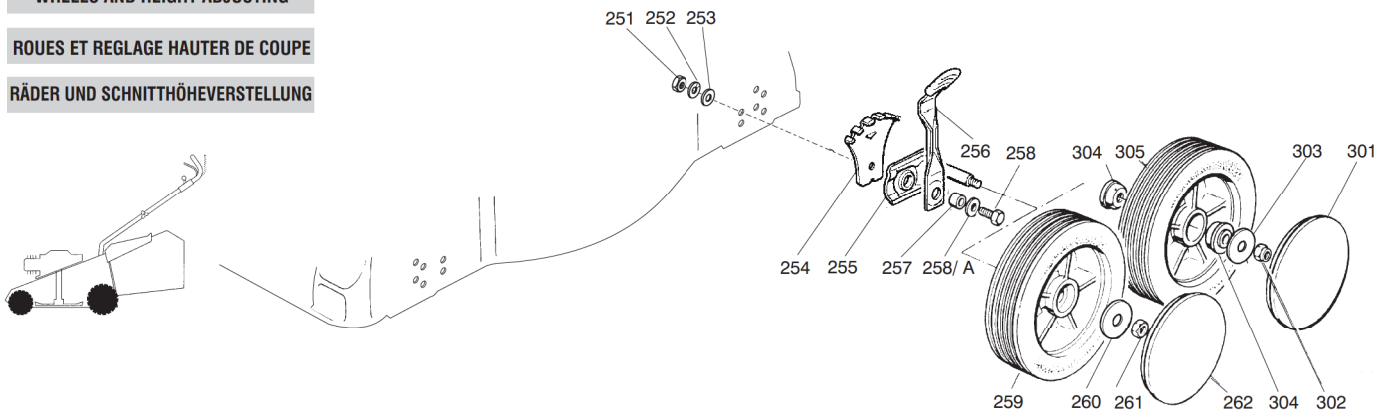
51	81006510/0	1	PARTE INF. MANICO	LOWER HANDLE	PARTIE INF. MANCHERON	UNTERHOLM
52	22785081/0	2	SUPPORTO ESTERNO	EXTERNAL SUPPORT	SUPPORT EXTERNE	AUßERE HALTERUNG
53	22785082/0	1	SUPPORTO INTERNO DX	R. INTERNAL SUPPORT	SUPPORT INTERNE DROIT	INNERE HALTERUNG RECHTS
54	22785083/1	1	SUPPORTO INTERNO SX	L. INTERNAL SUPPORT	SUPPORT INTERNE GAUCHE	INNERE HALTERUNG LINKS
56	22551575/0	2	PIASTRINA INTERNA	INSIDE PLAQUE	PLAQUETTE INTERNE	INNERE PLATTE
57	12793701/0	2	VITE	SCREW	VIS	SCHRAUBE
58	12155000/0	2	DADO	NUT	ECROU	MUTTER
59	12521350/0	2	RONDELLA	WASHER	RONDELLE	SCHEIBE
60	12691810/0	2	VITE	SCREW	VIS	SCHRAUBE
61	22399803/0	2	MANOPOLINA	KNOB	POIGNÉE	GRIFF
62	12293202/0	2	DADO	NUT	ECROU	MUTTER
—	81008622/0	1	DOTAZ. VITERIA	SCREWS OUTFIT	DOTATION VISSERIE	SCHRAUBEN SATZ

RUOTE E REGOLAZIONE

WHEELS AND HEIGHT ADJUSTING

ROUES ET REGLAGE HAUTER DE COUPE


RÄDER UND SCHNITTHÖHEVERSTELLUNG



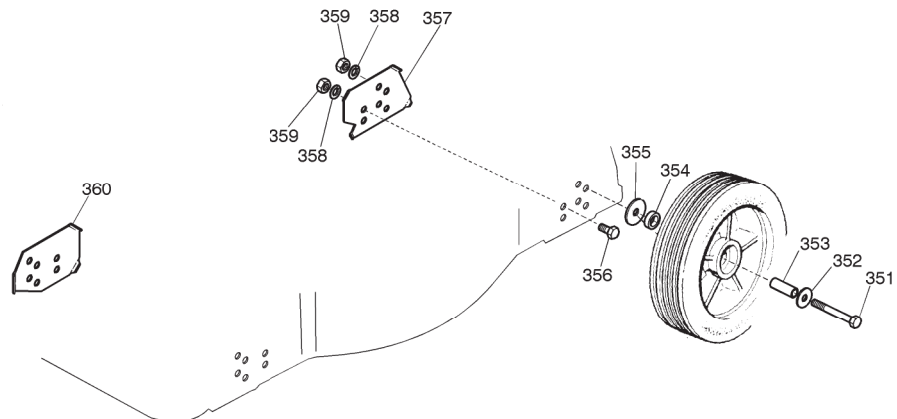
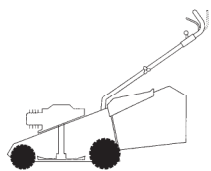
D-3654/1/F

T-3654/1/F

251	12293200/0	4	DADO	NUT	ECROU	MUTTER
252	12583500/0	4	GROWER	GROWER	GROWER	FEDERRING
253	12523070/0	4	RONDELLA	WASHER	RONDELLE	SCHEIBE
254	22735547/0	4	SETTORE REGOLAZIONE	ADJUSTMENT SECTOR	SECTEUR REGLAGE	VERSTELLUNGSEKTOR
255	81005082/0	4	SUPPORTO RUOTA	WHEEL SUPPORT	SUPPORT ROUE	RADHALTER
256	81003285/1	4	LEVA REGOLAZIONE	ADJUSTMENT LEVER	LEVIER REGLAGE	VERSTELLUNGHEBEL
257	22171001/0	4	DISTANZIALE	SPACER	ENTRETOISE	DISTANZRING
258	12793701/0	4	VITE	SCREW	VIS	SCHRAUBE
258A	12521350/0	4	RONDELLA	WASHER	RONDELLE	SCHEIBE
259	81007325/0	4	RUOTA Ø 170	WHEEL Ø 170	ROUE Ø 170	RAD Ø 170
260	12523060/0	4	RONDELLA	WASHER	RONDELLE	SCHEIBE
261	12293201/0	4	DADO	NUT	ECROU	MUTTER
262		4	COPRIMOZZO	HUB CAP	COUVRE-MOYEU	RADKAPPE
—	22110262/0	4	BIANCO	WHITE	BLANC	WEIßE
—	22110263/0	4	GIALLO	YELLOW	JAUNE	GELBE
—	22110264/0	4	ROSSO	RED	ROUGE	ROTE

Pos. Nr.	Codice Code Kodex	Q.tà Q.ty-Q.tè Menge	Descrizione	Description	Description	Beschreibung
			VARIANTI RUOTE Ø 170 SU BOCCOLE	WHEELS Ø 170 VARIANTS ON BUSHES	VARIANTES ROUES Ø 170 SUR DOUILLES	ÄNDERUNGEN AUF RÄDER Ø 170 MIT BÜCHSEN
301		4	COPRIMOZZO	HUB CAP	COUVRE-MOYEU	RADKAPPE
—	22110262/0	4	BIANCO	WHITE	BLANC	WEIßE
—	22110263/0	4	GIALLO	YELLOW	JAUNE	GELBE
—	22110264/0	4	ROSSO	RED	ROUGE	ROTE
302	12155000/0	4	DADO	NUT	ECROU	MUTTER
303	12523060/0	4	RONDELLA	WASHER	RONDELLE	SCHIBE
304	22034508/0	4	BOCCOLA	BUSH	DOUILLE	BÜCHSE
305	81007326/0	4	RUOTA Ø 170	WHEEL Ø 170	ROUE Ø 170	RAD Ø 170

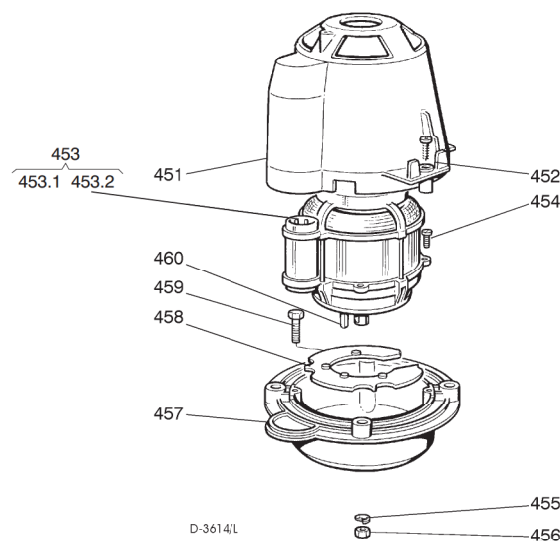
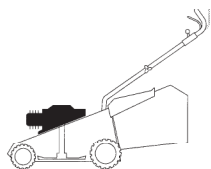
- VARIANTE REGOLAZIONE RUOTE
- WHEEL ADJUSTMENT VARIANT
- VARIANTE REGLAGE ROUES
- RADEINSTELLVARIANTE




D-3614/H

T-3654/ 1/H	351	12691900/0	4	VITE	SCREW	VIS	SCHRAUBE
	352	12523060/0	4	RONDELLA	WASHER	RONDELLE	SCHEIBE
	353	22869650/0	4	TUBO PER RUOTA	WHEEL TUBE	TUBE POUR ROUE	ROHR FÜR RAD
	354	22172420/0	4	DISTANZIALE	SPACER	ENTRETOISE	DISTANZRING
	355	12523070/0	4	RONDELLA	WASHER	RONDELLE	SCHEIBE
	356	12792611/0	4	VITE	SCREW	VIS	SCHRAUBE
	357	22551513/0	2	PIASTRA POSTERIORE	BACK PLATE	PLAQUE POSTÉRIEURE	HINTERPLATTE
	358	12583500/0	8	GROWER	GROWER	GROWER	GROWER
	359	12293200/0	8	DADO	NUT	ECROU	MUTTER
	360	22551511/0	2	PIASTRA ANTERIORE	FRONT PLATE	PLAQUE ANTÉRIEURE	VORDERPLATTE

- GRUPPO MOTORE ELETTRICO
- MOTOR ASS.Y
- MOTEUR ELECTRIQUE
- ELEKTROMOTOR



D-3614/L

T-3614/L	451	22785061/0	1	SUPPORTO CAPOTTINA	COVER SUPPORT	SUPPORT CAPOT	HAUBEHALTER
	452	12728710/0	4	VITE	SCREW	VIS	SCHRAUBE
	453			MOTORE	MOTOR	MOTEUR	MOTOR
	—	18563068/1	1	IBMEI 1300W (230V)	IBMEI 1300W (230V)	IBMEI 1300W (230V)	IBMEI 1300W (230V)
	—	18563008/0	1	RST 1300W (220-230V)	RST 1300W (220-230V)	RST 1300W (220-230V)	RST 1300W (220-230V)
	—	18563069/1	1	IBMEI 1300W (240V)	IBMEI 1300W (240V)	IBMEI 1300W (240V)	IBMEI 1300W (240V)
	—	18563061/2	1	IBMEI 1600W (230V)	IBMEI 1600W (230V)	IBMEI 1600W (230V)	IBMEI 1600W (230V)
	—	18563009/0	1	RST 1600W (230V)	RST 1600W (230V)	RST 1600W (230V)	RST 1600W (230V)

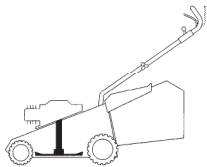
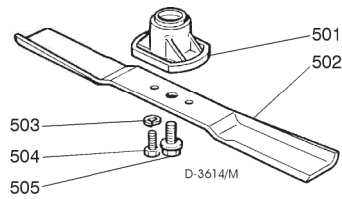
Pos. Nr.	Codice Code Kodex	Q.tà Q.ty-Q.tè Menge	Descrizione	Description	Description	Beschreibung
—	18563047/ 2	1	IBMEI 1600W (240V)	IBMEI 1600W (240V)	IBMEI 1600W(240V)	IBMEI 1600W (240V)
453.1	18740049/ 0	1	VENTOLA	FAN	VENTILATEUR	LÜFTER
—	18740051/ 0	1	PER MOTORE IBMEI	IBMEI MOTOR	IBMEI MOTEUR	IBMEI MOTOR
—	18740051/ 0	1	PER MOTORE RST	RST MOTOR	MOTEUR RST	RST MOTOR
453.2	18222037/ 0	1	CONDENSATORE	CONDENSER	CONDENSEUR	KONDENSATOR
—	18222038/ 0	1	16 µF	16 µF	16 µF	16 µF
—	18222038/ 0	1	20 µF	20 µF	20 µF	20 µF
454	12735410/ 0	4	VITE	SCREW	VIS	SCHRAUBE
455	12583500/ 0	4	GROWER	GROWER	GROWER	FEDERRING
456	12293200/ 0	4	DADO	NUT	ECROU	MUTTER
457	22207211/ 3	1	FLANGIA	FLANGE	BRIDE	FLANSCH
458	22720360/ 1	1	SCHERMO VENTILAZIONE	VENTILATION SCREEN	ECRAN VENTILATION	LÜFTUNGSSCHIRM
459	12793700/ 0	4	VITE	SCREW	VIS	SCHRAUBE
460	12139440/ 0	1	LINGUETTA	FEATHER	CLAVETTE	KEIL

GRUPPO COLTELLO

BLADE ASS.Y

GROUPE LAME

MESSERSATZ



T-3614/ M

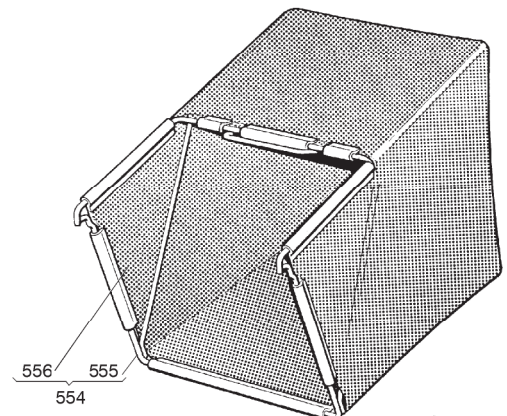
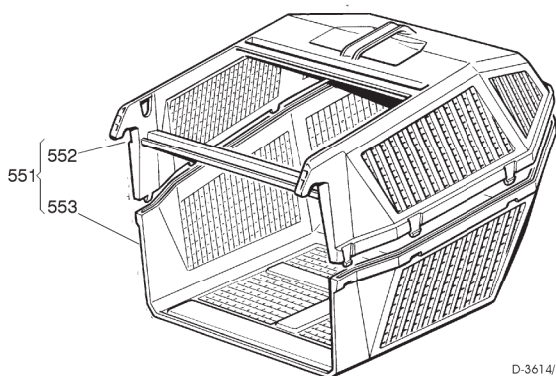
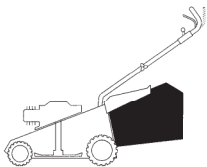
501	22463186/ 1	1	MOZZO	HUB	MOYEU	NABE
502	81004360/ 2	1	COLTELLO	BLADE	LAME	MESSER
—	81004360/ 2	1	STANDARD 39 cm.	STANDARD 39 cm.	STANDARD 39 cm.	STANDARD 39 cm.
—	81004365/ 2	1	STANDARD 44 cm.	STANDARD 44 cm.	STANDARD 44 cm.	STANDARD 44 cm.
503	12583500/ 0	2	GROWER	GROWER	GROWER	FEDERRING
504	12793101/ 0	2	VITE	SCREW	VIS	SCHRAUBE
505	81004352/ 0	1	VITE	SCREW	VIS	SCHRAUBE

SACCO RACCOGLIERBA

GRASS-CATCHER

BAC DE RAMASSAGE

GRASFANGKORB



T-3614/ N

551	98005000/ 1	1	SACCO COMPLETO	COMPLETE GRASS-BOX	SAC COMPLET	KOMPLETTER KORB
552	22486076/ 0	1	PORTE SUP. SACCO	UPPER GRASS BOX	PARTIE SUP. SAC	OBERSKORB
553	22486077/ 0	1	PORTE INF. SACCO	LOWER GRASS BOX	PARTIE INF. SAC	UNTERKORB
554	98004000/ 0	1	ASS. SACCO IN TELA	CANVASS GRASSCATCHER	ENSEMBLE SAC EN TOILE	KOMPLETTER SACK
555	81006408/ 0	1	TELAIO	CHASSIS	CHÂSSIS	RAHMEN
556	81002105/ 2	1	TELA SACCO	FABRIC BOX	TOILE POUR SAC	TUCK FÜR SACK