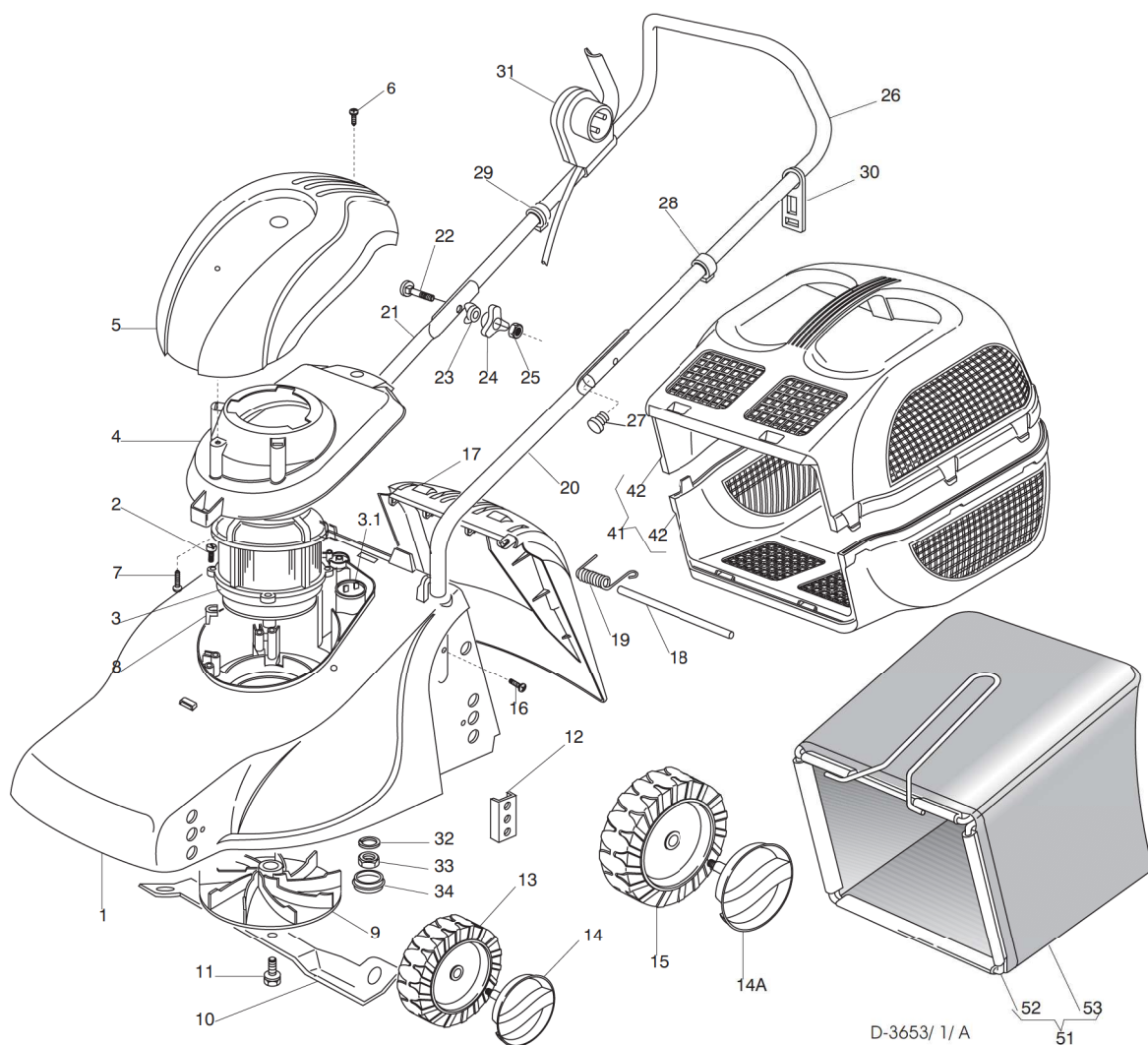


C 390



SPARE PARTS CATALOGUE

GB

ERSATZTEILKATALOG

D

CATALOGO DELLE PARTI
DI RICAMBIO

I

CATALOGUE DES PIÈCES
DE RECHANGE

F

D-3653/ 1/A

T-3653/ 1/A

Pos. Nr.	Codice Code Kodex	Q.tà Q.ty-Q.tè Menge	Descrizione	Description	Description	Beschreibung
1			CHASSIS	DECK	CHÂSSIS	GEHAUSE
—	81001561/ 0	1	ROSSO	RED	ROUGE	ROTES
—	81001575/ 0	1	GIALLO	YELLOW	JAUNE	GELBES
—	81001576/ 0	1	VERDE	GREEN	VERT	GRÜNES
2	12735410/ 0	4	VITE	SCREW	VIS	SCHRAUBE
3			MOTORE	MOTOR	MOTEUR	MOTOR
—	18563065/ 0	1	IBMEI 1300W (230V)	IBMEI 1300W (230V)	IBMEI 1300W (230V)	IBMEI 1300W (230V)
—	18563067/ 0	1	IBMEI 1300W (240V)	IBMEI 1300W (240V)	IBMEI 1300W (240V)	IBMEI 1300W (240V)
3.1	18222036/ 0	1	CONDENSATORE 12µF	CONDENSER 12µF	CONDENSEUR 12µF	KONDENSATOR 12µF
4	22055050/ 1	1	SUP. CAPOTTINA	COVER SUPPORT	SUPPORT CAPOT	HAUBEHALTER1
5	22055049/ 1	1	CAPOTTINA	COVER	CAPOT	HAUBE
6	12728680/ 0	1	VITE	SCREW	VIS	SCHRAUBE
7	12728450/ 0	1	VITE	SCREW	VIS	SCHRAUBE
9	22465602/ 0	1	MOZZO	HUB	MOYEU	NABE
10	81004117/ 1	1	COLTELLO	BLADE	LAME	MESSER

Pos. Nr.	Codice Code Kodex	Q.tà Q.ty-Q.tè Menge	Descrizione	Description	Description	Beschreibung
11	81004352/0	1	VITE	SCREW	VIS	SCHRAUBE
12	22785087/1	4	SUPP. RUOTE	WHEELS SUPPORT	SUPPORT ROUE	RADHALTER
13	22686083/0	2	RUOTA Ø 130	WHEEL Ø 130	ROUE Ø 130	RAD Ø 130
14	☛		COPRIMOZZO	HUB CAP	COUVRE-MOYEU	RADKAPPE
—	81004357/0	2	BIANCO	WHITE	BLANC	WEIßE
—	81004331/0	2	GIALLO	YELLOW	JAUNE	GELBE
—	81004333/0	2	ROSSO	RED	ROUGEE	ROTE
14A	☛		COPRIMOZZO	HUB CAP	COUVRE-MOYEU	RADKAPPE
—	81004326/0	2	BIANCO	WHITE	BLANC	WEIßE
—	81004327/0	2	GIALLO	YELLOW	JAUNE	GELBE
—	81004328/0	2	ROSSO	RED	ROUGE	ROTE
15	22686085/0	2	RUOTA Ø 160	WHEEL Ø 160	ROUE Ø 160	RAD Ø 160
16	12728450/0	2	VITE	SCREW	VIS	SCHRAUBE
17	22600056/0	1	PARASASSI	STONE-GUARD	PARE-PIERRES	PRALLBLECH
18	22512601/0	1	PERNO	PIN	PIVOT	BOLZEN
19	22450250/0	1	MOLLA	SPRING	RESSORT	FEDER
20	81006940/0	1	MANICO INF. SX	L. LOWER HANDLE	MANCHERON INF. G.	L. UNTERHOLM
21	81006939/0	1	MANICO INF. DX	R. LOWER HANDLE	MANCHERON INF. D.	R. UNTERHOLM
22	12819120/0	2	VITE	SCREW	VIS	SCHRAUBE
23	22680006/1	2	RONDELLA	WASHER	RONDELLE	SCHIEBE
24	22399900/0	2	MANOPOLINA	KNOB	POIGNÉE	GRIF
25	12293200/0	2	DADO	NUT	ECROU	MUTTER
26	81006941/2	1	PARTE SUP. MANICO	UPPER HANDLE	PARTIE SUP. MANCHERON	OBERHOLM
27	18566112/0	2	TAPPO	CAP	BOUCHON	GUMMISTOPFEN
28	22192151/0	1	FERMACAVO	FAIRLEAD	FIXATION CABLE	KABELBEFESTIGUNG
29	22192000/1	1	FASCETTA ANCORAGGIO	ANCHOR CLAMP	COLLIER ANCRAGE	BOWDENZUGHALTER
30	22195101/1	1	FERMACAVO	FAIRLEAD	FIXATION CABLE	KABELBEFESTIGUNG
31	☛		SALVAMOTORE M.M.	DEAD HAND SWITCH M.M.	INT. MAIN MORTE M.M.	TOT MANSCHALTER M.M.
—	18710561/0	1	7A 602 MS (1300W lbmei)	7A 602 MS (1300W lbmei)	7A 602 MS (1300W lbmei)	7A 602 MS (1300W lbmei)
—	18710608/0	1	7A 603 MS (1300W lbmei)	7A 603 MS (1300W lbmei)	7A 603 MS (1300W lbmei)	7A 603 MS (1300W lbmei)
—			SOLO PER SVIZZERA	ONLY FOR SWITZERLAND	SEULEMENT POUR LA SUISSE	NUR FÜR SCHWEIZ
—	18710620/1	1	7A 607 MS (1300W)	7A 607 MS (1300W)	7A 607 MS (1300W)	7A 607 MS (1300W)
—	18710626/1	1	SENZA PROT. TERMICA 601 MS	601 MS WITHOUT OVERLOAD PROTECTION	601 MS SANS PROTECTION	601 MS OHNE THERMISCHER SCHUTZ
—	18710627/0	1	SENZA PROT. TERMICA 603 MS	603 MS WITHOUT OVERLOAD PROTECTION	603 MS SANS PROTECTION	603 MS OHNE THERMISCHER SCHUTZ
32	12540260/0	1	GROWER	GROWER	GROWER	FEDERRING
33	12293200/0	1	DADO	NUT	ECROU	MUTTER
34	22110275/0	1	TAPPO	CAP	BOUCHON	GUMMISTOPFEN
41	97390000/0	1	SACCO COMPLETO	COMPLETE GRASS-BOX	BAC COMPLET	KOMPLETTER KORB
42	22486049/0	2	PARTE INF. SUP. SACCO	UPPER. LOWER GRASS-BOX	PARTIE SUP-INF. SAC	OBER-UNTERKORB
51	97007000/0	1	ASS. SACCO TELA	CANVASS GRASSCATCHER	ENSEMBLE SAC EN TOILE	KOMPLETTER SACK
52	81006417/0	1	TELAIO	CHASSIS	CHASSIS	RAHMEN
53	81002147/0	1	TELA SACCO	FABRIC BOX	TOILE POUR SAC	TUCK FÜR SACK
—	81008592/0	1	DOTAZIONE VITERIA	SCREWS OUTFIT	DOTATION VISSERIE	SCHRAUBEN SATZ