

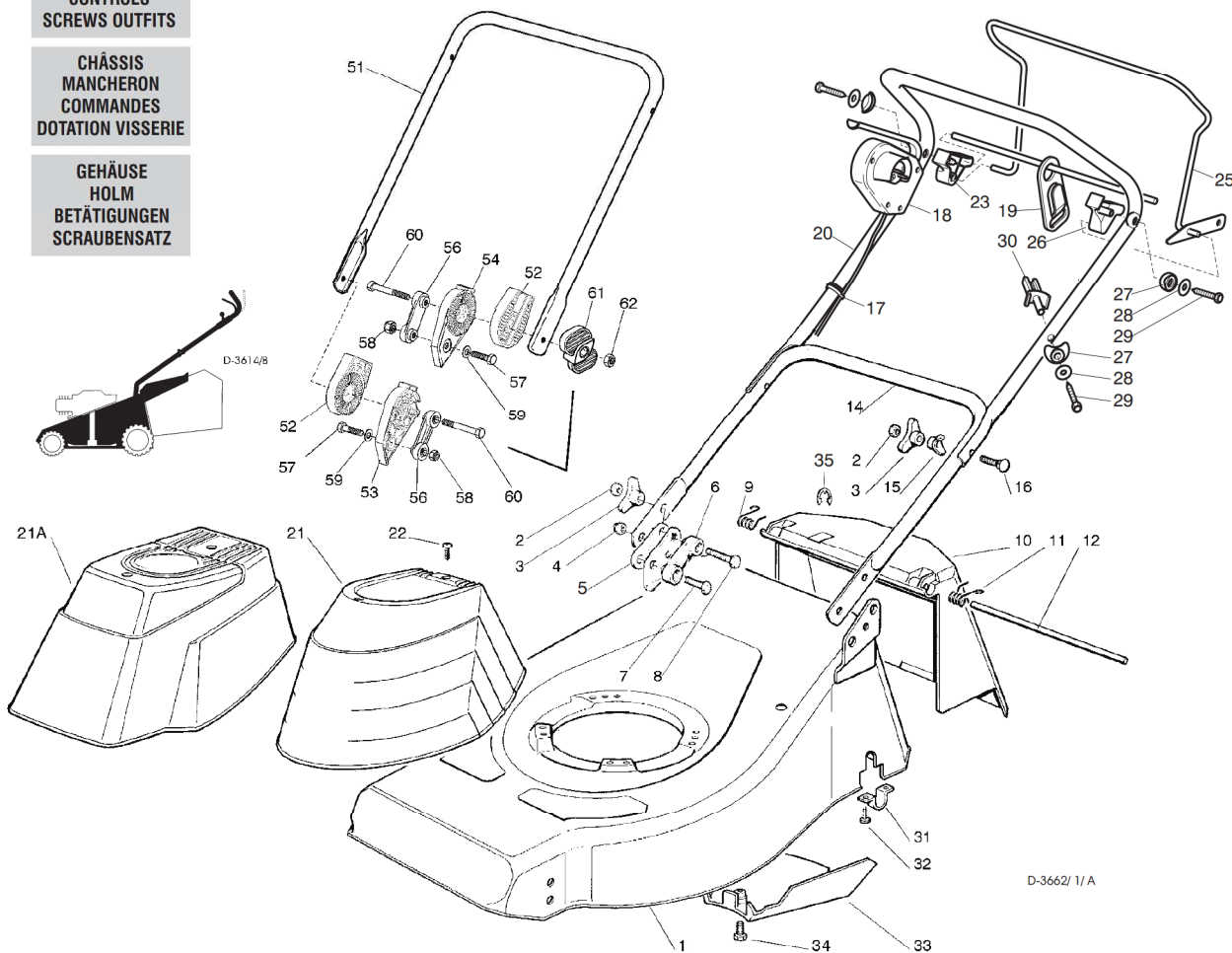
# R 430 TR

CHASSIS  
MANICO  
COMANDI  
DOTAZIONE VITERIE

DECK  
HANDLE  
CONTROLS  
SCREWS OUTFITS

CHÂSSIS  
MANCHERON  
COMMANDES  
DOTATION VISSERIE

GEHÄUSE  
HOLM  
BETÄTIGUNGEN  
SCRAUBENSATZ



SPARE PARTS CATALOGUE

GB

ERSATZTEILKATALOG

D

CATALOGO DELLE PARTI  
DI RICAMBIO

I

CATALOGUE DES PIÈCES  
DE RECHANGE

F

T-3662/1/A

Pos. Nr.	Code Code Kodex	Q.tà Q.ty-Q.tè Menge	Descrizione	Description	Description	Beschreibung
1			CHASSIS	DECK	CHÂSSIS	GEHÄUSE
—	81001627/0	1	ROSSO	RED	ROUGE	ROTES
—	81001628/0	1	GIALLO	YELLOW	JAUNE	GELBES
—	81001629/0	1	VERDE	GREEN	VERT	GRÜNES
2	12293200/0	4	DADO	NUT	ECROU	MUTTER
3	22399900/0	4	MANOPOLINA	KNOB	POIGNÉE	GRIFF
4	12155000/0	2	DADO	NUT	ECROU	MUTTER
5	22551574/0	2	PIASTRINA ESTERNA	OUTSIDE PLAQUE	PLAQUETTE EXTERNE	INNERE PLATTE
6	22551575/0	2	PIASTRINA INTERNA	INSIDE PLAQUE	PLAQUETTE INTERNE	INNERE PLATTE
7	12793300/0	2	VITE	SCREW	VIS	SCHRAUBE
8	12691115/0	2	VITE	SCREW	VIS	SCHRAUBE
9	22450410/1	1	MOLLA DESTRA	RIGHT SPRING	RESSORT DROITE	RECHTE FEDER
10	22600028/4	1	PARASASSI	STONEGUARD	PAREPIERRES	PRALLBLECH
11	22450420/1	1	MOLLA SINISTRA	LEFT SPRING	RESSORT GAUCHE	LINKE FEDER
12	22517906/1	1	PERNO	PIN	PIVOT	BOLZEN
14	81006512/0	1	PARTE INFERIORE MANICO	LOWER HANDLE	PARTIE INF. MANCHERON	OBERHOLM
15	22680006/1	2	RONDELLA	WASHER	RONDELLE	SCHLEIBE
16	12819201/0	2	VITE	SCREW	VIS	SCHRAUBE
17	22192000/1	2	FASCETTA ANCORAGGIO	ANCHOR CLAMP	COLLIER ANCRAGE	BOWDENZUGHALTER
18	18710603/0	1	SALVAMOTORE M.M. 11A 602 MS	DEAD HAND SWITCH 11A 602 MS	INT. MAIN MORTE 11A 602 MS	TOT MANSCHALTER 11A 602 MS
19	22195101/1	1	FERMACAVO	FAIR LEAD	FIXATION CABLE	KABELBEFESTIGUNG
20	81006957/0	1	PARTE SUPERIORE MANICO	UPPER HANDLE	PARTIE SUP. MANCHERON	UNTERHOLM
21	22055033/1	1	CAPOTTINA	COVER	CAPOT	HAUBE
21A	22055045/1	1	CAPOTTINA	COVER	CAPOT	HAUBE

Pos. Nr.	Codice Code Kodex	Q.tà Q.ty-Q.tè Menge	Descrizione	Description	Description	Beschreibung
22	12728680/0	2	VITE	SCREW	VIS	SCHRAUBE
23	22806518/0	1	SUPPORTO DESTRO	RIGHT FIXED BEARING	SUPPORT DROITE	RECHTER HALTER
24	22020320/0	1	AGGANCIO FERMACAVO	FAIRLEAD BEARING	SUPPORT SERRECALE	KABELHALTER
25	81001245/0	1	LEVA TRAZIONE	DRIVING LEVER	LEVIER TRACTION	ANTRIEBHEBEL
26	22806519/0	1	SUPPORTO SINISTRO	LEFT FIXED BEARING	SUPPORT GAUCHE	LINKER HALTER
27	22680007/0	3	RONDELLA	WASHER	RONDELLE	SCHEIBE
28	12523040/0	3	RONDELLA	WASHER	RONDELLE	SCHEIBE
29	12735103/0	3	VITE	SCREW	VIS	SCHRAUBE
30	22806520/0	1	SUPPORTO REGISTRO	ADJUSTER SUPPORT	SUPPORT ECROU REG.	REGLERHALTER
31	22545152/0	2	PIASTRINA	PLATE	PLAQUETTE	PLATTE
32	12731350/0	4	VITE	SCREW	VIS	SCHRAUBE
33	22060170/0	1	CARTER CINGHIA	BELT PROTECTION	PROTECTION CORROIRE	RIEMENSCHUTZ
34	12727791/0	1	VITE	SCREW	VIS	SCHRAUBE
35	12000930/0	1	ANELLO ELASTICO	SNAP RING	ANNEAU RESSORT	SPRENGRING
—	81008596/1	1	DOTAZIONE VITERIA	SCREWS OUTFIT	DOTATION VISSERIE	SCHRAUBEN SATZ

		VARIANTE REGOLAZIONE MANICO	HANDLE ADJUSTMENT VARIANT	VARIANTE REGLAGE POIGNEE	GRIFFEINSTELLVARIANTE	
51	81006510/0	1	PARTE INF. MANICO	LOWER HANDLE	PARTIE INF. MANCHERON	UNTERHOLM
52	22785081/0	2	SUPPORTO ESTERNO	EXTERNAL SUPPORT	SUPPORT EXTERNE	AUßERE HALTERUNG
53	22785082/0	1	SUPPORTO INTERNO DX	R. INTERNAL SUPPORT	SUPPORT INTERNE DROIT	INNERE HALTERUNG RECHTS
54	22785083/1	1	SUPPORTO INTERNO SX	L. INTERNAL SUPPORT	SUPPORT INTERNEGAUCHE	INNERE HALTERUNG LINKS
56	22551575/0	2	PIASTRINA INTERNA	INSIDE PLAQUE	PLAQUETTE INTERNE	INNERE PLATTE
57	12793701/0	2	VITE	SCREW	VIS	SCHRAUBE
58	12155000/0	2	DADO	NUT	ECROU	MUTTER
59	12521350/0	2	RONDELLA	WASHER	RONDELLE	SCHEIBE
60	12691810/0	2	VITE	SCREW	VIS	SCHRAUBE
61	22399803/0	2	MANOPOLINA	KNOB	POIGNÉE	GRIFFA
62	12293202/0	2	DADO	NUT	ECROU	MUTTER
—	81008622/0	1	DOTAZ. VITERIA	SCREWS OUTFIT	DOTATION VISSERIE	SCHRAUBEN SATZ

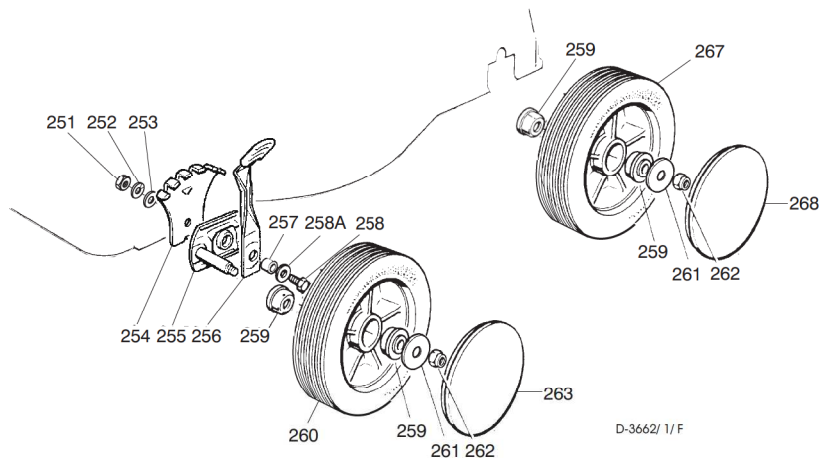
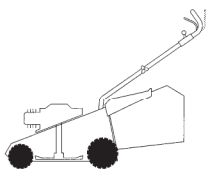
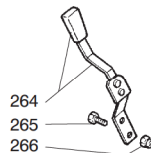
T-3614/B

**RUOTE E REGOLAZIONE**

**WHEELS AND HEIGHT ADJUSTING**

**ROUES ET REGLAGE HAUTER DE COUPE**

**RÄDER UND SCHNITTHÖHERVERSTELLUNG**



D-3662/1/F

T-3662/1/F

251	12293200/0	2	DADO	NUT	ECROU	MUTTER
252	12583500/0	2	GROWER	GROWER	GROWER	FEDERRING
253	12523070/0	2	RONDELLA	WASHER	RONDELLE	SCHEIBE
254	22735547/0	2	SETTORE REGOLAZIONE	ADJUSTMENT SECTOR	SECTEUR REGLAGE	VERSTELLUNGSEKTOR
255	81005082/0	2	SUPP. RUOTA	WHEEL SUPPORT	SUPPORT ROUE	RADHALTER
256	81003285/1	2	LEVA REGOLAZIONE	ADJUSTMENT LEVER	LEVIER REGLAGE	VERSTELLUNGHEBEL
257	22171001/0	2	DISTANZIALE	SPACER	ENTRETOISE	DISTANZRING
258	12793701/0	2	VITE	SCREW	VIS	SCHRAUBE
258A	12521350/0	2	RONDELLA	WASHER	RONDELLE	SCHEIBE
259	22034508/0	8	BOCCOLA	BUSH	DOUILLE	BUCHSE
260	81007326/0	4	RUOTA Ø 170	WHEEL Ø 170	ROUE Ø 170	RAD Ø 170
261	12523060/0	4	RONDELLA	WASHER	RONDELLE	SCHEIBE
262	12155000/0	4	DADO	NUT	ECROU	MUTTER
263	☛		COPRIMOZZO	HUB CAP	COUVRE-MOYEU	RADKAPPE
—	22110262/0	2	BIANCO	WHITE	BLANC	WEIßE
—	22110263/0	2	GIALLO	YELLOW	JAUNE	GELBE
—	22110264/0	2	ROSSO	RED	ROUGE	ROTE
264	81003279/2	1	LEVA REGOLAZIONE	ADJUSTMENT LEVER	LEVIER REGLAGE	VERSTELLUNGHEBEL
265	12789000/0	2	VITE	SCREW	VIS	SCHRAUBE
266	12154330/0	2	DADO	NUT	ECROU	MUTTER
267	81007328/0	2	RUOTA Ø 210	WHEEL Ø 210	ROUE Ø 210	RAD Ø 210
268	☛		COPRIMOZZO	HUB CAP	COUVRE-MOYEU	RADKAPPE
—	22110265/0	2	BIANCO	WHITE	BLANC	WEIßE
—	22110266/0	2	GIALLO	YELLOW	JAUNE	GELBE
—	22110267/0	2	ROSSO	RED	ROUGE	ROTE



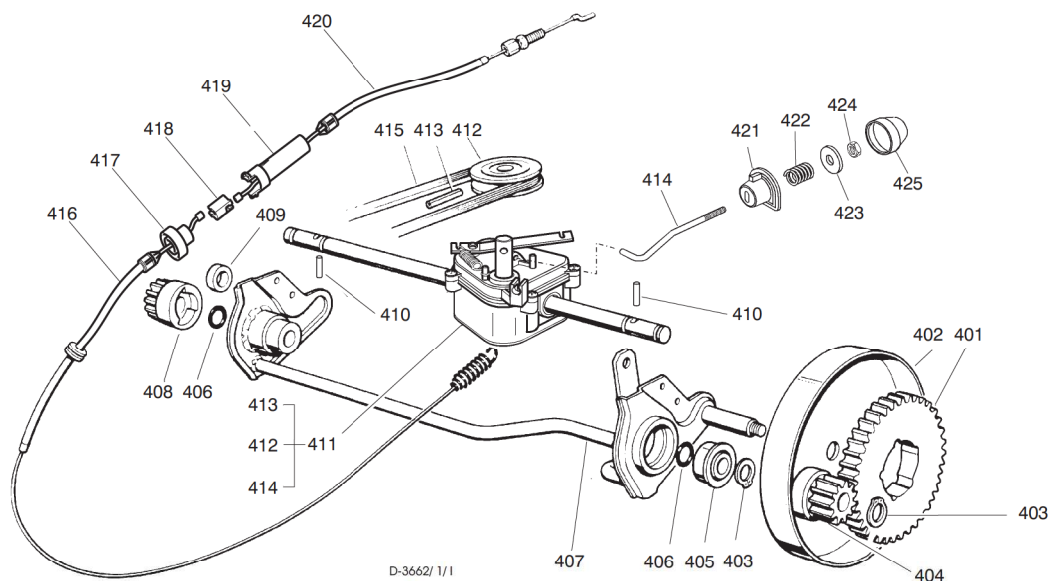
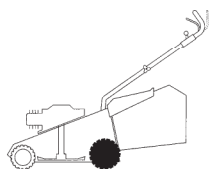
Pos. Nr.	Codice Code Kodex	Q.tà Q.ty-Q.tè Menge	Descrizione	Description	Description	Beschreibung
----------	-------------------	----------------------	-------------	-------------	-------------	--------------

**GRUPPO TRAZIONE**

**REAR DRIVE**

**GROUPE TRACTION**

**ANTRIEB**



D-3662/ 1/1

T-3662/ 1/1

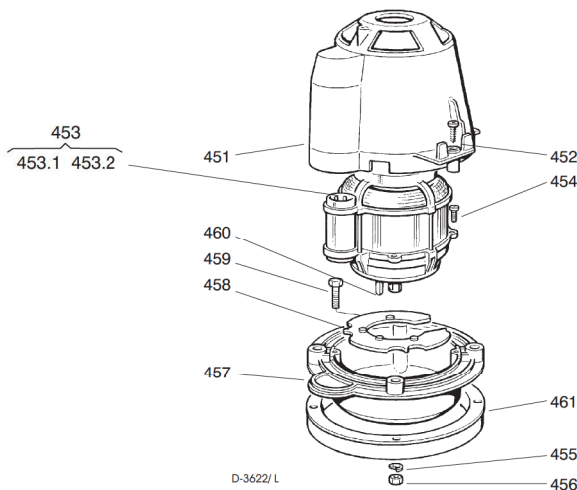
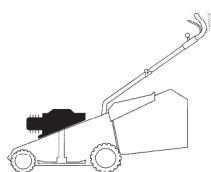
401	22120105/ 1	2	CORONA	RING GEAR	COURONNE	KRANZ
402	81006846/ 0	2	PROTEZIONE RUOTE	WHEEL GUARD	PROTECTION ROUE	RÄDERSCHUTZ
403	12608600/ 0	4	SEEGER	SEEGER	SEEGER	SEEGER
404	22570120/ 0	1	PIGNONE SINISTRO	LEFT PINION	PIGNON GAUCHE	LINKES RITZEL
405	22122200/ 0	2	CUSCINETTO	BEARING	COUSSINET	LAGER
406	12019900/ 0	2	ANELLO OR	OR RING	BAGUE OR	RING OR
407	81001252/ 1	1	ASSE RUOTE POSTERIORE	REAR WHEELS AXLE	AXE ROUES ARRIERE	HINTERRADACHSE
408	22570110/ 0	1	PIGNONE DESTRO	RIGHT PINION	PIGNON DROITE	RECHTES RITZEL
409	22170800/ 0	1	DISTANZIALE	SPACER	ENTRETOISE	DISTANZRING
410	22753000/ 0	2	SPINA	PIN	GOUPILLE	STIFT
411			ASS. GRUPPO TRAZIONE	GEAR BOX ASS.Y	ENS. GROUPE TRACTION	ANTRIEBSATZ
—	81003059/ 0	1	(PLASTICA)	(PLASTIC)	(PLASTIQUE)	(KUNSTSTOFF)
—	81003060/ 1	1	(ALLUMINIO)	(ALUMINIUM)	(ALUMINIUM)	(ALUMINIUM)
412	22001904/ 0	1	PULEGGIA	PULLEY	POULIE	RIEMENSCHLEIBE
413	12645705/ 0	1	SPINA	PIN	GOUPILLE	STIFT???
414	22033280/ 0	1	ASTA REGOLAZIONE	ADJUSTMENT ROD	TIGE REGLAGE	VERSTELLUNGSTANGE
415	35063710/ 0	1	CINGHIA Z 25	BELT Z 25	COURROIE Z 25	RIEMEN Z 25
416	81001138/ 0	1	CAVO INFERIORE	DOWN CABLE	CÂBLE INFÉRIEUR	UNTER KABEL
417	22246031/ 0	1	GIUNZIONE INFERIORE	DOWN JOINT	CONNECTION INFÉRIEUR	VERBINDUNG OBEN
418	22042040/ 0	1	BUSSOLA ISOLAMENTO	ISOLATION COMPASS	BOUSOLE DE ISOLEMENT	ABSONDERUNG KOMPAS
419	22246030/ 0	1	GIUNZIONE SUPERIORE	UP JOINT	CONNECTION SUPÉRIEUR	VERBINDUNG UNTER
420	81001150/ 0	1	CAVO SUPERIORE	UP CABLE	CÂBLE SUPÉRIEUR	OBEN KABEL
421	22041957/ 0	1	BUSSOLA	BUSH	DOUILLE	BUCHSE
422	22450063/ 0	1	MOLLA	SPRING	RESSORT	FEDER
423	22680009/ 0	1	RONDELLA	WASHER	RONDELLE	SCHEIBE
424	12154510/ 0	1	DADO	NUT	ECROU	MUTTER
425	22110230/ 0	1	TAPPO	CAP	BOUCHON	GUMMISTOPFEN

**GRUPPO MOTORE ELETTRICO**

**MOTOR ASS.Y**

**MOTEUR ELECTRIQUE**

**ELEKTROMOTOR**



D-3622/ L

451	22785061/ 0	1	SUPPORTO CAPOTTINA	COVER SUPPORT	SUPPORT CAPOT	HAUBEHALTER
452	12728710/ 0	4	VITE	SCREW	VIS	SCHRAUBE
453	18563070/ 1	1	MOTORE IBMEI 1600W (230V)	IBMEI MOTOR 1600W (230V)	MOTEUR IBMEI 1600W (230V)	MOTOR IBMEI 1600W (230V)
453.1	18740049/ 0	1	VENTOLA MOTORE IBMEI	IBMEI MOTOR FAN	VENTILATEUR MOTEUR IBMEI	IBMEI LÜFTER

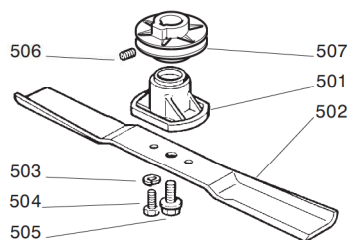
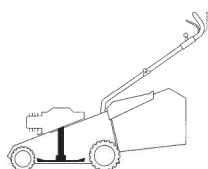
Pos. Nr.	Codice Code Kodex	Q.tà Q.ty-Q.tè Menge	Descrizione	Description	Description	Beschreibung
453.2	18222038/ 0	1	CONDENSATORE 20 µF	CONDENSER 20 µF	CONDENSEUR 20 µF	KONDENSATOR 20 µF
454	12735410/ 0	4	VITE	SCREW	VIS	SCHRAUBE
455	12583500/ 0	4	GROWER	GROWER	GROWER	FEDERRING
456	12293200/ 0	4	DADO	NUT	ECROU	MUTTER
457	22207211/ 3	1	FLANGIA	FLANGE	BRIDE	FLANSCH
458	22720360/ 1	1	SCHERMO VENTILAZIONE	VENTILATION SCREEN	ECRAN VENTILATION	LÜFTUNGSSCHIRM
459	12691800/ 0	4	VITE	SCREW	VIS	SCHRAUBE
460	12139440/ 0	1	LINGUETTA	FEATHER	CLAVETTE	KEIL
461	81003471/ 0	1	DISTANZIALE	SPACER	ENTRETOISE	DISTANZRING

**GRUPPO COLTELLO**

**BLADE ASS.Y**

**GROUPE LAME**

**MESSERSATZ**



D-3662/ 1/ M

T-3662/ 1/ M

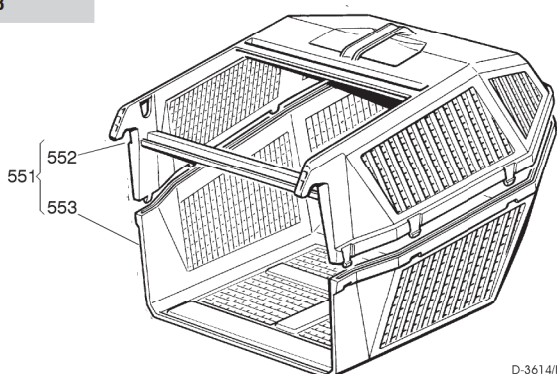
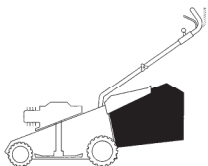
501	22463186/ 2	1	MOZZO	HUB	MOYEU	NABE
502			COLTELLO	BLADE	LAME	MESSER
—	81004341/ 2	1	STANDARD	STANDARD	STANDARD	STANDARD
—	81004396/ 0	1	ALETTATO	WINGED	AILETTÉE	FLÜGEL
503	12583500/ 0	2	GROWER	GROWER	GROWER	FEDERRING
504	12793101/ 0	2	VITE	SCREW	VIS	SCHRAUBE
505	81004352/ 0	1	VITE	SCREW	VIS	SCHRAUBE
506	12713801/ 0	1	GRANO	DOWEL	GRAIN	STIFT
507	22601911/ 0	1	PULEGGIA	PULLEY	POUILE	RIEMENSCHLEIBE

**SACCO RACCOGLIERBA**

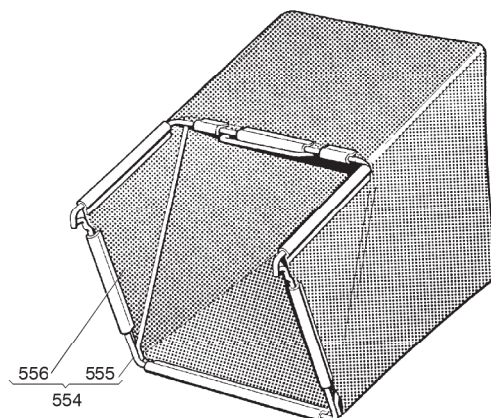
**GRASS-CATCHER**

**BAC DE RAMASSAGE**

**GRASFANGKORB**



D-3614/N



T-3614/ N

551	98005000/ 1	1	SACCO COMPLETO	COMPLETE GRASS-BOX	SAC COMPLET	KOMPLETTER KORB
552	22486076/ 0	1	PORTE SUP. SACCO	UPPER GRASS BOX	PARTIE SUP. SAC	OBERTORB
553	22486077/ 0	1	PORTE INF. SACCO	LOWER GRASS BOX	PARTIE INF. SAC	UNTERKORB
554	98004000/ 0	1	ASS. SACCO IN TELA	CANVASS GRASSCATCHER	ENSEMBLE SAC EN TOILE	KOMPLETTER SACK
555	81006408/ 0	1	TELAIO	CHASSIS	CHÂSSIS	RAHMEN.
556	81002105/ 2	1	TELA SACCO	FABRIC BOX	TOILE POUR SAC	TUCK FÜR SACK