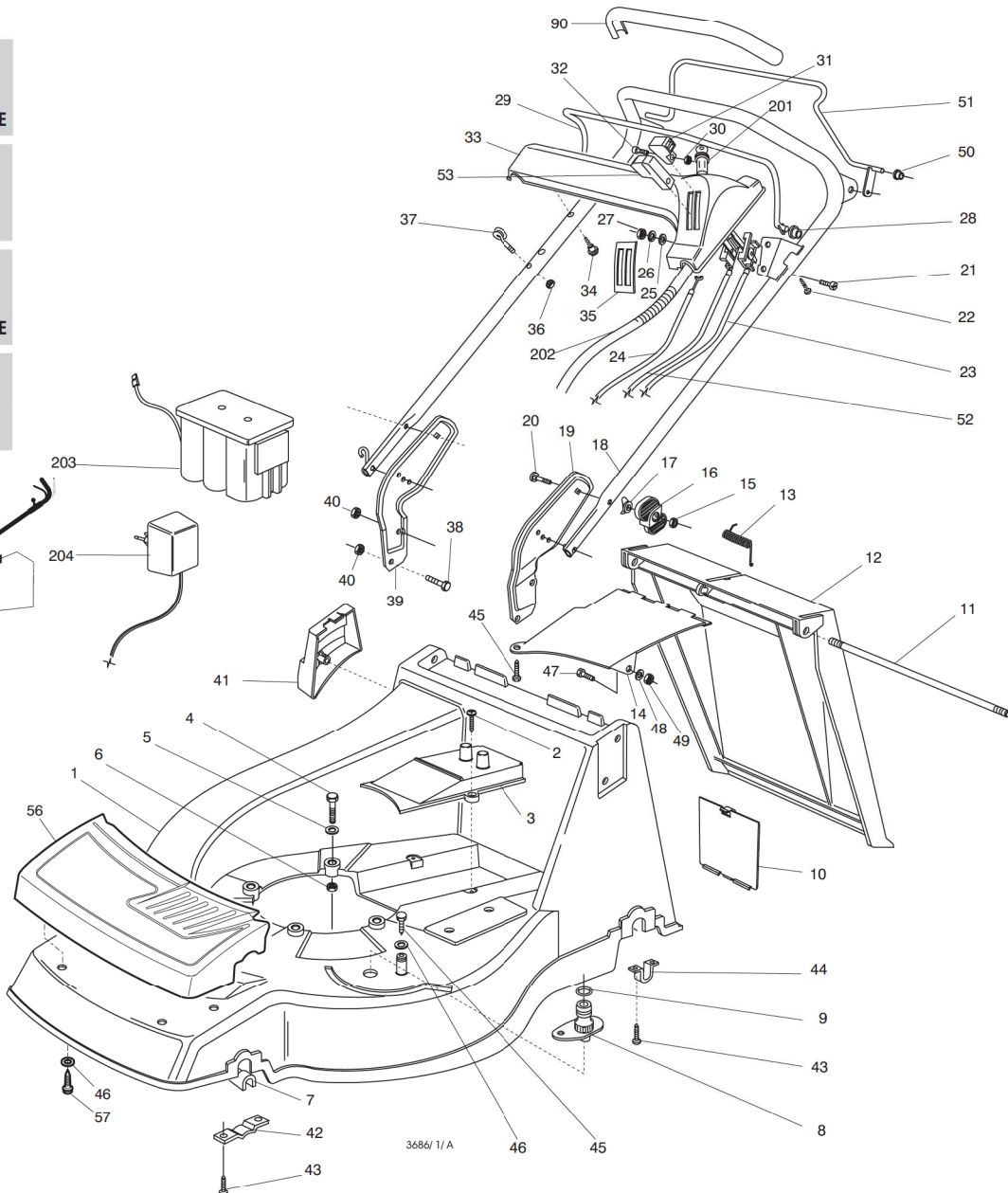


NP 534 TR 3S

NP 534 TR-E 3S

- CHASSIS
MANICO
COMANDI
DOTAZIONE VITERIE**
- DECK
HANDLE
CONTROLS
SCREWS OUTFITS**
- CHÂSSIS
MANCHERON
COMMANDES
DOTATION VISSERIE**
- GEHÄUSE
HOLM
BETÄTIGUNGEN
SCRAUBENSATZ**



- SPARE PARTS CATALOGUE**
- ERSATZTEILKATALOG**
- GB**
- D**
- CATALOGO DELLE PARTI
DI RICAMBIO**
- CATALOGUE DES PIÈCES
DE RECHANGE**
- I**
- F**

T-3686/1/A

Pos. Nr.	Codice Code Kodex	Q.tà Q.ty-Q.tè Menge	Descrizione	Description	Description	Beschreibung
1			CHASSIS	DECK	CHÂSSIS	GEHÄUSE
—	81001652/0	1	ROSSO	RED	ROUGE	ROTES
—	81001654/0	1	GIALLO	YELLOW	JAUNE	GELBES
—	81001656/0	1	VERDE	GREEN	VERT	GRÜNES
—	81001843/	1	ROSSO CON FORI PER MASCHERINA	RED WITH HOLES FOR HALF-MASK	ROUGE AVEC TROUS POUR LOUP	ROT MIT LOCHEN FÜR KLEINE MASKE
—	0	1	GIALLO CON FORI PER MASCHERINA	YELLOW WITH HOLES FOR HALF-MASK	JAUNE AVEC TROUS POUR LOUP	GELB MIT LOCHEN FÜR KLEINE MASKE
—	81001844/	1	VERDE CON FORI PER MASCHERINA	GREEN WITH HOLES FOR HALF-MASK	ROUGE AVEC TROUS POUR LOUP	GRÜN MIT LOCHEN FÜR KLEINE MASKE
2	12728522/0	2	VITE	SCREW	VIS	SCHRAUBE
3	22060181/1	1	CARTER CINGHIA	BELT PROTECTION	PROTECTION COURROIRE	RIEMENSCHUTZ
4	12691800/0	3/2	VITE	SCREW	VIS	SCHRAUBE
—	12692080/0	0/1	VITE	SCREW	VIS	SCHRAUBE
5	12521350/0	3	RONDELLA	WASHER	RONDELLE	SCHEIBE
6	12155000/0	3	DADO	NUT	ECROU	MUTTER
7	22038400/1	2	BRONZINA	BUSH	DOUILLE	BUCHSE
8	22034000/0	1	ATTACCO ACQUA LAVAGGIO	WASHING CONNECTION	ATTAQUE LAVAGE	WASCHENVERBINDUNG
9	19035000/0	1	ANELLO OR	OR RING	BAGUE OR	RING OR
10	22595352/0	1	PORTINA CHIUSURA	INSPECTION DOOR	VOYANT DE VISITE	ABDECKPLATTE
11	22517856/0	1	PERNO	PIN	PIVOT	BOLZEN
12	22600023/2	1	PARASASSI	STONE-GUARD	PARE-PIERRES	PRALLBLECH
13	22450270/0	1	MOLLA	SPRING	RESSORT	FEDER
14	22108205/0	1	CONVOGLIATORE	CONVEYOR	CONVOYEUR	KONVOYOR
15	12293200/0	2	DADO	NUT	ECROU	MUTTER
16	22399803/0	2	MANOPOLINA	KNOB	POIGNÉE	GRIFF
17	22680006/1	2	RONDELLA	WASHER	RONDELLE	SCHEIBE

Pos. Nr.	Codice Code Kodex	Q.tà Q.ty-Q.tè Menge	Descrizione	Description	Description	Beschreibung
18	81007028/0	1	MANICO	HANDLE	MANCHERON	HOLM
19	22778397/0	1	STAFFA SX	LEFT BRACKET	BRIDE GAUCHE	LINKE PRATZE
20	12819120/0	1	VITE	SCREW	VIS	SCHRAUBE
21	12788910/0	2	VITE	SCREW	VIS	SCHRAUBE
22	12728460/0	2	VITE	SCREW	VIS	SCHRAUBE
23	81007091/0	1	ACCELERATORE (B&S)	TROTTLE (B&S)	ACCELERATEUR (B&S)	BESCHLEUNIGER (B&S)
—	81007092/0	1	(TECUMSEH-HONDA)	(TECUMSEH-HONDA)	(TECUMSEH-HONDA)	(TECUMSEH-HONDA)
24	81000628/0	1	CAVO FRENO MOTORE (HONDA)	THREAD MOTOR BRAKE (HONDA)	CABLE FREIN MOTEUR (HONDA)	MOTORBREMSEKABEL (HONDA)
—	81000629/1	1	(TECUMSEH)	(TECUMSEH)	(TECUMSEH)	(TECUMSEH)
—	81000634/0	1	(B&S)	(B&S)	(B&S)	(B&S)
25	12523020/0	2	RONDELLA	WASHER	RONDELLE	SCHEIBE
26	12581500/0	2	RONDELLA	WASHER	RONDELLE	SCHEIBE
27	12291000/0	2	DADO	NUT	ECROU	MUTTER
28	22041966/0	2	BUSSOLA	BUSH	DOUILLE	BUCHSE
29	81003291/0	1	LEVA	LEVER	LEVIER	HEBEL
30	12290800/0	2	DADO	NUT	ECROU	MUTTER
31	22399801/0	1	MANOPOLINA	KNOB	POIGNÉE	GRIFT
32	12726388/0	1	VITE	SCREW	VIS	SCHRAUBE
33	22120150/0	1	CRUSCOTTO ROSSO	DASH BOARD RED	CONSOLE ROUGE	KONSOLE ROTE
—	22120148/0	1	GIALLO	YELLOW	JAUNE	GELBE
—	22120164/0	1	NERO	BLACK	NOIRE	SCHWARZE
34	22943006/0	1	VITE	SCREW	VIS	SCHRAUBE
35	14356797/0	1	ETICHETTA (TECUMSEN-HONDA)	LABEL (TECUMSEN-HONDA)	ETIQUETTE (TECUMSEN-HONDA)	ETIKETTE (TECUMSEN-HONDA)
—	14356795/0	1	(B&S)	(B&S)	(B&S)	ETIKETTE (B&S)
36	12154330/0	1	DADO	NUT	ECROU	MUTTER
37	22430309/0	1	MOLLA GUIDA	SPRING	RESSORT	FEDER
38	12793301/0	2	VITE	SCREW	VIS	SCHRAUBE
39	22778396/0	1	STAFFA DX	RIGHT BRACKET	BRIDE DROITE	RECHTE PRATZE
40	12155000/0	4	DADO	NUT	ECROU	MUTTER
41	22601001/0	1	PROTEZIONE	PROTECTION	PROTECTION	SCHUTZ
42	22545156/0	2	PIASTRINA	PLATE	PLAQUETTE	PLATTE
43	12731350/0	8	VITE	SCREW	VIS	SCHRAUBE
44	22545152/0	2	PIASTRINA	PLATE	PLAQUETTE	PLATTE
45	12729600/0	2	VITE	SCREW	VIS	SCHRAUBE
46	12523040/0	5	RONDELLA	WASHER	RONDELLE	SCHEIBE
47	12789000/0	2	VITE	SCREW	VIS	SCHRAUBE
48	12523020/0	1	RONDELLA	WASHER	RONDELLE	SCHEIBE
49	12154330/0	1	DADO	NUT	ECROU	MUTTER
50	22041965/0	2	BUSSOLA	BUSH	DOUILLE	BUCHSE
51	81003288/1	1	LEVA TRAZIONE	DRIVING LEVER	LEVIER TRACTION	ANTRIEBHEBEL
52	81007099/0	1	COMANDO MARCE	SPEED DRIVE CONTROL	COMM. CHARGEMENT VITESSE	GÄNGESCHALTUNKABEL
53	22399802/0	1	MANOPOLINA	KNOB	POIGNÉE	GRIFT
55	22291050/0	1	IMPUGNATURA MANICO NERA	HANDGRIP BLACK	POIGNÉE NOIRE	HANDGRIFF SCHWARZER
—	22291051/0	1	ROSSA	RED	ROUGE	RÖTER
—	22291052/0	1	GIALLA	YELLOW	JAUNE	GELBER
56	22226050/0	1	MASCHERINA	MASK	MESQUE	MASKE
57	12735400/0	4	VITE	SCREW	VIS	SCHRAUBE

VARIANTI PER AVVIAMENTO ELETTRICO	PARTS OF ELECTRIC START	COMPOSANTS POUR DÉMARRAGE ÉLECTRIQUE	ELEKTROSTART BESTANDTEILE
-----------------------------------	-------------------------	--------------------------------------	---------------------------

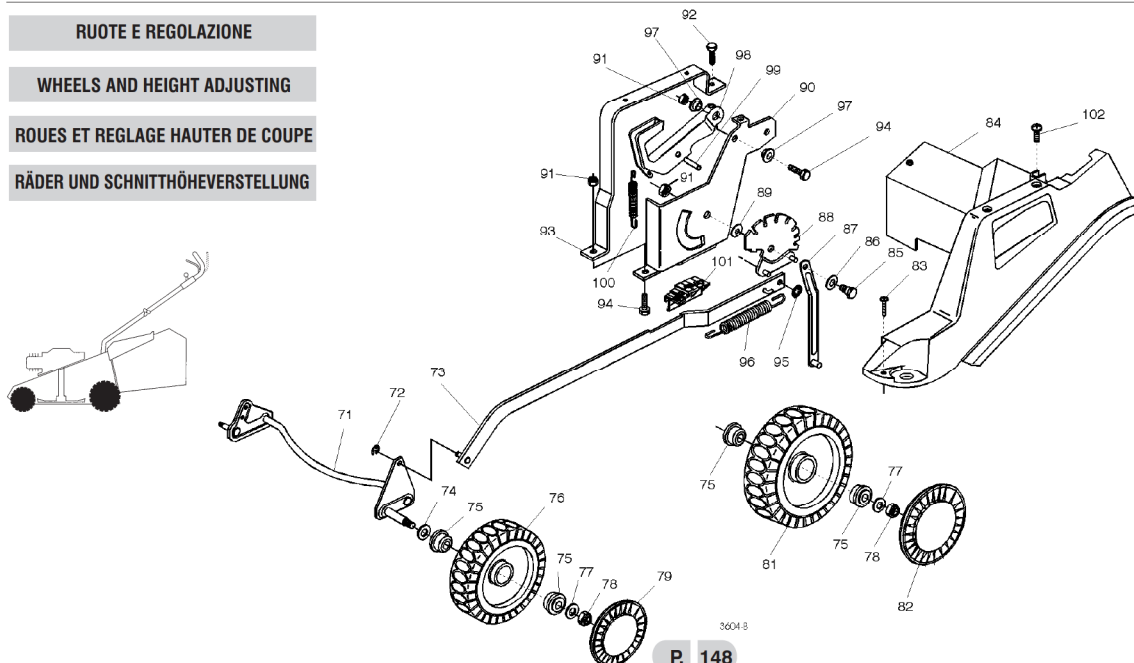
201	18450050/0	1	INTERRUTTORE	SWITCH	INTERRUPTEUR	SCHALTER
202	18204190/2	1	CAVO AVVIAMENTO	START CABLE	CABLE DÉMARRAGE	START KABEL
203	18120050/0	1	BATTERIA	BATTERY 12V-2.5AH	BATTERIE 12V-2.5HA	BATTERIE 12V-2.5AH
204	18204110/0	1	CARICA BATTERIA	BATTERY CHARGER	CHARGEUR DE BATTERIE	LADGERÄT

RUOTE E REGOLAZIONE

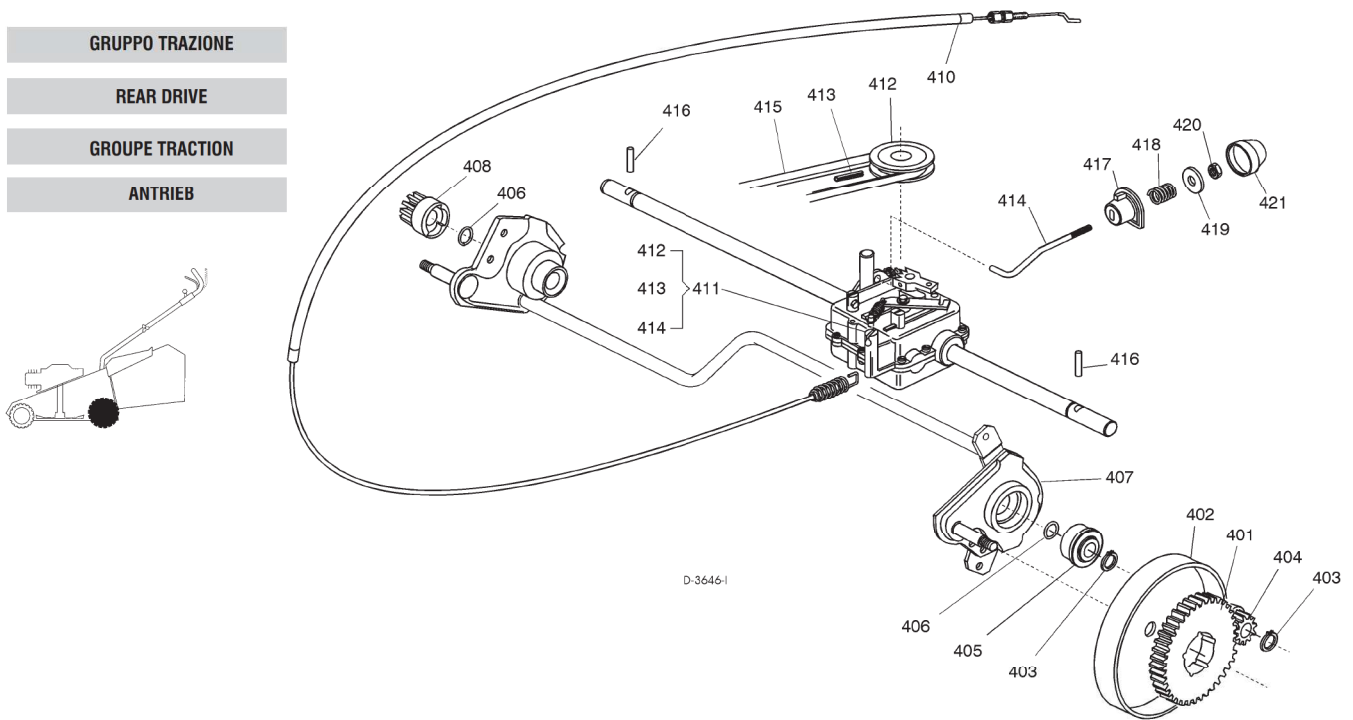
WHEELS AND HEIGHT ADJUSTING

ROUES ET REGLAGE HAUTEUR DE COUPE

RÄDER UND SCHNITTHÖHEVERSTELLUNG



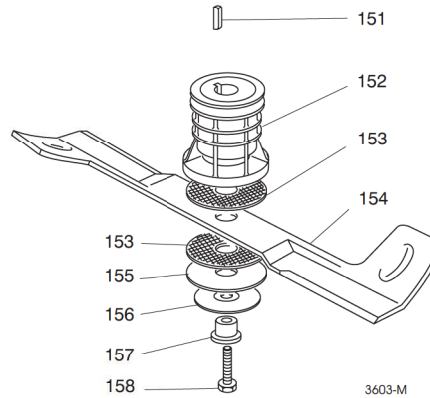
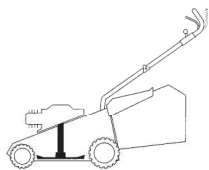
Pos. Nr.	Codice Code Kodex	Q.tà Q.ty-Q.tè Menge	Descrizione	Description	Description	Beschreibung
71	81002801/0	1	ASSE RUOTE ANTERIORI	FRONT WHEELS AXLE	AXE ROUES AVANT	VORDERRADACHSE
72	12000930/0	2	ANELLO ELASTICO	ELASTIC RING	ANNEAU ELASTIQUE	ELASTISCHER RING
73	81001134/0	1	ASTA COMANDO	ADJUSTMENT ROD	TIGE COMMANDE	STELLSTAB
74	12530150/0	2	RONDELLA ELASTICA	ELASTIC WASHER	RONDELLE ELASTIQUE	ELASTISCHE SCHEIBE
75	22122200/0	8	CUSCINETTO	BEARING	COUSSINET	KUGELLAGER
76	81007317/0	2	RUOTA SCOLPITA Ø 170	KNOBBLY WHEEL Ø 170	ROUE SCULPTEE Ø 170	RAD. M. STOLLENPR. Ø 170
77	12521350/0	4	RONDELLA	WASHER	RONDELLE	SCHEIBE
78	12155000/0	4	DADO	NUT	ECROU	MUTTER
79	☛		COPRIMOZZO	HUB CAP	COUVRE-MOYEU	RADKAPPE
—	22110282/0	2	BIANCO	WHITE	BLANC	WEIßE
—	22110288/0	2	GIALLO	YELLOW	JAUNE	GELBE
—	22110290/1	2	ROSSO	RED	ROUGE	ROTE
81	81007318/0	2	RUOTA SCOLPITA Ø 210	KNOBBLY WHEEL Ø 210	ROUE SCULPTEE Ø 210	RAD M. STOLLENPR. Ø 210
82	☛		COPRIMOZZO	HUB CAP	COUVRE-MOYEU	RADKAPPE
—	22110281/0	2	BIANCO	WHITE HUB CAP	COUVRE-MOYEU BLANC	WEIßE RADKAPPE
—	22110287/0	2	GIALLO	YELLOW HUB CAP	COUVRE-MOYEU JAUNE	GELBE RADKAPPE
—	22110289/0	2	ROSSO	RED HUB CAP	COUVRE-MOYEU ROUGE	ROTE RADKAPPE
83	12728519/0	3	VITE	SCREW	VIS	SCHRAUBE
84	22060144/0	1	CARTER REGOLAZIONE	ADJUSTMENT DECK	CHÂSSIS REGLAGE	VERSTELLUNGSGEHÄUSE
85	22529662/0	1	PERNO FULCRO	FULCRUM PIN	PIVOT	BOLZEN
86	22672151/0	1	RONDELLA	WASHER	RONDELLE	SCHEIBE
87	81001269/0	1	ASTA ASSE POSTERIORE	ROD REARAXLE	BARRE AXE POSTERIEUR	HINTERACHSESTAB
88	81000479/0	1	SETTORE DI REGOLAZIONE	ADJUSTMENT SECTOR	SECTEUR REGLAGE	VERSTELLUNGSEKTOR
89	22672152/0	1	RONDELLA	WASHER	RONDELLE	SCHEIBE
90	22785109/0	1	SUPPORTO REGOLAZIONE	SUPPORT	SUPPORT REGLAGE	VERSTELLUNGHALTER
91	12293201/0	4	DADO	NUT	ECROU	MUTTER
92	12729600/0	1	VITE	SCREW	VIS	SCHRAUBE
93	22785113/0	1	SUPPORTO MANIGLIA	HANDLE SUPPORT	SUPPORT POIGNÉE	GRIFFHALTER
94	12793301/0	3	VITE	SCREW	VIS	SCHRAUBE
95	12604899/0	2	ANELLO ELASTICO	ELASTIC RING	ANNEAU ELASTIQUE	ELASTISCHER RING
96	22446180/0	1	MOLLA	SPRING	RESSORT	FEDER
97	25038002/0	2	BUSSOLA	BUSH	DOUILLE	BUCHSE
98	22393611/1	1	MANIGLIA	HANDLE	POIGNÉE	GRIFF
99	12622640/0	1	SPINA	PIN	GOUPILLE	STIFT
100	22446175/0	1	MOLLA	SPRING	RESSORT	FEDER
101	22570200/0	1	PLACCHETTA POSIZIONI	POSITION PLATE	PLAQUETTE REGLAGE	VERSTELLUNGPLATTE
102	12728520/0	1	VITE	SCREW	VIS	SCHRAUBE



401	22120105/1	2	CORONA	RING GEAR	COURONNE	KRANZ
402	81006846/0	2	PROTEZIONE RUOTE	WHEEL GUARD	PROTECTION ROUE	RÄDERSCHUTZ
403	12608600/0	4	SEEGER	SEEGER	SEEGER	SEEGER
404	22570120/0	1	PIGNONE SINISTRO	LEFT PINION	PIGNON GAUCHE	LINKES RITZEL
405	22122200/0	2	CUSCINETTO	BEARING	ROULEMENT	KUGELLAGER
406	12019900/0	2	ANELLO OR	OR RING	BAGUE OR	RING OR
407	81002808/1	1	ASSE RUOTE POSTERIORI	REAR WHEELS AXLE	AXE ROUES ARRIERE	HINTERRADACHSE
408	22570110/0	1	PIGNONE DESTRO	RIGHT PINION	PIGNON DROITE	RECHTES RITZEL
410	81001139/0	1	ASS. COMANDO TRAZIONE	REAR DRIVE ASS.Y	ENS. COMMANDE TRACTION	ANTRIEBKABEL
411	81003071/0	1	ASS. GRUPPO TRAZIONE	REAR DRIVE ASS.Y	ENS. GROUPE TRACTION	ANTRIEBSATZ
412	22601908/0	1	PULEGGIA	PULLEY	POULIE	RIEMENSCHIEBE
413	12645705/0	1	SPINA	PIN	GOUPILLE	STIFT
414	22033281/0	1	ASTA REGOLAZIONE	ADJUSTMENT ROD	TIGE REGLAGE	VERSTELLUNGSTANGE
415	35064197/0	1	CINGHIA	BELT	COURROIRE	RIEMEN

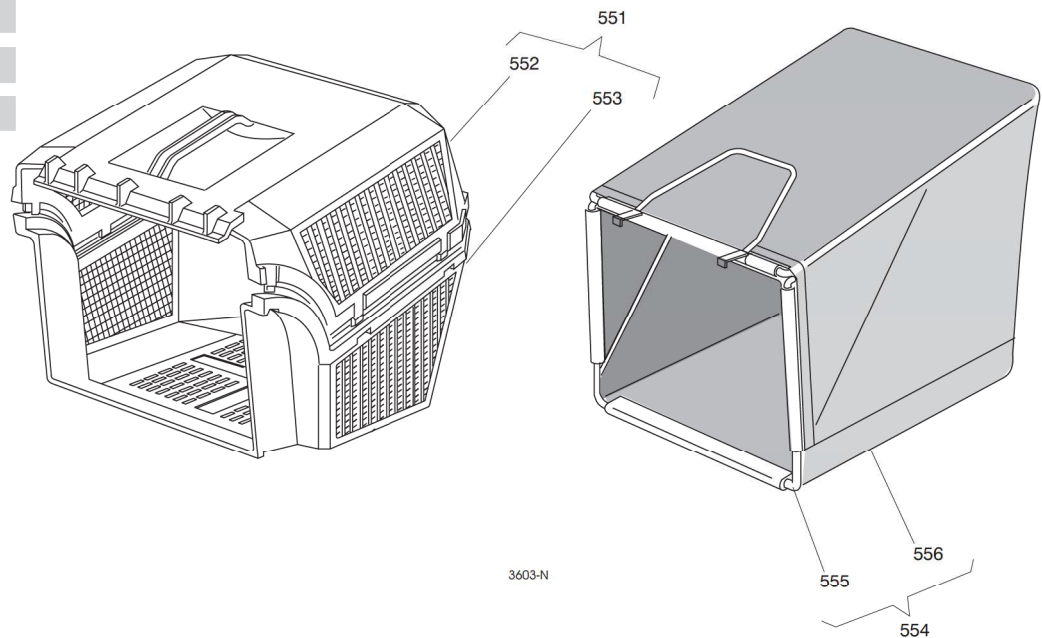
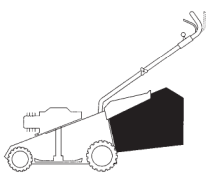
Pos. Nr.	Codice Code Kodex	Q.tà Q.ty-Q.tè Menge	Descrizione	Description	Description	Beschreibung
416	22753000/0	2	SPINA	PIN	GOUPILLE	STIFT
417	22041957/0	1	BUSSOLA	BUSH	DOUILLE	BUCHSE
418	22450063/0	1	MOLLA	SPRING	RESSORT	FEDER
419	22680009/0	1	RONDELLA	WASHER	RONDELLE	SCHEIBE
420	12154510/0	1	DADO	NUT	ECROU	MUTTER
421	22110230/0	1	TAPPO	CAP	BOUCHON	GUMMISTOPFEN

- GRUPPO COLTELLO**
- BLADE ASS.Y**
- GROUPE LAME**
- MESSERSATZ**



T-3643/ M	151	12139100/0	1	LINGUETTA	FEATHER	CLAVETTE	KEIL
	152	22465611/0	1	MOZZO	HUB	MOYEU	NABE
	153	22672110/1	2	RONDELLA FRIZIONE	CLUTCH WASHER	RONDELLE FRICTION	KUPPLUNGSCHEIBE
	154	81004398/0	1	COLTELLO	BLADE	LAME	MESSER
	155	12508120/0	1	MOLLA A TAZZA	CUPPED SPRING	RESSORT	TELLER FEDER
	156	22672105/0	1	RONDELLA	WASCHER	RONDELLE	SCHEIBE
	157	22041940/0	1	BUSSOLA FRIZIONE	CLUTCH BUSH	DOUILLE FRICTION	KUPPLUNGSCHEIBE
	158	12736850/0	1	VITE	SCREW	VIS	SCHRAUBE

- SACCO RACCOGLIERBA**
- GRASS-CATCHER**
- BAC DE RAMASSAGE**
- GRASFANGKORB**



T-3640/ N	551	96500000/0	1	SACCO COMPLETO	COMPLETE GRASS-BOX	BAC COMPLETE	KOMPLETER KORB
	552	22486065/0	1	PARTE SUPER. SACCO	UPPER GRASS-BOX	PARTE SUPERIEURE SAC	OBERKORB
	553	22486064/0	1	PARTE INFER. SACCO	LOWER GRASS-BOX	PARTE INFERIEURE SAC	UNTERKORB
	554	96400000/0	1	ASS. SACCO TELA	CANVASS GRASSCATCHER ASS.Y	ENSEMBLE SAC EN TOILE	KOMPLETTER SACK
	555	81006430/0	1	TELAIO	CHASSIS	CHASSIS	RAHMEN
	556	81002124/0	1	TELA SACCO	FABRIC BOX	TOILE POUR SAC	TUCK FÜR SACK
—	81008610/0	1	DOTAZIONE VITERIA	SCREWS OUTFIT	DOTATION VISSERIE	SCHRAUBEN SATZ	
—	81008498/0	1	DOTAZIONE CRUSCOTTO	DASH-BOARD OUTFIT	DOTATION CONSOLE	KONSOLE SATZ	