

**T 434**

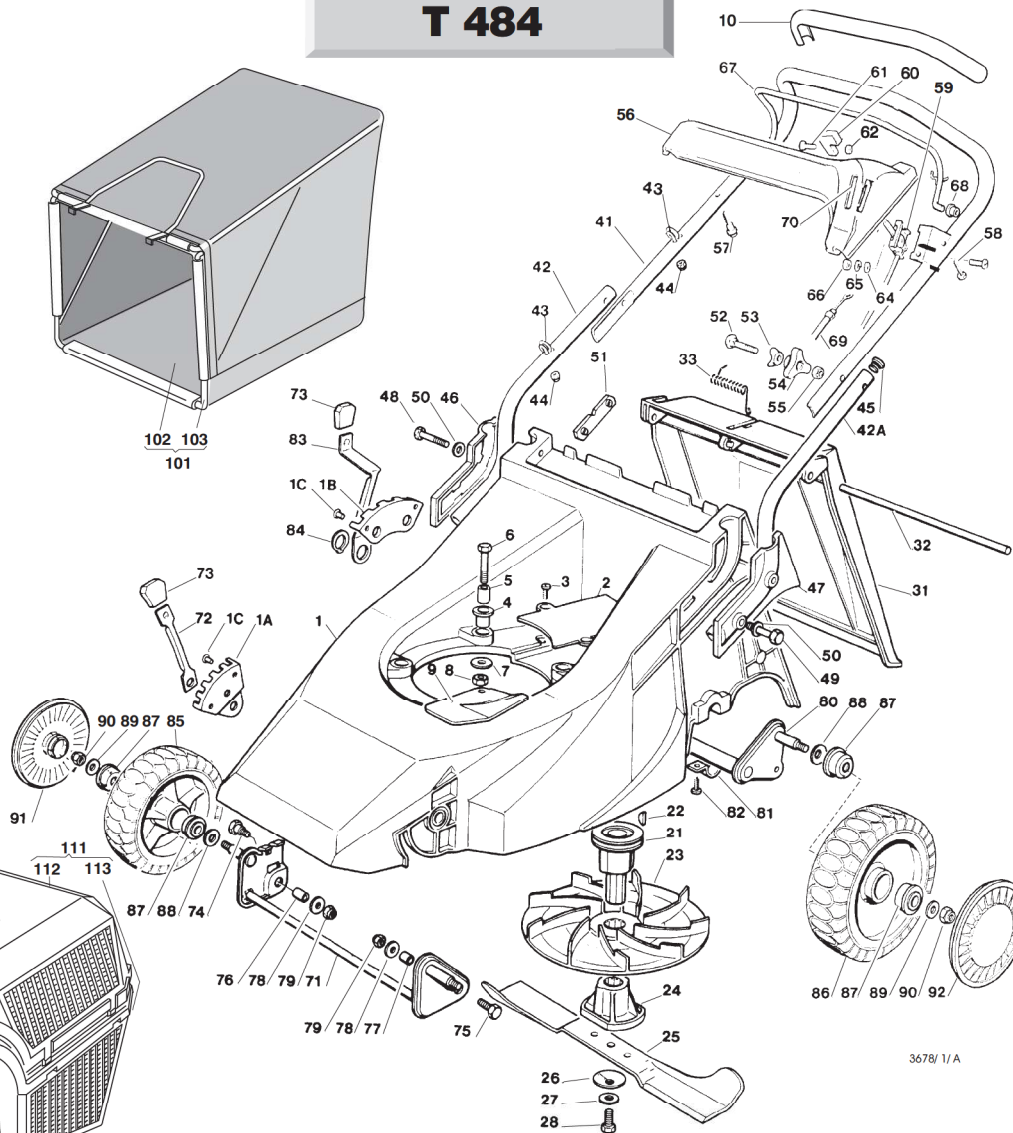
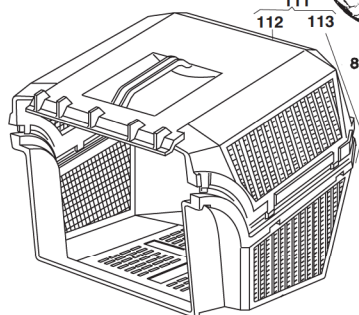
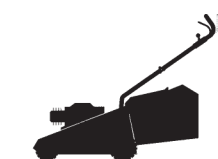
**T 484**

**CHASSIS  
MANICO  
COMANDI  
DOTAZIONE VITERIE**

**DECK  
HANDLE  
CONTROLS  
SCREWS OUTFITS**

**CHÂSSIS  
MANCHERON  
COMMANDES  
DOTATION VISSERIE**

**GEHÄUSE  
HOLM  
BETÄTIGUNGEN  
SCRAUBENSATZ**



**SPARE PARTS CATALOGUE**

**GB**

**ERSATZTEILKATALOG**

**D**

**CATALOGO DELLE PARTI  
DI RICAMBIO**

**I**

**CATALOGUE DES PIÈCES  
DE RECHANGE**

**F**

T-3638/ A

Pos. Nr.	Codice Code Kodex	Q.tà Q.ty-Q.tè Menge	Descrizione	Description	Description	Beschreibung
1			CHASSIS	DECK	CHÂSSIS	GEHÄUSE
1	81001415/ 1	1	ROSSO T 434	RED T 434	ROUGE T 434	ROTES T 434
—	81001417/ 1	1	GIALLO T 434	YELLOW T 434	JAUNE T 434	GELBES T 434
—	81001421/ 1	1	VERDE T 434	GREEN T 434	VERT T 434	GRÜNES T 434
—	81001416/ 1	1	ROSSO T 484	RED T 484	ROUGE T 484	ROTES T 484
—	81001418/ 1	1	GIALLO T 484	YELLOW T 484	JAUNE T 484	GELBES T 484
—	81001422/ 1	1	VERDE T 484	GREEN DECK T 484	VERT T 484	GRÜNES T 484
1A	22735535/ 0	1	SETTORE REGOLAZIONE	ADJUSTMENT SECTOR	SECTEUR REGLAGE	VERSTELLUNGSEKTOR
1B	22735508/ 0	1	SETTORE REGOLAZIONE	ADJUSTMENT SECTOR	SECTEUR REGLAGE	VERSTELLUNGSEKTOR
1C	12500070/ 0	3	RIVETTO	RIVET	RIVET	NIETE
2			CARTER CINGHIA	BELT PROTECTION T	PROTECTION COURROIRE	RIEMENSCHUTZ
—	22060171/ 0	1	T 434	T 434	T 434	T 434
—	22060172/ 0	1	T 484	T 484	T 484	T 484
3	12728680/ 0	2	VITE	SCREW	VIS	SCHRAUBE
4	22040265/ 0	3	BUSSOLA	BUSH	DOUILLE	BUCHSE
5	22167840/ 0	3	DISTANZIALE	SPACER	ENTRETOISE	DISTANZRING
6	12691800/ 0	3	VITE	SCREW	VIS	SCHRAUBE
7	12523070/ 0	3	RONDELLA	WASHER	RONDELLE	SCHIBE
8	12155000/ 0	3	DADO	NUT	ECROU	MUTTER
9	22484070/ 0	1	PARACALORE	MUFFLER GUARD	GRILLE DE PROTECTION	SCHUTZABDECKUNG
			IMPUGNATURA MANICO	HANDGRIP	POIGNÉE	HANDGRIFF
10	22291050/ 0	1	NERA	BLACK	NOIRE	SCHWARZER
—	22291051/ 0	1	ROSSA	RED	ROUGE	RÖTER
—	22291052/ 0	1	GIALLA	YELLOW	JAUNE	GELBER
21	22465605/ 0	1	MOZZO GIRANTE	HUB FAN	MOYEU VENTILATEUR	LÄUFENDENABE
22	12139100/ 0	1	LINGUETTA	FEATHER	CLAVETTE	KEIL
23	22245080/ 0	1	GIRANTE	FAN	VENTILATEUR	LUEFTER
24	22465604/ 0	1	MOZZO	HUB	MOYEU	HALTER
25			COLTELLO	BLADE	LAME	MESSER
—	81004396/ 0	1	ALETTATO 41 cm.	WINGED 41 cm.	AILETTÉE 41 cm.	FLÜGEL 41 cm.
—	81004341/ 2	1	STANDARD 41 cm.	STANDARD 41 cm.	STANDARD 41 cm.	STANDARD 41 cm.

Pos. Nr.	Codice Code Kodex	Q.tà Q.ty-Q.tè Menge	Descrizione	Description	Description	Beschreibung
—	81004397/0	1	ALETTATO 46 cm.	WINGED46 cm.	AILETTÉE 46 cm.	FLÜGEL46 cm.
—	81004346/2	1	STANDARD 46 cm.	STANDARD 46 cm.	STANDARD 46 cm.	STANDARD 46 cm.
26	22160400/0	1	DISCO ELASTICO	ELASTIC WASHER	RONDELLE ELASTIQUES	ELASTISCHE SCHEIBE
27	12523080/0	1	RONDELLA	WASHER	RONDELLE	SCHEIBE
28	12736820/0	1	VITE	SCREW	VIS	SCHRAUBE
31	22600023/2	1	PARASASSI	STONE-GUARD	PARE-PIERRES	PRALLBLECH
32	22517907/0	1	PERNO	PIN	PIVOT	BOLZEN
33	22450270/0	1	MOLLA	SPRING	RESSORT	FEDER
41	81007020/0	1	PORTE SUPERIORE MANICO	UPPER HANDLE	PARTIE SUP. MANCHERON	OBERHOLM
42A	81006917/0	1	MANICO INFERIORE SX	LEFT LOWER HANDLE	PARTIE INF. MANCHERON G.	LINKER UNTERHOLM
42	81007015/0	1	MANICO INFERIORE DX	RIGHT LOWER HANDLE	PARTIE INF. MANCHERON D.	RECHTER UNTERHOLM
43	22430309/0	2	MOLLA	SPRING	RESSORT	FEDER
44	12154330/0	2	DADO	NUT	ECROU	MUTTER
45	18566110/0	2	PUNTALE	CAP	BOUCHON	GUMMISTOPFEN
46	22600042/0	1	PROTEZ. MANICO DX	RIGHT HANDLE PROT.	PROT. MANCHERON DROITE	RECHTER HOLMSCHUTZ
47	22600043/0	1	PROTEZ. MANICO SX	LEFT HANDLE PROT.	PROT. MANCHERON GAUCHE	LINKER HOLMSCHUTZ
48	12691400/0	2	VITE	SCREW	VIS	SCHRAUBE
49	12691900/0	2	VITE	SCREW	VIS	SCHRAUBE
50	12521350/0	4	RONDELLA	WASHER	RONDELLE	SCHEIBE
51	22551632/1	2	PIASTRINA FISSAGGIO MANICO	PLATE FOR HANDLE FASTENING	PLAQUETTE FIXAGE MANCHERON	HOLMBEFESTIGUNG PLÄTTCHEN
52	12819120/0	2	VITE	SCREW	VIS	SCHRAUBE
53	22680006/1	2	ROSETTA	WASHER	RONDELLE	SCHEIBE
54	22399900/0	2	MANOPOLINA	KNOB	POIGNÉE	GRIFF
55	12293200/0	2	DADO	NUT	ECROU	MUTTER
56	—	—	CRUSCOTTO	DASH BOARD	CONSOLE	KONSOLE
—	22120150/0	1	ROSSO	RED	ROUGE	ROTE
—	22120148/0	1	GIALLO	YELLOW	JAUNE	GELBE
—	22120164/0	1	NERO	BLACK	NOIRE	SCHWARZE
57	22943006/0	1	VITE	SCREW	VIS	SCHRAUBE
58	12728460/0	1	VITE	SCREW	VIS	SCHRAUBE
59	81007138/0	1	ASSIEME ACCELERATORE	TROTTLER UNIT ASS.Y	ENS. ACCELERATEUR	BESCHLEUNIGER SATZ
60	22399801/0	1	MANOPOLINA	KNOB	POIGNÉE	GRIFF
61	12726388/0	1	VITE	SCREW	VIS	SCHRAUBE
62	12290800/0	1	DADO	NUT	ECROU	MUTTER
63	12788910/0	2	VITE	SCREW	VIS	SCHRAUBE
64	12523020/0	2	RONDELLA	WASHER	RONDELLE	SCHEIBE
65	12581500/0	2	GROWER	GROWER	GROWER	FEDERRING
66	12291000/0	2	DADO	NUT	ECROU	MUTTER
67	81003291/2	1	ASS. LEVA FRENO MOTORE	BRAKE LEVER ASS.Y	ENS. LEVIER FREIN MOTEUR	MOTORBREMSEHEBEL
68	22041966/0	2	BUSSOLA	BUSH	DOUILLE	BUCHSE
69	—	—	ASS. CAVO FRENO MOTORE	THREAD MOTOR ASS.Y	CABLE FREIN MOTEUR	MOTORBREMSEKABEL
—	81001106/2	1	T 434 (QUANTUM XM)	T 434 (QUANTUM XM)	T 434 (QUANTUM XM)	T 434 (QUANTUM XM)
—	81000622/2	1	T 434-T 484 (TECUMSEH)	T 434-T 484 (TECUMSEH)	T 434-T 484 (TECUMSEH)	T 434-T 484 (TECUMSEH)
—	81001105/1	1	T 484 (QUANTUM XM-ES 40)	T 484 (QUANTUM XM-ES 40)	T 484 (QUANTUM XM-ES 40)	T 484 (QUANTUM XM-ES 40)
—	81000639/0	1	T 484 (HONDA GCV 135/ 160)	T 48 (HONDA GCV 135/ 160)	T 48 (HONDA GCV 135/ 160)	T 48 (HONDA GCV 135/ 160)
—	81000621/1	1	T 484 T 434 (SPRINT 375/ QUATTRO)	T 484 T 434 (SPRINT 375/ QUATTRO)	T 484 T 434 (SPRINT 375/ QUATTRO)	T 484 T 434 (SPRINT375/ QUATTRO)
70	—	—	ETICHETTA (TECUMSEH)	LABEL (TECUMSEH)	ETIQUETTE (TECUMSEH)	ETIKETTE (TECUMSEH)
—	14356692/0	1	(B&S)	(B&S)	(B&S)	(B&S)
—	14356693/0	1	ASSE RUOTE ANT.	FRONT WHEELS AXLE	AXE ROUES AVANT	VORDERRADACHSE
71	—	—	T 434	T 434	T 434	T 434
—	81001408/0	1	T 484	FRONT WHEELS AXLE T 484	AXE ROUES AVANT T 484	T 484
72	22321502/0	1	LEVA REGOLAZIONE	ADJUSTMENT LEVER	LEVIER REGLAGE	VERSTELLUNGHEBEL
73	22400000/1	2	MANOPOLINA	KNOB	POIGNÉE	GRIFF
74	22519510/0	1	PERNO	PIN	PIVOT	BOLZEN
75	12691100/0	1	VITE	SCREW	VIS	SCHRAUBE
76	22170950/0	1	DISTANZIALE DX	RIGHT SPACER	ENTRETOISE DROITE	RECHTER DISTANZRING
77	22170940/0	1	DISTANZIALE SX	LEFT SPACER	ENTRETOISE GAUCHE	LINKER DISTANZRING
78	12523060/0	2	ROSETTA	WASHER	RONDELLE	SCHEIBE
79	12155000/0	2	DADO	NUT	ECROU	MUTTER
80	81001406/0	1	ASSE RUOTE POST.	REAR WHEELS AXLE	AXE ROUES ARRIERE	HINTERRADACHSE
81	22545152/0	2	PIASTRINA	PLATE	PLAQUETTE	PLÄTTCHEN
82	12735402/0	4	VITE	SCREW	VIS	SCHRAUBE
83	22321497/0	1	LEVA REGOLAZIONE	ADJUSTMENT LEVER	LEVIER REGLAGE	VERSTELLUNGHEBEL
84	12609260/0	1	ANELLO ARRESTO	RING	ANNEAU DE TENNUE	RING
85	81007317/0	2	RUOTA SCOLPITA Ø 170	KNOBBLBY WHEEL Ø 170	ROUE SCULPTEE Ø 170	RAD M. STOLLENPR. Ø 170
86	81007318/1	2	RUOTA SCOLPITA Ø 210	KNOBBLBY WHEEL Ø 210	ROUE SCULPTEE Ø 210	RAD M. STOLLENPR. Ø 210
87	22122200/0	8	CUSCINETTO	BEARING	COUSSINET	KUGELLAGER
88	12530150/0	4	ROSETTA ELASTICA	ELASTIC WASHER	RONDELLE ELASTIQUE	ELASTISCHE SCHEIBE
89	12521350/0	4	ROSETTA	WASHER	RONDELLE	SCHEIBE
90	12155000/0	4	DADO	NUT	ECROU	MUTTER
91	—	—	COPRIMOZZO	HUB CAP	COUVRE-MOYEU	RADKAPPE
—	22110282/0	2	BIANCO	WHITE	BLANC	WEIBE
—	22110288/0	2	GIALLO	YELLOW	JAUNE	GELBE
—	22110290/0	2	ROSSO	RED	ROUGE	ROTE
92	—	—	COPRIMOZZO	HUB CAP	COUVRE-MOYEU	RADKAPPE
—	22110281/0	2	BIANCO	WHITE	BLANC	WEIBE
—	22110287/0	2	GIALLO	YELLOW	JAUNE	GELBE
—	22110289/0	2	ROSSO	RED	ROUGE	ROTE
101	96400000/0	1	ASS. SACCO IN TELA	CANVASS GRASSCATCHERASS.Y	ENSEMBLE SAC EN TOILE	KOMPLETTER SACK
102	81002124/1	1	TELA SACCO	FABRIC BOX	TOILE POUR SAC	TUCK FÜR SACK
103	81006430/0	1	TELAIO	CHASSIS	CHÂSSIS	RAHMEN
111	96500000/0	1	SACCO COMPLETO	COMPLETE GRASS-BOX	SAC COMPLET	KOMPLETTER KORB
112	22486065/0	1	PORTE SUP. SACCO	UPPER GRASS-BOX	PARTIE SUP. SAC	OBERSKORB
113	22486064/0	1	PORTE INF. SACCO	LOWER GRASS-BOX	PARTIE INF. SAC	UNTERSCHORB
—	81008606/0	1	DOTAZIONE VITERIA	SCREWS OUTFIT	DOTATION VISSERIE	SCHRAUBEN SATZ