

NG 414

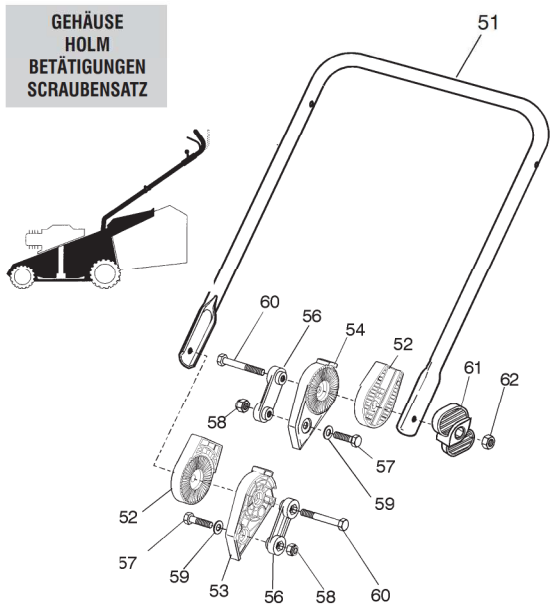
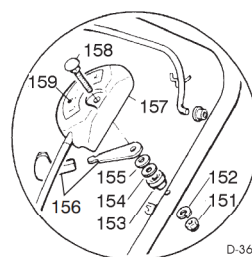
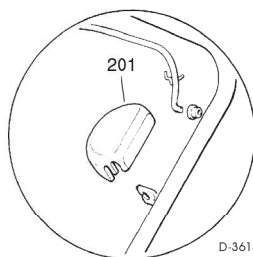
NG 464

CHASSIS
MANICO
COMANDI
DOTAZIONE VITERIE

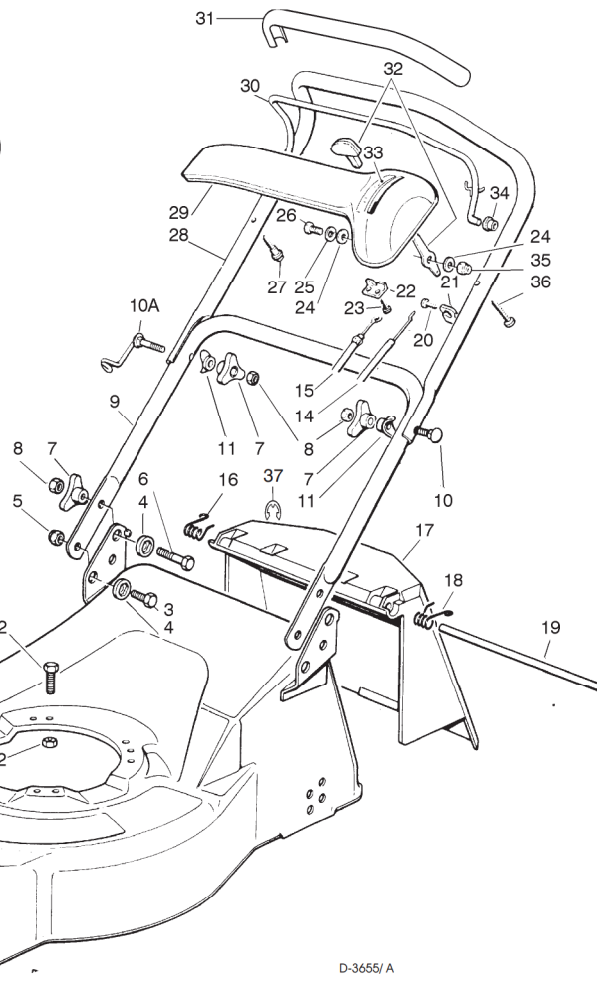
DECK
HANDLE
CONTROLS
SCREWS OUTFITS

CHÂSSIS
MANCHERON
COMMANDES
DOTATION VISSERIE

GEHÄUSE
HOLM
BETÄTIGUNGEN
SCRAUBENSATZ



D-3614/B



D-3655/A

SPARE PARTS CATALOGUE

GB

ERSATZTEILKATALOG

D

CATALOGO DELLE PARTI
DI RICAMBIO

I

CATALOGUE DES PIÈCES
DE RECHANGE

F

T-3655/A

Pos. Nr.	Codice Code Kodex	Q.tà Q.ty-Q.tè Menge	Descrizione	Description	Description	Beschreibung
1			CHASSIS	DECK	CHÂSSIS	GEHÄUSE
—	81001174/ 1	1	ROSSO NG 414	RED NG 414	ROUGE NG 414	ROTES NG 414
—	81001199/ 1	1	GIALLO NG 414	YELLOW NG 414	JAUNE NG 414	GELBES NG 414
—	81001441/ 1	1	VERDE NG 414	GREEN NG 414	VERT NG 414	GRÜNES NG 414
—	81001175/ 0	1	ROSSO NG 464	RED NG 464	ROUGE NG 464	ROTES NG 464
—	81001282/ 0	1	GIALLO NG 464	YELLOW NG 464	JAUNE NG 464	GELBESNG 464
—	81001442/ 0	1	VERDE NG 464	GREEN NG 464	VERT NG 464	GRÜNES NG 464
2			VITE	SCREW	VIS	SCHRAUBE
—	12793700/ 0	3/ 2	(M8x30)	(M8x30)	(M8x30)	(M8x30)
—	12691800/ 0	0/ 1	(M8x60)	(M8x60)	(M8x60)	(M8x60)
3	12792610/ 0	2	VITE	SCREW	VIS	SCHRAUBE
4	22041955/ 0	4	BUSSOLA	BUSH	DOUILLE	BUCHSE
5	12155000/ 0	2	DADO	NUT	ECROU	MUTTER
6	12793700/ 0	2	VITE	SCREW	VIS	SCHRAUBE
7	22399900/ 0	4	MANOPOLINA	KNOB	POIGNÉE	GRIFF
8	12293200/ 0	4	DADO	NUT	ECROU	MUTTER

Pos. Nr.	Codice Code Kodex	Q.tà Q.ty-Q.tè Menge	Descrizione	Description	Description	Beschreibung
9	81006512/0	1	PARTE INF. MANICO	LOWER HANDLE	PARTIE INF. MANCHERON	UNTERHOLM
10	12819201/0	1	VITE	SCREW	VIS	SCHRAUBE
10A	81003801/0	1	MOLLA GUIDA	SPRING	RESSORT	FEDER
11	22680006/1	2	RONDELLA	WASHER	RONDELLE	SCHEIBE
12	12293201/0	3/2	DADO	NUT	ECROU	MUTTER
—	12155000/0	0/1	DADO	NUT	ECROU	MUTTER
14	81007160/0	1	CAVO ACCELERATORE	THROTTLE CABLE	CABLE ACCELERATEUR	BESCHLEUNIGER KABEL
15	81000633/0	1	CAVO FRENO MOTORE	THREAD MOTOR BRAKE	CABLE FREIN MOTEUR	MOTORBREMSEKABEL
—	81000631/0	1	NG 414 (QUANTUM XM)	NG 414 (QUANTUM XM)	NG 414 (QUANTUM XM)	NG 414 (QUANTUM XM)
—	81000629/1	1	NG 464 (QUANTUM XM)	NG 464 (QUANTUM XM)	NG 464 (QUANTUM XM)	NG 464 (QUANTUM XM)
—	81000625/0	1	NG 414-464 (TECUMSEH)	NG 414-464 (TECUMSEH)	NG 414-464 (TECUMSEH)	NG 414-464 (TECUMSEH)
—	81000625/0	1	NG 414-464(SPRINT 375/ QUATTRO)	NG 414-464(SPRINT 375/ QUATTRO)	NG 414-464(SPRINT 375/ QUATTRO)	NG 414-464(SPRINT 375/ QUATTRO)
16	22450410/1	1	MOLLA DX	RIGHT SPRING	RESSORT DROITE	RECHTE FEDER
17	22600028/4	1	PARASASSI	STONE-GUARD	PARE-PIERRES	PRALLBLECH
18	22450420/1	1	MOLLA SX	LEFT SPRING	RESSORT GAUCHE	LINKE FEDER
19	22517906/1	1	PERNO	PIN	PIVOT	BOLZEN
20	12728518/0	1	VITE	SCREW	VIS	SCHRAUBE
21	22806612/0	1	SUPPORTO	SUPPORT	SUPPORT	HALTER
22	22981467/0	1	PIASTRINA	PLAQUE	PLAQUETTE	PLATTE
23	12735105/0	2	VITE	SCREW	VIS	SCHRAUBE
24	12523040/0	2	RONDELLA	WASHER	RONDELLE	SCHEIBE
25	12530060/0	1	RONDELLA ELASTICA	SPRING WASHER	RONDELLE ELASTIQUE	ELASTISCHE SCHEIBE
26	12791500/0	1	VITE	SCREW	VIS	SCHRAUBE
27	22943006/0	1	VITE	SCREW	VIS	SCHRAUBE
28	81007018/0	1	PARTE SUP. MANICO	UPPER HANDLE	PARTIE SUP. MANCHERON	OBERHOLM
29	22120154/0	1	CRUSCOTTO	DASH BOARD	CONSOLE	KONSOLE
—	22120152/0	1	ROSSO	RED	ROUGE	ROTE
—	22120158/0	1	GIALLO	YELLOW	JAUNE	GELBE
—	22120158/0	1	NERO	BLACK	NOIRE	SCHWARZE
30	81003291/2	1	LEVA FRENO MOTORE	BRAKE LEVER	LEVIER FREIN MOTEUR	MOTORBREMSEHEBEL
31	22291050/0	1	IMPUGNATURA MANICO	HANDGRIP	POIGNÉE	HANDGRIFF
—	22291051/0	1	NERA	BLACK	NOIRE	SCHWARZER
—	22291052/0	1	ROSSA	RED	ROUGE	RÖTER
—	22291052/0	1	GIALLA	YELLOW	JAUNE	GELBER
32	81007280/2	1	ASS. LEVA + MANOPOLINA	LEVER + KNOB ASS. Y	ENS. LEVIER + POIGNÉE	HEBEL + GRIFF SATZ
33	14356743/0	1	ETICHETTA (TECUMSEH-HONDA)	LABEL (TECUMSEH-HONDA)	ETIQUETTE (TECUMSEH-HONDA)	ETIKETTE (TECUMSEH-HONDA)
—	14356744/0	1	(B&S)	(B&S)	(B&S)	(B&S)
34	22041966/0	1	BOCCOLA	BUSH	DOUILLE	BUCHSE
35	12154510/0	1	DADO	NUT	ECROU	MUTTER
36	12728460/0	1	VITE	SCREW	VIS	SCHRAUBE
37	12000930/0	1	ANELLO ELASTICO	SNAP RING	ANNEAU RESSORT	SPRENGRING

—	81008614/1	1	DOTAZIONE VITERIA	SCREWS OUTFIT	DOTATION VISSERIE	SCHRAUBEN SATZ
—	81008609/0	1	DOTAZIONE CRUSCOTTO	DASH-BOARD OUTFIT	DOTATION CONSOLE	KONSOLE SATZ

			VARIANTE REGOLAZIONE MANICO	HANDLE ADJUSTMENT VARIANT	VARIANTE REGLAGE POIGNEE	GRIFFEINSTELLVARIANTE	
T-3615/ B	51	81006510/0	1	PARTE INF. MANICO	LOWER HANDLE	PARTIE INF. MANCHERON	UNTERHOLM
	52	22785081/0	2	SUPPORTO ESTERNO	EXTERNAL SUPPORT	SUPPORT EXTERNE	AUßERE HALTERUNG
	53	22785082/0	1	SUPPORTO INTERNO DX	R. INTERNAL SUPPORT	SUPPORT INTERNE DROIT	INNERE HALTERUNG RECHTS
	54	22785083/1	1	SUPPORTO INTERNO SX	L. INTERNAL SUPPORT	SUPPORT INTERNE GAUCHE	INNERE HALTERUNG LINKS
	56	22551575/0	2	PIASTRINA INTERNA	INSIDE PLAQUE	PLAQUETTE INTERNE	INNERE PLATTE
	57	12793701/0	2	VITE	SCREW	VIS	SCHRAUBE
	58	12155000/0	2	DADO	NUT	ECROU	MUTTER
	59	12521350/0	2	RONDELLA	WASHER	RONDELLE	SCHEIBE
	60	12691810/0	2	VITE	SCREW	VIS	SCHRAUBE
	61	22399803/0	2	MANOPOLINA	KNOB	POIGNÉE	GRIFF
	62	12293202/0	2	DADO	NUT	ECROU	MUTTER
	—	81008623/0	1	DOTAZ. VITERIA	SCREWS OUTFIT	DOTATION VISSERIE	SCHRAUBEN SATZ

			VARIANTE ACCELERATORE	THROTTLE VARIANTS	VARIANTES COMMANDE D'ACCELERATION	ÄNDERUNGEN AUF GASHEBEL	
T-3615/ D	151	12291000/0	1	DADO	NUT	ECROU	MUTTER
	152	12581500/0	1	GROWER	GROWER	GROWER	FEDERRING
	153	22171005/0	1	DISTANZIALE	SPACER	ENTRETOISE	DISTANZRING
	154	12521360/0	1	RONDELLA	WASHER	RONDELLE	SCHEIBE
	155	12508100/0	1	RONDELLA ELASTICA	SPRING WASHER	RONDELLE ELASTIQUE	ELASTISCHE SCHEIBE
	156	81007279/0	1	ASS. LEVA+MANOPOLINA	LEVER+KNOB ASS.Y	ENS. LEVIER+POIGNEE	HEBEL+GRIFF SATZ
	157	81007080/0	1	ASSIEME ACCELERATORE	TROTTLER UNIT ASS.Y	ENS. ACCELERATEUR	BESCHLEUNIGER SATZ
	158	12815000/0	1	VITE	SCREW	VIS	SCHRAUBE
	159	14356702/0	1	ETICHETTA (TECUMSEH-HONDA)	LABEL (TECUMSEH-HONDA)	ETIQUETTE (TECUMSEH-HONDA)	ETIKETTE (TECUMSEH-HONDA)
	—	14356703/0	1	(B&S)	(B&S)	(B&S)	(B&S)

			VARIANTE REGIME FISSO	FIXED SPEED VARIANTS	VARIANTES POUR MODÈLE À REGIME FIXE	ÄNDERUNGEN FÜR MODELLE MIT FIXIERTER DREHZAHL	
T-3615/ E	201	22601000/0		PROTEZIONE	PROTECTION	PROTECTION	SCHUTZ

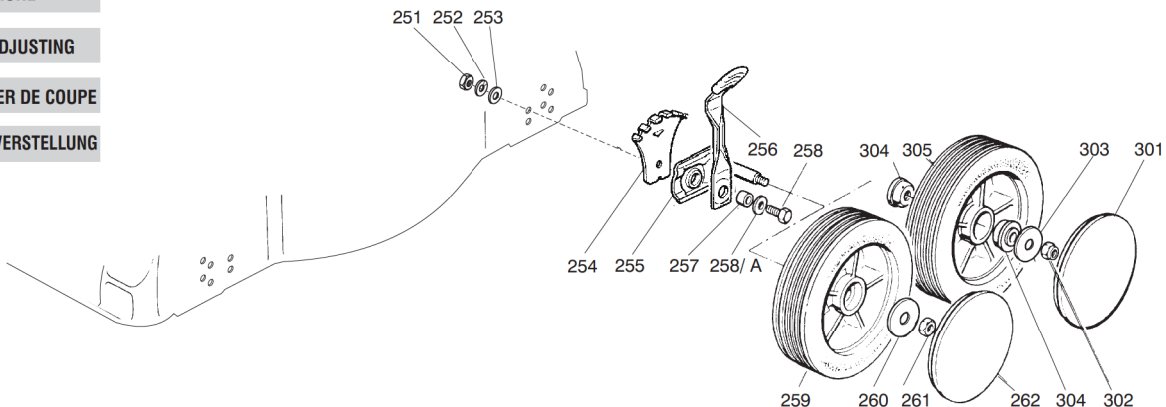
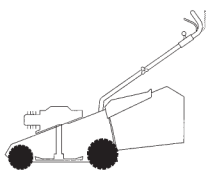
Pos. Nr.	Codice Code Kodex	Q.tà Q.ty-Q.tè Menge	Descrizione	Description	Description	Beschreibung
----------	-------------------	----------------------	-------------	-------------	-------------	--------------

RUOTE E REGOLAZIONE

WHEELS AND HEIGHT ADJUSTING

ROUES ET REGLAGE HAUTER DE COUPE

RÄDER UND SCHNITTHÖHEVERSTELLUNG



D-3654/ 1/F

T-3654/ 1/F	251	12293200/ 0	4	DADO	NUT	ECROU	MUTTER
	252	12583500/ 0	4	GROWER	GROWER	GROWER	FEDERRING
	253	12523070/ 0	4	RONDELLA	WASHER	RONDELLE	SCHEIBE
	254	22735547/ 0	4	SETTORE REGOLAZIONE	ADJUSTMENT SECTOR	SECTEUR REGLAGE	VERSTELLUNGSEKTOR
	255	81005082/ 0	4	SUPPORTO RUOTA	WHEEL SUPPORT	SUPPORT ROUE	RADHALTER
	256	81003285/ 1	4	LEVA REGOLAZIONE	ADJUSTMENT LEVER	LEVIER REGLAGE	VERSTELLUNGHEBEL
	257	22171001/ 0	4	DISTANZIALE	SPACER	ENTRETOISE	DISTANZRING
	258	12793701/ 0	4	VITE	SCREW	VIS	SCHRAUBE
	258A	12521350/ 0	4	RONDELLA	WASHER	RONDELLE	SCHEIBE
	259	81007325/ 0	4	RUOTA Ø 170	WHEEL Ø 170	ROUE Ø 170	RAD Ø 170
	260	12523060/ 0	4	RONDELLA	WASHER	RONDELLE	SCHEIBE
	261	12293201/ 0	4	DADO	NUT	ECROU	MUTTER
	262	22110262/ 0	4	COPRIMOZZO	HUB CAP	COUVRE-MOYEU	RADKAPPE
	—	22110263/ 0	4	BIANCO	WHITE	BLANC	WEIßE
—	22110264/ 0	4	GIALLO	YELLOW	JAUNE	GELBE	
—	22110264/ 0	4	ROSSO	RED	ROUGE	ROTE	

VARIANTI RUOTE Ø 170 SU BOCCOLE	WHEELS Ø 170 VARIANTS ON BUSHES	VARIANTES ROUES Ø 170 SUR DOUILLES	ÄNDERUNGEN AUF RÄDER Ø 170 MIT BÜCHSEN
---------------------------------	---------------------------------	------------------------------------	--

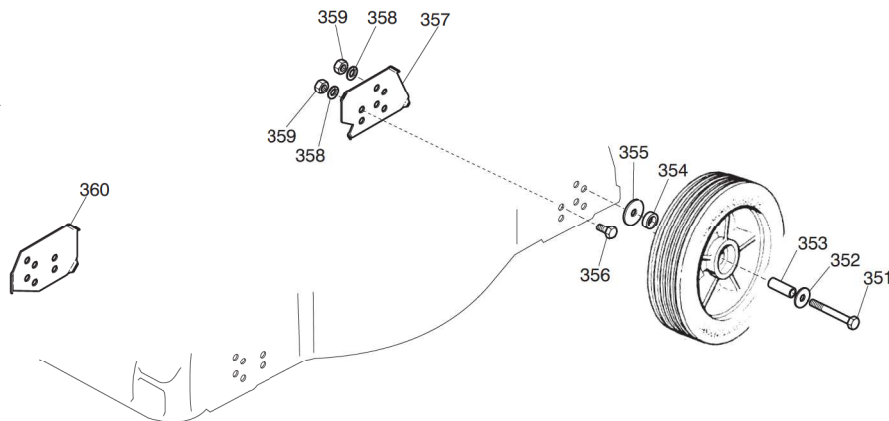
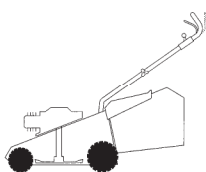
T-3614/ G	301	22110262/ 0	4	COPRIMOZZO	HUB CAP	COUVRE-MOYEU	RADKAPPE
	—	22110263/ 0	4	BIANCO	WHITE	BLANC	WEIßE
	—	22110263/ 0	4	GIALLO	YELLOW	JAUNE	GELBE
	—	22110264/ 0	4	ROSSO	RED	ROUGE	ROTE
	302	12155000/ 0	4	DADO	NUT	ECROU	MUTTER
	303	12523060/ 0	4	RONDELLA	WASHER	RONDELLE	SCHEIBE
	304	22034508/ 0	4	BOCCOLA	BUSH	DOUILLE	BÜCHSE
	305	81007326/ 0	4	RUOTA Ø 170	WHEEL Ø 170	ROUE Ø 170	RAD Ø 170

VARIANTE REGOLAZIONE RUOTE

WHEEL ADJUSTMENT VARIANT

VARIANTE REGLAGE ROUES

RADEINSTELLVARIANTE



D-3614/ H

T-3614/ H	351	12691900/ 0	4	VITE	SCREW	VIS	SCHRAUBE
	352	12523060/ 0	4	RONDELLA	WASHER	RONDELLE	SCHEIBE

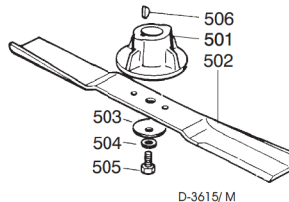
Pos. Nr.	Codice Code Kodex	Q.tà Q.ty-Q.tè Menge	Descrizione	Description	Description	Beschreibung
353	22869650/0	4	TUBO PER RUOTA	WHEEL TUBE	TUBE POUR ROUE	ROHR FÜR RAD
354	22172420/0	4	DISTANZIALE	SPACER	ENTRETOISE	DISTANZRING
355	12523070/0	4	RONDELLA	WASHER	RONDELLE	SCHEIBE
356	12792611/0	4	VITE	SCREW	VIS	SCHRAUBE
357	22551513/0	2	PIASTRA POSTERIORE	BACK PLATE	PLAQUE POSTÉRIEURE	HINTERPLATTE
358	12583500/0	8	GROWER	GROWER	GROWER	GROWER
359	12293200/0	8	DADO	NUT	ECROU	MUTTER
360	22551511/0	2	PIASTRA ANTERIORE	FRONT PLATE	PLAQUE ANTÉRIEURE	VORDERPLATTE

GRUPPO COLTELLO

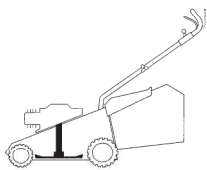
BLADE ASS.Y

GROUPE LAME

MESSERSATZ



D-3615/ M



T-3615/ M

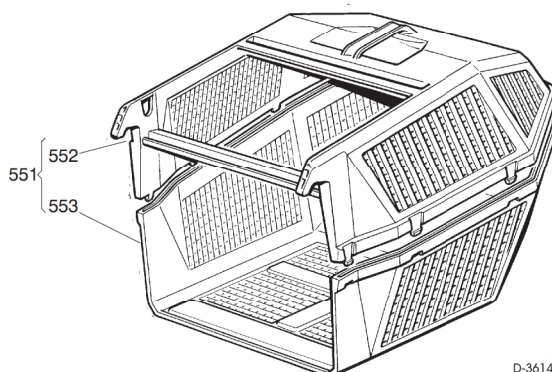
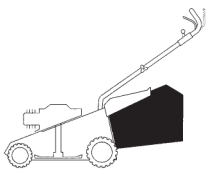
501	22463012/ 1	1	MOZZO	HUB	MOYEU	HALTER
502	81004360/ 2	1	COLTELLO	BLADE	LAME	MESSER
—	81004360/ 2	1	STANDARD 39 cm.	STANDARD 39 cm.	STANDARD 39 cm.	STANDARD 39 cm.
—	81004365/ 1	1	STANDARD 44 cm.	STANDARD 44 cm.	STANDARD 44 cm.	STANDARD 44 cm.
503	22160400/ 0	1	DISCO ELASTICO	ELASTIC WASHER	RONDELLE ELASTIQUE	ELASTISCHE SCHEIBE
504	12523080/ 0	1	RONDELLA	WASHER	RONDELLE	SCHEIBE
505	12735698/ 0	1	VITE	SCREW	VIS	SCHRAUBE
506	12139100/ 0	1	LINGUETTA	FEATHER	CLAVETTE	KEIL

SACCO RACCOGLIERBA

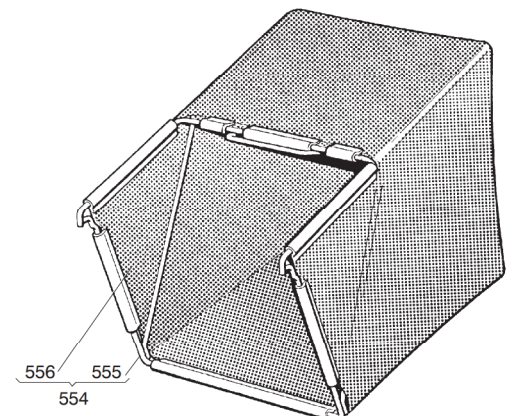
GRASS-CATCHER

BAC DE RAMASSAGE

GRASFANGKORB



D-3614/ N



T-3614/ N

551	98005000/ 1	1	SACCO COMPLETO	COMPLETE GRASS-BOX	SAC COMPLET	KOMPLETTER KORB
552	22486076/ 0	1	PORTE SUP. SACCO	UPPER GRASS BOX	PARTIE SUP. SAC	OBERKORB
553	22486077/ 0	1	PORTE INF. SACCO	LOWER GRASS BOX	PARTIE INF. SAC	UNTERKORB
554	98004000/ 0	1	ASS. SACCO IN TELA	CANVASS GRASSCATCHER	ENSEMBLE SAC EN TOILE	KOMPLETTER SACK
555	81006408/ 0	1	TELAIO	CHASSIS	CHÂSSIS	RAHMEN.
556	81002105/ 2	1	TELA SACCO	FABRIC BOX	TOILE POUR SAC	TUCK FÜR SACK