

TDL 430

TDL 430 S

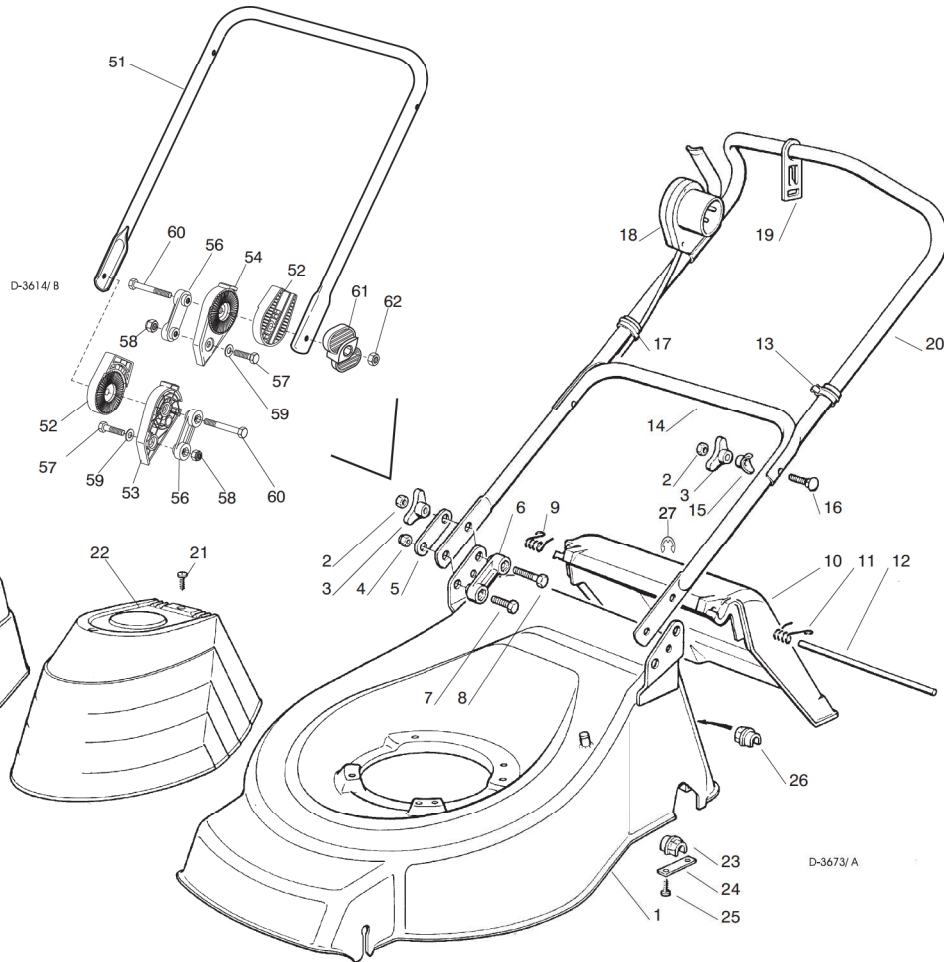
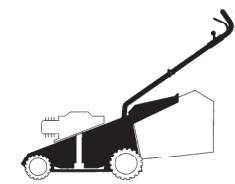
TDL 480

**CHASSIS
MANICO
COMANDI
DOTAZIONE VITERIE**

**DECK
HANDLE
CONTROLS
SCREWS OUTFITS**

**CHÂSSIS
MANCHERON
COMMANDES
DOTATION VISSERIE**

**GEHÄUSE
HOLM
BETÄTIGUNGEN
SCRAUBENSATZ**



SPARE PARTS CATALOGUE

GB

ERSATZTEILKATALOG

D

**CATALOGO DELLE PARTI
DI RICAMBIO**

I

**CATALOGUE DES PIÈCES
DE RECHANGE**

F

T-3673/A

Pos. Nr.	Codice Code Kodex	Q.tà Q.ty-Q.tè Menge	Descrizione	Description	Description	Beschreibung
1			CHASSIS	DECK	CHÂSSIS	GEHÄUSE
-	81001343/0	1	ROSSO TDL 430	RED TDL 430	ROUGE TDL 430	ROTES TDL 430
-	81001353/0	1	GIALLO TDL 430	YELLOW TDL 430	JAUNE TDL 430	GELBES TDL 430
-	81001375/0	1	VERDE TDL 430	GREEN TDL 430	VERT TDL 430	GRÜNES TDL 430
-	81001344/0	1	ROSSO TDL 480	RED TDL 480	ROUGE TDL 480	ROTES DL 480
-	81001355/0	1	GIALLO TDL 480	YELLOW TDL 480	JAUNE TDL 480	GELBES TDL 480
-	81001377/0	1	VERDE TDL 480	GREEN TDL 480	VERT TDL 480	GRÜNES TDL 480
2	12293200/0	4	DADO	NUT	ECROU	MUTTER
3	22399900/0	4	MANOPOLINA	KNOB	POIGNÉE	GRIF
4	12155000/0	2	DADO	NUT	ECROU	MUTTER
5	22551574/0	2	PIASTRINA ESTERNA	OUTSIDE PLAQUE	PLAQUETTE EXTERNE	INNERE PLATTE
6	22551575/0	2	PIASTRINA INTERNA	INSIDE PLAQUE	PLAQUETTE INTERNE	INNERE PLATTE
7	12793300/0	2	VITE	SCREW	VIS	SCHRAUBE
8	12691115/0	2	VITE	SCREW	VIS	SCHRAUBE
9	22450410/1	1	MOLLA DESTRA	RIGHT SPRING	RESSORT DROITE	RECHTE FEDER
10	22600046/1	1	PARASASSI	STONE-GUARD	PARE-PIERRES	PRALLBLECH
11	22450420/1	1	MOLLA SINISTRA	LEFT SPRING	RESSORT GAUCHE	LINKE FEDER
12	22517906/1	1	PERNO	PIN	PIVOT	BOLZEN
13	22192151/0	1	FERMACAVO	FAIR LEAD	FIXATION CABLE	KABELBEFESTIGUNG
14	81006512/0	1	PORTE INFERIORE MANICO	LOWER HANDLE	PARTIE INF. MANCHERON	UNTERKORB
15	22680006/1	2	RONDELLA	WASHER	RONDELLE	SCHEIBE
16	12819201/0	2	VITE	SCREW	VIS	SCHRAUBE
17	22192000/1	2	FASCETTA ANCORAGGIO	ANCHOR CLAMP	COLLIER ANCRAGE	BOWDENZUGHALTER





Pos. Nr.	Codice Code Kodex	Q.tà Q.ty-Q.tè Menge	Descrizione	Description	Description	Beschreibung
18			SALVAMOTORE M.M.	DEAD HAND SWITCH M.M.	INT. MAIN MORTE	TOT MANSCHALTER M.M.
-	18710627/ 1	1	8 A 602 MS (1300W RST)	8 A 602 MS (1300W RST)	8 A 602 MS (1300W RST)	8 A 602 MS (1300W RST)
-	18710628/ 0	1	8 A 603 MS (1300W RST)	8 A 603 MS (1300W RST)	8 A 603 MS (1300W RST)	8 A 603 MS (1300W RST)
			SOLO PER SVIZZERA	ONLY FOR SWITZERLAND	SEUL. POUR LA SUISSE	NUR FÜR SCHWEIZ
-	18710562/ 0	1	8,5 A 602 MS (1300W IBMEI)	8,5 A 602 MS (1300W IBMEI)	8,5 A 602 MS (1300W IBMEI)	8,5 A 602 MS (1300W IBMEI)
-	18710563/ 0	1	8,5 A 603 MS (1300W IBMEI)	8,5 A 603 MS (1300W IBMEI)	8,5 A 603 MS (1300W IBMEI)	8,5 A 603 MS (1300W IBMEI)
			SOLO PER SVIZZERA	ONLY FOR SWITZERLAND	SEUL. POUR LA SUISSE	NUR FÜR SCHWEIZ
-	18710624/ 0	1	8,5 A 607 MS (1300W IBMEI)	8,5 A 607 MS (1300W IBMEI)	8,5 A 607 MS (1300W IBMEI)	8,5 A 607 MS (1300W IBMEI)
-	18710623/ 0	1	9,5 A 607 MS (1600W)	9,5 A 607 MS (1600W)	9,5 A 607 MS (1600W)	9,5 A 607 MS (1600W)
-	18710604/ 0	1	10 A 602 MS (1600W)	10 A 602 MS (1600W)	10 A 602 MS (1600W)	10 A 602 MS (1600W)
-	18710572/ 0	1	10 A 603 MS (1600W)	10 A 603 MS (1600W)	10 A 603 MS (1600W)	10 A 603 MS (1600W)
			SOLO PER SVIZZERA	ONLY FOR SWITZERLAND	SEUL. POUR LA SUISSE	NUR FÜR SCHWEIZ
19	22195101/ 1	1	FERMACAVO	FAIR LEAD	FIXATION CABLE	KABELBEFESTIGUNG
20	81007017/ 1	1	PORTE SUPERIORE MANICO	UPPER HANDLE	PARTIE SUP. MANCHERON	OBERKORB
21	12728680/ 0	2	VITE	SCREW	VIS	SCHRAUBE
22	81002057/ 0	1	CAPOTTINA	COVER	CAPOT	HAUSE
22A	81002059/ 0	1	CAPOTTINA	COVER	CAPOT	HAUSE
23	22038403/ 0	1	BRONZINA SINISTRA	LEFT BUSH	DOUILLE GAUCHE	LINKE BUCHSE
24	22545142/ 0	2	PIASTRINA	PLATE	PLAQUETTE	PLATTE
25	12731350/ 0	4	VITE	SCREW	VIS	SCHRAUBE
26	22038402/ 0	1	BRONZINA DESTRA	RIGHT BUSH	DOUILLE DROITE	RECHTE BUCHSE
27	12000930/ 0	1	ANELLO ELASTICO	SNAP RING	ANNEAU RESSORT	SPRENGRING
—	81008596/ 1		DOTAZIONE VITERIA	SCREWS OUTFIT	DOTATION VISSERIE	SCHRAUBEN SATZ

VARIANTE REGOLAZIONE MANICO	HANDLE ADJUSTMENT VARIANT	VARIANTE REGLAGE POIGNEE	GRIFFEINSTELLVARIANTE
-----------------------------	---------------------------	--------------------------	-----------------------

T-3614/B

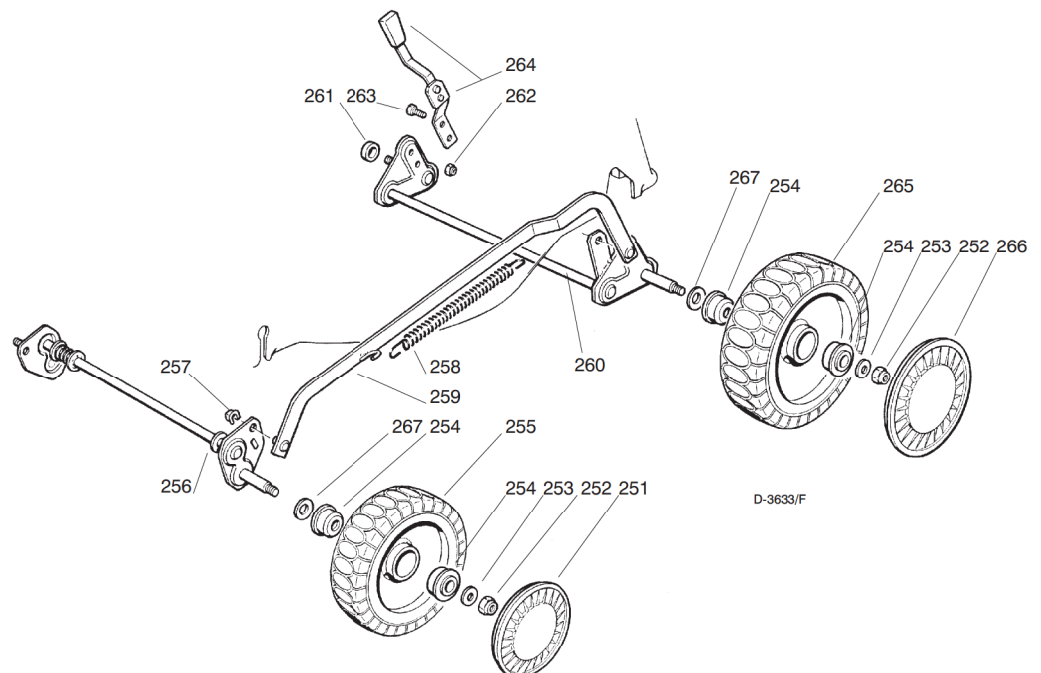
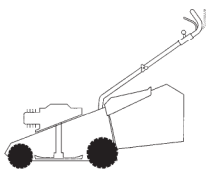
51	81006510/ 0	1	PORTE INFR. MANICO	LOWER HANDLE	PARTIE INF. MANCHERON	UNTERHOLM
52	22785081/ 0	2	SUPPORTO ESTERNO	EXTERNAL SUPPORT	SUPPORT EXTERNE	AUßERE HALTERUNG
53	22785082/ 0	1	SUPPORTO INTERNO DX	R. INTERNAL SUPPORT	SUPPORT INTERNE DROIT	INNERE HALTERUNG RECHTS
54	22785083/ 1	1	SUPPORTO INTERNO SX	L. INTERNAL SUPPORT	SUPPORT INTERNE GAUCHE	INNERE HALTERUNG LINKS
56	22551575/ 0	2	PIASTRINA INTERNA	INSIDE PLAQUE	PLAQUETTE INTERNE	INNERE PLATTE
57	12793701/ 0	2	VITE	SCREW	VIS	SCHRAUBE
58	12155000/ 0	2	DADO	NUT	ECROU	MUTTER
59	12521350/ 0	2	RONDELLA	WASHER	RONDELLE	SCHIEBE
60	12691810/ 0	2	MANOPOLINA	KNOB	POIGNÉE	GRIF
62	12293202/ 0	2	DADO	NUT	ECROU	MUTTER
—	81008622/ 0	1	DOTAZ. VITERIA	SCREWS OUTFIT	DOTATION VISSERIE	SCHRAUBEN SATZ

RUOTE E REGOLAZIONE

WHEELS AND HEIGHT ADJUSTING

ROUES ET REGLAGE HAUTEUR DE COUPE

RÄDER UND SCHNITTHÖHEVERSTELLUNG



D-3633/F





T-3633/ F

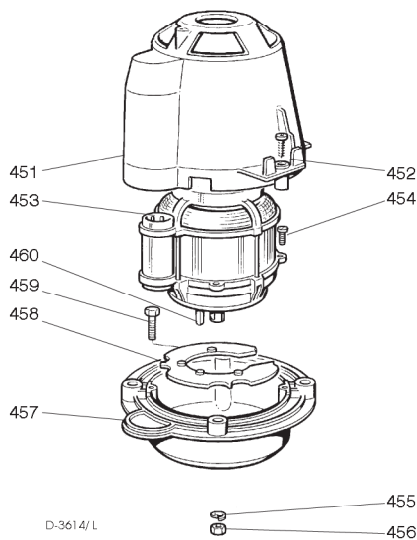
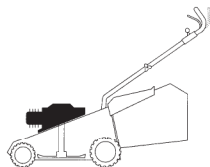
Pos. Nr.	Codice Code Kodex	Q.tà Q.ty-Q.tè Menge	Descrizione	Description	Description	Beschreibung
251			COPRIMOZZO	HUB CAP	COUVRE-MOYEU	RADKAPPE
—	22110282/ 0	2	BIANCO	WHITE	BLANC	WEIßE
—	22110288/ 0	2	GIALLO	YELLOW	JAUNE	GELBE
—	22110290/ 0	2	ROSSO	RED	ROUGE	ROTE
252	12155000/ 0	4	DADO	NUT	ECROU	MUTTER
253	12521350/ 0	4	RONDELLA	WASHER	RONDELLE	SCHIEBE
254	22122200/ 0	8	CUSCINETTO	BEARING	COUSSINET	KUGELLAGER
255	81007317/ 0	2	RUOTA SCOLPITA ĩ 170	KNOBBLY WHEEL ĩ 170	ROUE SCULPTEE ĩ 170	RAD M. STOLLENPR. ĩ 170
256			ASSE RUOTE ANTERIORE	FRONT WHEELS AXLE	AXE ROUES AVANT	VORDERRADACHSE
—	81001272/ 0	1	TDL 430 - TDL 430S	TDL 430 - TDL 430S	TDL 430 - TDL 430S	TDL 430 - TDL 430S
—	81001274/ 0	1	TDL 480	TDL 480	TDL 480	TDL 480
257	12436050/ 0	2	PIASTRINA	PLATE	PLAQUETTE	PLÄTTCHEN
258	22446180/ 0	1	MOLLA	SPRING	RESSORT	FEDER1
259			ASTA COMANDO	ADJUSTMENT ROD	TIGE COMMANDE	STELLSTAB
—	81001275/ 0	1	TDL 430	TDL 430	TDL 430	TDL 430
—	81001276/ 0	1	TDL 480	TDL 480	TDL 480	TDL 480
260	81001278/ 0	1	ASSE RUOTE POSTERIORE	REAR WHEELS AXLE	AXE ROUES ARRIERE	HINTERRADACHSE
261	22170800/ 0	1	DISTANZIALE	SPACER	ENTRETOISE	DISTANZRING
262	12154330/ 0	2	DADO	NUT	ECROU	MUTTER
263	12789000/ 0	2	VITE	SCREW	VIS	SCHRAUBE
264	81003283/ 1	1	LEVA REGOLAZIONE	ADJUSTMENT LEVER	LEVIER REGLAGE	VERSTELLUNGHEBEL
265	81007318/ 1	2	RUOTA SCOLPITA Ø 210	KNOBBLY WHEEL Ø 210	ROUE SCULPTEE Ø 210	RAD M. STOLLENPR. Ø 210
266			COPRIMOZZO	HUB CAP	COUVRE-MOYEU	RADKAPPE
—	22110281/ 0	2	BIANCO	WHITE	BLANC	WEIßE
—	22110287/ 0	2	GIALLO	YELLOW	JAUNE	GELBE
—	22110289/ 0	2	ROSSO	RED	ROUGE	ROTE
267	12530150/ 0	4	RONDELLA ELASTICA	ELASTIC WASHER	RONDELLE ELASTIQUE	ELASTISCHE SCHEIBE

GRUPPO MOTORE ELETTRICO

MOTOR ASS.Y

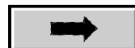
MOTEUR ELECTRIQUE

ELEKTROMOTOR



T-3614/ L

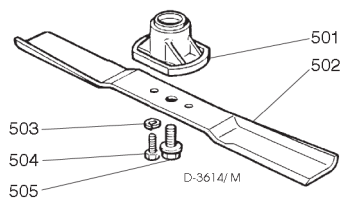
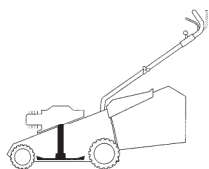
451	22785061/ 0	1	SUPPORTO CAPOTTINA	COVER SUPPORT	SUPPORT CAPOT	HAUBEHALTER
452	12728710/ 0	4	VITE	SCREW	VIS	SCHRAUBE
453			MOTORE	MOTOR	MOTEUR	MOTOR
—	18563068/ 1	1	IBMEI 1300W (230V)	IBMEI 1300W (230V)	IBMEI 1300W (230V)	IBMEI 1300W (230V)
—	18563008/ 0	1	RST 1300W (220-230V)	RST 1300W (220-230V)	RST 1300W (220-230V)	RST 1300W (220-230V)
—	18563069/ 1	1	IBMEI 1300W (240V)	IBMEI 1300W (240V)	IBMEI 1300W (240V)	IBMEI 1300W (240V)
—	18563061/ 2	1	IBMEI 1600W (230V)	IBMEI 1600W (230V)	IBMEI 1600W (230V)	IBMEI 1600W (230V)
—	18563009/ 0	1	RST 1600W (230V)	RST 1600W (230V)	RST 1600W (230V)	RST 1600W (230V)
—	18563047/ 2	1	IBMEI 1600W (240V)	IBMEI 1600W (240V)	IBMEI 1600W (240V)	IBMEI 1600W (240V)
453A	18740049/ 0	1	VENTOLA PER MOTORE IBMEI	IBMEI MOTOR FAN	VENTILATEUR MOTEUR IBMEI	IBMEI MOTOR LÜFTER
—	18740051/ 0	1	VENTOLA PER MOTORE RST	RST MOTOR FAN	VENTILATEUR MOTEUR RST	RST MOTOR LÜFTER
453B	18222037/ 0	1	CONDENSATORE 16 µF	CONDENSER 16 µF	CONDENSEUR 16 µF	KONDENSATOR 16 µF
—	18222038/ 0	1	CONDENSATORE 20 µF	CONDENSER 20 µF	CONDENSEUR 20 µF	KONDENSATOR 20 µF
454	12735410/ 0	4	VITE	SCREW	VIS	SCHRAUBE
455	12583500/ 0	4	GROWER	GROWER	GROWER	FEDERRING
456	12293200/ 0	4	DADO	NUT	ECROU	MUTTER
457	22207211/ 3	1	FLANGIA	FLANGE	BRIDE	FLANSCH
458	22720360/ 1	1	SCHERMO VENTILAZIONE	VENTILATION SCREEN	ECRAN VENTILATION	LÜFTUNGSSCHIRM
459	12793700/ 0	4	VITE	SCREW	VIS	SCHRAUBE
460	12139440/ 0	1	LINGUETTA	FEATHER	CLAVETTE	KEIL





Pos. Nr.	Codice Code Kodex	Q.tà Q.ty-Q.tè Menge	Descrizione	Description	Description	Beschreibung
----------	-------------------	----------------------	-------------	-------------	-------------	--------------

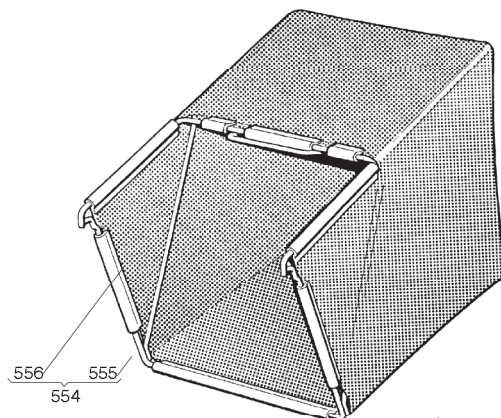
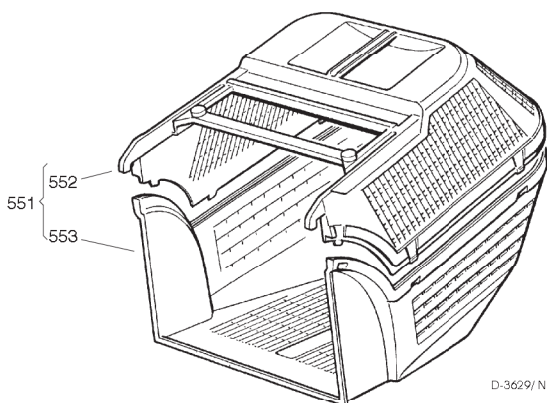
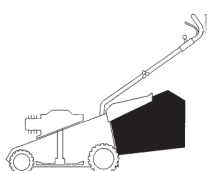
- GRUPPO COLTELLO
- BLADE ASS.Y
- GROUPE LAME
- MESSERSATZ



T-3661/M

501	22463186/ 2	1	MOZZO	HUB	MOYEU	NABE
502			COLTELLO	BLADE	LAME	MESSER
—	81004341/ 2	1	STANDARD 41 cm.	STANDARD 41 cm.	STANDARD 41 cm.	STANDARD 41 cm.
—	81004396/ 0	1	ALETTATO 41 cm.	WINGED 41 cm.	AILETTÉE 41 cm.	FLÜGEL 41 cm.
—	81004346/ 2	1	STANDARD 46 cm.	STANDARD 46 cm.	STANDARD 46 cm.	STANDARD 46 cm.
—	81004397/ 0	1	ALETTATO 46 cm.	WINGED 46 cm.	AILETTÉE 46 cm.	FLÜGEL 46 cm.
503	12583500/ 0	2	GROWER	GROWER	GROWER	FEDERRING
504	12793101/ 0	2	VITE	SCREW	VIS	SCHRAUBE
505	81004352/ 0	1	VITE	SCREW	VIS	SCHRAUBE

- SACCO RACCOGLIERBA
- GRASS-CATCHER
- BAC DE RAMASSAGE
- GRASFANGKORB



T-3629/N

551	94004000/ 0	1	SACCO COMPLETO	COMPLETE GRASS BOX	BAC COMPLET	KOMPLETTER KORB
552	22486073/ 0	1	PORTE SUPERIORE SACCO	UPPER GRASS-BOX	PARTIE SUPERIEURE SAC	OBERKORB
553	22486074/ 0	1	PORTE INFERIORE SACCO	LOWER GRASS-BOX	PARTIE INFERIEURE SAC	UNTERKORB
554	94005000/ 0	1	ASSIEME SACCO TELA	CANVASS GRASSCATCHER	ENSEMBLE SAC EN TOILE	KOMPLETTER SACK
			ASS.Y	ASS.Y		
555	81006418/ 0	1	TELAIO	CHASSIS	CHÂSSIS	RAHMEN
556	81002105/ 2	1	TCLA SACCO	FABRIC BOX	TOILE POUR SAC	TUCK FÜR SACK